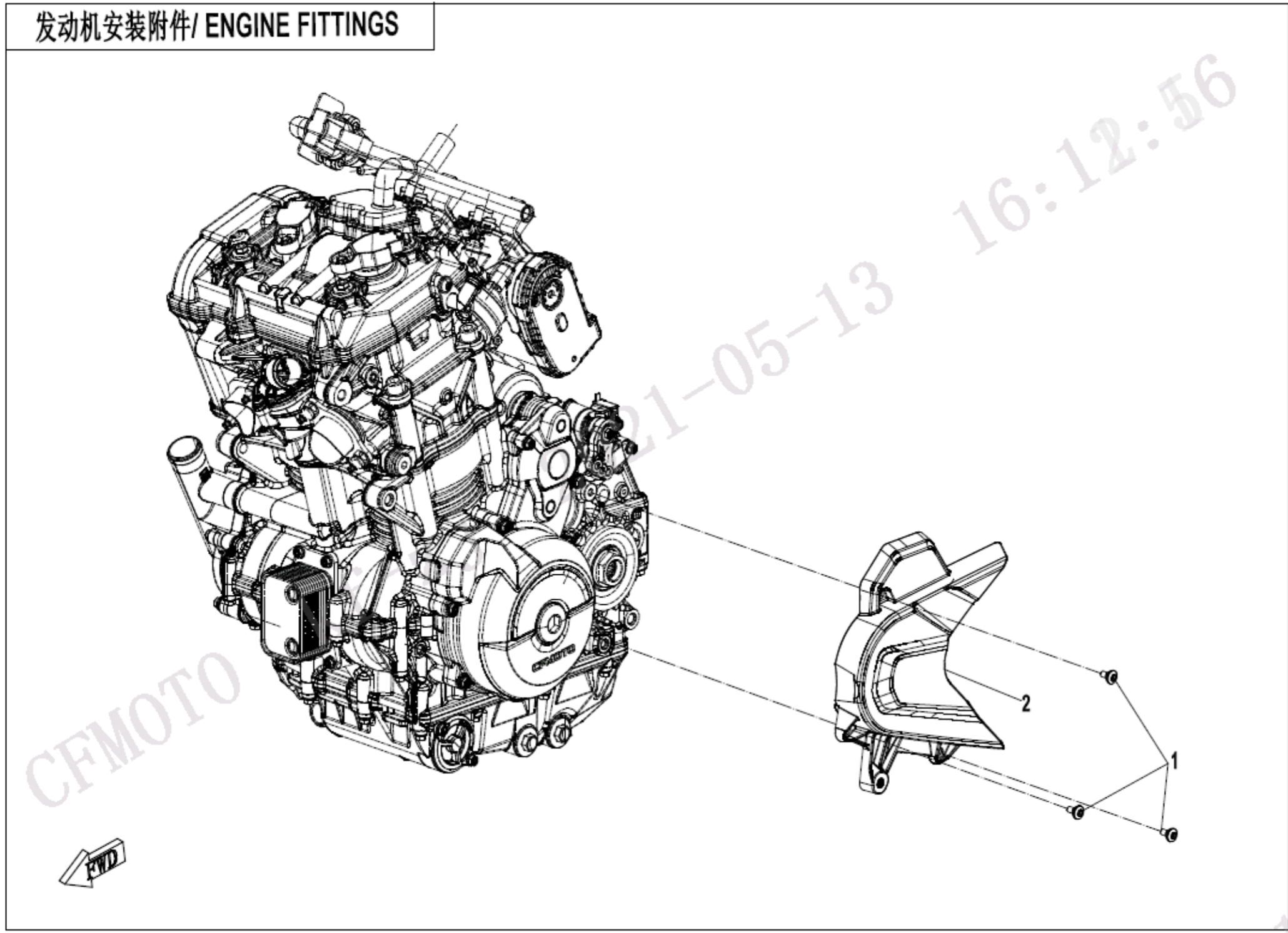
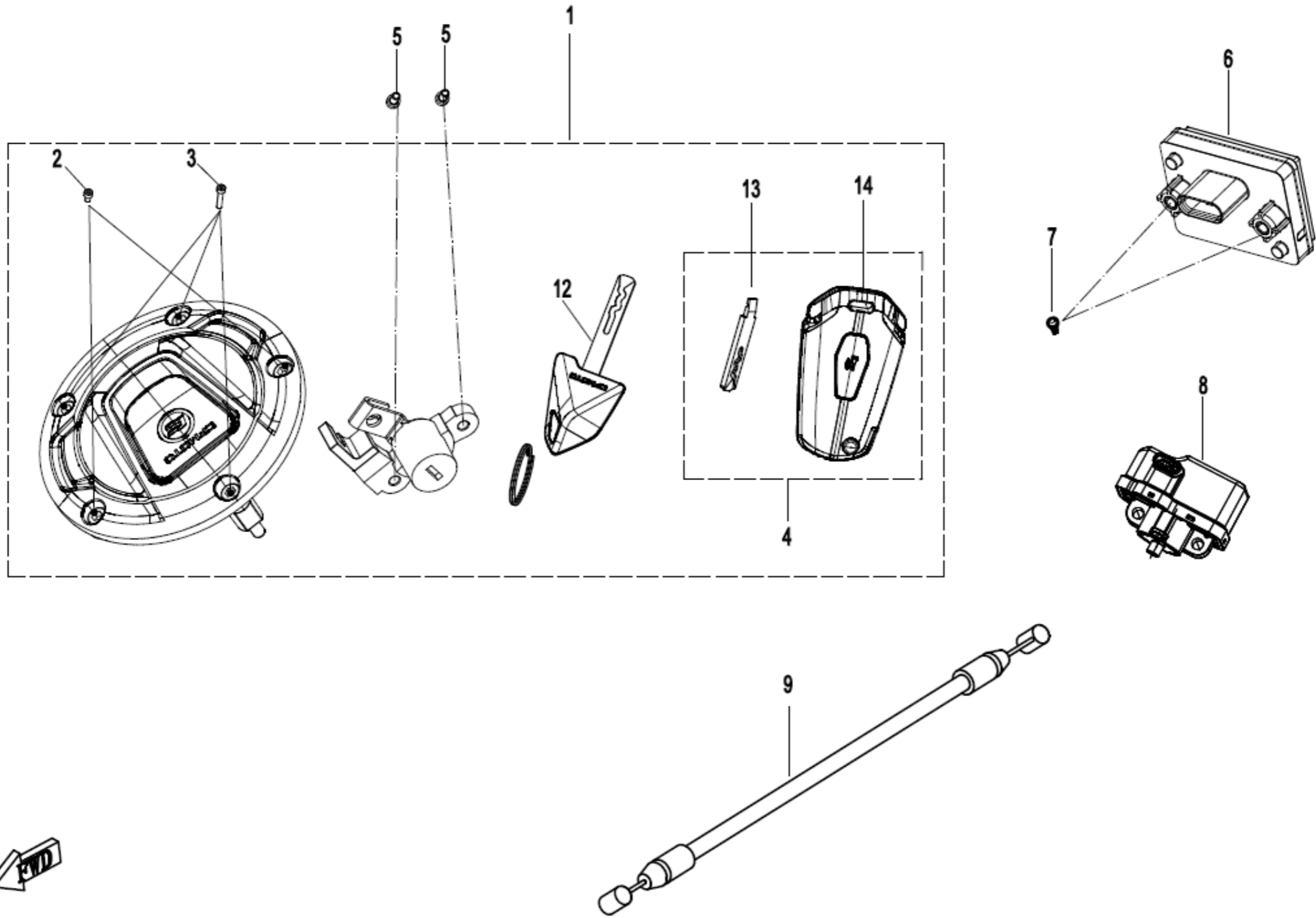


发动机安装附件/ ENGINE FITTINGS



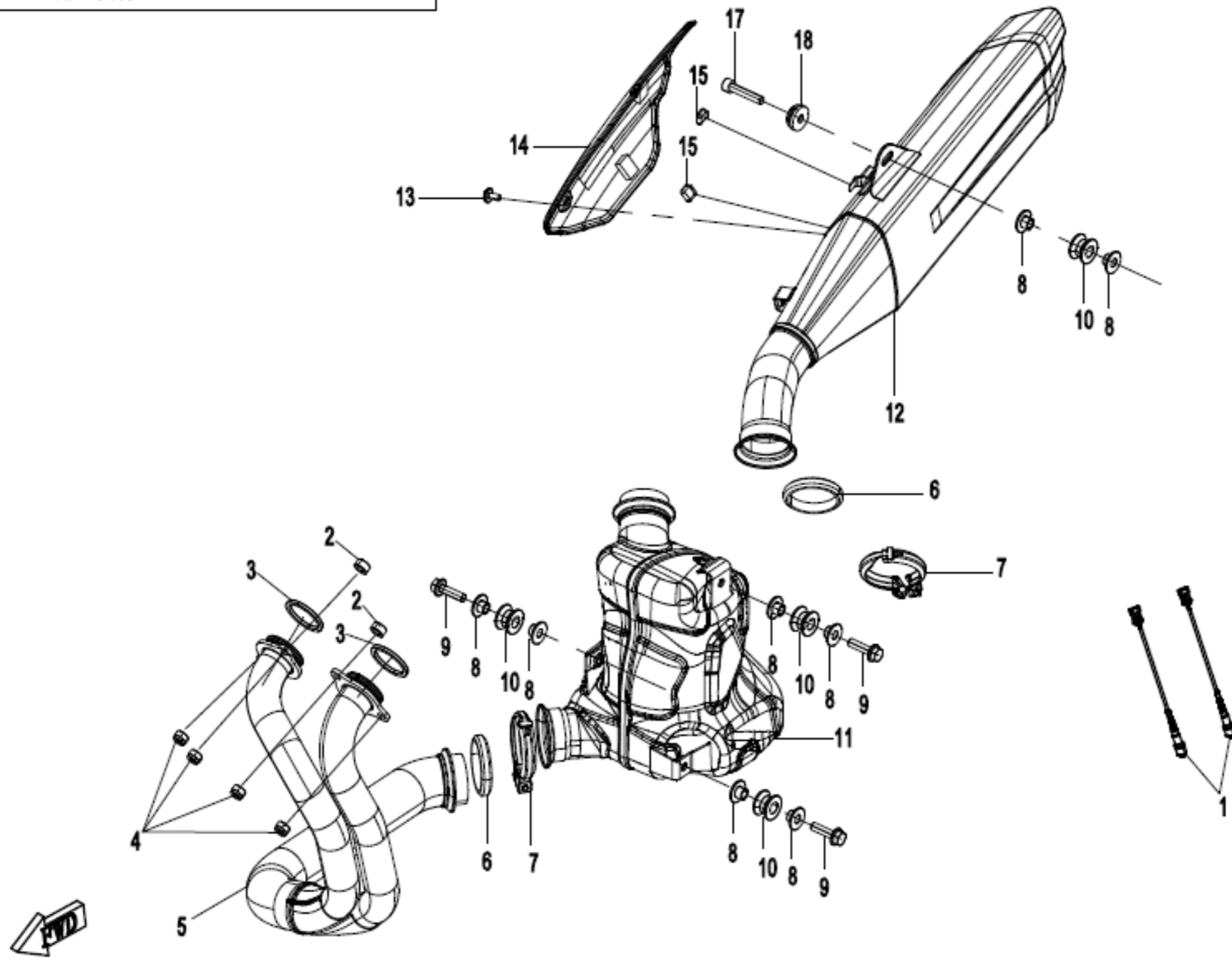
Item No.	Parts Number	Parts Name(EN)	Parts Name(CN)	Qty	Remark(s)
F00-1	6WWV-046502-5000	STEPPED SCREW M5	M5组合台阶螺钉	3	
F00-2	6WWV-000102-5000	GUARD, SMALL SPROCKET	小链轮护罩	1	

锁具/LOCK KIT



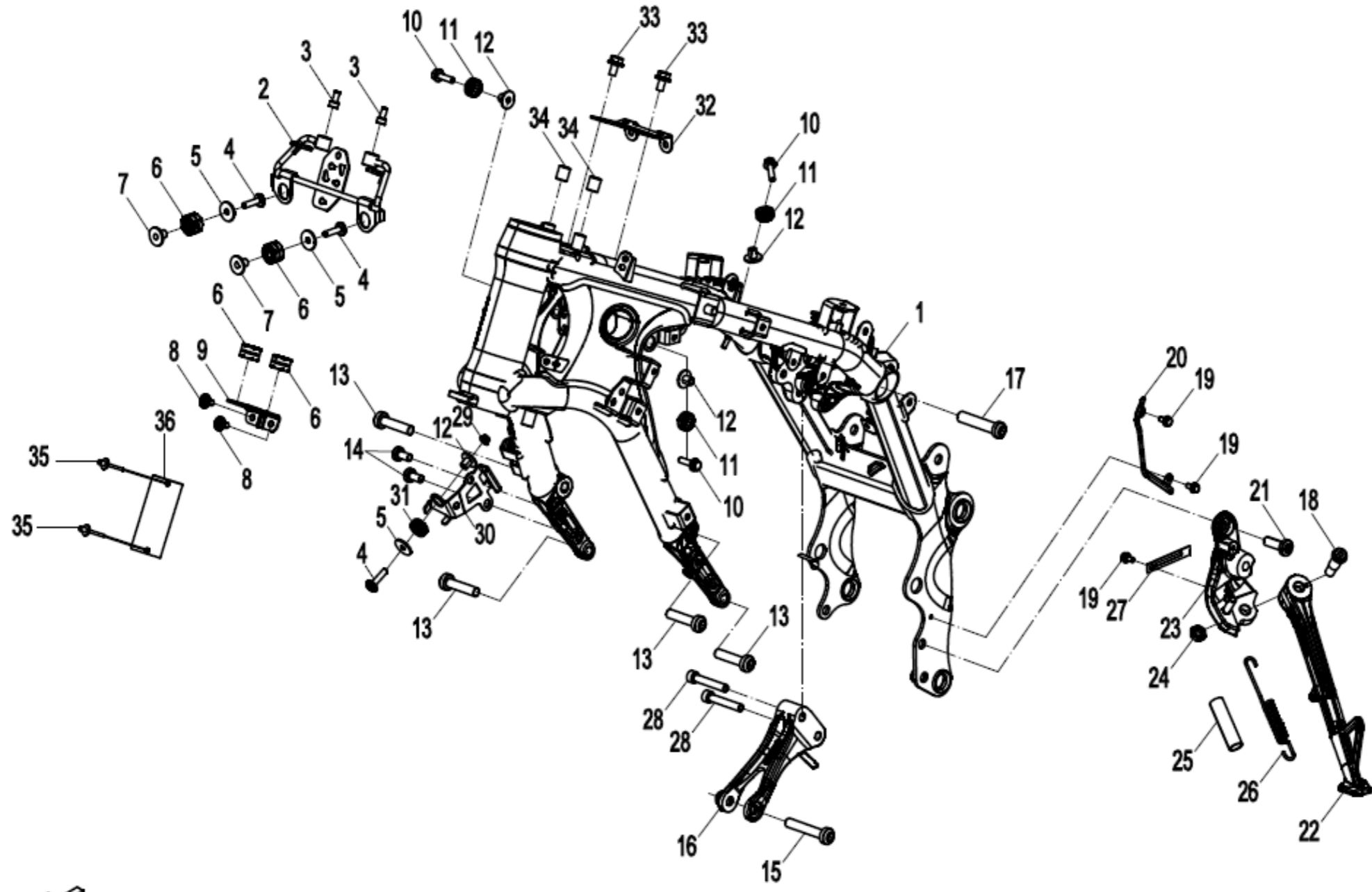
Item No.	Parts Number	Parts Name(EN)	Parts Name(CN)	Qty	Remark(s)
F01-B-1	6KWV-011200-1001	LOCK KIT	机械锁具组合	1	WHITE BIKE
F01-B-1	6KWV-011200-1101	LOCK KIT	机械锁具组合	1	BLACK BIKE
F01-B-2	30102-050008900	INNER HEX SCREW M5x8	内六角圆柱头螺钉	2	
F01-B-3	30102-050025900	INNER HEX SCREW M5x25	内六角圆柱头螺钉	3	
F01-B-4	6KWV-016500-1100	BLUETOOTH KEY ASSY	蓝牙钥匙总成	1	
F01-B-5	30102-050012810	SCREW M5x12	螺钉	2	
F01-B-6	6KWV-016300-1100	KEY ENODEB	钥匙基站	1	
F01-B-7	6WWV-046502-5000	STEPPED SCREW M5	M5组合台阶螺钉	2	
F01-B-8	6KWV-016200-1100	ELECTRONIC STEM LOCK	电子龙头锁	1	
F01-B-9	6KWV-010010-1000	SEAT CABLE	座垫拉索	1	
F01-B-10	6GU#-010320-6000	LOCK SEAT, SEAT	坐垫锁座	1	
F01-B-11	30006-060016870	BOLT M6x16	螺栓	2	
F01-B-12	EB8V-010120-1000	KEY	钥匙	1	
F01-B-13	6KMV-011020-B001-22	KEY BILLET	钥匙坯	1	
F01-B-14	6KWV-011130-1100	BLUETOOTH REMOTE KEY	蓝牙遥控钥匙	1	

排气消声器/ MUFFLER



Item No.	Parts Number	Parts Name(EN)	Parts Name(CN)	Qty	Remark(s)
F02-1	0HU0-176000	OXYGEN SENSOR	氧传感器	2	
F02-2	6WWV-020001-5000	BUSHING, EXHAUST PORT	排气口衬套	2	
F02-3	6WWV-020004-5000	SEAL GASKET, EXHAUST	排气密封垫	2	
F02-4	K-51010086100	SELF-LOCKING NUT M8 CU	自锁螺母M8	4	
F02-5	6WWV-021100-5001	EXHAUST PIPE ASSY	排气管焊接组件	1	
F02-6	6L30-021001	SEAL SLEEVE 1, GRAPHITE	石墨密封套 I	2	
F02-7	C63605058100	CLAMP	抱箍	2	
F02-8	6WWV-020002-5000	BUSHING, MUFFLER BODY	筒体安装衬套	8	
F02-9	30006-080030810	BOLT M8x30	螺栓	3	
F02-10	6WWV-020003-5000	RUBBER SLEEVE, MUFFLER BODY	筒体橡胶套	4	
F02-11	6KWV-021200-1002	FRONT MUFFLER BODY	前筒体焊接组件	1	
F02-12	6KWV-021300-1001	REAR MUFFLER ASSY	尾筒体焊接组件	1	
F02-13	6WWV-046702-5000	INNER HEX SCREW M6x12	M6x12内六角螺钉	1	
F02-14	6KWV-021001-1000	MUFFLER GUARD	消声器护罩	1	
F02-15	6GU#-021005-6000	GUARD RUBBER SLEEVE	护罩橡胶套	2	
F02-16	30204-080810	NUT M8	螺母	1	
F02-17	30102-080040810	SCREW M8x40	螺钉	1	

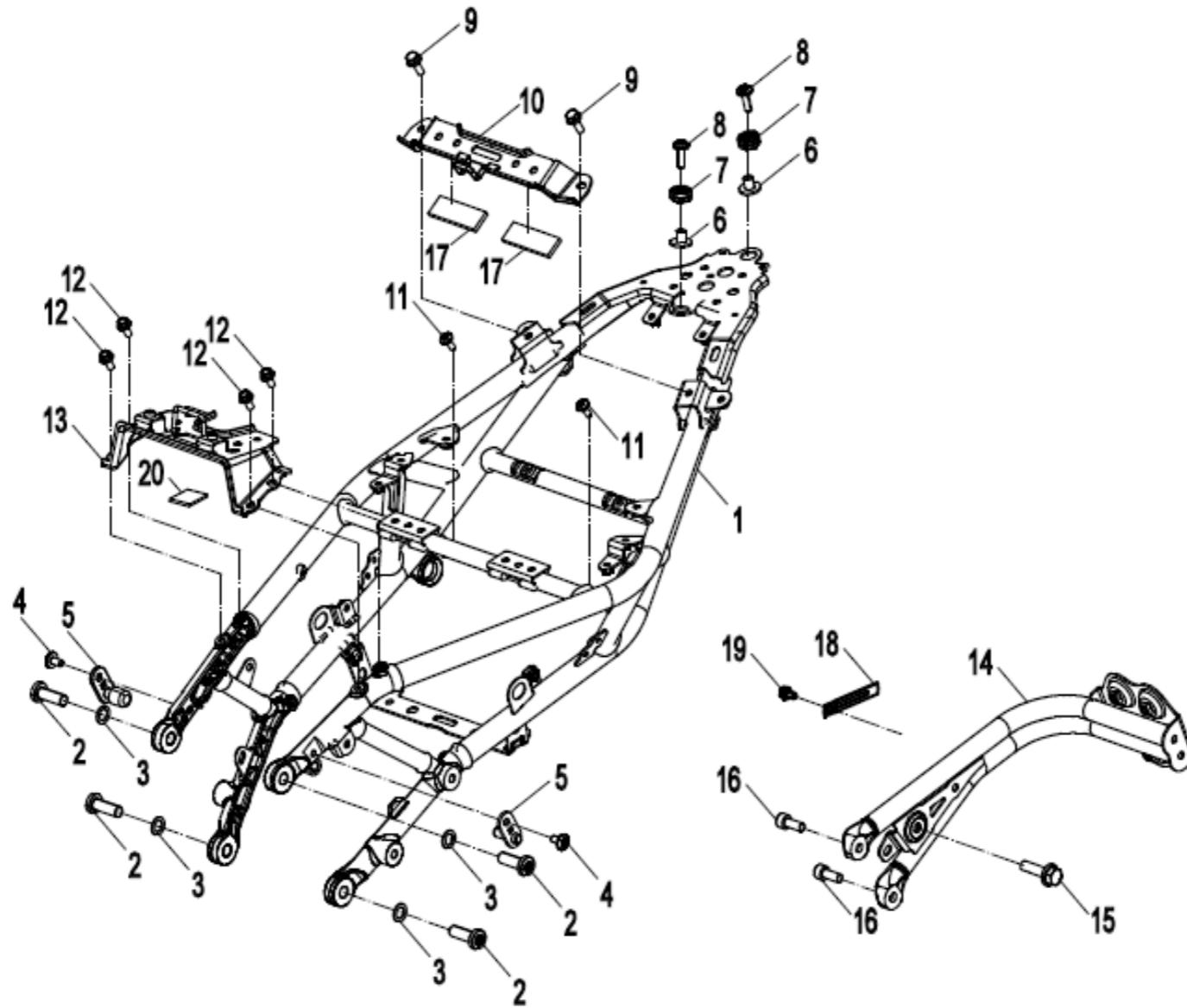
主车架/ MAIN FRAME



Item No.	Parts Number	Parts Name(EN)	Parts Name(CN)	Qty	Remark(s)
F03-1-01	6KWV-031000-1000-0BP00	FRONT FRAME ASSY	主车架焊接组件	1	
F03-1-02	6KWV-030050-1001	HEADLIGHT UPPER BRACKET	前大灯上安装支架	1	
F03-1-03	30102-060012810	SCREW	内六角螺钉M6X12	2	
F03-1-04	6WWV-047002-5000	INNER HEX SCREW M6x25	M6x25内六角螺钉	3	
F03-1-05	30301-060470	RETAINER	垫圈	3	
F03-1-06	6KWV-030003-1000	HEADLIGHT BRACKET SLEEVE	前照灯支架安装胶套	4	
F03-1-07	6KM0-120010	T-TYPE BUSHING ASSY	T型衬套组合	2	
F03-1-08	6WWV-046702-5000	INNER HEX SCREW M6x12	M6x12内六角螺钉	2	
F03-1-09	6KWV-030002-1000	HEADLIGHT LOWER BRACKET	前大灯下安装座	1	
F03-1-10	30006-060022810	BOLT	螺栓	3	
F03-1-11	6KM#-181001-8001	DAMPING RUBBER MAT	减震胶垫	3	
F03-1-12	9060-180029	RUBBER CUSHION TUBE, RADIATOR	散热器缓冲胶套套管	4	
F03-1-13	6WWV-030011-5000	INNER HEX SCREW M10x45	内六角螺钉M10X45	4	
F03-1-14	6WWV-030013-5000	INNER HEX SCREW M8x16	内六角螺钉M8X16	2	
F03-1-15	6L30-030091	BOLT M10x60	悬挂螺栓	1	
F03-1-16	6WWV-030009-5000	ENGINE HANGING BRACKET	发动机吊架	1	
F03-1-17	6WWV-030018-5000	BOLT M12x60	螺栓 M12X60	1	
F03-1-18	6GU#-030008-6000	BOLT, SIDE BRACKET	侧支架螺栓	1	
F03-1-19	30006-050012810	BOLT M5x12	螺栓	3	
F03-1-20	6WWV-030003-5000	BRACKET, SIDE STAND SWITCH CABLE	边撑熄火开关线缆固定支架	1	
F03-1-21	6WWV-030017-5000	INNER HEX SCREW M10x30	内六角花形螺钉M10X30	1	
F03-1-22	6KWV-030001-1000	SIDE STAND	侧支架	1	WHITE BIKE
F03-1-22	6KWV-030001-1000-10	SIDE STAND	侧支架	1	BLACK BIKE
F03-1-23	6KWV-030010-1000	SIDE STAND BRACKET	侧支架安装座	1	
F03-1-24	30208-102810	NUT M10x1.25	螺母	1	
F03-1-25	6L30-030071-10000	SPRING SLEEVE, SIDE BRACKET	侧支架弹簧护套	1	
F03-1-26	6L32-030050	SPRING, SIDE BRACKET	侧支架弹簧	1	
F03-1-27	0180-014010	WIRE CLIP	线夹组合	1	
F03-1-28	30102-080050810	INNER HEX SCREW M8x50	内六角螺钉M8X50	2	
F03-1-29	30204-060870	NUT M6	螺母M6	1	
F03-1-30	6KWV-030060-1000	HORN BRACKET	喇叭安装座	1	
F03-1-31	6WWV-030019-5000	RUBBER BUSHING	缓冲橡胶套	1	
F03-1-32	6KWV-030070-1000	ROLL-OVER SENSOR SEAT	侧倾传感器安装座	1	

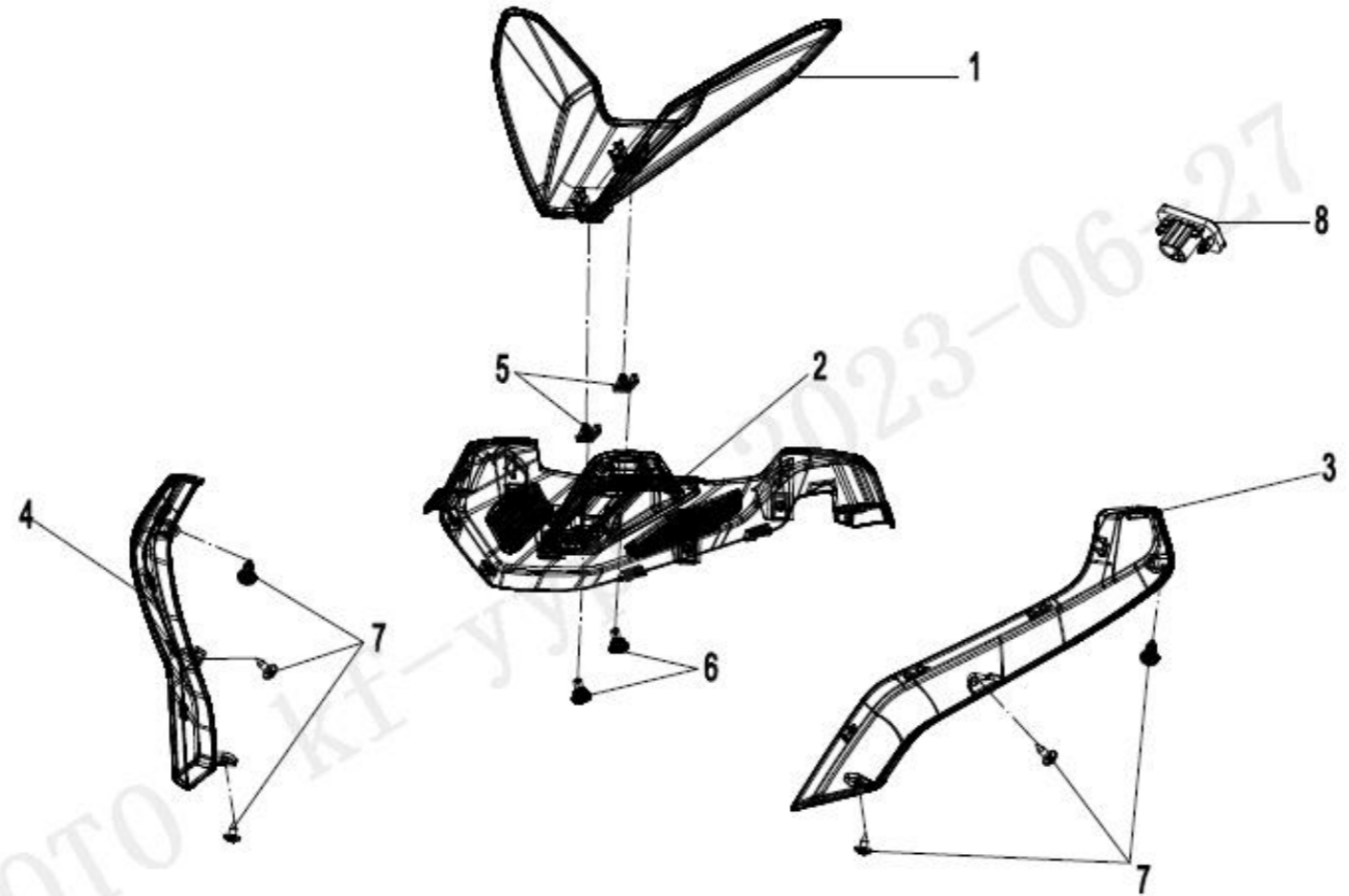
Item No.	Parts Number	Parts Name(EN)	Parts Name(CN)	Qty	Remark(s)
F03-1-33	30006-060012870	BOLT M6x12	螺栓M6x12	2	ALT:- 30006-060012810
F03-1-34	6KWV-030004-1000	POWER LOCK BUSHING	电源锁安装衬套	2	
F03-1-35	30902-0401320	BLIND RIVET 4x8	抽芯铆钉	2	
F03-1-36	6WWV-190012-5000	VIN PLATE	车辆铭牌	1	

副车架/ REAR FRAME



Item No.	Parts Number	Parts Name(EN)	Parts Name(CN)	Qty	Remark(s)
F03-2-1	6KWV-032000-1000-0YJ00	REAR FRAME ASSY	副车架焊接组件	1	WHITE BIKE
F03-2-1	6KWV-032000-1000-0DH00	REAR FRAME ASSY	副车架焊接组件	1	BLACK BIKE
F03-2-2	6WWV-030017-5000	INNER HEX SCREW M10x30	内六角花形螺钉M10X30	4	
F03-2-3	6WWV-030023-5000	NORDLOCK_WASHER_M10	双叠自锁垫圈组合M10	4	
F03-2-4	6WWV-046702-5000	INNER HEX SCREW M6x12	M6x12内六角螺钉	2	
F03-2-5	6WWV-030070-5000	AIR FILTER MOUNTING ASSY	空滤器安装组件	2	
F03-2-6	9060-180029	RUBBER CUSHION TUBE, RADIATOR	散热器缓冲胶套套管	2	
F03-2-7	6WWV-030019-5000	RUBBER BUSHING	缓冲橡胶套	2	
F03-2-8	6WWV-046902-5000	INNER HEX SCREW M6x20	M6x20内六角螺钉	2	
F03-2-9	30006-060016810	BOLT M6x16	螺栓	2	
F03-2-9	30006-060016870	BOLT M6x16	螺栓	2	
F03-2-10	6KWV-030040-1000	FRONT SEAT REAR BRACKET	前坐垫后支撑座	1	
F03-2-11	6WWV-047102-5000	INNER HEX SCREW M5x14	M5x14内六角螺钉	2	
F03-2-12	0010-021019-0010	BOLT M6x12	螺栓	4	
F03-2-13	6KWV-030030-1000	FRONT SEAT FRONT BRACKET	前坐垫前支撑座	1	
F03-2-14	6GU#-030200-6000	BRACKET, REAR FENDER	后挡泥板支架焊接组件	1	
F03-2-15	30006-080025810	BOLT M8x25	螺栓	1	
F03-2-16	30102-080020810	SCREW M8x20	螺钉	2	
F03-2-17	FB6V-042042-1000	BATTERY SPONGE FILL	蓄电池海绵垫-60x20x4	2	
F03-2-18	0180-014010	WIRE CLIP	线夹组合	1	
F03-2-19	30006-060012870	BOLT M6x12	螺栓M6x12	2	
F03-2-20	6KWV-041115-1000	CUSHION MAT	防摩擦缓冲垫	1	

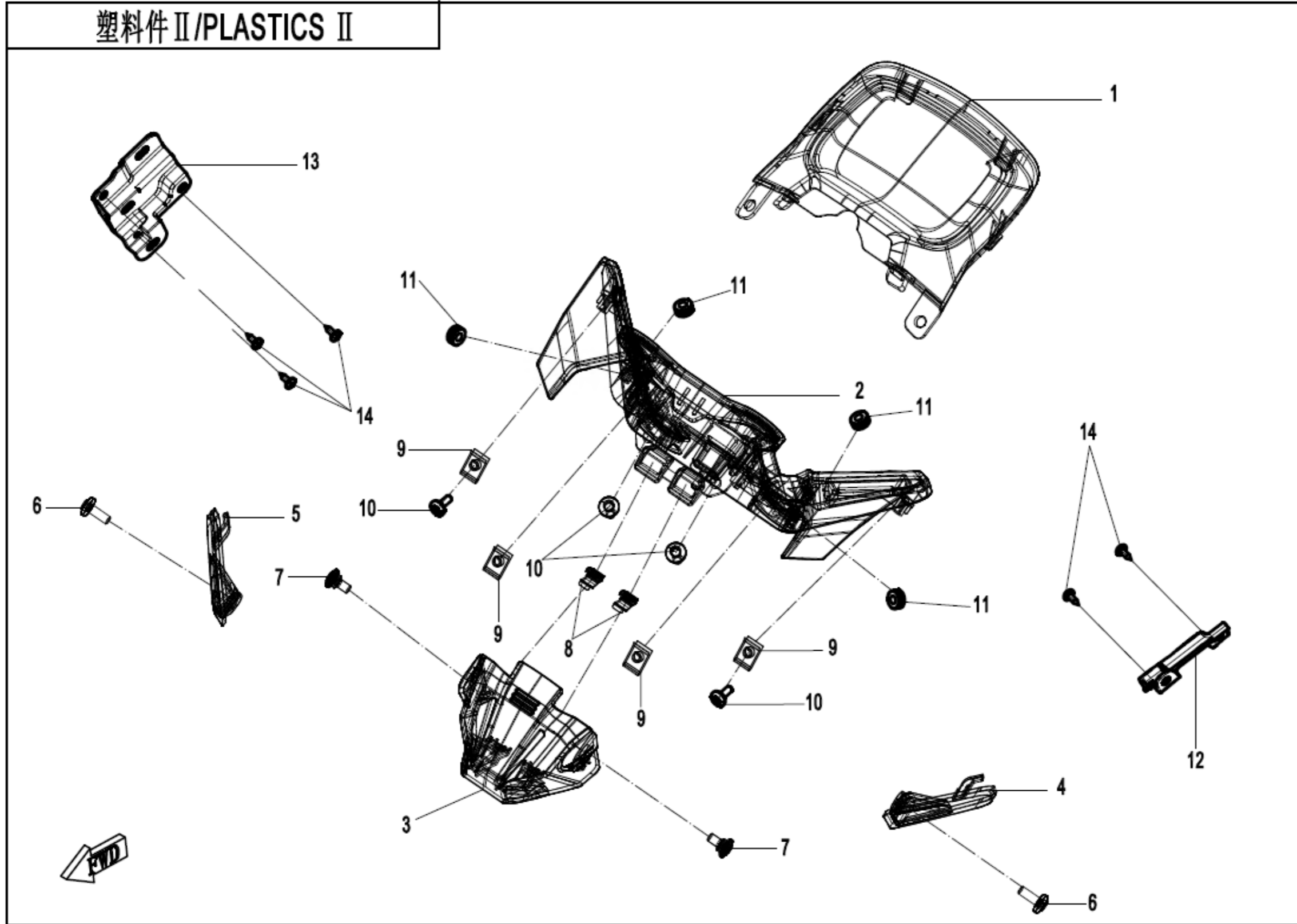
塑料件 I /PLASTICS I



CFMOTO 2023-06-27 14:23

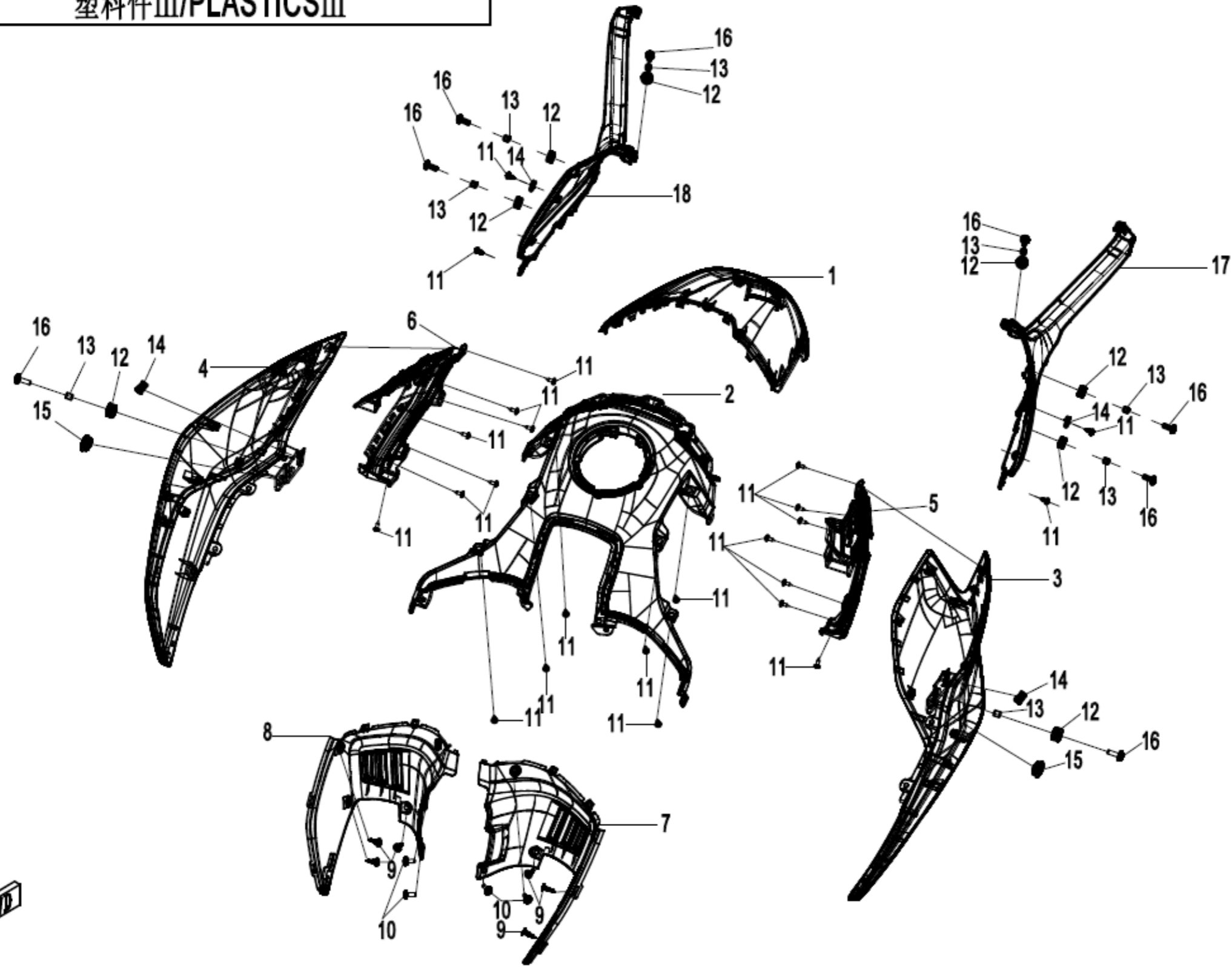
Item No.	Parts Number	Parts Name(EN)	Parts Name(CN)	Qty	Remark(s)
F04-1-01	6KWV-040201-1001	DEFLECTOR DECO GUARD	导流装饰罩	1	
F04-1-02	6KWV-040202-1000	HEADLIGHT UPPER DECO GUARD	前大灯上装饰罩	1	
F04-1-03	6KWV-040203-1000-0HD00	HEADLIGHT LH DECO GUARD	前大灯左装饰罩	1	WHITE BIKE
F04-1-03	6KWV-040203-1000-0D500	HEADLIGHT LH DECO GUARD	前大灯左装饰罩	1	BLACK BIKE
F04-1-04	6KWV-040204-1000-0HD00	HEADLIGHT RH DECO GUARD	前大灯右装饰罩	1	WHITE BIKE
F04-1-04	6KWV-040204-1000-0D500	HEADLIGHT RH DECO GUARD	前大灯右装饰罩	1	BLACK BIKE
F04-1-05	6KM#-040081-8000-M1	NUT CLIP M5	M5螺母夹	2	
F04-1-06	6WWV-046501-5000	SCREW	M5组合台阶螺钉	2	
F04-1-07	30110-420130070	SELF-TAPPING SCREW ST4.2x13-C-H	自攻螺钉	6	
F04-1-08	6AQV-041117-1002	USB PLUG COVER	USB堵盖	1	

塑料件 II / PLASTICS II



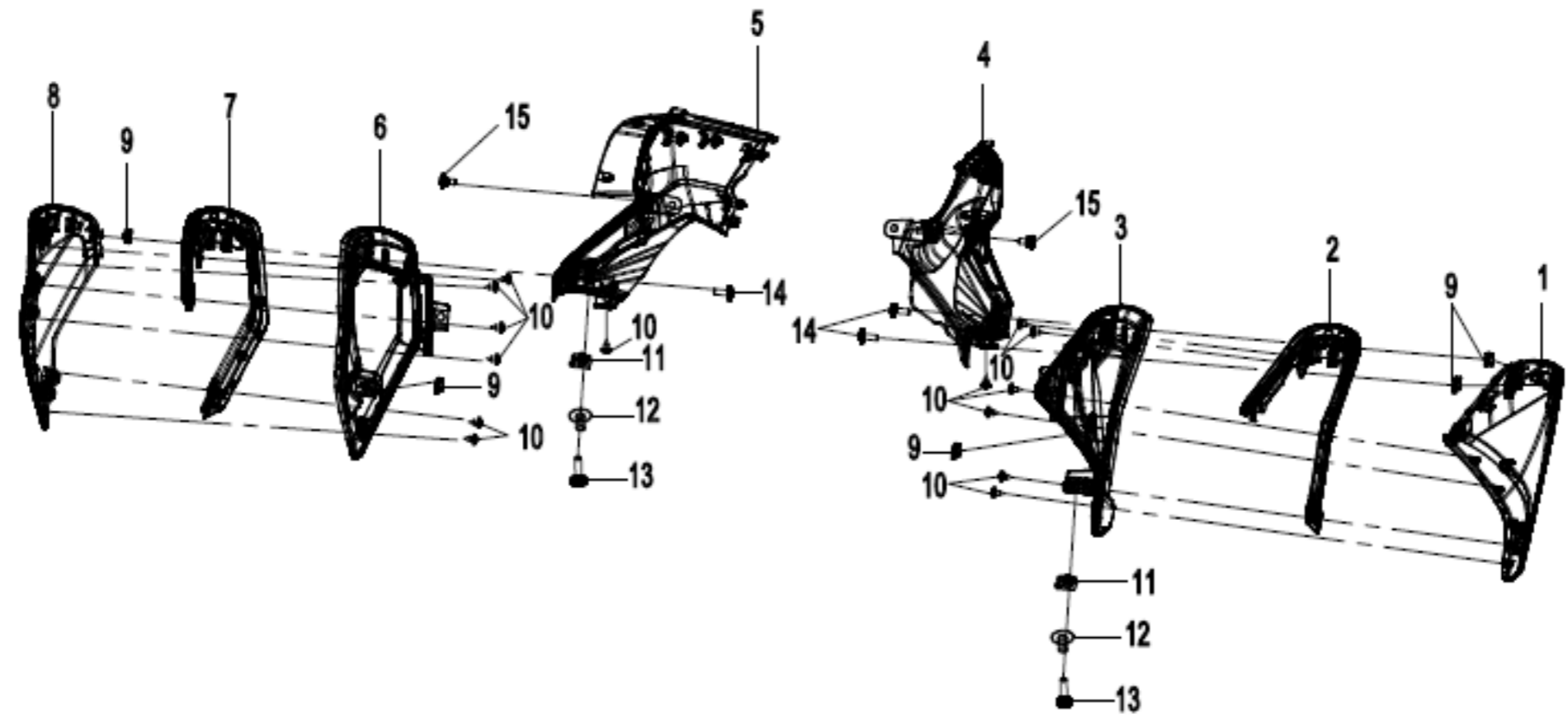
Item No.	Parts Number	Parts Name(EN)	Parts Name(CN)	Qty	Remark(s)
F04-2-B-1	6KWV-040412-1101	IGNITION LOCK DECO GUARD	点火锁装饰罩_高配	1	
F04-2-B-2	6KWV-040301-1101	DASHBOARD BRACKET	仪表安装支架_高配	1	
F04-2-B-3	6KWV-040302-1100	DASHBOARD DECO GUARD	仪表装饰罩_高配	1	
F04-2-B-4	6KWV-040306-1100	LH AMBIENT LIGHT DECO GUARD	左氛围灯装饰罩	1	
F04-2-B-5	6KWV-040307-1100	RH AMBIENT LIGHT DECO GUARD	右氛围灯装饰罩	1	
F04-2-B-6	6WWV-047102-5000	INNER HEX SCREW M5x14	M5x14内六角螺钉	2	
F04-2-B-7	6WWV-046502-5000	STEPPED SCREW M5	M5组合台阶螺钉	2	
F04-2-B-8	8080-000001	CLASP	卡扣	2	
F04-2-B-9	6KM#-040081-8000-M1	NUT CLIP M5	M5螺母夹	4	
F04-2-B-10	6WWV-047102-5000	INNER HEX SCREW M5x14	M5x14内六角螺钉	4	
F04-2-B-11	6KWV-040305-1100	DASHBOARD RUBBER	仪表安装橡胶	4	
F04-2-B-12	6KWV-041110-1100	KEY ENODEB BRACKET	钥匙基站安装支架	1	
F04-2-B-13	6KWV-041111-1100	AMBIENT LIGHT CABLE BRACKET	氛围灯线束安装支架	1	
F04-2-B-14	30110-421130010	SCREW ST4.2x13	自攻螺钉	5	

塑料件III/PLASTICSIII



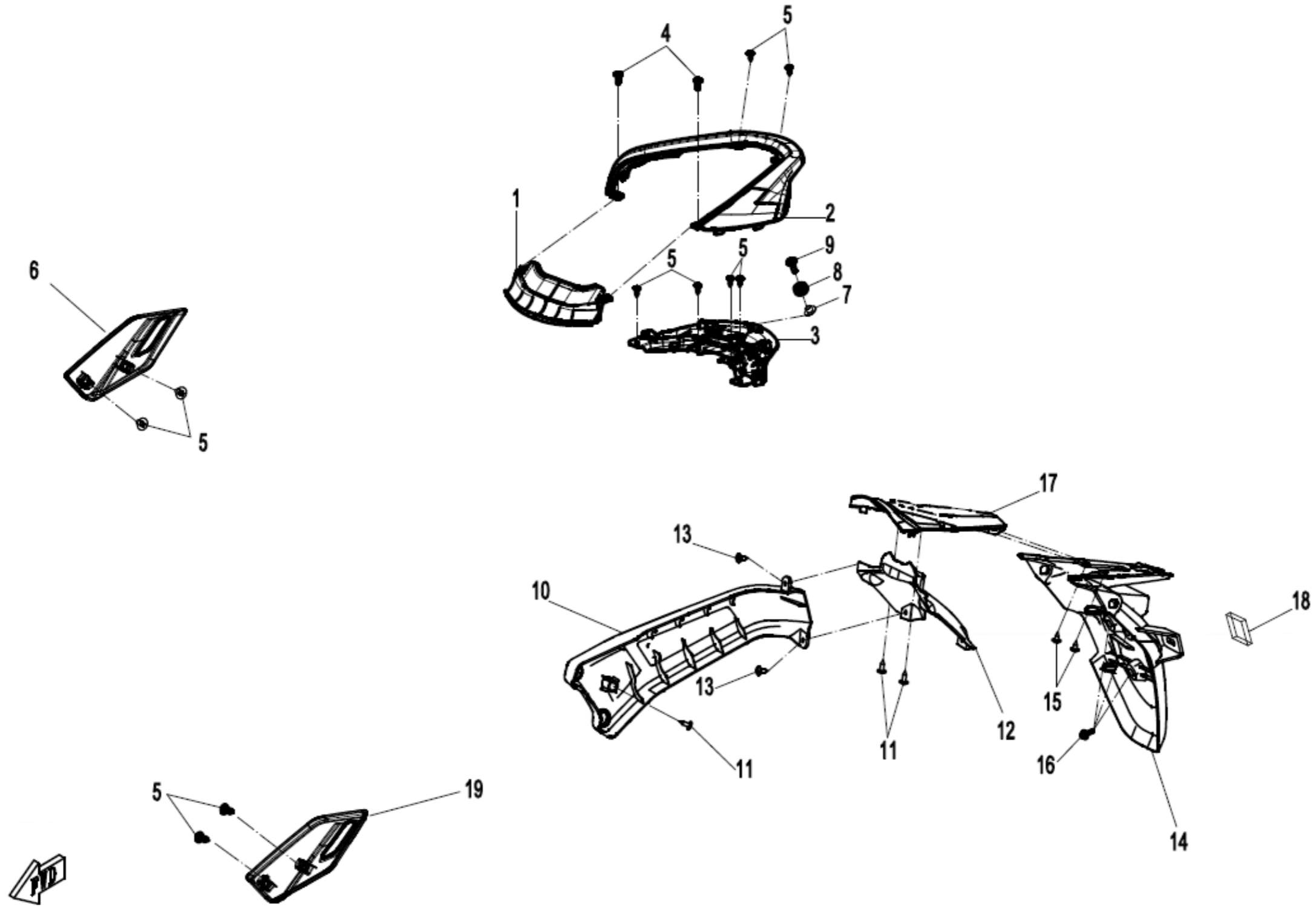
Item No.	Parts Number	Parts Name(EN)	Parts Name(CN)	Qty	Remark(s)
F04-3-1	6KWV-040419-1000-10	FUEL TANK REAR DECO PLATE DECAL ASSY	油箱后装饰板贴花组合	1	WHITE BIKE
F04-3-1	6KWV-040402-1000-0D000	FUEL TANK REAR DECO PLATE	油箱后装饰板	1	BLACK BIKE
F04-3-2	6KWV-040401-1001	FUEL TANK UPPER DECO PLATE	油箱上装饰板	1	
F04-3-3	6KWV-040403-1000-0D500	FUEL TANK LH DECO PLATE	油箱左装饰板	1	
F04-3-4	6KWV-040404-1000-0D500	FUEL TANK RH DECO PLATE	油箱右装饰板	1	
F04-3-5	6KWV-040405-1000	FUEL TANK LH DECO STRIP	油箱左装饰条	1	
F04-3-6	6KWV-040406-1000	FUEL TANK RH DECO STRIP	油箱右装饰条	1	
F04-3-7	6KWV-040407-1001	FUEL TANK LH FRONT DECO PLATE	油箱左前装饰板	1	
F04-3-8	6KWV-040408-1001	FUEL TANK RH FRONT DECO PLATE	油箱右前装饰板	1	
F04-3-9	8080-041130	PLASTIC SCREW	塑料膨胀螺钉组合	6	
F04-3-10	6WWV-047102-5000	INNER HEX SCREW M5x14	M5x14内六角螺钉	4	
F04-3-11	30110-421130010	SCREW ST4.2x13	自攻螺钉	24	
F04-3-12	6090-040302	RUBBER DAMPER	缓冲胶套	8	
F04-3-13	6090-040303	BUSHING	衬套	8	
F04-3-14	8010-000002	TOOL ST4.2	夹板ST4.2	4	
F04-3-15	8080-040064	DAMPER, FRONT FENDER	前围缓冲橡胶套	2	
F04-3-16	6WWV-046902-5000	INNER HEX SCREW M6x20	M6x20内六角螺钉	8	
F04-3-17	6KWV-040421-1000-10	FUEL TANK LH REAR DECO PLATE DECAL ASSY	油箱左后装饰板贴花组合	1	WHITE BIKE
F04-3-17	6KWV-040409-1000-0D000	FUEL TANK LH REAR DECO PLATE	油箱左后装饰板	1	BLACK BIKE
F04-3-18	6KWV-040420-1000-10	FUEL TANK RH REAR DECO PLATE DECAL ASSY	油箱右后装饰板贴花组合	1	WHITE BIKE
F04-3-18	6KWV-040410-1000-0D000	FUEL TANK RH REAR DECO PLATE	油箱右后装饰板	1	BLACK BIKE

塑料件IV/PLASTICS IV



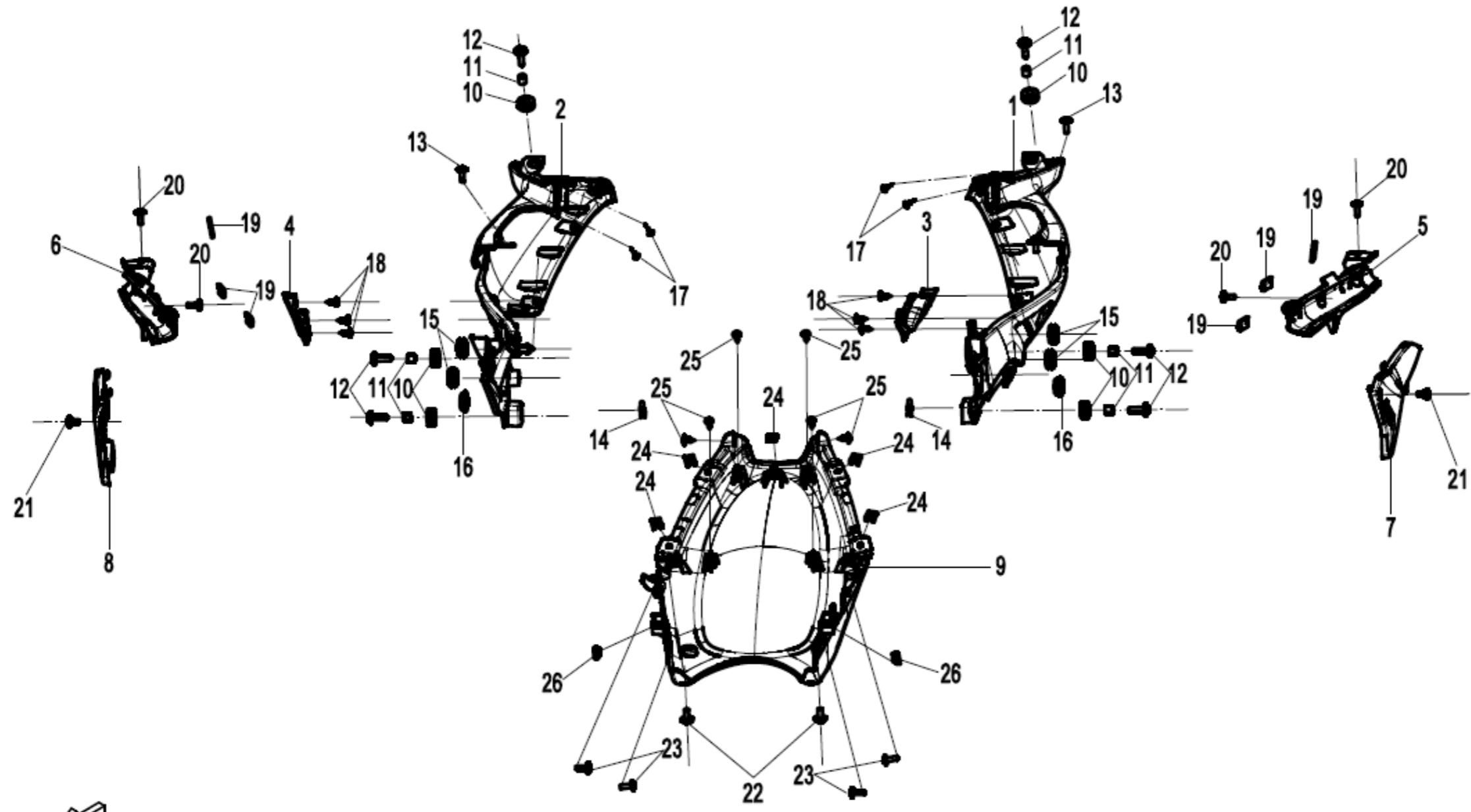
Item No.	Parts Number	Parts Name(EN)	Parts Name(CN)	Qty	Remark(s)
F04-4-1	6KWV-040501-1000	RADIATOR LH DECO PLATE	散热器左装饰板	1	
F04-4-2	6KWV-040503-1000-0YJ00	RADIATOR LH DECO PLATE DECO STRIP	散热器左饰板装饰条	1	WHITE BIKE
F04-4-2	6KWV-040503-1000-0VE00	RADIATOR LH DECO PLATE DECO STRIP	散热器左饰板装饰条	1	BLACK BIKE
F04-4-3	6KWV-040505-1000	LH INNER PLATE, RADIATOR	散热器左内护板	1	
F04-4-4	6KWV-040601-1001	VEHICLE LH FRONT DECO PLATE	车体左前装饰板	1	
F04-4-5	6KWV-040602-1001	VEHICLE RH FRONT DECO PLATE	车体右前装饰板	1	
F04-4-6	6KWV-040506-1000	RH INNER PLATE, RADIATOR	散热器右内护板	1	
F04-4-7	6KWV-040504-1000-0VE00	RADIATOR RH DECO PLATE DECO STRIP	散热器右饰板装饰条	1	WHITE BIKE
F04-4-7	6KWV-040504-1000-0YJ00	RADIATOR RH DECO PLATE DECO STRIP	散热器右饰板装饰条	1	BLACK BIKE
F04-4-8	6KWV-040502-1000	RADIATOR RH DECO PLATE	散热器右装饰板	1	
F04-4-9	6KM#-040081-8000-M1	NUT CLIP M5	M5螺母夹	5	
F04-4-10	30110-420095010	SELF-TAPPING SCREW ST4.2x9.5	自攻螺钉	14	
F04-4-11	8030-040800-00001	NUT CLIP M6	M6螺母夹	2	
F04-4-12	6GU#-000202-6000	T SHAPE BUSHING KIT	T型衬套组合	2	
F04-4-13	6WWV-047001-5000	INNER HEX SCREW M6x25	M6x25内六角螺钉	2	
F04-4-14	6WWV-047102-5000	INNER HEX SCREW M5x14	M5x14内六角螺钉	3	
F04-4-15	6WWV-046502-5000	STEPPED SCREW M5	M5组合台阶螺钉	2	

塑料件 V/PLASTICS V



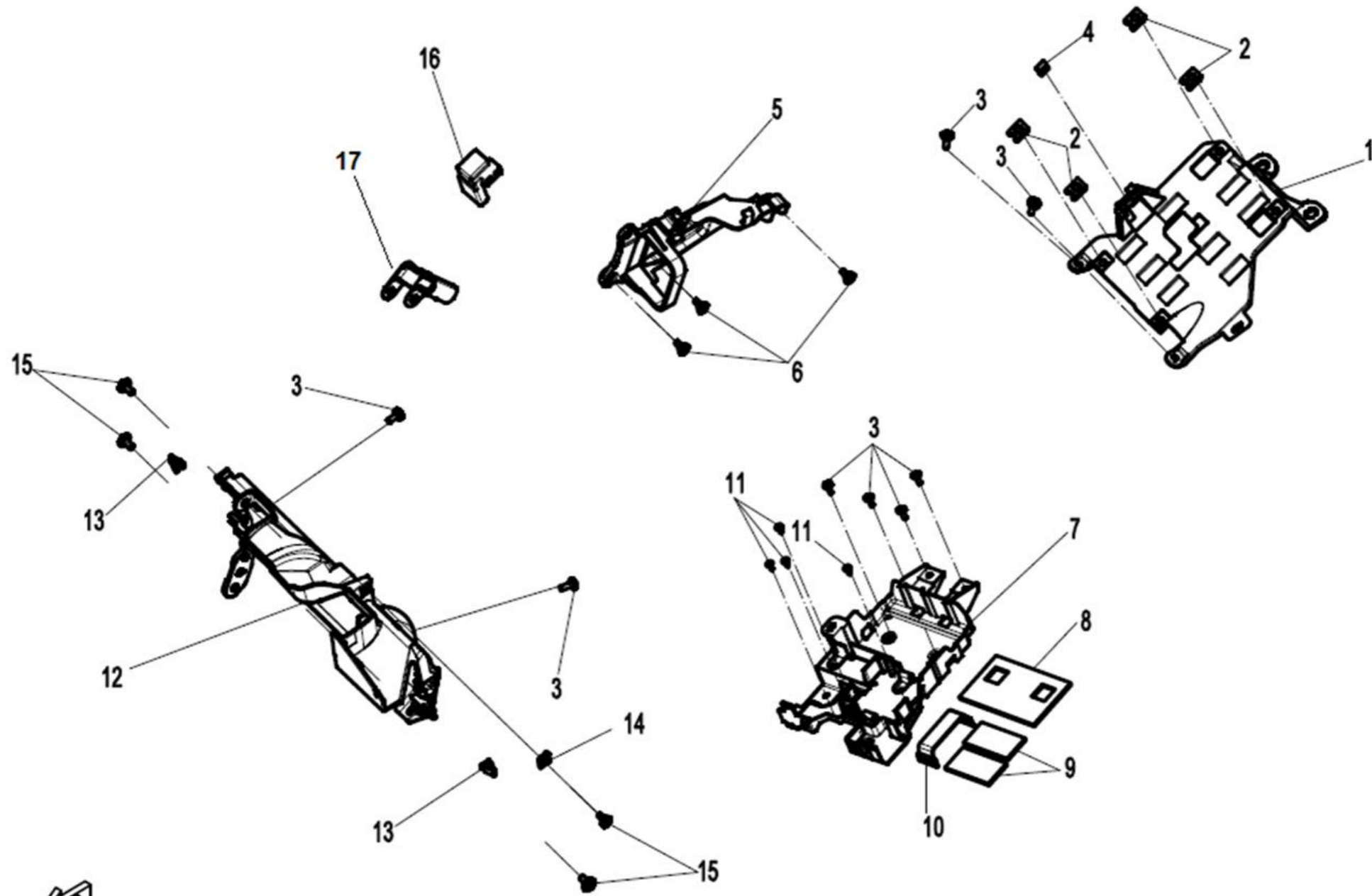
Item No.	Parts Number	Parts Name(EN)	Parts Name(CN)	Qty	Remark(s)
F04-5-1	6KWV-040702-1000	REAR SEAT FRONT DECO PLATE	后坐垫前装饰板	1	
F04-5-2	6KWV-040703-1000-0VE00	REAR SEAT REAR DECO PLATE	后坐垫后装饰板	1	WHITE BIKE
F04-5-2	6KWV-040703-1000-0HD00	REAR SEAT REAR DECO PLATE	后坐垫后装饰板	1	BLACK BIKE
F04-5-3	6KWV-040704-1000-0VE00	REAR SEAT DECO PLATE INNER PLATE	后坐垫饰板内板	1	WHITE BIKE
F04-5-3	6KWV-040704-1000-0HD00	REAR SEAT DECO PLATE INNER PLATE	后坐垫饰板内板	1	BLACK BIKE
F04-5-4	6WWV-047102-5000	INNER HEX SCREW M5x14	M5x14内六角螺钉	2	
F04-5-5	30110-481130010	SELF-TAPPING SCREW ST4.8x13	自攻螺钉	10	
F04-5-6	6KWV-040610-1000	RH FRONT FOOTREST DECO PLATE	右前脚踏装饰板	1	
F04-5-7	9060-180029	RUBBER CUSHION TUBE, RADIATOR	散热器缓冲胶套套管	1	
F04-5-8	6KM#-181001-8001	DAMPING RUBBER MAT	减震胶垫	1	
F04-5-9	6WWV-046902-5000	INNER HEX SCREW M6x20	M6x20内六角螺钉	1	
F04-5-10	6GU#-040036-6001	BRACKET, REAR FENDER	后泥板支撑架	1	
F04-5-11	30110-420130070	SELF-TAPPING SCREW ST4.2x13-C-H	自攻螺钉	3	
F04-5-12	6GU#-040041-6000	INNER LINER, REAR LICENSE	后牌照内衬板	1	
F04-5-13	30110-420160010	SCREW ST4.2x16	自攻螺钉	2	
F04-5-14	6GUV-040037-6003	REAR LICENSE BRACKET	后牌照支撑板	1	
F04-5-15	30110-420095010	SELF-TAPPING SCREW ST4.2x9.5	自攻螺钉	2	
F04-5-16	5HY#-040001-1000	BOLT M6x14	螺栓M6x14	3	
F04-5-17	6GU#-040038-6000	MOUNTING PLATE, REAR LICENSE	后牌照安装板	1	
F04-5-18	6KM#-160420-8001	SPONGE MAT	长方形海绵垫	4	
F04-5-19	6KWV-040609-1000	LH FRONT FOOTREST DECO PLATE	左前脚踏装饰板	1	

塑料件VI/PLASTICS VI



Item No.	Parts Number	Parts Name(EN)	Parts Name(CN)	Qty	Remark(s)
F04-6-1	6KWV-040603-1001	VEHICLE LH REAR DECO PLATE	车体左后装饰板	1	
F04-6-2	6KWV-040604-1001	VEHICLE RH REAR DECO PLATE	车体右后装饰板	1	
F04-6-3	6KWV-041105-1000	SEAT LOCK CYLINDER BRACKET	坐垫锁芯安装支架	1	
F04-6-4	6KWV-041106-1000	VEHICLE RH REAR WATER RESISTENT PLATE	车体右后防水板	1	
F04-6-5	6KWV-040607-1000	VEHICLE LH DECO PLATE INNER PLATE	车体左装饰板内板	1	
F04-6-6	6KWV-040608-1000	VEHICLE RH DECO PLATE INNER PLATE	车体右装饰板内板	1	
F04-6-7	6KWV-040605-1000-0VR00	VEHICLE LH LOWER DECO PLATE	车体左下装饰板	1	WHITE BIKE
F04-6-7	6KWV-040605-1000-0BU00	VEHICLE LH LOWER DECO PLATE	车体左下装饰板	1	BLACK BIKE
F04-6-8	6KWV-040606-1000-0VR00	VEHICLE RH LOWER DECO PLATE	车体右下装饰板	1	WHITE BIKE
F04-6-8	6KWV-040606-1000-0BU00	VEHICLE RH LOWER DECO PLATE	车体右下装饰板	1	BLACK BIKE
F04-6-9	6KWV-040701-1000	VEHICLE REAR BASE PLATE	后车体底护板	1	
F04-6-10	6090-040302	RUBBER DAMPER	缓冲胶套	6	
F04-6-11	6090-040303	BUSHING	衬套	6	
F04-6-12	6WWV-046902-5000	INNER HEX SCREW M6x20	M6x20内六角螺钉	6	
F04-6-13	6WWV-046802-5000	INNER HEX SCREW M6x16	M6x16内六角螺钉	2	
F04-6-14	8080-000001	CLASP	卡扣	2	
F04-6-15	A000-040302	RUBBER DAMPER	油箱外护罩缓冲橡胶	4	
F04-6-16	6KWV-041114-1000	RUBBER HEAD	蘑菇头橡胶套	2	
F04-6-17	8080-041130	PLASTIC SCREW	塑料膨胀螺钉组合	4	
F04-6-18	30110-421130010	SCREW ST4.2x13	自攻螺钉	6	
F04-6-19	6KM#-160420-8001	SPONGE MAT	长方形海绵垫	6	
F04-6-20	6WWV-047102-5000	INNER HEX SCREW M5x14	M5x14内六角螺钉	4	
F04-6-21	6WWV-046502-5000	STEPPED SCREW M5	M5组合台阶螺钉	6	
F04-6-22	6WWV-046702-5000	INNER HEX SCREW M6x12	M6x12内六角螺钉	2	
F04-6-23	6WWV-047102-5000	INNER HEX SCREW M5x14	M5x14内六角螺钉	4	
F04-6-24	6KM#-040081-8000-M1	NUT CLIP M5	M5螺母夹	5	
F04-6-25	30110-481130070	SELF-TAPPING SCREW	自攻螺钉	6	
F04-6-26	8010-000002	TOOL ST4.2	夹板ST4.2	2	

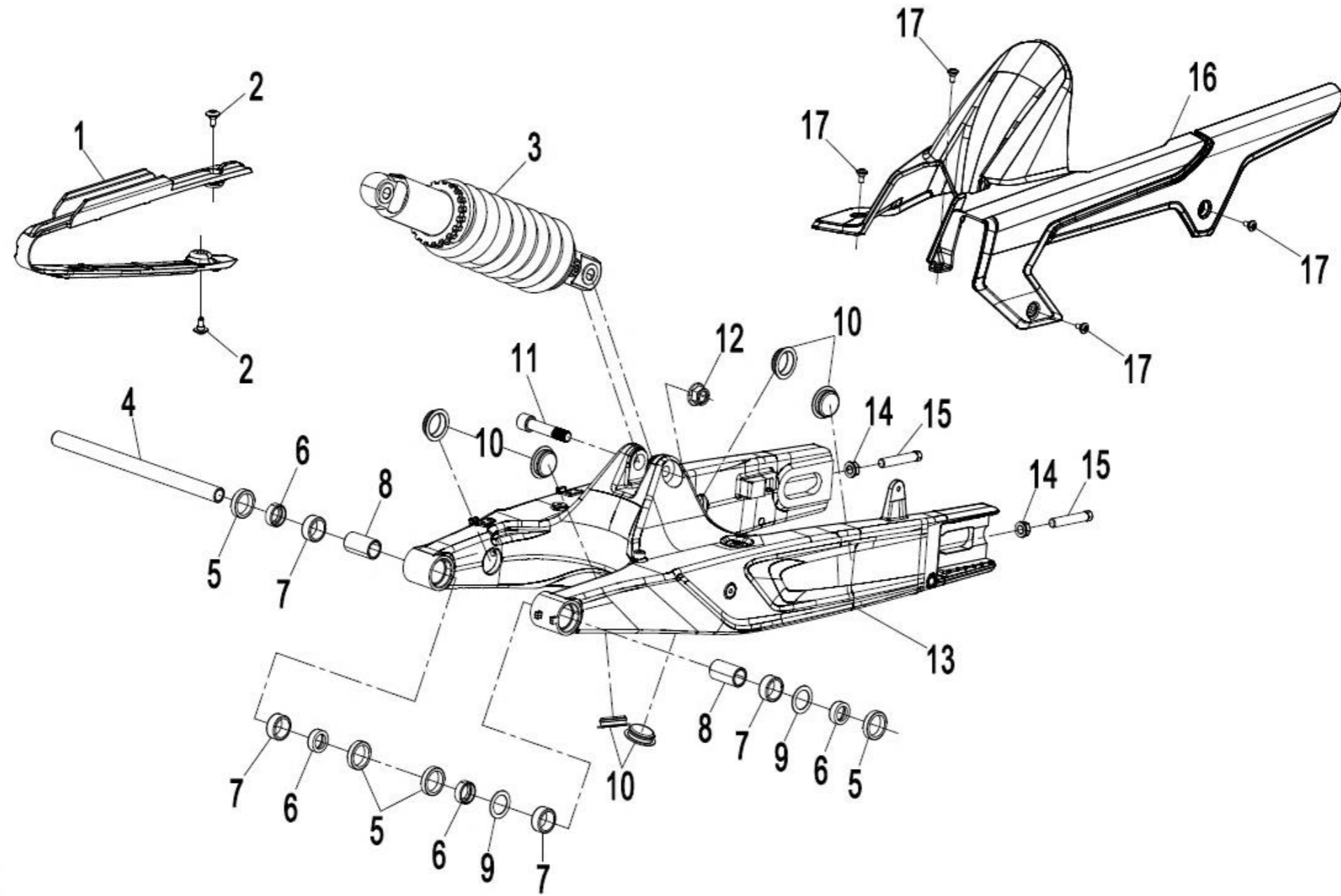
塑料件VII/PLASTICS VII



Item No.	Parts Number	Parts Name(EN)	Parts Name(CN)	Qty	Remark(s)
F04-7-1	6KWV-041101-1000	ECU BRACKET	ECU安装支架	1	
F04-7-2	5020-040051	NUT M6	夹板螺母M6	4	
F04-7-3	6WWV-047102-5000	INNER HEX SCREW M5x14	M5x14内六角螺钉	8	
F04-7-4	8010-000002	TOOL ST4.2	夹板ST4.2	1	
F04-7-5	6KWV-041103-1000	CANISTER BRACKET	破罐安装支架	1	
F04-7-6	6WWV-046502-5000	STEPPED SCREW M5	M5组合台阶螺钉	3	
F04-7-7	6KWV-041102-1000	BATTERY BRACKET	蓄电池安装支架	1	
F04-7-8	6KWV-041107-1000	BATTERY BASE SPONGE MAT	蓄电池底部海绵垫	1	
F04-7-9	6KWV-041108-1000	BATTERY FRONT SPONGE MAT	蓄电池前端海绵垫	3	
F04-7-10	6GUV-150910-9000	T-BOX ASSY	T-BOX拉带组合	1	
F04-7-11	30110-421130010	SCREW ST4.2x13	自攻螺钉	4	
F04-7-12	6KWV-040507-1000	REAR FENDER, RADIATOR	散热器后挡板	1	
F04-7-13	8080-000001	CLASP	卡扣	2	
F04-7-14	6KM#-040081-8000-M1	NUT CLIP M5	M5螺母夹	1	
F04-7-15	6WWV-046702-5000	INNER HEX SCREW M6x12	M6x12内六角螺钉	4	
F04-7-16	6WWV-045901-5000	RUBBER BUSHING, AUXILIARY RELAY	辅助继电器橡胶护套	1	
F04-7-17	C90703034000	WIRE PLATE, LH	左侧导线板	1	

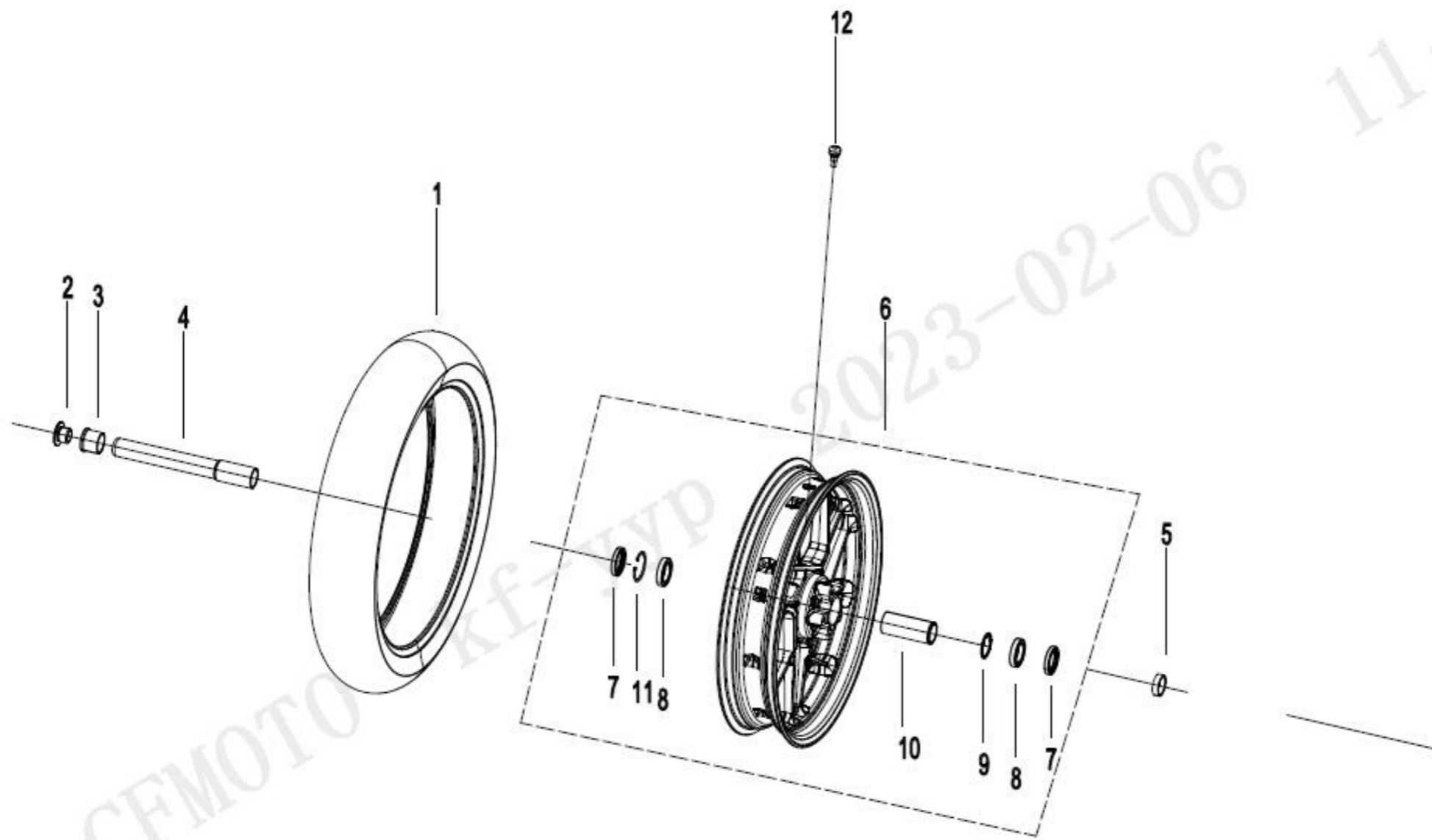
Item No.	Parts Number	Parts Name(EN)	Parts Name(CN)	Qty	Remark(s)
F05-B-1	6KWV-050702-1000-0VE00	FRONT FENDER DECO PLATE	前挡泥板装饰板	1	WHITE BIKE
F05-B-1	6KWV-050702-1000-0D000	FRONT FENDER DECO PLATE	前挡泥板装饰板	1	BLACK BIKE
F05-B-2	6KWV-050701-1000-0BU00	FRONT FENDER	前挡泥板	1	
F05-B-3	6WWV-046502-5000	STEPPED SCREW M5	M5组合台阶螺钉	6	
F05-B-4	30110-421130010	SCREW ST4.2x13	自攻螺钉	4	
F05-B-5	6KWV-050501-1000	DECO COVER	装饰盖	1	
F05-B-6	6WWV-047102-5000	INNER HEX SCREW M5x14	M5x14内六角螺钉	1	
F05-B-7	6L30-050002	LOCK SCREW, UPPER TRIPLE CLAMP	上联板紧固螺钉	1	
F05-B-8	6WWV-050005-5000	WASHER	垫圈	1	
F05-B-9	6KWV-050020-1000	UPPER TRIPLE CLAMP ASSY	上联板组件	1	WHITE BIKE (ALT:- 6KWV-050020-1000-10)
F05-B-9	6KWV-050025-1000	UPPER TRIPLE CLAMP ASSY	上联板组件	1	BLACK BIKE (ALT:- 6KWV-050025-1000-10)
F05-B-10	6WWV-050011-5000	INNER HEX SCREW M8x30	内六角圆柱头螺钉M8x30	6	
F05-B-11	30102-080025810	SCREW M8x25	螺钉	1	
F05-B-12	6L30-050003	DUST-PROOF COVER	防尘盖	1	
F05-B-13	6L30-050010	DUST-PROOF RING	防尘圈组件	2	
F05-B-14	6L30-050200	STEERING BEARING ASSY	转向轴承组合	2	
F05-B-15	6KWV-050300-1000	LOWER TRIPLE CLAMP ASSY	下联板组合	1	WHITE BIKE (ALT:- 6KWV-050300-1000-10)
F05-B-15	6KWV-050325-1000	LOWER TRIPLE CLAMP ASSY	下联板组合	1	BLACK BIKE (ALT:- 6KWV-050325-1000-10)
F05-B-16	6L30-050004	PLUG, FRONT FORK	前叉管堵头	1	
F05-B-17	6KWV-050500-1000-M1	LH FRONT SHOCK ABSORBER	左前减震器	1	
F05-B-18	6KWV-050600-1000-M1	RH FRONT SHOCK ABSORBER	右前减震器	1	
F05-B-19	30102-080020870	SCREW	螺钉M8x20	4	
F05-B-20	16181R54E	STEERING DAMPER	转向阻尼器	1	
F05-B-21	6WWV-050009-5000	SCREW M8x25	螺钉M8x25	3	
F05-B-22	6KWV-050500-1000-24	OIL SEAL	油封	2	
F05-B-23	6KWV-050500-1000-25	ANTI-DUST CAP	防尘盖	2	

后悬架/REAR SUSPENSION



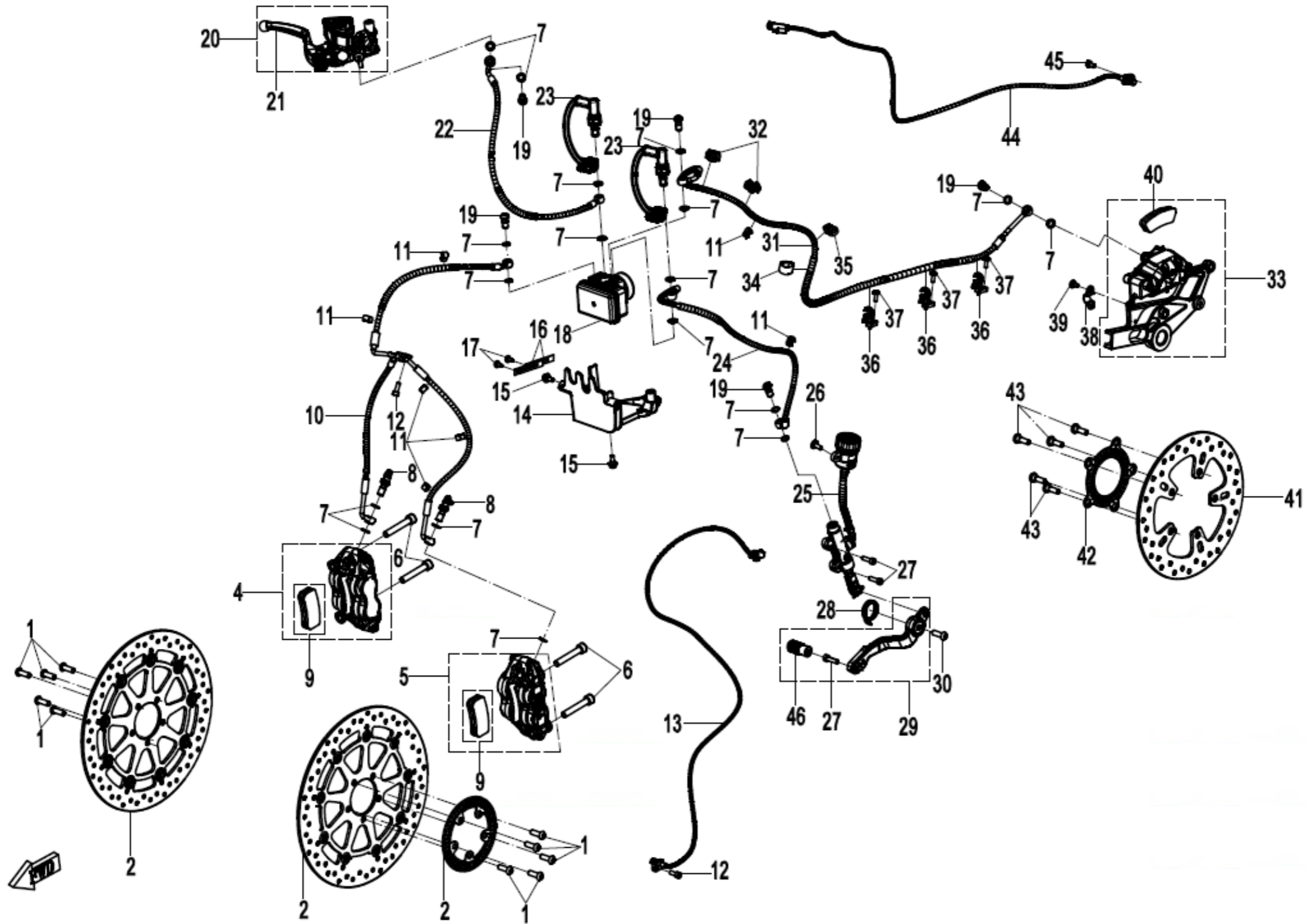
Item No.	Parts Number	Parts Name(EN)	Parts Name(CN)	Qty	Remark(s)
F06-1	6WWV-060005-5003	CHAIN GUARD	链条护卡	1	
F06-2	6WWV-046602-5000	INNER HEX STEPPED SCREW M6x14	M6x14内六角台阶螺钉	2	
F06-3	6KWV-060100-1000-M1	REAR SHOCK ABSORBER	后减震器	1	
F06-4	6WWV-060001-5001	REAR SWING ARM SHAFT	后摇臂轴	1	
F06-5	6WWV-060030-5000-10	OIL SEAL	油封	4	ALT:- 6WWV-060030-5000
F06-6	6WWV-060002-5000	BUSHING, REAR SWING ARM	后摇臂衬套	4	
F06-7	30403-02200	NEEDLE BEARING HK2212	滚针轴承HK2212	4	
F06-8	6WWV-060003-5000	LINER, REAR SWING ARM	后摇臂衬管	2	
F06-9	6WWV-060004-5000	WASHER, REAR SWING ARM	后摇臂垫圈	2	
F06-10	6NT1-060003	DUST CAP, SMALL	小防尘盖	6	
F06-11	6NT1-060001	BOLT, REAR SHOCK ABSORBER	后减震器安装螺栓	1	
F06-12	30204-122810	NUT M12x1.25	螺母	1	
F06-13	6KWV-060301-1000	REAR FORK	后平叉	1	
F06-14	6L30-060013	LOCK NUT, CHAIN ADJUSTER	链条调节器锁紧螺母	2	
F06-15	6L30-060002	ADJUSTABLE BOLT, CHAIN	链条调节螺栓	2	
F06-16	6KWV-060401-1000	REAR FORK PANEL	后平叉护板	1	
F06-17	6WWV-046502-5000	STEPPED SCREW M5	M5组合台阶螺钉	4	

前轮/FRONT WHEEL



Item No.	Parts Number	Parts Name(EN)	Parts Name(CN)	Qty	Remark(s)
F07-1	3070SH-176100	TIRE	轮胎	1	ALT:- 30705-1761
F07-2	6L30-070004	LOCK SCREW, FRONT AXLE	前轮轴紧固螺钉	1	
F07-3	6WWV-070002-5000	RH BUSHING, FRONT WHEEL	前轮右衬套	1	
F07-4	6WWV-070001-5000	FRONT WHEEL SHAFT	前轮轴	1	
F07-5	6WWV-070003-5000	LH BUSHING, FRONT WHEEL	前轮左衬套	1	
F07-6	6KWV-070100-1000-0BM00	FRONT RIM ASSY	前轮辋组合	1	WHITE BIKE
F07-6	6KWV-070100-1000-0YJ00	FRONT RIM ASSY	前轮辋组合	1	BLACK BIKE
F07-7	6WWV-070100-5000-21	OIL SEAL	油封	2	
F07-8	6WWV-070100-5000-22	BEARING	轴承	2	
F07-9	6WWV-070105-5000	WASHER	拖圈	1	
F07-10	6KWV-070102-1000	CORE SHAFT	芯轴	1	
F07-11	30800-04705	CIRCLIP FOR HOLE 47	孔用弹性挡圈47	1	
F07-12	FA7V-070300-1000	INFLATION VALVE	气门嘴	1	

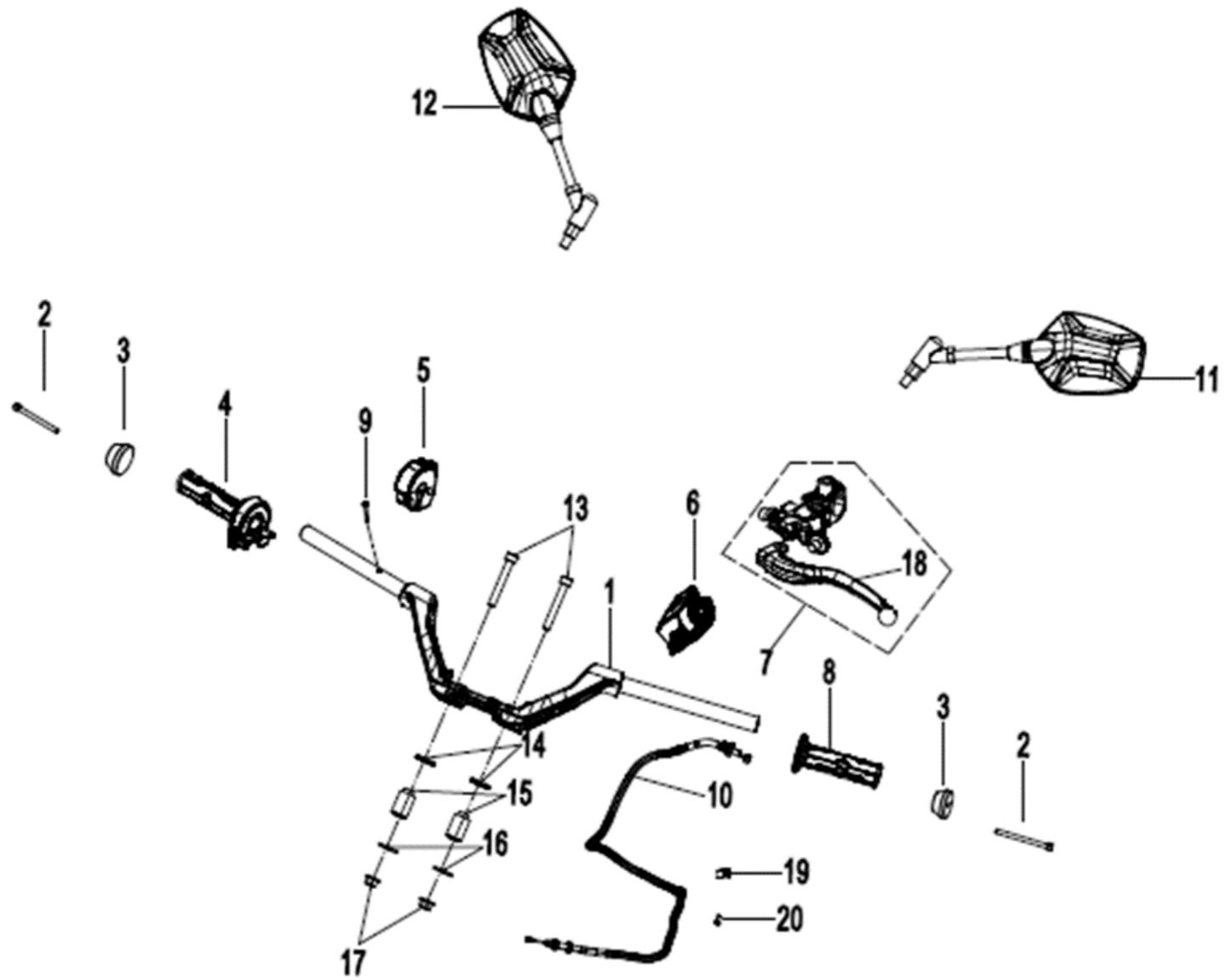
液压制动总成/ BRAKE ASSY



Item No.	Parts Number	Parts Name(EN)	Parts Name(CN)	Qty	Remark(s)
F08-1	C90709062000	FIXED BOLT, BRAKE DISC	制动盘固定螺栓	10	ALT:- 6GUV-080001-7000
F08-2	6L30-080010	FRONT BRAKE DISC ASSY	前制动盘组合	2	
F08-3	6L30-080003	GEAR RING, FRONT WHEEL	前轮齿圈	1	
F08-4	6WWV-081200-5001	FRONT RH BRAKE CALIPER	前右制动钳体组合	1	
F08-5	6GUV-081100-6002	FRONT LH BRAKE CALIPER ASSY	前左制动钳体组合	1	
F08-6	30102-102060810	SCREW M10x1.25x60	螺钉	4	
F08-7	A000-080102-2000	WASHER	垫圈	18	
F08-8	6GU#-081000-6000-22	BANJO BOLT 1	过油螺栓1	2	
F08-9	6GUV-0811A0-6000	FRONT BRAKE PAD ASSY	前制动片组合	2	
F08-10	6KWV-081020-1000	FRONT BRAKE FLUID INLET HOSE	前制动进油管	1	
F08-11	6KJ0-080003-00001	CLIP, BRAKE HOSE	制动油管卡	7	
F08-12	30102-060016810	SCREW	螺钉M6x16	2	
F08-13	FA8V-080004-1200-M1	SPEED SENSOR	轮速传感器	1	
F08-14	6WWV-080009-5000	ABS NYLON BRACKET	ABS尼龙支架	1	
F08-15	8010-000004	BOLT M6x14	凸缘螺栓M6x14	2	
F08-16	0180-014010	WIRE CLIP	线夹组合	2	
F08-17	30118-480130010	SELF-TAPPING SCREW ST4.8x13	自攻螺钉	2	
F08-18	6KWV-081500-1000-M1	MSC CONTROLLER	MSC控制器	1	
F08-19	6GU#-081000-6000-23	BANJO BOLT2	过油螺栓II	5	
F08-20	6KWV-080110-1000-M1	FRONT BRAKE PUMP ASSY	前制动泵组合	1	
F08-21	6KWV-080110-1000-35	LEVER	手柄	1	
F08-22	6KWV-081010-1001	FRONT BRAKE FLUID OUTLET PIPE	前制动出油管	1	
F08-23	6GUV-080010-8100	HYDRAULIC INDUCTION SWITCH	双路液压感应开关	2	ALT:- 6GU#-080010-6003
F08-24	6KWV-081050-1000	REAR BRAKE FLUID OUTLET HOSE	后制动出油管	1	
F08-25	6KWV-081300-1000-M1	REAR BRAKE MAIN PUMP ASSY	后刹主泵总成	1	
F08-25	6KWV-081300-1001-M1	REAR BRAKE MASTER CYLINDER ASSY	后刹主泵总成	1	
F08-26	6WWV-046802-5000	INNER HEX SCREW M6x16	M6x16内六角螺钉	1	
F08-27	30102-060022810	SCREW M6x22	螺钉	3	
F08-28	6AQV-080400-1000	SPRING	扭簧	1	
F08-29	6KWV-081700-1000	REAR BRAKE PEDAL ASSY	后制动踏杆组合	1	WHITE BIKE
F08-29	6KWV-081400-1000	REAR BRAKE PEDAL ASSY	后制动踏杆组合	1	BLACK BIKE
F08-30	30121-080025160	SCREW M8x25	螺钉	1	
F08-31	6KWV-081040-1000	REAR BRAKE FLUID INLET HOSE	后制动进油管	1	

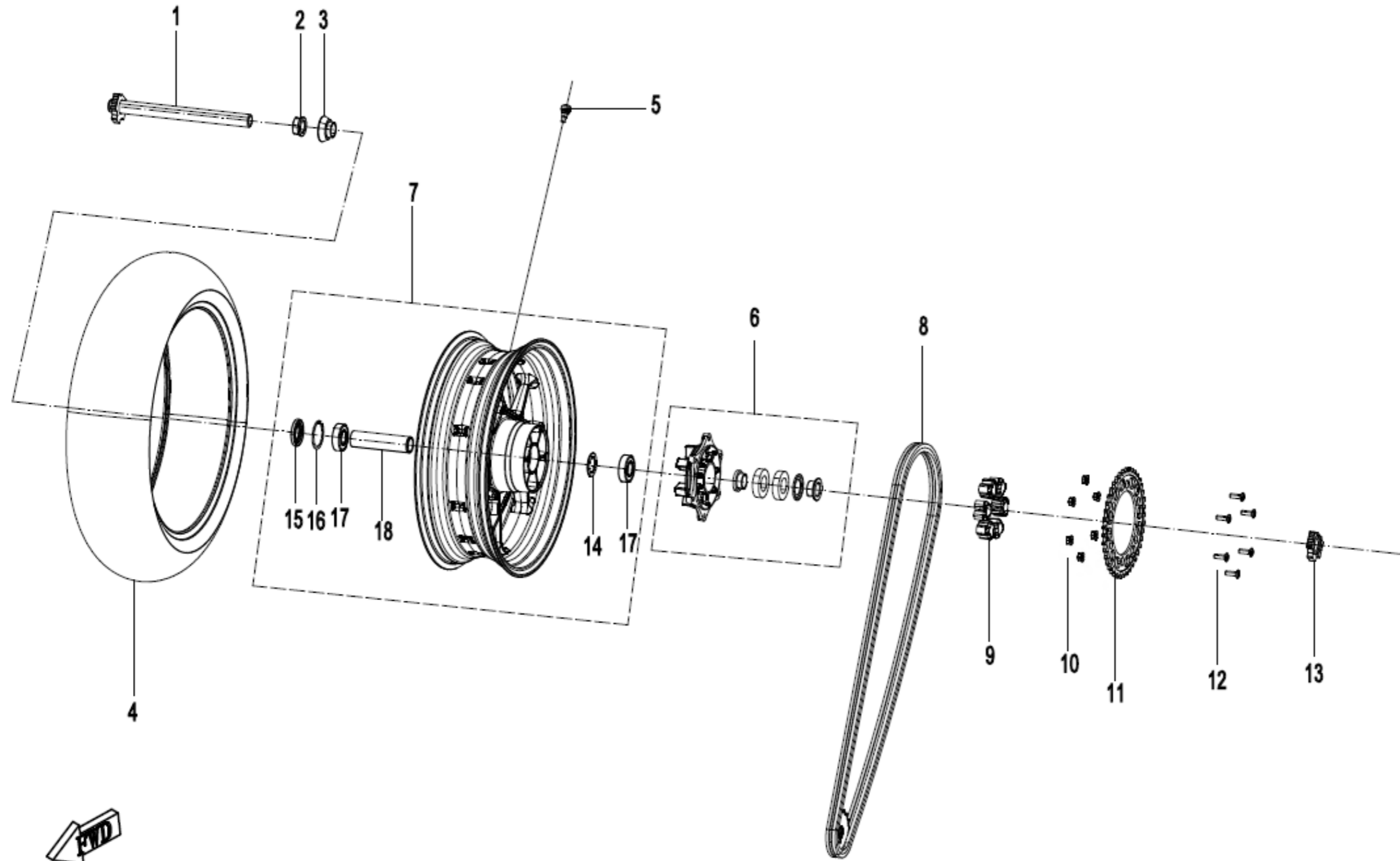
Item No.	Parts Number	Parts Name(EN)	Parts Name(CN)	Qty	Remark(s)
F08-32	6L30-080006	WIRE CLIP 2, BRAKE FLUID HOSE	制动油管线夹II	2	
F08-33	6KWV-081600-1000	REAR CALIPER ASSY	后制动钳体组合	1	
F08-34	6KJ0-100002	CLUTCH PULL BINDING	离合器拉锁绑带	1	
F08-35	801F-100101	TIE BAND	扎带	1	
F08-36	6GU#-080009-6000	WIRE CLIP, BRAKE FLUID HOSE	制动油管线夹	3	
F08-37	6WWV-047102-5000	INNER HEX SCREW M5x14	M5x14内六角螺钉	3	
F08-38	6GU#-080008-6000	WIRE CLIP	线束固定线夹	1	
F08-39	6KM#-040082-8000	SCREW KIT M5	M5组合台阶螺钉	1	
F08-40	6WWV-0816A0-5000	REAR BRAKE PAD ASSY	后制动片组合	1	
F08-41	6GU#-090001-6000-M1	REAR BRAKE DISC	后制动盘	1	
F08-42	6GU#-090002-6001	REAR GEAR RING	后齿圈	1	
F08-43	A000-080001	SCREW	螺钉	5	
F08-44	6L30-080020	SPEED SENSOR, FRONT WHEEL	前轮车速传感器	1	
F08-45	30102-060012810	SCREW	内六角螺钉M6X12	1	
F08-46	6AQV-080301-1000	SUPPORTER	支撑柱	1	WHITE BIKE
F08-46	6KWV-081402-1000	SUPPORTING STEM	支撑柱	1	BLACK BIKE

转向系统/ STEERING SYSTEM



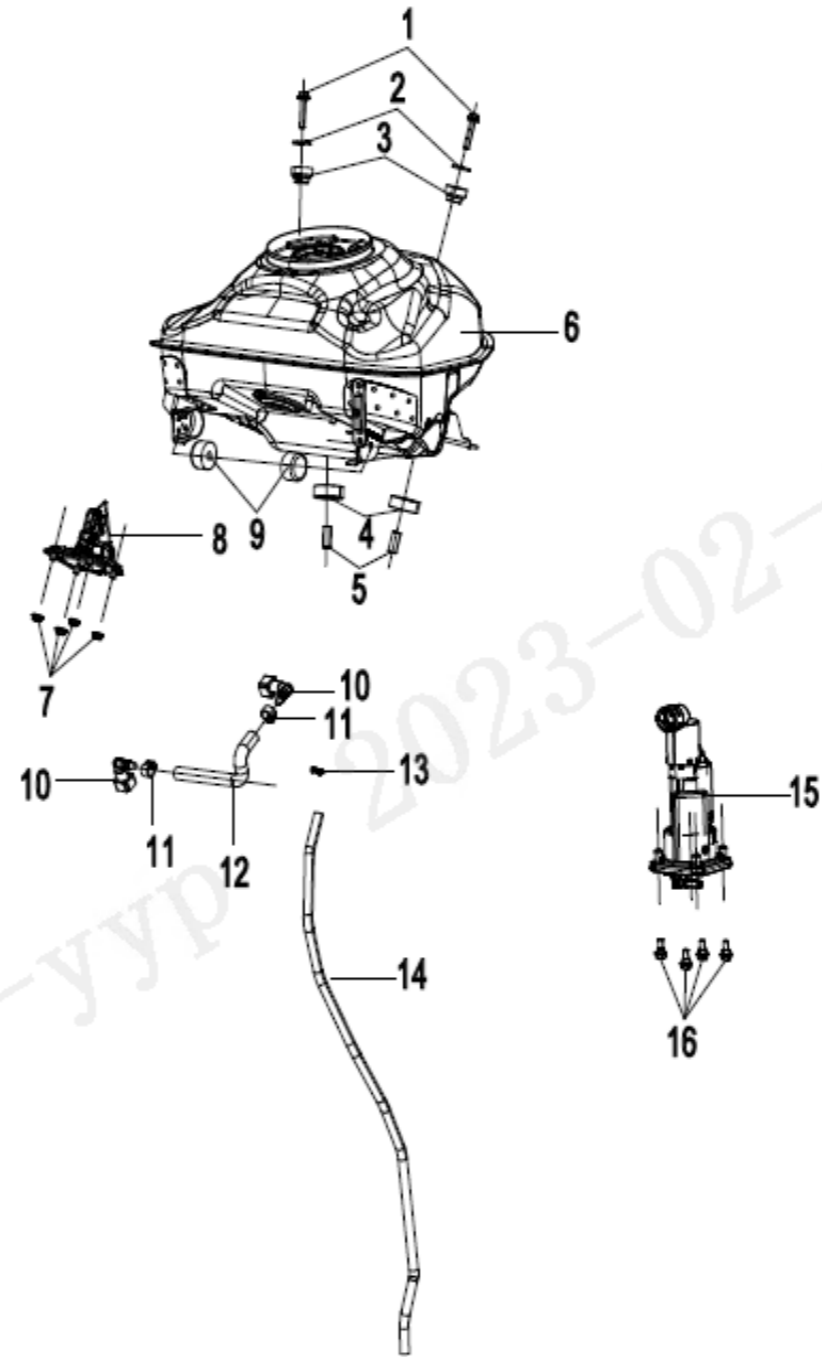
Item No.	Parts Number	Parts Name(EN)	Parts Name(CN)	Qty	Remark(s)
F10-B-1	6KWV-100100-1101	HANDLEBAR ASSY	方向把组合	1	
F10-B-2	30102-102070810	SCREW M10x1.25x70	螺钉	2	
F10-B-3	6AQV-100301-1000-0VR00	BALANCE BLOCK	平衡块组合	2	
F10-B-4	6GUV-100020-6000-M1	E-THROTTLE ASSY	电子油门组件	1	ALT:- 6GUV-100020-6001
F10-B-5	6KWV-167000-1100	RH HANDLEBAR SWITCH ASSY	右手把开关总成	1	
F10-B-6	6KWV-166000-1101	LH HANDLEBAR SWITCH ASSY	左手把开关总成	1	
F10-B-7	6WWV-100200-5002	CLUTCH LEVER ASSY	离合手柄组合	1	
F10-B-8	6GUV-100001-6002	LH HAND GRIP SLEEVE	左握把套	1	
F10-B-9	30105-040030410	SCREW M4x30	螺钉	1	
F10-B-10	6KWV-100600-1100	CLUTCH CABLE	离合器拉索	1	
F10-B-11	6KWV-200300-1000	LH REAR VIEW MIRROR ASSY	左后视镜总成	1	ALT:- 6KWV-200300-1000-10
F10-B-12	6KWV-200400-1000	RH REAR VIEW MIRROR ASSY	右后视镜总成	1	ALT:- 6KWV-200400-1000-10
F10-B-13	30102-102070810	SCREW M10x1.25x70	螺钉	2	
F10-B-14	6KWV-100061-1000	CIRCULAR RUBBER RING	圆形胶圈	2	
F10-B-15	6KWV-100060-1000	RUBBER SLEEVE	硫化橡胶衬套	2	
F10-B-16	30306-100112	WASHER M10	垫圈	2	
F10-B-17	30204-102810	NUT M10x1.25	螺母	2	
F10-B-18	6WWV-100201-5000	CLUTCH LEVER	离合手柄	1	
F10-B-19	6WWV-100800-5000	WIRE CLIP, CLUTCH CABLE	离合拉索线夹	1	
F10-B-20	6WWV-047102-5000	INNER HEX SCREW M5x14	M5x14内六角螺钉	1	

后轮/REAR WHEEL



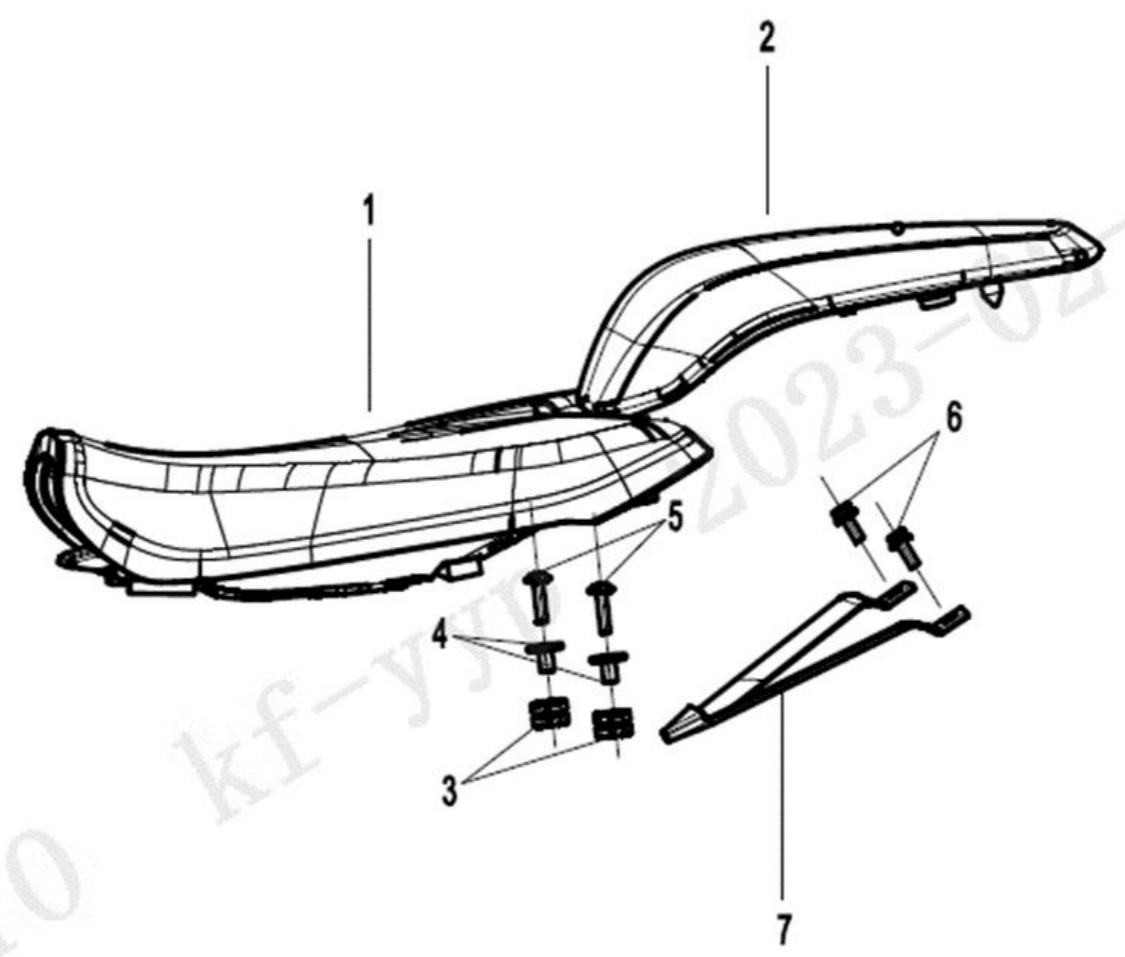
Item No.	Parts Number	Parts Name(EN)	Parts Name(CN)	Qty	Remark(s)
F11-1	6WWV-110400-5000	REAR WHEEL SHAFT ASSY	后轮轴组件	1	
F11-2	6WWV-110006-5000	RH BUSHING, REAR WHEEL	后轮右衬套	1	
F11-3	6WWV-110002-5000	RH CHAIN ADJUSTING BLOCK	右链条调节块	1	
F11-4	3070SH-176200	TIRE	轮胎	1	
F11-5	FA7V-070300-1000	INFLATION VALVE	气门嘴	1	
F11-6	6WWV-110300-5000	SEAT, SPROCKET	链轮座组件	1	
F11-7	6KWV-110200-1000-0BM00	REAR RIM ASSY	后轮辋组合	1	
F11-7	6KWV-110200-1000-0YJ00	REAR RIM ASSY	后轮辋组合	1	
F11-8	3120913	CHAIN	链条	1	
F11-9	6L30-110003	DAMPER, SPROCKET	链轮缓冲块	6	
F11-10	30204-080810	NUT M8	螺母	6	
F11-11	C90710051041	REAR SPROCKET	后链轮41T	1	
F11-12	6WWV-110004-5001	SUNK_SCREW_M8x28	花形半沉头螺钉M8X28	6	
F11-13	6WWV-110001-5000	NUT, REAR WHEEL SHAFT	后轮轴螺母	1	
F11-14	6WWV-110106-5000	WASHER	拖圈	1	
F11-15	6WWV-110100-5000-21	OIL SEAL	油封	1	
F11-16	30800-05205	CIRCLIP FOR HOLE	孔用弹性挡圈	1	
F11-17	6WWV-110100-5000-22	BEARING	轴承	2	
F11-18	6KWV-110202-1000	CORE SHAFT	芯轴	1	

油箱/FUEL TANK



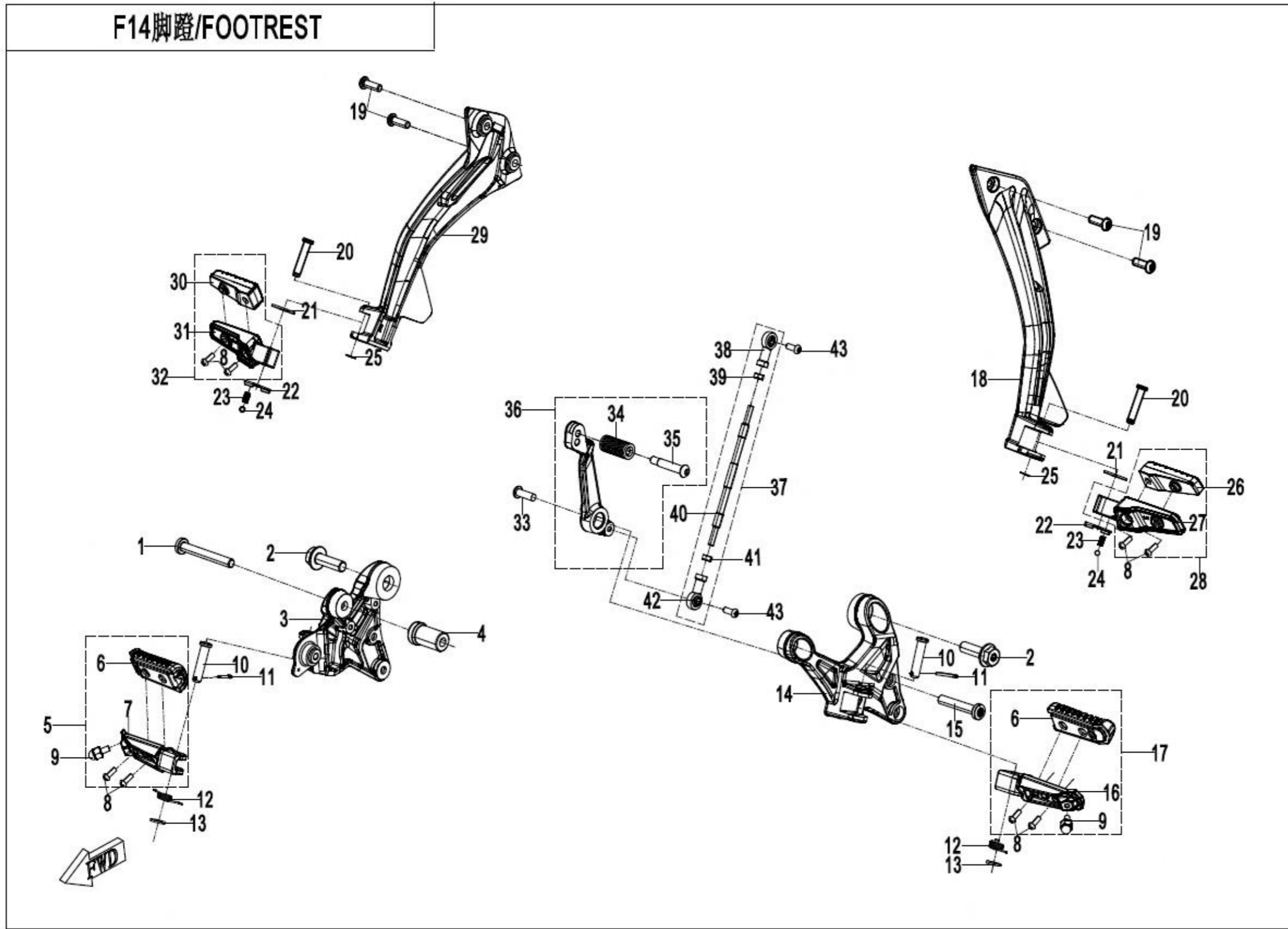
Item No.	Parts Number	Parts Name(EN)	Parts Name(CN)	Qty	Remark(s)
F12-1	30006-060035810	BOLT M6x35	螺栓	2	
F12-2	30301-060412	WASHER M6	垫圈	2	
F12-3	6NQ#-120004-6000	CUSHION RUBBER WAHSER	缓冲橡胶垫	2	
F12-4	6NQ#-120002-6000	MOUNTING BUSHING	安装衬套	4	
F12-5	6KWV-120001-1000	RUBBER MAT	缓冲橡胶垫	2	
F12-6	6KWV-121000-1000	FUEL TANK ASSY	油箱焊接组合	1	
F12-7	30204-060810	NUT M6	螺母	4	ALT:- 30202-060110
F12-8	6KWV-170200-1000-M2	FUEL LEVEL SENSOR	油位传感器	1	
F12-9	A000-120006	CUSHION MAT, FRONT FUEL TANK	油箱前侧缓冲垫	2	
F12-10	6090-120210	QUICK JOINT	快速接头	2	
F12-11	7020-120006	CLAMP Dia 16.6	单耳无级环箍(Φ16.6)	2	
F12-12	6WWV-120010-5000	HIGH-PRESSURE FUEL HOSE ASSY	高压油管组合	1	
F12-13	30601-111010	CLAMP A11	环箍A11	1	
F12-14	6NQ0-120001	FUEL PIPE, FUEL TANK	油箱漏油管	1	
F12-15	6KWV-150900-1000	FUEL PUMP	燃油泵	1	ALT:- 6L30-150900
F12-16	30006-060016870	BOLT M6x16	螺栓	2	ALT:- 30006-060016810

座垫总成/SEAT ASSY



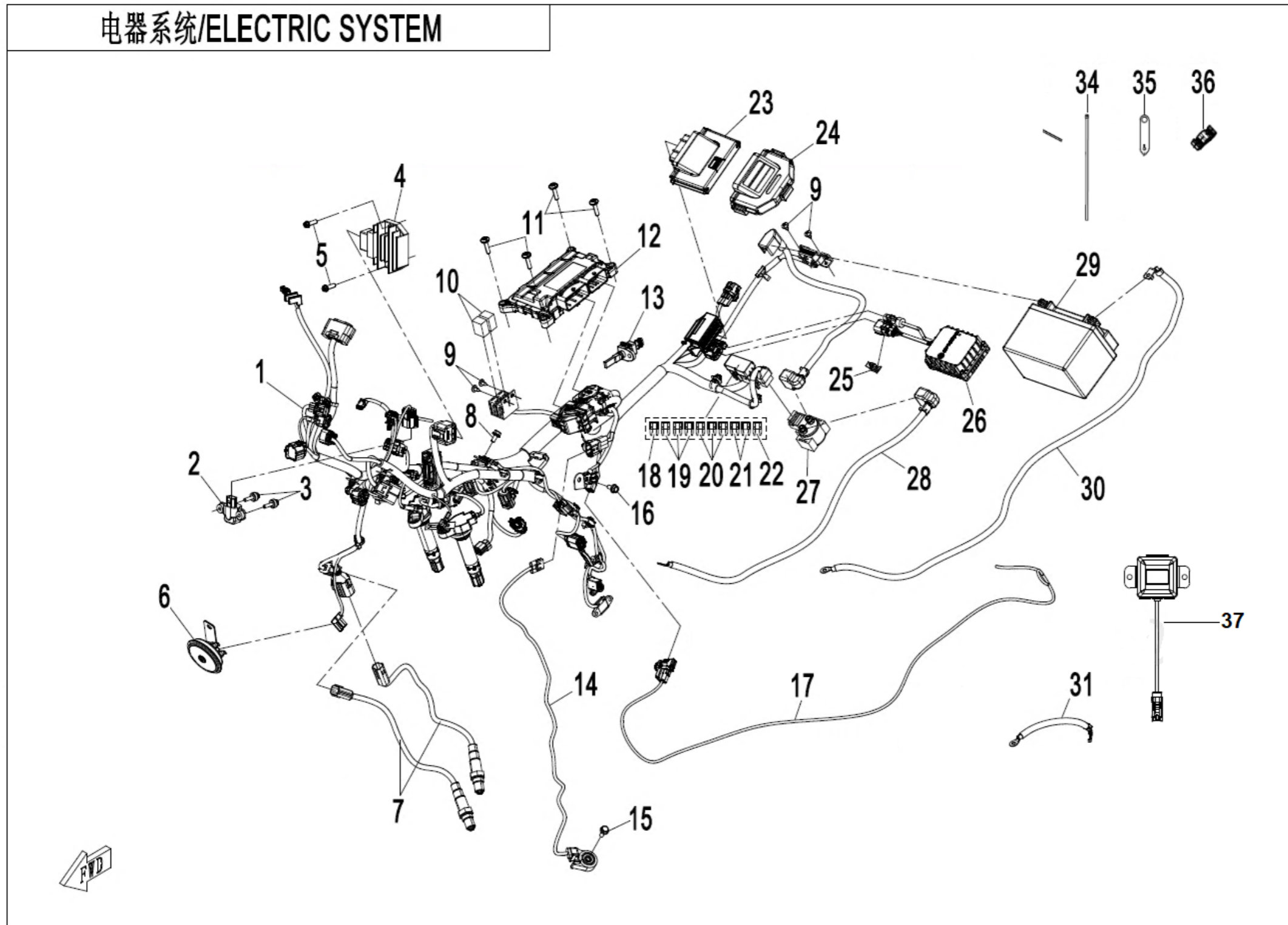
Item No.	Parts Number	Parts Name(EN)	Parts Name(CN)	Qty	Remark(s)
F13-1	6KWV-130100-1000	FRONT SEAT ASSY	前座垫组合	1	
F13-2	6KWV-130200-1000	REAR SEAT ASSY	后座垫组合	1	
F13-3	5020-031001	RUBBER SLEEVE, FRONT LICENSE BRACKET	前牌照支架橡胶胶套	2	
F13-4	6GU#-000202-6000	T SHAPE BUSHING KIT	T型衬套组合	2	
F13-5	6WWV-047002-5000	INNER HEX SCREW M6x25	M6x25内六角螺钉	2	
F13-6	30006-060016870	BOLT M6x16	螺栓	2	ALT:- 30006-060016810
F13-7	6KWV-130300-1000	TIE BAND	拉带组合	1	

F14脚蹬/FOOTREST



Item No.	Parts Number	Parts Name(EN)	Parts Name(CN)	Qty	Remark(s)
F14-1	C0000351008000S	SCREW M10x80	内梅花球面圆柱头螺栓M10x80	1	
F14-2	C90704038000	BOLT, FRONT FOOTREST BRACKET	前脚蹬支架上安装螺栓	2	
F14-3	6KWV-140700-1000-10	BRACKET, RH FRONT FOOTREST	右前脚蹬支架	1	WHITE BIKE
F14-3	6KWV-140700-1000	RH FRONT FOOTREST BRACKET	右前脚蹬支架	1	BLACK BIKE
F14-4	C90703039001C1	BUSHING, FRONT RH FOOTREST BRACKET	前右脚蹬支架安装衬套	1	
F14-5	6KWV-140500-1000-0VR00	BRACKET ASSY, RH FRONT FOOTREST	右前脚蹬座总成	1	WHITE BIKE
F14-5	6KWV-140900-1000-0BP00	RH FRONT FOOTREST SEAT ASSY	右前脚蹬座总成	1	BLACK BIKE
F14-6	6KMV-140170-8100	FOOTREST RUBBER	脚蹬橡皮组件	2	
F14-7	6KWV-140141-1000-0VR00	RH FRONT FOOTREST SEAT	右前脚蹬座	1	WHITE BIKE
F14-7	6KWV-140141-1000-0BP00	RH FRONT FOOTREST SEAT	右前脚蹬座	1	BLACK BIKE
F14-8	30105-050014410	SCREW M5x14	螺钉	8	WHITE BIKE
F14-8	30105-050014470	SCREW	螺钉	8	BLACK BIKE
F14-9	6KM0-130123	LIMIT BOLT	限位螺栓	2	WHITE BIKE
F14-9	6GU#-140202-6000	LIMIT BOLT	限位螺钉	2	BLACK BIKE
F14-10	6WWV-140141-5000	PIN SHAFT	销轴	2	
F14-11	30903-0322210	COTTER PIN 3.2x22	开口销	2	
F14-12	A000-140103-20000	SPRING	扭簧	2	
F14-13	30300-100112	WASHER	垫圈	2	
F14-14	6KWV-140600-1000-10	BRACKET, LH FRONT FOOTREST	左前脚蹬支架	1	WHITE BIKE
F14-14	6KWV-140600-1000	LH FRONT FOOTREST BRACKET	左前脚蹬支架	1	BLACK BIKE
F14-15	C0000351006500S	SCREW M10x65	内梅花球面圆柱头螺栓M10x65	1	
F14-16	6KWV-140131-1000-0VR00	LH FRONT FOOTREST SEAT	左前脚蹬座	1	WHITE BIKE
F14-16	6KWV-140131-1000-0BP00	LH FRONT FOOTREST SEAT	左前脚蹬座	1	BLACK BIKE
F14-17	6KWV-140400-1000-0VR00	BRACKET ASSY, LH FRONT FOOTREST	左前脚蹬座总成	1	WHITE BIKE
F14-17	6KWV-140800-1000-0BP00	LH FRONT FOOTREST SEAT ASSY	左前脚蹬座总成	1	BLACK BIKE
F14-18	6KWV-140200-1000-10	BRACKET, LH REAR FOOTREST	左后脚蹬支架	1	WHITE BIKE
F14-18	6KWV-140200-1000	LH FRONT FOOTREST BRACKET	左后脚蹬支架	1	BLACK BIKE
F14-19	C90709062000	FIXED BOLT, BRAKE DISC	制动盘固定螺栓	4	
F14-20	A000-140142	PIN SHAFT Dia 8	销轴φ8	2	
F14-21	A000-140106	LOCATING GASKET 2	定位垫片II	2	
F14-22	A000-140104	LOCATING GASKET 1	定位垫片I	2	
F14-23	5190-037813	SPRING	弹簧	2	
F14-24	5190-037814	STEEL BALL	钢珠	2	

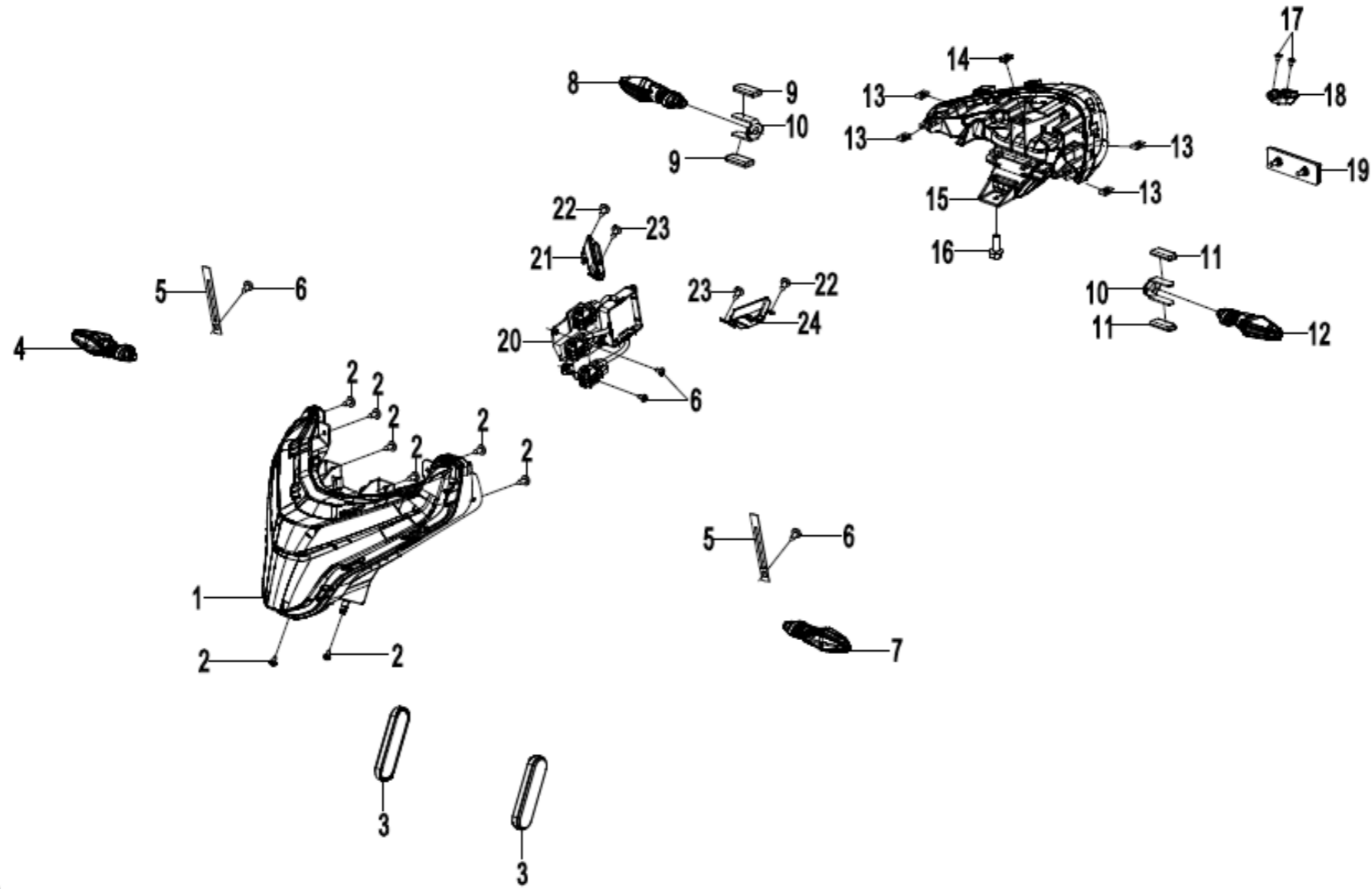
Item No.	Parts Number	Parts Name(EN)	Parts Name(CN)	Qty	Remark(s)
F14-25	30802-00605	CIRCLIP 6	开口挡圈6	2	ALT:- 30802-00603
F14-26	6KJ0-140132	RUBBER, LH FOOT PEDAL	左脚蹬橡皮组件	1	
F14-27	6KJV-140151-8000-0VR00	LH REAR FOOTREST BRACKET	左后脚蹬座	1	WHITE BIKE
F14-27	6KJV-140151-8000-0BP00	LH REAR FOOTREST BRACKET	左后脚蹬座	1	BLACK BIKE
F14-28	6KJV-140150-8000-0VR00	LH REAR FOOTREST ASSY	左后脚蹬组件	1	WHITE BIKE
F14-28	6KJV-140150-8000-0BP00	LH REAR FOOTREST ASSY	左后脚蹬组件	1	BLACK BIKE
F14-29	6KWV-140300-1000-10	BRACKET, RH REAR FOOTREST	右后脚蹬支架	1	WHITE BIKE
F14-29	6KWV-140300-1000	RH FRONT FOOTREST BRACKET	右后脚蹬支架	1	BLACK BIKE
F14-30	6KJ0-140142	RUBBER ASSY, RH FOOTREST	右脚蹬橡皮组件	1	
F14-31	6KJV-140161-8000-0VR00	RH REAR FOOTREST BRACKET	右后脚蹬座	1	WHITE BIKE
F14-31	6KJV-140161-8000-0BP00	RH REAR FOOTREST BRACKET	右后脚蹬座	1	BLACK BIKE
F14-32	6KJV-140160-8000-0VR00	RH REAR FOOTREST ASSY	右后脚蹬组件	1	WHITE BIKE
F14-32	6KJV-140160-8000-0BP00	RH REAR FOOTREST ASSY	右后脚蹬组件	1	BLACK BIKE
F14-33	30121-080025160	SCREW M8x25	螺钉	1	
F14-34	6GUV-140101-6000	RUBBER SLEEVE, PEDAL	踏杆胶套	1	
F14-35	6NQ#-140104-6002	BOLT, PEDAL	踏杆螺栓	1	
F14-36	6KWV-140110-1000-10	SHIFT LEVER PEDAL ASSY	变挡杆踏板组合	1	WHITE BIKE
F14-36	6KWV-140110-1000	SHIFT LEVER PEDAL ASSY	变挡杆踏板组合	1	BLACK BIKE
F14-37	6WWV-140120-5000	CONNECTING PART, GEARSHIFT ROD	变档杆连接组件	1	
F14-38	6GU#-140140-6001	BEARING	关节轴承	1	
F14-39	30200-060810	NUT M6	螺母	1	
F14-40	6WWV-140121-5000	CONNECTING ROD	连杆	1	
F14-41	30200-060810	NUT M6	螺母	1	
F14-42	6GU#-140160-6001	BEARING	关节轴承	1	
F14-43	30121-060016700	SCREW M6x16	螺钉	2	



Item No.	Parts Number	Parts Name(EN)	Parts Name(CN)	Qty	Remark(s)
F15-B-1	6KWV-150100-1300	MAIN CABLE	主线束	1	

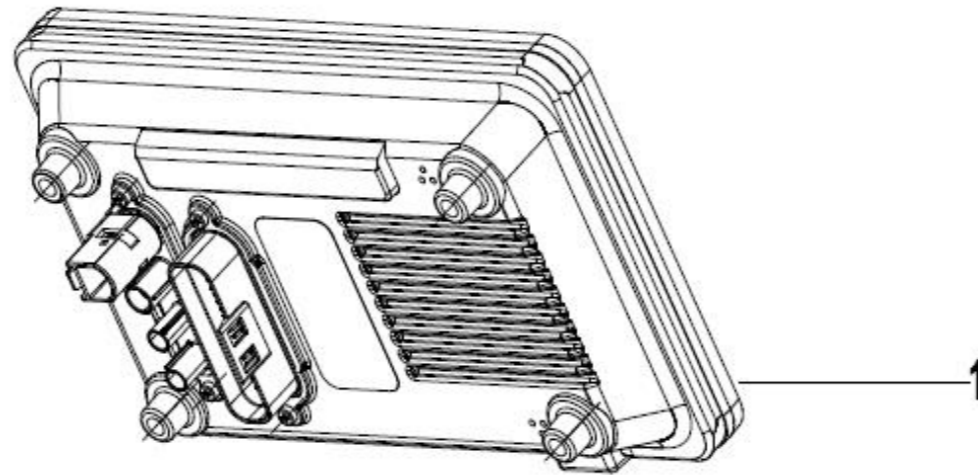
Item No.	Parts Number	Parts Name(EN)	Parts Name(CN)	Qty	Remark(s)
F15-B-2	6KJ0-150600	SENSOR, ROLL-OVER	侧倾传感器	1	
F15-B-3	30006-050020810	BOLT M5x20	螺栓	2	
F15-B-4	6WWV-177000-5000-M1	REGULATOR	整流调压器	1	
F15-B-5	30006-060025810	BOLT M6x25	螺栓	2	
F15-B-6	6FIV-150600-7000	HORN	喇叭	1	
F15-B-7	0HU0-176000	OXYGEN SENSOR	氧传感器	2	
F15-B-8	30006-060016870	BOLT M6x16	螺栓	2	ALT:- 30006-060016810
F15-B-9	30118-480130010	SELF-TAPPING SCREW ST4.8x13	自攻螺钉	4	
F15-B-10	CFCV-150524-2000-M1	AUXILIARY RELAY	辅助继电器	2	
F15-B-11	30006-060025810	BOLT M6x25	螺栓	4	
F15-B-12	6KWV-001000-1100	ECU ASSY	ECU总成	1	
F15-B-13	0PW0-173100	AIR INTAKE TEMP. SENSOR	进气温度传感器	1	
F15-B-14	6WWV-151200-5000	SWITCH, SIDE STAND	边撑开关	1	
F15-B-15	8010-090005	BOLT M6x16	螺栓M6x16	1	
F15-B-16	30006-060012870	BOLT M6x12	螺栓M6x12	2	ALT:- 30006-060012810
F15-B-17	6KWV-150440-1001	LICENSE LIGHT AUXILIARY CABLE	牌照灯副线束	1	
F15-B-18	8010-151301	FUSE 5A	保险丝_5A	1	
F15-B-19	806A-151302	FUSE 10A	保险丝_10A	3	
F15-B-20	806A-151305	FUSE 15A	保险丝_15A	3	ALT:- 806A-151303
F15-B-21	806A-151301	FUSE 7.5A	保险丝_7.5A	2	
F15-B-22	806A-151307	25A FUSE	25A保险丝	1	
F15-B-23	6WWV-150410-5000-10	VEHICLE CONTROL UNIT	车身控制模块	1	
F15-B-24	6WWV-150420-5000-10	BUSHING, VEHICLE CONTROL UNIT	车身控制模块安装套	1	
F15-B-25	CFCV-CBC005-2000-M1	CLIP	CLIP	1	
F15-B-27	9CR6-150310	STARTER RELAY	起动继电器	1	
F15-B-28	6KWV-150310-1001	STARTER MOTOR POSITIVE CABLE	启动马达正极线	1	
F15-B-29	31021100	BATTERY	蓄电池	1	
F15-B-30	6KWV-150420-1001	BATTERY NEGATIVE CABLE	蓄电池负极线	1	
F15-B-31	6KWV-150430-1000	GROUND CABLE, FRAME	车架搭铁线	1	
F15-B-35	6KJ0-100002	CLUTCH PULL BINDING	离合器拉锁绑带	6	
F15-B-36	6L30-080006	WIRE CLIP 2, BRAKE FLUID HOSE	制动油管线夹II	2	
F15-B-37	6WWV-170571-5A01	GNSS ANTENNA	GNSS天线	1	
F15-B-38	CFCV-156001-2000-M1	CABLE PROTECTOR	线束连接器护套	1	

灯具/LIGHTS



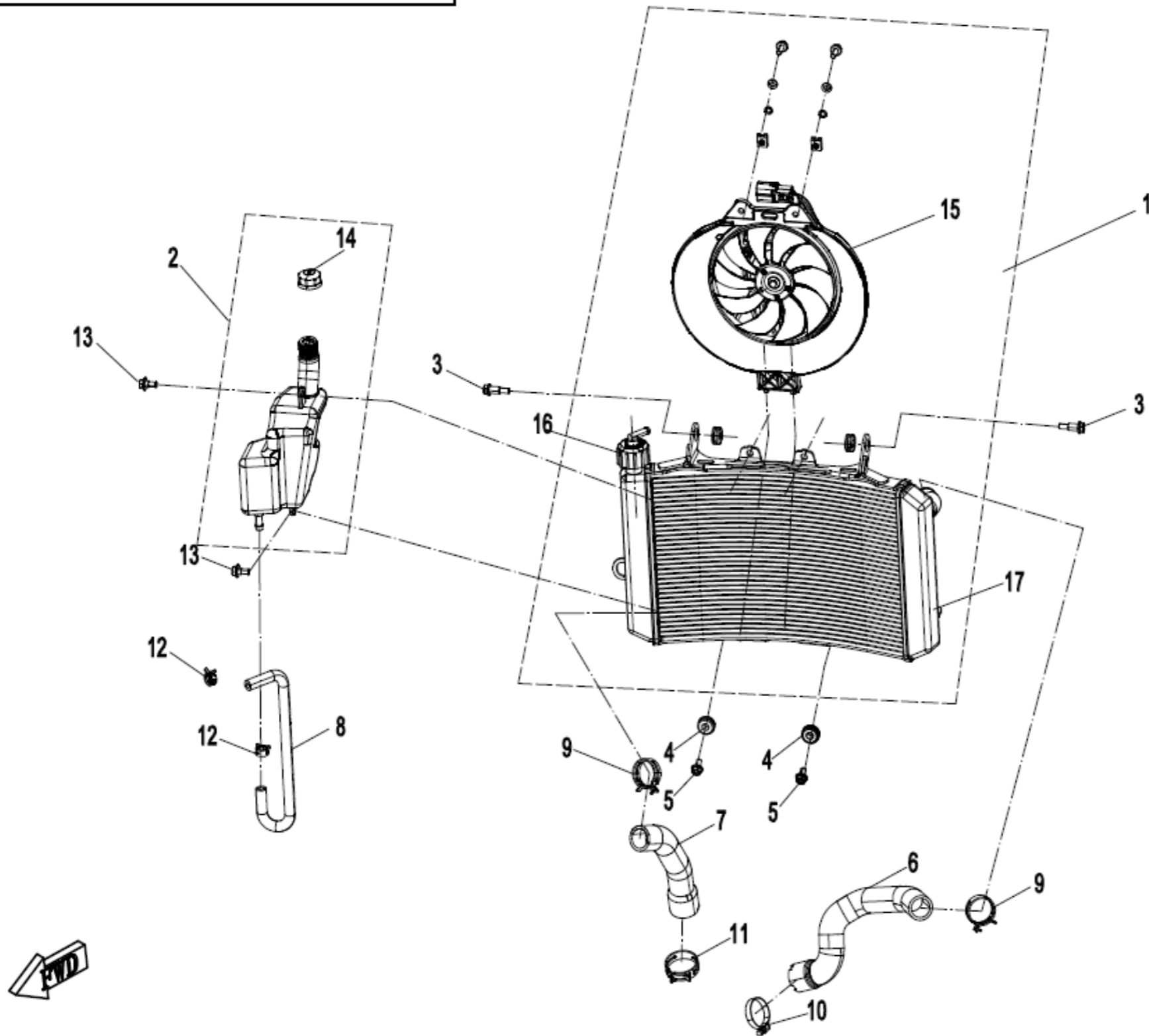
Item No.	Parts Number	Parts Name(EN)	Parts Name(CN)	Qty	Remark(s)
F16-B-1	6KWV-160110-1000	HEADLIGHT	前照灯	1	
F16-B-2	30110-420130070	SELF-TAPPING SCREW ST4.2x13-C-H	自攻螺钉	6	
F16-B-3	6KJV-160920-8001-M1	FRONT SIDE REFLECTOR	前侧反射器	2	
F16-B-4	6KWV-160520-1000	RH FRONT TURN LIGHT ASSY	右前转向灯组合	1	
F16-B-5	0180-014010	WIRE CLIP	线夹组合	2	
F16-B-6	30110-421130010	SCREW ST4.2x13	自攻螺钉	4	
F16-B-7	6KWV-160510-1000	LH FRONT TURN LIGHT ASSY	左前转向灯组合	1	
F16-B-8	6KWV-160540-1000	RH REAR TURN LIGHT ASSY	右后转向灯组合	1	
F16-B-9	6KWV-160533-1000	TURN LIGHT LIMIT RH BRACKET TAPE	转向灯限位右支架胶贴	2	
F16-B-10	6KWV-160531-1000	TURN LIGHT LIMIT BRACKET	转向灯限位支架	2	
F16-B-11	6KWV-160532-1000	TURN LIGHT LIMIT LH BRACKET TAPE	转向灯限位左支架胶贴	2	
F16-B-12	6KWV-160530-1000	LH REAR TURN LIGHT ASSY	左后转向灯组合	1	
F16-B-13	8010-000002	TOOL ST4.2	夹板ST4.2	4	
F16-B-14	8030-040800-00001	NUT CLIP M6	M6螺母夹	1	
F16-B-15	6KWV-160200-1002	TAIL LIGHT	后尾灯	1	
F16-B-16	30006-050012870	BOLT	螺栓	1	
F16-B-17	30110-350095010	SCREW ST3.5x9.5	自攻螺钉	2	
F16-B-18	6GUV-160600-6200	LICENSE LIGHT	牌照灯	1	
F16-B-19	6KM0-160230-00001	REAR REFLECTOR	后反射器	1	
F16-B-20	6KWV-173300-1101	AUXILIARY SIGNAL CONTROLLER	辅助信号控制器	1	
F16-B-21	6KWV-173200-1101	RH AUXILIARY SIGNAL INDICATOR	右辅助信号指示器	1	
F16-B-22	30110-420160070	SCREW	自攻螺钉	2	
F16-B-23	30110-420095010	SELF-TAPPING SCREW ST4.2x9.5	自攻螺钉	2	
F16-B-24	6KWV-173100-1101	LH AUXILIARY SIGNAL INDICATOR	左辅助信号指示器	1	

仪表/DASHBORD ASSY



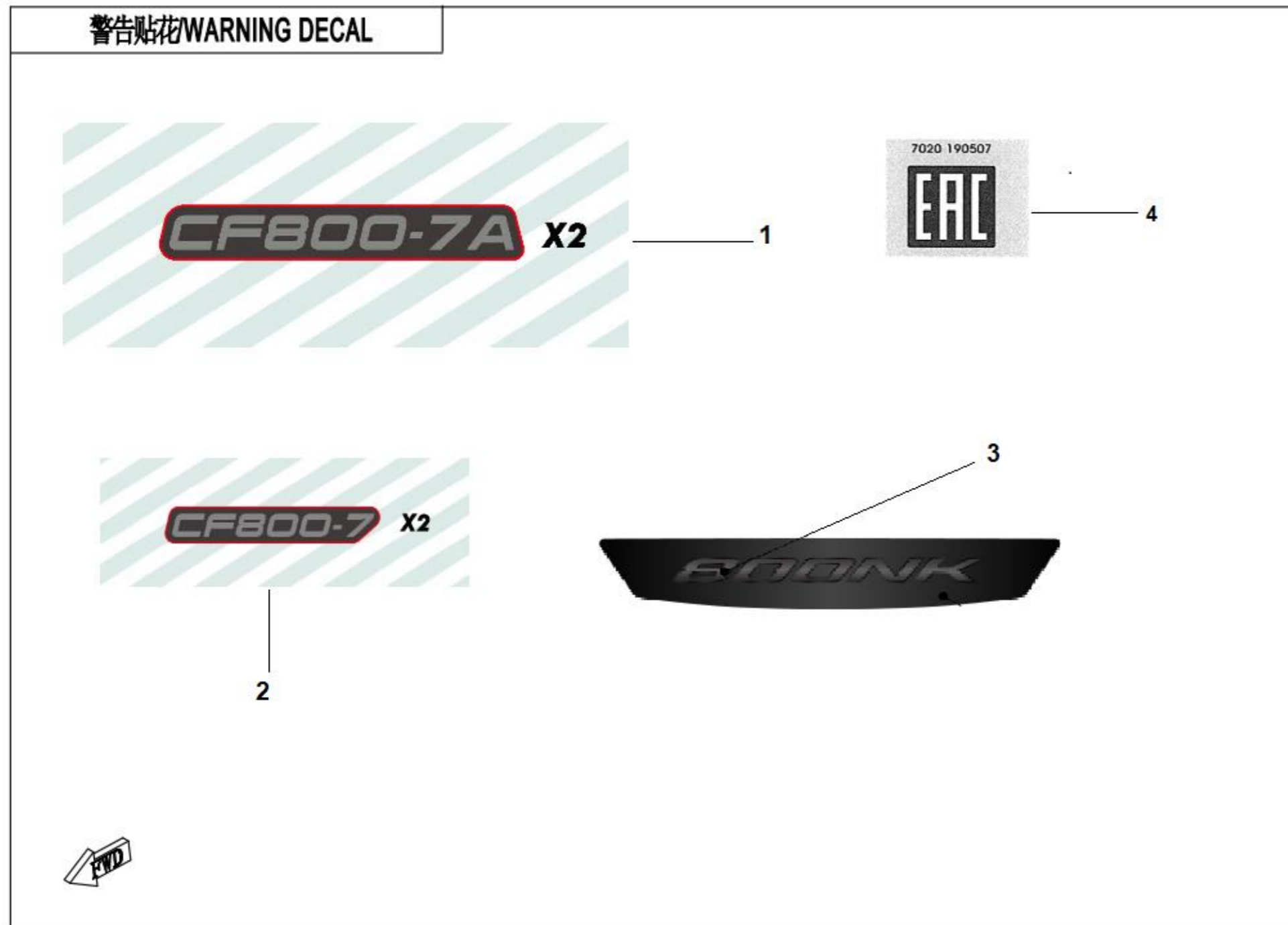
Item No.	Parts Number	Parts Name(EN)	Parts Name(CN)	Qty	Remark(s)
F17-B-1	6KWV-170500-1100-20	MMI DASHBOARD	智能交互中枢	1	

冷却系统/COOLING SYSTEM



Item No.	Parts Number	Parts Name(EN)	Parts Name(CN)	Qty	Remark(s)
F18-1	6KWV-181000-1000	RADIATOR FAN ASSY	散热器风扇组合	1	
F18-2	6KWV-180100-1000	RESERVOIR ASSY	副水箱组合	1	
F18-3	6WWV-180008-5000	STEPPED SCREW M6x25	台阶螺栓M6x25	2	
F18-4	6WWV-180009-5000	THREADED DAMPING RUBBER	带螺纹缓冲胶垫	2	
F18-5	30006-060010810	BOLT M6x10	螺栓	2	
F18-6	6WWV-180001-5000	WATER INLET PIPE, RADIATOR	散热器进水管	1	
F18-7	6KWV-180002-1000	WATER OUTLET PIPE, RADIATOR	散热器出水管	1	
F18-8	6KWV-180004-1000	RESERVOIR PIPE	副水箱连接管	1	
F18-9	6WWV-180006-5000	CLAMP B32	环箍B32	2	
F18-10	6WWV-180007-5000	CLAMP B38	环箍B38	1	
F18-11	30603-040000	CLAMP d40	喉箍d40	1	
F18-12	30601-212570	CLAMP	环箍	2	
F18-13	8010-000004	BOLT M6x14	凸缘螺栓M6x14	2	
F18-14	6KM#-180210-8000-20	RESERVOIR TANK COVER	副水箱盖	1	
F18-15	6WWV-181010-5000	FAN MOTOR ASSY	电机风扇组件	1	
F18-16	6GUV-181010-6001	FILLER CAP ASSY	加水口盖组合	1	
F18-17	6KWV-181100-1000	RADIATOR ASSY	散热器焊接组件	1	

F19-1 标贴 LABEL



Item No.	Parts Number	Parts Name(EN)	Parts Name(CN)	Qty	Remark(s)
F19-1	6KWV-190006-1100-10	MODEL DECAL	型号贴花	1	
F19-2	6KWV-190006-1000-10	MODEL DECAL	型号贴花	1	
F19-3	6KWV-190008-1001	FUEL TANK UPPER DECO GUARD LABEL	油箱上装饰罩标贴	1	
F19-4	7020-190507	EAC LABEL	EAC标贴	1	

6KWV-190100-1001-10 个性贴花总成

星光白车色



贴花底材图例
透明亮光
透明哑光

使用透明面料，亚光光油

① 工件：油箱右装饰板
材质：ABS
尺寸：329*104



② 工件：油箱左装饰板
材质：ABS
尺寸：321*104



③ 工件：散热器右装饰板
材质：PP-TD10
尺寸：118*34



④ 工件：散热器左装饰板
材质：PP-TD10
尺寸：118*34



⑤ 工件：导流装饰罩
材质：PC
尺寸：104*55



⑥ 工件：前挡泥板装饰板
材质：ABS
尺寸：122*63



⑦ 工件：后坐垫后装饰板
材质：ABS
尺寸：95*27



⑧ 工件：后坐垫后装饰板
材质：ABS
尺寸：95*27



⑨ 工件：前、后轮辋
材质：铸铝
数量：*4
尺寸：471*185



⑩ 工件：前、后轮辋
材质：铸铝
数量：*4
尺寸：451*156

⑪ 工件：前挡泥板右侧
材质：PA-ASA
尺寸：267*57



⑫ 工件：前挡泥板左侧
材质：PA-ASA
尺寸：267*57

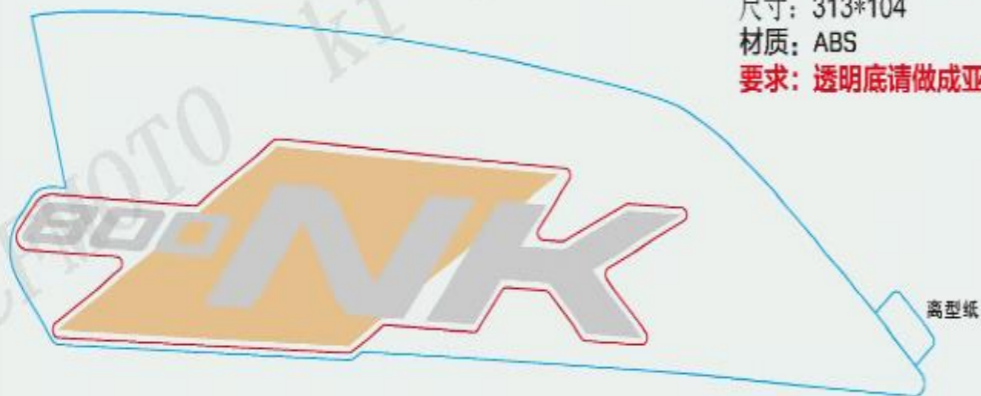
使用透明面料 亮光光油

Item No.	Parts Number	Parts Name(EN)	Parts Name(CN)	Qty	Remark(s)
F19-3-1	6KWV-190101-1000-10	DECAL, FUEL TANK RH DECO PLATE	油箱右装饰板贴花	1	
F19-3-2	6KWV-190102-1000-10	DECAL, FUEL TANK LH DECO PLATE	油箱左装饰板贴花	1	
F19-3-3	6KWV-190103-1000-10	RADIATOR RH DECO PLATE DECAL	散热器右装饰板贴花	1	
F19-3-4	6KWV-190104-1000-10	RADIATOR LH DECO PLATE DECAL	散热器左装饰板贴花	1	
F19-3-5	6KWV-190105-1000-10	REAR SEAT REAR DECO PLATE DECAL	导流装饰罩贴花	1	
F19-3-6	6KWV-190106-1000-10	FRONT FENDER DECO PLATE DECAL	前挡泥板装饰板贴花	1	
F19-3-7	6KWV-190107-1000-10	ABS DECAL	后坐垫后装饰板贴花 I	1	
F19-3-8	6KWV-190108-1000-10	REAR SEAT REAR DECO PLATE DECAL 2	后坐垫后装饰板贴花 II	1	
F19-3-9	6KWV-190109-1000-10	FRONT AND REAR RIM DECAL 1	前后轮辋贴花 I	4	
F19-3-10	6KWV-190110-1001-10	ABS DECAL 1	ABS贴花 I	1	
F19-3-11	6KWV-190111-1001-10	ABS DECAL 2	ABS贴花 II	1	
F19-3-12	6KWV-190112-1000-10	FRONT AND REAR RIM DECAL 2	前后轮辋贴花 II	4	
F19-3-13	6KWV-190100-1001-10	DECAL ASSY	个性贴花总成	1	

F19-4 贴花(锆石黑) DECAL(ZIRCON BLACK)

使用透明面料 亮光光油

- ① 工件: 油箱右装饰板
尺寸: 313*104
材质: ABS
要求: 透明底请做成亚光状态



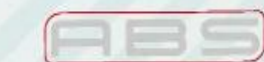
- ② 工件: 油箱左装饰板
尺寸: 317*104
材质: ABS
要求: 透明底请做成亚光状态



- ③ 工件: 散热器右装饰板
尺寸: 118*34
材质: PP-TD10
借用星光白车色



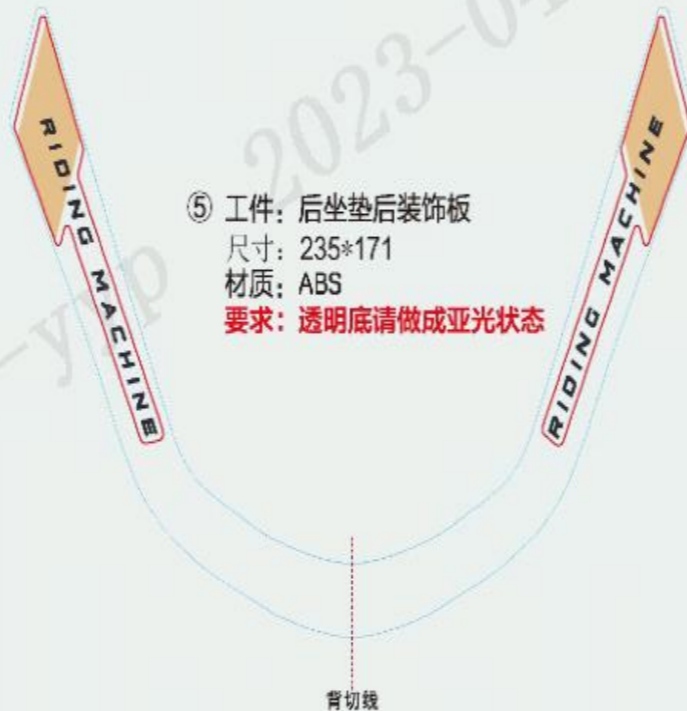
- ④ 工件: 散热器左装饰板
尺寸: 118*34
材质: PP-TD10
借用星光白车色



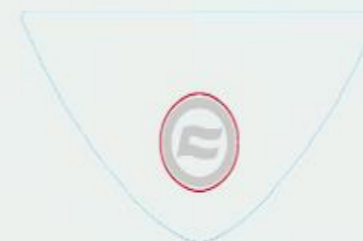
- ⑦ 工件: 前挡泥板
尺寸: 75*14
材质: PA-ASA
数量: *2

使用透明面料 亚光光油

- ⑤ 工件: 后坐垫后装饰板
尺寸: 235*171
材质: ABS
要求: 透明底请做成亚光状态



- ⑥ 工件: 前挡泥板装饰板
尺寸: 122*63
材质: ABS

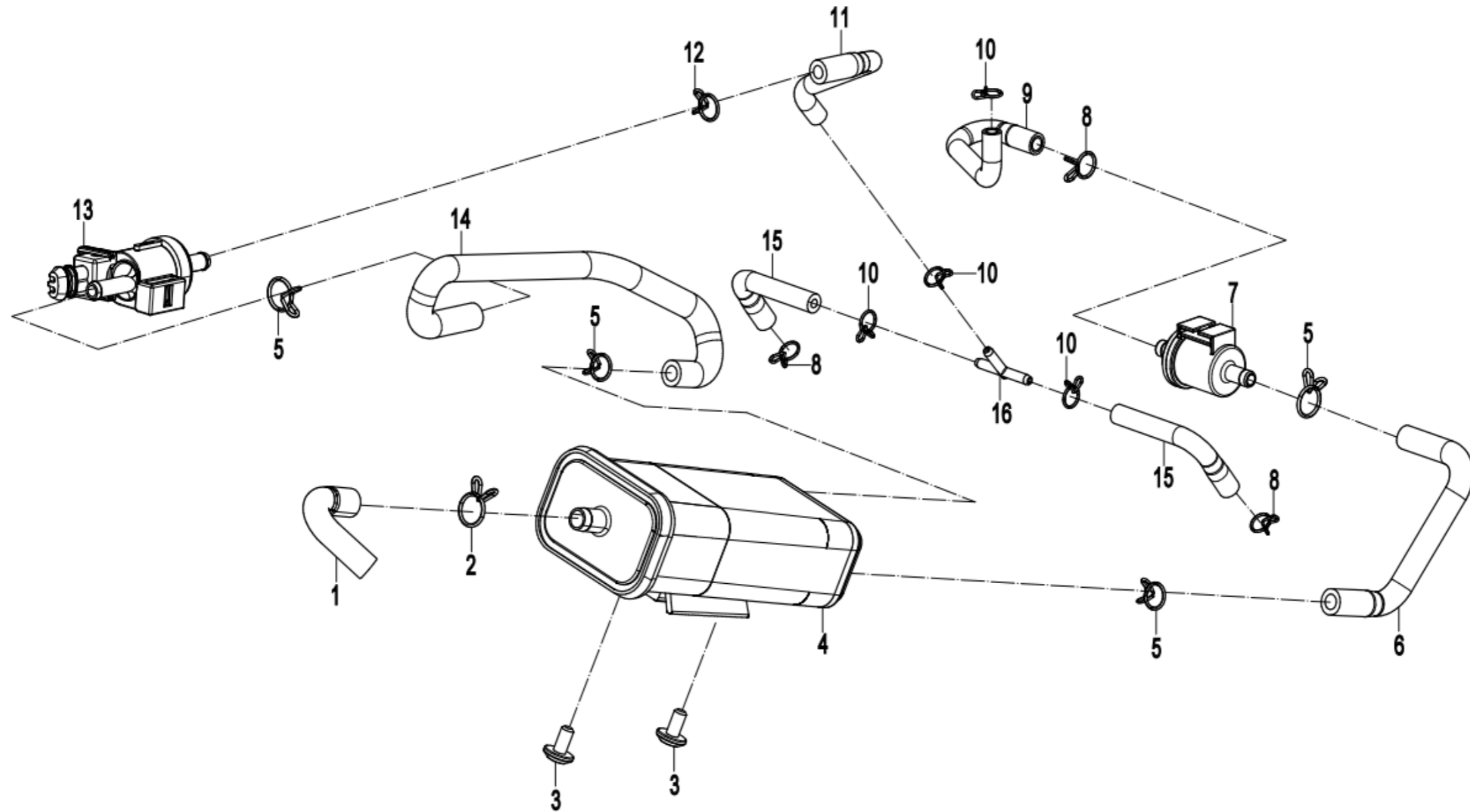


- ⑧ 工件: 导流装饰罩
尺寸: 55*104
材质: PC
借用星光白车色



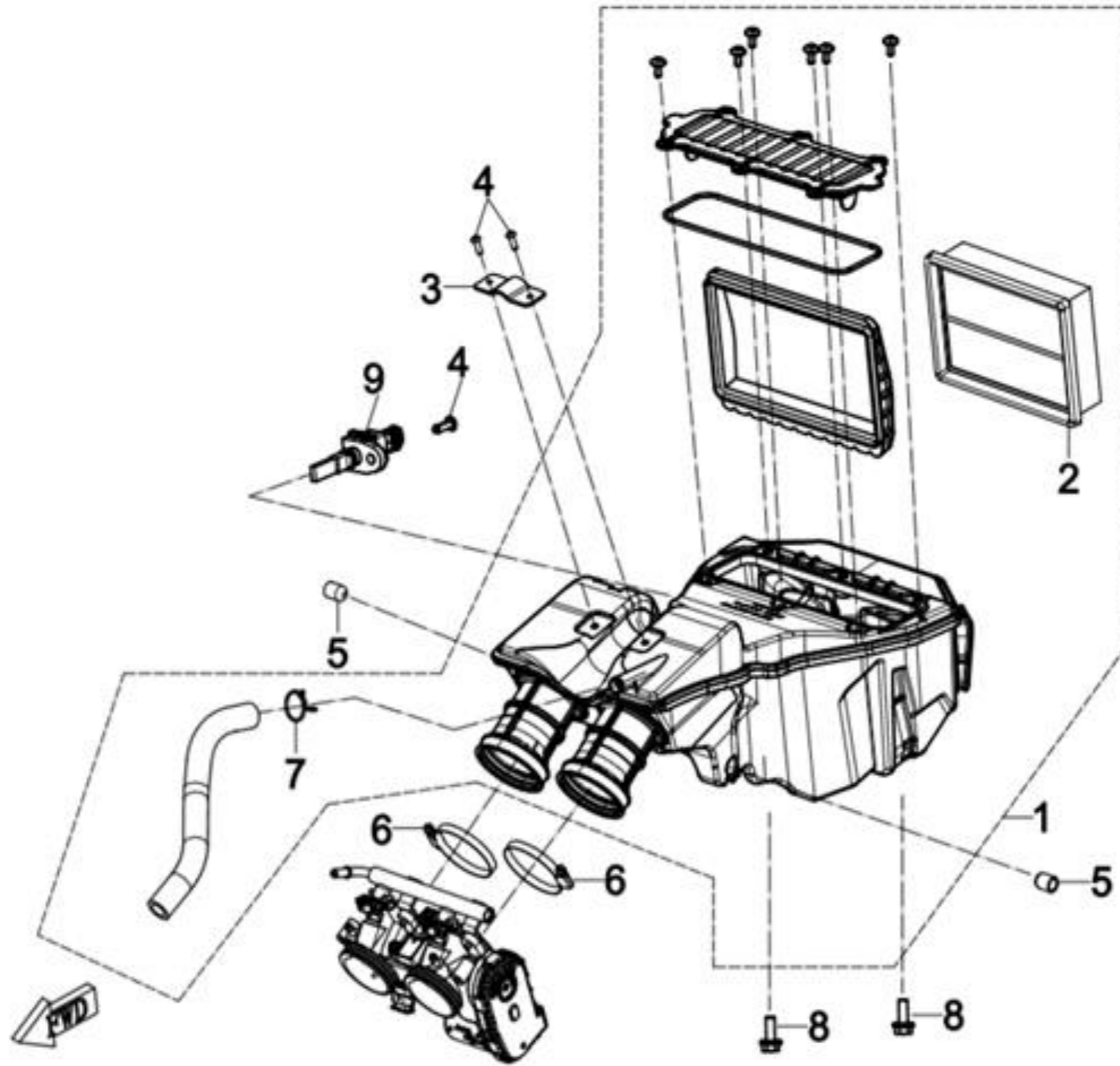
Item No.	Parts Number	Parts Name(EN)	Parts Name(CN)	Qty	Remark(s)
F19-4-1	6KWV-190101-1000-11	FUEL TANK RH DECO PLATE DECAL	油箱右装饰板贴花	1	
F19-4-2	6KWV-190102-1000-11	FUEL TANK LH DECO PLATE DECAL	油箱左装饰板贴花	1	
F19-4-3	6KWV-190103-1000-10	RADIATOR RH DECO PLATE DECAL	散热器右装饰板贴花	1	
F19-4-4	6KWV-190104-1000-10	RADIATOR LH DECO PLATE DECAL	散热器左装饰板贴花	1	
F19-4-5	6KWV-190105-1000-11	REAR SEAT REAR DECO PLATE DECAL	后座垫后装饰板贴花	1	
F19-4-6	6KWV-190106-1000-11	FRONT FENDER DECO PLATE DECAL	前挡泥板装饰板贴花	1	
F19-4-7	6KWV-190107-1000-11	ABS DECAL	ABS贴花	2	
F19-4-8	6KWV-190105-1000-10	REAR SEAT REAR DECO PLATE DECAL	导流装饰罩贴花	1	
F19-4-9	6KWV-190100-1000-11	DECAL ASSY	个性贴花总成	1	

燃油蒸发系统/FUEL VAPOION SYSTEM



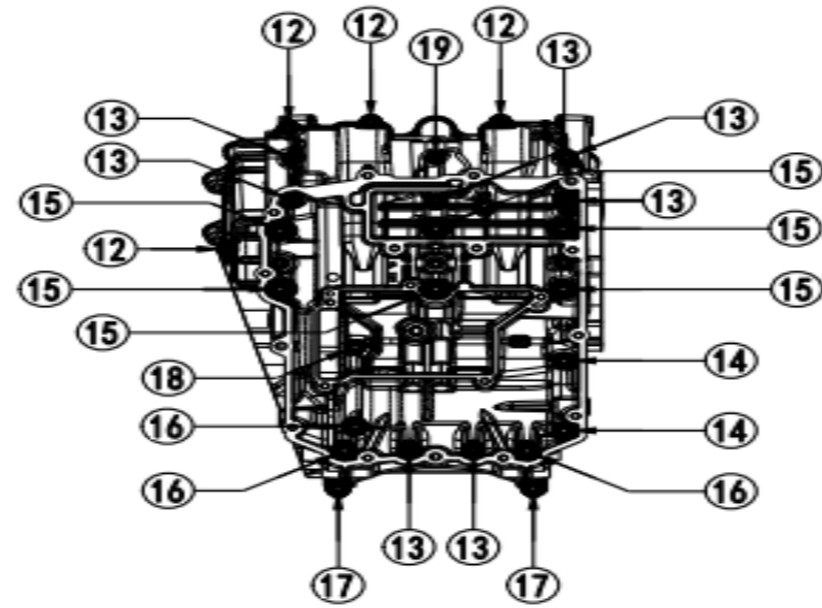
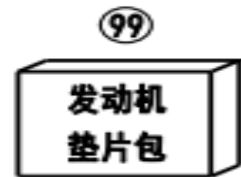
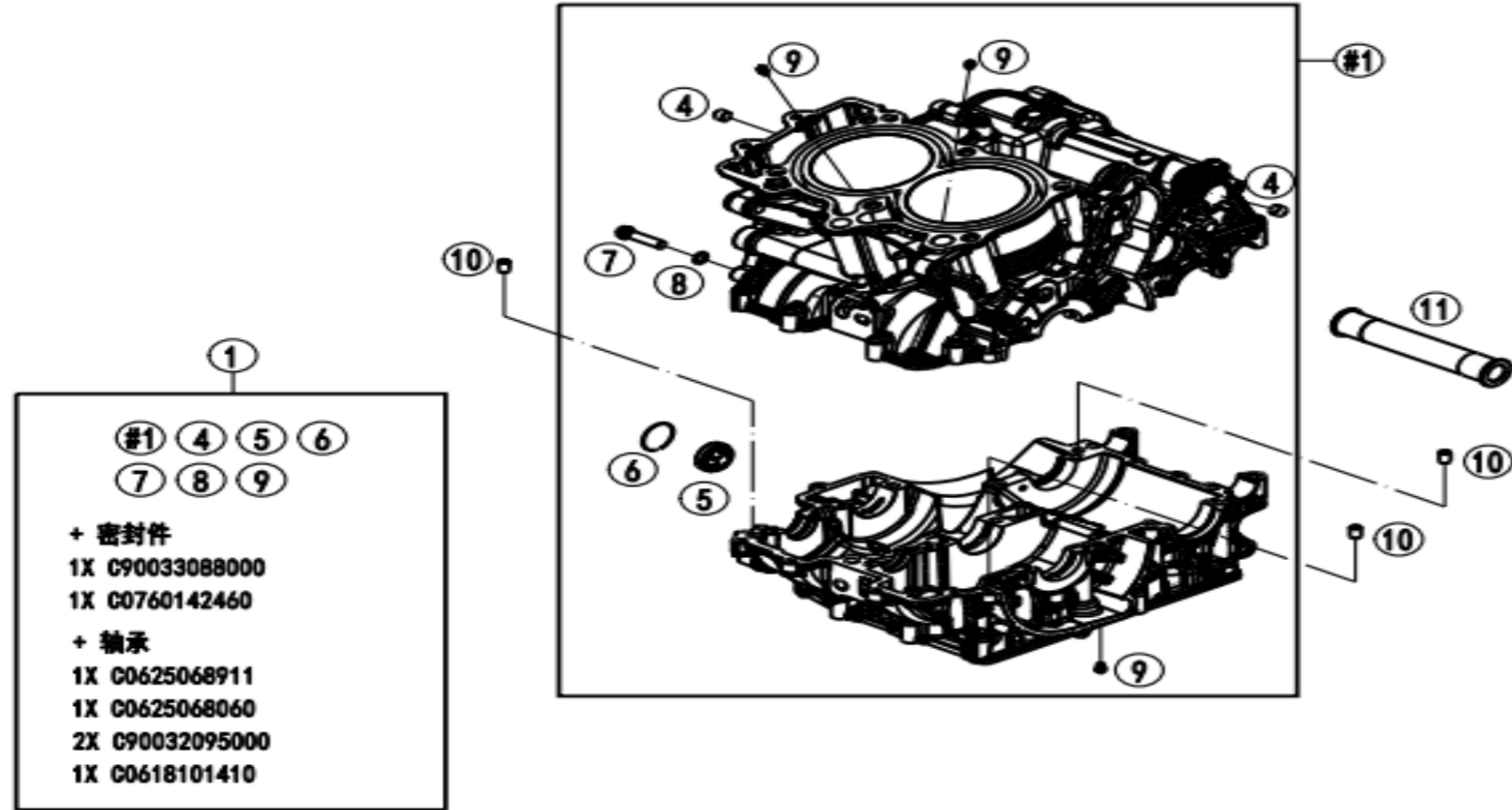
Item No.	Parts Number	Parts Name(EN)	Parts Name(CN)	Qty	Remark(s)
F36-1	6WWV-360006-5000	AIR PIPE, CANISTER	炭罐空气管	1	
F36-2	30601-113010	CLAMP A13	环箍	1	
F36-3	6WWV-046702-5000	INNER HEX SCREW M6x12	M6x12内六角螺钉	2	
F36-4	6WWV-360200-5000	CANISTER	炭罐	1	
F36-5	30601-112010	CLAMP A12	环箍	4	
F36-6	6KWV-360002-1000	FUEL ADSORPTION PIPE 2	燃油吸附管II	1	
F36-7	6WWV-360010-5000	TWO-WAY VALVE	双向阀	1	
F36-8	30601-110010	CLAMP A10	环箍	3	
F36-9	6KWV-360001-1000	FUEL ADSORPTION PIPE 1	燃油吸附管I	1	
F36-10	30601-109010	CLAMP A9	环箍	4	
F36-11	6WWV-360004-5000	FUEL DESORPTION PIPE 2	燃油脱附管II	1	
F36-12	30601-111010	CLAMP A11	环箍A11	1	
F36-13	1F30-172000	CANISTER MAGNETIC VALVE	炭罐电磁阀	1	
F36-14	6KWV-360003-1000	FUEL DESORPTION PIPE 1	燃油脱附管I	1	
F36-15	6WWV-360005-5000	FUEL DESORPTION PIPE 3	燃油脱附管III	2	
F36-16	8010-360001	VACUUM T-JOINT	负压三通接头	1	

空濾器/AIR FILTER

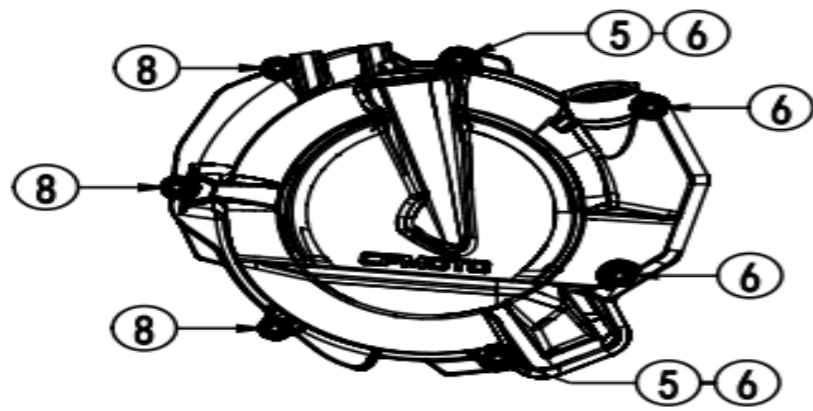
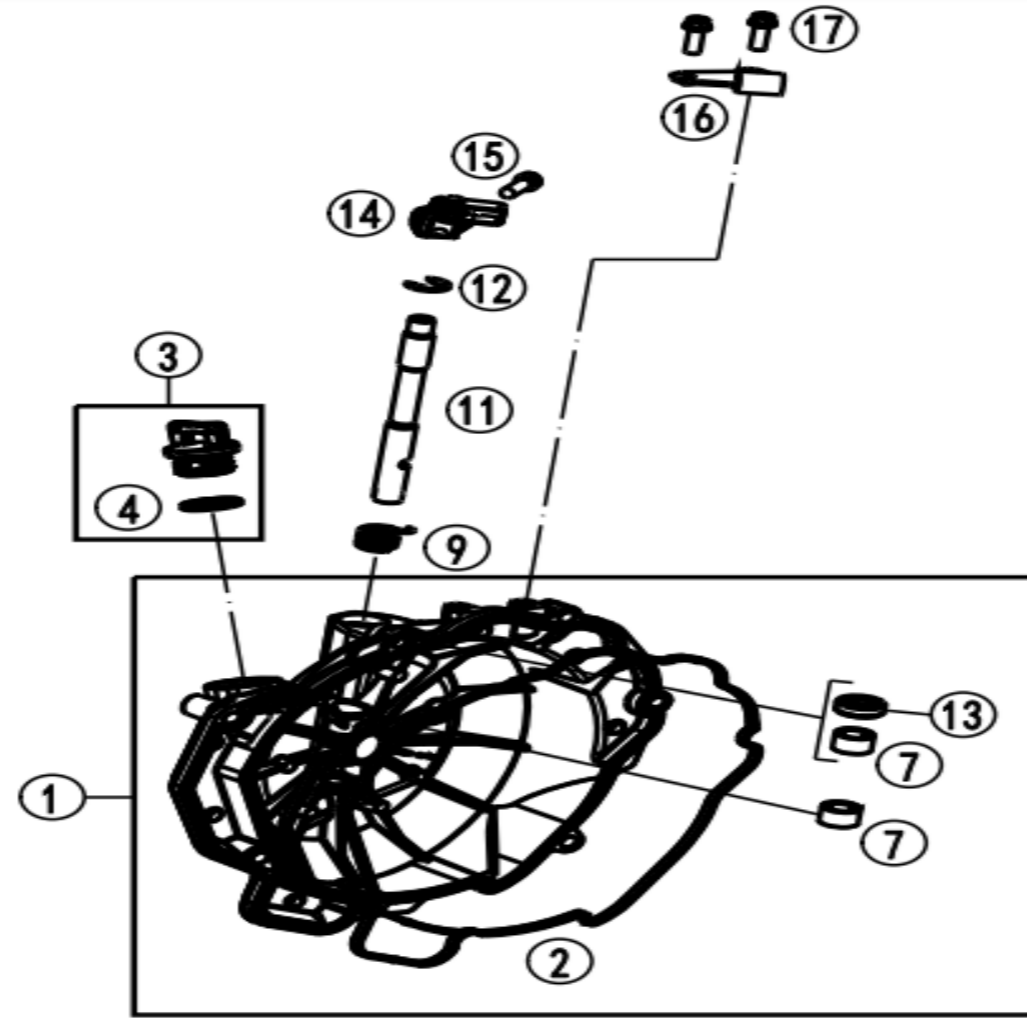


Item No.	Parts Number	Parts Name(EN)	Parts Name(CN)	Qty	Remark(s)
F41-1	0PWV-110000-1000	AIR FILTER ASSY	空滤器总成	1	
F41-2	0PWV-112000-1000	FILTER ELEMENT	滤芯组件	1	
F41-3	0PWV-110007-1000	CABLE CLAMP	电缆压板	1	
F41-4	30110-480160070	SELF-TAPPING SCREW	自攻螺钉	3	
F41-5	0PW0-110005	RUBBER CONNECTOR	橡胶插件	2	
F41-6	9010-020007	A-TYPE SCREW CLAMP	A型螺钉环箍 (50-70)	2	
F41-7	30601-118010	CLAMP A18	环箍	1	
F41-8	30006-060012870	BOLT M6x12	螺栓M6x12	2	ALT:- 30006-060012810
F41-9	0PW0-173100	AIR INTAKE TEMP. SENSOR	进气温度传感器	1	

E01-1 箱体组件 ENGINE CASE

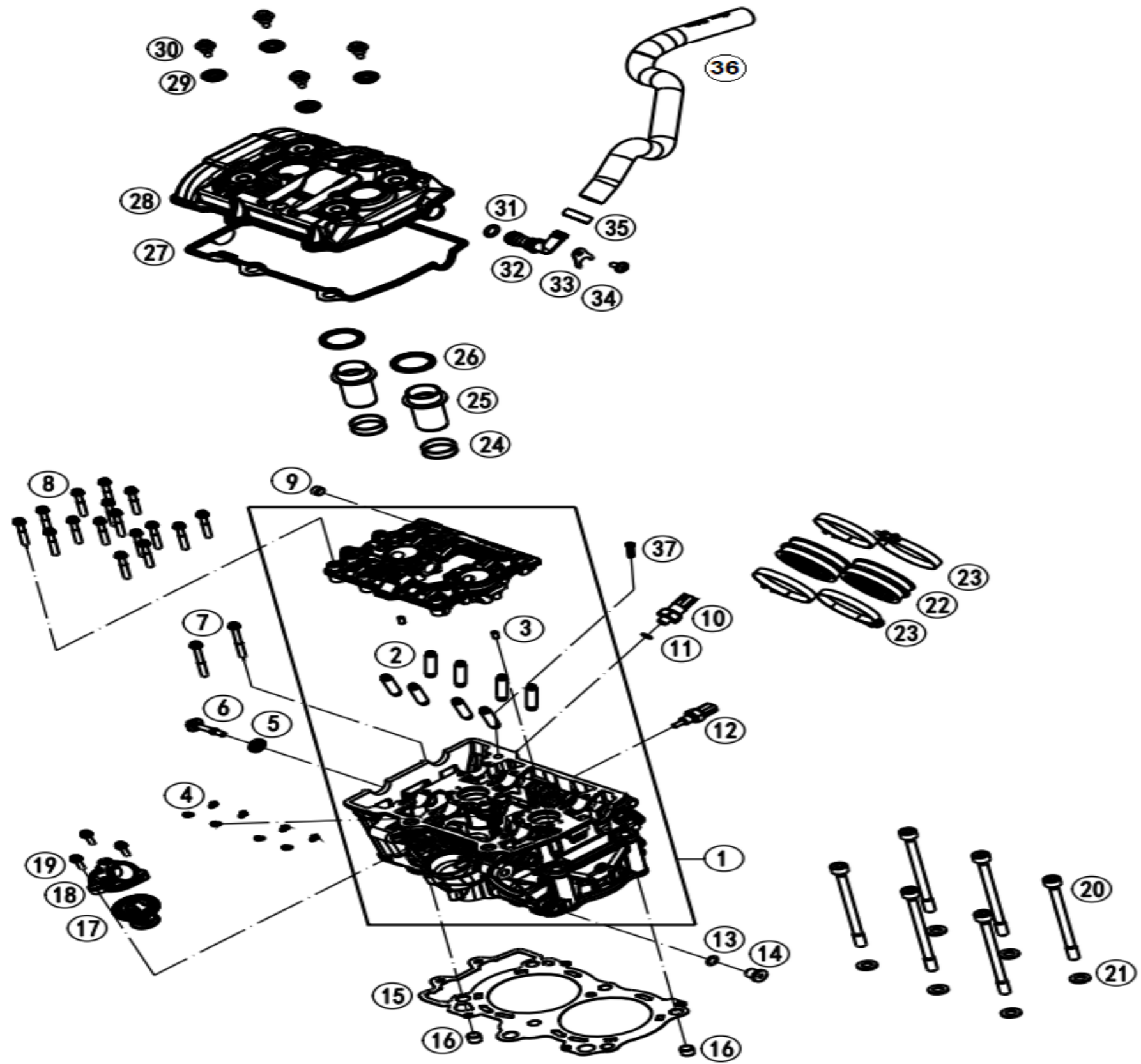


Item No.	Parts Number	Parts Name(EN)	Parts Name(CN)	Qty	Remark(s)
E01-1-1	C9003000024424	ENGINE CASE CPL.	箱体合箱总成	1	
E01-1-1	C90030000244FBP	ENGINE CASE CPL.	箱体合箱总成	1	
E01-1-4	C0906100100	SCREW 10X1-8 DIN 906	内六角螺塞M10X1	2	
E01-1-5	C90030019200	OIL LEVEL VIEWER	油位镜	1	
E01-1-6	C90030019050	CIRCLIP RB30X1	弹性挡圈RB30X1	1	
E01-1-7	C0025080356	SCREW. M8X35	内梅花六角法兰面螺栓M8X35	1	
E01-1-8	C0603082131	CU RING D8,2/13/1	密封垫8.2x13x1	1	
E01-1-9	C90030063070	PISTON NOZZLE	喷油嘴70/M5	3	
E01-1-10	C90030024000	FITTING SLEEVE 6X8X11	定位销6x8x11	3	
E01-1-11	C90030010000	SWING ARM BUSH	摇臂衬套	1	
E01-1-12	C00002506030U0	HEX COLLAR SCR.,M6X30,ISA 40 W.WASHER	自带垫片螺栓M6X30	4	
E01-1-13	C00002506060U0	HEX COLLAR SCR.,M6X60,ISA 30 W.WASHER	自带垫片螺栓M6X60	7	
E01-1-14	C0025080906	SCREW M8X90	内梅花六角法兰面螺栓M8X90	2	
E01-1-15	C00002508090U0	HEX COLLAR SCR.,M8X90,ISA 40 W.WASHER	自带垫片螺栓M8X90	6	
E01-1-16	C0025080656	SCREW M8X65	内梅花六角法兰面螺栓M8X65	3	
E01-1-17	C0025080556	SCREW M8X55	内梅花六角法兰面螺栓M8X55	2	
E01-1-18	C0025080456	SCREW M8X45	内梅花六角法兰面螺栓M8X45	1	
E01-1-19	C00002508065U0	HEX COLLAR SCR.,M8X65,ISA 40 W.WASHER	自带垫片螺栓M8X65	1	
E01-1-99	C90030099000	GASKET-SET	发动机垫片包	1	



Item No.	Parts Number	Parts Name(EN)	Parts Name(CN)	Qty	Remark(s)
E01-2-1	C9003000114424	CLUTCH COVER CPL.	离合器盖组件	1	
E01-2-1	C90030001144FBP	CLUTCH COVER CPL.	离合器盖组件	1	
E01-2-2	C90030025100	MOLD RING CLUTCH COVER	离合器盖密封垫	1	
E01-2-3	C90030020100FHB	OIL PLUG CPL. M24X3	加油塞组合M24x3	1	
E01-2-4	C90030020100	PLUG COMPL. M24X3	加油塞组合M24x3	1	
E01-2-5	C0770191015	O-RING	O型圈	1	
E01-2-6	C90030024000	FITTING SLEEVE 6X8X11	定位销6x8x11	2	
E01-2-7	C0025060356	SCREW M6X35	内梅花六角法兰面螺栓M6X35	4	
E01-2-8	C0618121610	NEEDLE SLEEVE HK1210 12/16/10	冲压外圈滚针轴承12x16x10	2	
E01-2-9	C0025060256	SCREW M6X25	内梅花六角法兰面螺栓M6X25	3	
E01-2-10	C90032048003	RETURN SPRING RELEASE LEVER	复位弹簧	1	
E01-2-11	C90032049000	RELEASE SHAFT	离合器分离轴	1	
E01-2-12	C0799090003	LOCKING WASHER	开口挡圈9	1	
E01-2-13	C0760122060	SEAL 12/20/6	油封12x20x6	1	
E01-2-14	C90032148033	RELEASE LEVER ASSEMBLY	分离摇臂组件	1	
E01-2-15	C014580060206S	CYL. SCREW M6X20	梅花槽圆柱头螺钉M6X20	2	
E01-2-16	C90032052100	CABLE RETAINING BRACKET	拉线固定夹	1	
E01-2-17	C0025060166S	SCREW M6X16	内梅花六角法兰面螺栓M6X16	2	

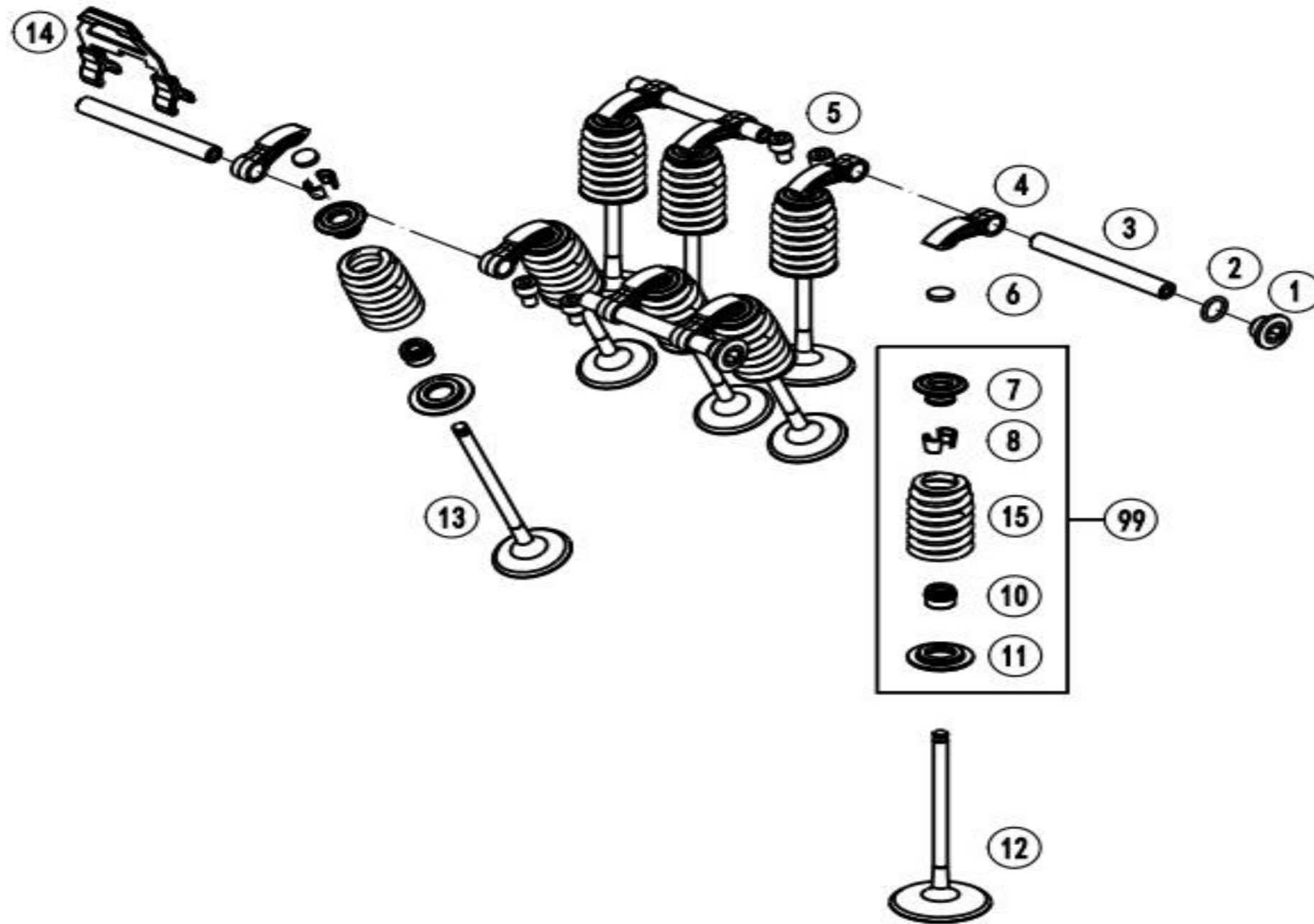
E02-1 气缸盖 CYLINDER HEAD



Item No.	Parts Number	Parts Name(EN)	Parts Name(CN)	Qty	Remark(s)
E02-1-1	C9003602010024	CYLINDER HEAD	气缸盖组件	1	
E02-1-1	C90036020100FBP	CYLINDER HEAD	气缸盖组件(莫德灵黑)	1	
E02-1-2	C90036025000	VALVE GUIDE INLET+EXHAUST	进排气门导管	8	
E02-1-3	C0402050980	NEEDLE ROLLER 5X9.8	圆柱销d5x9.8	2	
E02-1-4	C90030063050	OIL PRESSURE NOZZLE M5 50	喷油嘴50/M5	8	
E02-1-5	C90036052010	DECOUPLING	减震螺栓密封垫	1	
E02-1-6	C90036055000	VALVE MECHANISM COVER SCREW	气缸盖减震螺栓	1	
E02-1-7	C0025060556	SCREW M6X55	内梅花六角法兰面螺栓M6X55	2	
E02-1-8	C0025060405	SCREW M6X40	螺栓M6X40	16	
E02-1-9	C0906100100	SCREW 10X1-8 DIN 906	内六角螺塞M10X1	1	
E02-1-10	C90038091000	OIL PRESSURE SWITCH	机油压力传感器	1	
E02-1-11	C07700900151	O-RING 9X1,5	O型圈9x1.5	1	
E02-1-12	C90035047000	COOLANT TEMPERATURE SENSOR	水温传感器	1	
E02-1-13	C0770100020	O-RING	O型圈10x2	1	
E02-1-14	C0908120153	SCREW M12X1,5	内六角带垫螺塞M12X1.5	1	
E02-1-15	C90030036300	CYLINDER HEAD GASKET	气缸盖垫片	1	
E02-1-16	C90030014100	PASS BUSHING 10,2/12,5/10	定位销10.2x12.5x10	2	
E02-1-17	C90035017000	THERMOSTAT 76°C	节温器76°C	1	
E02-1-18	C63635019000	COOLANT CONNECTION	节温器盖组合	1	
E02-1-19	C0025050166S	SCREW M5X16	内梅花六角法兰面螺栓M5X16	3	
E02-1-20	C90030044000	CYLINDER HEAD SCREW M10	气缸盖螺栓M10	6	
E02-1-21	C90036089010	WASHER 10,5/19/2,5	垫圈10.5X19X2.5	6	
E02-1-22	C90036044000	INTAKE RUBBER	进气歧管	2	
E02-1-23	C61236048000	HOSE CLAMP D66	管夹d66	4	
E02-1-24	C0770298178	O-RING 29,87X1,78	O型圈29.87X1.78	4	
E02-1-25	C63536075000	SPARK PLUG SHAFT INSERT	点火线圈套管	2	
E02-1-26	C90036075050	GASKET SPARK PLUG SHAFT INSERT	套管密封垫	2	
E02-1-27	C90036053000	VALVE MANISM COVER GASKET	气缸盖罩密封垫	1	
E02-1-28	C90036052000FBP	VALVE MECHANISM COVER RAW PART	气缸盖罩	1	
E02-1-29	C90036054160	DECOUPLING ELEMENT	密封圈10.65x23x5	4	
E02-1-30	C90036054150	VALVE COVER SCREW	缸盖罩螺栓M6	4	
E02-1-31	C0770012030	O-RING 12X3 VITON	O型圈12x3	1	
E02-1-32	C90036081000	ANGLE PIECE BLEEDER	呼吸管接头	1	

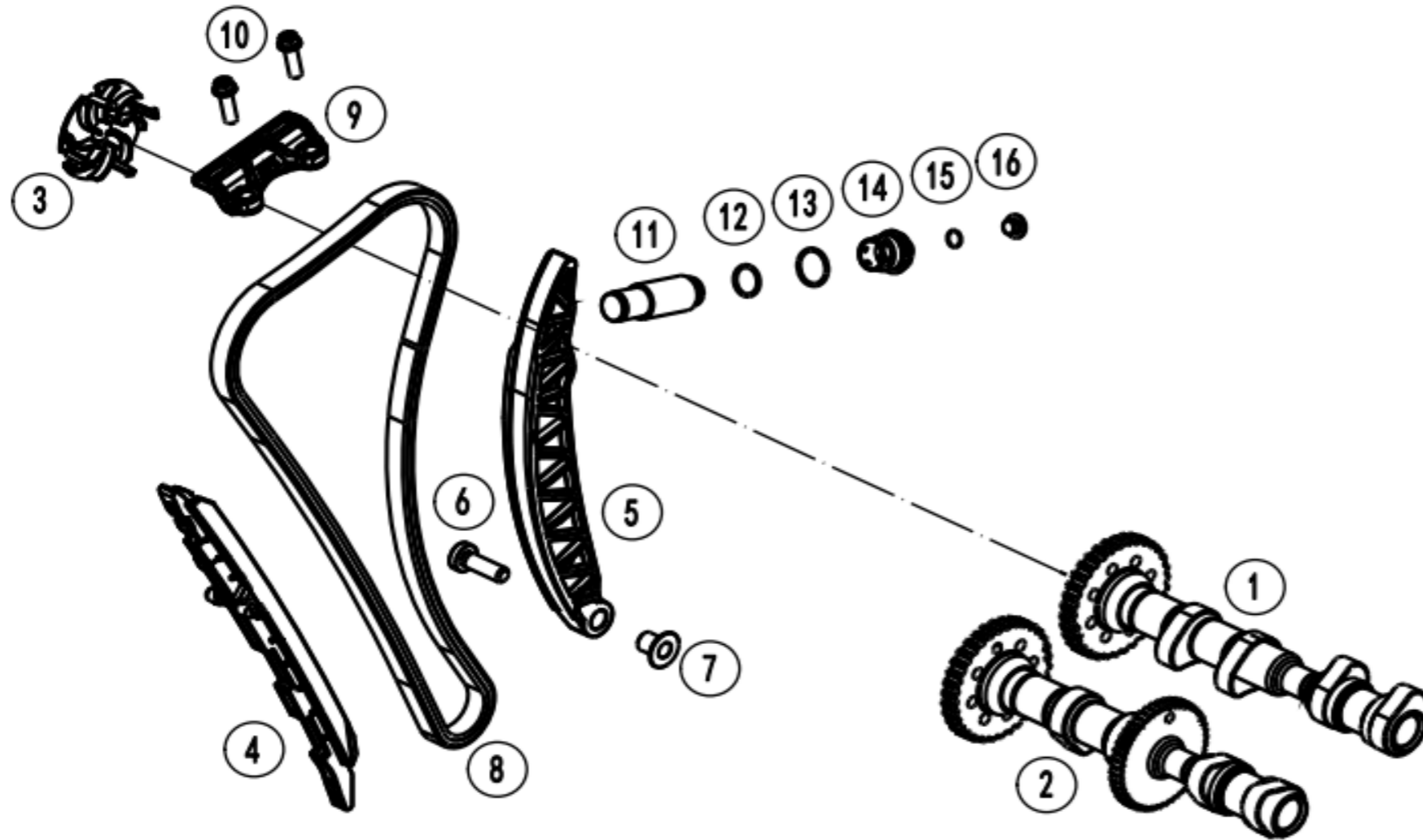
Item No.	Parts Number	Parts Name(EN)	Parts Name(CN)	Qty	Remark(s)
E02-1-33	C90036082150	RETAINING BRACKET ANGLE PIECE	呼吸管接头压板	1	
E02-1-34	C0025060126	SCREW M6X12	内梅花六角法兰面螺栓M6X12	1	
E02-1-35	C00050198706	VARIABLE ONE-YEAR CLAMP 19.8MM	单耳无级环箍19.8	1	
E02-1-36	C90030087100	ENIGNE BREATHER HOSE	呼吸器管	1	
E02-1-37	C90038016000	OIL SCREEN	机油滤网	1	
E02-1-38	C63505015000	STUD M8X25	双头螺柱	1	

E02-2 气门 VALVE DRIVE



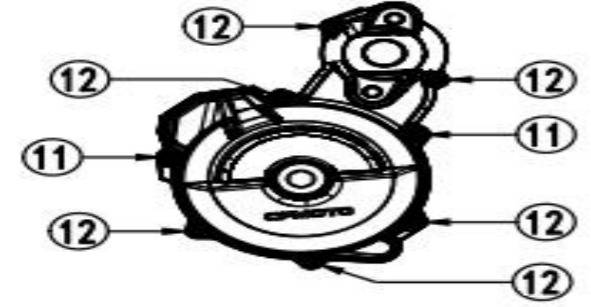
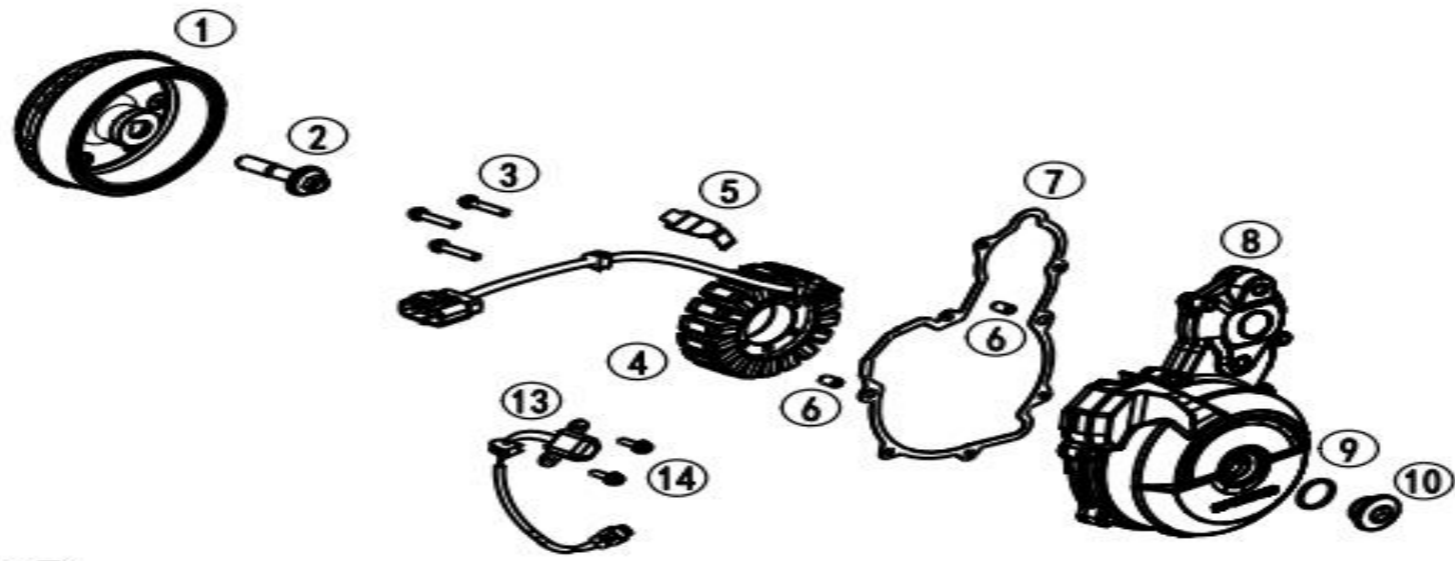
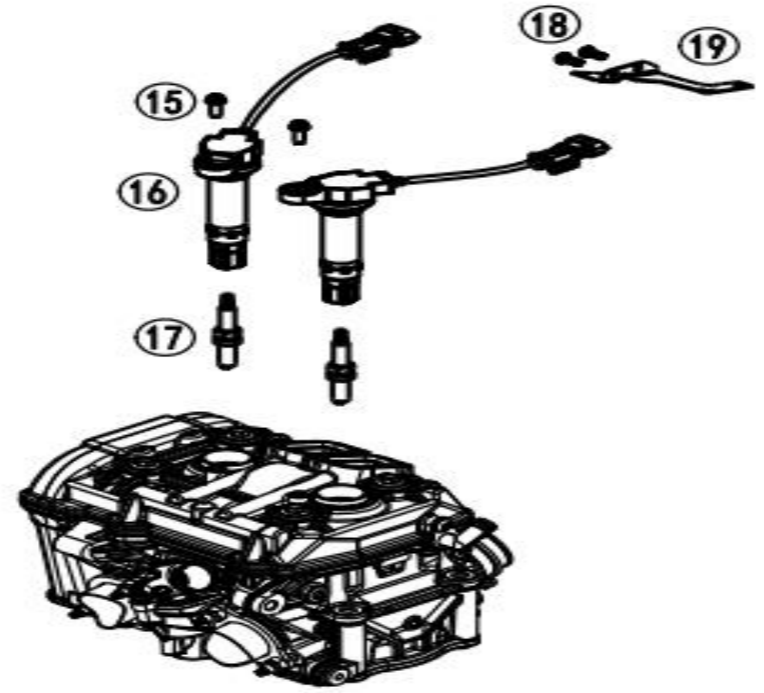
Item No.	Parts Number	Parts Name(EN)	Parts Name(CN)	Qty	Remark(s)
E02-2-1	K-77236080000	SCREW PLUG	SCREW PLUG	2	
E02-2-2	C07700900151	O-RING 9X1,5	O型圈9x1.5	2	
E02-2-3	C90036056000	CAM FOLLOWER SHAFT	指形摇臂轴	4	
E02-2-4	C90036360000	CAM FELLOWER	指形摇臂	8	
E02-2-5	C0912050083	CAP HEAD BOLT DIN 912 M5X8	内六角圆柱头螺栓M5x8	4	
E02-2-6	C90036035220	SHIM D8,9 T=2.20	气门间隙调整垫片D8.9厚度2.20	X	
E02-2-6	C90036035224	SHIM D8,9 T=2.24	气门间隙调整垫片D8.9厚度2.24	X	
E02-2-6	C90036035228	SHIM D8,9 T=2.28	气门间隙调整垫片D8.9厚度2.28	X	
E02-2-6	C90036035232	SHIM D8,9 T=2.32	气门间隙调整垫片D8.9厚度2.32	X	
E02-2-7	C90036032100	VALVE SPRING RETAINER	气门弹簧上座	8	
E02-2-8	C90036033000	VALVE COLLET	气门锁夹	16	
E02-2-10	C90036027100	VALVE GUIDE SEALING	气门杆密封圈	8	
E02-2-11	C90036036000	VALVE SPRING WASHER	气门弹簧下座	8	
E02-2-12	C90036030000	INLET VALVE	进气门	4	
E02-2-13	C90036031000	EXHAUST VALVE	排气门	4	
E02-2-14	C90036056050	AXIALCLIP FOR CAM FOLLOWER	摇臂定位夹组件	1	
E02-2-15	C90036028100	VALVE SPRING	气门弹簧	8	
E02-2-99	C90036028044	VALVE SPRING KIT	气门弹簧座圈套件	1	

E02-3 正时 TIMING DRIVE



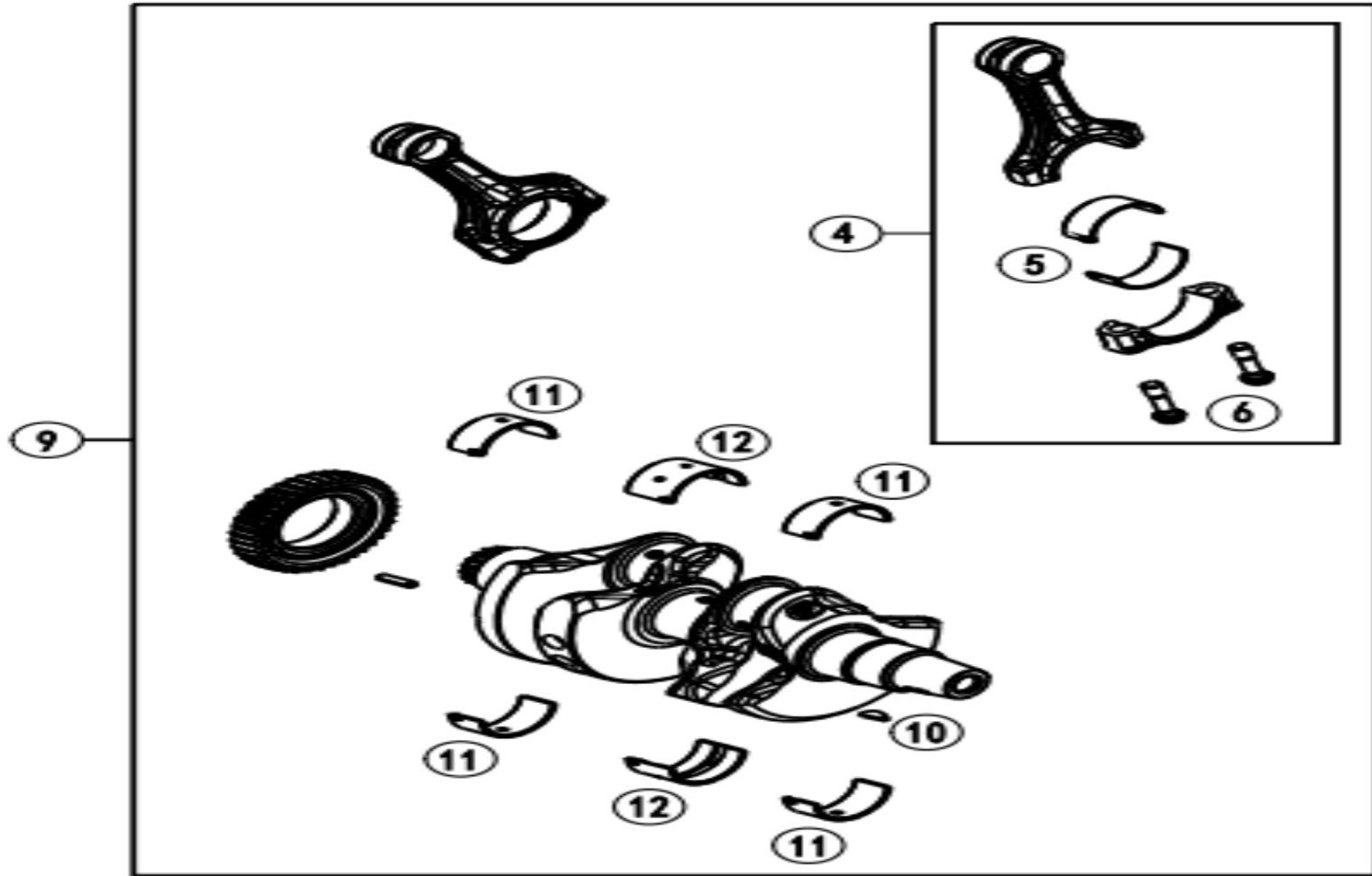
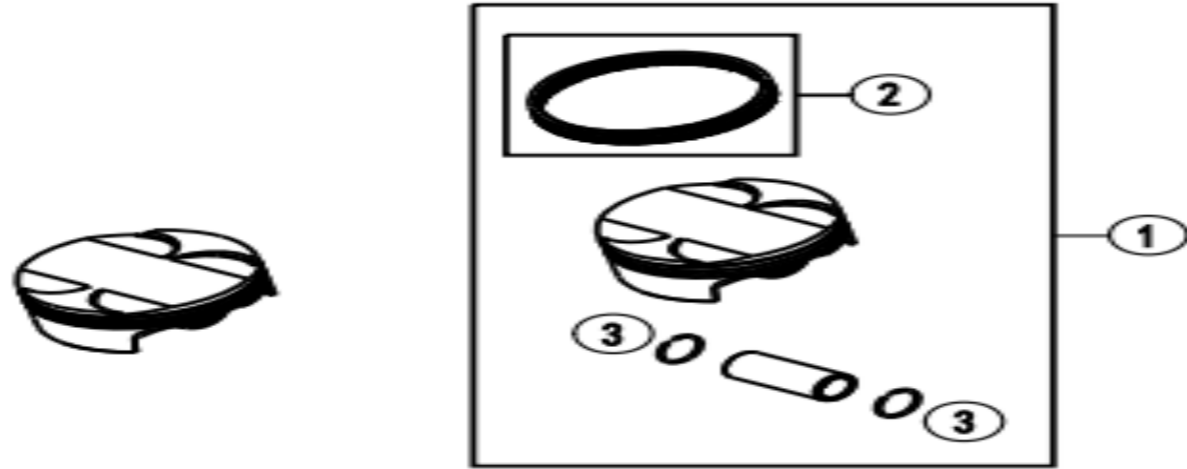
Item No.	Parts Number	Parts Name(EN)	Parts Name(CN)	Qty	Remark(s)
E02-3-1	C90036009044	CAMSHAFT INLET(ASSEMBLY)	进气凸轮轴(组装式)	1	
E02-3-2	C90036010044	CAMSHAFT EXHAUST (ASSEMBLY)	排气凸轮轴(组装式)	1	
E02-3-3	C90036080000	VENTING CENTRIFUGE	油气分离器	1	
E02-3-4	C90036101000	GUIDE RAIL	导链板	1	
E02-3-5	C90036102100	SLIDE RAIL	张紧板组件	1	
E02-3-6	C0035080256S	SCREW M8X25	内梅花球面圆柱头螺栓M8X25	1	
E02-3-7	C90036002150	COLLAR BUSHING	张紧板衬套	1	
E02-3-8	C90036013000	TIMING CHAIN 132 LIMBS	正时链	1	
E02-3-9	C90036105000	SLIDE BAR TOP COMPL.	上导轨组件	1	
E02-3-10	C0025060206S	SCREW M6X20	内梅花六角法兰面螺栓M6X20	2	
E02-3-11	C90036003100	CHAIN TENSION ADJUSTER	张紧器	1	
E02-3-12	C0770180020	O-RING 18X2 NBR 70	O型圈18x2	1	
E02-3-13	C0770220020	O-RING 22X2 NBR 70	O型圈22x2	1	
E02-3-14	C90036008200	SCREW CHAIN TENSION ADJUSTER CPL.	张紧器座组合	1	
E02-3-15	C0770010010	O-RING D10X1	O型圈10x1	1	
E02-3-16	K-77236080000	SCREW PLUG	SCREW PLUG	1	

E03 磁电机盖 IGNITION COVER



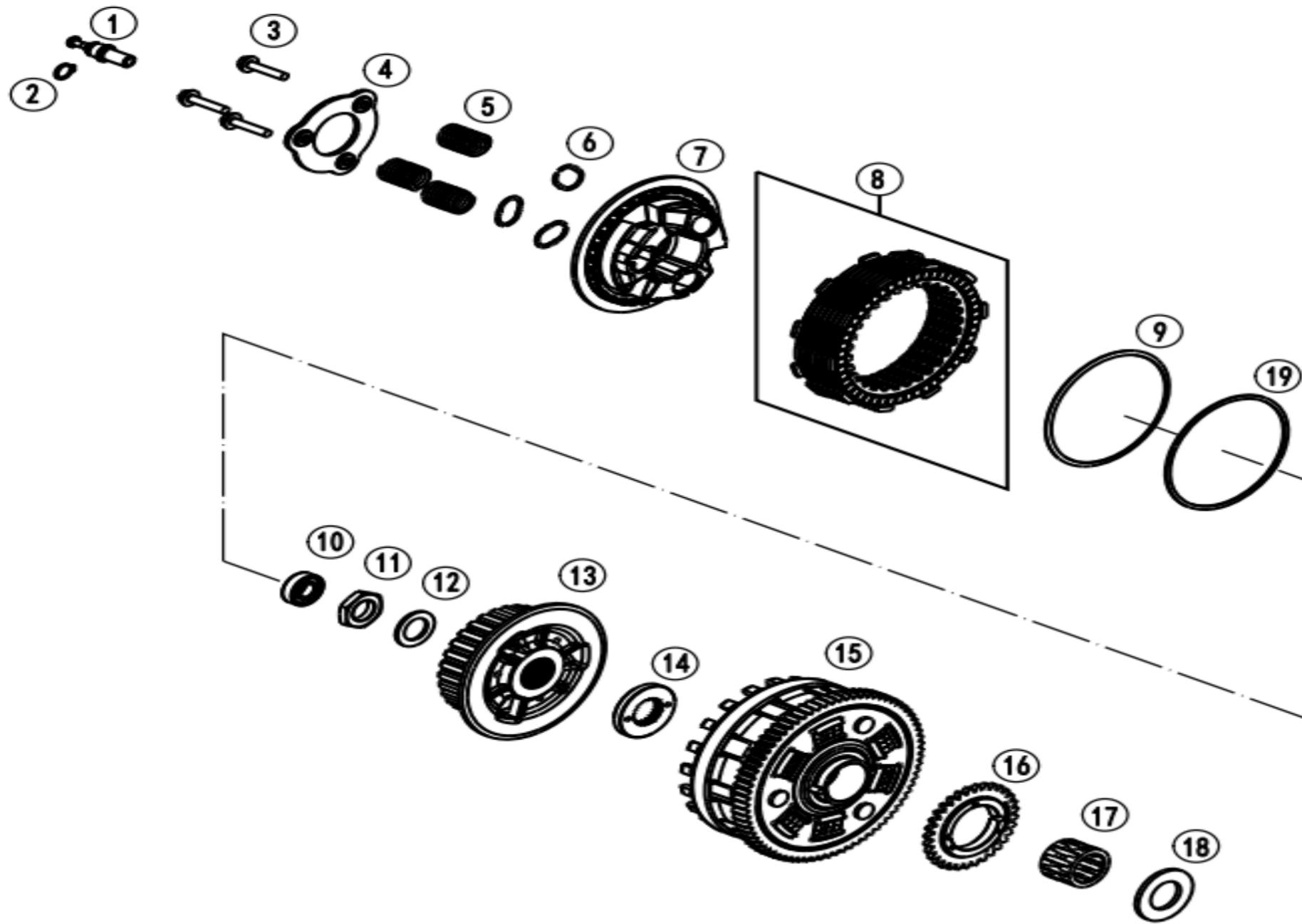
Item No.	Parts Number	Parts Name(EN)	Parts Name(CN)	Qty	Remark(s)
E03-1	C90039005000	ROTOR CPL.	飞轮转子	1	
E03-2	K-60339003000	SPECIAL SCREW M12X1,5 WS15	螺丝 M12X1.5	1	
E03-3	C0025060306S	SCREW M6X30	内梅花六角法兰面螺栓M6X30	3	
E03-4	C90039004000	STATOR	线圈定子	1	
E03-5	C90039040020	CABEL RETAINING BRACKET	压线板	1	
E03-6	C90030024000	FITTING SLEEVE 6X8X11	定位销6x8x11	2	
E03-7	C90030040000	IGNITION COVER GASKET	磁电机盖垫片	1	
E03-8	C9003000200024	IGNITION COVER	磁电机盖	1	
E03-8	C90030002000FBP	IGNITION COVER	磁电机盖(涂装莫得灵黑)	1	
E03-9	C07700240251	FITTING SLEEVE 24X2,5	O型圈24x2.5	1	
E03-10	C90030094000FHB	CAP M24X1,5 (GRAY)	螺塞M24x1.5	1	
E03-10	C90030094000	PLUG M24X1.5 PA 6.6	螺塞M24x1.5	1	
E03-11	C0025060356	SCREW M6X35	内梅花六角法兰面螺栓M6X35	2	
E03-12	C0025060306	SCREW M6X30	内梅花六角法兰面螺栓M6X30	6	
E03-13	C90039034000	PICKUP SENSOR	传感器	1	
E03-14	C0025050166S	SCREW M5X16	内梅花六角法兰面螺栓M5X16	2	
E03-15	C0025060166	SCREW M6X16	内梅花六角法兰面螺栓M6X16	2	
E03-16	C90039006100	IGNITION COIL	点火线圈	2	
E03-17	C90039093000	SPARK PLUG M10X1	火花塞	2	
E03-18	30118-480130010	SELF-TAPPING SCREW ST4.8x13	自攻螺钉	2	
E03-19	C90011038000	RETAINING BRACKET SLS CPL.	点火线圈固定支架	1	

E04 曲轴 CRANKSHAFT



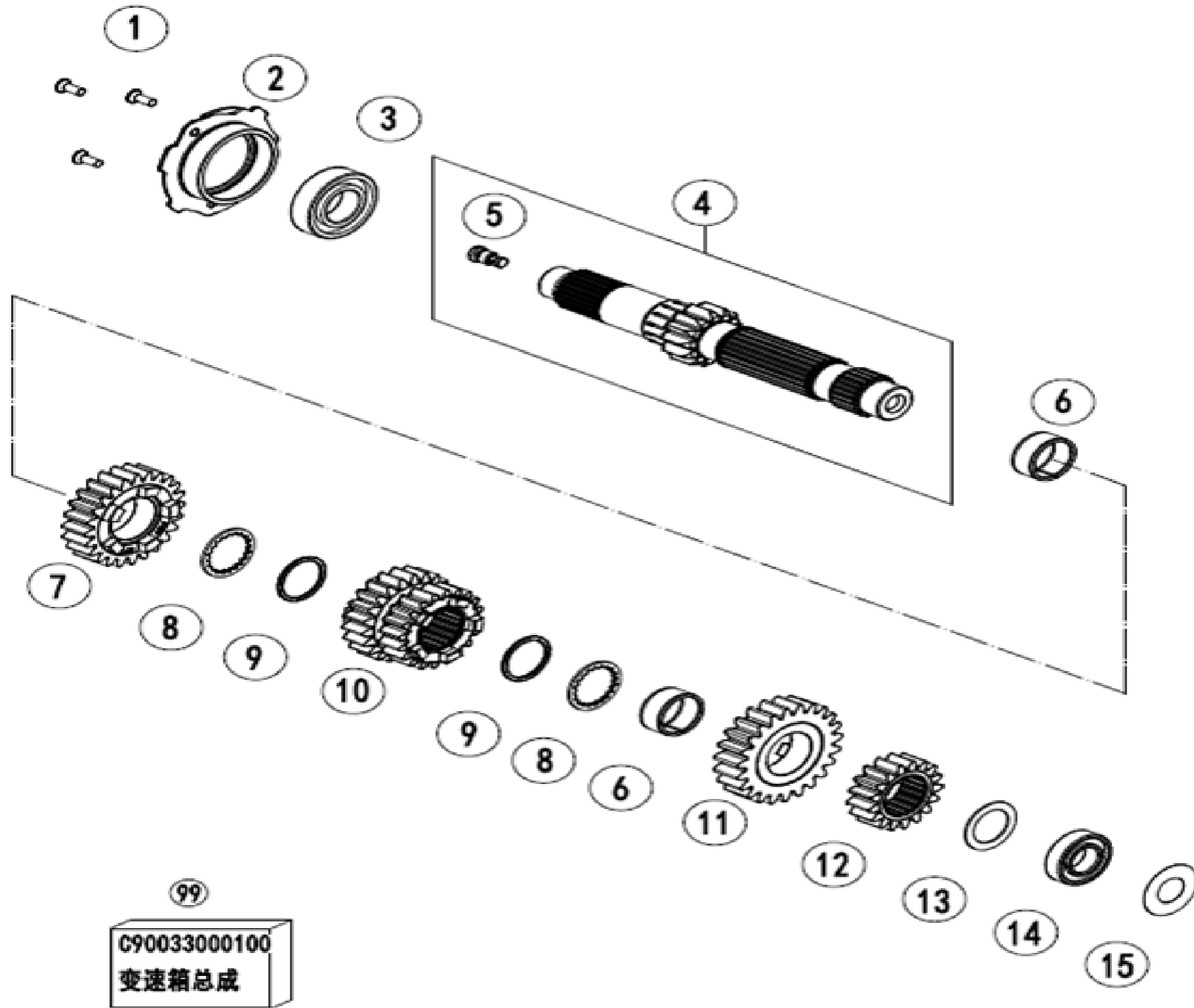
Item No.	Parts Number	Parts Name(EN)	Parts Name(CN)	Qty	Remark(s)
E04-1	C90030107033	PISTON CPL. (D88/20)	活塞组件(d88/20)	2	
E04-2	C90030131044	PISTON RING SET D=88MM	活塞环组件	2	
E04-3	C90030174000	CIRCLIP	挡圈	4	
E04-4	C9003001504401	CONROD ASSY BLUE	连杆组件_蓝色	2	
E04-4	C9003001504402	CONROD ASSY RED	连杆组件_红色	2	
E04-5	C900300140001	CONNECTING ROD BEARING SHELL 38/41/16 BLUE	连杆轴瓦38X41X16	X	
E04-5	C900300140002	CONNECTING ROD BEARING SHELL 38/41/16 RED	连杆轴瓦38X41X16	X	
E04-6	C90030013000	CONNECTING ROD SCREW M8X0,75	连杆螺栓M8X0.75	4	
E04-9	C90030014044	CRANKSHAFT CMPL	曲轴总成	1	
E04-10	C0888040050	SPRING WASHER D13/4	半圆键d13x4	1	
E04-11	C900300820002	MAIN BEARING SHELL 38/42/18 RED	主轴瓦38X42X18	X	
E04-11	C900300820001	PLAIN BEARING SHELL BLUE 38/42/18	主轴瓦38X42X18	X	
E04-12	C900301820001	MAIN BEARING SHELL WITH GROOVE 38/42/25 BLUE	带槽主轴瓦38X42X25	X	
E04-12	C900301820002	MAIN BEARING SHELL WITH GROOVE 38/42/25 RED	带槽主轴瓦38X42X25	X	

E05 离合器 CLUTCH



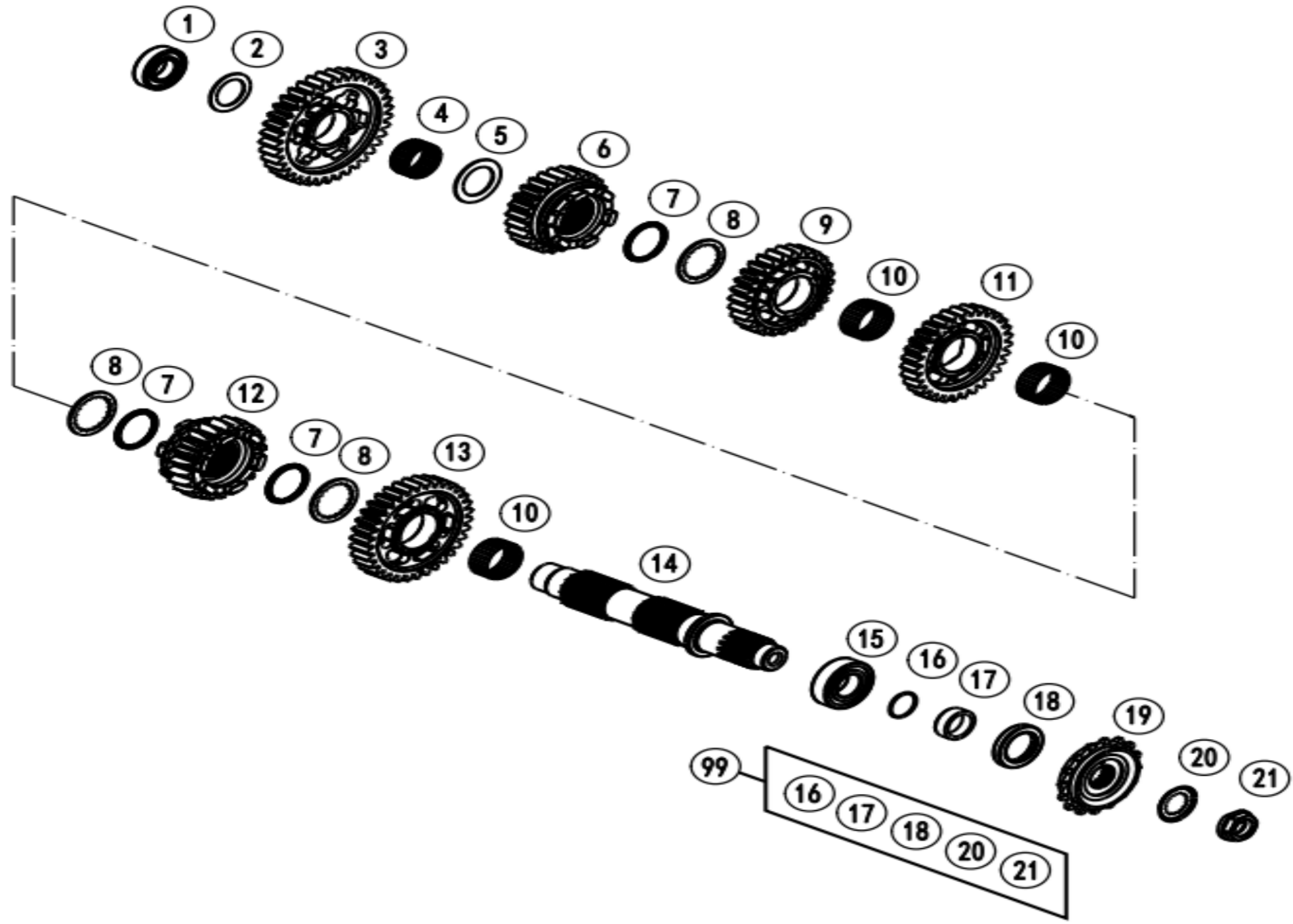
Item No.	Parts Number	Parts Name(EN)	Parts Name(CN)	Qty	Remark(s)
E05-1	C90032048104	TENSION BOLT	离合器拉杆	1	
E05-2	C0471120010	SEGER RING	轴用挡圈12	1	
E05-3	C90032044000	HEX BOLT M6	六角螺栓M6	3	
E05-4	C90032006000	STOP PLATE	止动盘	1	
E05-5	C90032005000	CLUTCH SPRING	离合弹簧	3	
E05-6	C90032041000	SPRING PLATE	弹簧片	3	
E05-7	C90032003000	PRESSURE CAP	压盖	1	
E05-8	C90832011010	CLUTCH PLATE PACK	离合器片	1	
E05-9	C90032034000	SPRING RETAINER	弹簧片	1	
E05-10	C0625060016	BEARING 12/28/8 (TORQUE LIMITER)	深沟球轴承	1	
E05-11	C90036073150	HEX NUT M20X1,5 H=6	六角螺母M20x1.5/h=6	1	
E05-12	C0252012103100	LOCK WASHER HLS 20	自锁垫圈	1	
E05-13	C90032002000	INNER CLUTCH HUB	内离合器鼓	1	
E05-14	C90032021000	TOOTHED WASHER	齿形垫	1	
E05-15	C90032001044	OUTER CLUTCH HUB CPL.	离合器壳组件	1	
E05-16	C90038001232	OIL PUMP DRIVE WHEEL 32Z	机油泵主动轮32z	1	
E05-17	C0405263525	NEEDLE BEARING 26X35X25	滚针轴承26X35X25	1	
E05-18	C90032020000	WASHER 26/47/2.8	垫圈26x47x2.8	1	
E05-19	C90032035000	SUPPORT RING	支撑环	1	
E05-99	C90032100000	CLUTCH CPL.	离合器组件	1	

E06-1 主轴 MAIN SHAFT



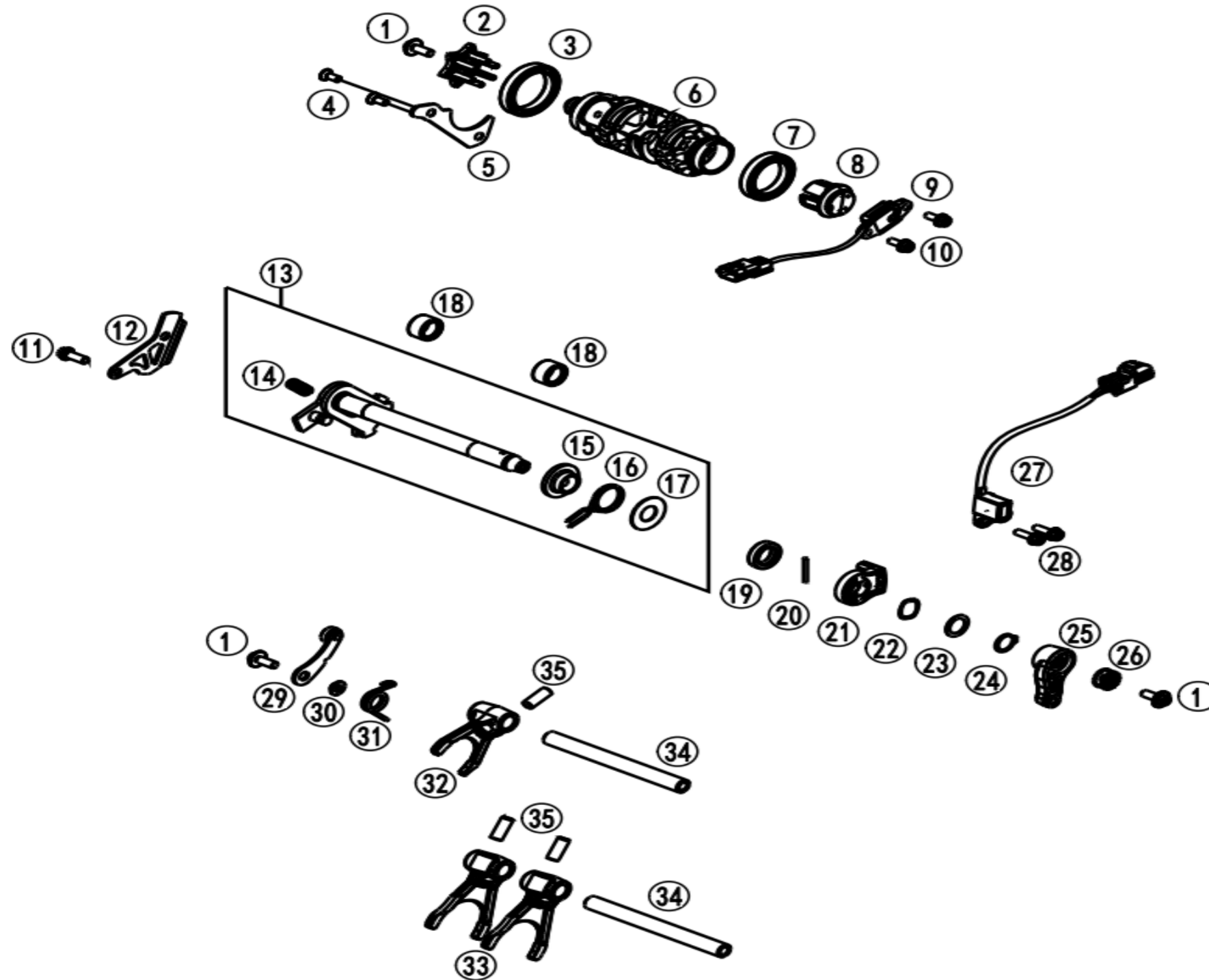
Item No.	Parts Number	Parts Name(EN)	Parts Name(CN)	Qty	Remark(s)
E06-1-1	C010642060166S	SCREW	内梅花沉头螺栓M6x16	3	
E06-1-2	C90030068000	BEARING FLANGE	轴承法兰	1	
E06-1-3	C0625062280	GROOVED BALL BEARING 28X58X16 62/28	深沟球轴承28x58x16	1	
E06-1-4	C90033001044	DRIVE SHAFT PREASSEMBLED	主轴组件	1	
E06-1-5	C90033001030	REDUCER 0,3MM M8	节流阀0.3mm M8	1	
E06-1-6	C0405242813G	NEEDLEBEARING K 24X28X13 GETEILT	滚针轴承 K 24x28x13(分开式)	2	
E06-1-7	C90033005000	IDLER GEAR 5.G	主动5档齿轮	1	
E06-1-8	C90033045000	TOOTHED WASHER D27	齿形垫圈	2	
E06-1-9	C0471026000	CIRCLIP D26	卡环d26	2	
E06-1-10	C90033003000	SLIDING GEAR 3/4.G	主动3、4档齿轮	1	
E06-1-11	C90033006000	IDLER GEAR 6.G	主动6档齿轮	1	
E06-1-12	C90033002000	SOLID GEAR 2.G	主动2档齿轮	1	
E06-1-13	C90033032000	STOP DISC 22.2/31.7/1	锁止垫片22.2x31.7x1	1	
E06-1-14	C0625068911	DEEP GROOVE BALL BEARINGS 22/45/12 60/22	深沟球轴承22X45X12	1	
E06-1-15	C90033088000	SEALING DISC 22X45X0,2	垫片22x45x0.2	1	
E06-1-99	C90033000100	GEARBOX CPL.(RAUNAQ)	换挡变速总成	1	

E06-2 副轴 COUNTER SHAFT



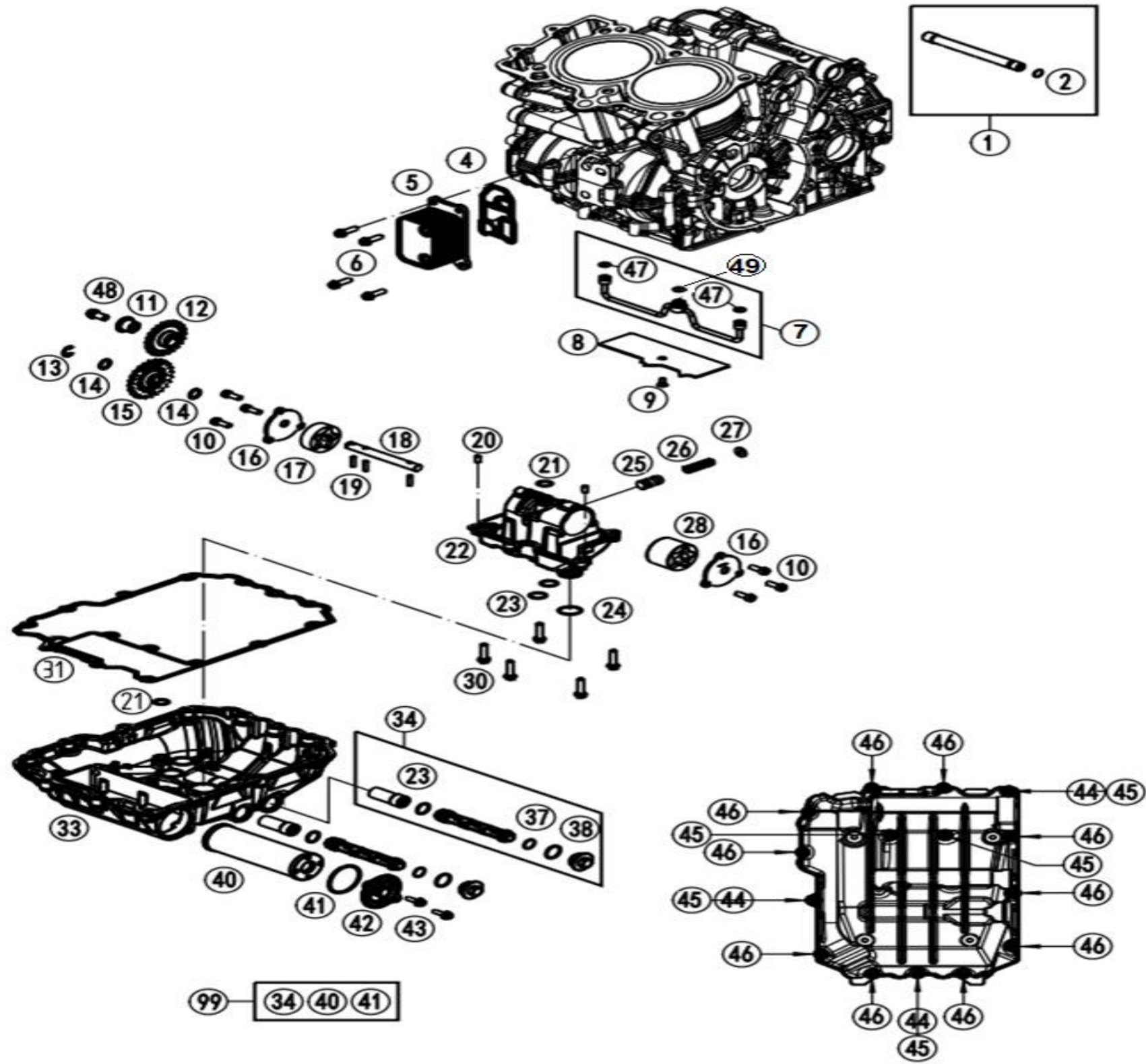
Item No.	Parts Number	Parts Name(EN)	Parts Name(CN)	Qty	Remark(s)
E06-2-1	C0625068911	DEEP GROOVE BALL BEARINGS 22/45/12 60/22	深沟球轴承22X45X12	1	
E06-2-2	C90033032000	STOP DISC 22.2/31.7/1	锁止垫片22.2x31.7x1	1	
E06-2-3	C90033011000	IDLER GEAR 1.G	从动1档齿轮	1	
E06-2-4	C0405242813	NEEDLEBEARING 24X28X13	滚针轴承24x28x13	1	
E06-2-5	C90033034000	STOP DISC 24.3/35.75/1	锁止垫片24.3x35.75x1	1	
E06-2-6	C90033015000	SLIDING GEAR 5.G	从动5档齿轮	1	
E06-2-7	C0471029000	SPIRD RETAINING RING D29	螺旋挡圈d29	3	
E06-2-8	C90033033000	STOP DISC 27/36/1.5	锁止垫片27x36x1.5	3	
E06-2-9	C90033014000	IDLER GEAR 4.G	从动4档齿轮	1	
E06-2-10	C0405263013G	NEEDLEBEARING 26X30X13 GETEILT	滚针轴承26x30x13(分开式)	3	
E06-2-11	C90033013000	IDLER GEAR 3.G	从动3档齿轮	1	
E06-2-12	C90033016000	SLIDING GEAR 6.G	从动6档齿轮	1	
E06-2-13	C90033012000	IDLER GEAR 2.G	从动2档齿轮	1	
E06-2-14	C90033010000	OUTPUT SHAFT	副轴	1	
E06-2-15	C90030024000	FITTING SLEEVE 6X8X11	圆柱滚子轴承25x52x15	1	
E06-2-16	C0770020220	O-RING 25,12/1,78	O型圈25.12x1.78	1	
E06-2-17	C90033032011	DISTANCE BUSHING 11MM	轴套25X32X11	1	
E06-2-18	K-0760003247000	SHAFT SEAL RING 32X47X7 AS-P F	密封圈32x47x7	1	
E06-2-19	C90033029116	SPROCKRT 16Z DAMPED	输出链轮16Z	1	
E06-2-20	K-51033031000	LOCKING PLATE	锁紧垫圈	1	
E06-2-21	C90033032300	NUT	链轮螺母M20x1.5	1	
E06-2-99	C00050000992	REPAIR KIT OUTPUT SHAFT	输出轴维修套件	X	

E06-3 换挡机构 SHIFTING MECHANISM



Item No.	Parts Number	Parts Name(EN)	Parts Name(CN)	Qty	Remark(s)
E06-3-1	C0024060156S	SCREW M6X15	内梅花六角法兰面螺栓M6X15	1	
E06-3-2	C90034015000	SHIFT STAR	变档定位星轮	1	

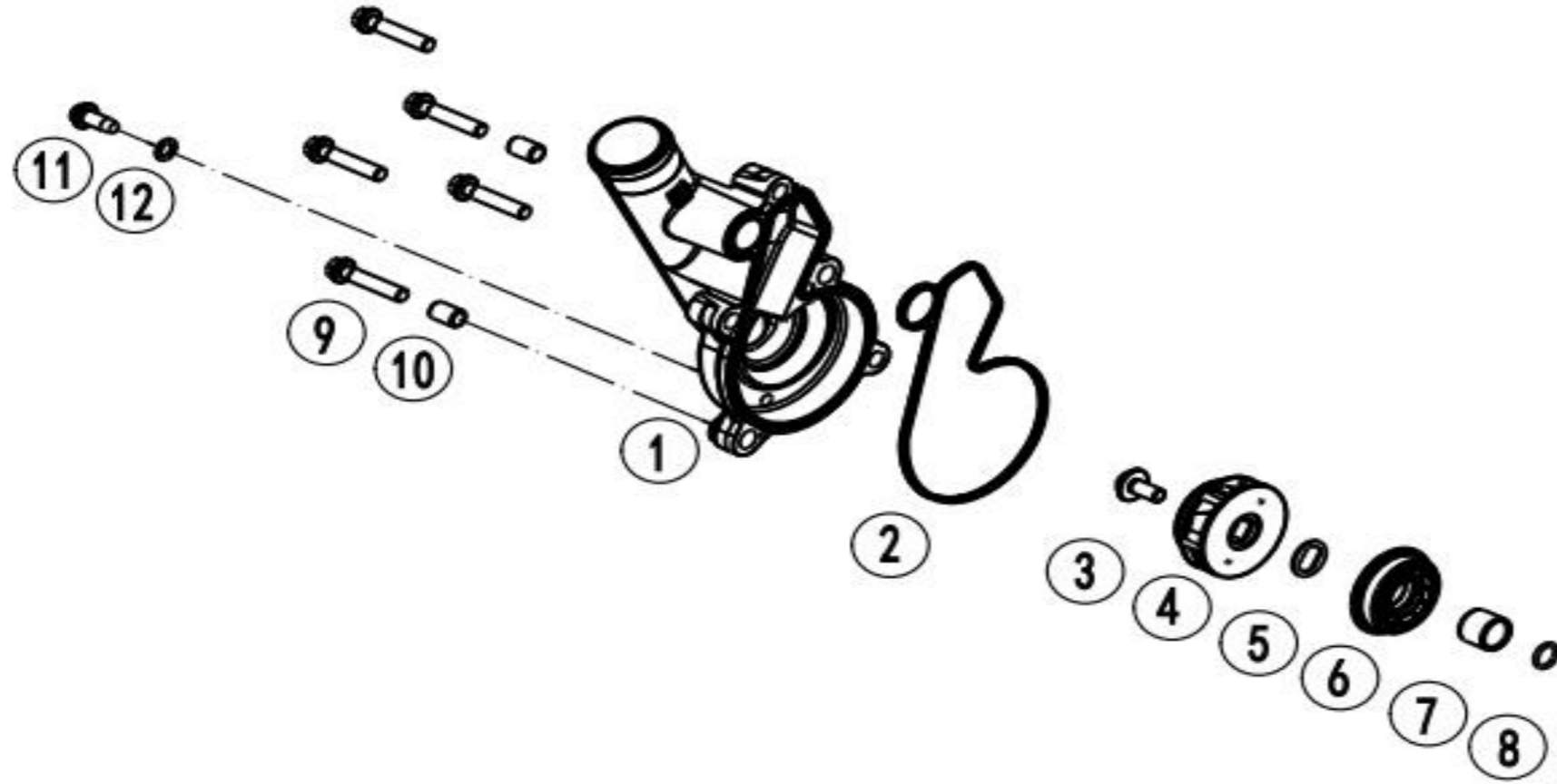
Item No.	Parts Number	Parts Name(EN)	Parts Name(CN)	Qty	Remark(s)
E06-3-3	C0625068070	DEEP GROOVE BALL BEARINGS 35/47/7	深沟球轴承35x47x7	1	
E06-3-4	C0019050121S	SCREW M5X12	内梅花沉头螺栓M5X12	2	
E06-3-5	C90034011200	BEARING RETAINING BRACKET SHIFT DRUM	限位板	1	
E06-3-6	C90034012001	SHIFT DRUM	变速毂	1	
E06-3-7	C0625068060	DEEP GROOVE BALL BEARINGS 30/42/7	深沟球轴承30x42x7	1	
E06-3-8	C90034012020	MAGNET HOLDER CPL.	磁铁夹组件	1	
E06-3-9	C90011023100	GEAR POSITION SENSOR	档位传感器	1	
E06-3-10	C0025050126	SCREW M5X12	内梅花六角法兰面螺栓M5X12	2	
E06-3-11	C0025060166S	SCREW M6X16	内梅花六角法兰面螺栓M6X16	1	
E06-3-12	C90033022000	BEARING LOCK WASHER (SHIFT SHAFT STOP)	轴承锁紧板	1	
E06-3-13	C90034005033	SHIFT SHAFT CPL.	变档轴分总成	1	
E06-3-14	C90034013100	TORSION SPRING 0.8MM	弹簧	1	
E06-3-15	C90034020000	SPRING GUIDE	弹簧座	1	
E06-3-16	C90034014000	RETURN SPRING	扭簧	1	
E06-3-17	C90034050001	STOP DISC 14X30X1	限位垫片	1	
E06-3-18	C90032095000	NEEDLE SLEEVE 14/20/12	冲压外圈滚针轴承14x20x12	2	
E06-3-19	C0760142460	SHAFT SEAL RING 14/24/6	油封14X24X6	1	
E06-3-20	C0007025241	STUD 2,5X24	圆柱定位销2.5x24	1	
E06-3-21	C90034050000	MAGNET HOLDER	磁铁夹	1	
E06-3-22	C90034050010	WAVE SPRING	波形弹簧SSB-0075-S17	1	
E06-3-23	C0988142005	SHIM 14X20X0,5	调整配合垫圈14x20x0.5	1	
E06-3-24	C0471140100	SEEGER RING 14X1	轴用挡圈14x1	1	
E06-3-25	C9003403000033	LINK SUPPORT CAM	变档杆摇臂	1	
E06-3-26	C90033041500	NORDLOCK WASHER M6	自锁垫圈M6	1	
E06-3-27	C90034051100	SHIFT SHAFT SENSOR	换挡轴传感器	1	
E06-3-28	C0984050123S	BOLT DIN6912 M5X12 8.8	薄型内六角圆柱头螺栓M5X12	2	
E06-3-29	C63534024000	LOCKING LEVER	锁止臂组件	1	
E06-3-30	C90034052000	STEP WASHER	台阶垫圈6x8x3.3	1	
E06-3-31	C90034023000	SPRING ARREST ARM	回位扭簧	1	
E06-3-32	C90034002000	SHIFT FORK	拨叉5-6档	1	
E06-3-33	C90034001000	SHIFT FORK	拨叉1-4档	2	
E06-3-34	C90034019100	SHIFT FORK SHAFT	拨叉轴	2	
E06-3-35	C0402080200	NEELDE ROLLER D8X20	滚针d8x20	3	



Item No.	Parts Number	Parts Name(EN)	Parts Name(CN)	Qty	Remark(s)
E07-1	C90030065000	GEARBOX INJECTION PIPE CPL.	变速箱喷油管组件	1	
E07-2	C0770010010	O-RING D10X1	O型圈10x1	1	
E07-4	C90038051000	OIL COOLER GASKET	油冷器垫片	1	
E07-5	C90038050000	OIL/WATTER HEAT EXCHANGER CPL.	油冷器组件	1	
E07-6	C0025060206S	SCREW M6X20	内梅花六角法兰面螺栓M6X20	4	
E07-7	C90038035000	OIL HOSE CPL.	机油管组件	1	
E07-8	C90030086010	PRESSURE PLATE	压板	1	
E07-9	C0019050121S	SCREW M5X12	内梅花沉头螺栓M5X12	1	
E07-10	C014580060126S	CYL. SCREW M6X12	圆柱螺栓	6	
E07-11	C90038003000	BEARING BOLT	机油泵惰齿轮轴	1	
E07-12	C90038001022	OIL PUMP IDLER GEAR 22Z	机油泵惰轮组合22z	1	
E07-13	C0799080000	LOCK WASHER DIN 6799 - RS 8	开口挡圈	1	
E07-14	C90038007010	THRUST WASHER 10/16/0,5	垫圈10x16x0.5	1	
E07-15	C90038001224	OIL PUMP GEAR 24Z	油泵齿轮24z	1	
E07-16	C90038008050	OIL PUMP COVER	机油泵盖板	2	
E07-17	C90038009014	EATON PUMP SET CPL. 14MM	油泵转子组件14MM	1	
E07-18	C90038002000	OIL PUMP SHAFT	机油泵轴	1	
E07-19	C0402041580	NEEDLE ROLLER 4X15.8	滚针D4X15.8	3	
E07-20	C0402050980	NEEDLE ROLLER 5X9.8	圆柱销d5x9.8	2	
E07-21	C0770120020	O-RING 12X2	O型圈12X2	2	
E07-22	C90038012000	OIL PUMP HOUSING	机油泵体	1	
E07-23	C0770140200	O-RING 14X2 NBR 70 SHORE	O型圈14x2	4	
E07-24	C0770020020	O-RING 20X2 NBR 70	O型圈20x2	1	
E07-25	C90038128000	CONTROL PISTON	限压阀活塞	1	
E07-26	C90038026000	OIL COMPRESSION SPRING	限压阀弹簧	1	
E07-27	C90037073000	SHIM	垫片	1	
E07-28	C90038010000	EATON PUMP SET 30 MM	油泵转子组件30MM	1	
E07-30	C0025060256	SCREW M6X25	内梅花六角法兰面螺栓M6X25	5	
E07-31	C90030086100	OIL+SUMP+GASKET	油底壳密封垫	1	
E07-33	C9003008500024	OIL PAN	油底壳组件	1	
E07-33	C90030085000FBP	OIL PAN	油底壳组件涂装(涂装莫得灵黑)	1	
E07-34	C90038021200	OIL SCREEN CPL.	机油滤网组件	2	
E07-37	C0770125015	O-RING 12.5X1.5	O型圈12.5x1.5	1	

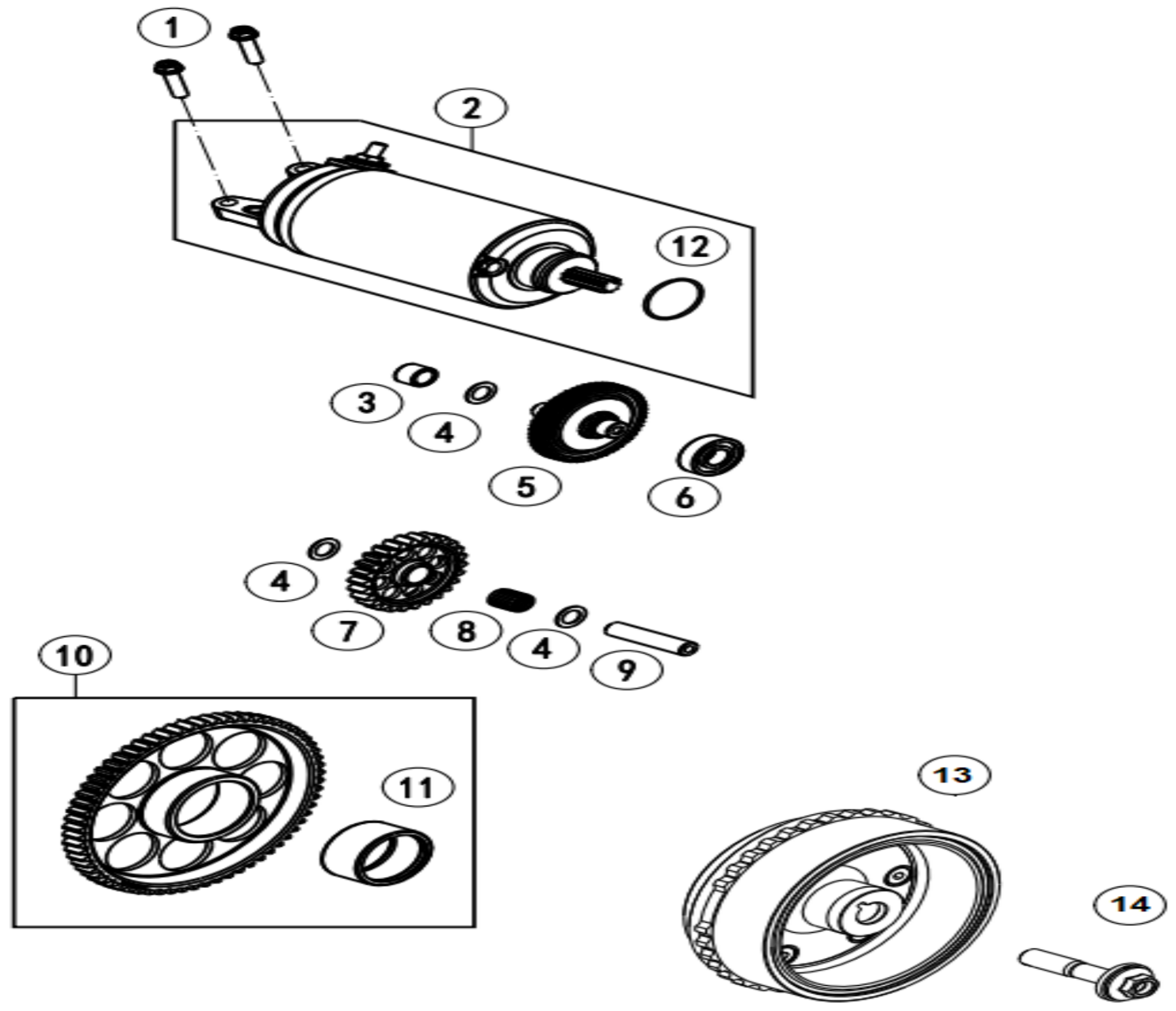
Item No.	Parts Number	Parts Name(EN)	Parts Name(CN)	Qty	Remark(s)
E07-38	C0770170200	O-RING 17X2	O型圈17x2	1	
E07-40	C90038015200	OILFILTER(WITH BYPASS)	机油滤芯	1	
E07-41	C07700390261	O-RING 39,34X2,62	O型圈39.34x2.62	1	
E07-42	C90038041200	OILFILTER COVER	机滤盖	1	
E07-43	C0025050166	SCREW M5X16	内梅花六角法兰面螺栓M5X16	2	
E07-44	C90030024000	FITTING SLEEVE 6X8X11	定位销6x8x11	3	
E07-45	C0025060356	SCREW M6X35	内梅花六角法兰面螺栓M6X35	5	
E07-46	C0025060306	SCREW M6X30	内梅花六角法兰面螺栓M6X30	10	
E07-47	C0770060025	O-RING 6X2,5	O型圈6X2.5	2	
E07-48	C0025080166S	CYL. SCREW M8X16	内梅花六角法兰面螺栓M8X16	1	
E07-49	C0770070025	O-RING 7X2,5	O型圈7x2.5	1	
E07-99	C00050000068	OILFILTER SERVICE KIT	机油滤芯保养套件	1	

E08 水泵盖 WATER PUMP COVER



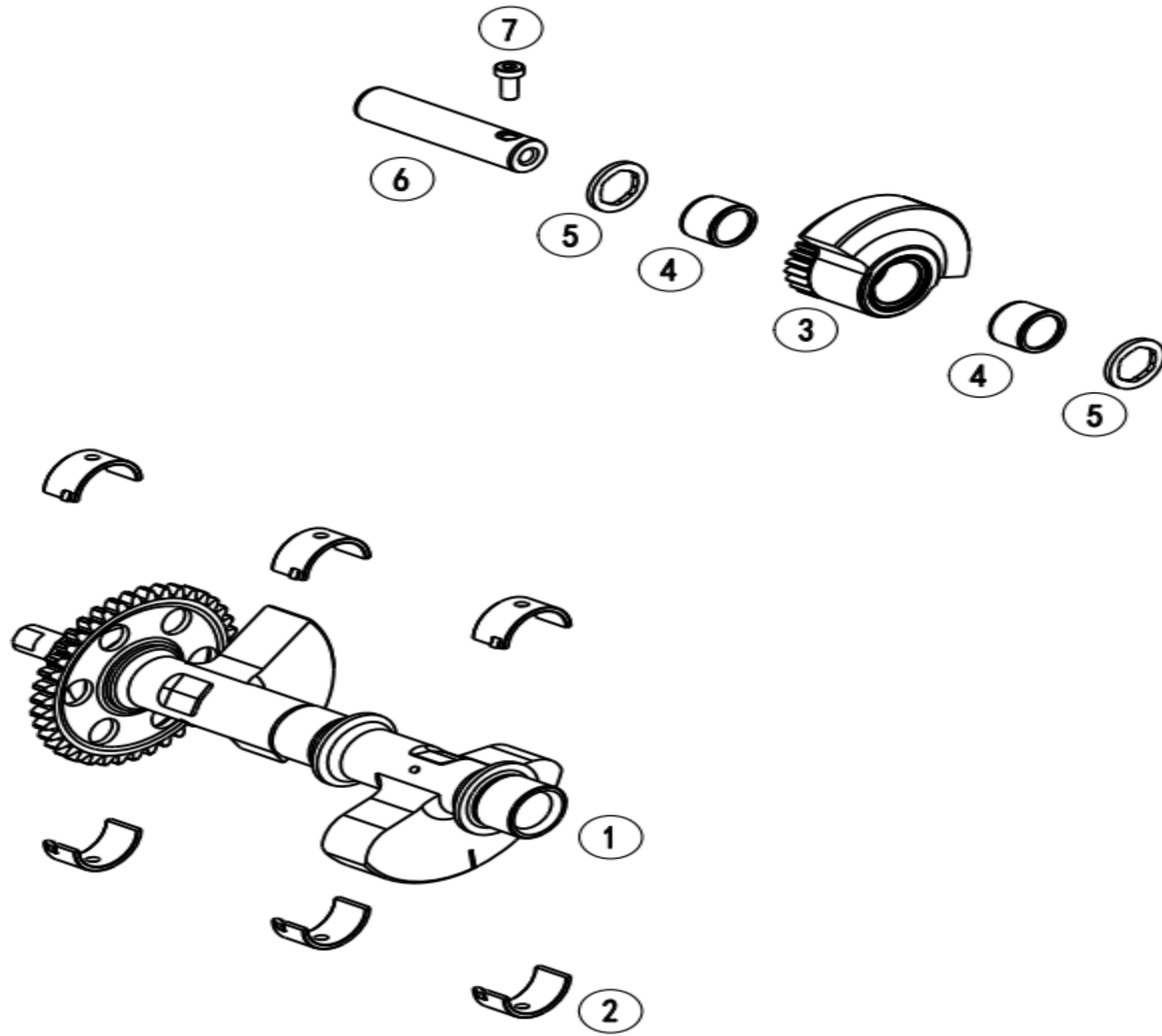
Item No.	Parts Number	Parts Name(EN)	Parts Name(CN)	Qty	Remark(s)
E08-1	C90035052000FBP	WATER PUMP COVER	水泵盖	1	
E08-2	C90035053100	WATER PUMP COVER GASKET	水泵盖密封圈	1	
E08-3	C0024060136S	SCREW M6X13	内梅花六角法兰面螺栓M6X13	1	
E08-4	C90035055000	WATER PUMP WHEEL	水泵叶轮组件	1	
E08-5	C90035055150	SUPPORT DISC	垫圈16x1	1	
E08-6	K0760153459	SHAFT SEAL RING	双唇油封(水泵)	1	
E08-7	C90036072020	WEAR BUSHING	水封衬套	1	
E08-8	C07700900151	O-RING 9X1,5	O型圈9x1.5	1	
E08-9	C0025060306S	SCREW M6X30	内梅花六角法兰面螺栓M6X30	5	
E08-10	C90030024000	FITTING SLEEVE 6X8X11	定位销6x8x11	2	
E08-11	C0025060126	SCREW M6X12	内梅花六角法兰面螺栓M6X12	1	
E08-12	C0603061002	SEAL RING 6/10/1	密封垫6X10X1(铜)DIN7603	1	

E09 起动机 STARTER



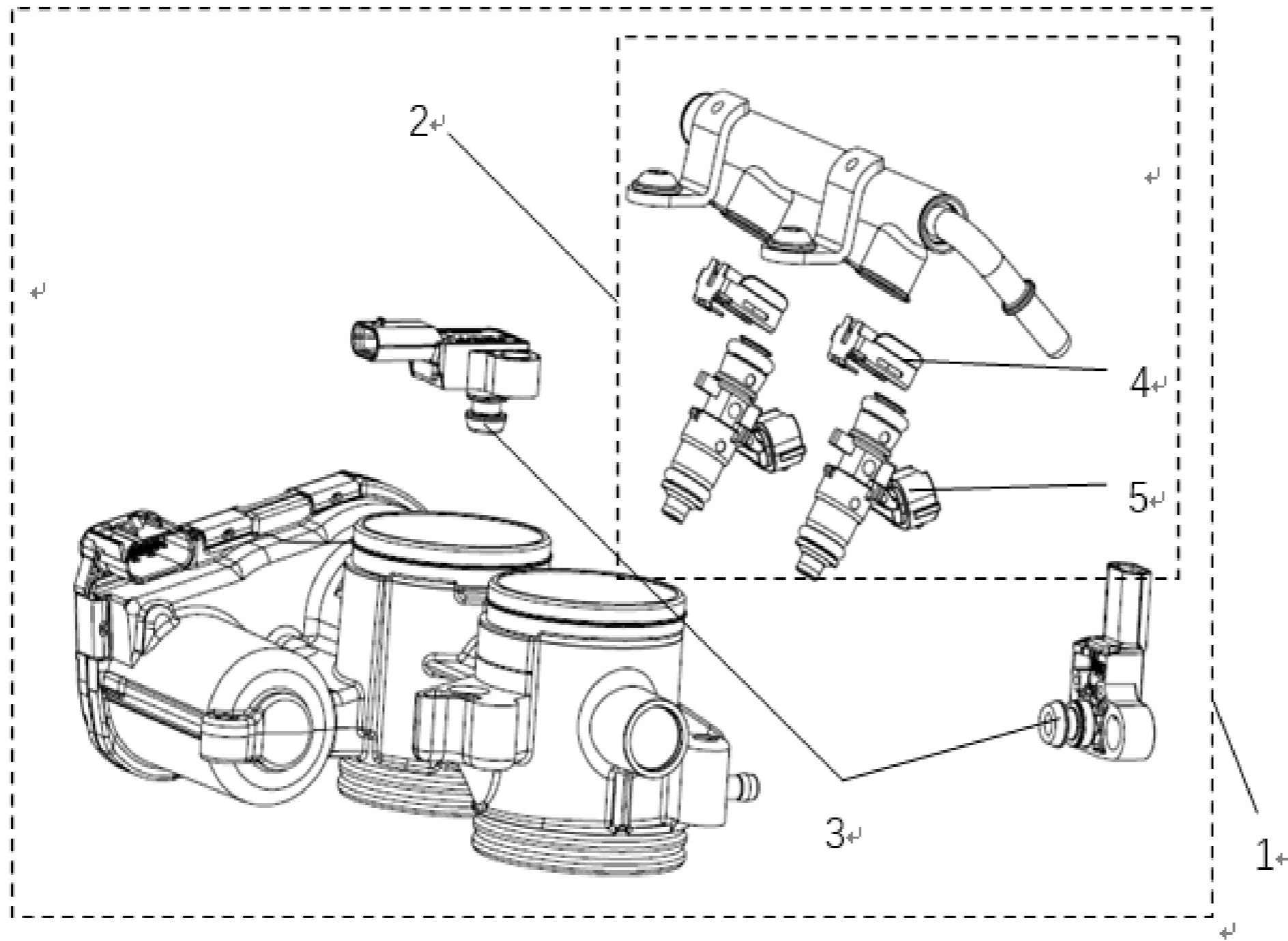
Item No.	Parts Number	Parts Name(EN)	Parts Name(CN)	Qty	Remark(s)
E09-1	C0025060256	SCREW M6X25	内梅花六角法兰面螺栓M6X25	2	
E09-2	C90040001000	E STARTER MOTOR 9Z	起动电机9z	1	
E09-3	C0618101410	NEEDLE SLEEVE 10/14/10	冲压外圈滚针轴承10x14x10	1	
E09-4	C90038007010	THRUST WASHER 10/16/0,5	垫圈10x16x0.5	3	
E09-5	C90040017100	TORQUE LIMITER CPL. 10/55Z	扭矩限制器组件10/55Z	1	
E09-6	C0625060016	BEARING 12/28/8 (TORQUE LIMITER)	深沟球轴承12x28x8	1	
E09-7	C90040022000	STARTER IDLER GEAR 26Z	起动惰齿轮26z	1	
E09-8	C90040090000	NEEDLE BEARING 10/13/13	滚针轴承10x13x13	1	
E09-9	C90040029000	BEARING BOLT	起动惰齿轮轴	1	
E09-10	C90040020000	FREEWHEEL GEAR CPL. 66Z	起动大齿轮组件66z	1	
E09-11	C0618354220	NEEDLE SLEEVE 35/42/20 HK3520	冲压外圈滚针轴承35x42x20	1	
E09-12	C0770244031	O-RING 24.40X3.10 NBR 70	O型圈24.40x3.10	1	
E09-13	C90040124000	ONE WAY CLUTCH CPL.	单向离合器组合	1	
E09-14	C0025060166S	SCREW M6X16	内梅花六角法兰面螺栓M6X16	1	

E16 平衡轴 BALANCER SHAFT



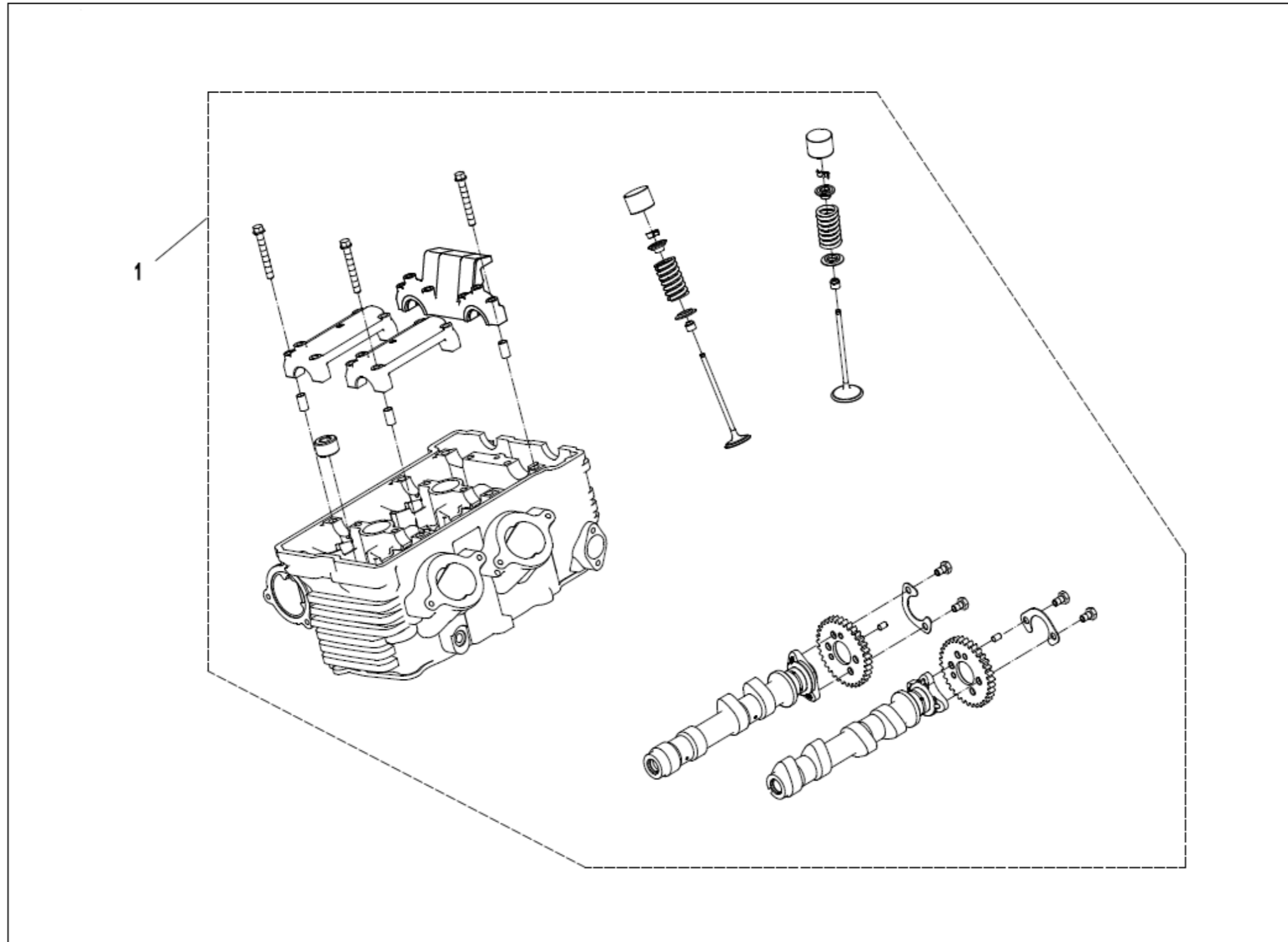
Item No.	Parts Number	Parts Name(EN)	Parts Name(CN)	Qty	Remark(s)
E16-1	C90030057044	BALANCING SHAFT FRONT CPL.	前平衡轴组件	1	
E16-2	C90030057050	BEARING SHELL BALANCER SHAFT	平衡轴瓦	6	
E16-3	C90030059100	BALANCING SHAFT ABOVE CPL.	上平衡轴组件	1	
E16-4	C0405151913	NEEDLE BEARING 15/19/13	滚针轴承15x19x13	2	
E16-5	C90030059060	THRUST WASHER	垫圈15.5x25.5x2	2	
E16-6	C90030059050	BEARING BOLT	上平衡轴心轴	1	
E16-7	C0984050123S	BOLT DIN6912 M5X12 8.8	薄型内六角圆柱头螺栓M5X12	1	

E17 节气门阀体和喷油器 THROTTLE&INJECTOR



Item No.	Parts Number	Parts Name(EN)	Parts Name(CN)	Qty	Remark(s)
E17-1	0PW0-173000	THROTTLE BODY ASSY	电子节气门阀体总成	1	
E17-2	0PW0-171000	FUEL PIPE ASSY	燃油分配管总成	1	
E17-3	0HU0-173200	AIR INTAKE PRESSURE SENSOR	进气压力传感器	2	
E17-4	0JYA-170001	CLASP	卡簧	2	
E17-5	0PW0-171100	FUEL INJECTOR	喷油器	2	

E21 气缸盖套件 CYLINDER HEAD SYSTEM KIT



Item No.	Parts Number	Parts Name(EN)	Parts Name(CN)	Qty	Remark(s)
E21-1	C9003609900024	REPAIR KIT CYLINDER HEAD FOR CFMOTO	气缸盖维修套件(CF售后用)	1	
E21-1	C90036099000FBP	CYLINDER HEAD	莫德灵黑气缸盖维修套件(CF售后用)	1	