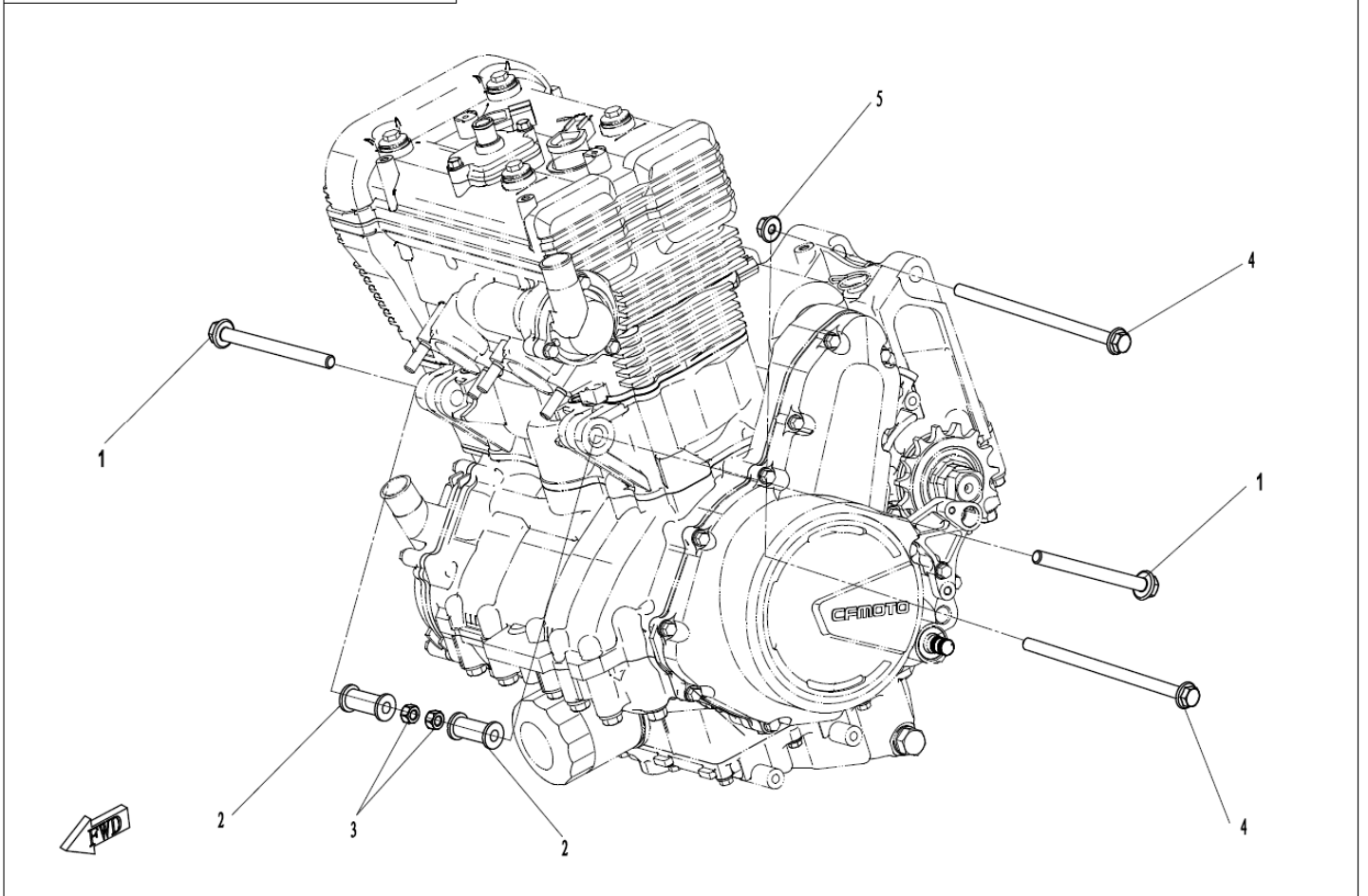


F00 发动机安装附件 ENGINE FITTINGS

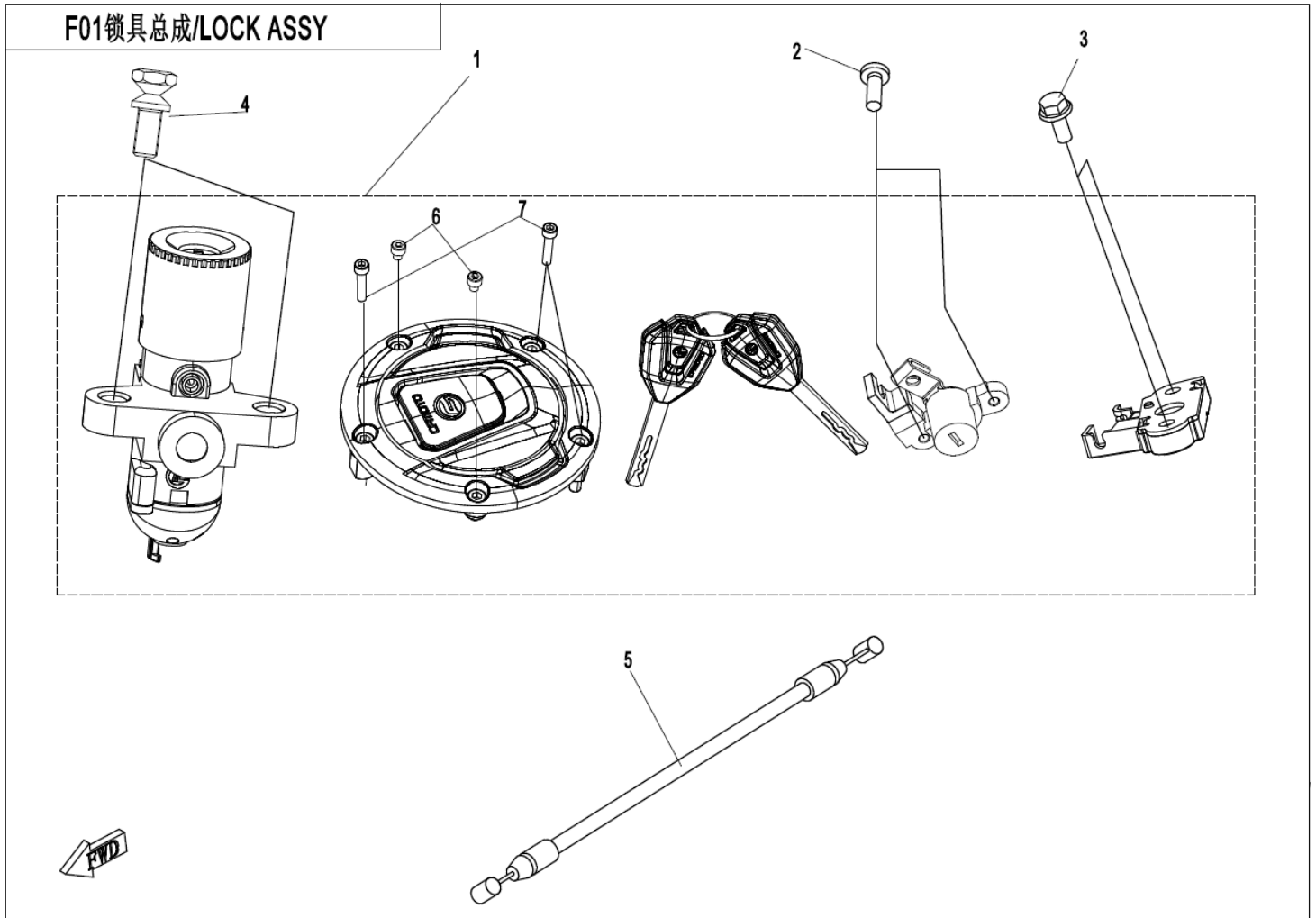
Item No.	Parts Number	Parts Name(EN)	Parts Name(CN)	Qty	Remark(s)	Alternative Parts
01	30006-102110110	BOLT M10x1.25x110	螺栓	2		
02	A000-000201	BUSHING, ENGINE	发动机安装套	2		
03	30203-102110	NUT M10x1.25	螺母	2		
04	6GU#-030002-6000	ENGINE MOUNTING SHAFT	发动机安装轴	2		
05	30204-102810	NUT M10x1.25	螺母	2		

F00 发动机安装附件/ ENGINE FITTINGS



F01 锁具 LOCK KIT

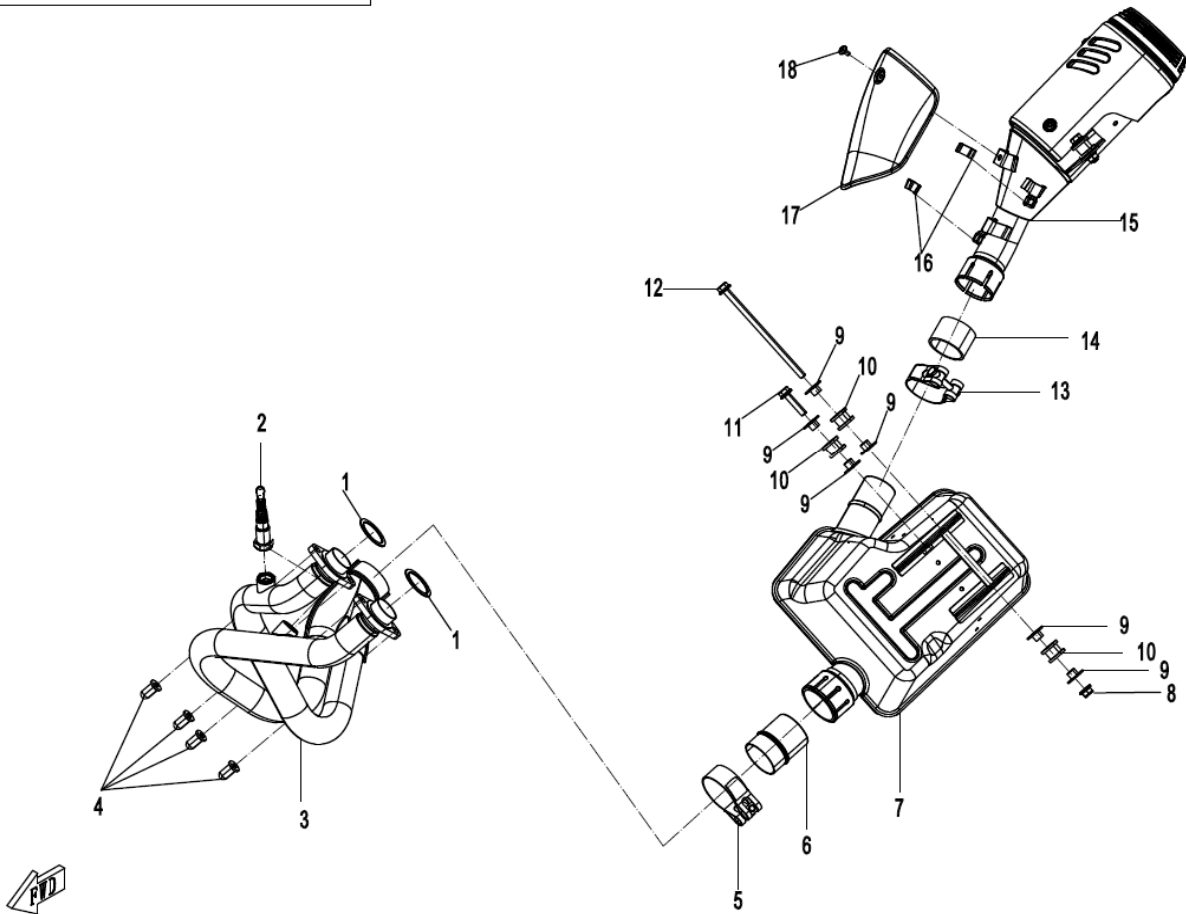
Item No.	Parts Number	Parts Name(EN)	Parts Name(CN)	Qty	Remark(s)	Alternative Parts
01	6GUV-011000-6001	LOCK KIT	锁具组合	1		
02	30102-050012810	SCREW M5x12	螺钉	2		
03	30006-060016810	BOLT M6x16	螺栓	2		30006-060016870
04	6KJ0-010001	BOLT	断头螺栓	2		
05	6GU#-010010-6000	SEAT CABLE	坐垫拉索	1		
06	30102-050008900	INNER HEX SCREW M5x8	内六角圆柱头螺钉	2		
07	30102-050025900	INNER HEX SCREW M5x25	内六角圆柱头螺钉	3		



F02 消声器 MUFFLER

Item No.	Parts Number	Parts Name(EN)	Parts Name(CN)	Qty	Remark(s)	Alternative Parts
01	0700-022012	GASKET, EXHAUST PIPE	排气管衬垫	2		
02	0HU0-176000	OXYGEN SENSOR	氧传感器	2		
03	6GU#-021100-6100	EXHAUST PIPE ASSY	排气管焊接组件	1		
04	8010-020001	NUT M8, MUFFLER JOINT	消声器接头螺母M8	4		
05	6L30-021010	CALMP 1	抱箍组件 I	1		
06	6L30-021001	SEAL SLEEVE 1, GRAPHITE	石墨密封套 I	1		
07	6GU#-021200-6100	FRONT MUFFLER BODY	前筒体焊接组件	1		
08	30204-080810	NUT M8	螺母	1		
09	6GU#-020002-6001	BUSHING	衬套	6		
10	A000-020004	DAMPER, MUFFLER	消声器缓冲套	3		
11	30006-080035810	BOLT M8x35	螺栓	1		
12	6GU#-020001-6000	MUFFLER MOUNTING SHAFT	消声器安装轴	1		
13	6GU#-021500-6001	CALMP KIT 2	卡箍组件 II	1		
14	6GU#-021003-6000	SEAL SLEEVE 2, GRAPHITE	石墨密封套 II	1		
15	6GU#-021300-6001	REAR MUFFLER BODY ASSY	尾筒体焊接组件	1		
16	6GU#-021005-6000	GUARD RUBBER SLEEVE	护罩橡胶套	2		
17	6GU#-021004-6000	MUFFLER GUARD	消声器护罩	1		
18	6NTA-040202	INNER HEX SCREW M5x12	内六角螺钉M5x12	1		

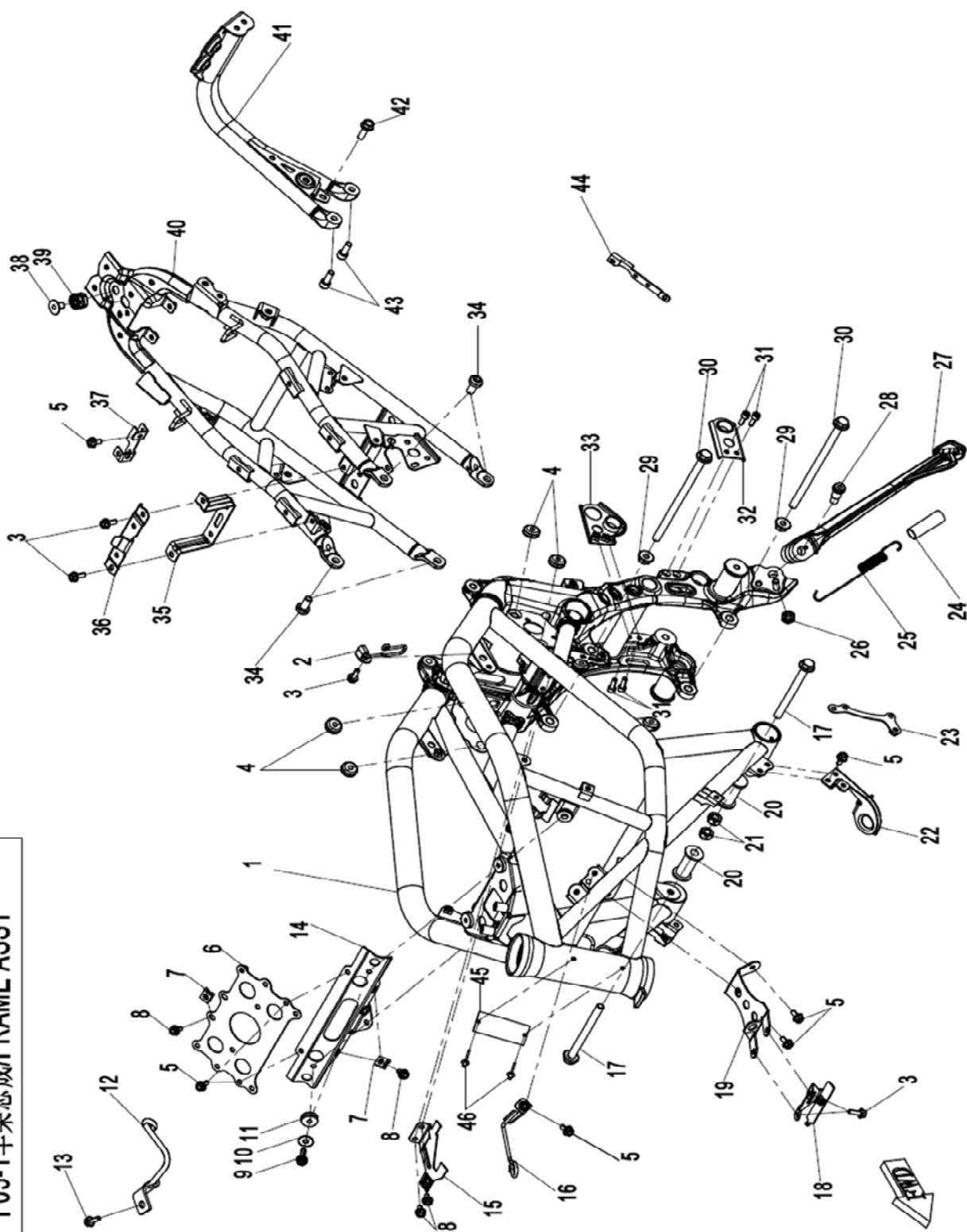
F02 消声器总成/MUFFLER COMP



F03-1 车架 FRAME

Item No.	Parts Number	Parts Name(EN)	Parts Name(CN)	Qty	Remark(s)	Alternative Parts
01	6GU#-031000-6001-0BP00	MAIN FRAME	主车架焊接组件	1		
02	6GU#-030110-6000	WIRE CLIP, REAR BRAKE FLUID HOSE	后制动油管固定线夹	1		
03	30006-060016870	BOLT M6x16	螺栓	5		
04	0180-015003	RUBBER SLEEVE	橡胶套	4		
05	30006-060010810	BOLT M6x10 (TRIVALENT CHROMIUM 8.8)	螺栓	8		
06	6GU#-030020-6000	BRACKET, ECU	ECU安装支架	1		
07	8030-040800-00001	NUT CLIP M6	M6螺母夹	3		
08	30006-060012870	BOLT M6x12	螺栓	10		
09	30006-060020870	BOLT M6x20	螺栓	2		
10	6GU#-030150-6001	LIMIT BRACKET	T型衬套	2		
11	9010-160101	RUBBER MAT, HEADLIGHT	前照灯胶垫	2		
12	6GU#-030130-6000	BRACKET, CLUTCH CABLE	离合拉锁支架	1		
13	30006-050012810	BOLT M5x12	螺栓	1		
14	6GU#-030050-6000	BRACKET, AIR FILTER	空滤器安装支架	1		
15	6GU#-030006-6000	BRACKET, ROLL-OVER VALVE	倾倒阀安装支架	1		
16	6GUV-030140-6002	LIMIT BRACKET	限位支架	1		
17	30006-102110110	BOLT M10x1.25x110	螺栓	2		
18	6GU#-030060-6000	BRACKET, FRONT BRAKE FLUID HOSE	前制动油管固定支架	1		
19	6GU#-030040-6000	BRACKET, ABS	ABS安装支架	1		
20	A000-000201	BUSHING, ENGINE	发动机安装套	2		
21	30203-102110	NUT M10x1.25	螺母	2		
22	6GU#-030090-6000	BRACKET, RADIATOR	散热器安装支架	1		
23	6GU#-030030-6000	BRACKET, RESERVOIR TANK	副水箱安装支架	1		
24	A000-030210	SPRING, SIDE STAND	边撑弹簧组合	1		
25	A000-030004	SPRING COLLAR, SIDE STAND	边撑弹簧护套	1		
26	30208-102810	NUT M10x1.25	螺母	1		
27	6GU#-030005-6000	SIDE BRACKET	侧支架	1		
28	6GU#-030008-6000	BOLT, SIDE BRACKET	侧支架螺栓	1		
29	30204-102810	NUT M10x1.25	螺母	2		
30	6GU#-030002-6000	ENGINE MOUNTING SHAFT	发动机安装轴	2		
31	30102-060016810	SCREW	螺钉	4		
32	6GU#-030070-6000	LH BRACKET, MUFFLER	消声器左安装支架	1		
33	6GU#-030080-6000	RH BRACKET, MUFFLER	消声器右安装支架	1		
34	6GU#-030007-6000	MOUNTING BOLT, VICE FRAME	副车架安装螺栓	4		
35	6GU#-030010-6000	BRACKET, FUEL TANK	油箱安装支架	1		
36	6GU#-030001-6000	LIMIT BRACKET, SEAT	座垫限位支架	1		
37	6GU#-030120-6000	BRACKET, ROLL-OVER SENSOR	侧倾传感器安装支架	1		
38	6KM0-120010	T-TYPE BUSHING ASSY	T型衬套组合	1		
39	5020-031001	RUBBER SLEEVE, FRONT LICENSE BRACKET	前牌照支架橡胶胶套	1		
40	6GU#-032000-6002-0BP00	SUB FRAME	副车架焊接组件	1		
41	6GU#-030200-6000	BRACKET, REAR FENDER	后挡泥板支架焊接组件	1		
42	30006-080025810	BOLT M8x25	螺栓	1		
43	30102-080020870	SCREW M8x20	螺钉M8x20	2		
44	6GU#-030160-6000	BRACKET, FENDER GUARD	挡泥罩支架	1		
45	6FIA-190012	VEHICLE PLATE	车辆铭牌	1		
46	30902-0401320	BLIND RIVET 4x13	抽芯铆钉	2		

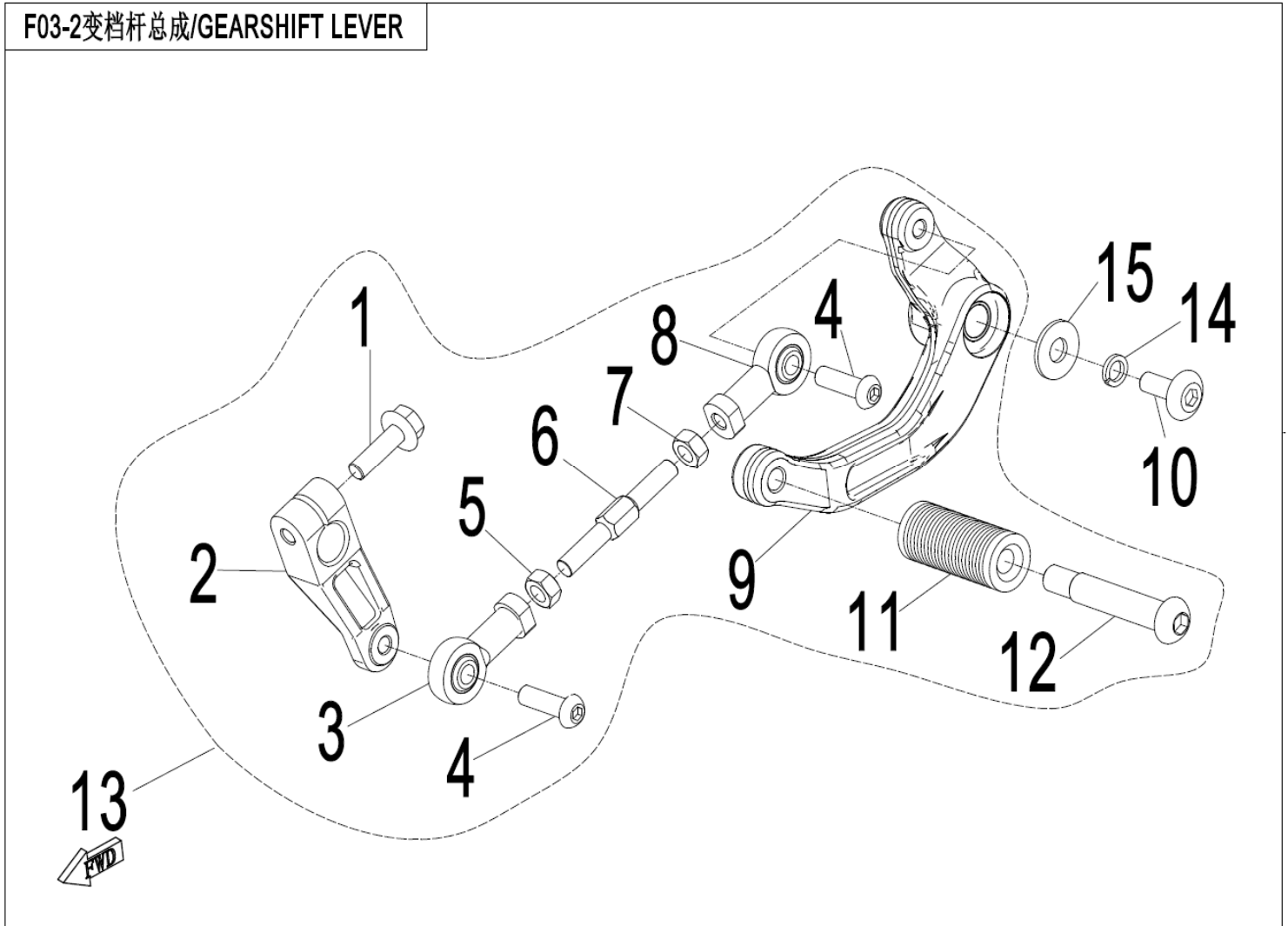
F03-1车架总成/FRAME ASSY



F03-2 变档杆 GEARSHIFT LEVER

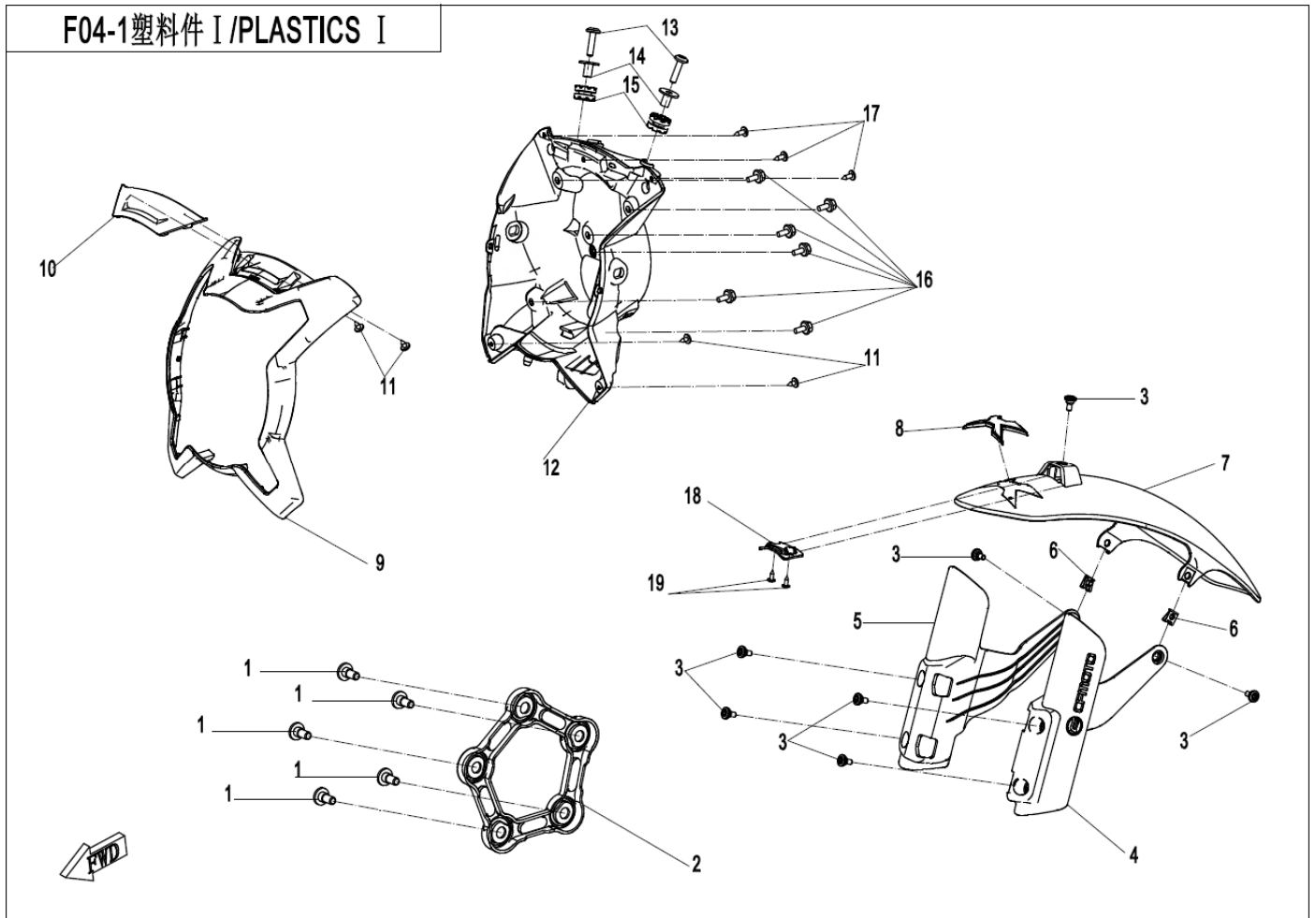
Item No.	Parts Number	Parts Name(EN)	Parts Name(CN)	Qty	Remark(s)	Alternative Parts
01	30006-060020870	BOLT M6x20	螺栓	1		
02	6GU#-140105-6000	SWING ARM, GEARSHIFT	换挡摇臂	1		
03	6GU#-140140-6000	BEARING	关节轴承 SIJK6C	1		
04	30121-060020870	SCREW M6x20	螺钉	2		30121-060020830
05	30200-060870	NUT	螺母	1		30200-060810
06	6GU#-140102-6000	CONNECTING ROD	连杆	1		
07	30200-06087L	NUT M6	螺母	1		
08	6GU#-140160-6000	BEARING	关节轴承 SILJK6C	1		
09	6GU#-140110-6000	PEDAL ASSY, GEARSHIFT ROD	变档杆踏板组合	1		
10	6KM#-040702-8000	INNER HEX SCREW M6x12	内六角螺钉M6x12	1		
11	0700-065404	RUBBER SLEEVE, FOOT PEDAL	踏杆胶套	1		
12	6NQ#-140104-6002	BOLT, PEDAL	踏杆螺栓	1		
13	6GU#-140100-6000	SHIFT LEVER CONNECTING KIT	变档杆连接组合	1		
14	6GU#-140201-6000	BOLT M8x25	凸台螺栓M8x25	1		
15	30303-060112	WASHER 6	垫圈	1		

F03-2变档杆总成/GEARSHIFT LEVER



F04-1 塑料件1 PLASTICS1

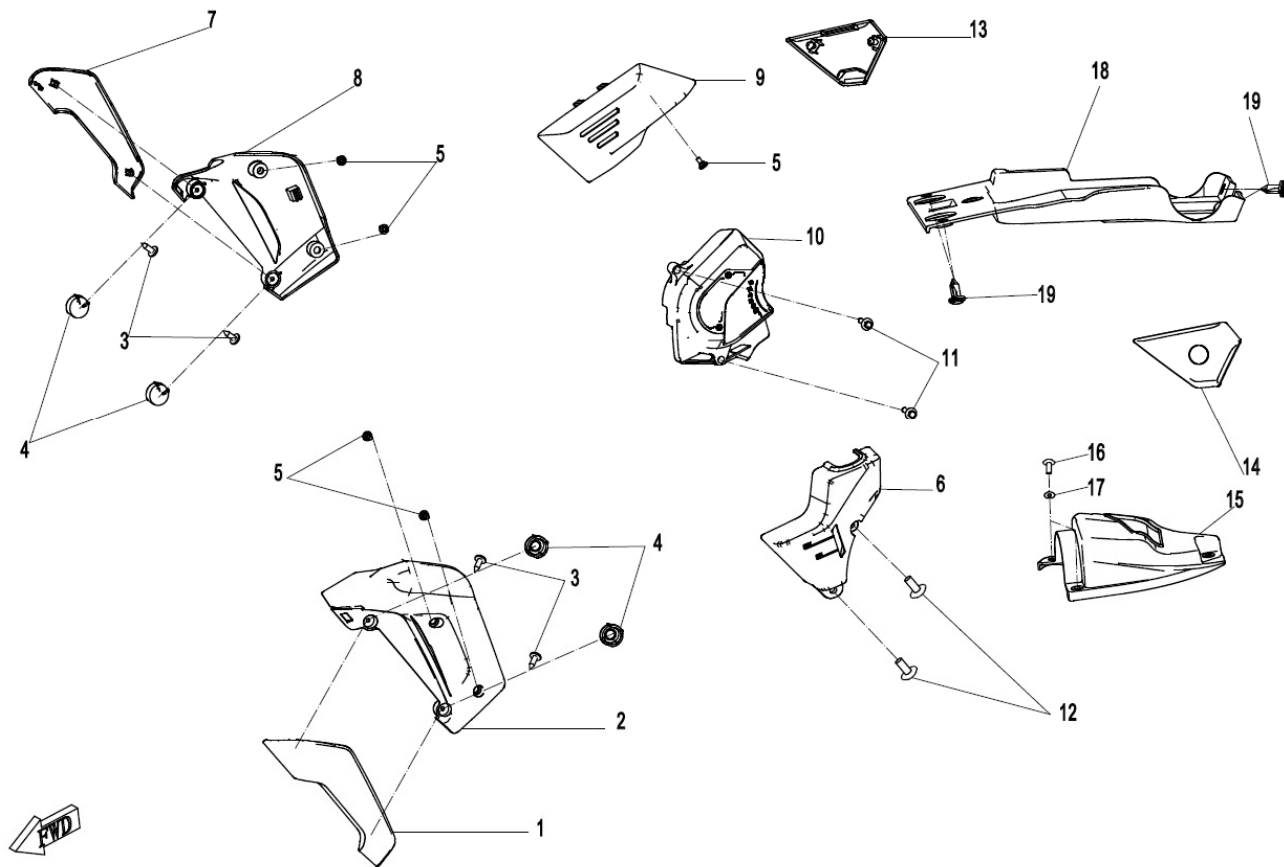
Item No.	Parts Number	Parts Name(EN)	Parts Name(CN)	Qty	Remark(s)	Alternative Parts
01	7030-220113	BOLT M8x20	凸台螺栓M8X20	5		
02	6GU#-040009-6000	DECO GUARD, RIM	轮辋装饰罩	1		
03	6KM#-040082-8000	SCREW KIT M5	M5组合台阶螺钉	7		
04	6GUV-040007-6001	LH DECO GUARD, FRONT SHOCK ABSORBER	前减左装饰罩	1		
05	6GUV-040008-6001	RH DECO GUARD, FRONT SHOCK ABSORBER	前减右装饰罩	1		
06	6KM#-040081-8000-M1	NUT CLIP M5	M5螺母夹	2		
07	6GUV-040005-6001-0ET00	FRONT FENDER	前泥板	1		
07	6GUV-040005-6001-0VL00	FRONT FENDER	前泥板	1		
08	6GU#-040006-6000	X DECAL	X标贴	1		
09	6GU#-040033-6000-0VP00	FRONT GUARD, HEADLIGHT (MATTE PAINTED ULTRA SILVER)	大灯前罩	1		
09	6GU#-040033-6000-0VL00	FRONT GUARD, HEADLIGHT (PAINTED ULTRA SILVER)	大灯前罩	1		
10	6GU#-040013-6000-0H300	UPPER DECO PLATE, HEADLIGHT	大灯上装饰板	1		
11	30110-420095010	SELF-TAPPING SCREW ST4.2x9.5	自攻螺钉	4		
12	6GU#-040032-6000	REAR GUARD, HEADLIGHT	大灯后罩	1		
13	6GU#-000201-6000	INNER HEX SCREW M6x25	内六角螺钉M6x25	2		
14	6GU#-000202-6000	T SHAPE BUSHING KIT	T型衬套组合	2		
15	5020-031001	RUBBER SLEEVE, FRONT LICENSE BRACKET	前牌照支架橡胶胶套	2		
16	6KM#-040702-8000	INNER HEX SCREW M6x12	内六角螺钉M6x12	6		
17	30110-420130070	SELF-TAPPING SCREW ST4.2x13-C-H	自攻螺钉	3		
18	6GU#-040057-6000	COVER, FRONT FENDER	前挡泥板小盖	1		
19	30110-420130010	SELF-TAPPING SCREW ST4.2x13	自攻螺钉	2		30110-421130010



F04-2 塑料件2 PLASTICS2

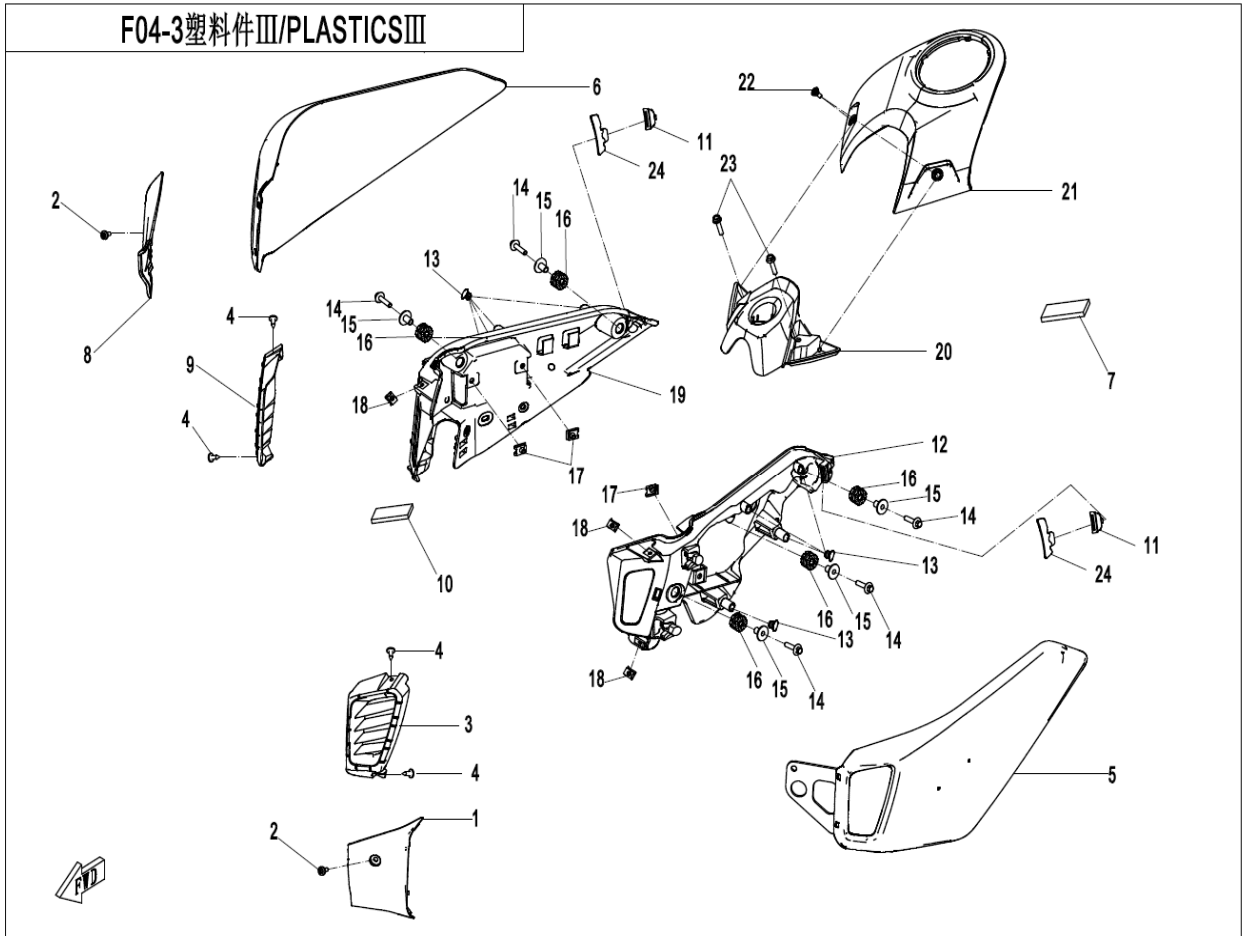
Item No.	Parts Number	Parts Name(EN)	Parts Name(CN)	Qty	Remark(s)	Alternative Parts
01	6GU#-040017-6000-0VP00	LH FRONT GUARD, RADIATOR (MATTE PAINTED ULTRA SILVER)	散热器左前护罩	1		
01	6GU#-040017-6000-0VL00	LH FRONT GUARD, RADIATOR (PAINTED ULTRA SILVER)	散热器左前护罩	1		
02	6GU#-040016-6000	LH REAR GUARD, RADIATOR	散热器左后护罩	1		
03	30110-421130010	SELF-TAPPING SCREW ST4.2x13	自攻螺钉	4		
04	6GU#-040021-6000	RUBBER MAT, RADIATOR GUARD	散热器护罩缓冲胶垫	4		
05	6KM#-040082-8000	SCREW KIT M5	M5组合台阶螺钉	5		
06	6GU#-040031-6000	CAP, RESERVOIR	副水箱小盖	1		
07	6GU#-040019-6000-0VP00	RH FRONT GUARD, RADIATOR (MATTE PAINTED ULTRA SILVER)	散热器右前护罩	1		
07	6GU#-040019-6000-0VL00	RH FRONT GUARD, RADIATOR (PAINTED ULTRA SILVER)	散热器右前护罩	1		
08	6GU#-040018-6000	RH REAR GUARD, RADIATOR	散热器右后护罩	1		
09	6GU#-040035-6000	CANISTER COVER	碳罐盖	1		
10	6GU#-040042-6000	SPROCKET GUARD	链轮罩	1		
11	0010-080013-0010	BOLT M6x22	螺栓	2		
12	30006-060025810	BOLT M6x25	螺栓	2		
13	6GU#-040055-6000-0B200	RH DECO STRAP	右装饰条	1		
14	6GU#-040054-6000-0B200	LH DECO STRAP	左装饰条	1		
15	6GU#-040056-6000	WATER-PROOF PLATE, AIR FILTER	空滤器挡水板	1		
16	30105-050016410	SCREW M5x16	螺钉	2		
17	30303-050042	WASHER 5	垫圈	2		
18	6GU#-040071-6000	FENDER GUARD	挡泥罩	1		
19	9060-040310	PLASTIC CLIPS	塑料卡组合	4		

F04-2塑料件 II / PLASTICS II



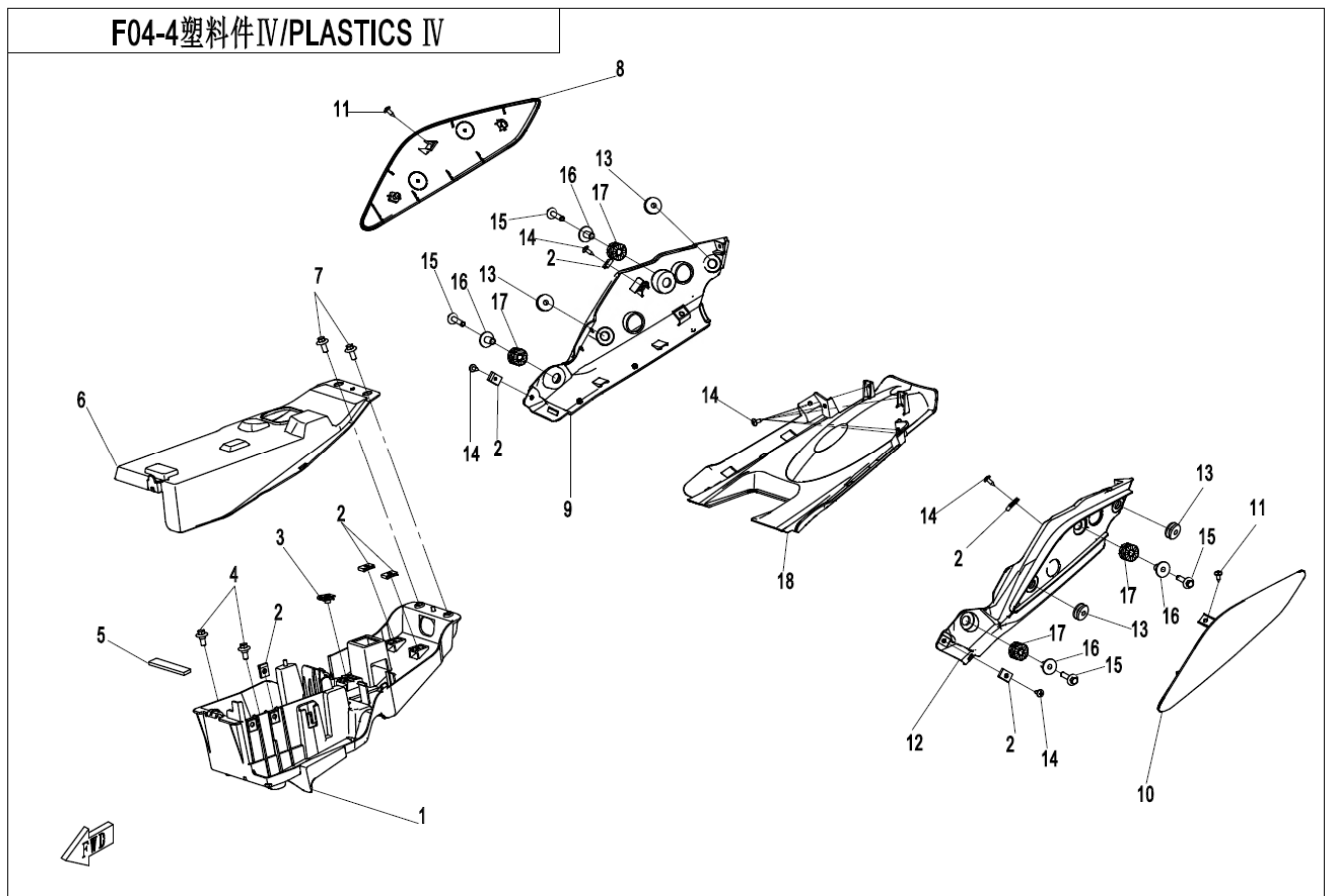
F04-3 塑料件3 PLASTICS3

Item No.	Parts Number	Parts Name(EN)	Parts Name(CN)	Qty	Remark(s)	Alternative Parts
01	6GU#-040061-6000	LH FRONT DECO PLATE, FUEL TANK	油箱左前装饰护板	1		
02	6NQ#-000203-6001	INNER HEX SCREW M6x20	内六角螺钉M6x20	2		
03	6GU#-040063-6000	LH VENTILATION PLATE, FUEL TANK	油箱左通风板	1		
04	30110-421130010	SELF-TAPPING SCREW ST4.2x13	自攻螺钉	4		
05	6GU#-040110-6000	LH ALUMINUM PANEL, FUEL TANK	油箱左铝护板组件	1		
06	6GU#-040120-6000	RH ALUMINUM PANEL, FUEL TANK	油箱右铝护板组件	1		
07	6GU#-040072-6000	SPONGE MAT	海绵垫	2		
08	6GU#-040062-6000	RH FRONT DECO PLATE, FUEL TANK	油箱右前装饰护板	1		
09	6GU#-040064-6000	RH VENTILATION PLATE, FUEL TANK	油箱右通风板	1		
10	6GU#-040072-6000	SPONGE MAT	海绵垫	2		
11	6GU#-040068-6001	REAR DAMPING RUBBER SLEEVE, PANEL	护板后缓冲胶套	2		
12	6GU#-040065-6000	LH INNER PANEL, FUEL TANK	油箱左内护板	1		
13	6KM#-100002-8000	RUBBER PLUG, CLUTCH LEVER	离合手柄胶塞	8		
14	30006-060025810	BOLT M6x25	螺栓	6		
15	6KM0-120010	T-TYPE BUSHING ASSY	T型衬套组合	6		
16	5020-031001	RUBBER SLEEVE, FRONT LICENSE BRACKET	前牌照支架橡胶胶套	6		
17	8030-040800-00001	NUT CLIP M6	M6螺母夹	3		
18	8010-000002	CLAMP ST4.2	夹板ST4.2	3		
19	6GU#-040066-6000	RH INNER PANEL, FUEL TANK	油箱右内护板	1		
20	6GU#-040015-6000	DECO COVER, POWER LOCK	电源锁装饰盖	1		
21	6GU#-040014-6000-0H300	UPPER GUARD, FUEL TANK (SILVER BLACK)	油箱上护盖	1		
21	6GU#-040014-6000-0VL00	UPPER GUARD, FUEL TANK (PAINTED ULTRA SILVER)	油箱上护盖	1		
21	6GU#-040014-6000-0VP00	UPPER COVER, FUEL TANK (MATTE PAINTED ULTRA SILVER)	油箱上护盖	1		
22	6L30-050020	SCREW KIT M5x12	组合台阶螺钉	2		
23	6KM#-040082-8000	SCREW KIT M5	M5组合台阶螺钉	2		
24	6GU#-040067-6000	FRONT RUBBER SLEEVE, PANEL	护板前缓冲胶套	4		



F04-4 塑料件4 PLASTICS4

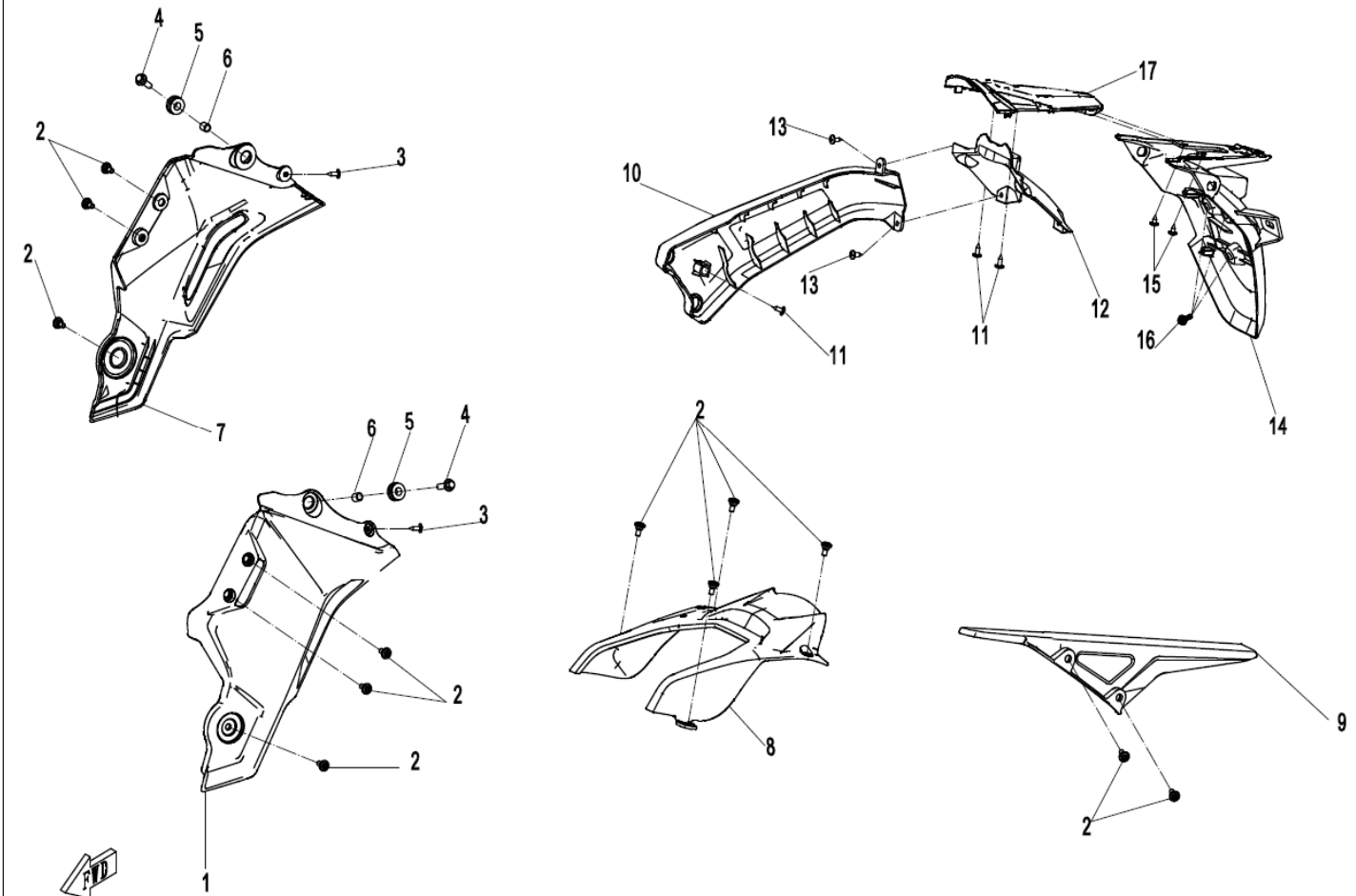
Item No.	Parts Number	Parts Name(EN)	Parts Name(CN)	Qty	Remark(s)	Alternative Parts
01	6GU#-040026-6000	BATTERY BOX	电池盒	1		
02	8010-000002	CLAMP ST4.2	夹板ST4.2	7		
03	8030-040800-00001	NUT CLIP M6	M6螺母夹	1		
04	5HY#-040001-1000	BOLT M6x14	螺栓M6x14	2		
05	9010-120008	SPONGE PAD, FUEL TANK	油箱海绵块	2		
06	6GU#-040043-6000	DUST-PROOF BOOT	电器防尘盖	1		
07	6NQ#-000206-6001	INNER HEX SCREW M6x16	内六角螺钉M6x16	2		
08	6GU#-040029-6000-0BA00	RH REAR DECO GUARD (COAL GREY)	右后装饰罩	1		
08	6GU#-040029-6000-0VL00	RH REAR DECO GUARD (PAINTED ULTRA SILVER)	右后装饰罩	1		
08	6GU#-040029-6000-0BR00	RH REAR DECO GUARD (COAL GREY)	右后装饰罩	1	FOR COAL GREY BIKE	
08	6GU#-040029-6000-0VP00	RH REAR DECO GUARD (MATTE PAINTED ULTRA SILVER)	右后装饰罩	1	FOR TWILIGHT BLUE BIKE	
09	6GU#-040023-6000	RH REAR GUARD	右后底罩	1		
10	6GU#-040028-6000-0BA00	LH REAR DECO GUARD (COAL GREY)	左后装饰罩	1		
10	6GU#-040028-6000-0VL00	LH REAR DECO GUARD	左后装饰罩	1		
10	6GU#-040028-6000-0BR00	LH REAR DECO GUARD (COAL GREY)	左后装饰罩	1	FOR COAL GREY BIKE	
10	6GU#-040028-6000-0VP00	LH REAR DECO GUARD (MATTE PAINTED ULTRA SILVER)	左后装饰罩	1	FOR TWILIGHT BLUE BIKE	
11	30118-420095010	SELF-TAPPING SCREW ST4.2x9.5	自攻螺钉	2		
12	6GU#-040022-6000	LH REAR GUARD	左后底罩	1		
13	A000-040302	RUBBER DAMPER	油箱外护罩缓冲橡胶	4		
14	30110-421130010	SELF-TAPPING SCREW ST4.2x13	自攻螺钉	10		
15	30006-060025810	BOLT M6x25	螺栓	4		
16	6KM0-120010	T-TYPE BUSHING ASSY	T型衬套组合	4		
17	5020-031001	RUBBER SLEEVE, FRONT LICENSE BRACKET	前牌照支架橡胶胶套	4		
18	6GU#-040024-6000	REAR LOWER FENDER	后下挡泥板	1		



F04-5 塑料件5 PLASTICS5

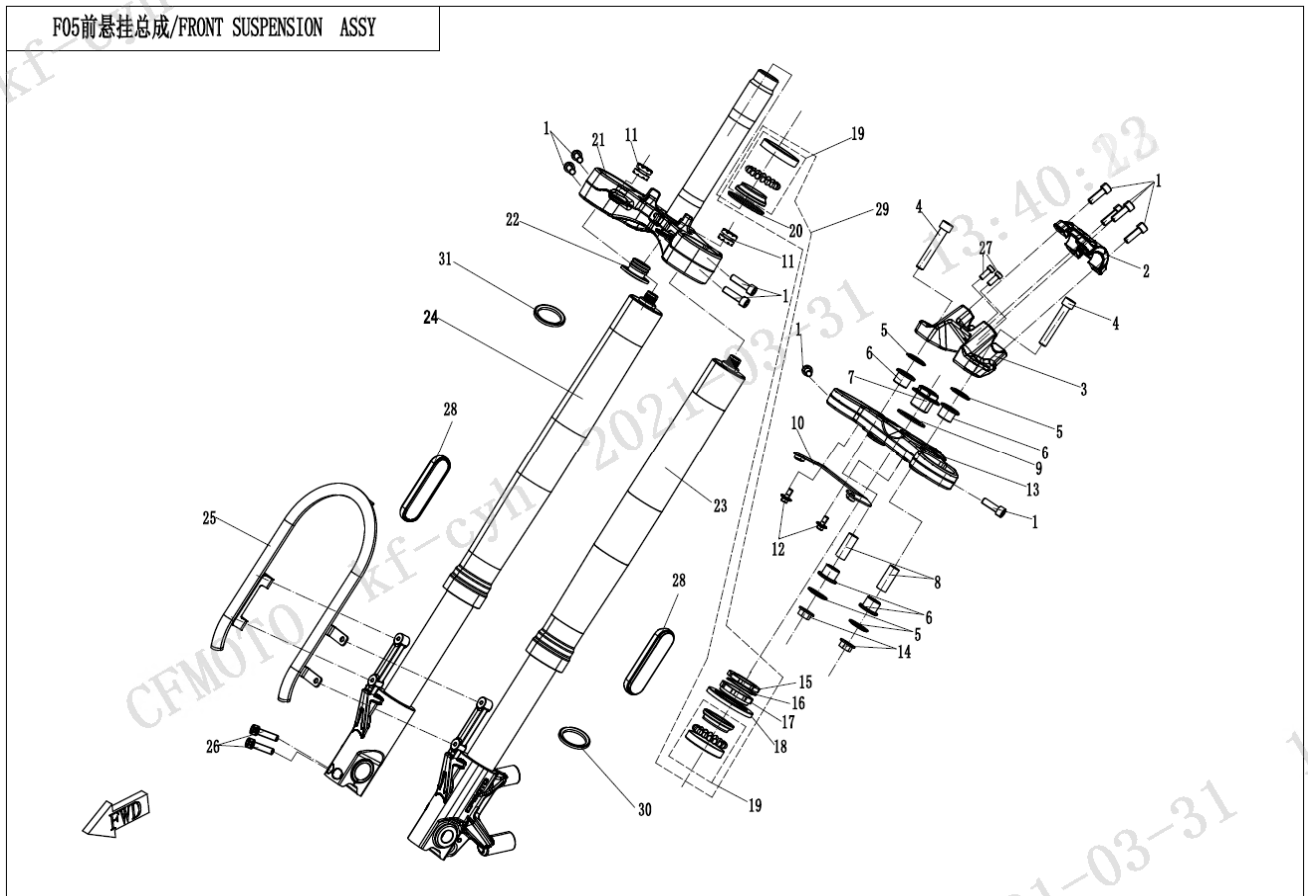
Item No.	Parts Number	Parts Name(EN)	Parts Name(CN)	Qty	Remark(s)	Alternative Parts
01	6GU#-040011-6001-0H300	LH PANEL (SILVER BLACK)	左护板	1		
02	6KM#-040082-8000	SCREW KIT M5	M5组合台阶螺钉	12		
03	30118-420095010	SELF-TAPPING SCREW ST4.2x9.5	自攻螺钉	2		
04	A000-040703	INNER HEX SCREW M6x20	内六角螺钉M6x20	2		
05	6090-040302	RUBBER DAMPER	缓冲胶套	2		
06	6090-040303	BUSHING	衬套	2		
07	6GU#-040012-6001-0H300	RH PANEL (SILVER BLACK)	右护板	1		
08	6GU#-040027-6000	REAR FENDER	后挡泥板	1		
09	6GU#-040034-6001	CHAIN GUARD	链条罩	1		
10	6GU#-040036-6001	BRACKET, REAR FENDER	后泥板支撑架	1		
11	30110-420130070	SELF-TAPPING SCREW ST4.2x13-C-H	自攻螺钉	3		
12	6GU#-040041-6000	INNER LINER, REAR LICENSE	后牌照内衬板	1		
13	30110-420160010	SELF-TAPPING SCREW ST4.2x16	自攻螺钉	2		
14	6GU#-040037-6001	SUPPORTING BRACKET, REAR LICENSE	后牌照支撑板	1		
15	30110-420095010	SELF-TAPPING SCREW ST4.2x9.5	自攻螺钉	2		
16	5HY#-040001-1000	BOLT M6x14	螺栓M6x14	3		
17	6GU#-040038-6000	MOUNTING PLATE, REAR LICENSE	后牌照安装板	1		

F04-5塑料件VI/PLASTICS VI



F05 前悬架 FRONT SUSPENSION

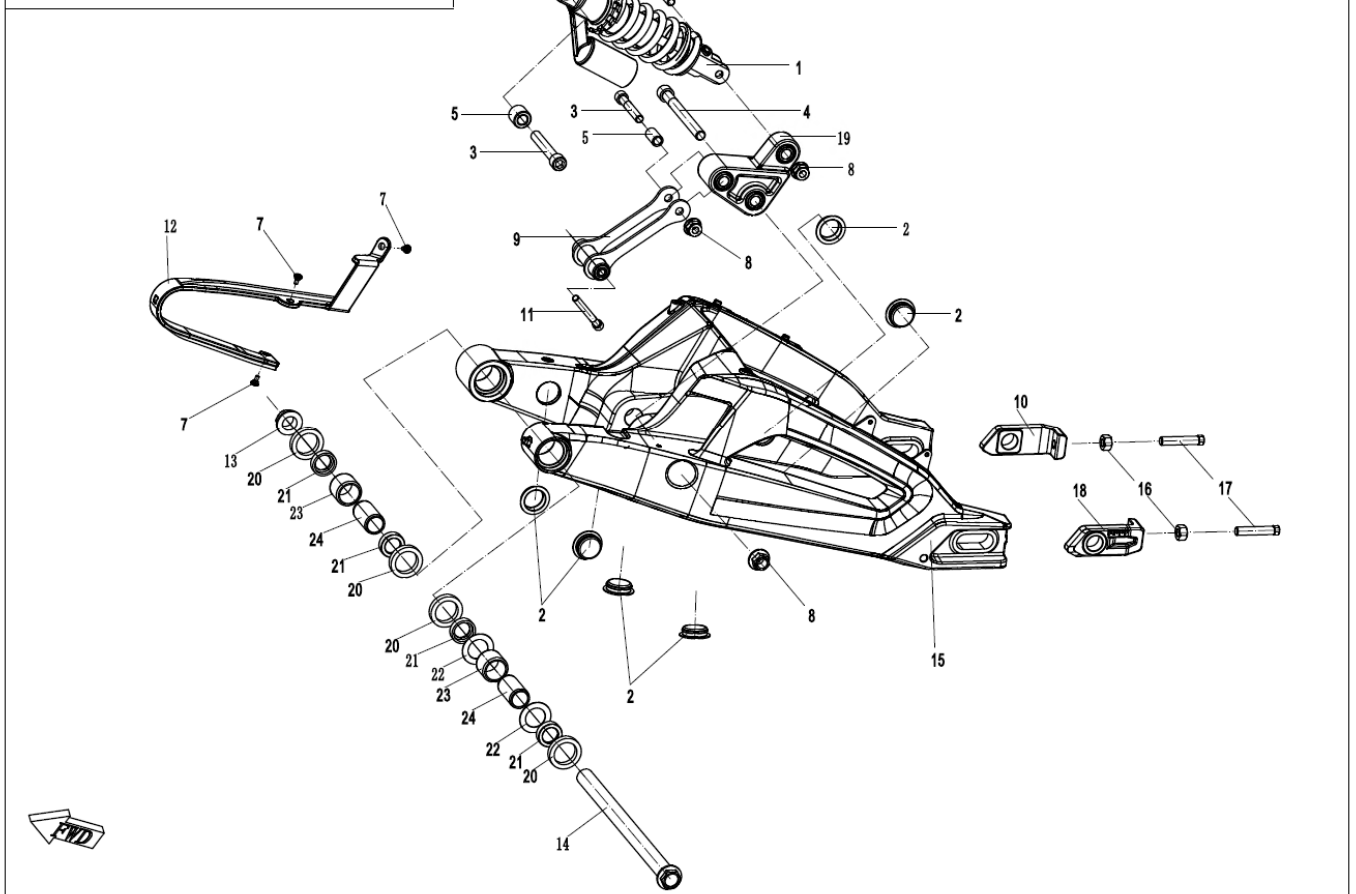
Item No.	Parts Number	Parts Name(EN)	Parts Name(CN)	Qty	Remark(s)	Alternative Parts
01	30102-080025870	INNER HEX SCREW M8×25	螺钉	10		
02	6GU#-050001-6000	PRESS COVER, HANDLEBAR	方向把压盖	1		
03	6GU#-050002-6000	BRACKET, HANDLEBAR	方向把支座	1		
04	30102-060016870	SCREW M6x16	螺钉	2		
05	6KJ0-050005	WASHER	垫圈	4		
06	6KJ0-050004	DAMPER RUBBER, UPPER TRIPLE CLAMP	上连板缓冲橡胶	4		
07	6NTA-050003	LOCK SCREW, UPPER TRIPLE CLAMP	上连板紧固螺钉	1		
08	6KJ0-050006-00001	LINER, UPPER TRIPLE CLAMP	上连板衬管	2		
09	A000-050004	WASHER 5	垫圈	1		
10	6GU#-050010-6000	BRACKET, HEADLIGHT	大灯安装支架组合	1		
10	6GU#-050010-6000-0B200	HEADLIGHT BRACKET	大灯安装支架组合	1		
11	5020-031001	RUBBER SLEEVE, FRONT LICENSE BRACKET	前牌照支架橡胶胶套	2		
12	30006-060012870	BOLT M6x12	螺栓	2		
13	6GU#-050003-6000	UPPER TRIPLE CLAMP	上连板	1		
14	30204-102810	NUT M10x1.25	螺母	2		
15	A000-050006	LOCK NUT 1	锁紧螺母 I	1		
16	A000-050008	WASHER 5	垫圈	1		
17	A000-050007	LOCK NUT 2	锁紧螺母 II	1		
18	A000-050009	DUST CAP, UPPER RETAINER	上挡圈防尘盖	1		
19	A000-050100-10000	STEERING BEARING ASSY	转向轴承组合	2		
20	A000-050400	ANTI-DUST CAP, LOWER RETAINING RING	下挡圈防尘盖组件	1		
21	6GU#-050030-6000	LOWER TRIPLE CLAMP ASSY	下连板组合	1		
22	A000-050011	RUBBER PLUG 2	橡胶塞 II	1		
23	6GU#-050100-6001-M1	FRONT LH SHOCK ABSORBER	前左减震器	1	TWILIGHT BLUE	
23	6GU#-050100-6001-M2	FRONT LH SHOCK ABSORBER	前左减震器	1	COAL GREY	
24	6GU#-050200-6001-M1	FRONT RH SHOCK ABSORBER	前右减震器	1	TWILIGHT BLUE	
24	6GU#-050200-6001-M2	FRONT RH SHOCK ABSORBER	前右减震器	1	COAL GREY	
25	6GU#-050020-6000-0BP00	FRONT FENDER BRACKET	前挡泥板支架焊接组合	1		
26	30102-080040870	SCREW M8x40	螺钉	2		
27	30102-102060810	SCREW M10x1.25x60	螺钉	2		
28	6KJV-160920-8001-M1	FRONT SIDE REFLECTOR	前侧反射器	2		
29	A000-0501B0	STEERING BEARING ASSY	转向轴承组合	1		
30	6GU#-050100-6001-24	OIL SEAL	油封	1		
31	6GU#-050200-6001-24	OIL SEAL	油封	1		



F06 后悬架 REAR SUSPENSION

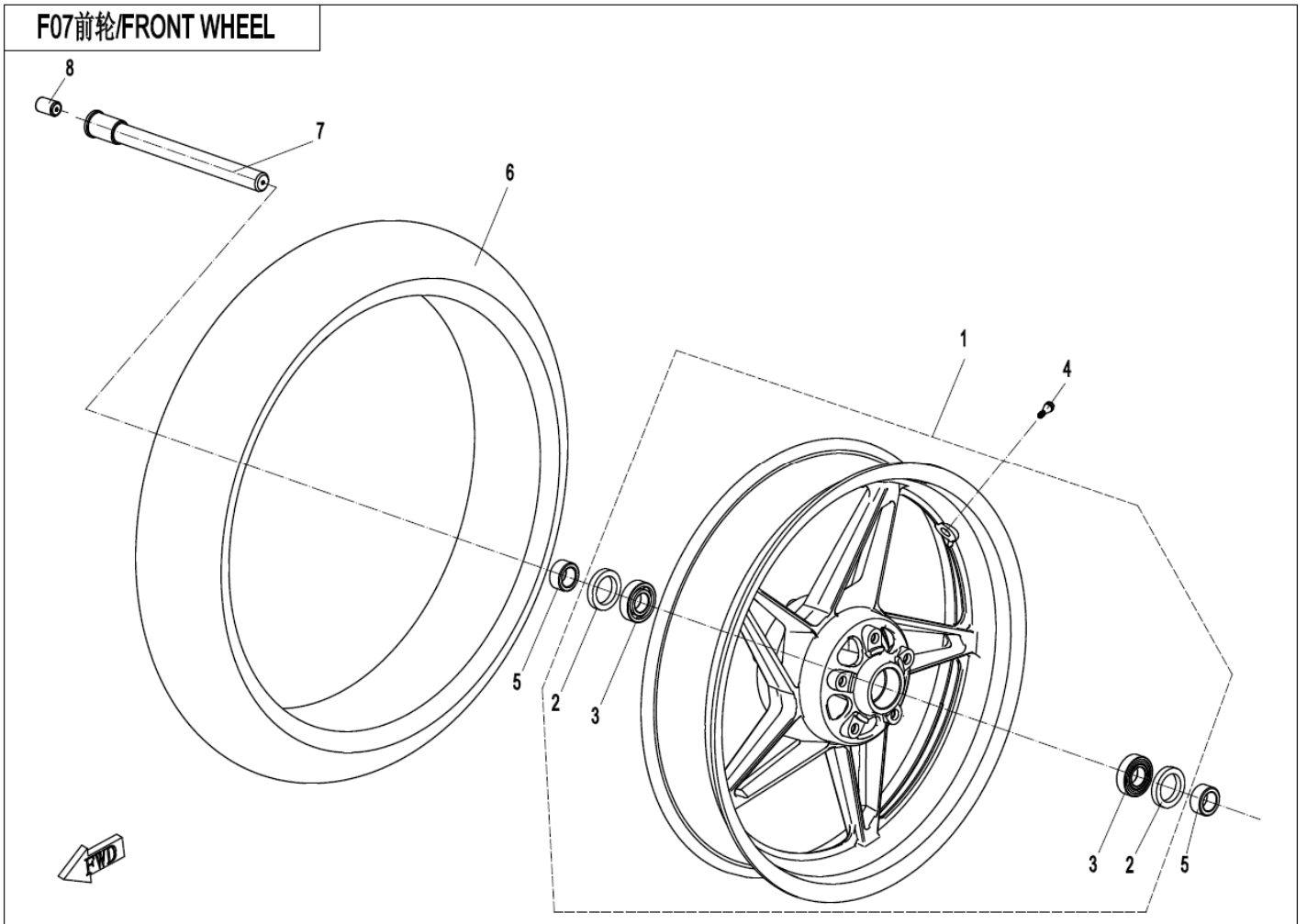
Item No.	Parts Number	Parts Name(EN)	Parts Name(CN)	Qty	Remark(s)	Alternative Parts
01	6GU#-060100-6001-M1	REAR SHOCK ABSORBER	后减震器	1		
02	6NT1-060003	DUST CAP, SMALL	小防尘盖	6		
03	6GU#-060006-6000	BOLT M12x75	三角摇臂螺栓M12x75	2		
04	30102-122120110	SCREW M12x1.25x120	螺钉	1		
05	6GU#-060003-6000	SPACER, A-SHAPE SWING ARM	三角摇臂安装隔套	2		
06	30102-122060110	SCREW M12x1.25x60	螺钉	1		
07	6KM#-040082-8000	SCREW KIT M5	M5组合台阶螺钉	3		
08	30204-122810	NUT M12x1.25	螺母	3		
09	6GU#-060300-6000	TIE-ROD ASSY	拉杆组合	1		
10	6GU#-060502-6000	RH ADJUSTING BLOCK, CHAIN	右链条调节块	1		
11	6GU#-060005-6000	BOLT M10x120	拉杆螺栓M10x120	1		
12	6GU#-060009-6000	CHAIN GUARD	链条护卡	1		
13	A000-060004	NUT M20x1.5	螺母	1		
14	6GU#-060004-6002	REAR FORK SHAFT	后平叉轴	1		
15	6GU#-060001-6000	REAR FORK	后平叉	1		
16	6L30-060013	LOCK NUT, CHAIN ADJUSTER	链条调节器锁紧螺母	2		
17	6GU#-060007-6000	ADJUSTING BOLT, CHAIN	链条调节螺栓	2		
18	6GU#-060501-6000	LH ADJUSTING BLOCK, CHAIN	左链条调节块	1		
19	6GU#-060200-6000	A-SHAPE SWING ARM ASSY	三角摇臂组合	1		
20	6L30-060030	OIL SEAL, REAR FORK	后平叉油封	4		
21	6L30-060007	CAP, REAR FORK LINER	后平叉衬管端盖	4		
22	6L30-060004	LIMIT WASHER	限位垫圈	2		
23	6L30-060020	BEARING, REAR FORK	后平叉轴承	2		
24	6GU#-060401-6000	BUSHING, REAR FORK	后平叉衬套	2		

F06后悬挂总成/REAR SUSPENSION ASSY



F07 前轮 FRONT WHEEL

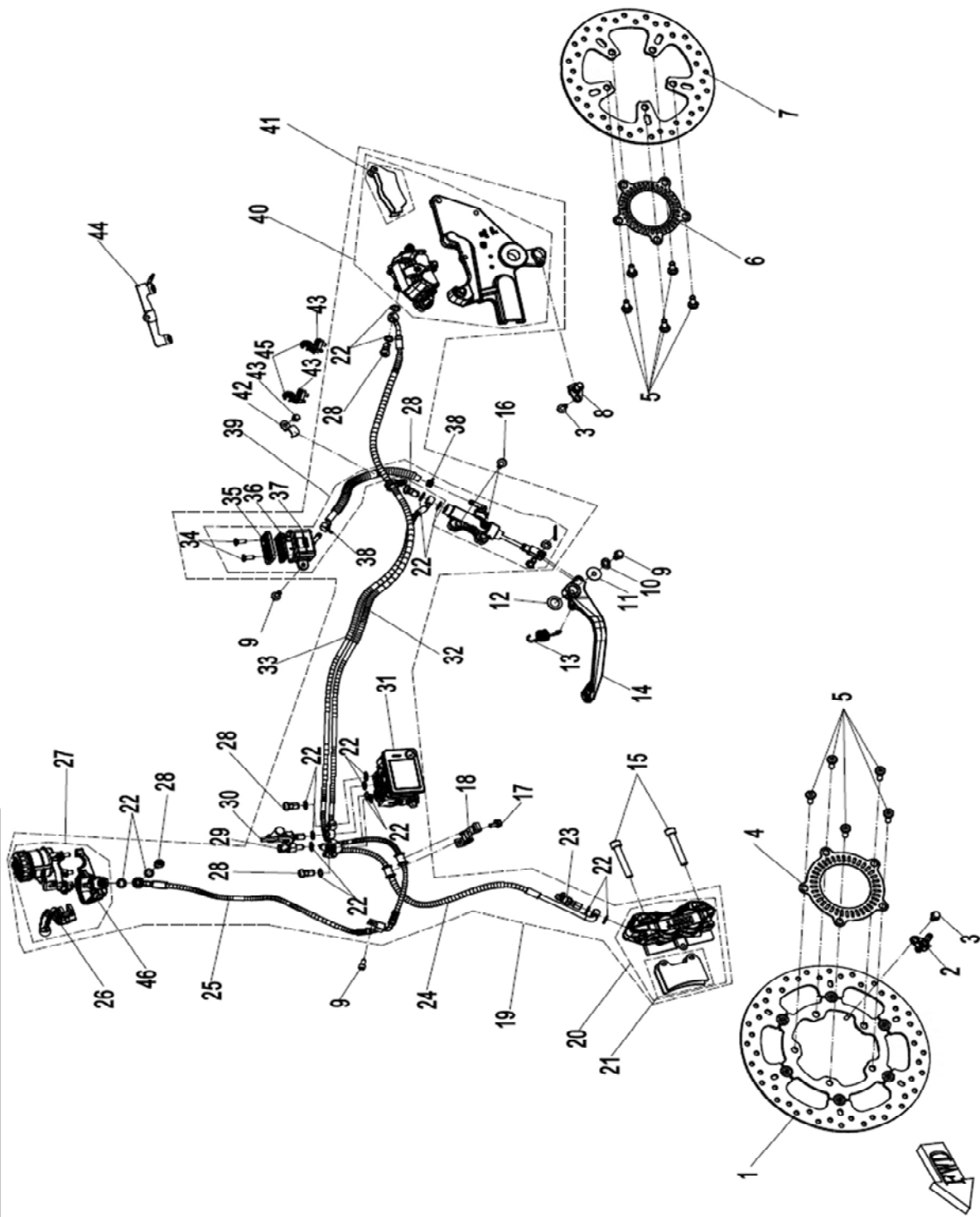
Item No.	Parts Number	Parts Name(EN)	Parts Name(CN)	Qty	Remark(s)	Alternative Parts
01	6GU#-070100-6000-10	FRONT RIM ASSY	前轮辋组合	1	TWILIGHT BLUE	
01	6GU#-070100-6000-11	FRONT RIM ASSY	前轮辋组合	1	COAL GREY	
02	30501-030800N	OIL SEAL (FB30x42x7)	油封	2		
03	30400-02003	BEARING (6004-2RS)	滚动轴承	2		
04	5190-070030-1000	VALVE, INFLATION	气门嘴	1		
05	A000-070002	BUSHING, FRONT AXLE	前轮轴衬套	2		
06	30705-1801	FRONT TIRE	前轮胎	1		3070SH-180100
07	A000-070001	AXLE, FRONT WHEEL (WITH KYB SHOCK ABSORBER)	前轮轴	1		
08	A000-050016	RUBBER PLUG, FRONT WHEEL AXLE	前轮轴橡胶塞	1		



F08 液压制动总成 (ABS) BRAKE ASSY (ABS)

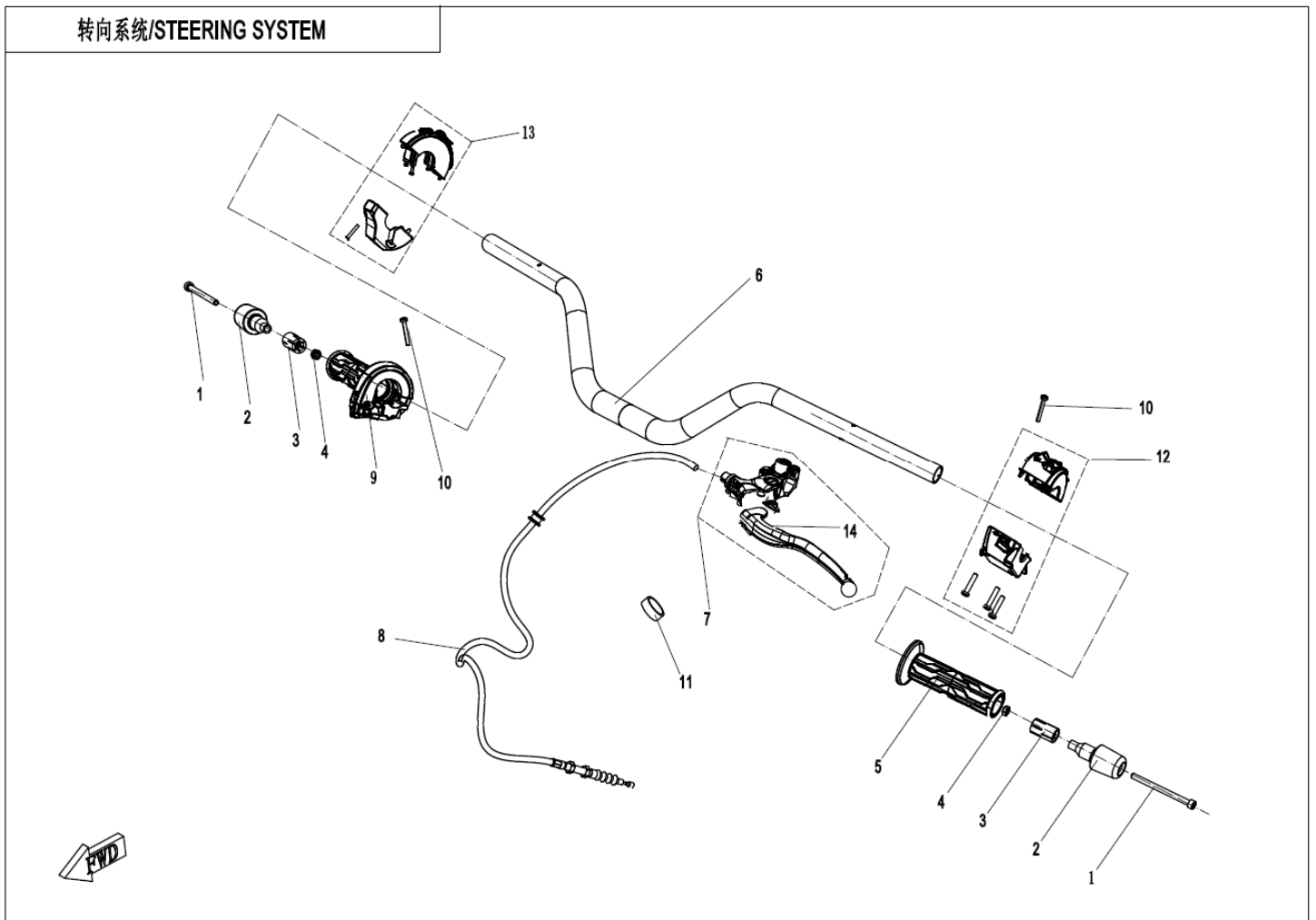
Item No.	Parts Number	Parts Name(EN)	Parts Name(CN)	Qty	Remark(s)	Alternative Parts
01	6GU#-080001-6001-M1	FRONT BRAKE DISC	前制动盘	1		
02	6GU#-081800-6001-M1	RPM SENSOR, FRONT WHEEL	前轮轮速传感器	1		
03	30006-060016870	BOLT M6x16	螺栓	2		
04	6GU#-080002-6001	FRONT GEAR RING	前齿圈	1		
05	A000-080003-10000	BOLT, BRAKE DISC	制动盘螺栓	10		
06	6GU#-090002-6001	REAR GEAR RING	后齿圈	1		
07	6GU#-090001-6000-M1	REAR BRAKE DISC	后制动盘	1		
08	6GU#-081700-6001-M1	RPM SENSOR, REAR WHEEL	后轮轮速传感器	1		
09	30006-060016870	BOLT M6x16	螺栓	2		
10	30303-060112	WASHER 6	垫圈	1		
11	A000-080006-10000	WASHER 1	垫片 I 7×24×1.6 性能等级100HV	1		
12	A000-080007-10000	WASHER 2	垫片 II	1		
13	6NTG-080005	RETURN SPRING	回位弹簧	1		
14	6GU#-081401-6001	REAR BRAKE PEDAL	后制动踏板	1		
15	30102-102060810	SCREW M10x1.25x60	螺钉	2		
16	30102-060020810	SCREW M6x20	螺钉	2		
17	30102-060012810	SCREW	螺钉	1		
18	6GU#-080004-6000	WIRE CLIP 2, FRONT BRAKE FLUID HOSE	前制动油管线夹 II	1		
19	6GU#-081000-6005	ABS BRAKE ASSY	ABS制动器总	1		
20	6GU#-081100-6000	FRONT LH BRAKE CALIPER ASSY	前左制动钳体组合	1		
21	6GU#-0811A0-6000	FRONT BRAKE PAD ASSY	前制动片组合	1		
22	A000-080102-2000	WASHER	垫圈	16		
23	6GU#-081000-6000-22	BANJO BOLT 1	过油螺栓 I	1		
24	6GU#-081020-6001	FRONT BRAKE FLUID INLET HOSE	前制动进油管	1		
25	6GU#-081010-6001	FRONT BRAKE FLUID OUTLET HOSE	前制动出油管	1		
26	6GU#-080110-6000-39	LEVER	手柄	1		
27	6GU#-080110-6003-M1	FRONT BRAKE MASTER CYLINDER ASSY	前制动泵组合	1		
28	6GU#-081000-6000-23	BANJO BOLT 2	过油螺栓 II	5		
29	6GU#-080010-6003	HYDRAULIC INDUCTION SWITCH	双路液压感应开关	1		
30	6GU#-080015-6001-M1	OIL-PRESSURE SWITCH	单路常闭油压开关	1		
31	6GU#-081500-6001	MAB EXECUTION UNIT	MAB执行单元	1		
32	6GU#-081050-6000	REAR BRAKE FLUID OUTLET HOSE	后制动出油管	1		
33	6GU#-081040-6000	REAR BRAKE FLUID INLET HOSE	后制动进油管	1		
34	A000-080229-2000	SCREW, FLUID RESERVOIR CAP	油杯盖螺钉	2		
35	A000-080211-2000	FLUID RESERVOIR CAP	油杯盖	1		
36	A000-080232-2000	SEAL RING, FLUID RESERVOIR	油杯密封圈	1		
37	A000-080212-2000	FLUID RESERVOIR	油杯体	1		
38	A000-080213-2000	CLIP	油管夹	2		
39	6GU#-081300-6001	REAR BRAKE PUMP ASSY	后刹主泵总成	1		
39	6GU#-081300-6003	REAR BRAKE MASTER CYLINDER ASSY	后刹主泵总成	1		
40	6GU#-091100-6002	REAR BRAKE CALIPER ASSY	后制动钳体组合	1		
41	6GU#-0911A0-6002	REAR BRAKE PAD ASSY	后制动片组合	1		
42	6GU#-080006-6000	WIRE CLIP, REAR BRAKE MASTER CYLINDER	后刹主泵油管线夹	1		
43	30006-050012870	BOLT	螺栓	3		
44	6GU#-080007-6000	WIRE CLIP, RPM SENSOR CABLE	轮速传感器线束固定线夹	1		
45	6GU#-080009-6000	WIRE CLIP, BRAKE FLUID HOSE	制动油管线夹	2		
46	A000-080137-2000	BRAKE SWITCH	制动开关	1		

液压制动总成 / HYDRAULIC BRAKE ASSY



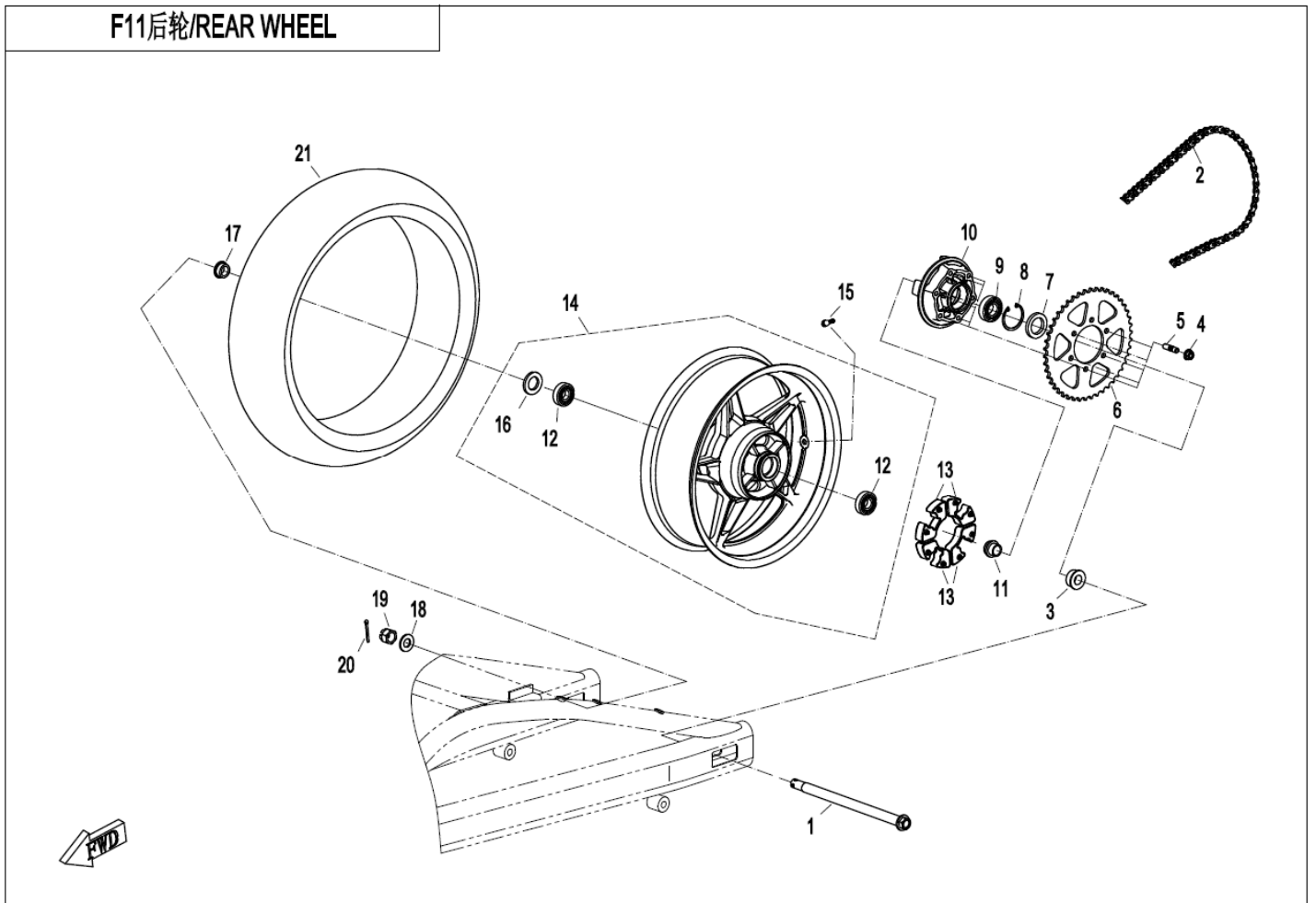
F10 转向系统 STEERING SYSTEM

Item No.	Parts Number	Parts Name(EN)	Parts Name(CN)	Qty	Remark(s)	Alternative Parts
01	30102-060075870	SCREW M6x75	螺钉	2		
02	6KJ0-100011	BALANCER	平衡块	2		
03	8060-100109	TENSIONER TOOL	胀紧块	2		
04	30200-060810	NUT M6	螺母	2		
05	6GUV-100001-6000	LH HAND GRIP ASSY	左握把组件	1		
06	6GU#-100100-6001	HANDLEBAR PIPE	方向把管	1		
07	6GU#-100200-6001	CLUTCH LEVER ASSY	离合手柄组合	1		
08	6GU#-100600-6002	CABLE, CLUTCH	离合器拉索	1		
09	6GUV-100020-6001	ELECTRICAL THROTTLER ASSY	电子油门组件	1		
10	30105-040030410	SCREW M4x30	螺钉	2		
11	6KJ0-100002	TIE BAND, CLUTCH	离合器拉索绑带	1		
12	6GUV-166000-6003	HANDLEBAR SWITCH ASSY, LH	左手把开关总成	1		
13	6GUV-167000-6101	HANDLEBAR SWITCH ASSY, RH	右手把开关总成	1		
14	6NQV-100200-6004	CLUTCH LEVER ASSY	离合手柄组合	1		



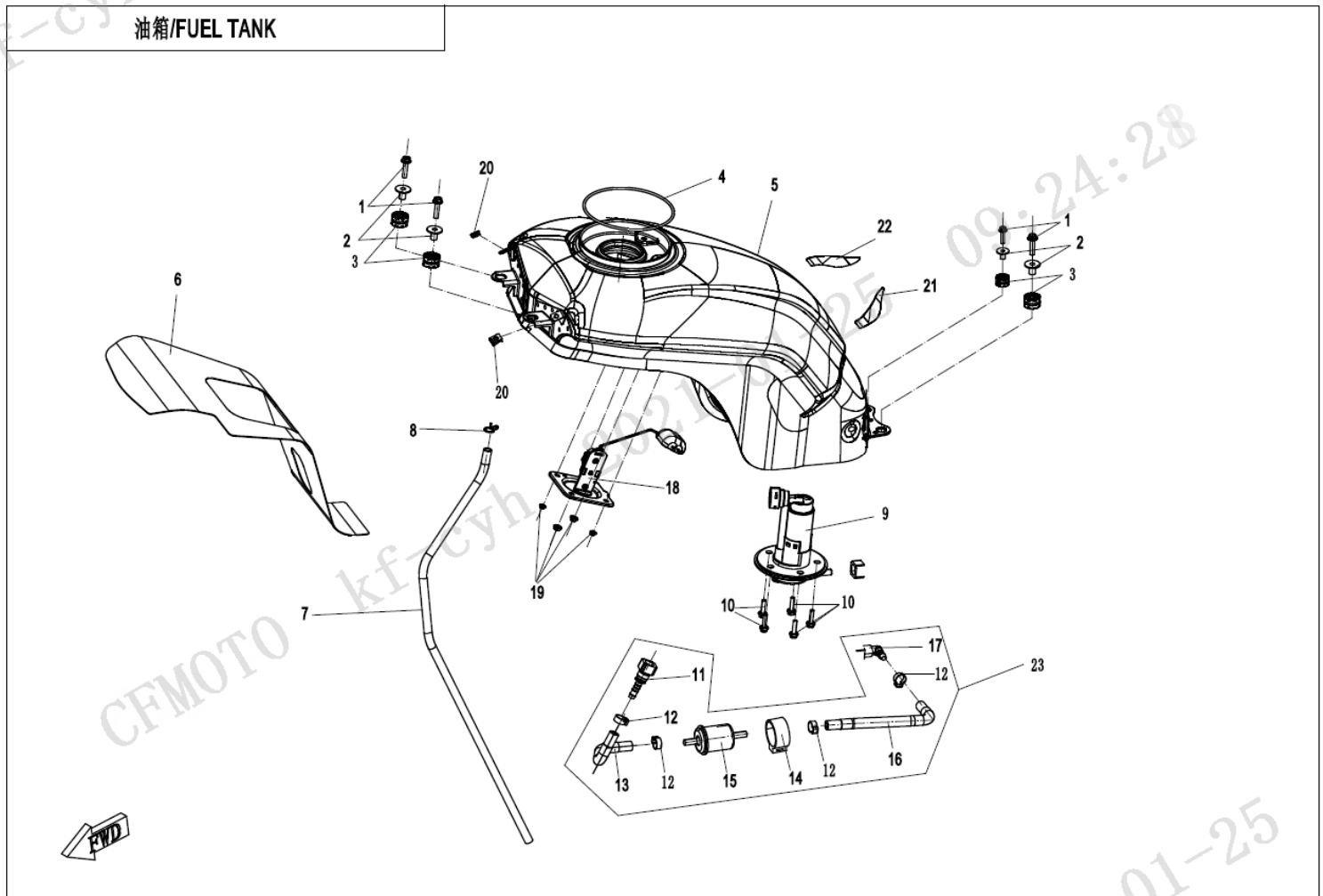
F11 后轮 REAR WHEEL

Item No.	Parts Number	Parts Name(EN)	Parts Name(CN)	Qty	Remark(s)	Alternative Parts
01	6L30-110001	REAR WHEEL SHAFT	后轮轴	1		
02	3120914	CHAIN	链条	1		
03	A000-110002	LH SHAFT SLEEVE, REAR WHEEL	后轮左轴套	1		
04	30204-102810	NUT M10x1.25	螺母	1		
05	30020-102025410	STUD (AM10x1.25x25)	螺柱	1		
06	6GUV-110004-6000	REAR SPROCKET	后链轮	1		
07	30501-035800N	OIL SEAL (FB35x52x8)	油封	1		
08	30800-05205	CIRCLIP FOR HOLE 52	孔用弹性挡圈	1		
09	30400-02503	BEARING (6205-2RS)	滚动轴承	1		
10	6GU#-110002-6000	SPROCKET SEAT	链轮座	1		
11	6GU#-110003-6000	BUSHING, SPROCKET SEAT	链轮座衬套	1		
12	30400-02001	BEARING (6204-RS)	滚动轴承	2		
13	6L30-110003	DAMPER, SPROCKET	链轮缓冲块	6		
14	6GU#-110200-6000-10	REAR RIM ASSY	后轮辋组合	1	TWILIGHT BLUE	
14	6GU#-110200-6000-11	REAR RIM ASSY	后轮辋组合	1	COAL GREY	
15	5190-070030-1000	VALVE, INFLATION	气门嘴	1		
16	30501-028800N	OIL SEAL (FB28x47x7)	油封	1		
17	6NT1-110003	WASHER, REAR WHEEL AXLE	后轮右轴套	1		
18	A000-110009	WASHER 18, REAR WHEEL AXLE	后轮轴平垫18	1		
19	A000-110011	NUT, REAR WHEEL	后轮轴螺母	1		
20	30903-0403510	COTTER PIN (4.0x35)	开口销	1		
21	30705-1738	REAR TIRE	后轮胎	1		



F12 油箱 FUEL TANK

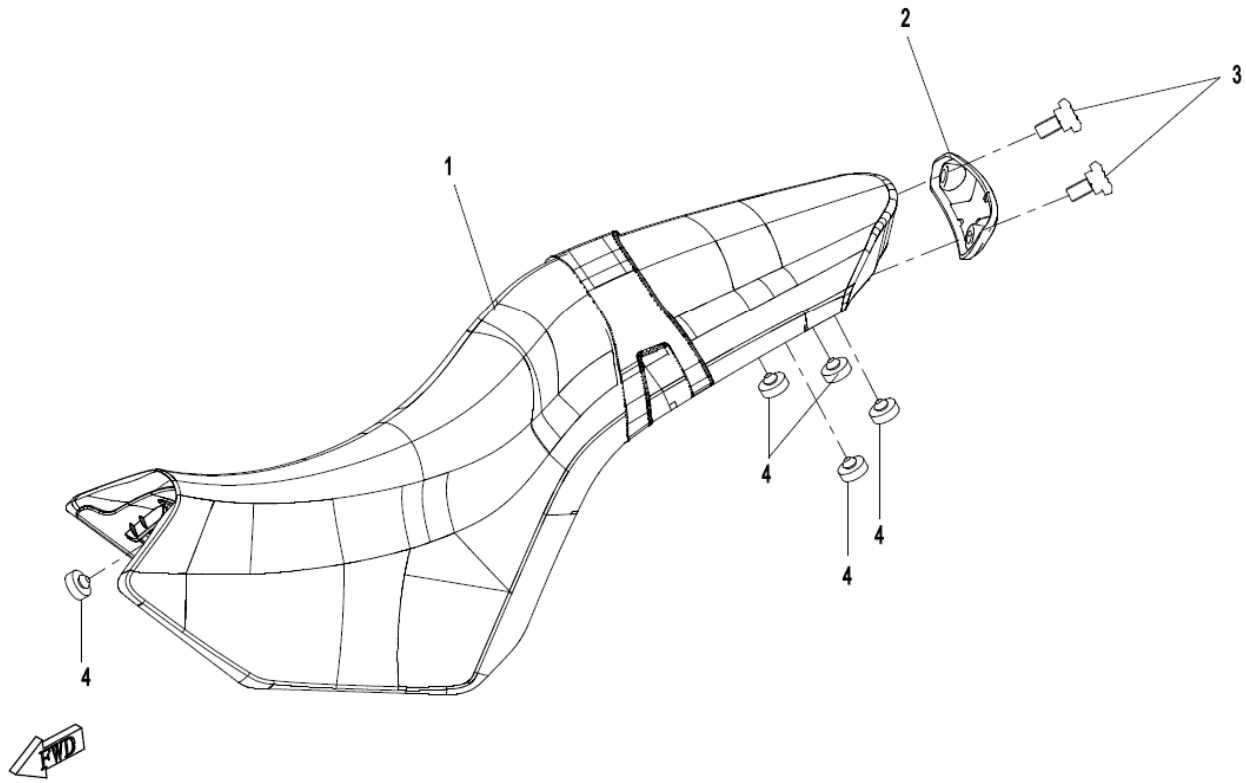
Item No.	Parts Number	Parts Name(EN)	Parts Name(CN)	Qty	Remark(s)	Alternative Parts
01	30006-060025810	BOLT M6x25	螺栓	4		
02	6KM0-120010	T-TYPE BUSHING ASSY	T型衬套组合	4		
03	5020-031001	RUBBER SLEEVE, FRONT LICENSE BRACKET	前牌照支架橡胶胶套	4		
04	6GU#-120001-6000	O-RING, FUEL TANK	油箱口O型圈	1		
05	6GUV-121000-6002-0BR00	FUEL TANK ASSY	油箱焊接组合	1		
05	6GUV-121000-6002-0ET00	FUEL TANK ASSY	油箱焊接组合	1		
06	6GU#-120002-6000	HEAT INSULATOR, FUEL TANK	油箱隔热纸	1		
07	6NQ0-120001	FUEL PIPE, FUEL TANK	油箱漏油管	1		
08	30601-111010	CLAMP A11	环箍A11	1		
09	6KJ0-150900-10000	FUEL PUMP	油泵总成	1		6KJV-150900-8001
10	30006-050020810	BOLT M5x20	螺栓	5		
11	6KJ0-120330-10000	QUICK JOINT	快速接头	1		
12	6070-120400	CLAMP Dia 14.5A	无级环箍 (Φ14.5)	4		
13	6GU#-120020-6000	HIGH-PRESSURE FUEL HOSE ASSY 2	高压油管组合II	1		
14	6090-120221	RUBBER SLEEVE, FUEL FILTER, EFI	电喷燃油滤清器橡胶套	1		6090-120220
15	805A-120004	FUEL FILTER, EFI	电喷燃油滤清器	1		
16	6GU#-120010-6000	HIGH-PRESSURE FUEL HOSE ASSY 1	高压油管组合I	1		
17	6090-120210	QUICK JOINT	快速接头	1		
18	6GUV-170200-6001	FUEL LEVEL SENSOR	油位传感器	1		
19	30202-060110	NUT M6	螺母	4		30204-060810
20	6KM#-040081-8000-M1	NUT CLIP M5	M5螺母夹	2		
21	6GU#-120003-6000	LH GLUE FILM, FUEL TANK	油箱尾部左胶贴	1		
22	6GU#-120004-6000	RH GLUE FILM, FUEL TANK	油箱尾部右胶贴	1		
23	6GUV-1200A0-6000	HIGH-PRESSURE FUEL HOSE ASSY	高压油管组合	1		



F13-A 座垫(深海蓝) SEAT(TWILIGHT BLUE)

Item No.	Parts Number	Parts Name(EN)	Parts Name(CN)	Qty	Remark(s)	Alternative Parts
01	6GU#-130100-6001-10	SEAT ASSY	座垫总成	1		
02	6GUV-040025-6001-0VP00	REAR DECO STRAP, SEAT	坐垫后装饰条	1		
02	6GUV-040025-6001-0VL00	REAR DECO STRAP, SEAT	坐垫后装饰条	1		
03	6L30-050020	SCREW KIT M5x12	组合台阶螺钉	2		
04	6KM0-130205	RUBBER	缓冲橡胶垫	5		

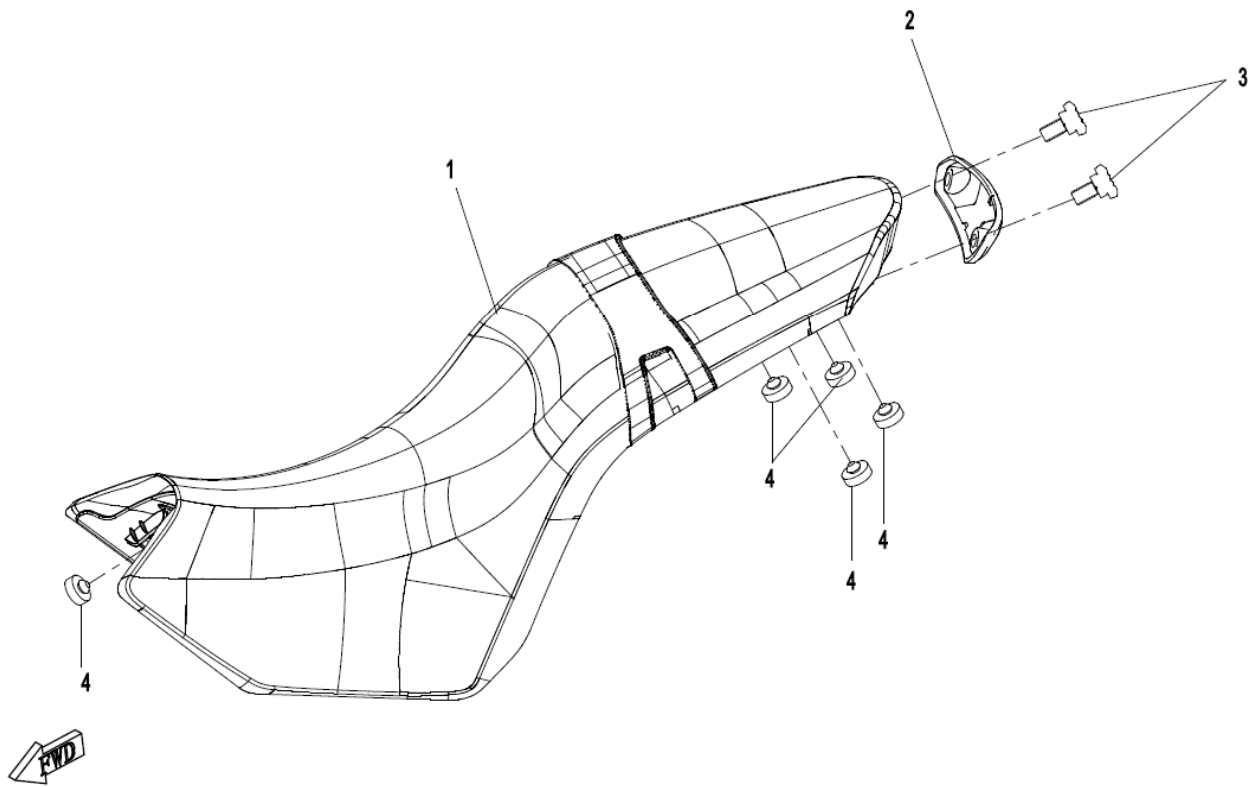
F13座垫总成/SEAT ASSY



F13-B 座垫(银河灰) SEAT (COAL GREY)

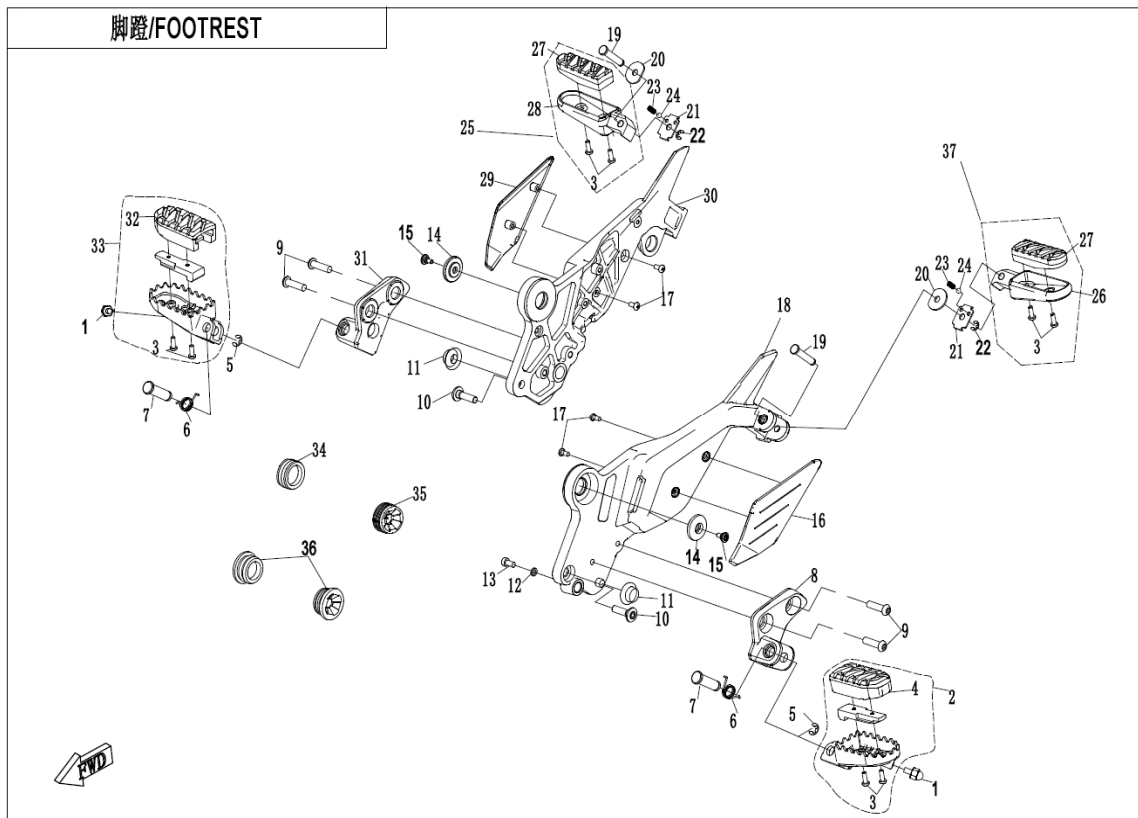
Item No.	Parts Number	Parts Name(EN)	Parts Name(CN)	Qty	Remark(s)	Alternative Parts
01	6GU#-130100-6001	SEAT ASSY	座垫总成	1		
02	6GUV-040025-6001-0VP00	REAR DECO STRAP, SEAT	坐垫后装饰条	1		
02	6GUV-040025-6001-0VL00	REAR DECO STRAP, SEAT	坐垫后装饰条	1		
03	6L30-050020	SCREW KIT M5x12	组合台阶螺钉	2		
04	6KM0-130205	RUBBER	缓冲橡胶垫	5		

F13座垫总成/SEAT ASSY



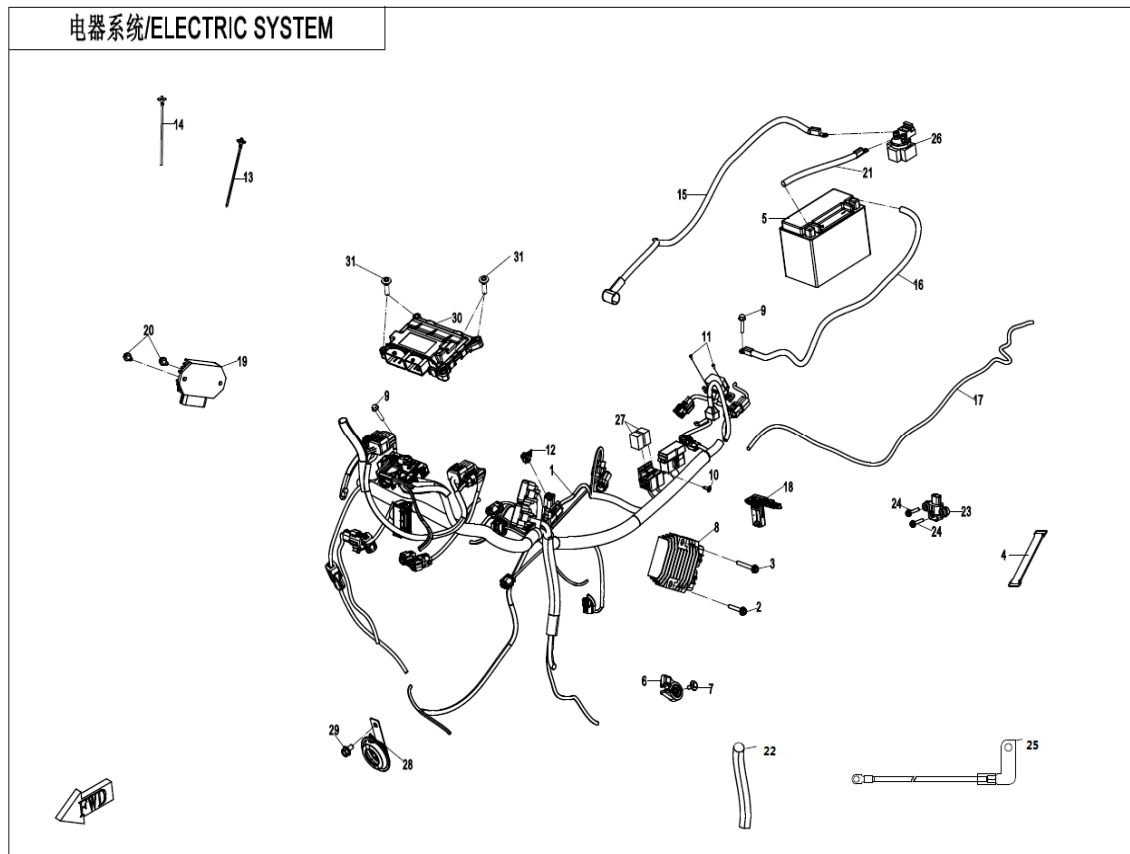
F14 脚蹬 FOOTREST

Item No.	Parts Number	Parts Name(EN)	Parts Name(CN)	Qty	Remark(s)	Alternative Parts
01	6GU#-140202-6000	LIMIT BOLT	限位螺钉	2		
02	6GU#-140220-6001	BRACKET, LH FOOTREST	左前脚踏座组件	1		
03	30105-050014470	SCREW	螺钉	8		
04	6GU#-140205-6000	LH FRONT FOOTREST RUBBER	左前脚踏胶皮	1		
05	30802-00905	CIRCLIP 9	开口挡圈9	2		30802-00903
06	A000-140103-20000	SPRING	扭簧	2		
07	A000-140141	PIN SHAFT Dia 12	销轴φ12	2		
08	6GU#-140600-6001	LH FRONT FOOTREST BRACKET	左前脚踏支架组件	1		
09	30121-080030170	SCREW M8x30	螺钉	4		
10	6GU#-140201-6000	BOLT M8x25	凸台螺栓M8x25	2		
11	6GU#-140092-6000	LIMIT RUBBER, FOOTREST BOARD	脚踏限位胶	2		
12	30303-060112	WASHER 6	垫圈	1		
13	30102-060012810	SCREW	螺钉	1		
14	6GU#-140005-6002	DECO LOCK, REAR FOOTREST	后脚踏装饰扣	2		
15	6KM#-040082-8000	SCREW KIT M5	M5组合台阶螺钉	2		
16	6GU#-140060-6000	DECO PLATE, LH FOOTREST BOARD BRACKET	左脚踏支架装饰板	1		
17	30105-050010410	SCREW M5x10	螺钉	4		
18	6GU#-140810-6000	BRACKET, LH FOOTREST BOARD	左脚踏支架组件	1		
19	A000-140142	PIN SHAFT Dia 8	销轴φ8	2		
20	A000-140106	LOCATING GASKET 2	定位垫片II	2		
21	A000-140104	LOCATING GASKET 1	定位垫片I	2		
22	30802-00605	CIRCLIP 6	开口挡圈	2		
23	5190-037813	SPRING	弹簧	2		
24	5190-037814	STEEL BALL	钢珠	2		
25	6GU#-1400B0-6000-0BP00	RUBBER, RH REAR FOOTREST BOARD	右后脚踏组件_莫德灵黑	1		
26	6GU#-140041-6000-0BP00	LH REAR FOOTREST BOARD	左后脚踏座	1		
27	6GU#-140080-6000	RUBBER, REAR FOOTREST BOARD	后脚踏胶皮组件	2		
28	6GU#-140051-6000-0BP00	RH REAR FOOTREST BOARD	右后脚踏座	1		
29	6GU#-140070-6000	DECO PLATE, RH FOOTREST BOARD BRACKET	右脚踏支架装饰板	1		
30	6GU#-140010-6001	BRACKET, RH FOOTREST	右脚踏支架组件	1		
31	6GU#-140700-6001	RH FRONT FOOTREST BRACKET	右前脚踏支架组件	1		
32	6GU#-140206-6000	RH FRONT FOOTREST RUBBER	右前脚踏胶皮	1		
33	6GU#-140230-6001	RH FRONT FOOTREST SEAT	右前脚踏座组件	1		
34	6GU#-140096-6000	RH DECO CLASP, FRAME	车架右装饰扣	1		
35	6GU#-140095-6000	LH DECO CLASP, FRAME	车架左装饰扣	1		
36	6GU#-140097-6000	FRONT DECO CLASP, FRAME	车架前装饰扣	2		
37	6GU#-1400A0-6000-0BP00	RUBBER, LH REAR FOOTREST BOARD	左后脚踏组件_莫德灵黑	1		



F15 电器系统 ELECTRIC SYSTEM

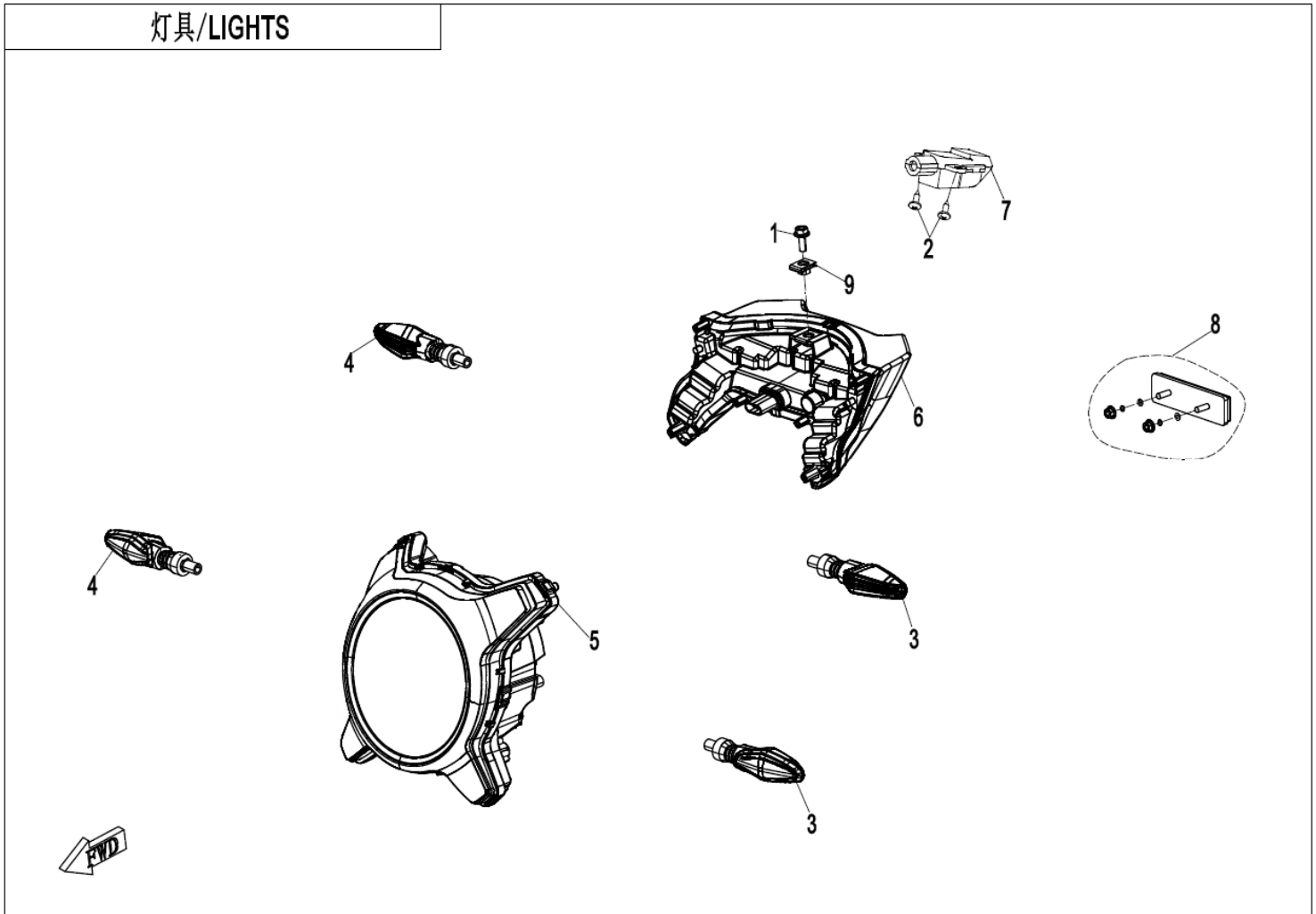
Item No.	Parts Number	Parts Name(EN)	Parts Name(CN)	Qty	Remark(s)	Alternative Parts
01	6GUV-150100-6103	MAIN CABLE	主电缆	1		
02	30006-060035810	BOLT M6x35	螺栓	1		
03	30006-060045810	BOLT M6x45	螺栓	1		
04	1080-150700	TIE BAND, BATTERY	蓄电池拉带	1		
05	31021100	BATTERY	蓄电池	1		
06	6070-151200-1000	SWITCH, SIDE STAND	边撑开关	1		
07	8010-090005	BOLT M6x16	螺栓M6x16	1		
08	01AA-177000	REGULATOR 330W	整流调压器	1		
09	30006-060012870	BOLT M6x12	螺栓	2		
10	30118-420095010	SELF-TAPPING SCREW ST4.2x9.5	自攻螺钉	1		
11	30118-420130010	SELF-TAPPING SCREW ST4.2x13	自攻螺钉	2		
12	6GU#-150001-6000-M1	CLASP	卡扣	3		
13	7030-150005	TIE BAND	扎带	4		
14	801F-100101	TIE BAND	扎带	6		
15	6GU#-150200-6000	POSITIVE CABLE, STARTER MOTOR	起动马达正极线	1		
16	6GU#-150300-6000	NEGATIVE CABLE, STARTER MOTOR	起动马达负极线	1		
17	6GU#-150400-6001	AUXILIARY CABLE, LICENSE LIGHT	牌照灯副电缆	1		
18	6GU#-150500-6001	USB POWER OUTLET SOCKET	USB电源输出座	1		
19	6GU#-150600-6100	VEHICLE CONTROL UNIT	车身控制模块	1		
20	30006-060016870	BOLT M6x16	螺栓	2		
21	6GU#-150700-6000	POSITIVE CABLE, STARTER RELAY	起动继电器正极线	1		
22	6GU#-156000-6000	WIRE PROTECTOR	线束护套	1		
23	6KJ0-150600	SENSOR, ROLL-OVER	侧倾传感器	1		
24	30006-050020810	BOLT M5x20	螺栓	2		
25	6GU#-150430-6000	EARTH WIRE, ENGINE	发动机搭铁线	1		
26	9010-150310-10001	STARTER RELAY	起动继电器	1		
27	A000-150800	AUXILIARY RELAY	辅助继电器	2		
28	KNL0-150600	HORN	喇叭	1		
29	30006-080016870	BOLT	螺栓	1		
30	6GUV-001000-6100	ECU ASSY	ECU总成	1		
31	6GU#-000201-6000	INNER HEX SCREW M6x25	内六角螺钉M6x25	4		



F16 灯具 LIGHTS

Item No.	Parts Number	Parts Name(EN)	Parts Name(CN)	Qty	Remark(s)	Alternative Parts
01	30006-060025870	BOLT M6x25	螺栓	1		
02	30110-350095010	SELF-TAPPING SCREW ST3.5x9.5	自攻螺钉	2		
03	6GU#-160410-6002	LH FRONT TURN LIGHT	左前转向灯	2		
04	6GU#-160420-6002	RH FRONT TURN LIGHT	右前转向灯	2		
05	6GU#-161100-6001	HEADLIGHT	前照灯	1		
06	6GU#-162100-6001	TAIL LIGHT ASSY	尾灯组合	1		
07	6KJC-160300-8000	LICENSE LIGHT	牌照灯	1		
07	6KJC-160300-8000	LICENSE LIGHT	牌照灯	1		
08	6KM0-160230	REAR REFLECTOR	后反射器	1		
09	8030-040800-00001	NUT CLIP M6	M6螺母夹	1		

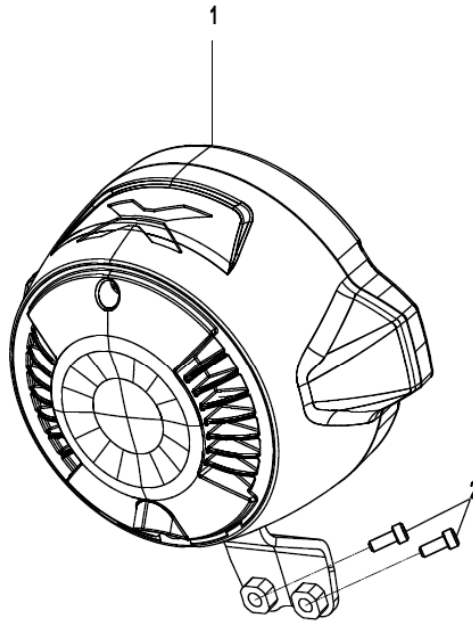
灯具/LIGHTS



F17 仪表 DASHBOARD

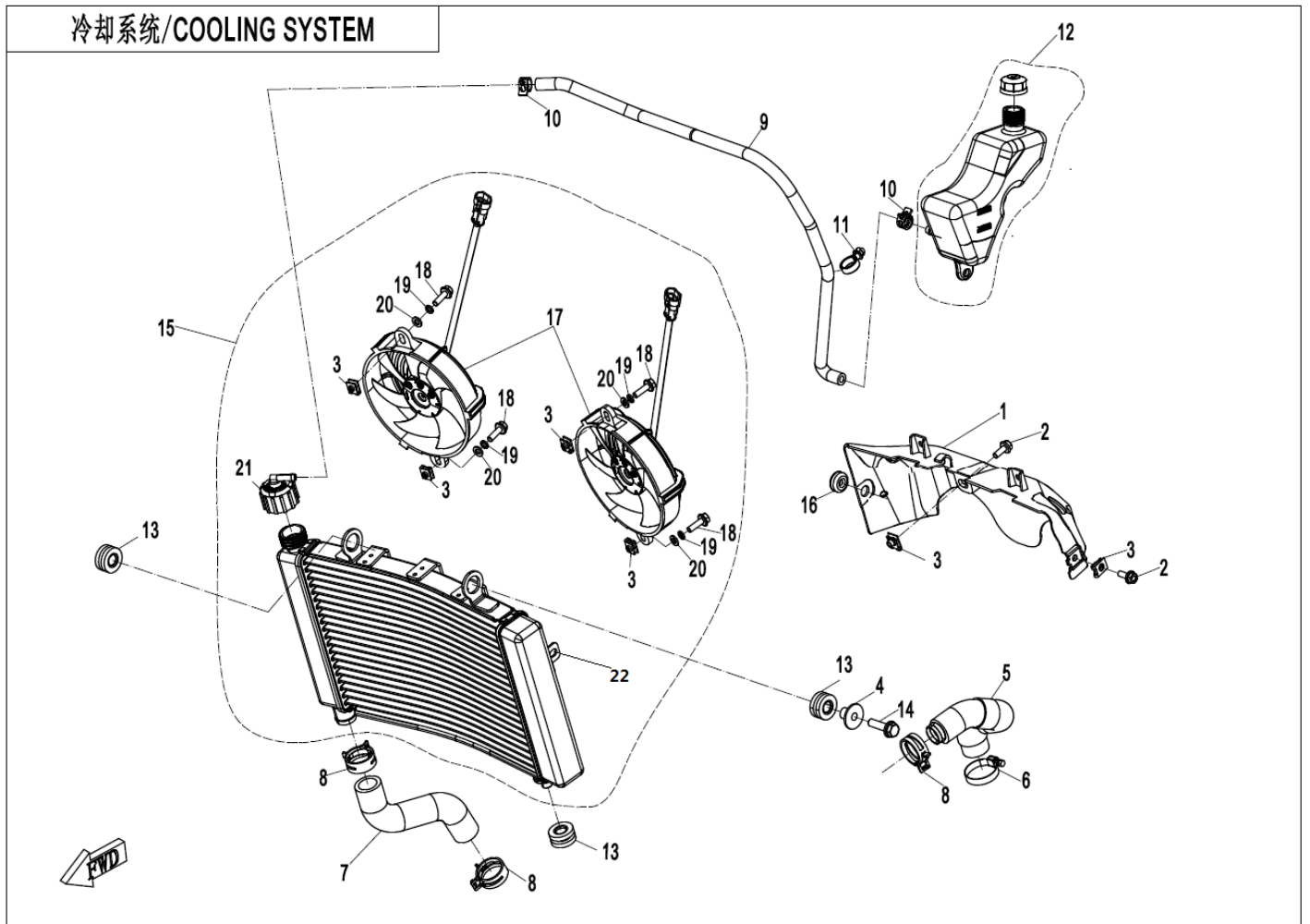
Item No.	Parts Number	Parts Name(EN)	Parts Name(CN)	Qty	Remark(s)	Alternative Parts
01	6GU#-170100-6001	LCD DASHBOARD	液晶仪表	1		
02	30102-060012810	SCREW	螺钉	2		

F17 仪表总成/DASHBOARD ASSY



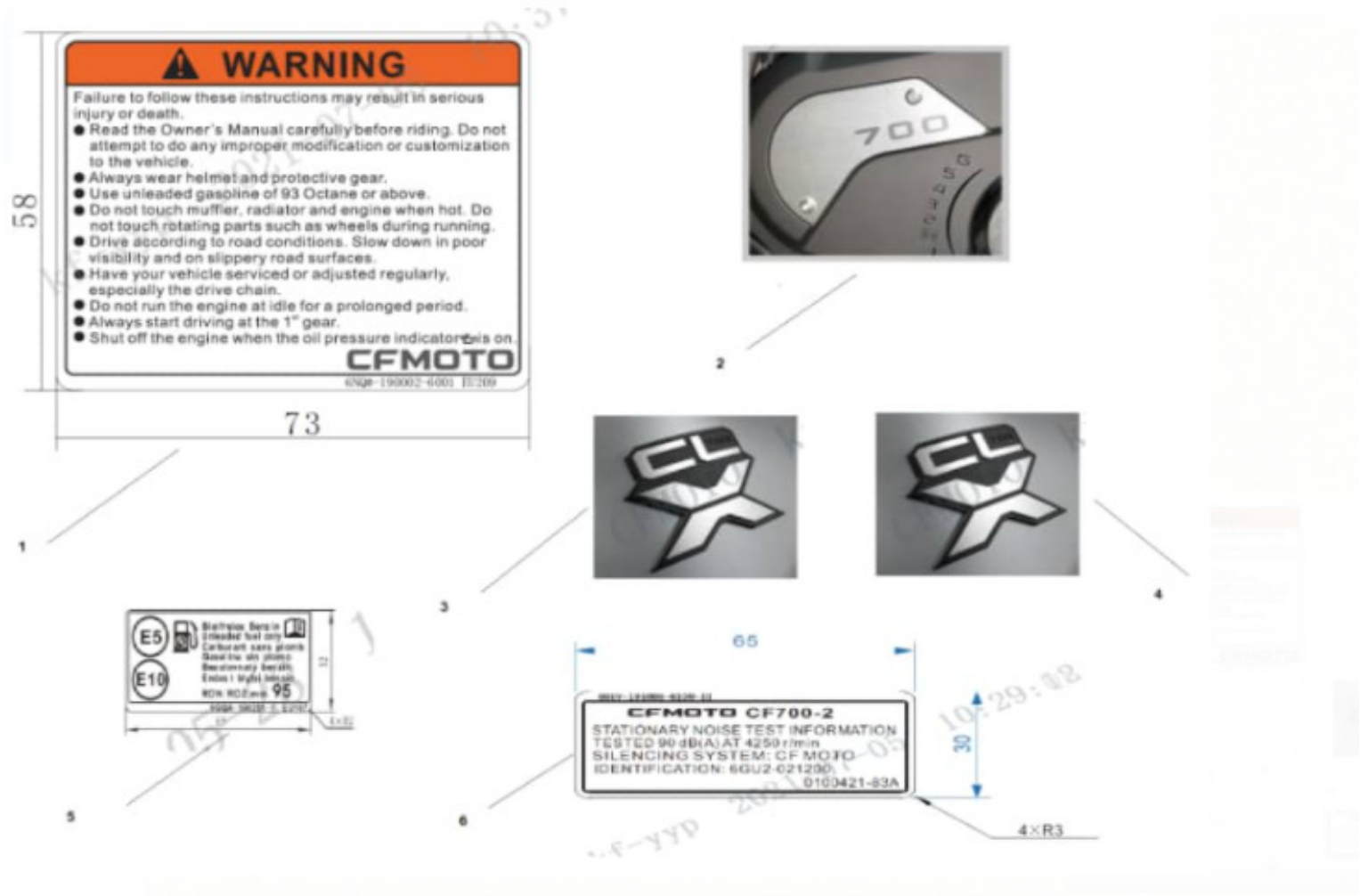
F18 冷却系统 COOLING SYSTEM

Item No.	Parts Number	Parts Name(EN)	Parts Name(CN)	Qty	Remark(s)	Alternative Parts
01	6GU#-040044-6001	DEFLECTOR, FAN	风扇导流罩	1		
02	30006-060016870	BOLT M6x16	螺栓	2		
03	8030-040800-00001	NUT CLIP M6	M6螺母夹	6		
04	A000-180010-20000	COLLAR, RADIATOR	散热器减震胶垫Ⅱ衬套	1		
05	6GU#-180001-6000	WATER INLET PIPE, RADIATOR	散热器进水管	1		
06	9010-180007	CLAMP, WATER HOSE	水管卡箍组件	1		
07	A000-180002-20000	WATER OUTLET PIPE, RADIATOR	散热器出水管	1		
08	A000-180006	CLAMP B30	环箍B30	3		
09	6GU#-180003-6000	CONNECTING PIPE, RESERVOIR	副水箱连接管	1		
10	30601-212570	CLAMP	环箍	2		
11	A000-050015	WIRE CLIP, FRONT BRAKE FLUID HOSE	前制动油管夹	1		
12	6GUV-180010-6001	RESERVOIR TANK ASSY	副水箱组合	1		
13	A000-180005	DAMPER2, RADIATOR	散热器减震胶垫Ⅱ	3		
14	30006-080030870	BOLT M8x30	螺栓	1		
15	6GUV-181000-6001	RADIATOR	散热器	1		
16	A000-040302	RUBBER DAMPER	油箱外护罩缓冲橡胶	1		
17	6NTA-181300	FAN MOTOR ASSY	风扇电机组合二	2		
18	30006-060020870	BOLT M6x20	螺栓	4		
19	30303-060112	WASHER 6	垫圈	4		
20	30306-060112	WASHER 6	垫圈	4		30306-060142
21	6GUV-181010-6001	FILLER CAP ASSY	加水口盖组合	1		
22	6GU#-181100-6000	RADIATOR ASSY	散热器组件	1		
23	6KM#-180210-8000	RESERVOIR TANK CAP ASSY	副水箱盖组合	1		



F19-1 警告贴花 WARNING DECAL KITS

Item No.	Parts Number	Parts Name(EN)	Parts Name(CN)	Qty	Remark(s)	Alternative Parts
01	6NQ#-190002-6001	INSTRUCTION LABEL, SAFETY WARNING	安全警告说明标贴	1		
02	6GU#-190001-6000	LABEL, SPROCKET GUARD	链轮罩标牌	1		
03	6GU#-190002-6000	LH LABEL, FUEL TANK	油箱左标牌	1		
04	6GU#-190003-6000	RH LABEL, FUEL TANK	油箱右标牌	1		
05	9GQA-190201-10000	WARNING LABEL, FUEL FILLING PORT	加油口警告标贴	1		



F19-2-A-V2 贴花(深海蓝) DECAL(TWILIGHT BLUE)

Item No.	Parts Number	Parts Name(EN)	Parts Name(CN)	Qty	Remark(s)	Alternative Parts
01	6GU#-190100-6003-11	DECAL ASSY	个性贴花总成	1		
02	6GU#-190101-6003-11	RH DECO PLATE DECAL, FUEL TANK	油箱右装饰板贴花	1		
03	6GU#-190102-6003-11	LH DECO PLATE DECAL, FUEL TANK	油箱左装饰板贴花	1		
04	6GU#-190103-6003-11	REAR RH DECO PLATE DECAL	后右装饰板贴花	1		
05	6GU#-190104-6003-11	REAR LH DECO PLATE DECAL	后左装饰板贴花	1		
06	6GU#-190106-6001-10	MODEL DECAL	型号贴花	2		

CF700-2 贴花 深海蓝配色

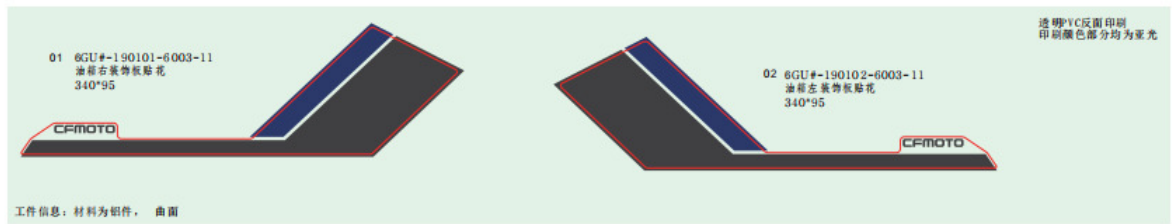
— 刀模线 — 整模线

■ 深海蓝

■ 平光黑银

备注：深海蓝、平光黑银请按颜色板调

6GU#-190100-6003-11 个性贴花总成



3M 2008透明材料 亚光光油



03 6GU#-190103-6003-11
后右装饰板贴花
110*26



04 6GU#-190104-6003-11
后左装饰板贴花
110*26

工件信息：材料为ABS，烤漆， 曲面

■ Pantone Silver C+银粉
哑光光油

采用透明PVC材料

05 6GU#-190106-6001-10
型号贴花*2
53*8

工件信息：材料PA+GF20，皮纹， 平面

F19-2-B-V2 贴花(银河灰) DECAL(COAL GREY)

Item No.	Parts Number	Parts Name(EN)	Parts Name(CN)	Qty	Remark(s)	Alternative Parts
01	6GU#-190100-6003-10	DECAL ASSY	个性贴花总成	1		
02	6GU#-190101-6003-10	RH DECO PLATE DECAL, FUEL TANK	油箱右装饰板贴花	1		
03	6GU#-190102-6003-10	LH DECO PLATE DECAL, FUEL TANK	油箱左装饰板贴花	1		
04	6GU#-190103-6003-10	REAR RH DECO PLATE DECAL	后右装饰板贴花	1		
05	6GU#-190104-6003-10	REAR LH DECO PLATE DECAL	后左装饰板贴花	1		
06	6GU#-190106-6001-10	MODEL DECAL	型号贴花	2		

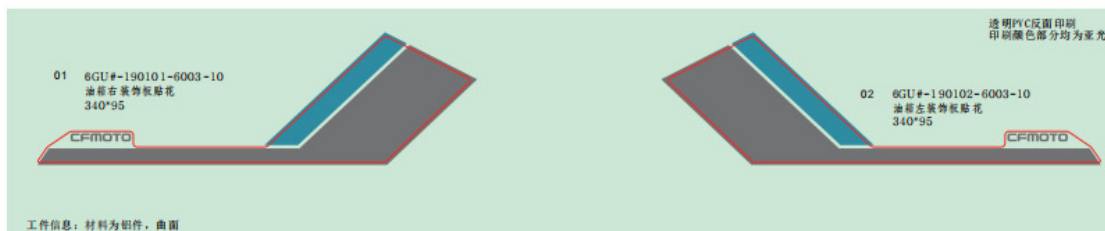
CF700-2 贴花 银河灰版配色

刀模线 整模线

6GU#-190100-6003-10 个性贴花总成

PANTONE 2229C

银河灰



3M 2008透明材料 亚光光油



03 6GU#-190103-6003-10
后右装饰板贴花
110*26



04 6GU#-190104-6003-10
后左装饰板贴花
110*26

工件信息: 材料为ABS, 烤漆, 曲面

Pantone Silver C+银粉
哑光光油

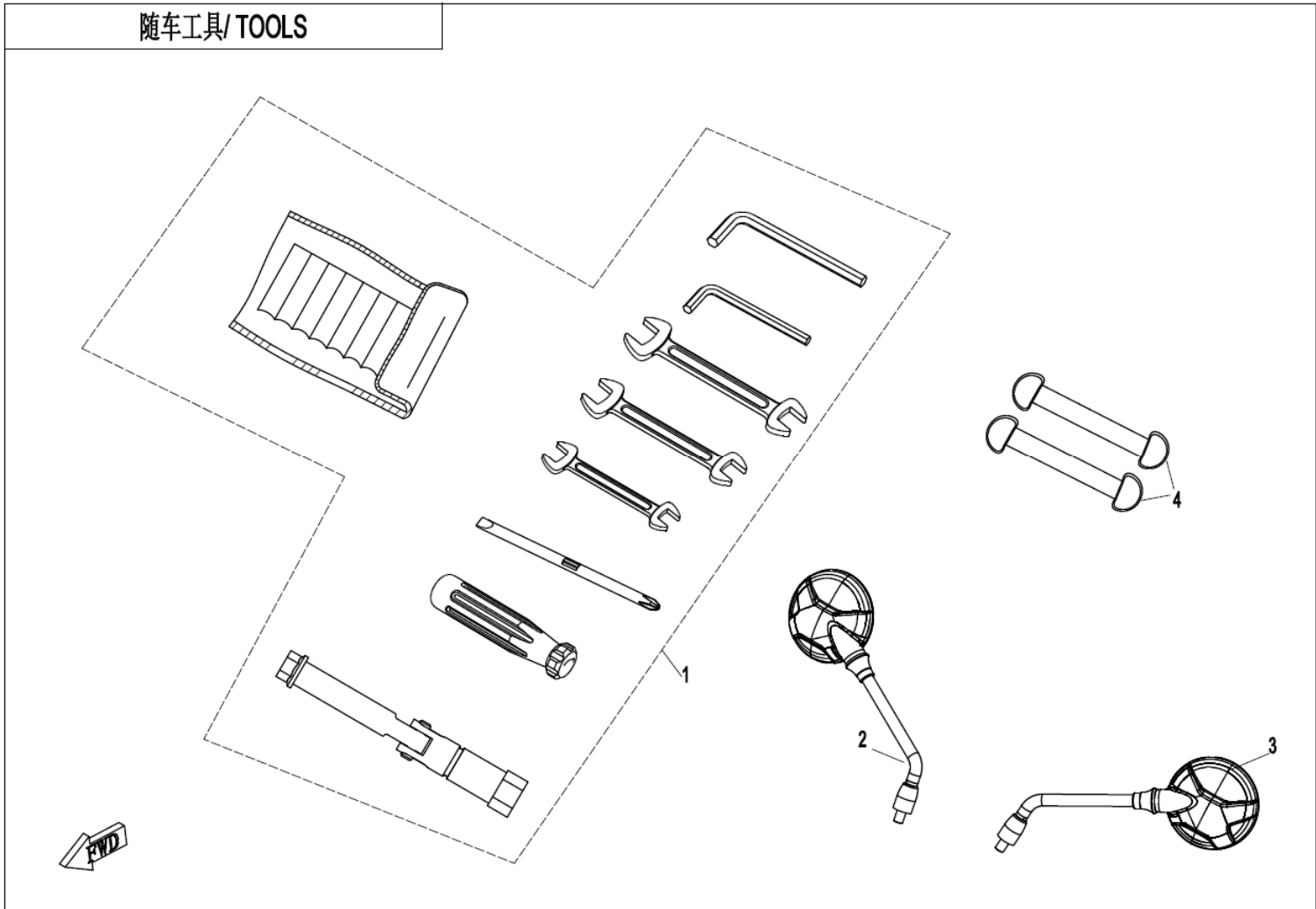
采用透明PVC材料

05 6GU#-190106-6001-10
型号贴花*2
53*8

工件信息: 材料PA+GF20, 皮纹, 曲面

F20 随车工具 TOOLS

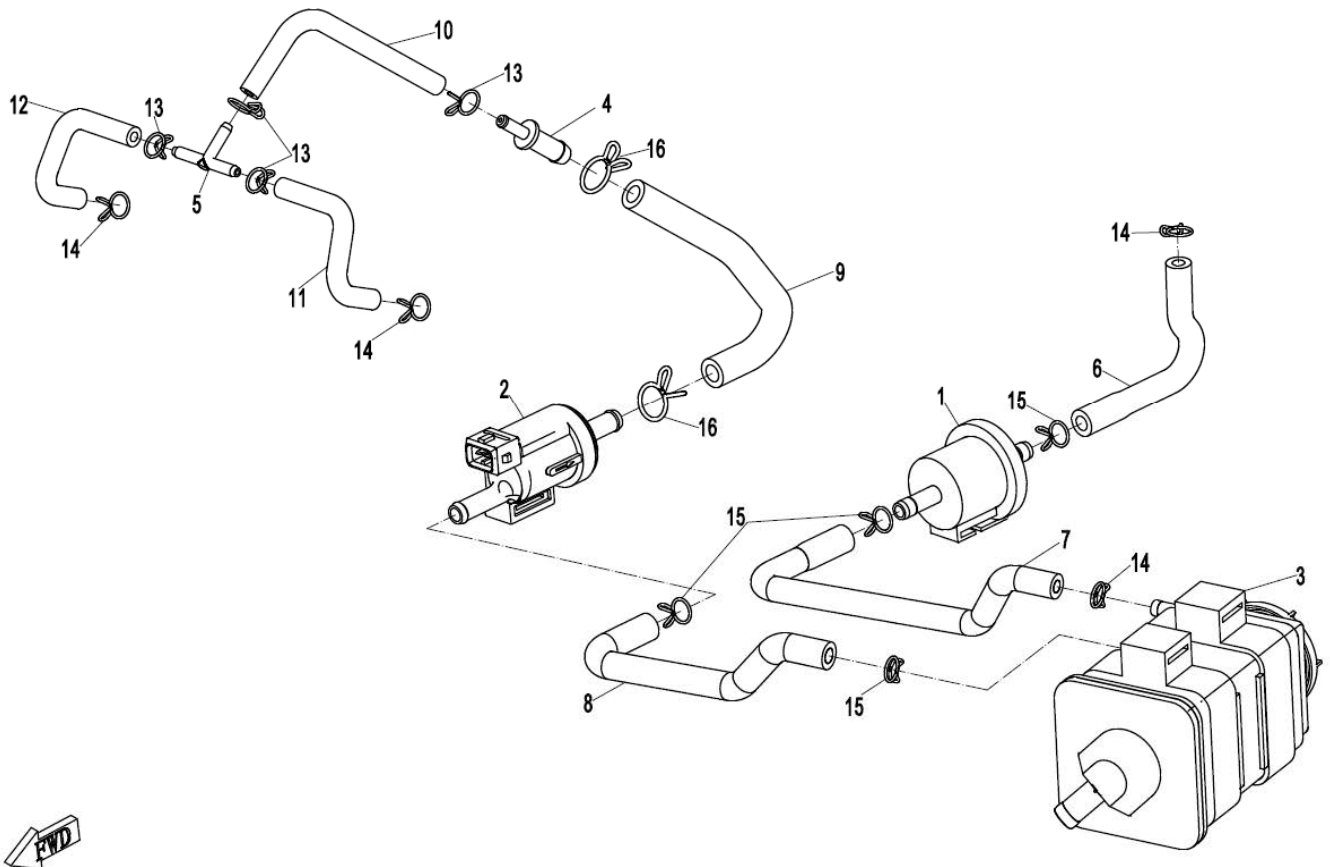
Item No.	Parts Number	Parts Name(EN)	Parts Name(CN)	Qty	Remark(s)	Alternative Parts
01	6NQ0-200100-10000	TOOLS	随车工具	1		
02	6GU#-200400-6000	RH REAR VIEW MIRROR ASSY	右后视镜总成	1		
03	6GU#-200300-6000	LH REAR VIEW MIRROR ASSY	左后视镜总成	1		
04	8010-000012	TIE BAND ASSY	弹性扣带组件	2		



F36 燃油蒸发系统 FUEL VAPORIZATION SYSTEM

Item No.	Parts Number	Parts Name(EN)	Parts Name(CN)	Qty	Remark(s)	Alternative Parts
01	9GQ0-360100	TWO-WAY VALVE	双向阀	1		
02	1F30-172000	CANISTER MAGNETIC VALVE	碳罐电磁阀	1		
03	6L30-360200	CANISTER	碳罐	1		
04	8010-180018	JOINT, HEAT TRANSMIT PIPE	传热水管接头	1		
05	8010-360001	VACUUM T-JOINT	负压三通接头	1		
06	6GU#-360001-6001	FUEL ADSORPTION HOSE	燃油吸附管	1		
07	6GU#-360002-6000	FUEL VAPOR HOSE 1	燃油蒸发管I	1		
08	6GUV-360003-6001	FUEL VAPOR HOSE 2	燃油蒸发管II	1		
09	6GU#-360004-6000	FUEL VAPOR HOSE 3	燃油蒸发管III	1		
10	6GU#-360005-6000	FUEL VAPOR HOSE 4	燃油蒸发管IV	1		
11	6GU#-360007-6000	LH FUEL DESORPTION PIPE	左燃油脱附管	1		
12	6GU#-360008-6000	RH FUEL DESORPTION PIPE	右燃油脱附管	1		
13	30601-108010	CLAMP A8	环箍A8	4		
14	30601-110010	CLAMP A10	环箍	4		
15	30601-111010	CLAMP A11	环箍A11	4		
16	30601-112010	CLAMP A12	环箍	2		

燃油蒸发系统/FUEL EVAPORATION SYSTEM



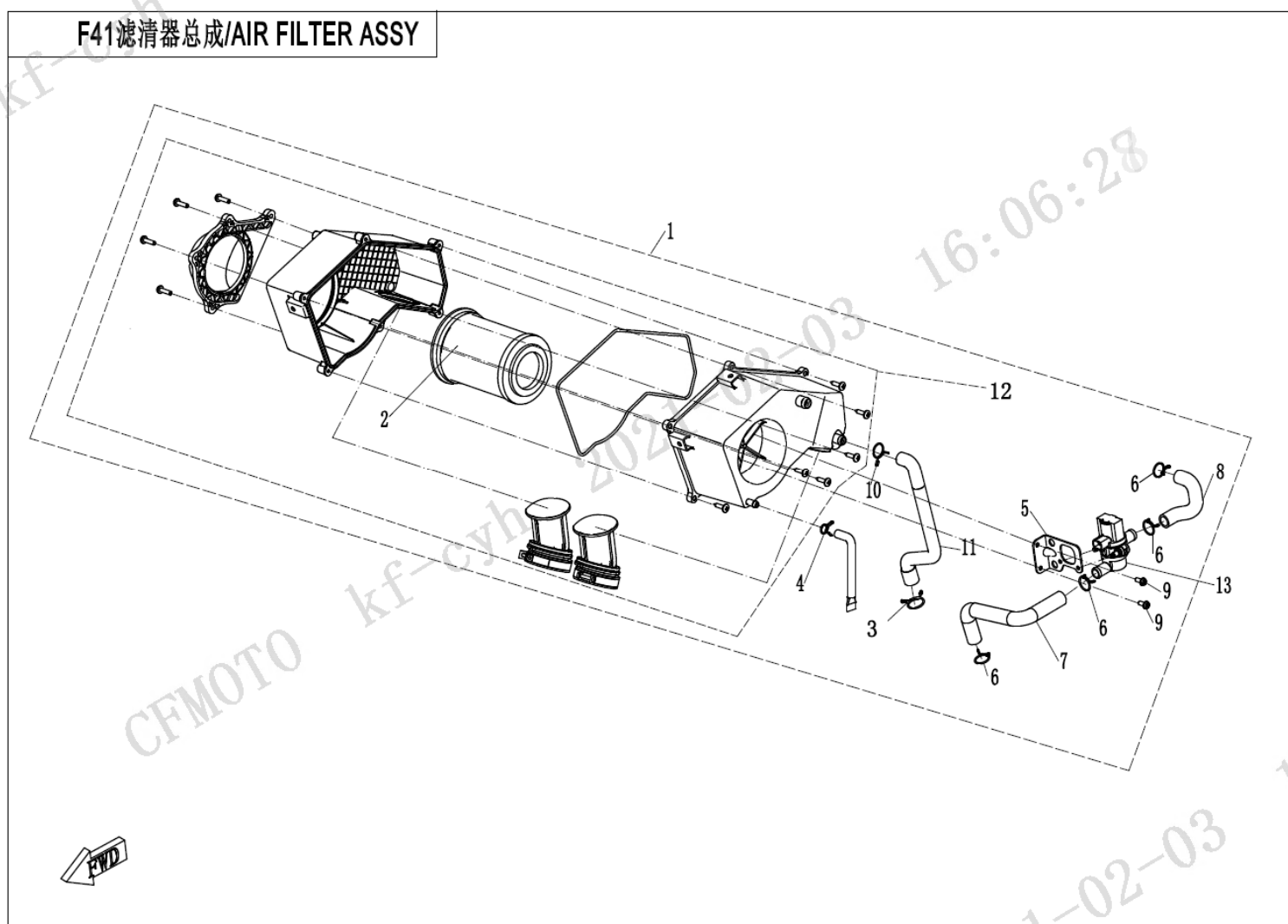
F38 说明书(欧五) OWNER'S MANUAL (EU 5)

Item No.	Parts Number	Parts Name(EN)	Parts Name(CN)	Qty	Remark(s)	Alternative Parts
01	6GUV-380102-6101	OWNERS MANUAL	使用说明书	1		



F41 空滤器 AIR FILTER

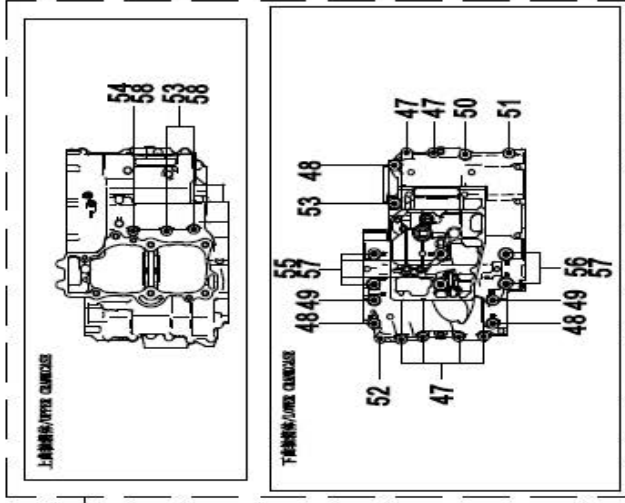
Item No.	Parts Number	Parts Name(EN)	Parts Name(CN)	Qty	Remark(s)	Alternative Parts
01	0HU0-110000	AIR FILTER ASSY.	空滤器总成	1		
02	0HU0-111100	FILTER ELEMENT	滤芯组件	1		
03	30601-120030	CLAMP A20	环箍A20	1		30601-118010
04	30601-110010	CLAMP A10	环箍	1		
05	0HU0-110010	BRACKET, SECONDARY GULP VALVE	二次补气阀支架组合	1		
06	30601-117020	CLAMP A17	环箍A17_QC/T621_A17	4		30601-117010
07	0HU0-110002-10000	AIR OUTLET PIPE, GULP VALVE	补气阀出气管	1		
08	0HU0-110001-10000	AIR INLET PIPE, GULP VALVE	补气阀进气管	1		
09	30112-050012410	SCREW ASSY M5x12	螺钉组合件	2		
10	30601-118021	CLAMP A18	环箍A18	1		
11	0HU0-111006-10000	AIR OUTLET PIPE, CRANKCASE	曲轴箱出气管	1		
12	0HU0-111000-10000	AIR FILTER ASSY	空气滤清器组合	1		0HU0-111000-20000
13	0HU0-179000	GULP VLAVE	二次补气阀	1		



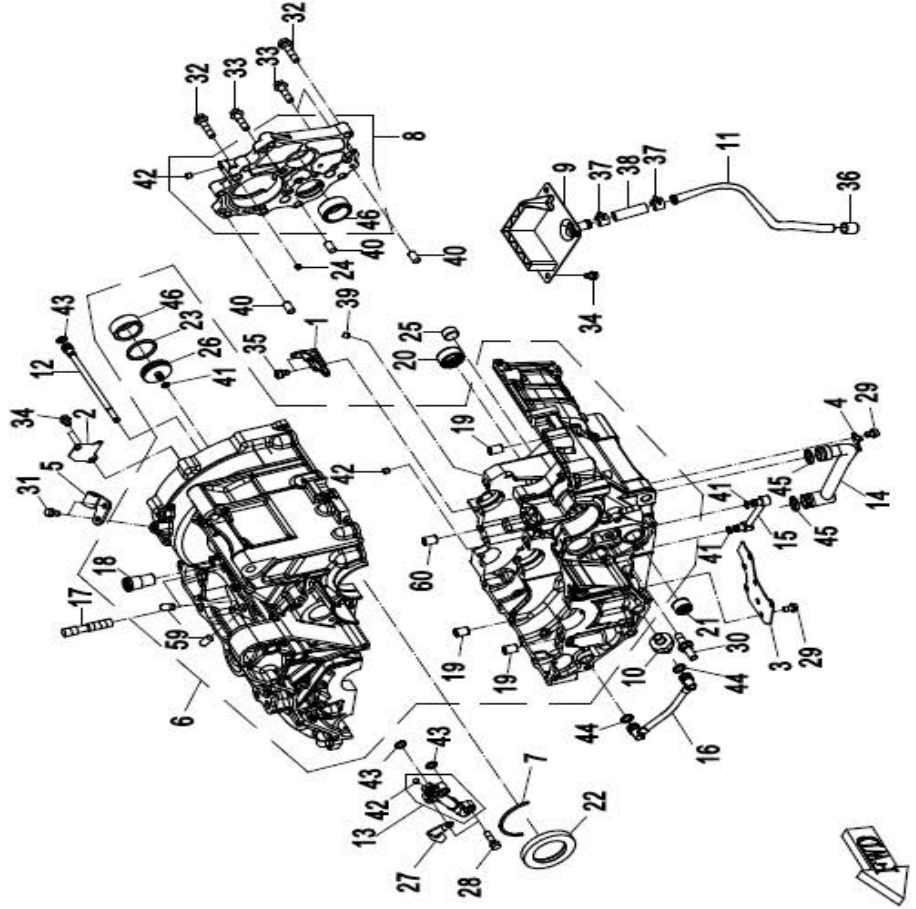
E01-1 上&下曲轴箱分总成 UPPER & LOWER CRANKCASE

Item No.	Parts Number	Parts Name(EN)	Parts Name(CN)	Qty	Remark(s)	Alternative Parts
01	0HU0-012300	PLATE,OIL SHIELDING	油室分隔板组件	1		
02	0700-011104	GUARD, BREATHER	呼吸器挡板	1		
03	0700-012006	PLATE, LOWER CRANKCASE	下箱体盖板	1		
04	0700-070001	PLATE, OIL PIPE1	过油管 I 压板	1		
06	0HU0-0100A0-0BP00	CRANKCASE ASSY	曲轴箱合件_莫德灵黑	1		
07	0700-010001	RING 62, BEARING	轴承止动环62	1		
08	0HU0-0660A0	GEARSHIFT COVER	变档室盖合件	1		
09	0700-011410	BREATHER ASSY	呼吸器焊接合件	1		
10	0700-012500	SWITCH, OIL PRESSURE	机油低压报警开关	1		
11	0700-011402-1000	OIL RETURN HOSE	回油管	1		
12	0700-011310	OIL PIPE 5	过油管V合件	1		
13	0700-011201-10000	OIL PIPE 4	过油管IV	1		
13	0700-011201-1BP00	OIL PIPE 4	过油管IV	1		
13	0700-011201-1B200	OIL PIPE 4	过油管IV	1		
14	0700-070300	OIL PIPE 1	过油管 I 合件	1		
15	0700-012210	OIL PIPE 3	过油管III合件	1		
16	0700-012710	OIL PIPE 2	过油管II合件	1		
17	0700-011102-00001	STUD M10x57	双头螺栓	1		
18	0700-011103	PIPE BREATHER	呼吸器通气管	1		
19	30410-01000	ROLLER 10x14	圆柱滚子10X14	3		
20	30403-02200	NEEDLE BEARING HK2212	滚针轴承HK2212	1		
21	30403-01300	NEEDLE BEARING HK1312	滚针轴承HK1312	1		
22	0700-010200	OIL SEAL 40x62x8, COUNTERSHAFT	副轴油封	1		
23	0700-011112	O-SEAL RING 29x2.5	O形密封圈	1		
24	0700-066006-00001	OIL LIMIT PLUG	限油螺咀	1		
25	0700-012105-00001	PLUG, MAIN OIL RAIL	主油道锥堵	1		
26	0HU0-011106	PLUG, UPPER CRANKCASE	上箱油堵	1		
27	0180-014010	WIRE CLAMP	线夹组合	1		
28	0010-080013-0010	BOLT M6x22	螺栓	2		
29	0010-080010-0010	BOLT M6x10	螺栓	7		
30	0700-012107-00001	DOWEL PIN, TRANSMISSION SPRING	换挡轴扭簧定位销	1		
31	0010-021019-0010	BOLT M6x12	螺栓	2		
32	0700-066004-00001	BOLT M7x30	螺栓	6		
33	0700-066007-00001	BOLT M7x26	螺栓M7×26	3		
34	0700-011105-00001	BOLT M6x8	螺栓	6		
35	0700-012012-00001	SCREW M6x8	螺钉	2		
36	0700-011403	DAMPER, OIL RETURN HOSE	回油管减震橡胶套	1		
37	30601-211550	STEEL BAND CLAMP B11.5	钢带管箍B11.5	2		
38	0700-011401	CONNECTING PIPE BREATHER	呼吸器连接管	1		
39	0700-012104-00001	SCREW PLUG M6, OIL RAIL	油道螺堵M6	1		
40	0700-022018	SOLID PIN 8x14	实心销	3		
41	0700-012201	O-SEAL RING 5x2	O形密封圈	3		
42	0700-066005	PLUG 6	堵头6	2		
43	0700-011202	O-SEAL RING 8.2x1.90	O型密封圈	3		
44	0700-012701	O-SEAL RING 10x2	O型密封圈10×2	2		
45	0700-070003	O-SEAL RING 14x2.5	O形密封圈	2		
46	0HU0-011107	SHAFT SLEEVE	轴套	2		
47	0700-012007-00001	BOLT M7x40	螺栓	6		
48	0700-012004-00001	BOLT M8x60	螺栓	3		
49	0700-012003-00001	BOLT M8x73	螺栓	2		
50	0700-012011-00001	BOLT M8x50	螺栓	1		
51	0700-012009-00001	BOLT M7x34	螺栓	1		
52	0700-012005-00001	BOLT M7x47	螺栓	1		
53	0700-011001-00001	BOLT M8x110	螺栓	3		
54	0700-011002-00001	BOLT M8x120	螺栓	1		
55	0700-012001	BOLT M9x113	螺栓	4		
56	0700-012008-00001	BOLT M9x83	螺栓	2		
57	0700-012002	WASHER 9.2x19x2.3	垫圈	6		
58	0010-022012	WASHER 8	垫圈8	3		
59	0800-011400	NOZZLE VALVE ASSY	喷嘴阀组件	2		
60	01A0-056004	DOWEL PIN Dia 6x12	定位销φ6×12	1		

E01-1 上和下曲轴箱总成 UPPER & LOWER CRANKCASE



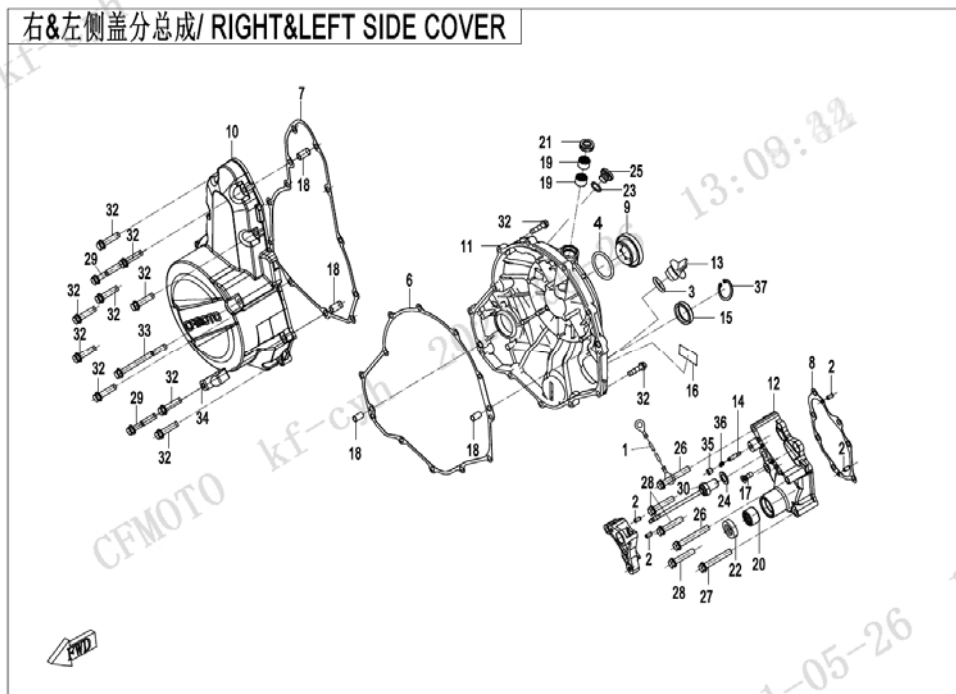
6



E01-2 右&左侧盖分总成 RIGHT&LEFT SIDE COVER

Item No.	Parts Number	Parts Name(EN)	Parts Name(CN)	Qty	Remark(s)	Alternative Parts
01	0700-065205	GROUND CABLE, AUXILIARY	辅助接地线	1		
02	30406-00401	ROLLER NEEDLE P4x7.8	滚针P4x7.8	4		
03	0110-013030	O-SEAL RING 18x3.55	O形密封圈	1		
04	01A0-012003	O-SEAL RING 35x3.5	O形密封圈	1		
05	0700-065301-10000	HOLDER (ONLY FOR THE AMBASSADOR CAR)	支座	1		
06	0700-013002-10000	GASKET, RH SIDE COVER	右侧盖密封垫	1		
07	0700-014002-10000	GASKET, LH SIDE COVER	左侧盖密封垫	1		
08	0700-065202-10000	GASKET, TRANSMISSION COVER	换挡轴盖垫片	1		
09	01A0-012002-0HA00	STRAINER COVER	滤网盖	1		
09	01A0-012002-0B20	COVER, OIL STRAINER (MATTE BLACK)	滤网盖	1		
09	01A0-012002-0BP00	STRAINER COVER	滤网盖	1		
10	0HU0-014001-1BP00	LH SIDE COVER	左侧盖	1		
11	0HU0-013001-1BP00	RH SIDE COVER	右侧盖	1		
11	0HU0-013001-1B200	RH SIDE COVER	右侧盖	1		
12	0700-065201-4BP00	COVER, GEARSHIFT SHAFT	换挡轴盖	1		
13	0700-013008	PLUG, OIL FILLING	加油塞	1		
14	0700-065204	CONTACTOR	球形触头	1		
15	0700-013100-00001	VIEWER, OIL LEVEL	油面观察窗组合	1		
16	0700-013005-30000	LABEL, OIL CAPACITY (SHORT, ENGLISH)	加油说明标签	1		
16	0700-013005-20000	LABEL, OIL CAPACITY (SHORT, CHINESE)	加油说明标签	1		
17	30128-060016830	SCREW M6x16	螺钉	1		
18	0010-080008	DOWEL PIN Dia 8x14	定位销Φ8x14	4		
19	30403-01200	NEEDLE BEARING HK1210	滚针轴承HK1210	2		
20	30403-01300	NEEDLE BEARING HK1312	滚针轴承HK1312	1		
21	0010-080009	OIL SEAL 12x20x5	油封	1		
22	0700-065220	OIL SEAL 13x22x5.5	油封	1		
23	01A0-013005	O-SEAL RING 13x2	O形密封圈	1		
24	0010-060010	WASHER 10	垫圈10	1		
25	0700-013003-10000	HOLE CAP, TIMING INSPECTION	正时观察孔盖	1		
26	0180-013208-0010	BOLT M6x45	螺栓	2		
27	0010-013009-0010	BOLT M6x40	螺栓	1		
28	0010-060012-0010	BOLT M6x30	螺栓	3		
29	0010-013008-0010	BOLT M6x35	螺栓	2		
30	0700-065210	REVERSE SENSOR ASSY	倒档传感器组件	1		
31	0010-023010-0010	BOLT M6x20	螺栓	2		
32	0010-021017-0010	BOLT M6x25	螺栓	23		
33	0020-011018-0010	BOLT M6x70	螺栓	1		
34	0700-014003	CABLE CLIP	线夹	1		
35	0700-066005	PLUG 6	堵头6	1		
36	0700-065203	SPRING	弹簧	1		
37	0HU0-013009	RETAINER	钢丝挡圈	1		

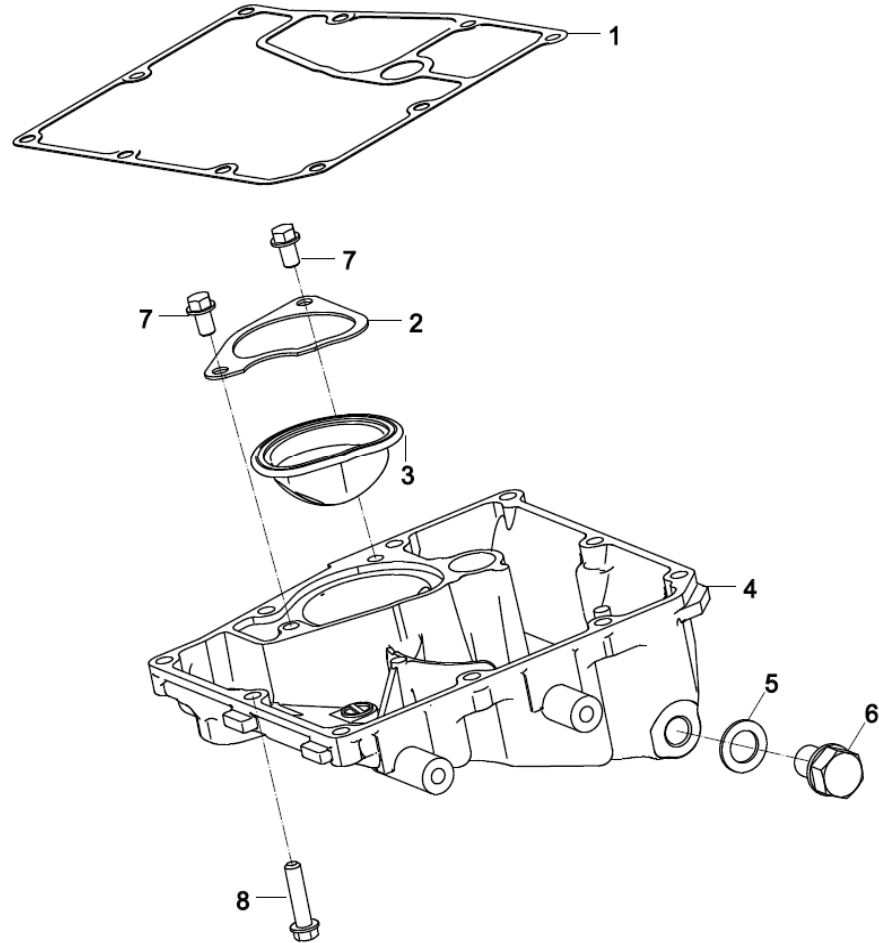
右&左侧盖分总成/ RIGHT&LEFT SIDE COVER



E01-3 油底壳分总成 OIL PAN

Item No.	Parts Number	Parts Name(EN)	Parts Name(CN)	Qty	Remark(s)	Alternative Parts
01	0700-015004-10000	GASKET, OIL PAN	油底壳垫片	1		
02	0700-015003	HOLDER, OIL STRAINER	机油粗滤网压板	1		
03	0700-015002	OIL STRAINER	机油粗滤网	1		
04	0HU0-015001-1BP00	OIL PAN	油底壳	1		
05	0010-021014	WASHER 12	垫圈12	1		
06	0180-011500	DRAIN BOLT, MAGNETIC M12X1.5	磁性放油螺栓	1		
07	0010-080010-0010	BOLT M6x10	螺栓	2		
08	0010-021017-0010	BOLT M6x25	螺栓	10		

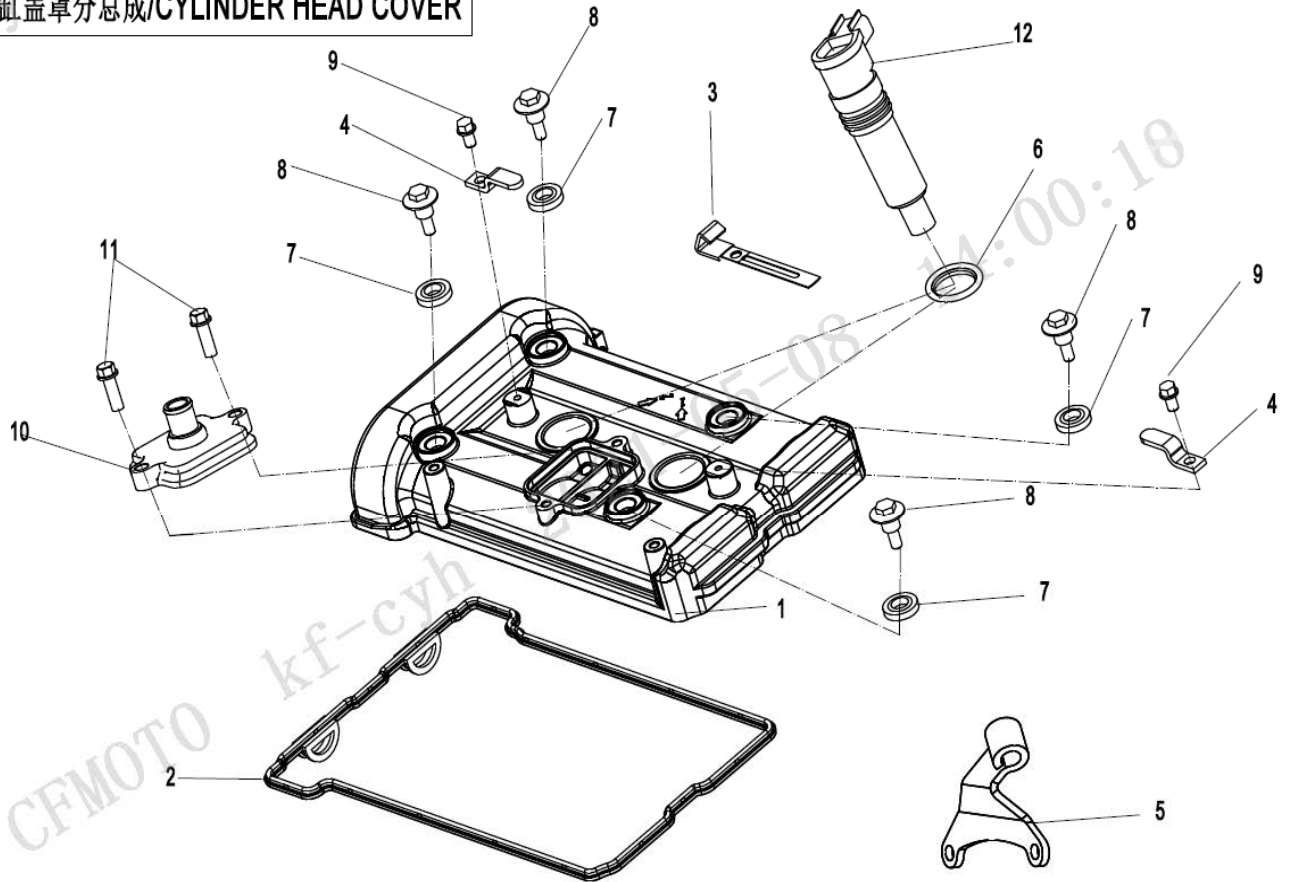
油底壳分总成/OIL PAN



E02-1 气缸盖罩分总成 CYLINDER HEAD COVER

Item No.	Parts Number	Parts Name(EN)	Parts Name(CN)	Qty	Remark(s)	Alternative Parts
01	0HU0-021001-0BP00	CYLINDER HEAD COVER (MAUD SPIRIT BLACK)	气缸盖罩	1		
01	0HU0-021001-0B200	CYLINDER HEAD COVER	气缸盖罩	1		
01	0HU0-021001-0H700	CYLINDER HEAD COVER	气缸盖罩	1		
02	0700-021400-00010	SEAL RING, CYLINDER HEAD COVER (SHU YAUN MACHINE)	气缸盖罩密封圈	1		
03	0180-014010	WIRE CLAMP	线夹组合	1		
04	0700-021005	PRESS PLATE	压板	2		
05	0HU0-013002-10000	BRACKET, CLUTCH CABLE	离合器拉线支架	1		
06	0HU0-021300	SEAL RING, SPARK PLUG	火花塞孔密封圈组件	2		
07	0700-021200	SEAL RING, CYLINDER HEAD COVER BOLT	气缸盖罩螺栓密封圈	4		
08	0700-021003-00001	BOLT, CYLINDER HEAD COVER	气缸盖罩螺栓	4		
09	0010-021019-0010	BOLT M6x12	螺栓	2		
10	0HU0-021004-1BP00	CAP, ONE-WAY VALVE	单向阀盖	1		
11	0010-023010-0010	BOLT M6x20	螺栓	2		
12	0700-178000-10000	IGNITION COIL	点火线圈	2		

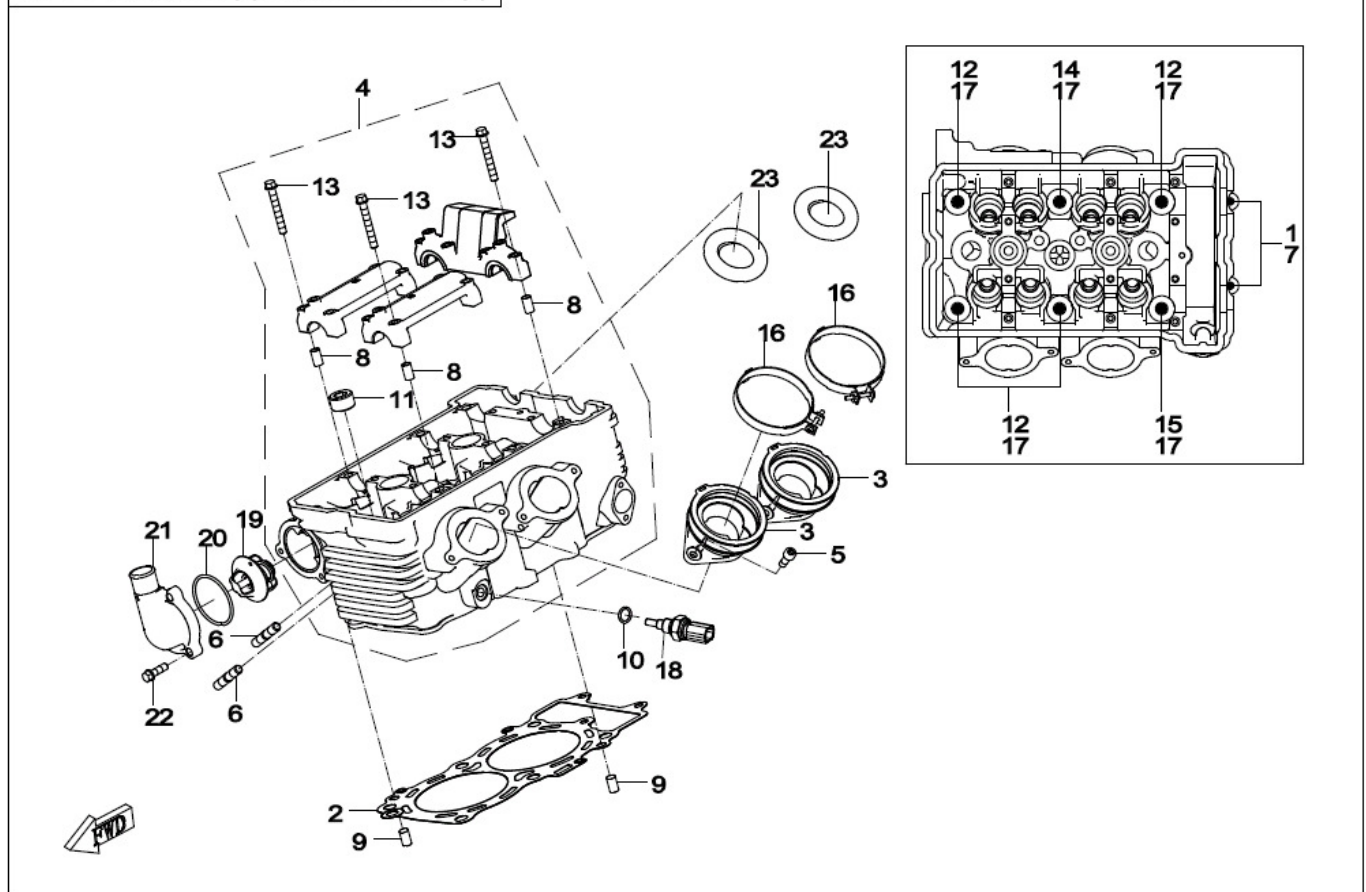
E02-1 气缸盖罩分总成/CYLINDER HEAD COVER



E02-2 气缸盖分总成 (1) CYLINDER HEAD (1)

Item No.	Parts Number	Parts Name(EN)	Parts Name(CN)	Qty	Remark(s)	Alternative Parts
01	0HU0-022002	INNER HEX SCREW M6x30	内六角圆柱头螺钉M6×30	2		
02	0700-022100-0001	GASKET KIT, CYLINDER HEAD	气缸盖垫片组件	1		
03	0700-022320-1000	AIR INLET PIPE	进气管组件	2		
04	0HU0-022200-30000	CYLINDER HEAD	气缸盖部件	1		
05	30102-060016810	SCREW	螺钉	4		
06	0180-022003-00001	STUD M8x42	双头螺柱	4		
07	0060-030004-0030	WASHER 6x10.4x1.6	垫圈	2		
08	0010-080008	DOWEL PIN Dia 8x14	定位销Φ8X14	6		
09	0700-022018	SOLID PIN 8x14	实心销	2		
10	0700-022019	WASHER 12.5x20x1	垫圈	1		
11	0700-022236	PLUG, PT1/2	锥堵1/2	3		
12	0700-022013-00001	BOLT M10x158, CYLINDER HEAD	气缸盖螺栓	4		
13	0700-022204	HEX FLANGE BOLT M6x45	六角法兰面螺栓	12		
14	0700-022014-10001	BOLT M10x176, CYLINDER HEAD	气缸盖螺栓	1		
15	0700-022015-00001	BOLT M10x1.25x80, CYLINDER HEAD	气缸盖螺栓	1		
16	0700-022330	CLAMP, AIR INLET PIPE	进气管卡箍组件	2		
17	0700-022016	WASHER 10.5x19x2.3	垫圈	6		
18	018B-022810	WATER TEMPERATURE SENSOR	水温传感器	1		
19	0700-022500-0001	THERMOSTAT	调温器	1		
20	0700-022011	O-SEAL RING 44.5x2.5	O形密封圈	1		
21	0700-022009-1B200	THERMOSTAT CAP	节温器盖	1		
21	0700-022009-1BP00	THERMOSTAT CAP	节温器盖	1		
22	0010-023010-0010	BOLT M6x20	螺栓	3		
23	0700-022012	GASKET, EXHAUST PIPE	排气管衬垫	2		

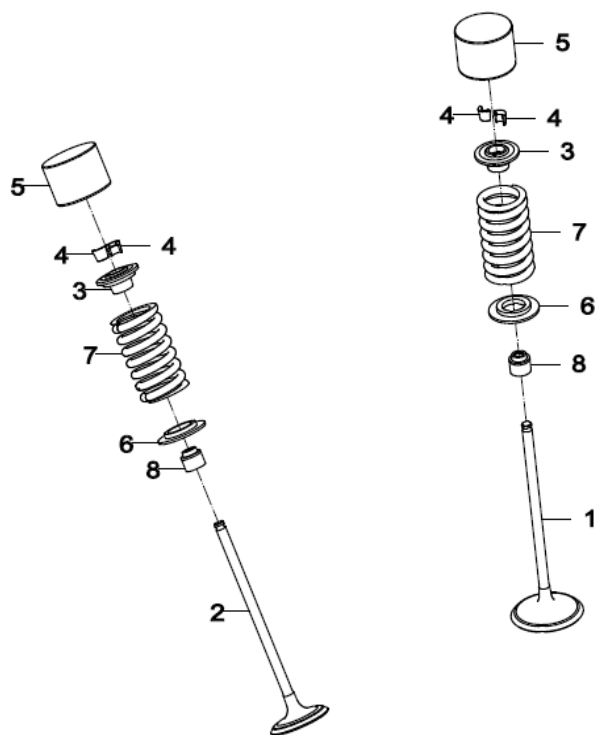
E02-2 气缸盖分总成(1)/CYLINDER HEAD(1)



E02-3 气缸盖分总成 (2) CYLINDER HEAD (2)

Item No.	Parts Number	Parts Name(EN)	Parts Name(CN)	Qty	Remark(s)	Alternative Parts
01	0700-022001-20000	INTAKE VALVE	进气门	4		
02	0700-022002-20001	AIR EXHAUST VALVE	排气门	4		
03	0700-022003	UPPER SEAT, VALVE SPRING	气门弹簧上座	8		
04	0700-022004	LOCK CLIP, VALVE	气门锁夹	16		
05	0700-022005-10100	TAPPET (T=3.20)	挺柱	8		
05	0700-022005-10200	TAPPET (T=3.22)	挺柱	8		
05	0700-022005-10300	TAPPET (T=3.24)	挺柱	8		
05	0700-022005-10400	TAPPET (T=3.26)	挺柱	8		
05	0700-022005-10500	TAPPET (T=3.28)	挺柱	8		
05	0700-022005-10600	TAPPET (T=3.30)	挺柱	8		
05	0700-022005-10700	TAPPET (T=3.32)	挺柱	8		
05	0700-022005-10800	TAPPET (T=3.34)	挺柱	8		
05	0700-022005-10900	TAPPET (T=3.36)	挺柱	8		
05	0700-022005-11000	TAPPET (T=3.38)	挺柱	8		
05	0700-022005-11100	TAPPET (T=3.40)	挺柱	8		
05	0700-022005-11200	TAPPET (T=3.42)	挺柱	8		
05	0700-022005-11300	TAPPET (T=3.44)	挺柱	8		
05	0700-022005-11400	TAPPET (T=3.46)	挺柱	8		
05	0700-022005-11500	TAPPET (T=3.48)	挺柱	8		
05	0700-022005-11600	TAPPET (T=3.50)	挺柱	8		
05	0700-022005-11700	TAPPET (T=3.52)	挺柱	8		
05	0700-022005-11800	TAPPET (T=3.54)	挺柱	8		
05	0700-022005-11900	TAPPET (T=3.56)	挺柱	8		
05	0700-022005-12000	TAPPET (T=3.58)	挺柱	8		
05	0700-022005-12100	TAPPET (T=3.60)	挺柱	8		
05	0700-022005-12200	TAPPET (T=3.62)	挺柱	8		
05	0700-022005-12300	TAPPET (T=3.64)	挺柱	8		
05	0700-022005-12400	TAPPET (T=3.66)	挺柱	8		
05	0700-022005-12500	TAPPET (T=3.68)	挺柱	8		
05	0700-022005-12600	TAPPET (T=3.70)	挺柱	8		
05	0700-022005-12700	TAPPET (T=3.72)	挺柱	8		
05	0700-022005-12800	TAPPET (T=3.74)	挺柱	8		
05	0700-022005-12900	TAPPET (T=3.76)	挺柱	8		
05	0700-022005-13000	TAPPET (T=3.78)	挺柱	8		
05	0700-022005-13100	TAPPET (T=3.80)	挺柱	8		
05	0700-022005-13200	TAPPET (T=3.82)	挺柱	8		
05	0700-022005-13300	TAPPET (T=3.84)	挺柱	8		
05	0700-022005-13400	TAPPET (T=3.86)	挺柱	8		
05	0700-022005-13500	TAPPET (T=3.88)	挺柱	8		
05	0700-022005-13600	TAPPET (T=3.90)	挺柱	8		
05	0700-022005-13700	TAPPET (T=3.92)	挺柱	8		
05	0700-022005-13800	TAPPET (T=3.94)	挺柱	8		
05	0700-022005-13900	TAPPET (T=3.96)	挺柱	8		
05	0700-022005-14000	TAPPET (T=3.98)	挺柱	8		
05	0700-022005-14100	TAPPET (T=4.00)	挺柱	8		
05	0700-022005-14200	TAPPET (T=4.02)	挺柱	8		
05	0700-022005-14300	TAPPET (T=4.04)	挺柱	8		
05	0700-022005-14400	TAPPET (T=4.06)	挺柱	8		
05	0700-022005-14500	TAPPET (T=4.08)	挺柱	8		
05	0700-022005-14600	TAPPET (T=4.10)	挺柱	8		
05	0700-022005-14700	TAPPET (T=4.12)	挺柱	8		
05	0700-022005-14800	TAPPET (T=4.14)	挺柱	8		
05	0700-022005-14900	TAPPET (T=4.16)	挺柱	8		
05	0700-022005-15000	TAPPET (T=4.18)	挺柱	8		
05	0700-022005-15100	TAPPET (T=4.20)	挺柱	8		
05	0700-022005-15200	TAPPET (T=4.22)	挺柱	8		
05	0700-022005-15300	TAPPET (T=4.24)	挺柱	8		
05	0700-022005-15400	TAPPET (T=4.26)	挺柱	8		
05	0700-022005-15500	TAPPET (T=4.28)	挺柱	8		
06	0700-022006	LOWER SEAT, VALVE SPRING	气门弹簧下座	8		
07	0700-022007-10000	SPRING, VALVE (HANG ZHOU SPRING)	气门弹簧	8		

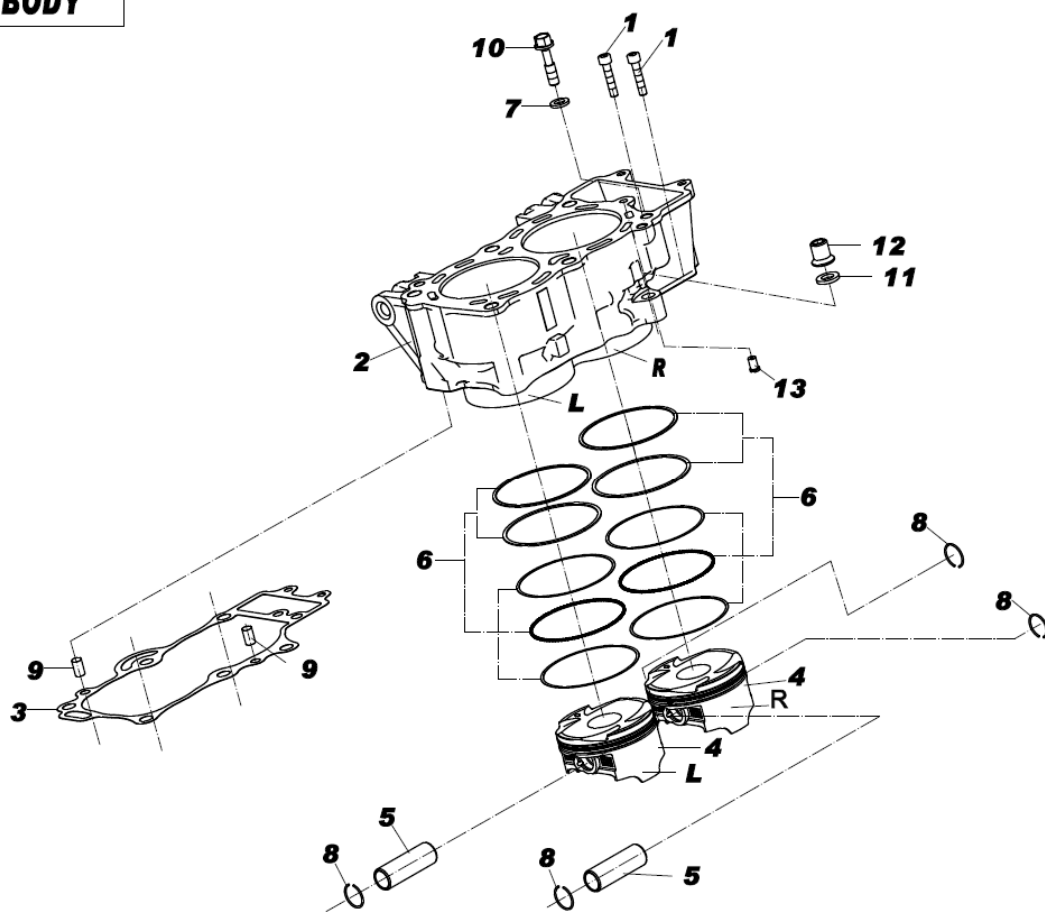
E02-3 气缸盖分总成(2)/CYLINDER HEAD(2)



E02-4 气缸体分总成 CYLINDER BODY

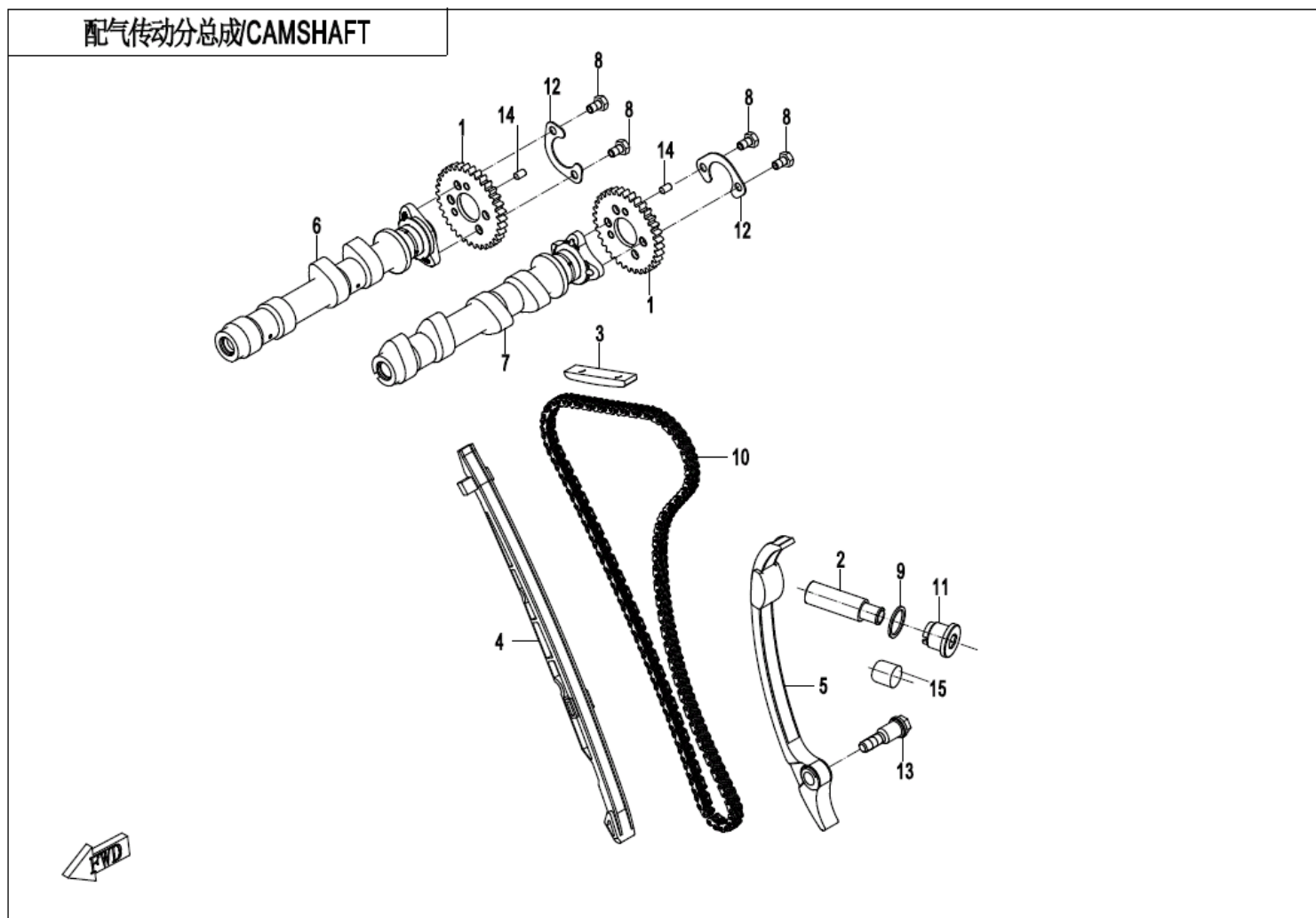
Item No.	Parts Number	Parts Name(EN)	Parts Name(CN)	Qty	Remark(s)	Alternative Parts
01	0060-030003-0030	INNER HEX SCREW M6x30	内六角圆柱头螺栓	2		
02	0HU0-023001-2BP00	CYLINDER BODY	气缸体	1		
03	0700-023002-0001	GASKET, CYLINDER	气缸体垫片	1		
04	0HU0-040007-00010	PISTON	活塞	2		
04	0HU0-040007-00020	PISTON	活塞	2		
04	0HU0-040007-00030	PISTON	活塞	2		
05	0HU0-040008	PISTON PIN	活塞销	2		
06	0700-0400A0	PISTON RING ASSY	活塞环组合	2		
07	0700-023004	WASHER 8.5x15.5x2	垫圈	1		
08	0700-040009	CIRCLIP, PISTON PIN	活塞销挡圈	4		
09	0700-022018	SOLID PIN 8x14	实心销	2		
10	0700-023003-00001	BOLT M8x43	螺栓	1		
11	0700-022016	WASHER 10.5x19x2.3	垫圈	1		
12	0700-011111-00001	NUT M10x1.25	螺母	1		
13	0700-023005	RESTRICTION PLUG	节流塞	1		

气缸体分总成/CYLINDER BODY



E02-5 配气传动分总成 CAMSHAFT

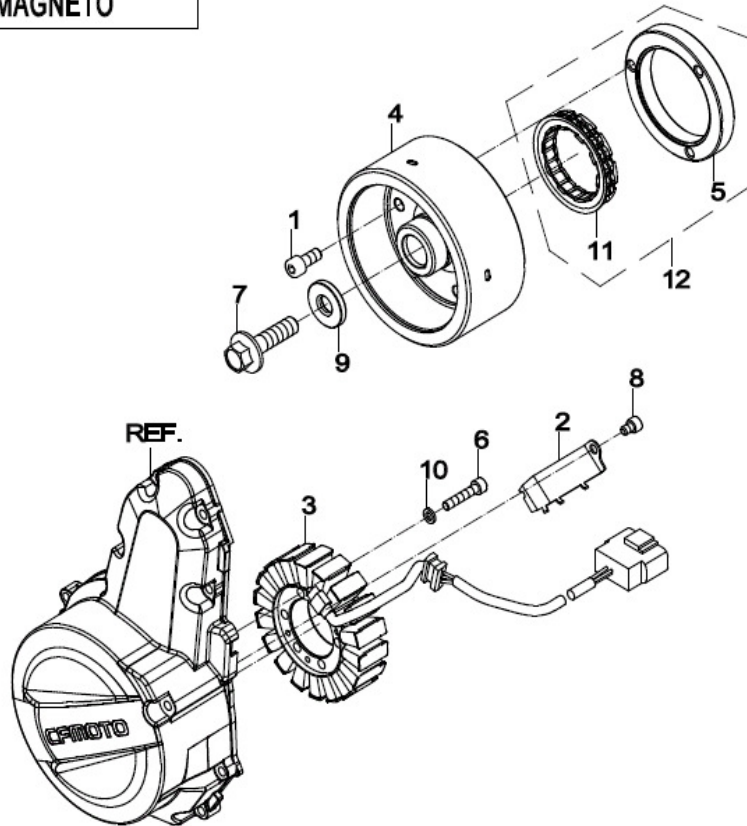
Item No.	Parts Number	Parts Name(EN)	Parts Name(CN)	Qty	Remark(s)	Alternative Parts
01	0700-024002-0001	TIMING SPROCKET (1-3 GEAR)	正时链轮	2		
02	0MQ0-024400	TENSIONER ASSY	张紧器组件	1		
03	0700-022017	CHAIN GUIDE BLOCK	导链块	1		
04	0MQ0-024006	CHAIN GUIDE	链条导板	1		
05	0MQ0-024300	TENSION PLATE ASSY	张紧板组件	1		
06	0700-024500	CAMSHAFT, EXHAUST	排气凸轮轴组件	1		
07	0HU0-024400	CAMSHAFT, AIR INLET	进气凸轮轴组件	1		
08	30004-060010150	BOLT M6x10	螺栓	4		
09	C3H0-023006	WASHER 16x22x1.5	垫圈	1		
10	0700-024200-00030	TIMING CHAIN	正时链条组件	1		
11	0MQ0-024001	SCREW PLUG M16x14	螺塞	1		
12	0700-024003	RETAINER	止动挡片	2		
13	0700-024008-00001	PIN SHAFT	螺纹销轴	1		
14	30406-00501	ROLLER NEEDLE P5x7.8	滚针P5X7.8	2		
15	0A70-012007	PLUG	堵头	1		



E03 磁电机总成 MAGNETO

Item No.	Parts Number	Parts Name(EN)	Parts Name(CN)	Qty	Remark(s)	Alternative Parts
01	0110-090009-00001	INNER HEX SCREW M8x18	内六角圆柱头螺钉	3		
02	0700-030001-00001	PLATE	压线板	1		
03	0700-032000-10000	MAGNETO STATOR (SUMITOMO PLUG)	磁电机定子组合	1		
04	0700-031000	MAGNETO ROTOR	磁电机转子组合	1		
05	0700-091001	COUPLING	单向器座	1		
06	0060-030003-0030	INNER HEX SCREW M6x30	内六角圆柱头螺栓	3		
07	0700-040001-20000	BOLT M12x1.25x45	螺栓M12x1.25x45	1		
08	0010-090006-0010	SCREW M6x12	螺钉	1		
09	0700-040002-00001	WASHER 12.5x33x5	垫圈	1		
10	0060-030004-0030	WASHER 6x10.4x1.6	垫圈	3		
11	0700-091200	CLUTCH, ONE-WAY	单向器组件	1		
12	0700-091000	OVERRIDING CLUTCH	超越离合器组件	1		

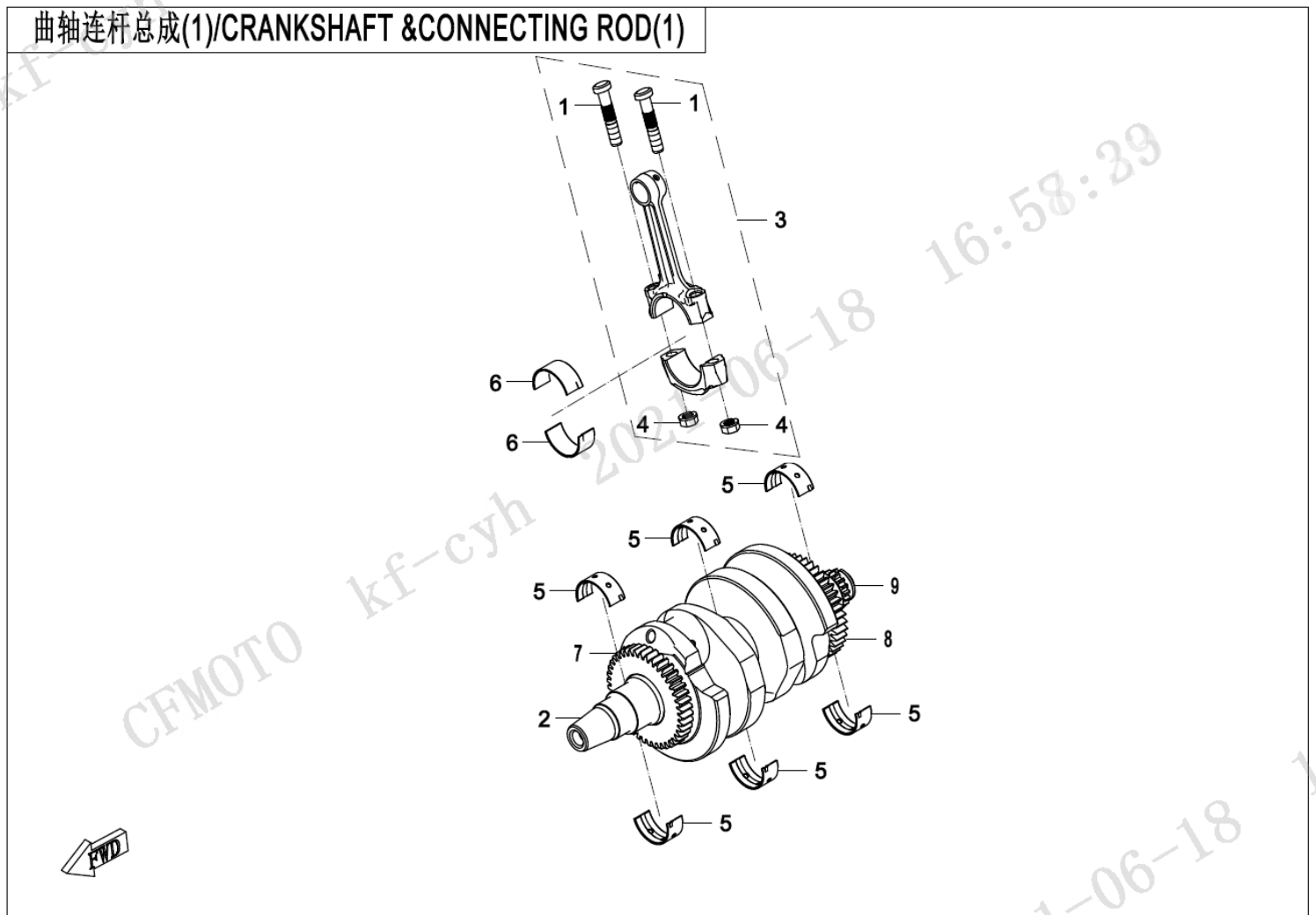
E03 磁电机总成MAGNETO



E04-1 曲轴连杆总成 (1)

CRANKSHAFT &CONNECTING ROD (1)

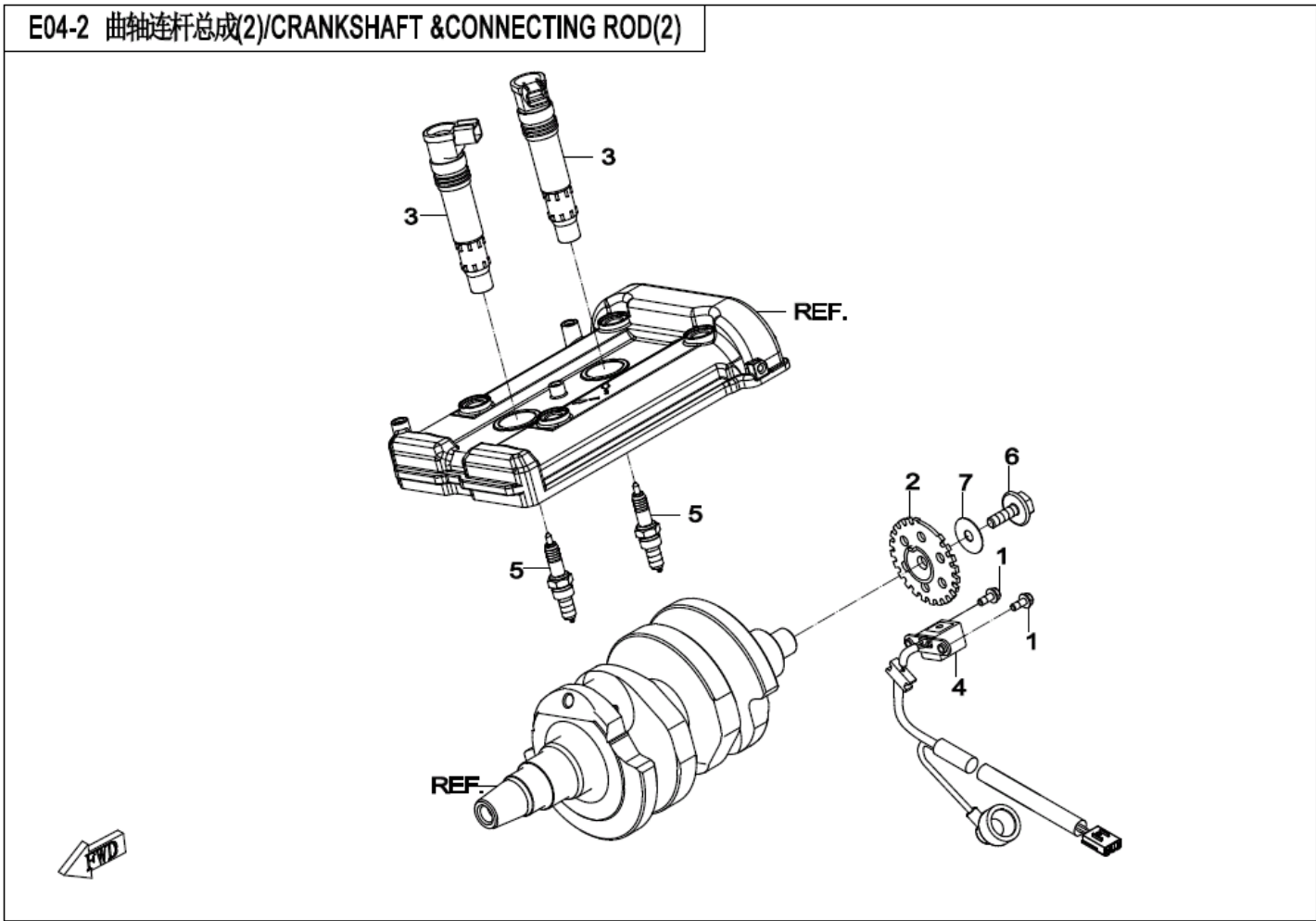
Item No.	Parts Number	Parts Name(EN)	Parts Name(CN)	Qty	Remark(s)	Alternative Parts
01	0700-041203-10000	BOLT, CONNECTING RID	连杆螺栓	4		
02	0700-041110-20000	CRANKSHAFT ASSY	曲轴部件	1		
03	0700-041200-40011	CONNECTING ROD ASSY	连杆组件	2	I	
03	0700-041200-40021	CONNECTING ROD ASSY	连杆组件	1	I I	
03	0700-041200-40031	CONNECTING ROD ASSY	连杆组件	1	I I I	
04	0700-041204	NUT, CONNECTING ROD	连杆螺母	4		
05	0700-011003-00011	MAIN PLAIN BEARING	主轴瓦	6	I	
05	0700-011003-00021	MAIN PLAIN BEARING	主轴瓦	6	I I	
06	0700-041001-30020		连杆轴瓦	4		
06	0700-041001-30010	PLAIN BEARING, CONNECTING ROD	连杆轴瓦	4		
06	0700-041001-30030	PLAIN BEARING, CONNECTING ROD	连杆轴瓦	4		
06	0700-041001-30040	PLAIN BEARING, CONNECTING ROD	连杆轴瓦	4		
06	0700-041001-30050	PLAIN BEARING, CONNECTING ROD	连杆轴瓦	4		
07	0700-041101-10010	DRIVE GEAR, BALANCER	平衡轴主动齿轮	1		
08	0700-041102-10010	OUTPUT GEAR	输出齿轮	1		
09	0700-041103-1000	TIMING DRIVE SPROCKET	正时主动链轮	1		



E04-2 曲轴连杆总成 (2)

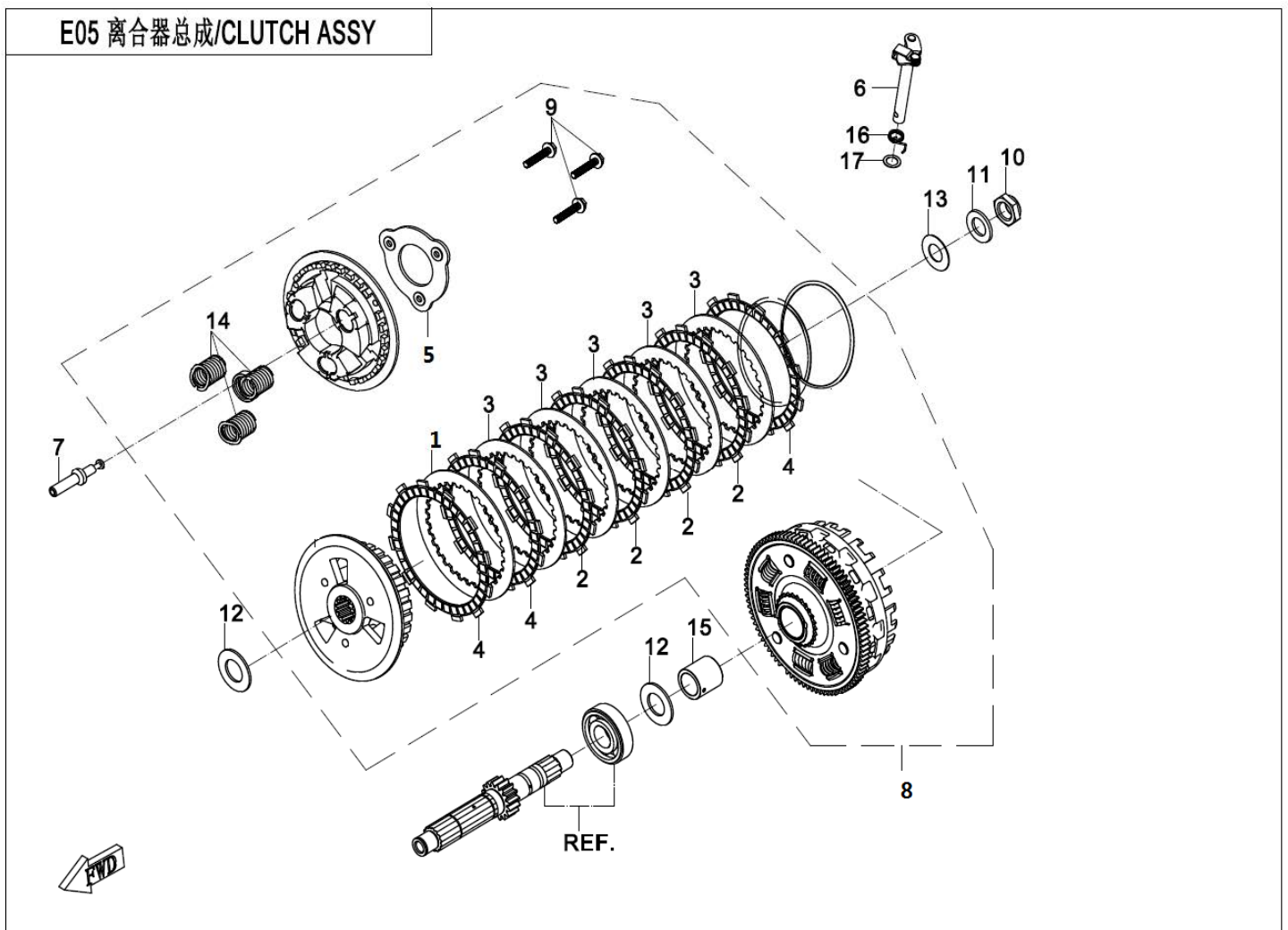
CRANKSHAFT &CONNECTING ROD (2)

Item No.	Parts Number	Parts Name(EN)	Parts Name(CN)	Qty	Remark(s)	Alternative Parts
01	0700-012013-00001	BOLT M5x12	螺栓	2		
02	0700-040005-10000	PULSING ROTOR, CRANKCASE	曲轴转速触发盘	1		
03	0700-178000-10000	IGNITION COIL	点火线圈	2	DACY	
04	0700-012400-00001	PICK UP ASSY	触发器组件	1		
05	0700-170200	SPARK PLUG	火花塞组件	2		
06	0700-040003-00001	BOLT M8x23	螺栓M8x23	1		
07	0700-040004	WASHER 8.5x28x0.8	垫圈	1		



E05 离合器总成(滑动离合器) CLUTCH (SLIPPING CLUTCH)

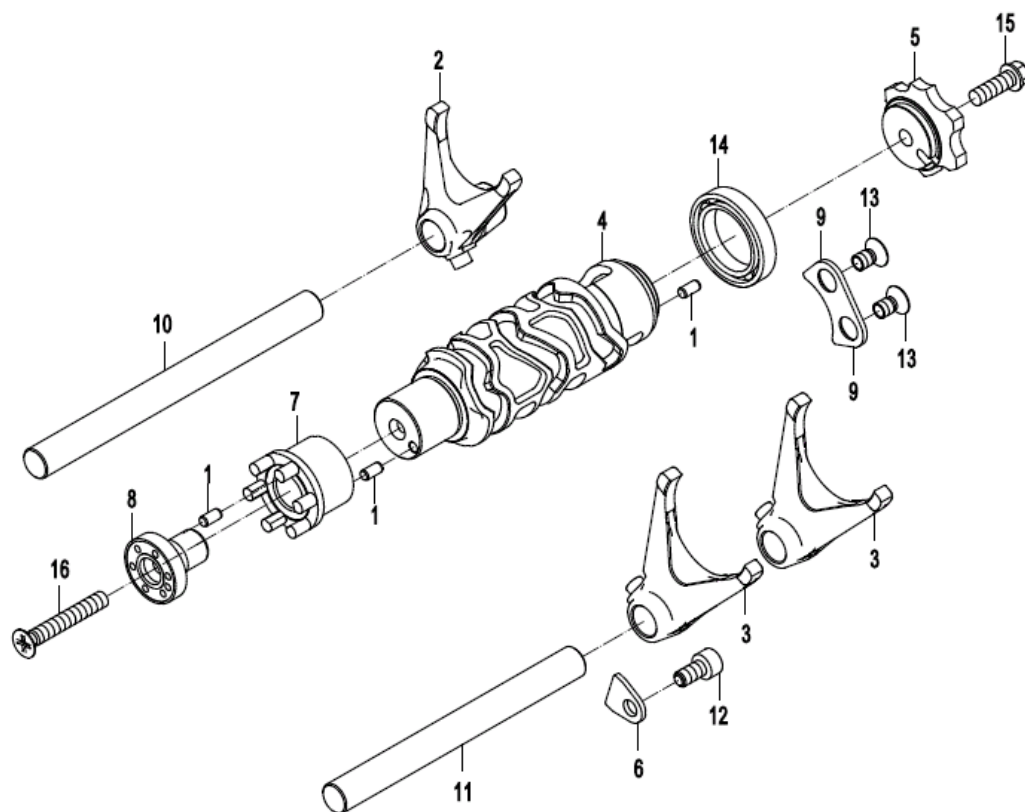
Item No.	Parts Number	Parts Name(EN)	Parts Name(CN)	Qty	Remark(s)	Alternative Parts
01	0HU0-051003	STEEL PLATE B	钢片B	1		
02	0HU0-051300	FRICTION DISC B	摩擦片组件B	4		
03	0HU0-051002	STEEL PLATE A	钢片A	5		
04	0HU0-051200	FRICTION DISC A	摩擦片组件A	3		
05	0HU0-051011	PRESS PLATE	压板	1		
06	0HU0-013200-1BP00	CLUTCH CONTROL SHAFT ASSY	离合控制轴组件	1		
07	0HU0-050004	TIE-ROD	拉杆	1		
08	0HU0-051000-10010	CLUTCH SUB ASSY	离合器分总成	1		
08	0HU0-051000-10020	CLUTCH SUB ASSY	离合器分总成	1		
09	0HU0-051006	BOLT M6x35	螺栓	3		
10	0700-061002-00001	NUT	螺母	1		
11	0700-061003	CIRCLIP 20	弹性垫圈20	1		
12	0700-061005	WASHER 25.5x47x2.5	垫圈	2		
13	0A70-011007	WASHER 20x40x1	垫圈	1		
14	0HU0-051004	SPEING	压簧	3		
15	0700-061004-00010	AXLE SLEEVE, CLUTCH	离合器轴套	1		
16	0HU0-013006	SPRING, CLUTCH CONTROL LEVER	离合器操纵杆扭簧	1		
17	0700-013007-10000	WASHER 12.5x18.5x0.6	垫圈	1		



E06-1 换档变速总成 (1) TRANSMISSION SYSTEM (1)

Item No.	Parts Number	Parts Name(EN)	Parts Name(CN)	Qty	Remark(s)	Alternative Parts
01	30406-00401	ROLLER NEEDLE P4x7.8	滚针P4x7.8	3		
02	0700-060004-1000	FORK, MAIN SHAFT	主轴拨叉	1		
03	0700-060002-1000	SHIFT FORK, COUNTERSHAFT	副轴拨叉	2		
04	0700-063001-10001	SHIFT DRUM	变档鼓	1		
05	0700-063002	CAM, GEARSHIFT DRUM	定位星轮	1		
06	0700-066008	PLATE 2	挡板2	1		
07	0700-063003-00001	SHIFT LOCATION DRUM	拨轮	1		
08	0700-063100-30001	GEAR SENSOR	档位传感器	1		
09	0700-066009	PLATE 3	挡板3	1		
10	0700-060003	FORK SHAFT, MAIN SHAFT	主轴拨叉轴	1		
11	0700-060001	SHIFT FORK, COUNTERSHAFT	副轴拨叉轴	1		
12	0010-090006-0010	SCREW M6x12	螺钉	1		
13	0700-066010-00001	SCREW, BEARING PLATE	轴承压板螺钉	2		
14	30400-02504	BEARING	深沟球轴承	1		
15	0010-023008-0010	BOLT M6x18	螺栓	1		
16	30128-060040700	SCREW M6x40-H	螺钉	1		

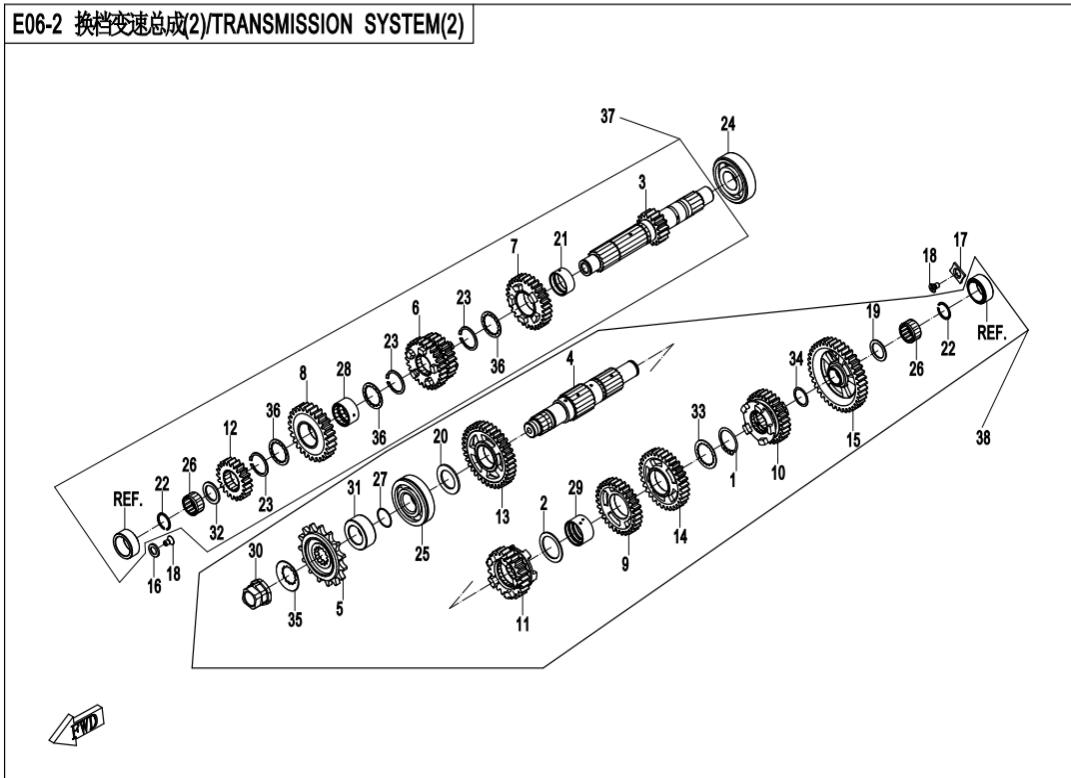
E06-1 换档变速总成(1)/TRANSMISSION SYSTEM(1)



E06-2 换档变速总成 (2) TRANSMISSION SYSTEM (2)

Item No.	Parts Number	Parts Name(EN)	Parts Name(CN)	Qty	Remark(s)	Alternative Parts
01	30801-03005	CIRCLIP 30 S=1.5	挡圈30S=1.5	1		
02	0700-062009	WASHER 30x38.5x1.5	垫圈	1		
03	0HU0-061001	MAIN SHAFT	主轴	1		
04	0HU0-062001	COUNTER SHAFT	副轴	1		
05	0700-062030	SPROCKET, OUTPUT	输出链轮组件	1		
06	0700-061011-1000	DRIVE GEAR, 3RD AND 4TH SPEED (1-3 GEAR)	主动齿轮_3-4档_秋田	1		
07	0HU0-061007	DRIVEN GEAR (5TH GEAR)	主动齿轮_五档	1		
08	0700-061013-1000	DRIVE GEAR, 6TH SPEED (27)	主动齿轮6_档_秋田	1		
09	0700-062008-1000	DRIVEN GEAR, 4TH SPEED (30)	从动齿轮_4档	1		
10	0HU0-062004	DRIVEN GEAR (5TH GEAR)	从动齿轮_五档	1		
11	0700-062011-1000	DRIVEN GEAR, 6TH SPEED (23)	从动齿轮6_档_秋田	1		
12	0700-061014-1000	DRIVE GEAR, 2ND SPEED (1-3 GEAR)	主动齿轮2_档_秋田	1		
13	0700-062200-1000	DRIVEN GEAR, 2ND SPEED (1-3 GEAR)	从动齿轮_2档分部件_秋田	1		
14	0700-062006-1000	DRIVEN GEAR, 3RD SPEED (32)	从动齿轮_3档_秋田	1		
15	0700-062100-1000	DRIVEN GEAR, 1ST SPEED (1-3 GEAR)	从动齿轮_1档分部件_秋田	1		
16	0700-011108	PRESS TOOL, SHAFT SLEEVE	轴套压板	1		
17	0HU0-066003	GUARD 1	挡板1	1		
18	0180-014009-00001	SCREW, PRESS PLATE	油封压板螺钉	1		
19	0HU0-062002	WASHER 20.5x32x1.2	垫片	1		
20	0700-062012	WASHER 25x39x2	垫圈	1		
21	0700-061006	BUSHING 28x14	轴承套	1		
22	0700-061016	CIRCLIPS FOR SHAFT 20	轴用挡圈20	2		
23	0700-061009	CIRCLIPS FOR SHAFT 28	轴用挡圈28	3		
24	0700-066002	BEARING 25x62x17	轴承	1		
25	0700-010100	BEARING 25x62x17, COUNTERSHAFT	副轴轴承	1		
26	0HU0-061100	NEEDLE BEARING K20x28x16	滚针轴承	2		
27	0800-062205	O-SEAL RING 25x2	O形密封圈	1		
28	0700-061012	BUSHING 28x14.7	轴承套28x14.7	1		
29	0700-062007	BUSHING 29.65	轴承套	1		
30	0700-062016	NUT, COUNTER PULSE	记数脉冲螺母	1		
31	0700-062013-20000	COLLAR, COUNTERSHAFT (ONLY FOR THE AMBASSADOR CAR)	副轴轴套	1		
32	0HU0-061002	WASHER 20.5x32x1.5	垫片	1		
33	0700-062005	WASHER	花键垫圈	1		
34	0700-062003	WASHER 20.4x25x0.5	垫圈	1		
35	0700-062015	WASHER	防松垫圈	1		
36	0700-061008	WASHER	花键垫圈	3		
37	0HU0-061000-10000	MAIN SHAFT	主轴部件	1		
38	0HU0-062000-10000	COUNTERSHAFT	副轴部件	1		

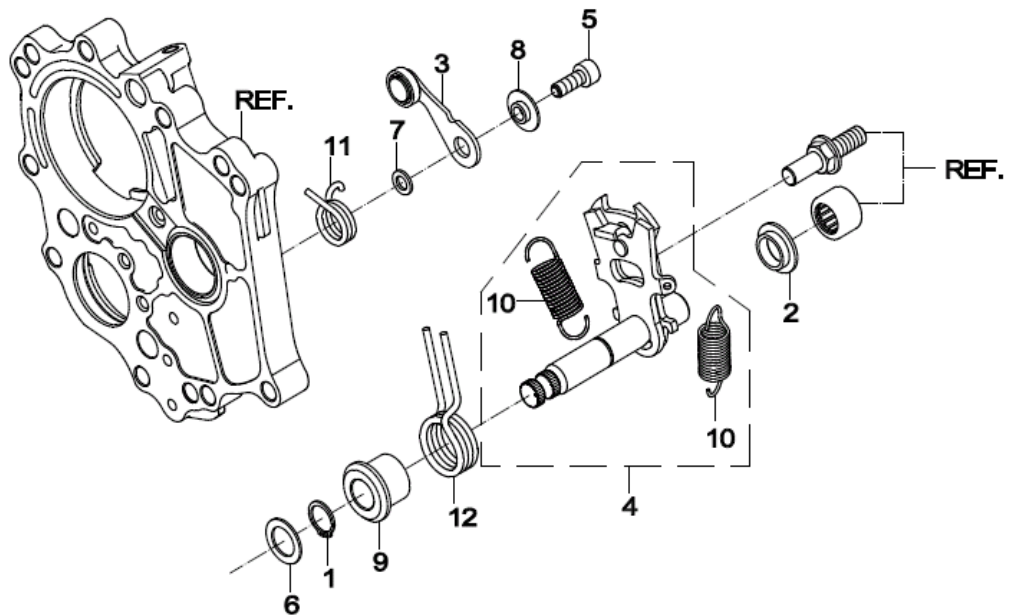
E06-2 换档变速总成(2)/TRANSMISSION SYSTEM(2)



E06-3 换档变速总成 (3) TRANSMISSION SYSTEM (3)

Item No.	Parts Number	Parts Name(EN)	Parts Name(CN)	Qty	Remark(s)	Alternative Parts
01	30801-01305	CIRCLIP 13	挡圈13	1		
02	0700-065106	BUSHING 13	衬套13	1		
03	0700-064100	SWING ARM, GEARSHIFT	换档定位摇臂分部件	1		
04	0700-0651A0	SHAFT, GEARSHIFT	换档轴合件	1		
05	30102-060016810	SCREW	螺钉	1		
06	0700-065101-1000	WASHER 13.2x20x1.5	垫圈	1		
07	0700-064001	WASHER 6.3x16.3x1.2	垫圈	1		
08	0700-064003	SLEEVE, SWING ARM, GEARSHIFT	换档定位摇臂轴套	1		
09	0700-065102	SHAFT SLEEVE	轴套	1		
10	0700-065107	SPRING, SWING ARM, GEARSHIFT	换档摇臂拉簧	2		
11	0700-064002	SPRING, SWING ARM, GEARSHIFT	换档定位摇臂扭簧	1		
12	0700-065103-10000	RETURN SPRING, GEARSHIFT	换档摇臂回位扭簧	1		

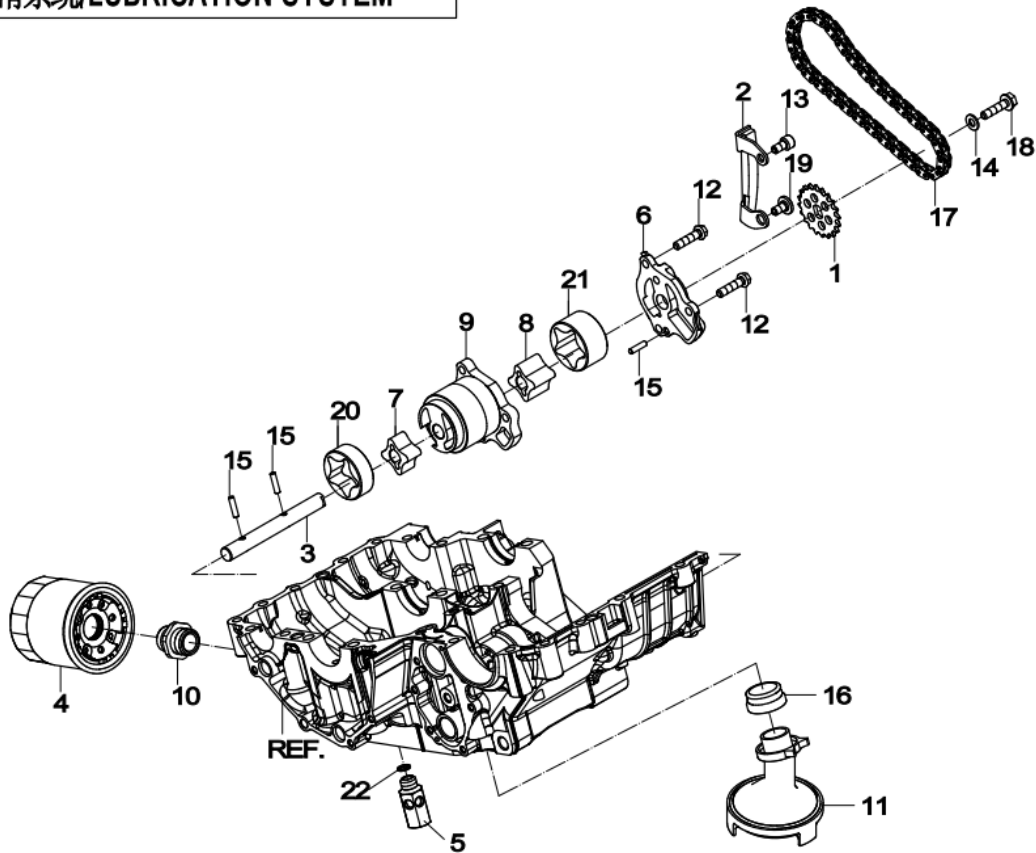
E06-3 换档变速总成(3)/TRANSMISSION SYSTEM(3)



E07 润滑系统 LUBRICATION SYSTEM

Item No.	Parts Number	Parts Name(EN)	Parts Name(CN)	Qty	Remark(s)	Alternative Parts
01	0700-070004	SPROCKET, OIL PUMP (Huzhou Shuangsh	机油泵链轮	1		
02	0700-070400	CHAIN GUIDE, OIL PUMP	机油泵链条导板组件	1		
03	0700-071001	SHAFT, OIL PUMP	机油泵轴	1		
04	0MQ0-070200	OIL FILTER ASSY	机油滤清器总成	1		
05	0700-012600-1000	RELIEF VALVE, OIL	机油限压阀组件	1		
06	0700-071006	COVER, OIL PUMP	机油泵盖	1		
07	0700-071004	INNER ROTOR, MAIN OIL PUMP	主机油泵内转子	1		
08	0700-071008	INNER ROTOR, AUXILIARY OIL PUMP	副机油泵内转子	1		
09	0700-071002	OIL PUMP	机油泵体	1		
10	0700-012106-00001	BOLT, OIL FILTER	机油滤安装螺栓	1		
11	0700-070110	OIL SUCTION PAN ASSY	吸油盘合件	1		
12	0010-021017-0010	BOLT M6x25	螺栓	3		
13	0010-090006-0010	SCREW M6x12	螺钉	1		
14	0700-064001	WASHER 6.3x16.3x1.2	垫圈	1		
15	30406-00400	ROLLER NEEDLE P4x15.8	滚针	3		
16	0700-070101	GASKET, OIL SUCTION PAN	吸油盘密封圈	1		
17	0700-070500	CHAIN, OIL PUMP (Huzhou Shuangshi)	机油泵链条组件	1		
18	0700-070005	BOLT M6x20 (LEFT-HAND THREAD)	螺栓	1		
19	0700-070002-00001	SCREW M6x9	螺钉M6x9	1		
20	0700-071003	OUTER ROTOR, MAIN OIL PUMP	主机油泵外转子	1		
21	0700-071007	OUTER ROTOR, AUXILIARY OIL PUMP	副机油泵外转子	1		
22	0700-012701	O-SEAL RING 10x2	O型密封圈10x2	1		

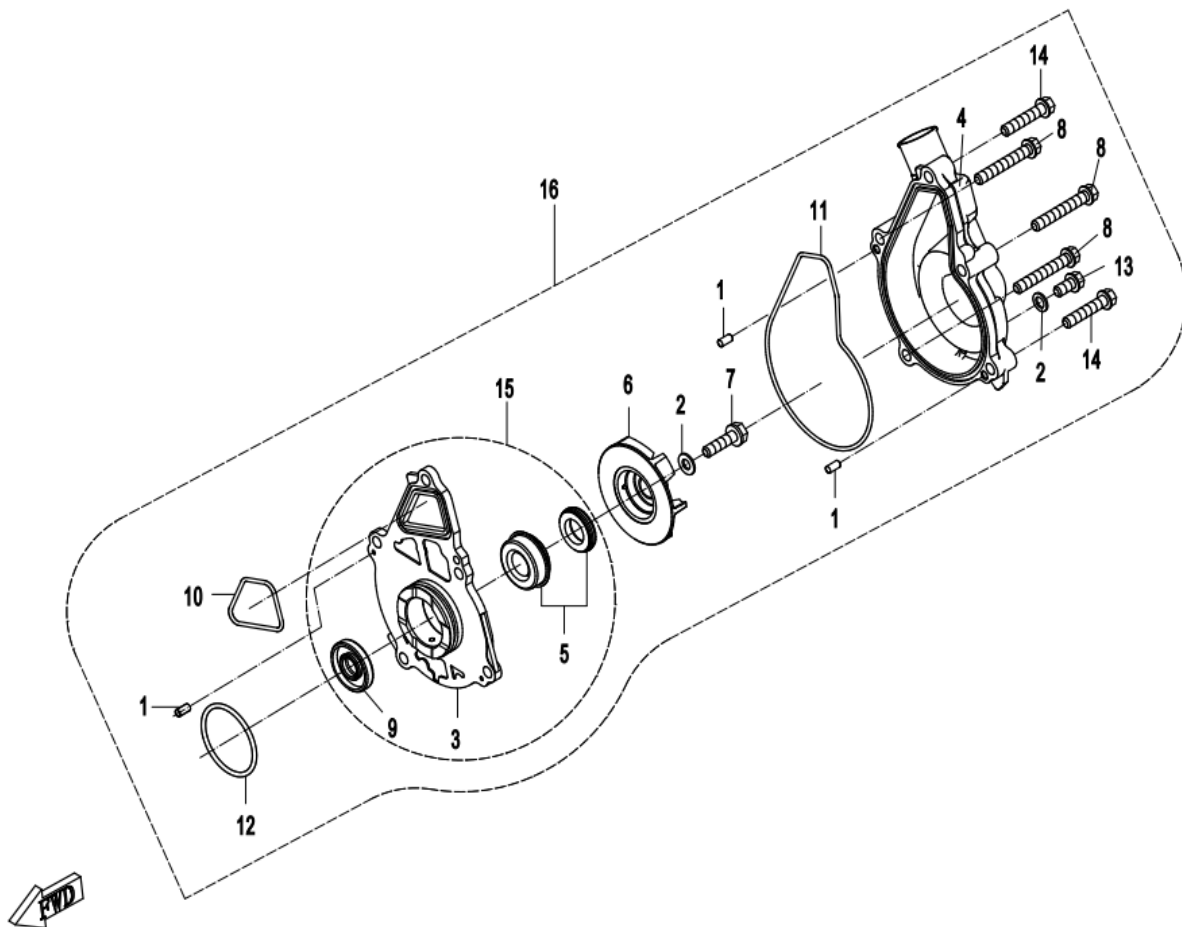
E07 润滑系统/LUBRICATION SYSTEM



E08 水泵总成 WATER PUMP

Item No.	Parts Number	Parts Name(EN)	Parts Name(CN)	Qty	Remark(s)	Alternative Parts
01	30406-00401	ROLLER NEEDLE P4x7.8	滚针P4x7.8	3		
02	0010-080011	WASHER 6x12x1	垫圈	2		
03	0700-081001-1B200	WATER PUMP BODY (MATTE BLACK)	水泵体	1		
03	0700-081001-1BP00	WATER PUMP	水泵体	0		
04	0700-080001-1BP00	WATER PUMP COVER	水泵盖	1		
05	0700-081200	WATER SEAL ASSY	水封组件	1		
06	0700-080003-00001	IMPELLER, WATER PUMP	水泵叶轮	1		
07	0010-080013-0010	BOLT M6x22	螺栓	1		
08	0010-013009-0010	BOLT M6x40	螺栓	3		
09	0700-081100	OIL SEAL 12x32x5.5	油封	1		
10	0700-081002	SEAL RING, WATER PUMP HOUSING	水泵体密封圈	1		
11	0700-080002	SEAL RING, WATER PUMP COVER	水泵盖密封圈	1		
12	0700-081004	O-RING 37x2.5	O型密封圈37X2.5	1		
13	0010-021019-0010	BOLT M6x12	螺栓	1		
14	0010-060012-0010	BOLT M6x30	螺栓	2		
15	0700-0810A0	WATER PUMP BODY	水泵体组合	1		
16	0700-0800A0-1B200	WATER PUMP ASSY (MATTE BLACK)	水泵组合	1		

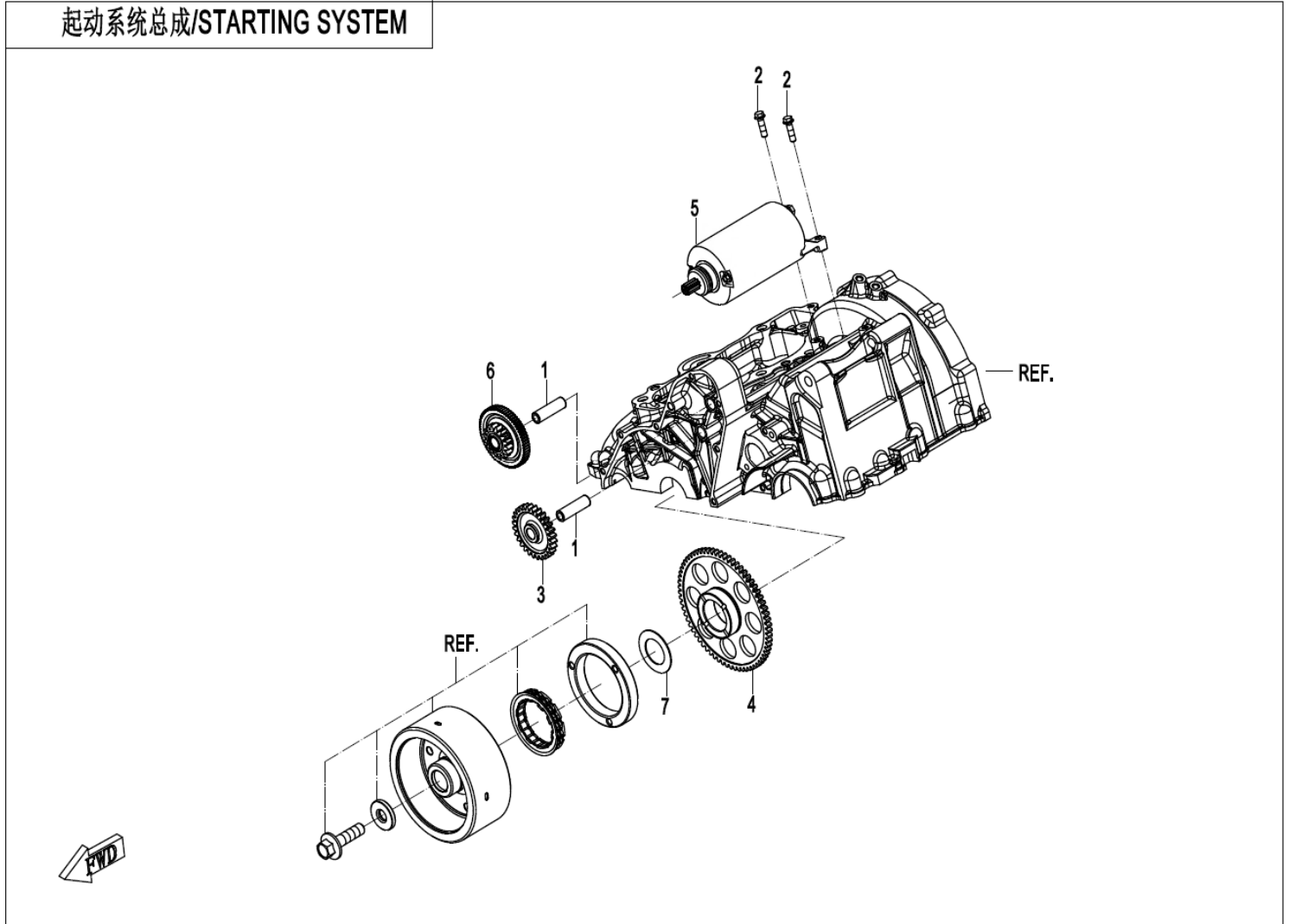
E08 水泵总成 WATER PUMP



E09 启动系统 STARTING SYSTEM

Item No.	Parts Number	Parts Name(EN)	Parts Name(CN)	Qty	Remark(s)	Alternative Parts
01	0700-090003	SHAFT, MIDDLE GEAR	中间齿轮轴	2		
02	0010-080013-0010	BOLT M6x22	螺栓	2		
03	0700-090002	STARTING GEAR	起动中间齿轮	1		
04	0700-094000-10001	GEAR ASSY, STARTING MOTOR	起动大齿轮组件	1		
04	0700-094000-10000	GEAR, STARTING MOTOR	起动大齿轮组件	1		0700-094000-10001
05	0HU0-093000	START MOTOR	起动电机组件	1		
06	0700-092000-0001	DUAL GEAR (1-3 GEAR)	双联齿轮组件	1		0700-090004
07	0700-090001	WASHER 29.2x48x1.2	垫圈	1		

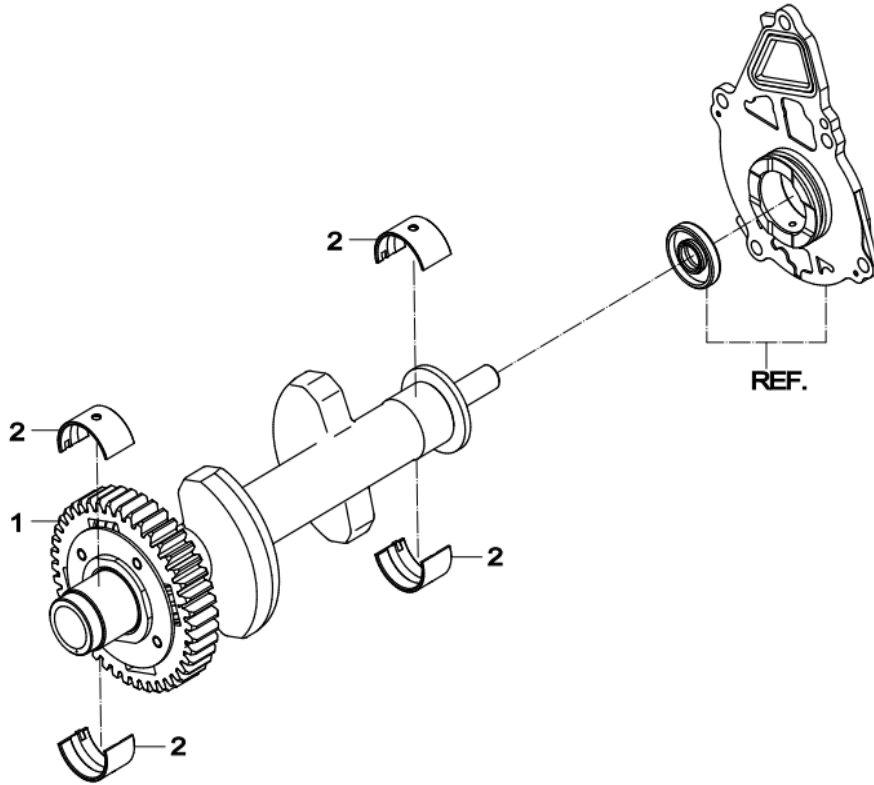
起动系统总成/STARTING SYSTEM



E16 平衡轴总成 BALANCER SHAFT

Item No.	Parts Number	Parts Name(EN)	Parts Name(CN)	Qty	Remark(s)	Alternative Parts
01	0HU0-160000-10011	BLANCER SHAFT ASSY	平衡轴总成	1		
01	0HU0-160000-10021	BLANCER SHAFT ASSY	平衡轴总成	1		
02	0700-011004-0002	PLAIN BEARING, BALANCE SHAFT (BLUE)	平衡轴瓦	4		
02	0700-011004-0001	PLAIN BEARING, BALANCE SHAFT (BLACK)	平衡轴瓦	4		
02	0700-011004-00011	PALIN BEARING, BALANCER SHAFT	平衡轴瓦	4		

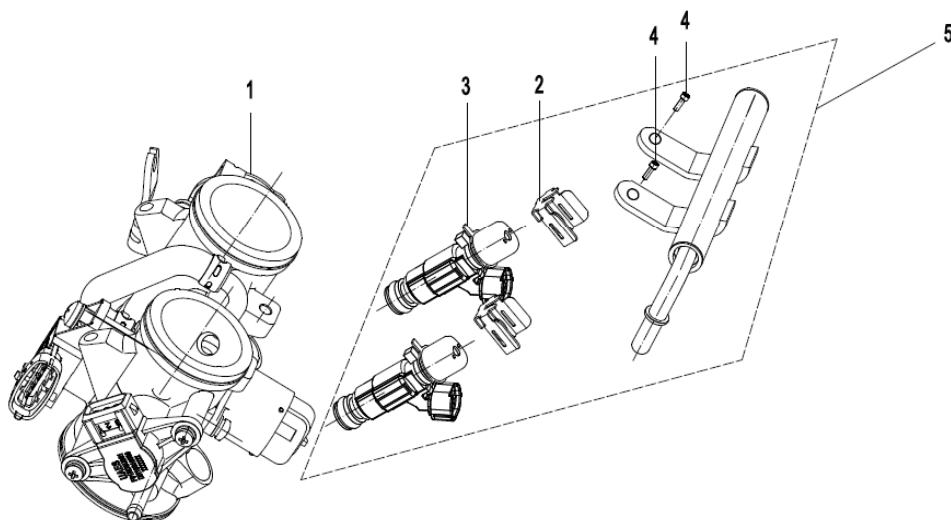
E16 平衡轴总成/BALANCER SHAFT



E17 节气门阀体和喷油器 THROTTLE&INJECTOR

Item No.	Parts Number	Parts Name(EN)	Parts Name(CN)	Qty	Remark(s)	Alternative Parts
01	0HU0-173000	THROTTLE BODY ASSY	节气门体总成	1		
02	0MQ0-171001	CIRCLIP	卡簧	2		
03	0HU0-171100	FUEL INJECTOR	喷油器	2		
04	0HU0-171300	SCREW M6	M6螺钉	2		
05	0HU0-171000	OIL TRAIL ASSY	油轨总成	1		

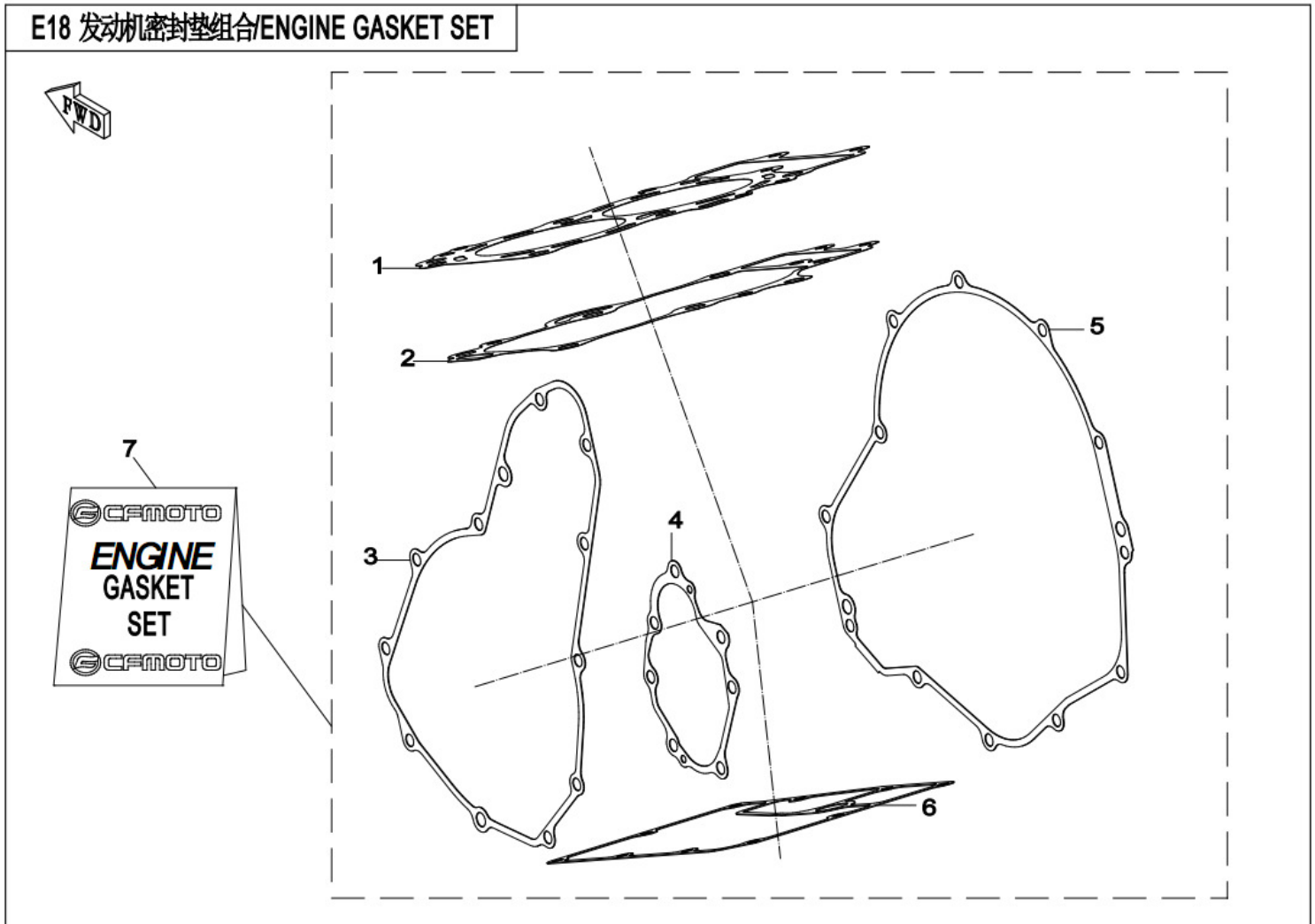
E17 节气门阀体和喷油器/THROTTLE&INJECTOR



E18 发动机密封垫组合 ENGINE GASKET SET

Item No.	Parts Number	Parts Name(EN)	Parts Name(CN)	Qty	Remark(s)	Alternative Parts
01	0700-022100-0001	GASKET KIT, CYLINDER HEAD	气缸盖垫片组件	1		
02	0700-023002-0001	GASKET, CYLINDER	气缸体垫片	1		
03	0700-014002-10000	GASKET, LH SIDE COVER	左侧盖密封垫	1		
04	0700-065202-10000	GASKET, TRANSMISSION COVER	换挡轴盖垫片	1		
05	0700-013002-10000	GASKET, RH SIDE COVER	右侧盖密封垫	1		
06	0700-015004-10000	GASKET, OIL PAN	油底壳垫片	1		
07	0700-0000A0	ENGINE GASKET SET	发动机密封垫组合	1		

E18 发动机密封垫组合/ENGINE GASKET SET



E19 发动机油封及O型圈 ENGINE OIL SEAL & O-RING SET

Item No.	Parts Number	Parts Name(EN)	Parts Name(CN)	Qty	Remark(s)	Alternative Parts
01	0700-010200	OIL SEAL 40x62x8, COUNTERSHAFT	副轴油封	1		
02	0110-013030	O-SEAL RING 18x3.55	O形密封圈	1		
03	01A0-012003	O-SEAL RING 35x3.5	O形密封圈	1		
04	0010-080009	OIL SEAL 12x20x5	油封	1		
05	0700-065220	OIL SEAL 13x22x5.5	油封	1		
06	01A0-013005	O-SEAL RING 13x2	O形密封圈	1		
07	0HU0-021300	SEAL RING, SPARK PLUG	火花塞孔密封圈组件	2		
08	0700-021400-00010	SEAL RING, CYLINDER HEAD COVER (SHU YAUN MACHINE)	气缸盖罩密封圈	1		
09	0700-021200	SEAL RING, CYLINDER HEAD COVER BOLT	气缸盖罩螺栓密封圈	4		
10	0700-022011	O-SEAL RING 44.5x2.5	O形密封圈	1		
11	0700-022400-1000	SEAL RING, VALVE STEM	气门杆密封圈组件	8		
12	0700-012701	O-SEAL RING 10x2	O型密封圈10x2	2		
13	0800-062205	O-SEAL RING 25x2	O形密封圈	1		
14	0700-070101	GASKET, OIL SUCTION PAN	吸油盘密封圈	1		
15	0700-081100	OIL SEAL 12x32x5.5	油封	1		
16	0700-081002	SEAL RING, WATER PUMP HOUSING	水泵体密封圈	1		
17	0700-080002	SEAL RING, WATER PUMP COVER	水泵盖密封圈	1		
18	0180-080002	O-RING 34x2.5	O形圈	1		
19	0700-070003	O-SEAL RING 14x2.5	O形密封圈	2		
20	0700-012201	O-SEAL RING 5x2	O形密封圈	3		
21	0700-011202	O-SEAL RING 8.2x1.90	O型密封圈	3		
22	0HU0-0000B0	OIL SEAL%O-RING, ENGINE	发动机油封及O型圈	1		

E19 发动机油封及O型圈/ENGINE OIL SEAL & O-RING SET

