

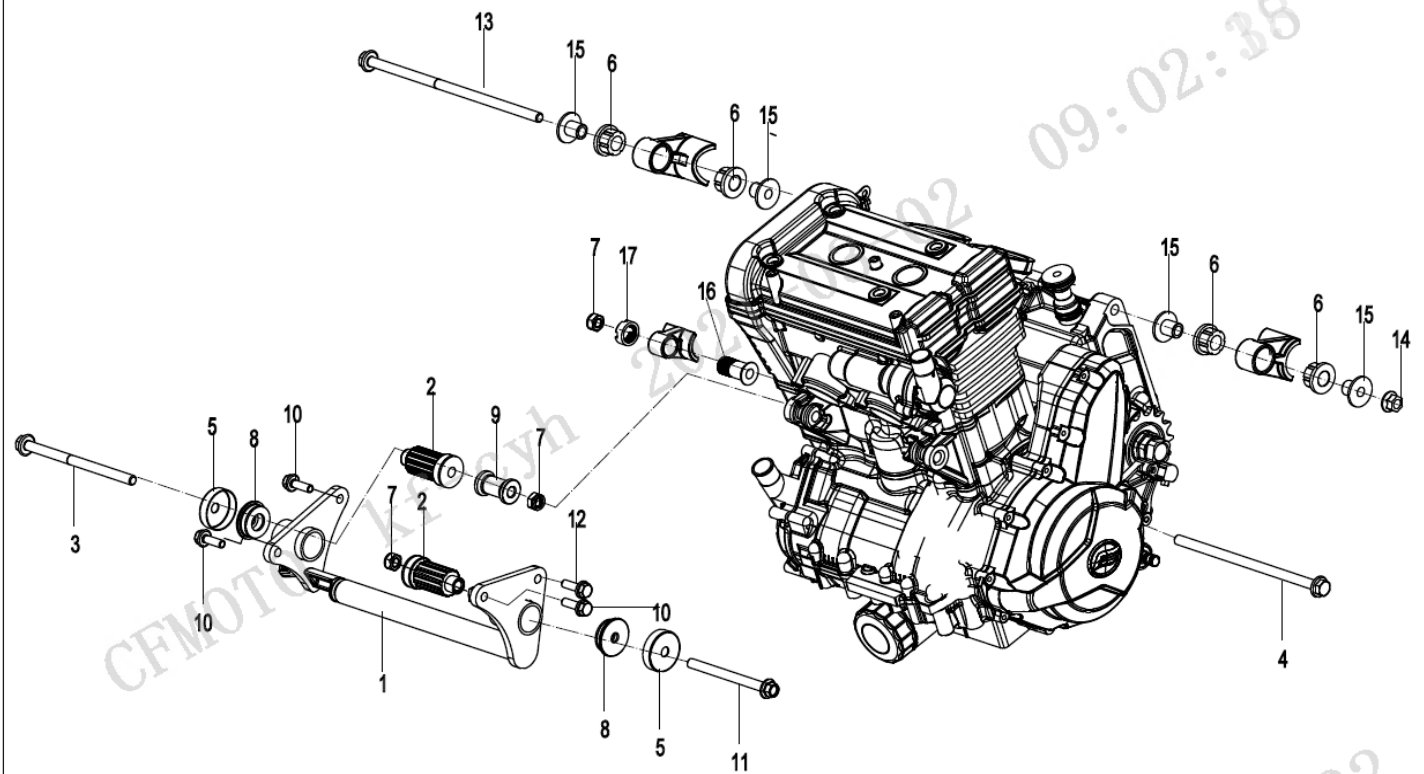
Block No.	Parts Name(CN)	Parts Name(EN)
F00	发动机安装附件	ENGINE FITTINGS
F01	锁具	LOCK KIT
F02-A	消声器	MUFFLER
F03	车架	FRAME
F04-1	塑料件1	PLASTICS 1
F04-2	塑料件2	PLASTICS 2
F04-3	塑料件3	PLASTICS 3
F04-4	塑料件4	PLASTICS 4
F04-5	塑料件5	PLASTICS 5
F05	前悬架	FRONT SUSPENSION
F06	后悬架	REAR SUSPENSION
F07-A	前轮	FRONT WHEEL
F08-1	制动系统	BRAKE SYSTEM
F08-2	制动系统	BRAKE SYSTEM
F10-B	转向系统	STEERING SYSTEM
F11-A	后轮	REAR WHEEL
F12	油箱	FUEL TANK
F13	座垫	SEAT
F14	后扶手与脚蹬	REAR HANDRAIL&FOOTREST
F15	电器系统	ELECTRIC SYSTEM
F16-V2	灯具	LIGHTS
F17-A	仪表	DASHBOARD
F18	冷却系统	COOLING SYSTEM
F19-1-V2	警告贴花	WARNING DECAL
F19-2-A	个性贴花(星光白)	DECAL KITS(NEBULA WHITE)
F19-2-C	个性贴花(骑士黑)	DECAL KITS (KNIGHT BLACK)
F20	随车工具	TOOLS
F22	边箱(塑料)	SIDE BOXES(PLASTIC)
F36	燃油蒸发系统	FUEL VAPORIZATION SYSTEM
F38-A	说明书	OWNER'S MANUAL
F38-B	说明书(德语)	OWNER'S MANUAL(GERMAN)
F41	空滤器	AIR FILTER
F88	欧五 A2状态专用件	EU5 A2 PARTS
F89	欧五 A3状态专用件	EU5 A3 PARTS
E01-1	上&下曲轴箱分总成	UPPER & LOWER CRANKCASE
E01-2	右&左侧盖分总成	RIGHT&LEFT SIDE COVER
E01-3	油底壳分总成	OIL PAN
E02-1	气缸盖罩分总成	CYLINDER HEAD COVER
E02-2	气缸盖分总成 (1)	CYLINDER HEAD (1)
E02-3	气缸盖分总成 (2)	CYLINDER HEAD (2)
E02-4	气缸体分总成	CYLINDER BODY
E02-5	配气传动分总成	CAMSHAFT
E03	磁电机总成	MAGNETO
E04-1	曲轴连杆总成 (1)	CRANKSHAFT &CONNECTING ROD (1)
E04-2	曲轴连杆总成 (2)	CRANKSHAFT &CONNECTING ROD (2)
E05	离合器总成	CLUTCH
E06-1	换档变速总成 (1)	TRANSMISSION SYSTEM (1)
E06-2	换档变速总成 (2)	TRANSMISSION SYSTEM (2)
E06-3	换档变速总成 (3)	TRANSMISSION SYSTEM (3)
E06-3-V2	换档变速总成 (3)	TRANSMISSION SYSTEM (3)
E07	润滑系统	LUBRICATION SYSTEM

E08	水泵总成	WATER PUMP
E09	启动系统	STARTING SYSTEM
E16	平衡轴总成	BALANCER SHAFT
E17	节气门阀体和喷油器	THROTTLE&INJECTOR
E18	发动机密封垫组合	ENGINE GASKET SET

F00 发动机安装附件 ENGINE FITTINGS

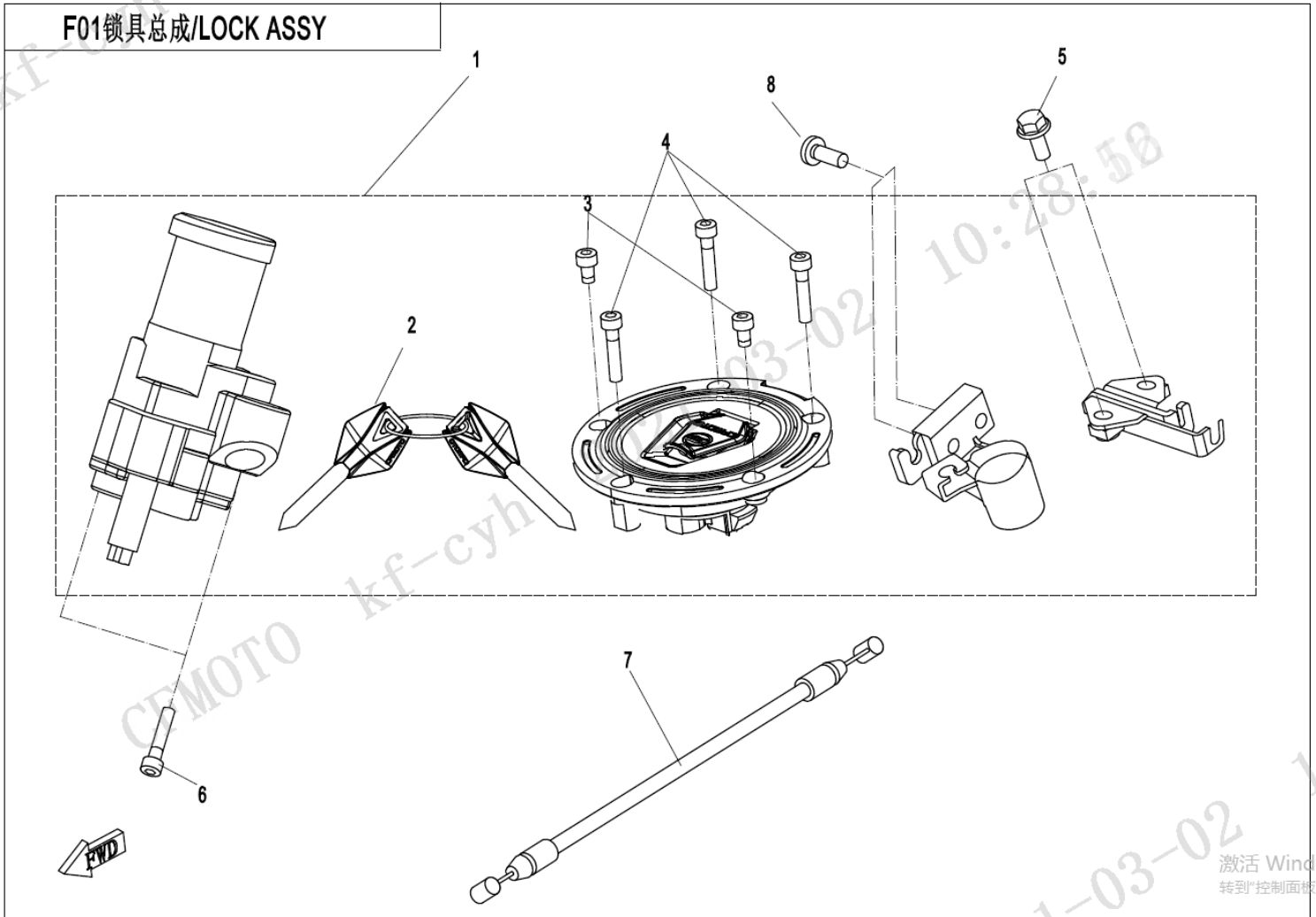
Item No.	Parts Number	Parts Name(EN)	Parts Name(CN)	Qty	Remark(s)	Alternative Parts
01	6NT1-000210-0BB00	FRONT BRACKET ASSY, ENGINE (PLASTIC POWDER)	发动机前安装支架组合	1		
02	6NT1-000240	FRONT LH CUSHION RUBBER 1, ENGINE	发动机前左缓冲橡胶组合 I	2		
03	30001-102150110	BOLT M10x1.25x150	螺栓	1		
04	6NT1-000141	REAR LOWER SHAFT, ENGINE	发动机后下安装轴	1		
05	6NT1-000231	FRONT DUST COVER, ENGINE	发动机前缓冲橡胶防尘盖	2		
06	6NT1-000281	REAR UPPER RUBBER, ENGINE	发动机后上缓冲橡胶	4		
07	30203-102110	NUT M10x1.25	螺母	3		
08	6NT1-000250	FRONT LH CUSHION RUBBER 2, ENGINE	发动机前左缓冲橡胶组合 II	2		
09	6NT1-000221	FRONT RH BUSHING, ENGINE	发动机前右安装衬套	1		
10	30006-080025810	BOLT M8x25	螺栓	3		
11	30001-102110110	BOLT M10x1.25x110	螺栓	1		
12	30006-080020810	BOLT M8x20	螺栓	1		
13	6NT1-000131	REAR UPPER SHAFT, ENGINE	发动机后上安装轴	1		
14	30204-102810	NUT M10x1.25	螺母	2		
15	6NT1-000282	REAR UPPER RUBBER BUSHING, ENGINE	发动机后上缓冲橡胶衬套	4		
16	6NT1-000291	REAR LOWER THREAD SLEEVE, ENGINE	发动机后下安装螺纹套	1		
17	6NT1-000292	NUT M18	开槽圆螺母	1		

发动机安装附件/ENGINE FITTINGS



F01 锁具 LOCK KIT

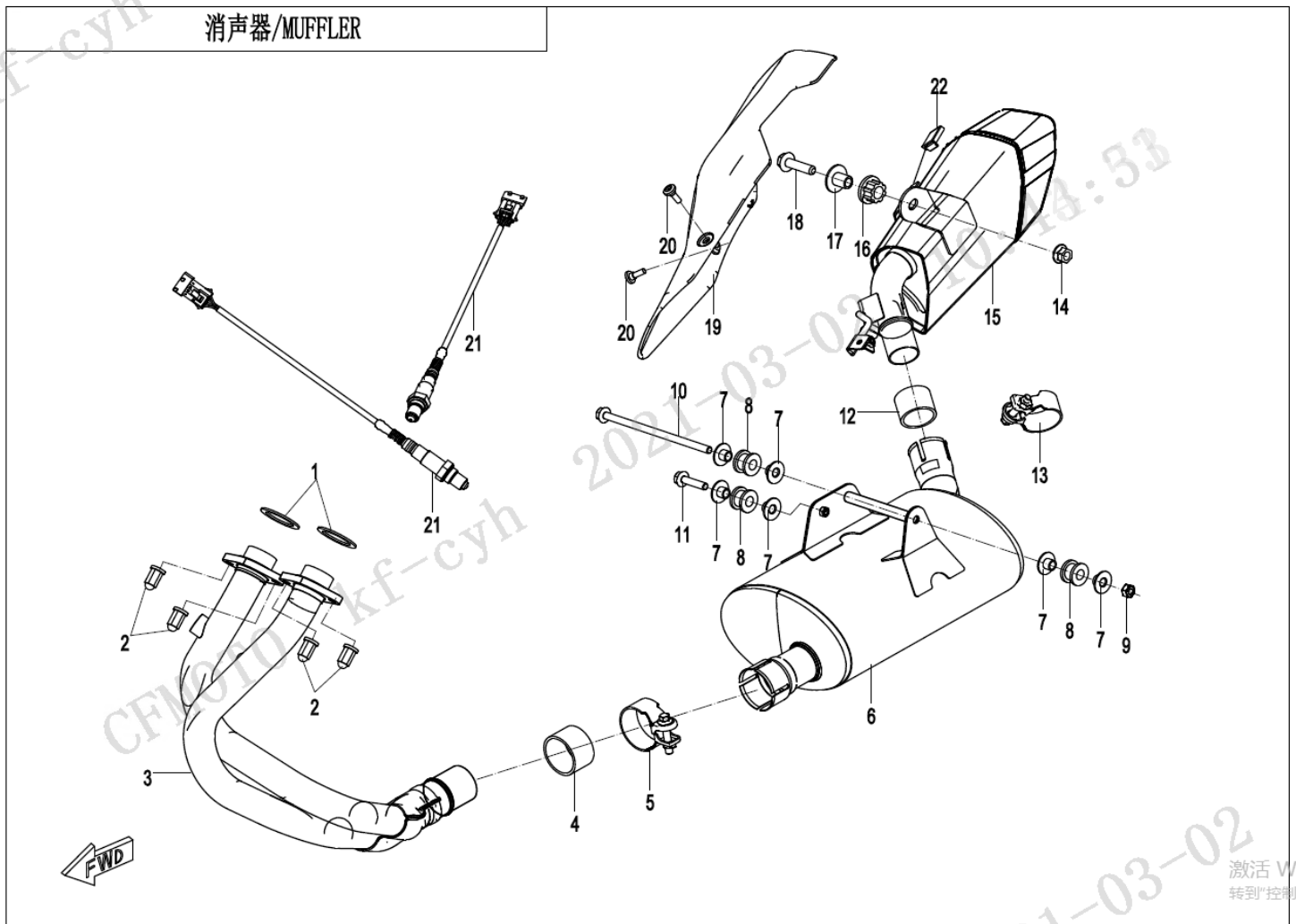
Item No.	Parts Number	Parts Name(EN)	Parts Name(CN)	Qty	Remark(s)	Alternative Parts
01	6NQV-011000-6400-M1	LOCK KIT	锁具组合	1		6NQV-011000-6401-M1
01	6NQV-011000-6401-M1	LOCK KIT	锁具组合	1		
02	6NQ0-011001-0MP00	KEY (BLANK)	钥匙	2		
02	6KMV-011020-B001	KEY	钥匙	2		
03	30102-050008900	INNER HEX SCREW M5x8	内六角圆柱头螺钉	2		
04	30102-050025900	INNER HEX SCREW M5x25	内六角圆柱头螺钉	3		
05	30006-060012870	BOLT M6x12	螺栓	2		
06	30102-060020810	SCREW M6x20	螺钉	2		
07	6NQ#-010500-6000	CABLE, REAR SEAT	后座垫拉索	1		
08	30110-421130010	SELF-TAPPING SCREW ST4.2x13	自攻螺钉	2		



激活 Windc
转到“控制面板”

F02-A 消声器 MUFFLER

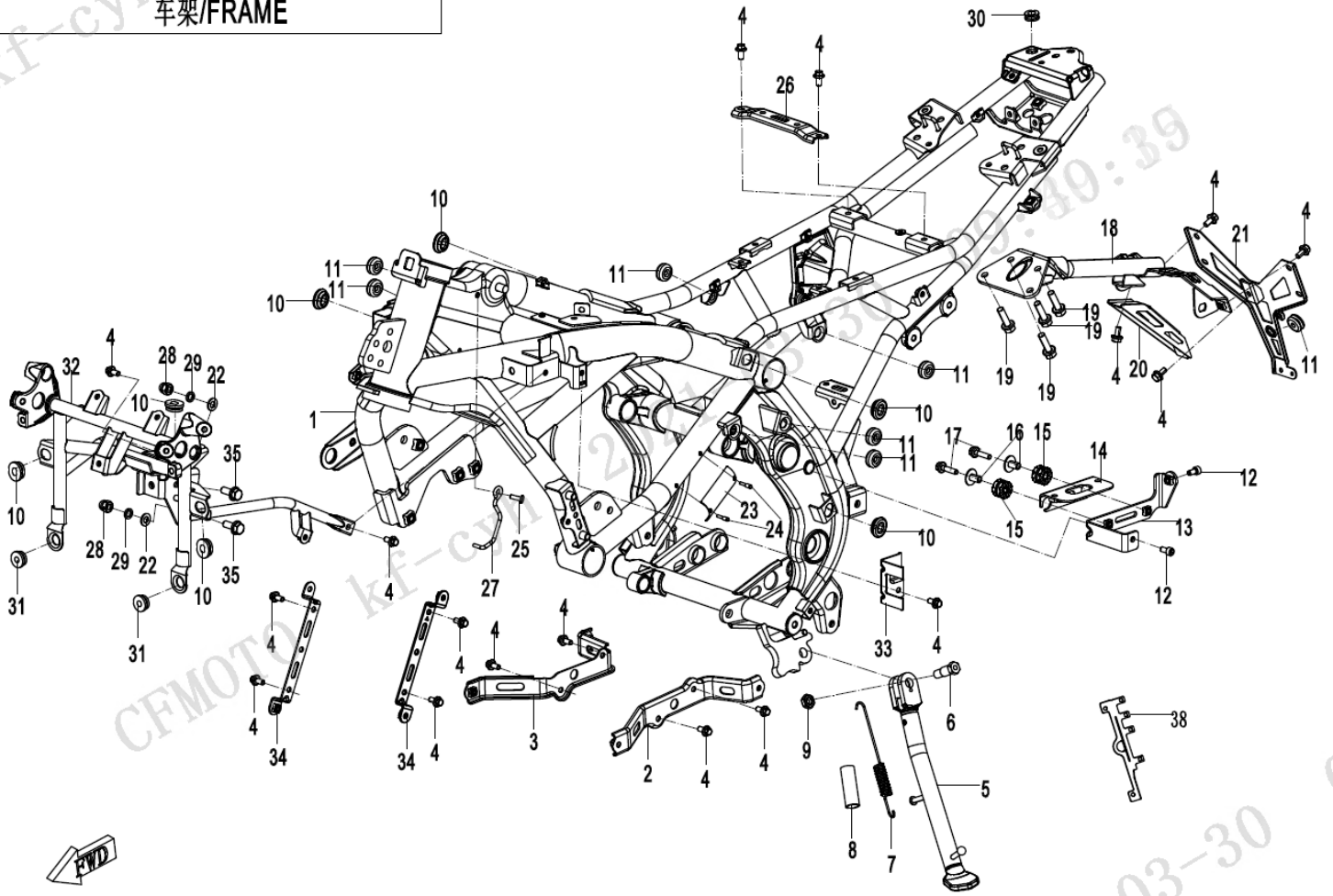
Item No.	Parts Number	Parts Name(EN)	Parts Name(CN)	Qty	Remark(s)	Alternative Parts
01	0700-022012	GASKET, EXHAUST PIPE	排气管衬垫	2		
02	8010-020001	NUT M8, MUFFLER JOINT	消声器接头螺母M8	4		
03	6NTV-021100-B001	EXHAUST PIPE ASSY	排气管焊接组件	1		
03	6NTV-021100-B002	EXHAUST PIPE ASSY	排气管焊接组件	1		
04	6NQV-021001-B000	SEAL SLEEVE 1, GRAPHITE	石墨密封套 I	1		
05	A000-020600	CLAMP 2	卡箍组件 II	1		
06	6NTV-021200-D002	MUFFLER ASSY	消声器主筒组件	1		
07	A000-020005	BUSHING	衬套	6		
08	A000-020004	DAMPER, MUFFLER	消声器缓冲套	3		
09	30204-080810	NUT M8	螺母	1		
10	A000-020006	SHAFT, MUFFLER	消声器安装轴	1		
11	30006-080035810	BOLT M8x35	螺栓	1		
12	A000-020003	SEAL SLEEVE, GRAPHITE 2	石墨密封套 II	1		
13	A000-020500	CLAMP 1	卡箍组件 I	1		
14	30204-102810	NUT M10x1.25	螺母	1		
15	6NQ#-021200-6000	TAIL ASSY, MUFFLER	消音器尾筒组件	1		
16	6NT1-000281	REAR UPPER RUBBER, ENGINE	发动机后上缓冲橡胶	1		
17	6NQ#-000201-6001	REAR UPPER RUBBER BUSHING, ENGINE	发动机后上缓冲橡胶衬套	1		
18	30006-102040860	BOLT M10x1.25x40	螺栓	1		
19	6NQ#-020001-6001	DECO GUARD, TAIL	尾筒装饰罩	1		
20	6NQ#-000205-6001	MOUNTING SCREW, CHAIN GUARD	链条护卡安装螺钉	2		
21	0HU0-176000	OXYGEN SENSOR	氧传感器	2		
22	6KM0-021001	RUBBER COLLAR	橡胶套	1		



F03 车架 FRAME

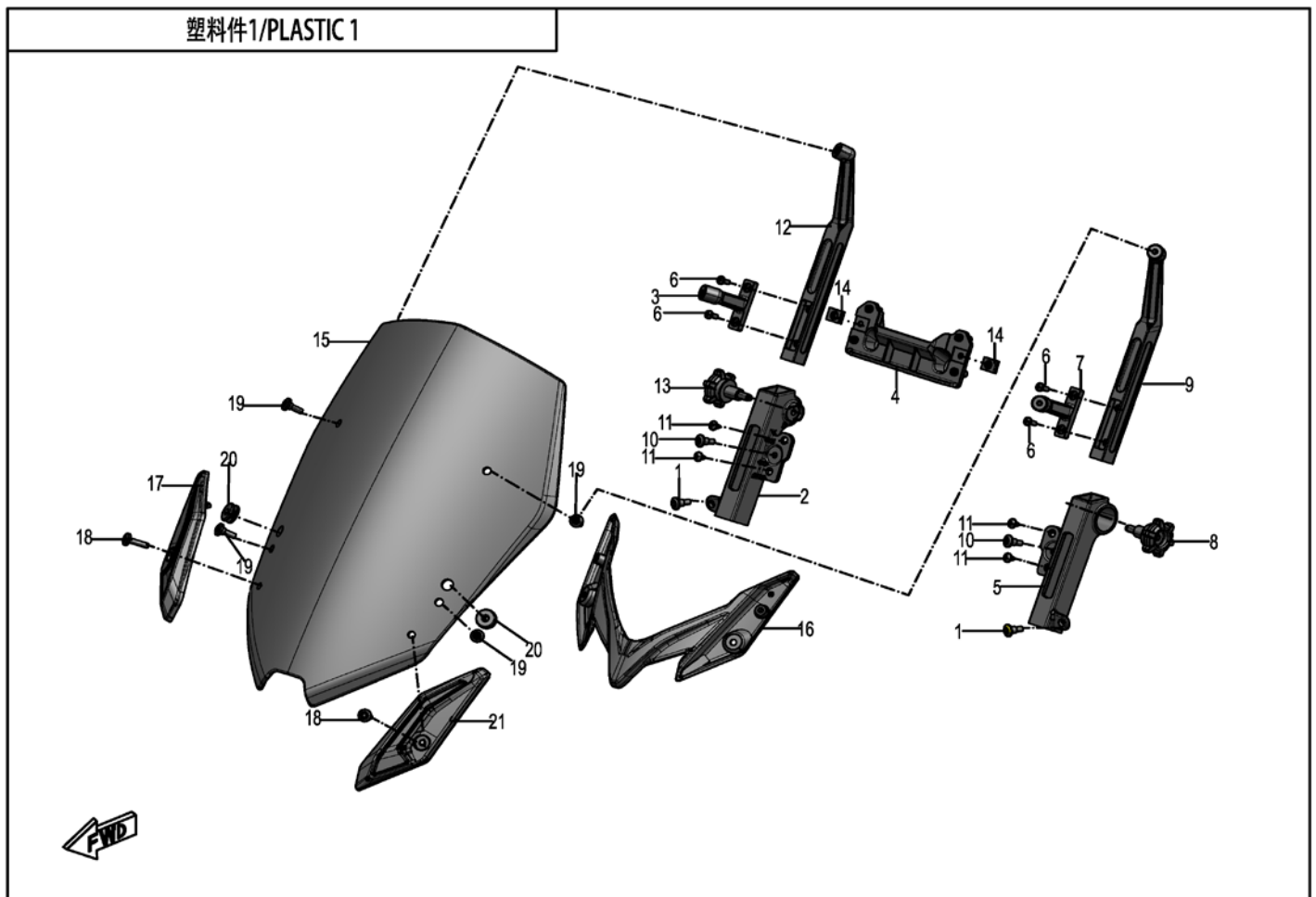
Item No.	Parts Number	Parts Name(EN)	Parts Name(CN)	Qty	Remark(s)	Alternative Parts
01	6NTV-031000-D200-01-0BP00	FRAME ASSY (MAUD SPIRIT BLACK)	车架焊接组件	1		
02	6NQ#-030030-6000	LH BRACKET, LOWER DEFLECTOR	左下导流罩安装支架	1		
03	6NQ#-030040-6001	BRACKET, RH LOWER DEFLECTOR	右下导流罩安装支架	1		
04	30006-060012870	BOLT M6x12	螺栓	18		
05	6NQ#-030190-6000	SIDE STAND	侧支架焊接组合	1		
06	A000-030006	BOLT, SIDE STAND	侧支架螺栓	1		
07	A000-030210	SPRING, SIDE STAND	边撑弹簧组合	1		
08	A000-030004	SPRING COLLAR, SIDE STAND	边撑弹簧护套	1		
09	30208-102810	NUT M10x1.25	螺母	1		
10	8080-040064	DAMPER, FRONT FENDER	前围缓冲橡胶套	7		
11	A000-040302	RUBBER DAMPER	油箱外护罩缓冲橡胶	7		
12	30102-060012810	SCREW	螺钉	2		
13	6NQ#-030080-6000	MOUNTING SEAT, REGULATOR	整流器安装座	1		
14	A000-030130	BRACKET 2, REGULATOR	调压器安装支架组合	1		
15	5020-031001	RUBBER SLEEVE, FRONT LICENSE BRACKET	前牌照支架橡胶胶套	2		
16	5020-031002	RUBBER SLEEVE LINER, FRONT LICENSE BRACKET	前牌照支架橡胶套衬套	2		
17	30006-060025870	BOLT M6x25	螺栓	2		
18	6NT1-030100-0BB00	BRACKET, REAR FENDER (PLASTIC POWDER)	后挡泥板支架焊接组件	1		
19	30006-080028810	BOLT M8x28	螺栓	4		
20	6KJ0-030601-0BB0	SUPPORT PLATE, REAR LICENCE (PLASTIC POWDER)	后牌照支撑板	1		
21	6KJ0-030200-0BB0	BRACKET, REAR LICENCE (PLASTIC POWDER)	后牌照安装支架	1		
22	30306-080112	WASHER 8	垫圈	2		
23	6NTV-190011-D001	VEHICLE PLATE	车辆铭牌	1		
24	30902-0420820	BLIND RIVET 4.2x8	抽芯铆钉	2		30902-0400820
25	A000-040702	INNER HEX SCREW M6x12	内六角螺钉M6x12	1		6KM#-040702-8000
26	6NQ#-030060-6000	MOUNTING SEAT, FUEL TANK	油箱安装座	1		
27	A000-030001	LH CLAMP, MAIN CABLE	主电缆左线夹	1		
28	30206-080510	NUT M8	盖形螺母	2		
29	30303-080112	WASHER 8	垫圈	2		
30	5BY0-040010	RUBBER SLEEVE	橡胶套	1		
31	0180-015003	RUBBER SLEEVE	橡胶套	2		
32	6NQ#-030400-6002	FRONT BRACKET ASSY	前支架焊接组件	1		
33	6NT1-030001	BRACKET, CANISTER	碳罐安装支架	1		
34	6NQ#-030050-6000	MOUNTING SEAT, FRONT FENDER	前挡泥板安装座	2		
35	30006-080020810	BOLT M8x20	螺栓	2		
36	6KJ0-030920	MOUNTING SEAT, RH REFLECTOR	后反射器安装座	1		
37	30006-050020810	BOLT M5x20	螺栓	1		
38	6NTV-030010-C000	BRACKET, CONNECTOR	接插件固定支架	1		

车架/FRAME



F04-1 塑料件1 PLASTICS 1

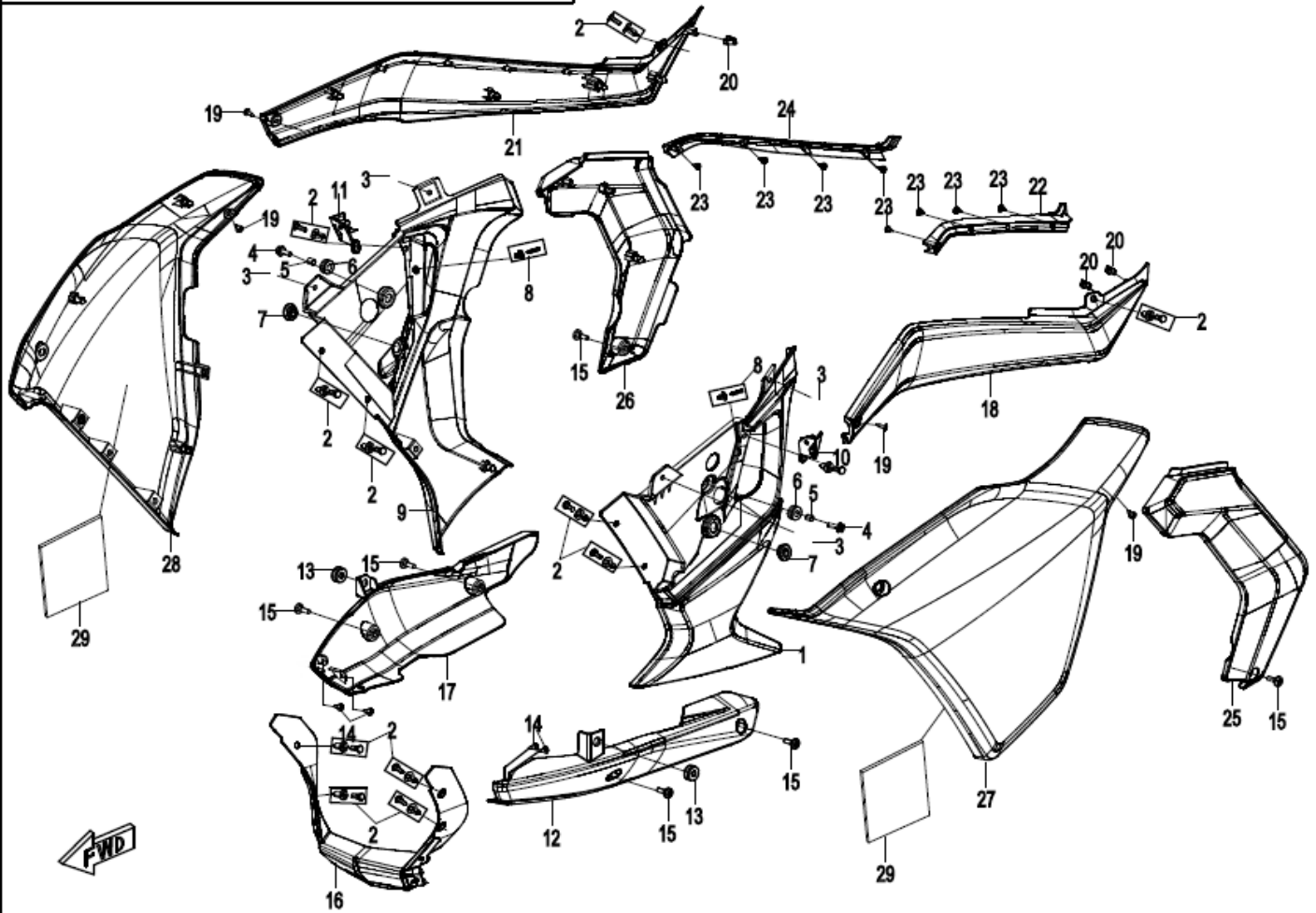
Item No.	Parts Number	Parts Name(EN)	Parts Name(CN)	Qty	Remark(s)	Alternative Parts
01	30006-060020870	BOLT M6x20	螺栓	2		
02	6NQ#-040102-6000	RH BRACKET, WINDSHIELD	风挡右支架	1		
03	6NQ#-040109-6000	RH LOWER FIXING ROD, WINDSHIELD	挡风玻璃右下固定杆	1		
04	6NQ#-040111-6001	CONNECTING PLATE, WINDSHIELD	风挡连接板	1		
05	6NQ#-040101-6000	LH BRACKET, WINDSHIELD	风挡左支架	1		
06	30112-050016440	SCREW ASSY M5x16	螺钉组合件	4		
07	6NQ#-040108-6000	LH LOWER FIXING ROD, WINDSHIELD	挡风玻璃左下固定杆	1		
08	6NQ#-040103-6000	KNOB(LEFT HEAD-THREAD), WINDSHIELD	风挡左旋钮组件	1		
09	6NQ#-040104-6000	LH SUPPORTING ROD, WINDSHIELD	风挡左支杆	1		
10	8010-000004	BOLT M6x14	凸缘螺栓M6x14	2		
11	30110-481130010	SELF-TAPPING SCREW ST4.8x13	自攻螺钉	4		
12	6NQ#-040105-6000	RH SUPPORTING ROD, WINDSHIELD	风挡右支杆	1		
13	6NQ#-040113-6000	KNOB(RIGHT HEAD-THREAD), WINDSHIELD	风挡右旋钮组件	1		
14	8030-040800-00001	NUT CLIP M6	M6螺母夹	2		
15	6NQ#-040051-6000	WINDSHIELD	挡风玻璃	1		
16	6NQ#-040041-6000	LOWER PLATE, WINDSHIELD	挡风玻璃下盖板	1		
17	6NQ#-040043-6001	RH COVER PLATE, WINDSHIELD	挡风玻璃右盖板	1		
18	6NTG-200424	INNER HEX SCREW M6x25	内六角螺钉M6x25	2		
19	A000-060002	SCREW, CHAIN GUARD	链条护卡安装螺钉	4		
20	A000-040302	RUBBER DAMPER	油箱外护罩缓冲橡胶	2		
21	6NQ#-040042-6001	LH COVER PLATE, WINDSHIELD	挡风玻璃左盖板	1		



F04-2 塑料件2 PLASTICS 2

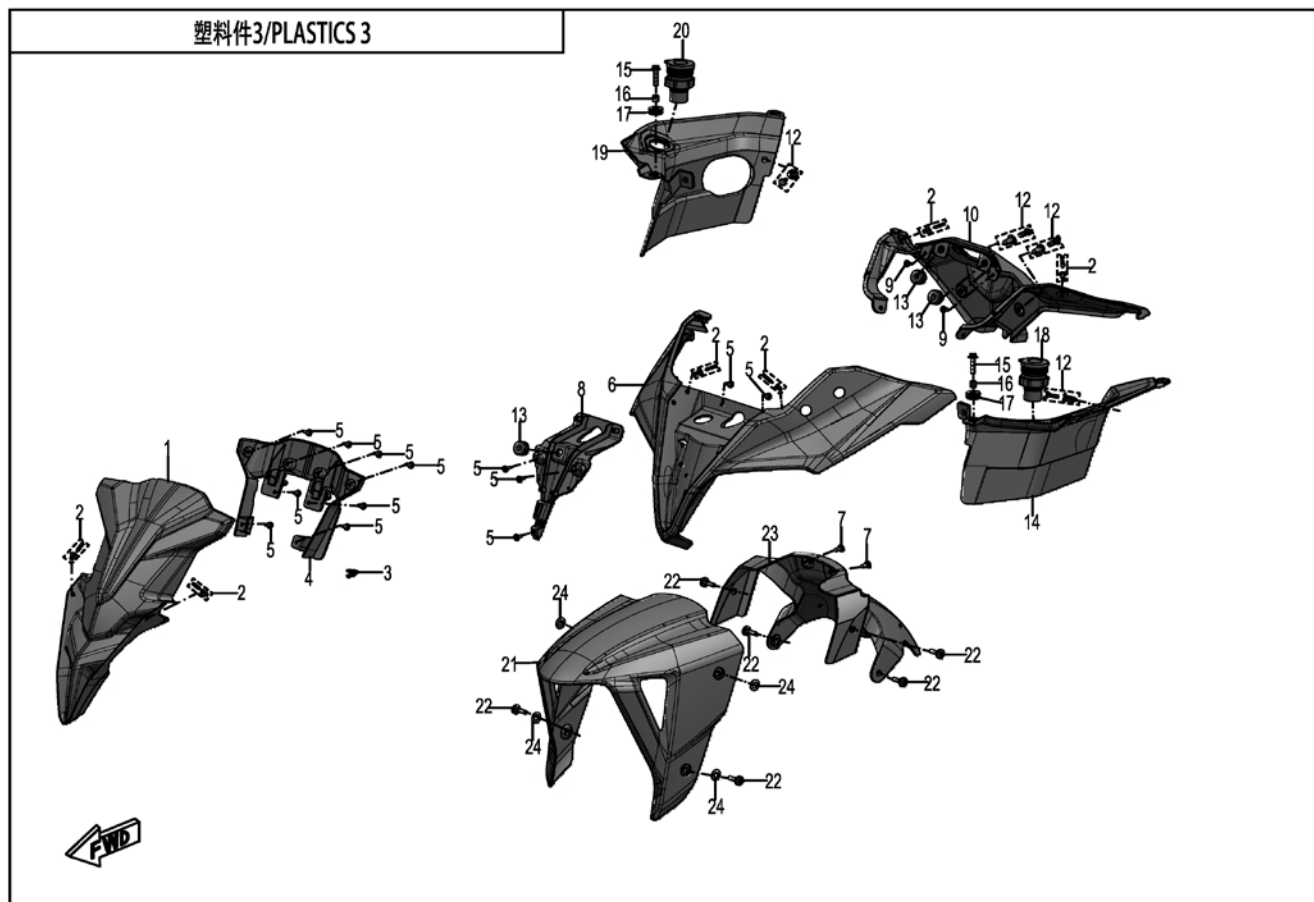
Item No.	Parts Number	Parts Name(EN)	Parts Name(CN)	Qty	Remark(s)	Alternative Parts
01	6NQ#-040014-6000	LH INNER PANEL, RESERVOIR TANK	水箱左内护板	1		
02	9060-040310	PLASTIC CLIPS	塑料卡组合	12		
03	30016-060016810	BOLT M6x16	螺栓	4		30102-060025810
04	30006-060020870	BOLT M6x20	螺栓	2		
05	6090-040303	BUSHING	衬套	2		
06	6090-040302	RUBBER DAMPER	缓冲胶套	2		
07	8080-040064	DAMPER, FRONT FENDER	前围缓冲橡胶套	2		
08	8080-041130	PLASTIC SCREW	塑料膨胀螺钉组合	2		
09	6NQ#-040015-6000	RH INNER PANEL, RESERVOIR TANK	水箱右内护板	1		
10	6NQ#-040036-6000	SHADING STRIP, RESERVOIR TANK LH OUTER PANEL	水箱左外护板遮光片	1		
11	6NQ#-040037-6000	SHADING STRIP, RESERVOIR TANK RH OUTER PANEL	水箱右外护板遮光片	1		
12	6NQ#-040016-6000	LH PANEL, ENGINE	发动机左护板	1		
13	A000-040302	RUBBER DAMPER	油箱外护罩缓冲橡胶	2		
14	30110-420160010	SELF-TAPPING SCREW ST4.2x16	自攻螺钉	4		
15	6NQ#-000205-6001	MOUNTING SCREW, CHAIN GUARD	链条护卡安装螺钉	6		
16	6NQ#-040017-6001	MIDDLE PANEL, ENGINE	发动机中护板	1		
17	6NQ#-040018-6000	RH PANEL, ENGINE	发动机右护板	1		
18	6NQ#-040019-6002-0BM00	LH PANEL (NEBULA BLACK)	左护板	1		
19	30110-481130010	SELF-TAPPING SCREW ST4.8x13	自攻螺钉	4		
20	8080-000001	CLASP	卡扣	3		
21	6NQ#-040021-6001-0BM00	RH PANEL (NEBULA BLACK)	右护板	1		
22	6NQ#-040038-6000	SHADING STRAP, LH PANEL	左护板遮光条	1		
23	30110-420095010	SELF-TAPPING SCREW ST4.2x9.5	自攻螺钉	8		
24	6NQ#-040039-6000	SHADING STRAP, RH PANEL	右护板遮光条	1		
25	6NQ#-040022-6000	LH PANEL, FRAME	车架左护板	1		
26	6NQ#-040023-6000	RH PANEL, FRAME	车架右护板	1		
27	6NQ#-040012-6001-0VE00	LH OUTER PANEL, RESERVOIR TANK (NEBULA WHITE)	水箱左外护板	1		
27	6NQ#-040012-6001-0HD00	LH OUTER PANEL, RESERVOIR TANK	水箱左外护板	1		
28	6NQ#-040013-6001-0HD00	RH OUTER PANEL, RESERVOIR TANK	水箱右外护板	1		
28	6NQ#-040013-6001-0VE00	RH OUTER PANEL, RESERVOIR TANK (NEBULA WHITE)	水箱右外护板	1		
29	5270-150002	FOAM (FR &RR), BATTERY	蓄电池泡沫垫前后	2		

塑料件2/PLASTICS 2



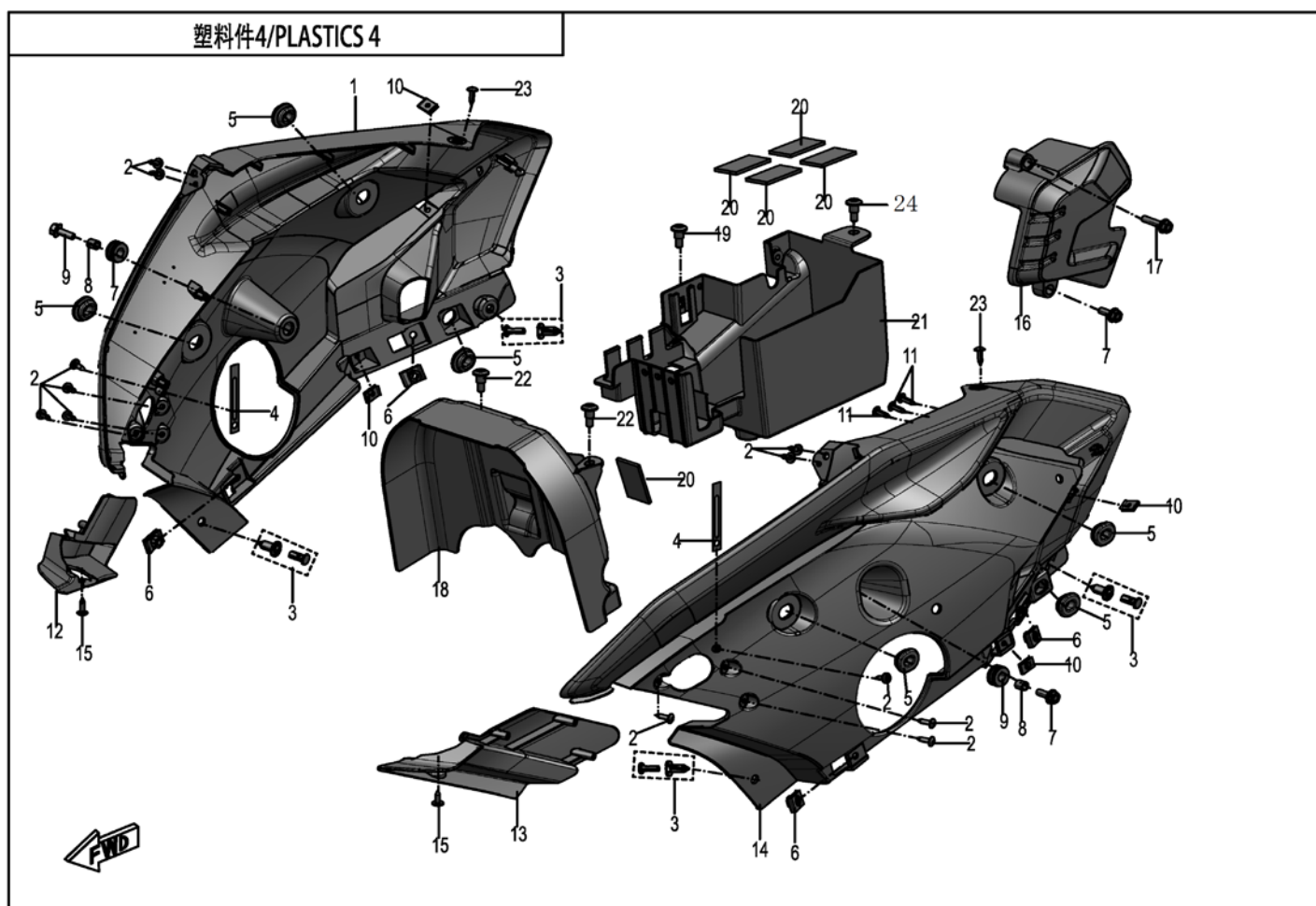
F04-3 塑料件3 PLASTICS 3

Item No.	Parts Number	Parts Name(EN)	Parts Name(CN)	Qty	Remark(s)	Alternative Parts
01	6NQ#-040005-6001	UPPER PANEL, HEADLIGHT	前照灯上护板	1		
02	8080-041130	PLASTIC SCREW	塑料膨胀螺钉组合	6		
03	8080-000001	CLASP	卡扣	1		
04	6NQ#-040006-6000	INNER LINER, HEADLIGHT UPPER PANEL	前照灯上护板内衬	1		
05	30110-421130010	SELF-TAPPING SCREW ST4.2x13	自攻螺钉	8		
06	6NQ#-040004-6000-0BV00	FRONT PANEL, HEADLIGHT	前照灯前护板	1		
06	6NQ#-040004-6000-0VE00	FRONT PANEL, HEADLIGHT (NEBULA WHITE)	前照灯前护板	1		
07	30110-420160010	SELF-TAPPING SCREW ST4.2x16	自攻螺钉	2		
08	6NQ#-040034-6000	BRACKET, HEADLIGHT FRONT PANEL	前照灯前护板安装板	1		
09	30110-480160010	SELF-TAPPING SCREW ST4.8x16	自攻螺钉	2		
10	6NQ#-040001-6000	LOWER COVER, DASHBOARD	仪表下罩 (彩屏)	1		
11	30110-481130010	SELF-TAPPING SCREW ST4.8x13	自攻螺钉	2		
12	9060-040310	PLASTIC CLIPS	塑料卡组合	4		
13	A000-040302	RUBBER DAMPER	油箱外护罩缓冲橡胶	3		
14	6NQ#-040002-6002	LH FRONT INNER PANEL	左前内护板	1		
15	30006-060020870	BOLT M6x20	螺栓	2		
16	6090-040303	BUSHING	衬套	2		
17	6090-040302	RUBBER DAMPER	缓冲胶套	2		
18	6NQ#-150600-6001	OUTLET SEAT, USB	USB输出座组合	1		
19	6NQ#-040003-6002	RH FRONT INNER PANEL	右前内护板	1		
20	6NQ#-150500-6001	OUTLET SEAT, POWER	电源输出座组合	1		
21	6NQ#-040029-6000-0VE00	FRONT PART, FRONT FENDER	前挡泥板前段	1		
21	6NQ#-040029-6000-0BV00	FRONT PART, FRONT FENDER	前挡泥板前段	1		
22	6NQ#-000205-6001	MOUNTING SCREW, CHAIN GUARD	链条护卡安装螺钉	6		
23	6NQ#-040031-6000	REAR PART, FRONT FENDER	前挡泥板后段	1		
24	6NTG-050002	NYLON GASKET Dia 8	尼龙垫圈Φ8	4		



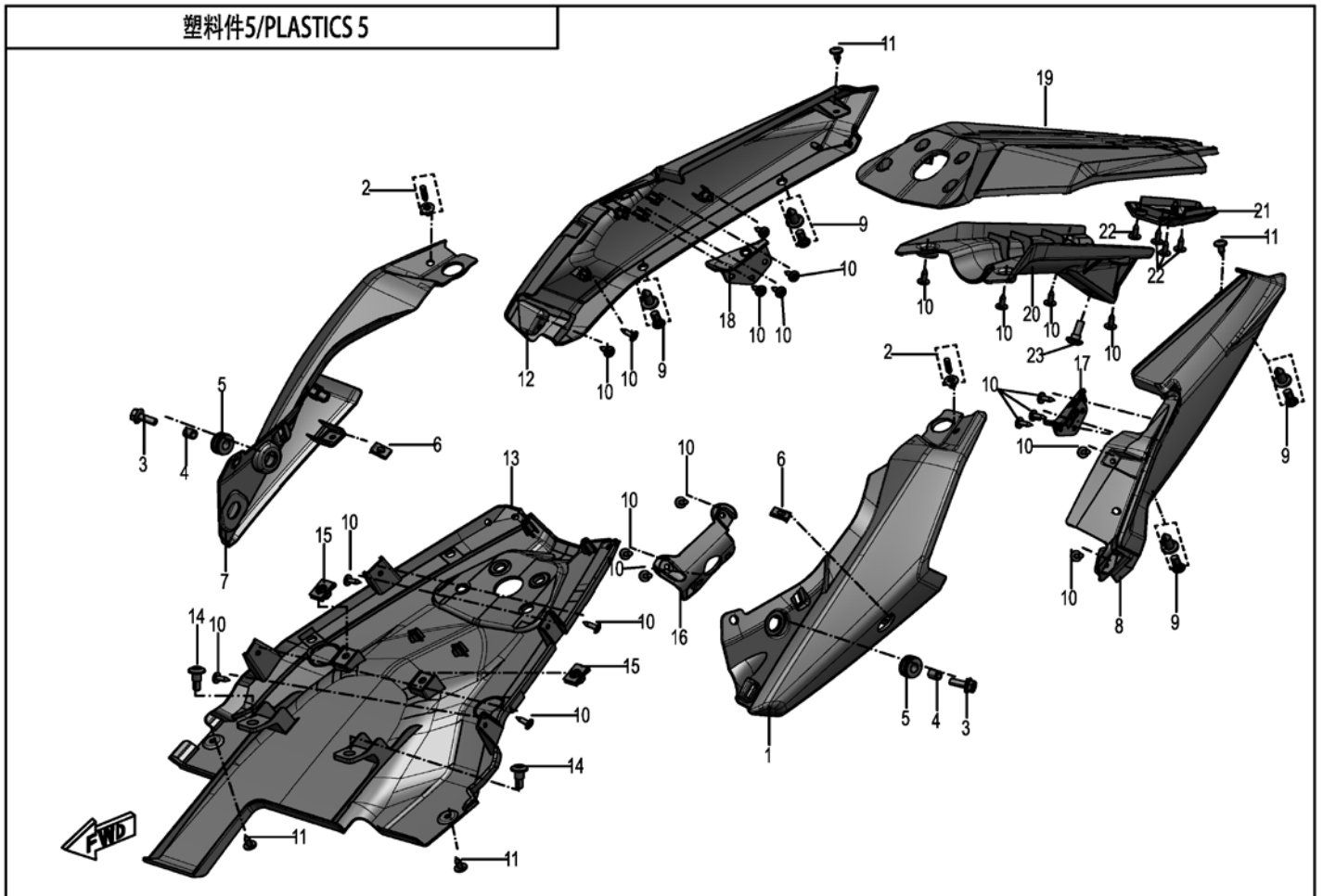
F04-4 塑料件4 PLASTICS 4

Item No.	Parts Number	Parts Name(EN)	Parts Name(CN)	Qty	Remark(s)	Alternative Parts
01	6NQ#-040008-6003	RH FRONT PANEL	右前护板	1		
02	30110-421130010	SELF-TAPPING SCREW ST4.2x13	自攻螺钉	12		
03	9060-040310	PLASTIC CLIPS	塑料卡组合	4		
04	0180-014010	WIRE CLAMP	线夹组合	2		
05	8080-040064	DAMPER, FRONT FENDER	前围缓冲橡胶套	6		
06	8030-040800-00001	NUT CLIP M6	M6螺母夹	4		
07	30006-060020870	BOLT M6x20	螺栓	3		
08	6090-040303	BUSHING	衬套	2		
09	6090-040302	RUBBER DAMPER	缓冲胶套	2		
10	8080-000002	CLIP NUT ST4.8	夹板ST4.8	4		
11	30110-420250010	SELF-TAPPING SCREW ST4.2x25	自攻螺钉	3		
12	6NQ#-040011-6000	INNER LINER, RH FRONT PANEL	右前护板内衬	1		
13	6NQ#-040009-6000	INNER LINER, LH FRONT PANEL	左前护板内衬	1		
14	6NQ#-040007-6003	LH FRONT PANEL	左前护板	1		
15	30110-420160010	SELF-TAPPING SCREW ST4.2x16	自攻螺钉	2		
16	6NQ#-000102-6000	COVER, SMALL SPROCKET	小链轮护罩	1		
17	30006-060030870	BOLT M6x30	螺栓	1		
18	6NQ#-040044-6001	RADIATOR FAN GUARD	散热器风扇罩	1		
19	6NQ#-000203-6001	INNER HEX SCREW M6x20	内六角螺钉M6x20	1		
20	9010-120008	SPONGE PAD, FUEL TANK	油箱海绵块	5		
21	6NQV-040032-6200	BATTERY BOX	电池盒	1		
22	8010-000004	BOLT M6x14	凸缘螺栓M6x14	2		
23	6NQ#-000206-6001	INNER HEX SCREW M6x16	内六角螺钉M6x16	2		
24	A000-060002	SCREW, CHAIN GUARD	链条护卡安装螺钉	1		



F04-5 塑料件5 PLASTICS 5

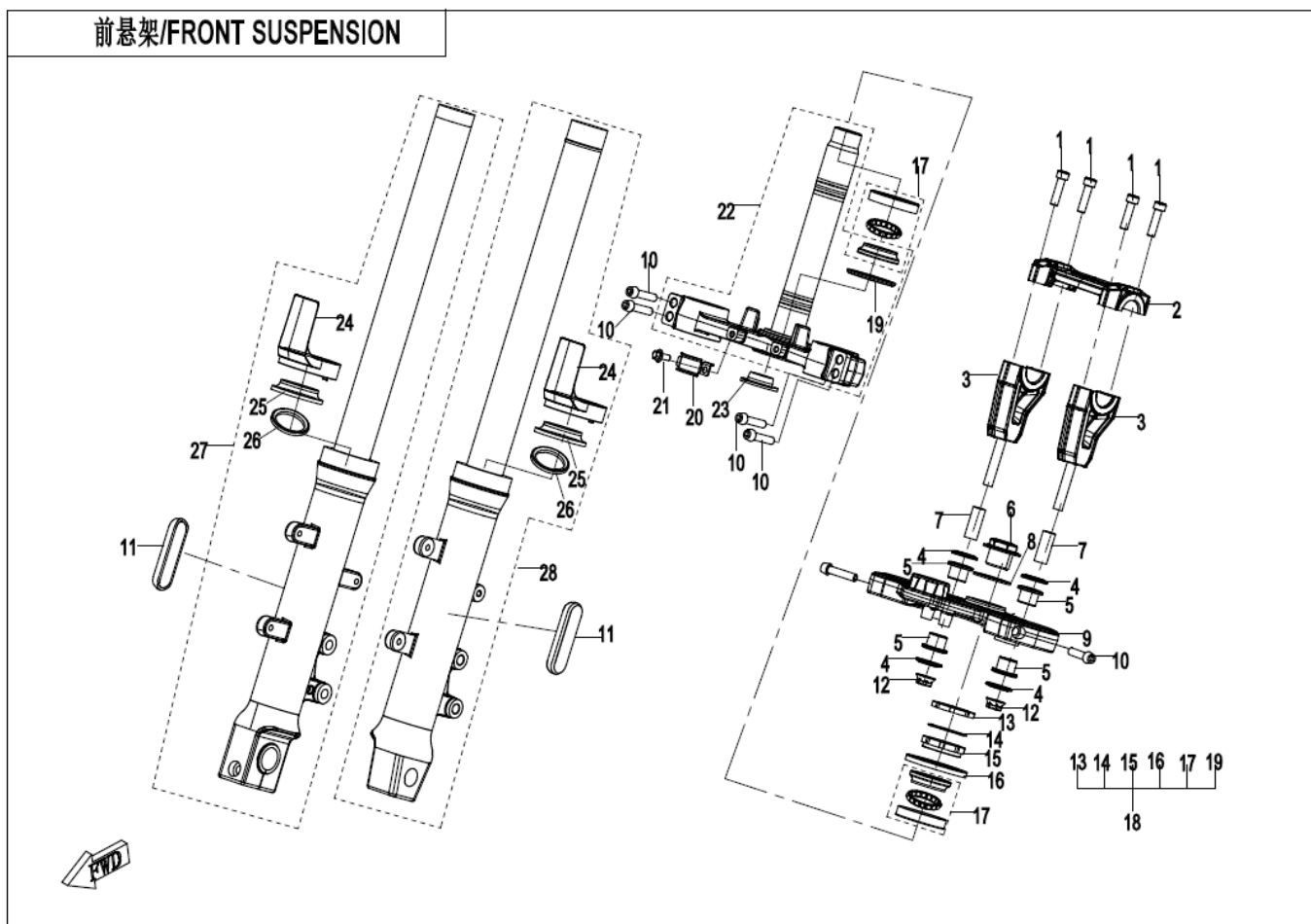
Item No.	Parts Number	Parts Name(EN)	Parts Name(CN)	Qty	Remark(s)	Alternative Parts
01	6NQ#-040024-6000-0BV00	LH REAR DECO PLATE	左后装饰板	1		
01	6NQ#-040024-6000-0VE00	LH REAR DECO PLATE (NEBULA WHITE)	左后装饰板	1		
02	8080-041130	PLASTIC SCREW	塑料膨胀螺钉组合	2		
03	30006-060020870	BOLT M6x20	螺栓	2		
04	6090-040303	BUSHING	衬套	2		
05	6090-040302	RUBBER DAMPER	缓冲胶套	2		
06	8080-000002	CLIP NUT ST4.8	夹板ST4.8	2		
07	6NQ#-040025-6000-0BV00	RH REAR DECO PLATE	右后装饰板	1		
07	6NQ#-040025-6000-0VE00	RH REAR DECO PLATE (NEBULA WHITE)	右后装饰板	1		
08	6NQ#-040026-6000	LH PANEL, TAIL LIGHT	尾灯左护板	1		
09	9060-040310	PLASTIC CLIPS	塑料卡组合	4		
10	30110-421130010	SELF-TAPPING SCREW ST4.2x13	自攻螺钉	21		
11	30110-481130010	SELF-TAPPING SCREW ST4.8x13	自攻螺钉	4		
12	6NQ#-040027-6000	RH PANEL, TAIL LIGHT	尾灯右护板	1		
13	6NQ#-040028-6000	REAR BASEPLATE	后底板	1		
14	8010-000004	BOLT M6x14	凸缘螺栓M6x14	2		
15	8030-040800-00001	NUT CLIP M6	M6螺母夹	2		
16	6NQ#-040033-6000	COVER, SEAT LOCK	坐垫锁保护罩	1		
17	6NQ#-040045-6000	ADAPTOR PLATE, TAIL LIGHT LH PANEL	尾灯左护板转接板	1		
18	6NQ#-040046-6000	ADAPTOR PLATE, TAIL LIGHT RH PANEL	尾灯右护板转接板	1		
19	6NT1-043001	REAR FENDER	后泥板	1		
20	6NT1-043301	INNER BUSHING, REAR FENDER	后泥板内衬	1		
21	6KJ0-042701	HOLDER, REAR LICENCE LIGHT	后牌照灯固定板	1		
22	30110-420095010	SELF-TAPPING SCREW ST4.2x9.5	自攻螺钉	4		
23	6NQ#-000205-6001	MOUNTING SCREW, CHAIN GUARD	链条护卡安装螺钉	1		



F05 前悬架 FRONT SUSPENSION

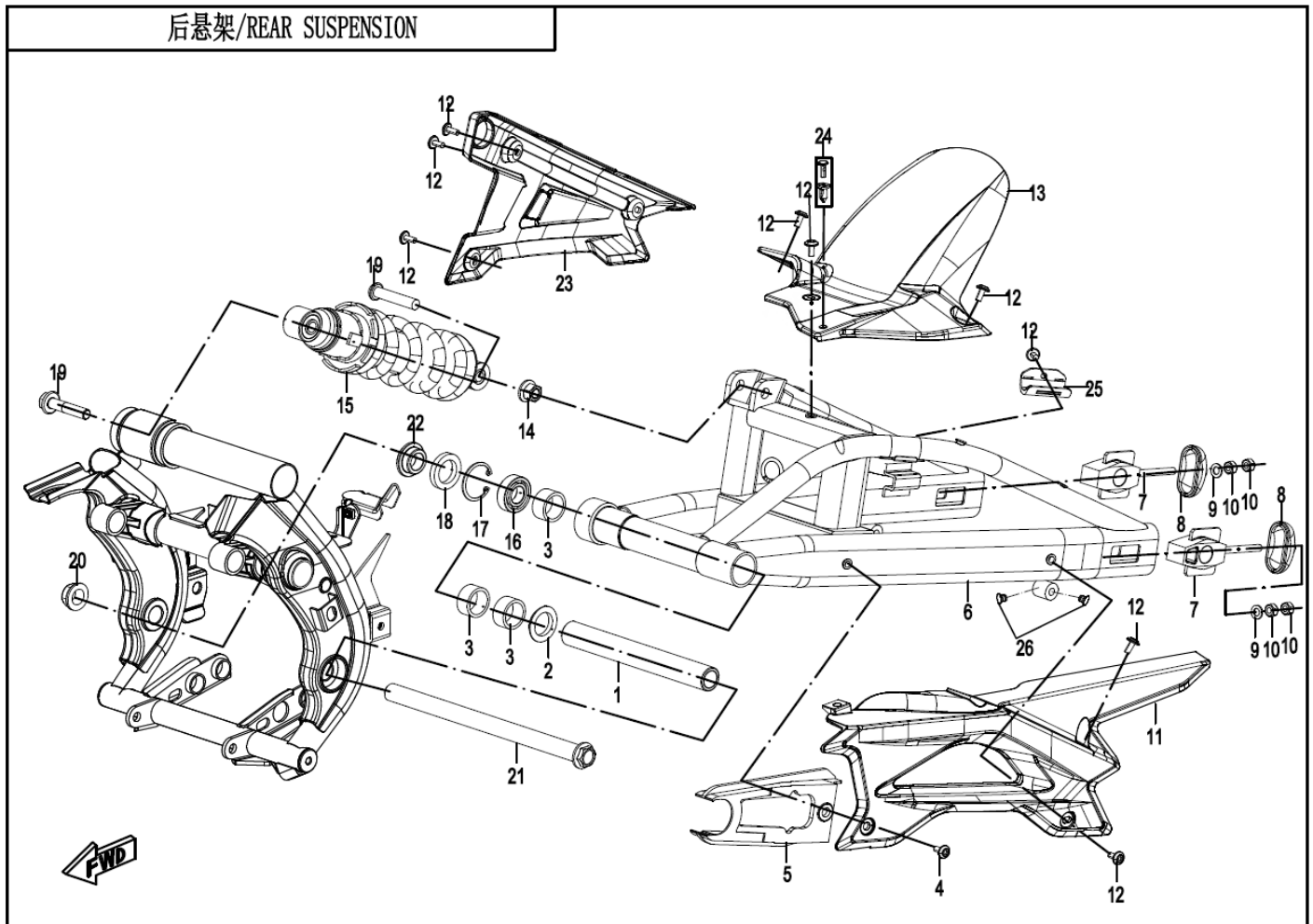
Item No.	Parts Number	Parts Name(EN)	Parts Name(CN)	Qty	Remark(s)	Alternative Parts
01	30102-080030860	INNER HEX SCREW M8x30	螺钉	4		
02	6NQV-050002-6001-0BP00	PRESS COVER, HANDLEBAR (MAUD SPIRIT BLACK)	方向把压盖	1		
03	6NQV-050010-6001-0BP00	HOLDER, HANDLEBAR (MAUD SPIRIT BLACK)	方向把支座组件	2		
04	6KJ0-050005	WASHER	垫圈	4		
05	6KJ0-050004	DAMPER RUBBER, UPPER TRIPLE CLAMP	上连板缓冲橡胶	4		
06	6NTA-050003	LOCK SCREW, UPPER TRIPLE CLAMP	上连板紧固螺钉	1		
07	6KJ0-050006-00001	LINER, UPPER TRIPLE CLAMP	上连板衬管	2		
08	A000-050004	WASHER 5	垫圈	1		
09	6NQ0-050001-0BP00	UPPER TRIPLE CLAMP	上联板	1		
10	A000-050018	INNER HEX SCREW M8x35	内六角圆锥头螺钉	6		
11	6KJV-160920-8001-M1	FRONT SIDE REFLECTOR	前侧反射器	2		
12	30204-102810	NUT M10x1.25	螺母	2		
13	A000-050006	LOCK NUT 1	锁紧螺母 I	1		
14	A000-050008	WASHER 5	垫圈	1		
15	A000-050007	LOCK NUT 2	锁紧螺母 II	1		
16	A000-050009	DUST CAP, UPPER RETAINER	上挡圈防尘盖	1		
17	A000-050100-10000	STEERING BEARING ASSY	转向轴承组合	2		
18	A000-0501A0	STEERING BEARING ASSY	转向轴承组合	1		
19	A000-050400	ANTI-DUST CAP, LOWER RETAINING RING	下挡圈防尘盖组件	1		
20	6NQ#-050003-6000	LIMIT CLASP, FRONT BRAKE FLUID HOSE	前碟刹油管限位夹	1		
21	30006-060012870	BOLT M6x12	螺栓	1		
22	A000-0503A0	LOWER TRIPLE CLAMP	下连板组件	1		
23	A000-050011	RUBBER PLUG 2	橡胶塞 II	1		
24	A000-050501	GUARD	防护罩	2		
25	A000-050510	DUST COVER, FRONT SHOCK ABSORBER	前减震器防尘罩	2		
26	A000-050520	OIL SEAL, FRONT SHOCK ABSORBER	前减震器油封	2		
27	6NT#-050600-9001	FRONT RH SHOCK ABSORBER	前右减震器	1		
28	6NT#-050500-9001	FRONT LH SHOCK ABSORBER	前左减震器	1		

前悬架/FRONT SUSPENSION



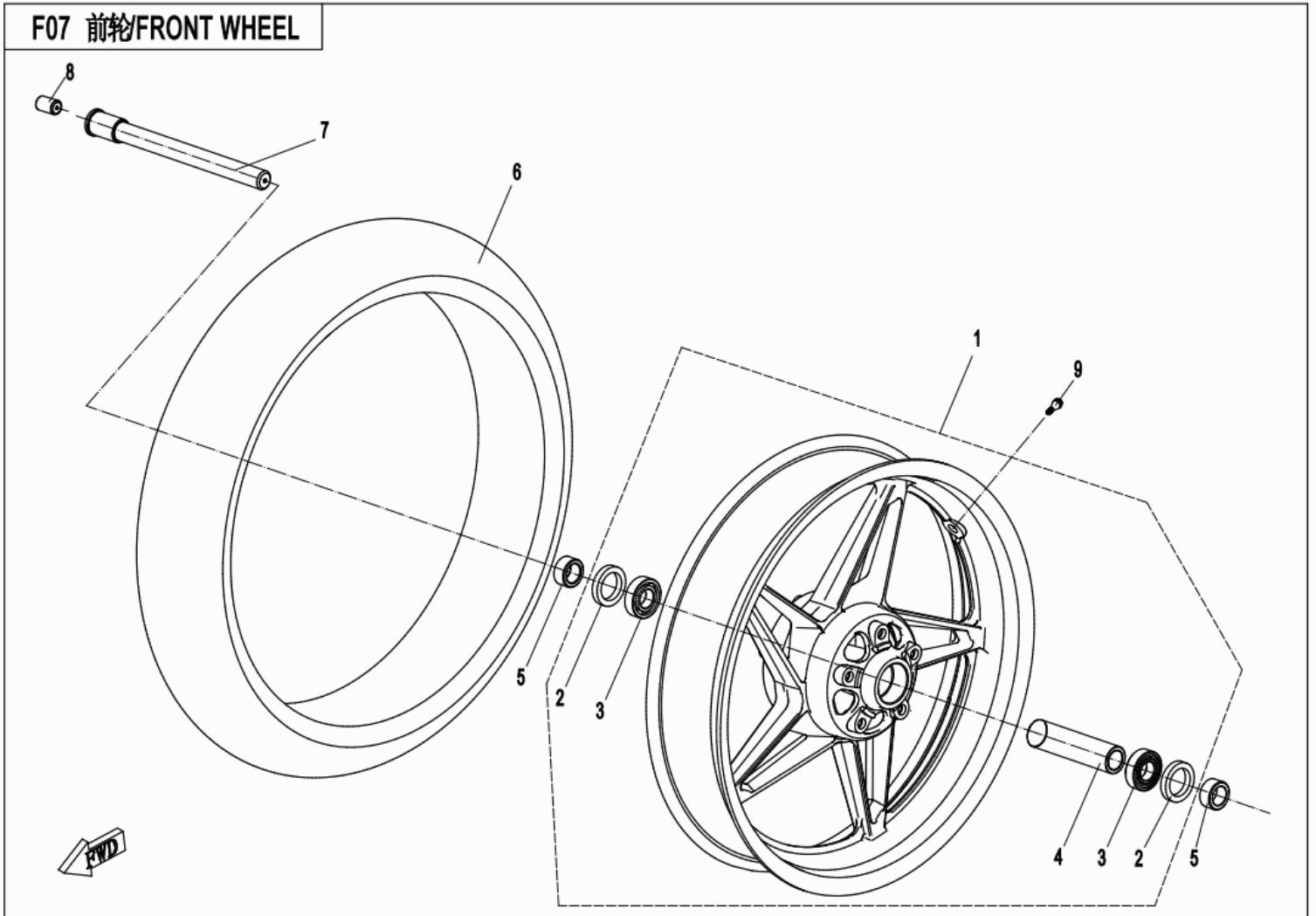
F06 后悬架 REAR SUSPENSION

Item No.	Parts Number	Parts Name(EN)	Parts Name(CN)	Qty	Remark(s)	Alternative Parts
01	A000-060005	SLEEVE, REAR SWING ARM	后摇架内衬管	1		
02	A000-060006	ANTI-DUST RING	防尘圈	1		
03	30403-02800	NEEDLE BEARING HK28x35x16	滚针轴承	3		
04	6NQ#-000205-6001	MOUNTING SCREW, CHAIN GUARD	链条护卡安装螺钉	1		
05	A000-060001	CHAIN GUARD	链条护卡	1		
06	6NQ0-060300-0BP00	REAR FORK ASSY	后平叉焊接组合	1		
07	A000-060210	ADJUSTER, CHAIN	链条调节器	2		
08	A000-060201-0BB0	CAP, CHAIN ADJUSTER (PLASTIC POWDER)	链条调节器挡板	2		
09	30306-080112	WASHER 8	垫圈	2		
10	30200-080810	NUT M8	螺母	4		
11	6NTG-060008-10000	LH PANEL, REAR FORK	后摇架左护板	1		
12	6NQ#-000206-6001	INNER HEX SCREW M6x16	内六角螺钉M6x16	9		
13	6NQ0-060011-10000	UPPER PANEL, REAR FORK	后摇架上护板	1		
14	30204-122810	NUT M12x1.25	螺母	1		
15	6NTV-060100-9000-M1	REAR SHOCK ABSORBER	后减震器	1		
16	30400-02004	BEARING 6004-2RZ	滚动轴承	1		
17	30800-04205	CIRCLIP FOR HOLE 42 A-TYPE	孔用弹性挡圈42	1		
18	30500-030800N	OIL SEAL FB30x42x 7	油封	1		
19	A000-060011	HEX FLANGE BOLT	六角法兰面螺栓	2		
20	A000-060004	NUT M20x1.5	螺母	1		
21	A000-060003	SHAFT, REAR FORK	后叉轴	1		
22	A000-060007	RH BUSHING, REAR SWING ARM	后摇架右衬套	1		
23	6NTG-060009	RH PANEL, REAR FORK	后摇架右护板	1		6NTG-060009-10000
24	9060-040310	PLASTIC CLIPS	塑料卡组合	1		
25	6NQ0-060012	PROTECTING MAT, REAR SWING ARM	后摇架护管垫	1		
26	A010-100208-00001	RUBBER PLUG, CLUTCH LEVER	前离合器手柄胶塞	4		6KM#-100002-8000



F07-A 前轮 FRONT WHEEL

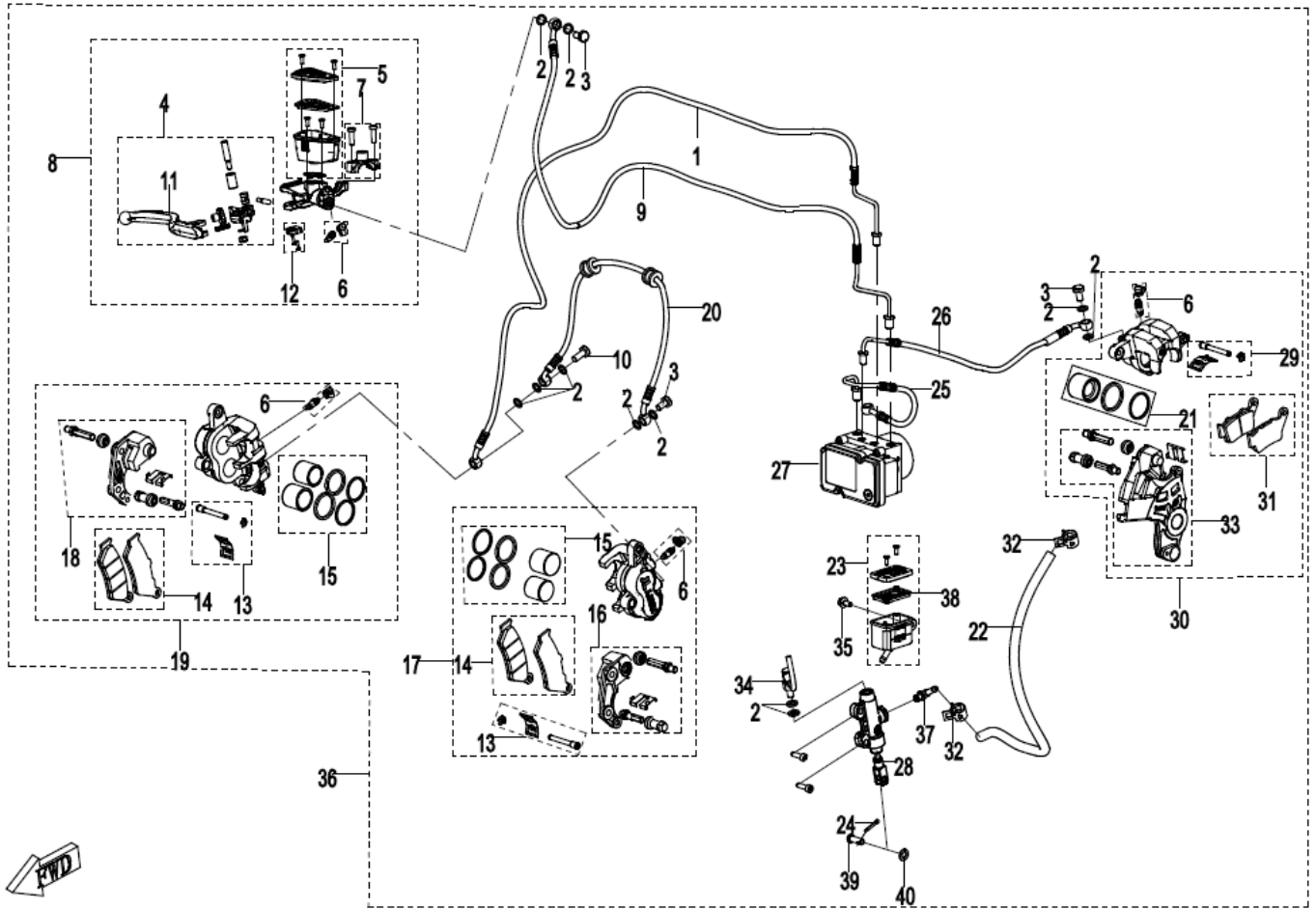
Item No.	Parts Number	Parts Name(EN)	Parts Name(CN)	Qty	Remark(s)	Alternative Parts
01	6NTV-070100-6000-0B200	FRONT RIM ASSY (MATTE BLACK)	前轮辋组合	1		6NTV-070100-6001-0B200
01	6NTV-070100-6000-0YE00	FRONT RIM ASSY	前轮辋组合	1		6NTV-070100-6001-0YE00
01	6NTV-070100-6001-0YE00	FRONT RIM ASSY (GOLD BROWN)	前轮辋组合	1		
01	6NTV-070100-6001-0B200	FRONT RIM ASSY (MATTE BLACK)	前轮辋组合	1		
02	30501-030800N	OIL SEAL (FB30x42x7)	油封	2		
03	30400-02082	BEARING	滚动轴承	2		
04	6NQV-071102-2000	CENTER SPACER, FRONT RIM	前轮辋中隔套	1		
05	A000-070002	BUSHING, FRONT AXLE	前轮轴衬套	2		
06	30705-1751	TIRE	轮胎	1		
07	A000-070001	AXLE, FRONT WHEEL (WITH KYB SHOCK ABSORBER)	前轮轴	1		
08	A000-050016	RUBBER PLUG, FRONT WHEEL AXLE	前轮轴橡胶塞	1		
09	5190-070030-1000	VALVE, INFLATION	气门嘴	1		



F08-1 制动系统 BRAKE SYSTEM

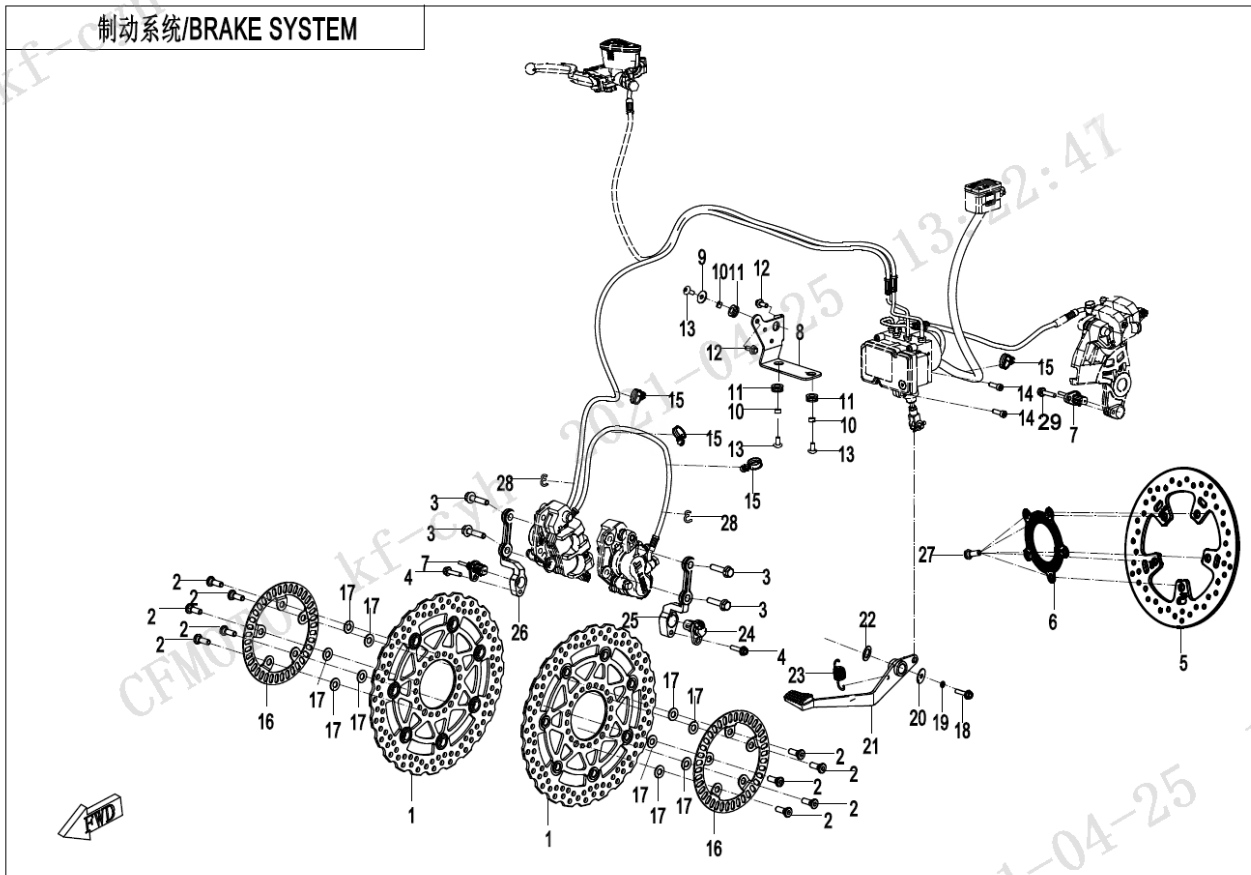
Item No.	Parts Number	Parts Name(EN)	Parts Name(CN)	Qty	Remark(s)	Alternative Parts
01	6NQ0-081010-10000	OIL OUTLET PIPE, FRONT BRAKE	前制动出油管	1		
02	A000-080102-2000	WASHER	垫圈	11		
03	A000-080101-2000	BANJO BOLT	过油螺栓 I	3		
04	A000-0801J0	FRONT BRAKE LEVER	前制动手柄组合	1		
05	A000-0801N0	FLUID RESERVOIR, FRONT BRAKE	前制动主泵油杯组合	1		
06	A000-0801W0	BOLT PLUG, OIL DRAIN	放油螺塞组合	3		
07	A000-0801M0	HALF-COVER, FRONT BRAKE PUMP	前制动主泵半盖组合	1		
08	A000-080110-2000	MASTER CYLINDER, FRONT BRAKE	前制动泵组合	1		6NTV-081100-6200-M1
09	6NQ0-081020-10000	FLUID INLET PIPE, FRONT BRAKE	前制动进油管	1		
10	A000-080103-2000	BANJO BOLT 2	过油螺栓 II	1		
11	A000-080131-2000	LEVER	手柄	1		A000-0801J0
12	A000-0801L0	SWITCH, FRONT BRAKE	前制动开关组合	1		
13	A000-0801H0	GUIDE ROD, FRONT BRAKE CALIPER	前制动钳导杆组合	2		
14	6NQ#-0811A0-6000	FRONT BRAKE PAD	前制动片组件	2		
14	A000-0801C0	PAD, FRONT BRAKE	前制动蹄片组合	2		
15	A000-0801F0	PISTON, FRONT BRAKE CALIPER	前制动钳活塞组合	2		
16	A000-0801E0	BRACKET, FRONT LH BRAKE CALIPER	前左制动钳安装支架组合	1		
17	A000-080150-2000	FRONT BRAKE CALIPER, LH	前左制动钳组合	1		
18	A000-0801G0	BRACKET, FRONT BRAKE CALIPER(RH)	前右制动钳安装支架组合	1		
19	6NQ#-081200-6000	FRONT BRAKE CALIPER ASSY, RH	前右制动卡钳组合	1		
19	A000-080170-2000	FRONT BRAKE CALIPER, RH	前右制动钳组合	1		
20	6NQ#-081040-6001	LOWER FLUID HOSE ASSY, FRONT BRAKE	前制动下油管组合	1		
21	A000-0802E0	PISTON, REAR BRAKE CALIPER	后制动钳活塞组合	1		
22	6NQ#-0810A0-6000-30	HOSE ASSY, REAR BRAKE MASTER CYLINDER	后制动主泵油杯管组件	1		
23	A000-0802C0	FLUID RESERVOIR, REAR BRAKE PUMP	后制动主泵油杯组合	1		
24	A000-080233-2000	PIN	销	1		
25	A000-081020	OUTLET PIPE, REAR BRAKE	后制动出油管	1		
26	6NQ0-081040-10000	INLET PIPE, REAR BRAKE	后制动进油管	1		
27	A000-081400	MAB	MAB	1		
28	6NQ#-0810A0-6000-20	REAR BRAKE MASTER CYLINDER ASSY	后制动主泵体组件	1		
29	A000-0802H0	GUIDE ROD, REAR BRAKE CALIPER	后制动钳导杆组合	1		
30	6NQ#-081300-6000	REAR BRAKE CALIPER ASSY	后制动卡钳组合	1		
30	6NTG-081060	REAR BRAKE CALIPER	后制动钳组合	1		
31	6NQ#-0813A0-6000	REAR BRAKE PAD ASSY	后制动片组件	1		A000-0801D0
31	A000-0801D0	REAR BRAKE PAD	后制动蹄片组合	1		
32	A000-080213-2000	CLIP	油管夹	1		
33	6NTJ-0802D0	BRACKET, REAR BRAKE CALIPER	后制动钳安装支架组合	1		
34	6NTV-081070-9300-M1	REAR BRAKE LIGHT SWITCH	后制动灯开关	1		
35	30006-060012810	BOLT M6x12	螺栓	1		30006-060012870
36	6NTV-081000-9300-M1	ABS BRAKE ASSY	ABS制动器组合	1		
36	6NTV-081000-9301-M1	ABS BRAKE ASSY	ABS制动器组合	1		
37	A000-080224-2000	FLUID NOZZLE	出油嘴	1		
38	A000-080232-2000	SEAL RING, FLUID RESERVOIR	油杯密封圈	1		
39	A000-080216-2000	PIN SHAFT	销轴	1		
40	A000-080234-2000	WASHER 8	垫圈8	1		

制动系统/BRAKE SYSTEM



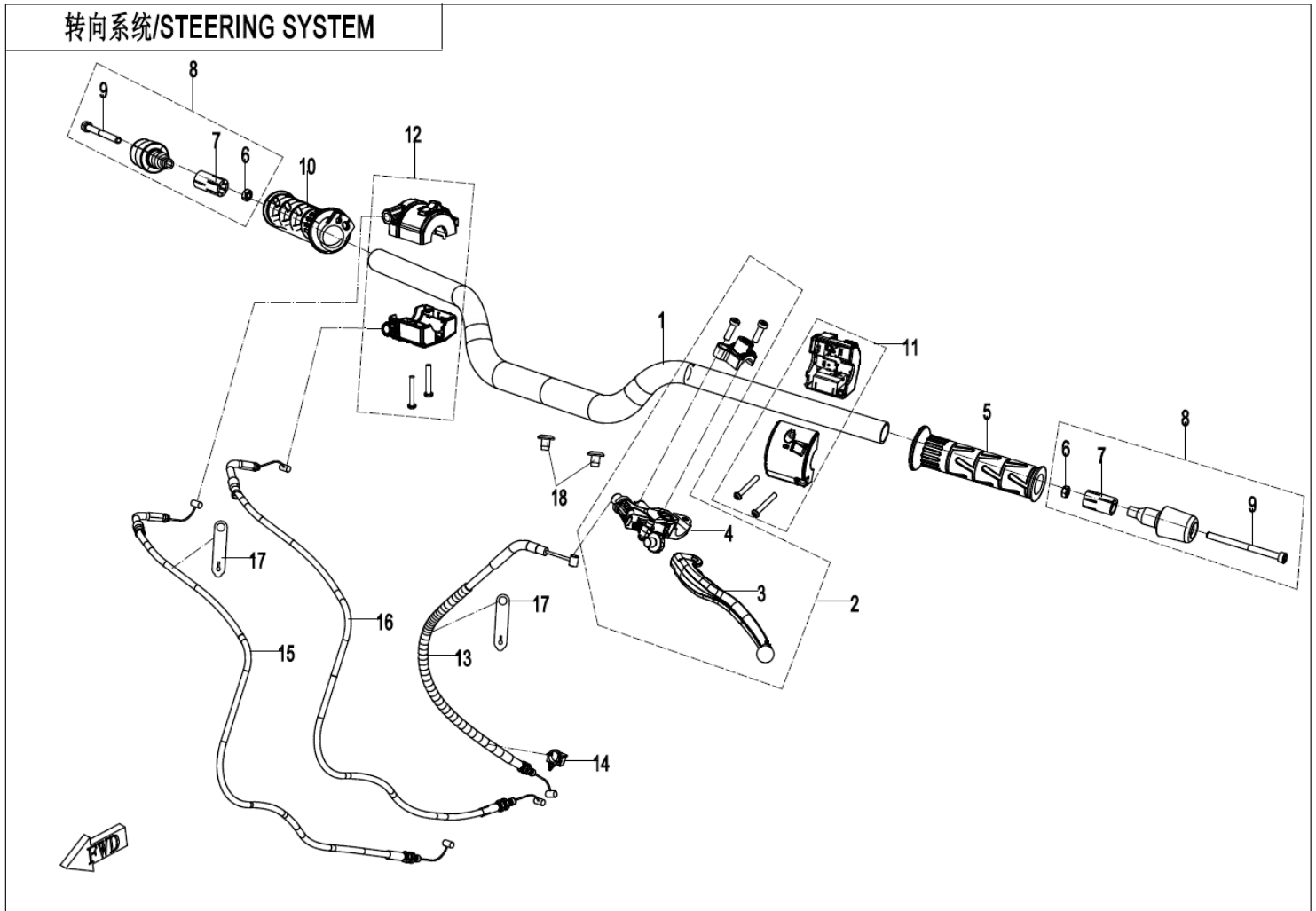
F08-2 制动系统 BRAKE SYSTEM

Item No.	Parts Number	Parts Name(EN)	Parts Name(CN)	Qty	Remark(s)	Alternative Parts
01	A000-080010	FRONT BRAKE DISC	前制动盘组合	2		
02	A000-080003-10000	BOLT, BRAKE DISC	制动盘螺栓	10		
03	30006-102055870	BOLT M10x1.25x55	螺栓	4		
04	30006-102055860	BOLT M10x1.25x55	螺栓	1		
05	6NQV-080006-2600	REAR BRAKE DISC	后制动盘	1		
06	6GU#-090002-6001	REAR GEAR RING	后齿圈	1		
07	6KMV-080004-8500-M1	SPEED SENSOR	轮速传感器	2		
08	6NT1-030180	BRACKET ASSY, ABS CONTROLLER	ABS控制器安装支架组合	1		
09	30305-060112	WASHER 6	垫圈	1		
10	A000-050014	BUSHING	衬套	3		
11	A000-050013	RUBBER MAT	胶垫	3		
12	30006-060025810	BOLT M6x25	螺栓	2		
13	A000-040702	INNER HEX SCREW M6x12	内六角螺钉M6x12	3		6KM#-040702-8000
14	30006-080025860	BOLT M8x25	螺栓	2		
15	A000-050015	WIRE CLIP, FRONT BRAKE FLUID HOSE	前制动油管夹	4		
16	6NTG-080008-10000	FRONT GEAR RING	前齿圈	2		
17	A000-080008-10000	WASHER, FRONT GEAR RING	前齿圈垫片	10		
18	30006-060016810	BOLT M6x16	螺栓	1		30006-060016870
19	30303-060112	WASHER 6	垫圈	1		
20	A000-080006-10000	WASHER 1	垫片 I 7x24x1.6_性能等级 100HV	1		
21	6NQ0-080304-1H300	PEDAL, REAR BRAKE (SILVER BLACK)	后制动踏板	1		
22	A000-080007-10000	WASHER 2	垫片II	1		
23	6NTG-080005	RETURN SPRING	回位弹簧	1		
24	6NQV-150400-2802	SPEED SENSOR	车速传感器	1		
25	6NQ0-050017	LH SEAT, SENSOR	传感器左安装座	1		6NQ0-050017-10000
26	6NQ0-050018	RH SEAT, SENSOR	传感器右安装座	1		
27	A000-080003-10000	BOLT, BRAKE DISC	制动盘螺栓	5		
28	6KJ0-080003-00001	CLIP, BRAKE HOSE	制动油管卡	2		
29	30006-060012870	BOLT M6x12	螺栓	2		



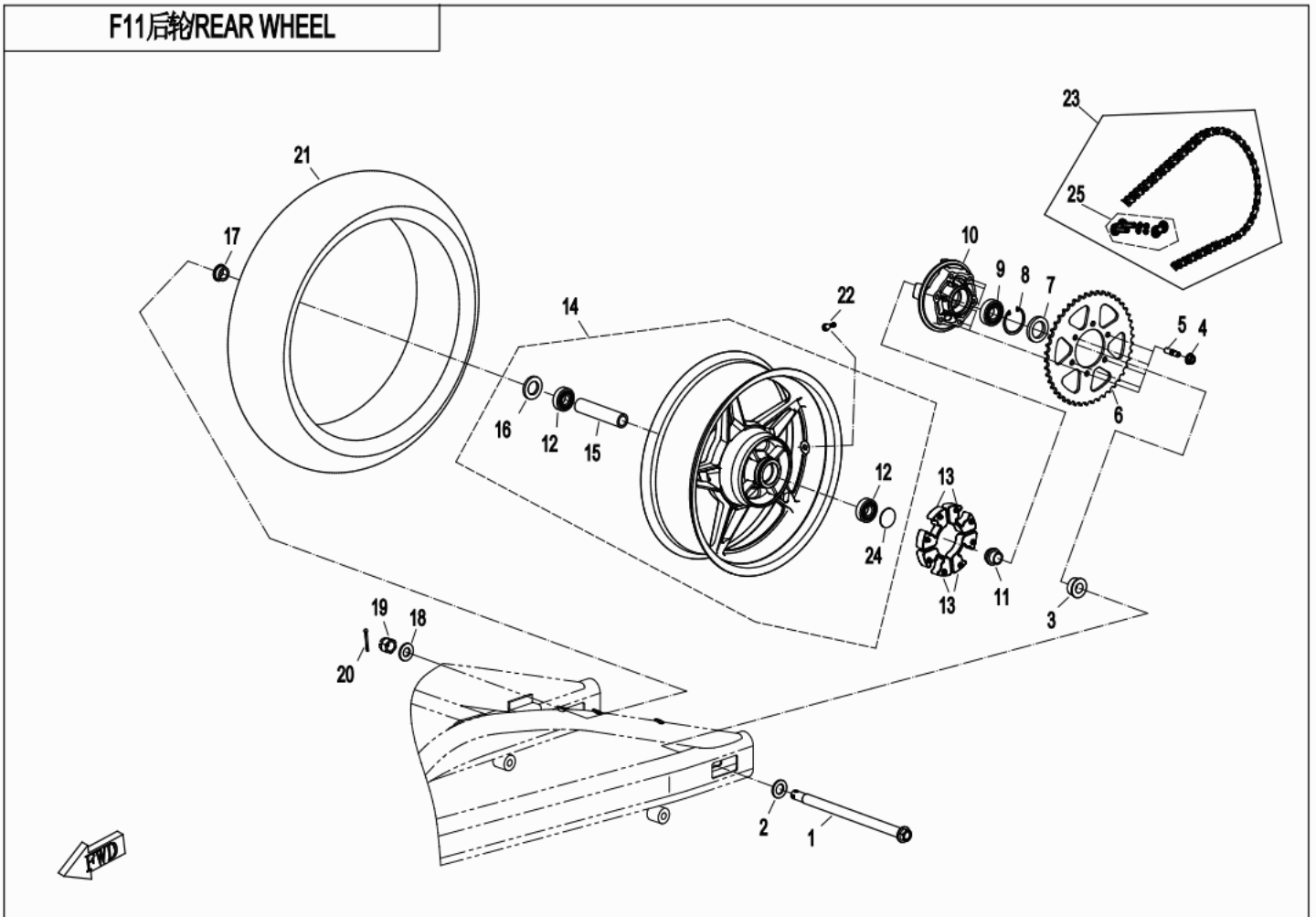
F10-B 转向系统 STEERING SYSTEM

Item No.	Parts Number	Parts Name(EN)	Parts Name(CN)	Qty	Remark(s)	Alternative Parts
01	6NQ#-100100-6001	HANDLEBAR PIPE	方向把管	1		
02	6NQV-100200-6006	CLUTCH LEVER ASSY	离合手柄组合	1		
03	6NQV-100201-6002	CLUTCH LEVER	离合手柄	1		
04	6GUV-100200-7002-20	SWITCH KIT	开关组件	1		
05	A000-100001-10000	LH HAND GRIP	左握把	1		
06	30202-060170	NUT M6	螺母	2		
07	8060-100109	TENSIONER TOOL	胀紧块	2		
08	6KJ0-100010	BALANCER	平衡块组件	2		
09	30102-060075870	SCREW M6x75	螺钉	2		
10	A000-100010-10000	RH HAND GRIP ASSY	右握把组件	1		A000-100010-20000
11	6NQV-166000-6200	HANDLEBAR SWITCH ASSY, LH	左手把开关组件	1		
12	6NQV-167000-6400	HANDLEBAR SWITCH ASSY, RH	右手把开关组件	1		
13	A000-100600-00001	CLUTCH CABLE	离合器拉索	1		A000-100600
14	A000-100002	CLIP, CLUTCH CABLE	离合器拉索线夹	1		
15	6NQ#-100400-6002	THROTTLE CABLE 1	油门拉索I	1		
16	6NQ#-100500-6001	THROTTLE CABLE 2	油门拉索II	1		
17	6KJ0-100002	TIE BAND, CLUTCH	离合器拉索绑带	2		
18	A010-100208-00001	RUBBER PLUG, CLUTCH LEVER	前离合手柄胶塞	2		6KM#-100002-8000



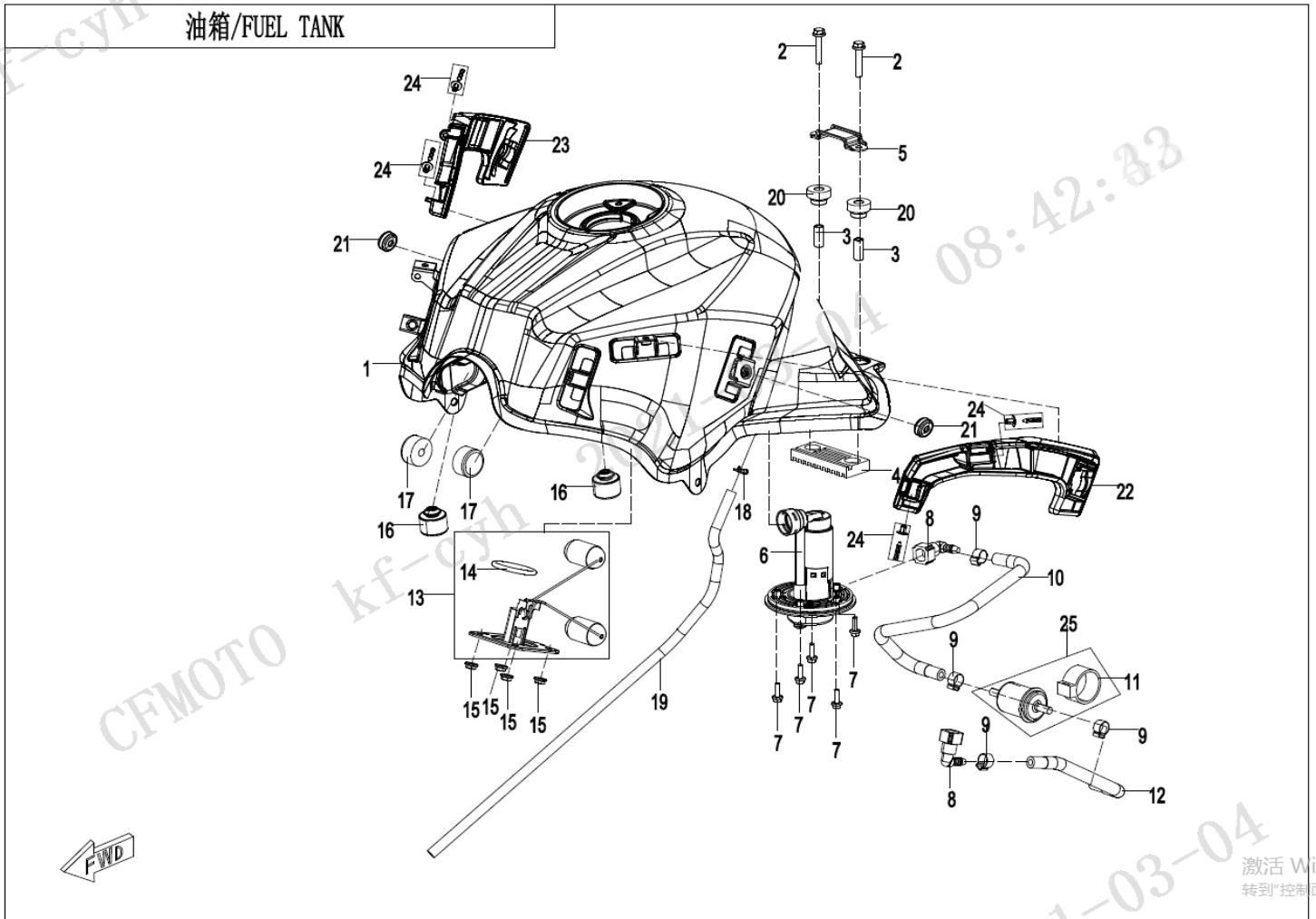
F11-A 后轮 REAR WHEEL

Item No.	Parts Number	Parts Name(EN)	Parts Name(CN)	Qty	Remark(s)	Alternative Parts
01	A000-110001	SHAFT, REAR WHEEL	后轮轴	1		
02	30306-200112	WASHER	垫圈	1		
03	A000-110002	LH SHAFT SLEEVE, REAR WHEEL	后轮左轴套	1		
04	30204-102810	NUT M10x1.25	螺母	6		
05	30020-102025410	STUD AM10x1.25x25	螺柱	6		
06	6NTG-110004-10000	REAR SPROCKET	后链轮	1		
07	30501-035800N	OIL SEAL FB35x52x8	油封	1		
08	30800-05205	CIRCLIP FOR HOLE 52	孔用弹性挡圈	1		
09	30400-02503	BEARING 6205-2RS	滚动轴承	1		
10	A000-110006-0B20	SEAT, SPROCKET (MATTE BLACK)	链轮座	1		
10	6NQV-110006-6000-0B200	SPROCKET SEAT (MATTE BLACK)	链轮座	1		
11	A000-110005-10000	SHAFT BUSHING, SPROCKET SEAT	链轮座轴套	1		
12	30400-02001	BEARING 6204-RS	滚动轴承	2		
13	A000-110007	DAMPER, SPROCKET SEAT	链轮座缓冲胶块	4		
14	6NTV-110100-2000-0B200	REAR RIM ASSY (MATTE BLACK)	后轮辋组合	1		
14	6NTV-110100-2000-0YE00	REAR RIM ASSY	后轮辋组合	1		
15	6NQV-111102-2000	CENTER SPACER, REAR RIM	后轮辋中隔套	1		
16	30501-028800N	OIL SEAL FB28x47x7	油封	1		
17	6NT1-110003	WASHER, REAR WHEEL AXLE	后轮右轴套	1		
18	A000-110009	WASHER 18, REAR WHEEL AXLE	后轮轴平垫18	1		
19	A000-110011	NUT, REAR WHEEL	后轮轴螺母	1		
20	30903-0403510	COTTER PIN 4.0x35	开口销	1		
21	30705-1752	TIRE	轮胎	1		
22	5190-070030-1000	VALVE, INFLATION	气门嘴	1		
23	3120908	CHAIN 520-116	链条	1		
24	30503-060800N	O-RING 60x3.10	O形圈60x3.10	1		
25	A000-110310	RIVETED BUCKLE, CHAIN	链条铆接扣	1		



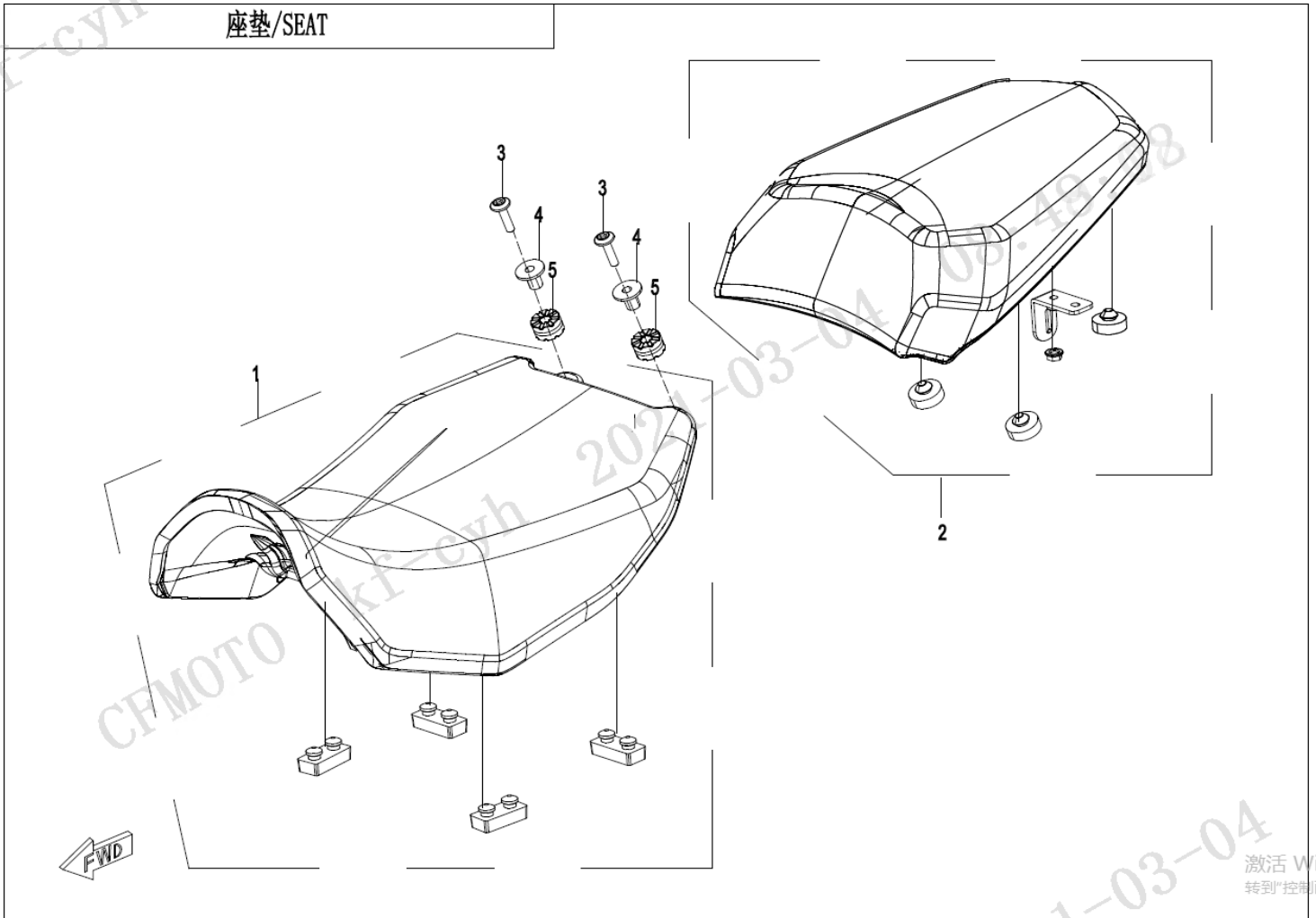
F12 油箱 FUEL TANK

Item No.	Parts Number	Parts Name(EN)	Parts Name(CN)	Qty	Remark(s)	Alternative Parts
01	6NQ#-121000-6001-0VE00	FUEL TANK (NEBULA WHITE)	油箱焊接组合	1		
01	6NQ#-121000-6001-0BV00	FUEL TANK	油箱	1		
02	30006-060040870	BOLT M6x40	螺栓	2		
03	6NQ#-120002-6000	MOUNTING BUSHING	安装衬套	2		
04	6NQ#-120003-6000	RUBBER DAMPER BLOCK	缓冲橡胶垫块	1		
05	6NQ#-120001-6000	SEAT HOOK	座垫挂钩	1		
06	6KJV-150900-8001	FUEL PUMP ASSY	油泵总成	1		
07	30006-050020810	BOLT M5x20	螺栓	5		
08	6090-120210	QUICK JOINT	快速接头	2		
09	6070-120400	CLAMP Dia 14.5A	无级环箍 (Φ14.5)	4		
10	6NQ#-120010-6001	HIGH-PRESSURE FUEL HOSE ASSY	高压油管组合	1		
12	A000-120220-10000	HIGH-PRESSURE FUEL HOSE ASSY 2	高压油管组合II	1		
13	6NQV-170200-6200	FUEL LEVEL SENSOR	油位传感器	1		6NQV-170200-6201
13	6NQV-170200-6201	OIL LEVEL SENSOR	油位传感器	1		
14	A000-170201	SEAL RING	密封圈	1		
15	30202-060110	NUT M6	螺母	4		30204-060810
16	A000-120001	RUBBER SUPPORT	前支撑胶套	2		
17	A000-120006	CUSHION MAT, FRONT FUEL TANK	油箱前侧缓冲垫	2		
18	30601-111010	CLAMP A11	环箍A11	1		
19	9CR6-120001	BREATHER HOSE, FUEL TANK	油箱通气管	1		
20	6NQ#-120004-6000	CUSHION RUBBER WAHSER	缓冲橡胶垫	2		
21	A000-040302	RUBBER DAMPER	油箱外护罩缓冲橡胶	2		
22	6NQ#-040048-6000	LH RUBBER CUSHION, FUEL TANK	油箱左缓冲胶垫	1		
23	6NQ#-040049-6000	RH RUBBER CUSHION, FUEL TANK	油箱右缓冲胶垫	1		
24	8080-041130	PLASTIC SCREW	塑料膨胀螺钉组合	4		
25	805A-120004	FUEL FILTER, EFI	电喷燃油滤清器	1		



F13 座垫 SEAT

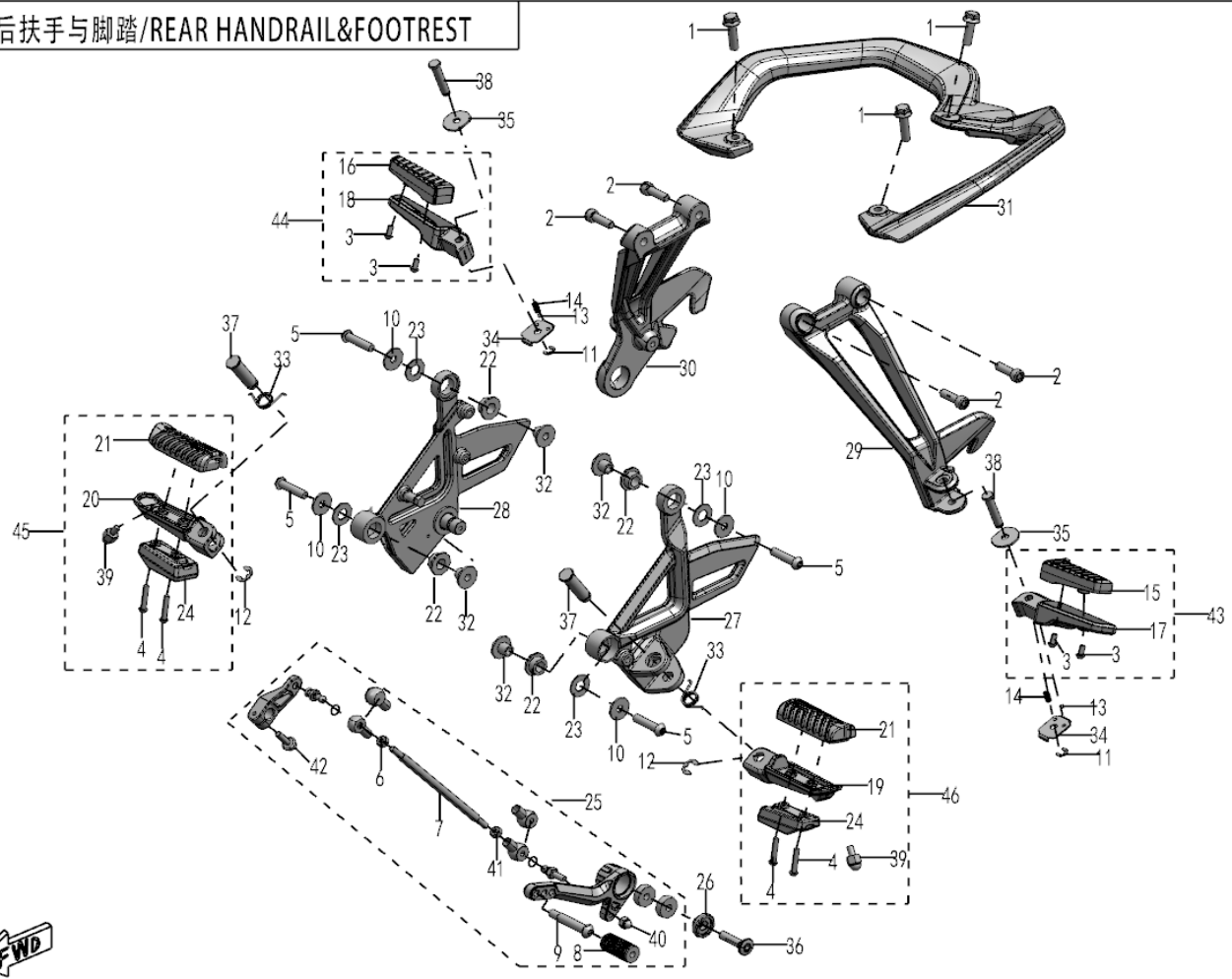
Item No.	Parts Number	Parts Name(EN)	Parts Name(CN)	Qty	Remark(s)	Alternative Parts
01	6NQ#-131000-6001	FRONT SEAT ASSY	前座垫组合	1		
02	6NQV-132000-6001	REAR SEAT ASSY	后坐垫组合	1		
03	6NQ#-000203-6001	INNER HEX SCREW M6x20	内六角螺钉M6x20	2		
04	9010-120310	RUBBER LINER, FUEL TANK	油箱缓冲橡胶衬管	2		
05	5020-031001	RUBBER SLEEVE, FRONT LICENSE BRACKET	前牌照支架橡胶胶套	2		



F14 后扶手与脚蹬 REAR HANDRAIL&FOOTREST

Item No.	Parts Number	Parts Name(EN)	Parts Name(CN)	Qty	Remark(s)	Alternative Parts
01	30006-080030860	BOLT M8x30	螺栓	3		
02	30102-080025810	SCREW M8x25	螺钉	4		
03	30105-050014410	SCREW M5x14	螺钉	4		
04	30105-050025410	SCREW M5x25	螺钉	4		
05	30121-080035860	SCREW M8x35	螺钉	4		
06	30200-06087L	NUT M6	螺母	1		
07	6NQ#-140102-6000	CONNECTING ROD	连杆	1		
08	0700-065404	RUBBER SLEEVE, FOOT PEDAL	踏杆胶套	1		
09	6NQ#-140104-6002	BOLT, PEDAL	踏杆螺栓	1		
10	30309-080870	WASHER	垫圈	4		
11	30802-00605	CIRCLIP 6	开口挡圈	2		30802-00603
12	30802-00905	CIRCLIP 9	开口挡圈9	2		30802-00903
13	5190-037813	SPRING	弹簧	2		
14	5190-037814	STEEL BALL	钢珠	2		
15	6KJ0-140132	RUBBER, LH FOOT PEDAL	左脚蹬橡皮组件	1		
16	6KJ0-140142	RUBBER ASSY, RH FOOTREST	右脚蹬橡皮组件	1		
17	6KJ0-140151-2B210	REAR FOOTREST SEAT, LH (MATTE BLACK)	左后脚蹬座	1		
18	6KJ0-140161-2B210	REAR FOOTREST, RH (MATTE BLACK)	右后脚蹬座	1		
19	6KM0-140131-1B200	FRONT FOOTREST SEAT, LH (MATTE BLACK)	左前脚蹬座	1		
20	6KM0-140141-1B200	FRONT FOOTREST SEAT, RH (MATTE BLACK)	右前脚蹬座	1		
21	6KM0-140170	RUBBERS, FOOTREST	脚蹬橡皮组件	1		
22	6NQ#-140002-6000	RUBBER DAMPER	缓冲橡胶	4		
23	6NQ#-140003-6000	RUBBER WASHER	橡胶垫圈	4		
24	6NQ#-140004-6000	BALANCER, FOOTREST	脚蹬平衡块	1		
25	6NQ#-140100-6003	SHIFT LEVER ASSY	换挡杆连接组合	1		
26	6NQ#-140103-6002	MOUNTING BUSHING	安装隔套	1		6NQ#-140103-6003
27	6NQ#-140301-6001	BRACKET, FRONT LEFT FOOTREST	左前脚蹬支架	1		
28	6NQ#-140400-6002	RH FRONT FOOTREST	右前脚蹬支架组件	1		
29	6NQ#-140501-6001	BRACKET, REAR LEFT FOOTREST	左后脚蹬支架	1		
30	6NQ#-140601-6001	BRACKET, REAR RIGHT FOOTREST	右后脚蹬支架	1		
31	6NQ#-140701-6000-0BP00	REAR ARMREST	后扶手	1		
31	6NQ#-140701-6000-0VN00	REAR ARMREST	后扶手	1		
32	6NQ#-140801-6000	T-TYPE BUSHING	T型衬套	4		
33	A000-140103-20000	SPRING	扭簧	2		
34	A000-140104	LOCATING GASKET 1	定位垫片I	2		
35	A000-140106	LOCATING GASKET 2	定位垫片II	2		
36	6KM0-140107	BOLT M8	凸台螺栓	1		
37	6NQ0-140001	PIN Dia 12, FRONT FOOTREST	前脚蹬销轴φ12	2		
38	A000-140142	PIN SHAFT Dia 8	销轴φ8	2		
39	A010-140123	LIMIT BOLT	限位螺栓	1		
40	30206-060570	NUT	盖形螺母	1		30206-060510
41	30200-060810	NUT M6	螺母	1		
42	30006-060020870	BOLT M6x20	螺栓	1		
43	6KJ0-140150-2B210	REAR FOOTREST, LH (MATTE BLACK)	左后脚蹬组件	1		
44	6KJ0-140160-2B210	REAR FOOTREST,RH (MATTE BLACK)	右后脚蹬组件	1		
45	6NQ#-1401A0-6000-1B200	RH FRONT FOOTREST ASSY (MATTE BLACK)	右前脚蹬组件	1		
46	6NQ#-1401B0-6000-1B200	FRONT FOOTREST ASSY, LH (MATTE BLACK)	左前脚蹬组件	1		

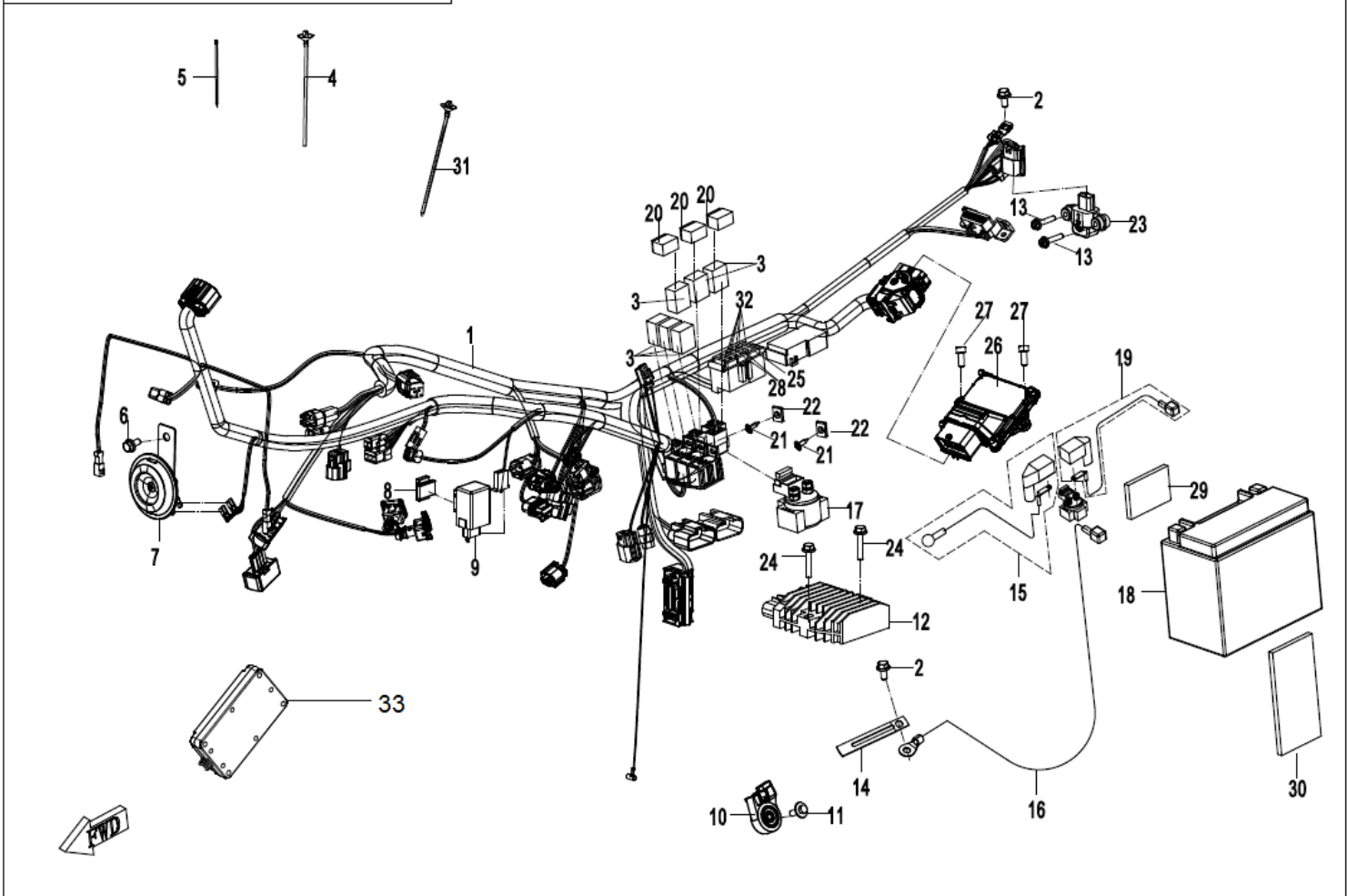
后扶手与脚踏/REAR HANDRAIL&FOOTREST



F15 电器系统 ELECTRIC SYSTEM

Item No.	Parts Number	Parts Name(EN)	Parts Name(CN)	Qty	Remark(s)	Alternative Parts
01	6NQV-150100-A100	MAIN CABLE	主线束	1		
02	30006-060012870	BOLT M6x12	螺栓	2		
03	A000-150800	AUXILIARY RELAY	辅助继电器	4		
04	801F-100101	TIE BAND	扎带	4		
05	8010-150003	TIE BAND 5x250	扎带	11		
06	30006-080014810	BOLT M8x14	螺栓	1		
07	6NT1-150600	HORN	喇叭	1		
08	8010-150002	CUSHION WASHER, FLASHER	闪烁器缓冲垫	1		
09	6FIA-150340-6400	FLASHER	闪烁器	1		
10	6KMV-151200-8500	SWITCH SIDE STAND	边撑开关	1		
11	6NQ#-000204-6001	BOLT, M6X16	螺栓M6x16	1		
12	6NQV-177000-2800	REGULATOR	整流调压器	1		
13	30006-060030810	BOLT M6x30	螺栓	2		
14	0180-014010	WIRE CLAMP	线夹组合	3		
15	A000-150200	POSITIVE CABLE, STARTER MOTOR	起动马达正极线	1		
17	9CR6-150310	STARTER RELAY	起动继电器	1		
18	31021000	BATTERY 12V10Ah	蓄电池	1		31021200
20	6WVW-045901-5000	RUBBER BUSHING, AUXILIARY RELAY	辅助继电器橡胶护套	3		
21	30118-420095010	SELF-TAPPING SCREW ST4.2x9.5	自攻螺钉	2		
22	8080-000002	CLIP NUT ST4.8	夹板ST4.8	2		
23	6KJ0-150600	SENSOR, ROLL-OVER	侧倾传感器	1		
24	0A70-014004	BOLT M5x25	螺栓	2		0A70-014004-00001
25	806A-151301	FUSE 7.5A	保险丝 7.5A	1		
26	6NTV-001000-D200	ECU ASSY	ECU总成	1		
27	30102-060016810	SCREW	螺钉	2		
28	806A-151302	FUSE 10A	保险丝 10A	2		
29	5270-150001	FOAM (LH&RH), BATTERY	蓄电池泡沫垫左右	1		
30	5270-150002	FOAM (FR &RR), BATTERY	蓄电池泡沫垫前后	1		
31	7030-150005	TIE BAND	扎带	1		
32	806A-151305	FUSE 15A	保险丝 15A	6		806A-151303
33	6GUV-151800-6800-M1	T-BOX (Turkey)	智能中控	1		
33	6GUV-151800-6900-M1	T-BOX (Brazil)	智能中控	1		
33	6GUV-151800-7100-M1	T-BOX (US+Canada+Mexico)	智能中控	1		
33	6GUV-151800-7300-M1	T-BOX (Other countries in South America except Brazil)	智能中控	1		
33	6GUV-151800-7500-M1	T-BOX (Europe+Australia+Middle East+Africa+Southeast Asia+West Asia)	智能中控	1		

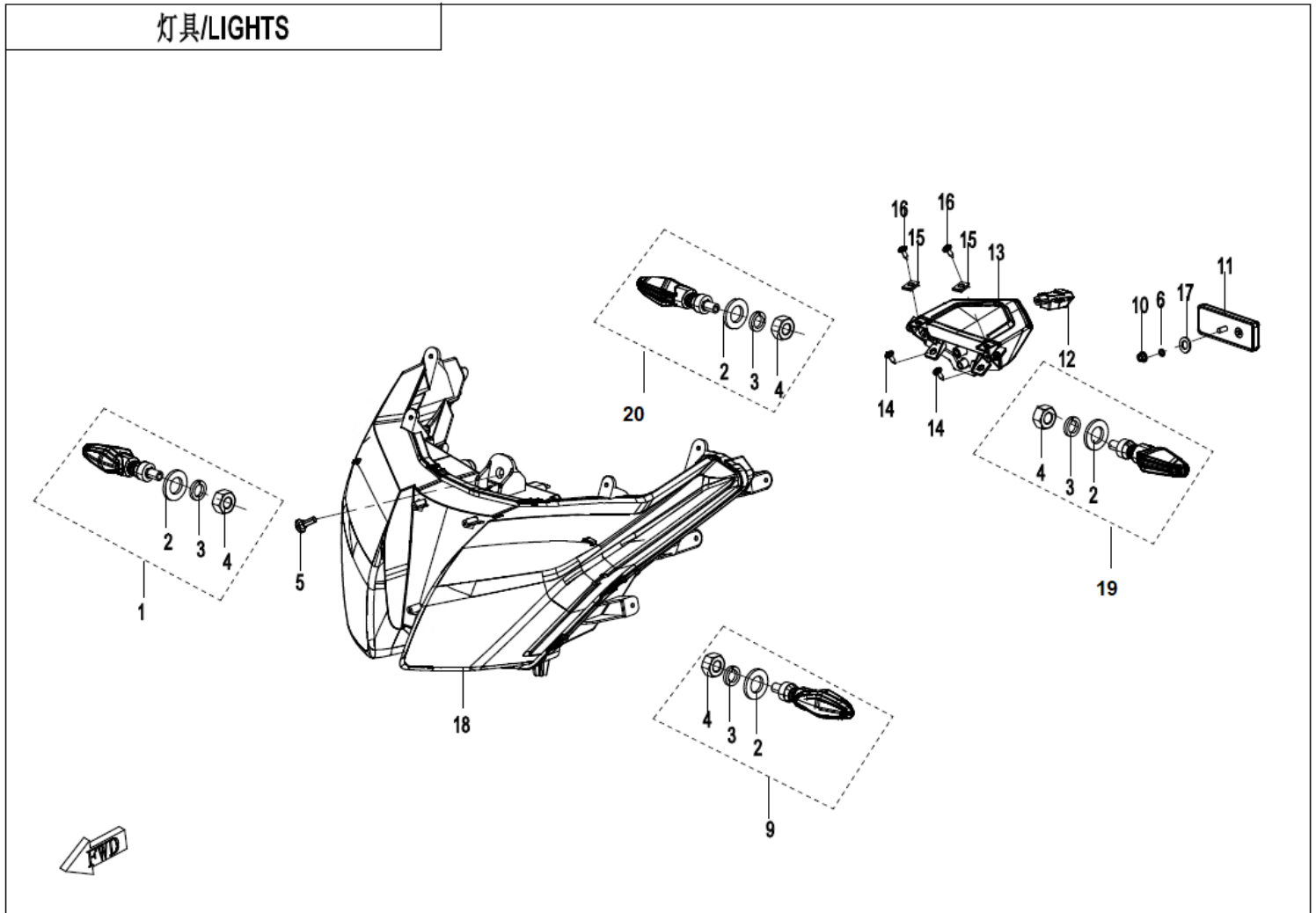
电器系统/ELECTRIC SYSTEM



F16-V2 灯具 LIGHTS

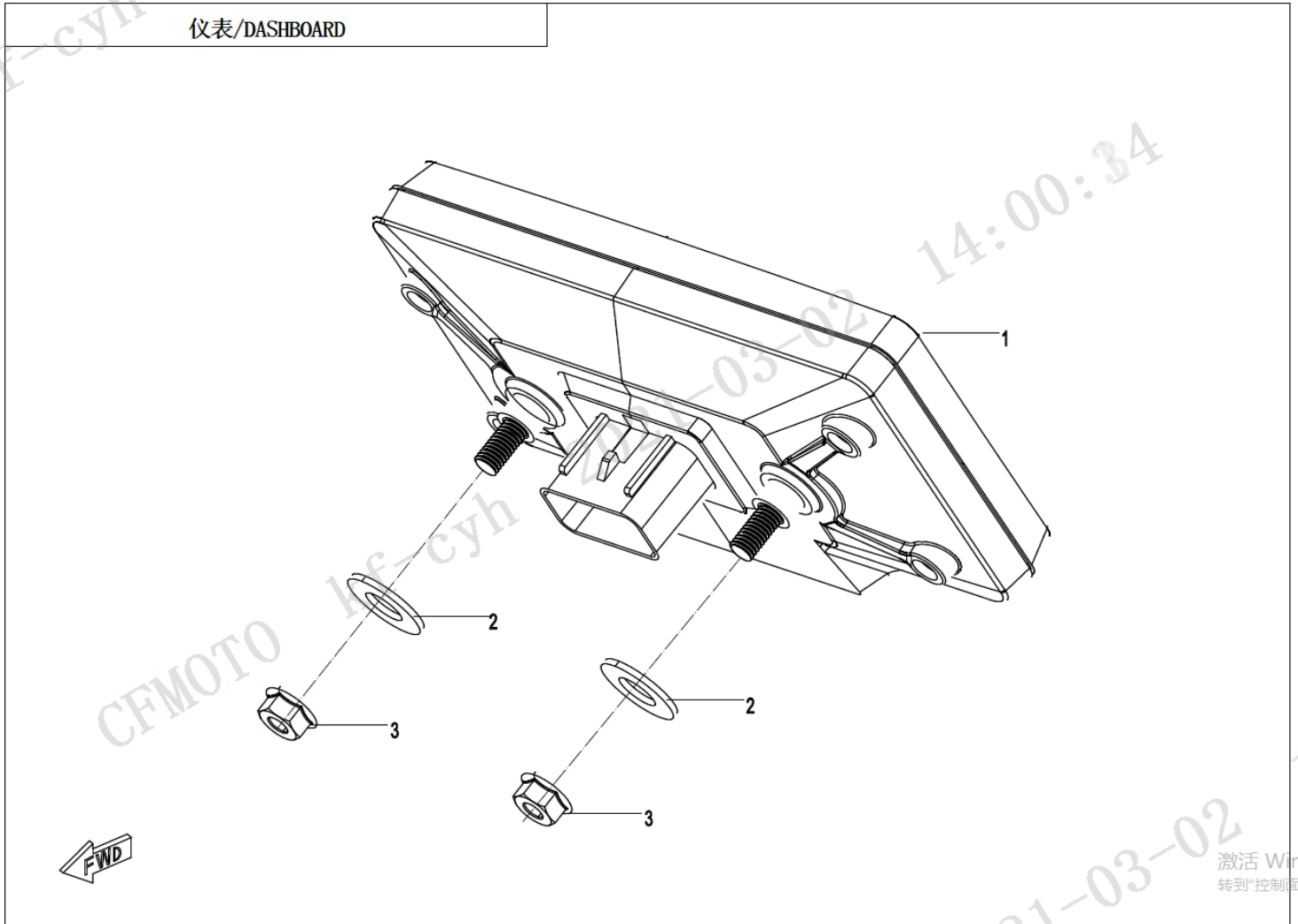
Item No.	Parts Number	Parts Name(EN)	Parts Name(CN)	Qty	Remark(s)	Alternative Parts
01	6KM0-160500-00004	FRONT TURN LIGHT, RH	前右转向灯	1		
02	30306-120112	WASHER 12	垫圈	4		
03	30303-100112	WASHER	垫圈	4		
04	30200-102810	NUT M10x1.25	螺母	4		30200-102800
05	8010-000004	BOLT M6x14	凸缘螺栓M6x14	1		
06	30303-050012	WAHSER	垫圈	1		30303-050042
09	6KM0-160400-00004	FRONT TURN LIGHT, LH	前左转向灯	1		
10	30202-050170	NUT M5	螺母	1		
11	5190-160230	REAR REFLECTOR (RECTANGLE, RED)	后反射器	1		
12	6KJC-160300-8000	LICENSE LIGHT	牌照灯	1		6FIV-160600-6601
12	6FIV-160600-6601	HEADLIGHT	牌照灯	1		
13	6KMV-160200-B101	TAIL LIGHT	后尾灯	1		
14	30110-421130010	SELF-TAPPING SCREW ST4.2x13	自攻螺钉	2		
15	8080-000002	CLIP NUT ST4.8	夹板ST4.8	2		
16	30110-481130010	SELF-TAPPING SCREW ST4.8x13	自攻螺钉	2		
17	30304-050440	WASHER	垫圈	1		
18	6NQV-160100-6200	HEADLIGHT	前照灯	1		
19	6KM#-160400-8000	LH FRONT TURN LIGHT	左前转向灯	1		
20	6KM#-160500-8000	RH FRONT TURN LIGHT	右前转向灯	1		

灯具/LIGHTS



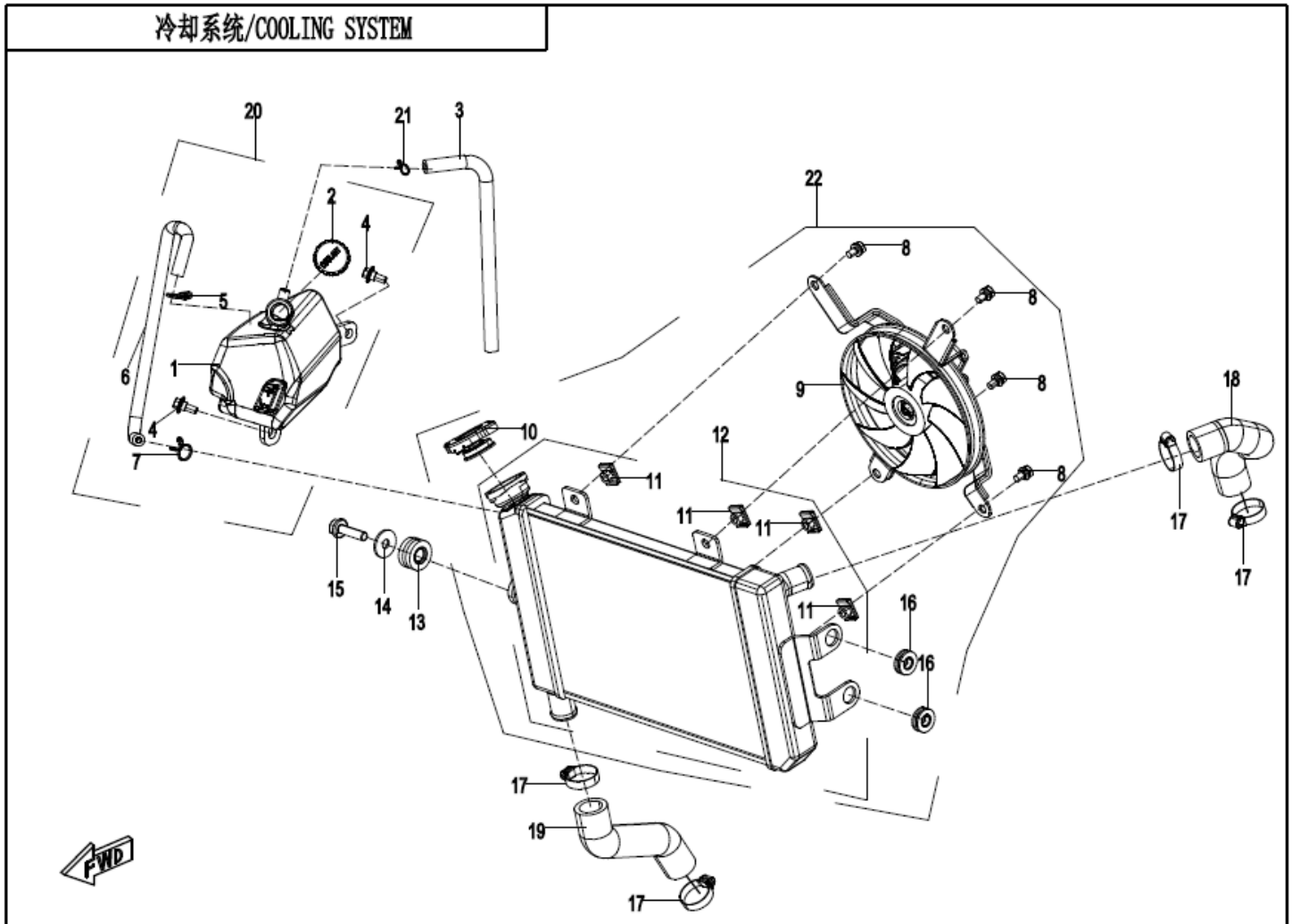
F17-A 仪表 DASHBOARD

Item No.	Parts Number	Parts Name(EN)	Parts Name(CN)	Qty	Remark(s)	Alternative Parts
01	6NTV-171000-D201	LCD DASHBOARD	液晶仪表	1		
02	30305-060112	WASHER 6	垫圈	2		
03	30202-060110	NUT M6	螺母	2		30204-060810



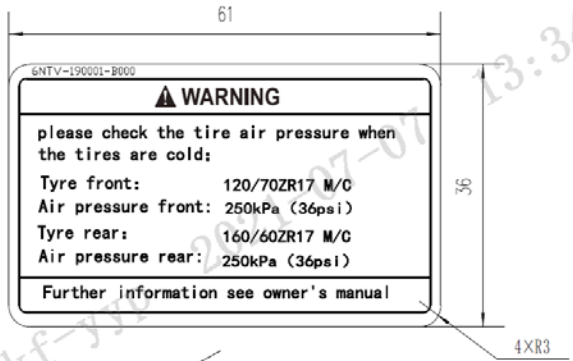
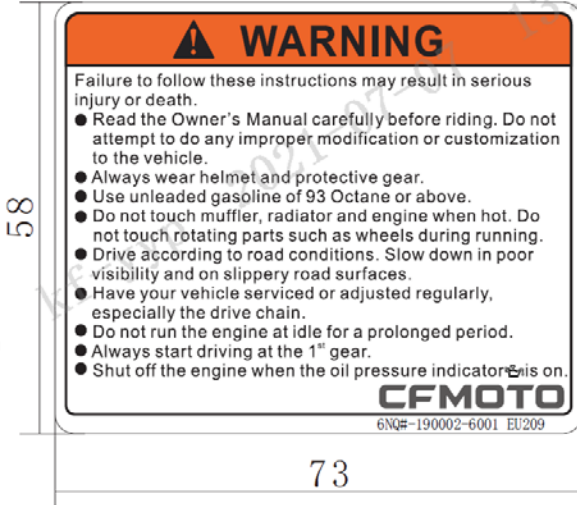
F18 冷却系统 COOLING SYSTEM

Item No.	Parts Number	Parts Name(EN)	Parts Name(CN)	Qty	Remark(s)	Alternative Parts
01	6NT1-180310	RESERVOIR WATER TANK	副水箱组件	1		
02	6KJ0-180302	CAP, RESERVOIR TANK	副水箱盖	1		
03	6090-360003	VACUUM PIPE, CANISTER	碳罐负压管	1		
04	8010-000004	BOLT M6x14	凸缘螺栓M6x14	2		
05	30601-212530	CLAMP B12.5	环箍B12.5	1		
06	6NQ#-180001-6000	CONNECTING PIPE, RESERVOIR TANK	副水箱连接管	1		
07	30601-210530	CLAMP B10.5	环箍B10.5	2		
08	30112-060012410	SCREW ASSY M6x12	螺钉组合件	4		
09	6NQV-181200-2800	FAN MOTOR ASSY	风扇电机组合	1		
10	A000-180400	CAP, WATER FILLER	加水口盖组件	1		
11	8030-040800-00001	NUT CLIP M6	M6螺母夹	4		
12	A010-180100-20000	RADIATOR	散热器	1		
13	A000-180005	DAMPER2, RADIATOR	散热器减震胶垫II	1		
14	A000-180010-1000	COLLAR, RADIATOR	散热器减震胶垫II衬套	1		A000-180010-20000
15	30006-080030810	BOLT M8x30	螺栓	1		
16	A000-180004	DAMPER1,RADIATOR	散热器减震胶垫 I	2		
17	A000-180006	CLAMP B30	环箍B30	4		
18	A000-180001-1000	WATER INLET HOSE, RADIATOR	散热器进水管	1		A000-180001-20000,A000-180002-20000
19	A000-180002-1000	WATER OUTLET HOSE, RADIATOR	散热器出水管	1		A000-180001-20000,A000-180002-20000
20	6NQ#-1803A0-6000	RESERVOIR TANK ASSY	副水箱组合	1		
21	30601-207050	CLAMP B7	环箍B7	1		
22	6NQV-181000-6200	FAN ASSY, RADIATOR	散热器风扇组合	1		



F19-1-V2 警告贴花 WARNING DECAL

Item No.	Parts Number	Parts Name(EN)	Parts Name(CN)	Qty	Remark(s)	Alternative Parts
01	6NQ#-190002-6001	INSTRUCTION LABEL, SAFETY WARNING	安全警告说明标贴	1		6NQ#-190002-6002
01	6NQ#-190002-6002	INSTRUCTION LABEL, SAFETY WARNING	安全警告说明标题	1		
02	6KJ0-190001-10000	CFMOTO LOGO	春风圆标	2		
03	9GQA-190201-10000	WARNING LABEL, FUEL FILLING PORT	加油口警告标贴	1		
04	6NTV-190001-B000	INSTRUCTION LABEL, TIRE PRESSURE	轮胎气压说明标贴	1		



4

F19-2-A 个性贴花(星光白) DECAL KITS(NEBULA WHITE)

Item No.	Parts Number	Parts Name(EN)	Parts Name(CN)	Qty	Remark(s)	Alternative Parts
01	6NTV-190101-D001-10	MODEL DECAL	LOGO贴花	2		
02	6NTV-190102-D000-10	DECAL 1, RH RESERVOIR PANEL	右水箱护板贴花 I	1		
03	6NTV-190103-D000-10	DECAL 1, LH RESERVOIR PANEL	左水箱护板贴花 I	1		
04	6NQV-190104-A000-10	ABS DECAL	ABS贴花	2		
05	6NQV-190105-A000-10	LOGO DECAL	LOGO贴花	1		
06	6NTV-190106-D000-10	DECAL 2, RH RESERVOIR PANEL	右水箱护板贴花 II	1		
07	6NTV-190107-D000-10	DECAL 2, LH RESERVOIR PANEL	左水箱护板贴花 II	1		
08	6NTV-190108-D000-10	DECAL, RH REAR PANEL	右后护板贴花	1		
09	6NTV-190109-D000-10	DECAL, LH REAR PANEL	左后护板贴花	1		
10	6NTV-190100-D001-10	DECAL ASSY	个性贴花总成	1		

6NTV-190100-D001-10 个性贴花总成
星光白配色

PANTONE 873C
 PANTONE Cool Gray 8C
 PANTONE Silver C + 银粉
— 刀模线
— 定位线

序号	图号	名称	尺寸	数量	材料	表面效果	粘接弧度	粘接表面基材	粘接表面处理
02	6NTV-190102-D000-10	右水箱护板贴花 I	453*80	1	3M 2008透明	亮光光油	3D小弧度	塑料	亮光油漆

序号	图号	名称	尺寸	数量	材料	表面效果	粘接弧度	粘接表面基材	粘接表面处理
03	6NTV-190103-D000-10	左水箱护板贴花 I	382*80	1	3M 2008透明	亮光光油	3D小弧度	塑料	亮光油漆



序号	图号	名称	尺寸	数量	材料	表面效果	粘接弧度	粘接表面基材	粘接表面处理
04	6NQV-190104-A000-10	ABS贴花	41*10	2	3M 2008透明	亮光光油	平面	塑料	亮光油漆



序号	图号	名称	尺寸	数量	材料	表面效果	粘接弧度	粘接表面基材	粘接表面处理
06	6NTV-190106-D000-10	右水箱护板贴花 II	190*50	1	3M 2008透明	亮光光油	3D小弧度	塑料	亮光油漆

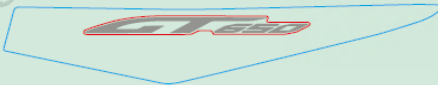


序号	图号	名称	尺寸	数量	材料	表面效果	粘接弧度	粘接表面基材	粘接表面处理
05	6NQV-190105-A000-10	LOGO贴花	50*50	1	3M 2008透明	亮光光油	平面	亚克力玻璃	无

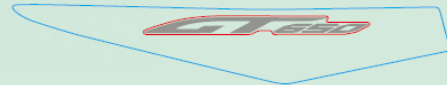
序号	图号	名称	尺寸	数量	材料	表面效果	粘接弧度	粘接表面基材	粘接表面处理
07	6NTV-190107-D000-10	左水箱护板贴花 II	190*50	1	3M 2008透明	亮光光油	3D小弧度	塑料	亮光油漆



序号	图号	名称	尺寸	数量	材料	表面效果	粘接弧度	粘接表面基材	粘接表面处理
08	6NTV-190108-D000-10	右后护板贴花	275*53	1	3M 2008透明	亮光光油	3D小弧度	塑料	亮光油漆



序号	图号	名称	尺寸	数量	材料	表面效果	粘接弧度	粘接表面基材	粘接表面处理
09	6NTV-190109-D000-10	左后护板贴花	275*53	1	3M 2008透明	亮光光油	3D小弧度	塑料	亮光油漆



PP件颜色

备注: 黑PP件 (做到无色差)

钛金灰

备注: 钛金灰请按色板调 (做到无色差)



序号	图号	名称	尺寸	数量	材料	表面效果	粘接弧度	粘接表面基材	粘接表面处理
01	6NTV-190101-D001-10	型号贴花	107*11	2	3M 2008光白	亮光光油	平面	塑料	覆皮纹

F19-2-C 个性贴花(骑士黑) DECAL KITS (KNIGHT BLACK)

Item No.	Parts Number	Parts Name(EN)	Parts Name(CN)	Qty	Remark(s)	Alternative Parts
1	6NTV-190101-D001-10	MODEL DECAL	LOGO贴花	2		
2	6NTV-190102-D000-11	DECAL 1, RH RESERVOIR PANEL	右水箱护板贴花 I	1		
3	6NTV-190103-D000-11	DECAL 1, LH RESERVOIR PANEL	左水箱护板贴花 I	1		
4	6NTV-190104-D000-11	ABS DECAL	ABS贴花	2		
5	6NQV-190105-A000-10	LOGO DECAL	LOGO贴花	1		
6	6NTV-190106-D000-11	DECAL 2, RH RESERVOIR PANEL	右水箱护板贴花 II	1		
7	6NTV-190107-D000-11	DECAL 2, LH RESERVOIR PANEL	左水箱护板贴花 II	1		
8	6NTV-190108-D000-11	DECAL, RH REAR PANEL	右后护板贴花	1		
9	6NTV-190109-D000-11	DECAL, LH REAR PANEL	左后护板贴花	1		
10	6NTV-190100-D001-11	DECAL ASSY	个性贴花总成	1		

6NTV-190100-D001-11 个性贴花总成

骑士黑配色

雅典蓝 星光黑 钛金灰 PANTONE Silver C + 银粉 刀模线
定位线

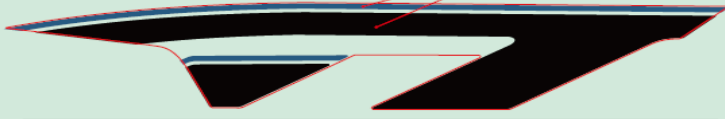
备注: 雅典蓝/星光黑/钛金灰请按色板调(做到无色差)

序号	图号	名称	尺寸	数量	材料	表面效果	粘接弧度	粘接表面基材	粘接表面处理
02	6NTV-190102-D000-11	右水箱护板贴花 I	453*40	1	3M 2008透明	G1图形透光, 其它透光	3D小弧度	塑料	哑光油漆

G1图形透光, 透明部分透光

序号	图号	名称	尺寸	数量	材料	表面效果	粘接弧度	粘接表面基材	粘接表面处理
03	6NTV-190103-D000-11	左水箱护板贴花 I	302*40	1	3M 2008透明	G1图形透光, 其它透光	3D小弧度	塑料	哑光油漆

G1图形透光, 透明部分透光



序号	图号	名称	尺寸	数量	材料	表面效果	粘接弧度	粘接表面基材	粘接表面处理
04	6NTV-190104-D000-11	ABS贴花	41*10	2	3M 2008透明	哑光	平面	塑料	哑光油漆

ABS

序号	图号	名称	尺寸	数量	材料	表面效果	粘接弧度	粘接表面基材	粘接表面处理
06	6NTV-190106-D000-11	右水箱护板贴花 II	193*50	1	3M 2008透明	G1图形透光, 其它透光	3D小弧度	塑料	哑光油漆

图形部分透光, CFMOTO 字体透光

序号	图号	名称	尺寸	数量	材料	表面效果	粘接弧度	粘接表面基材	粘接表面处理
05	6NQV-190105-A000-10	LOGO贴花	90*50	1	3M 2008透明	哑光	平面	亚克力玻璃	无



序号	图号	名称	尺寸	数量	材料	表面效果	粘接弧度	粘接表面基材	粘接表面处理
07	6NTV-190107-D000-11	左水箱护板贴花 II	193*50	1	3M 2008透明	G1图形透光, 其它透光	3D小弧度	塑料	哑光油漆

图形部分透光, CFMOTO 字体透光



序号	图号	名称	尺寸	数量	材料	表面效果	粘接弧度	粘接表面基材	粘接表面处理
08	6NTV-190108-D000-11	右后护板贴花	275*53	1	3M 2008透明	字体部分透光, 其它透光	3D小弧度	塑料	哑光油漆

G160字体透光, 透明部分透光



序号	图号	名称	尺寸	数量	材料	表面效果	粘接弧度	粘接表面基材	粘接表面处理
09	6NTV-190109-D000-11	左后护板贴花	275*53	1	3M 2008透明	字体部分透光, 其它透光	3D小弧度	塑料	哑光油漆

G160字体透光, 透明部分透光



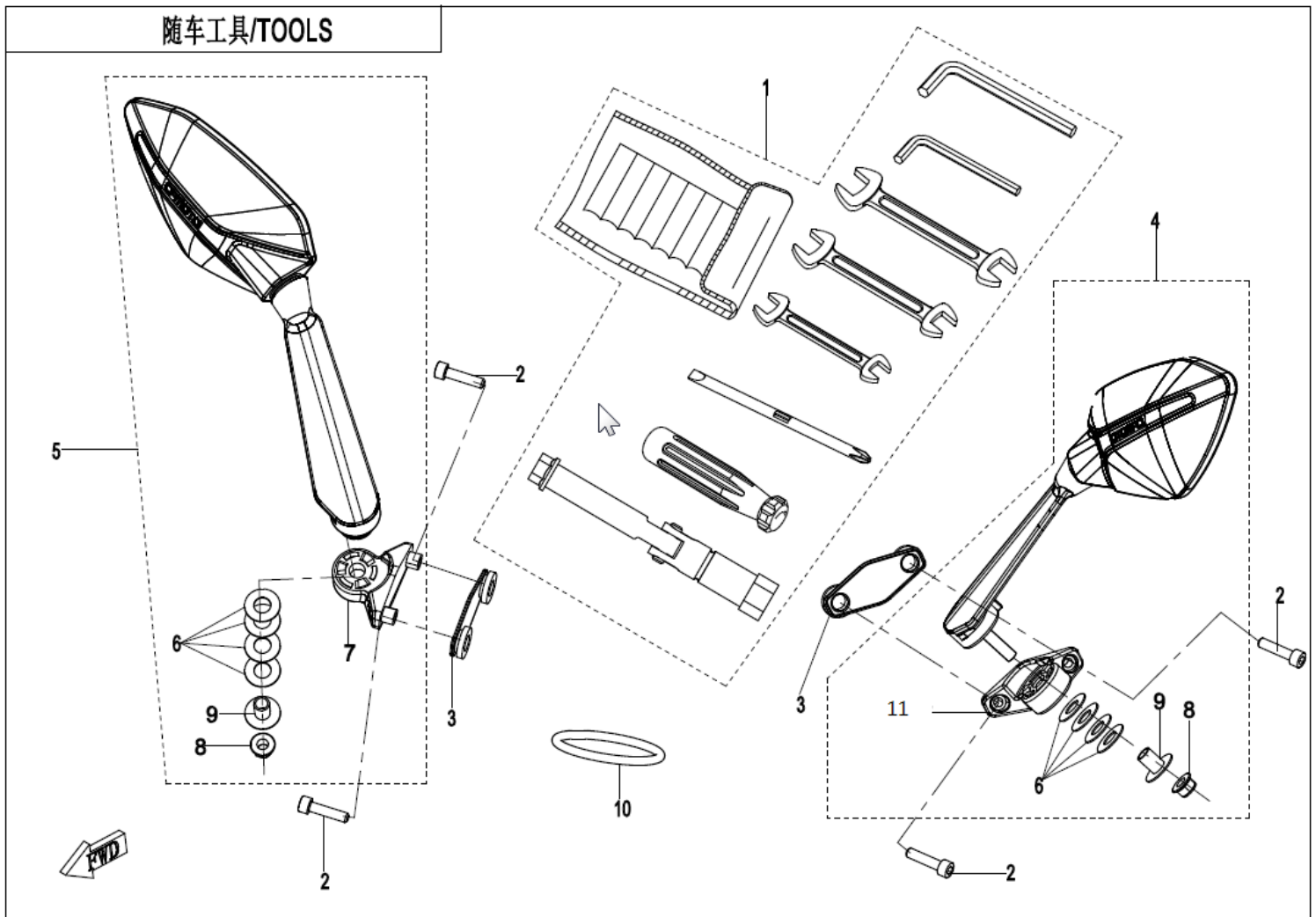
PP件颜色 钛金灰
备注: 调PP件(做到无色差) 备注: 钛金灰请按色板调(做到无色差)

序号	图号	名称	尺寸	数量	材料	表面效果	粘接弧度	粘接表面基材	粘接表面处理
01	6NTV-190100-D001-10	型号贴花	107*11	2	3M 2008乳白	哑光	平面	塑料	细皮纹



F20 随车工具 TOOLS

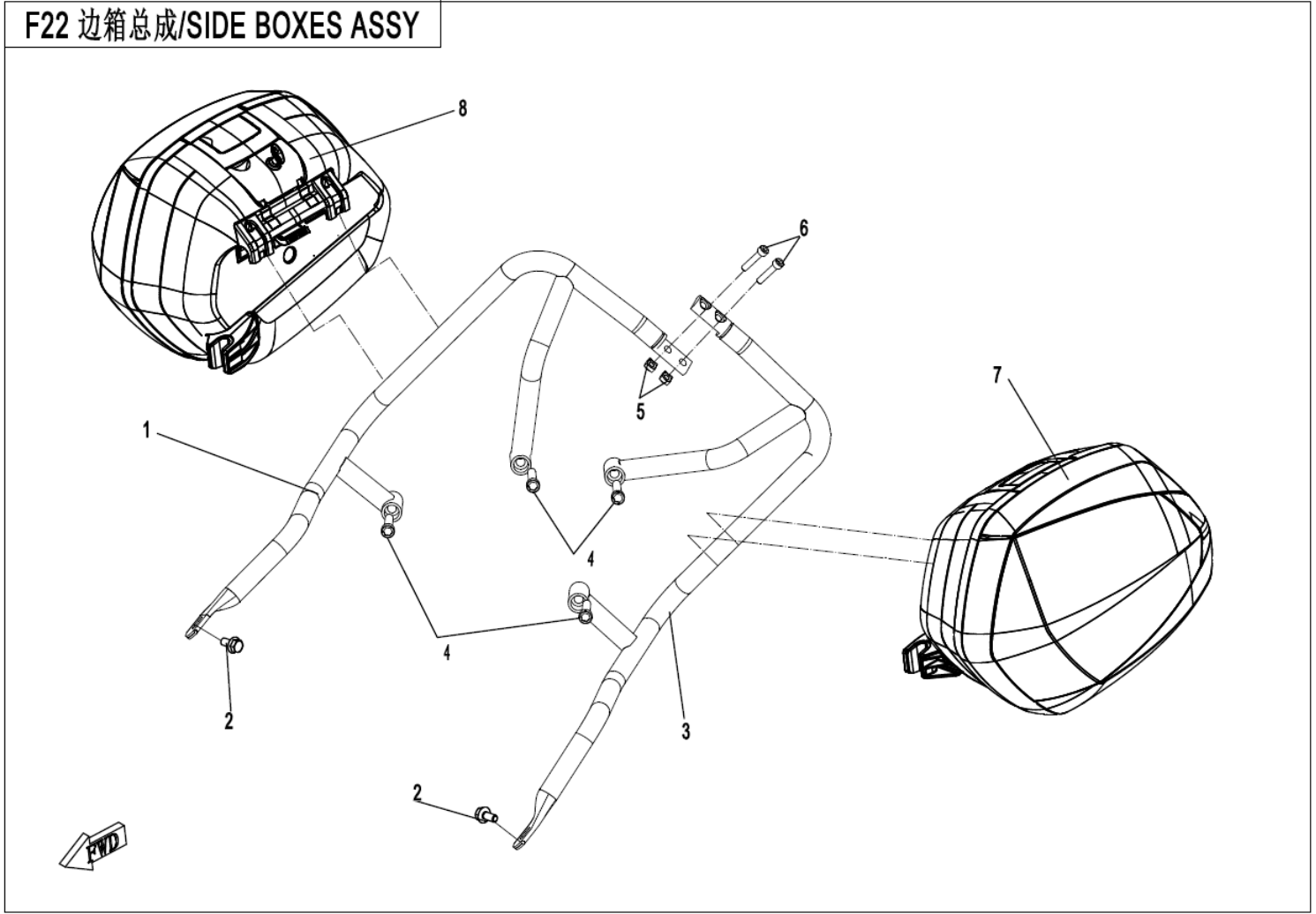
Item No.	Parts Number	Parts Name(EN)	Parts Name(CN)	Qty	Remark(s)	Alternative Parts
01	6NQ0-200100	TOOLS	随车工具	1		6NQ0-200100-10000
02	30102-060025870	SCREW M6x25	螺钉	4		
03	6NQ#-200001-6000	RUBBER MAT	安装橡胶垫	2		
04	6NQ#-200300-6001	REAR VIEW MIRROR, LH	左后视镜总成	1		
05	6NQ#-200400-6001	REAR VIEW MIRROR, RH	右后视镜总成	1		
06	30305-060112	WASHER 6	垫圈	8		
07	6NQ#-200401-6000	MOUNTING BRACKET, REAR RH VIEW MIRROR	右后视镜安装座	1		
08	30204-080810	NUT M8	螺母	2		
09	6NQ#-200300-6000-24	SLEEVE	衬套	2		
10	6100-200001	TIE BAND, TOOLS KIT	随车工具拉带	2		
11	6NQ#-200301-6001	MOUNTING BRACKET, REAR LH VIEW MIRROR	左后视镜安装座	1		



F22 边箱(塑料) SIDE BOXES(PLASTIC)

Item No.	Parts Number	Parts Name(EN)	Parts Name(CN)	Qty	Remark(s)	Alternative Parts
01	6NQV-220200-6001-0BP00	SUPPORTER, RH SIDE BOX	右边箱支撑架组合	1		
02	30006-080014810	BOLT M8x14	螺栓	2		
03	6NQV-220100-6001-0BP00	SUPPORTER, LH SIDE BOX	左边箱支撑架组合	1		
04	30102-080045810	INNER HEX SCREW M8x45	螺钉	4		
05	30204-060810	NUT M6	螺母	2		
06	30102-060025870	SCREW M6x25	螺钉	2		
07	6NQ#-220300-6000	LH SIDE BOX	左边箱	1		
08	6NQ#-220400-6000	RH SIDE BOX	右边箱	1		

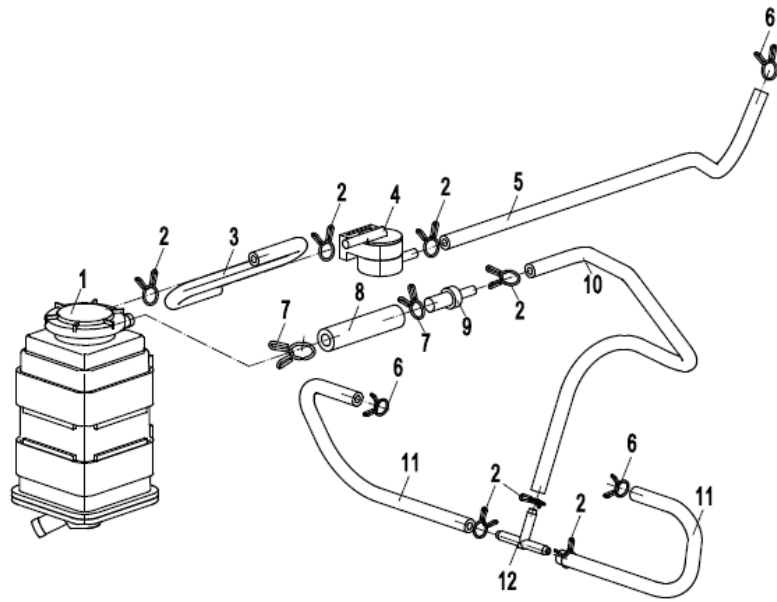
F22 边箱总成/SIDE BOXES ASSY



F36 燃油蒸发系统 FUEL VAPORIZATION SYSTEM

Item No.	Parts Number	Parts Name(EN)	Parts Name(CN)	Qty	Remark(s)	Alternative Parts
01	6L30-360200	CANISTER	碳罐	1		
02	30601-108010	CLAMP A8	环箍A8	7		
03	6NQ0-360002	FUEL VAPOR HOSE 2	燃油蒸气管Ⅱ	1		
04	606B-360100	ANTI-ROLLOVER VALVE	防倾倒阀	1		
05	6NT1-360003	FUEL VAPOR HOSE 3	燃油蒸气管Ⅲ	1		
06	30601-109010	CLAMP A9	环箍	3		
07	30601-112010	CLAMP A12	环箍	2		
08	6NQ0-360002	FUEL VAPOR HOSE 2	燃油蒸气管Ⅱ	1		
09	8010-180018	JOINT, HEAT TRANSMIT PIPE	传热水管接头	1		
10	6NTV-360001-D000	FUEL DESORPTION PIPE	燃油脱附管	1		
11	6NQ0-360002	FUEL VAPOR HOSE 2	燃油蒸气管Ⅱ	2		
12	8010-360001	VACUUM T-JOINT	负压三通接头	1		

F36 燃油蒸发系统 FUEL VAPORIZATION SYSTEM



F38-A 说明书 OWNER'S MANUAL

Item No.	Parts Number	Parts Name(EN)	Parts Name(CN)	Qty	Remark(s)	Alternative Parts
01	6NQV-380102-A100-12	OWNERS MANUAL (EU5)	使用说明书	1		
01	6NTV-380101-D300-12	OWNERS MANUAL (EU5 A2)	使用说明书	1		

400GT 650GT

CF400-5F/CF650-8F
OWNER'S MANUAL

www.cfmoto.com

 **CFMOTO**
EXPERIENCE MORE TOGETHER

F38-B 说明书(德语) OWNER'S MANUAL(GERMAN)

Item No.	Parts Number	Parts Name(EN)	Parts Name(CN)	Qty	Remark(s)	Alternative Parts
01	6NTV-380101-D200-15	OWNERS MANUAL	使用说明书	1		

650GT

CF650-8F
BEDIENUNGSANLEITUNG

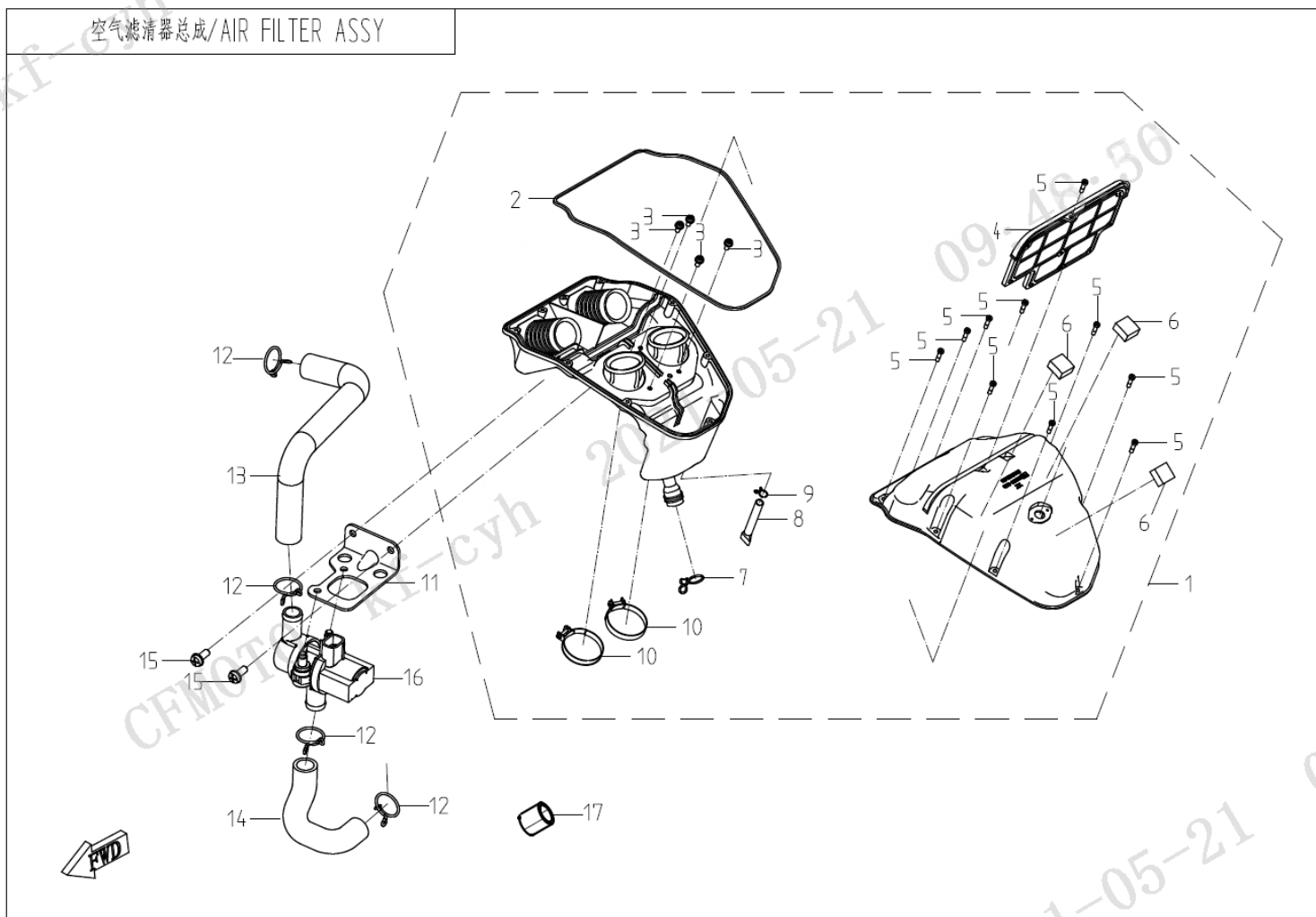
www.cfmoto.com

Version EU5.0 / 01 December 2020

CFMOTO
EXPERIENCE MORE TOGETHER

F41 空滤器 AIR FILTER

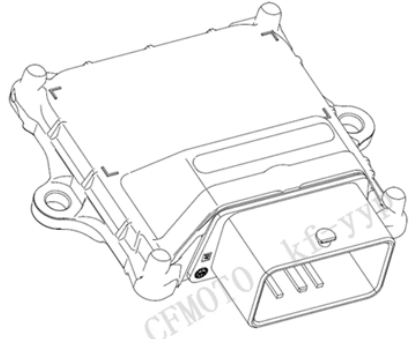
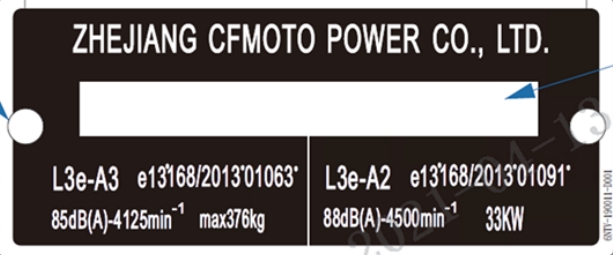
Item No.	Parts Number	Parts Name(EN)	Parts Name(CN)	Qty	Remark(s)	Alternative Parts
01	0HTV-111000-3000	AIR FILTER	空气滤清器	1		
02	0700-111002	SEAL RING	密封圈	1		
03	30102-060012810	SCREW	螺钉	4		
04	0700-111100	FILTER ELEMENT	滤芯组件	1		
05	30110-480200040	SELF-TAPPING SCREW ST4.8x20-F-H	自攻螺钉ST4.8x20-F-H	10		
06	0700-111004	DAMPER FOAM	减震泡沫	3		
07	30601-124020	CLAMP A24	环箍A24	1		
08	0700-111006	OIL STORAGE HOSE	储油管	1		
09	30601-110010	CLAMP A10	环箍	1		
10	0700-111011	CLAMP 56, AIR INLET PIPE	进气管卡箍组件56	2		
11	0HU0-110010	BRACKET, SECONDARY GULP VALVE	二次补气阀支架组合	1		
12	30601-118010	CLAMP A18	环箍	4		
13	0HU0-110002-10000	AIR OUTLET PIPE, GULP VALVE	补气阀出气管	1		
14	0HU0-110001-10000	AIR INLET PIPE, GULP VALVE	补气阀进气管	1		
15	30112-050012410	SCREW ASSY M5x12	螺钉组合件	2		
16	0HU0-179000	GULP VLAVE	二次补气阀	1		
17	0HTC-140005	RESTRICTION PLU	节流塞	1		



F88 欧五 A2状态专用件 EU5 A2 PARTS

Item No.	Parts Number	Parts Name(EN)	Parts Name(CN)	Qty	Remark(s)	Alternative Parts
01	6NTV-001000-C100	ECU ASSY (EU5 A2)	ECU总成	1		
02	6NTV-190011-D001	VEHICLE PLATE (EU5 A2)	车辆铭牌	1		

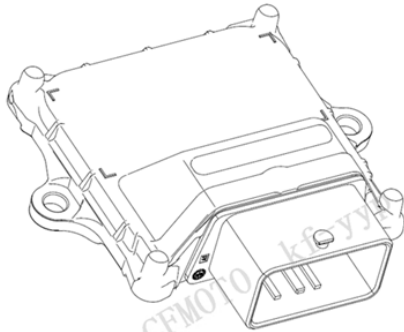
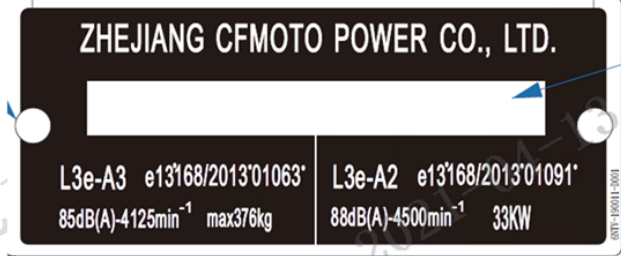
贴花 /DECAL KITS



F89 欧五 A3状态专用件 EU5 A3 PARTS

Item No.	Parts Number	Parts Name(EN)	Parts Name(CN)	Qty	Remark(s)	Alternative Parts
01	6NTV-001000-D200	ECU ASSY	ECU总成	1		
02	6NTV-190011-D001	VEHICLE PLATE	车辆铭牌	1		
02	A000-191004	VIN PLATE (AUSTRALIA)	车辆铭牌	1	For Australia	

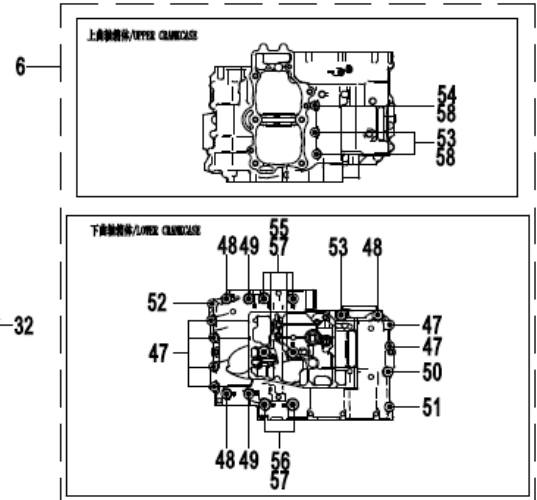
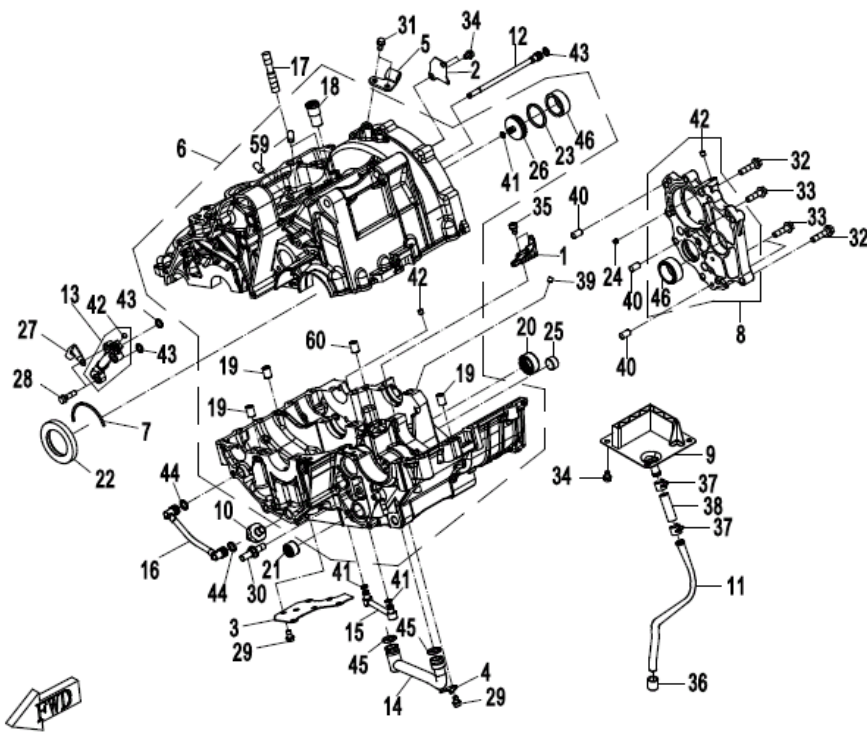
贴花/DECAL KITS



E01-1 上&下曲轴箱分总成 UPPER & LOWER CRANKCASE

Item No.	Parts Number	Parts Name(EN)	Parts Name(CN)	Qty	Remark(s)	Alternative Parts
01	0700-012300	PLATE, OIL SHIELDING	油室分隔板组件	1		
02	0700-011104	GUARD, BREATHER	呼吸器挡板	1		
03	0700-012006	PLATE, LOWER CRANKCASE	下箱体盖板	1		
04	0700-070001	PLATE, OIL PIPE1	过油管 I 压板	1		
05	0700-010002	HOLDER, CLUTCH CABLE	离合拉线支架	1		
06	0700-0100A0-1B20	CRANKCASE ASSY (MATTE BLACK)	曲轴箱合件	1		
07	0700-010001	RING 62, BEARING	轴承止动环62	1		
08	0700-0660A0	GEAR CASE	变档室盖合件	1		
09	0700-011410	BREATHER ASSY	呼吸器焊接合件	1		
10	0700-012500	SWITCH, OIL PRESSURE	机油低压报警开关	1		
11	0700-011402-1000	OIL RETURN HOSE	回油管	1		
12	0700-011310	OIL PIPE 5	过油管V合件	1		
13	0700-0112A0-0B20	OIL PIPE 4 (MATTE BLACK)	过油管IV合件	1		
14	0700-070300	OIL PIPE 1	过油管 I 合件	1		
15	0700-012210	OIL PIPE 3	过油管III合件	1		
16	0700-012710	OIL PIPE 2	过油管II合件	1		
17	0700-011102-00001	STUD M10x57	双头螺柱	1		
18	0700-011103	PIPE BREATHER	呼吸器通气管	1		
19	30410-01000	ROLLER 10x14	圆柱滚子10X14	3		
20	30403-02200	NEEDLE BEARING HK2212	滚针轴承HK2212	1		
21	30403-01300	NEEDLE BEARING HK1312	滚针轴承HK1312	1		
22	0700-010200	OIL SEAL 40x62x8, COUNTERSHAFT	副轴油封	1		
23	0700-011112	O-SEAL RING 29x2.5	O形密封圈	1		
24	0700-066006-00002	OIL LIMIT PLUG	限油螺咀	1		
25	0700-012105-00001	PLUG, MAIN OIL RAIL	主油道锥堵	1		
26	0700-011106	PLUG, UPPER CRANKCASE	上箱油堵	1		
27	0180-014010	WIRE CLAMP	线夹组合	1		
28	0010-080013-0010	BOLT M6x22	螺栓	2		
29	0010-080010-00001	BOLT	螺栓	7		
30	0700-012107-00001	DOWEL PIN, TRANSMISSION SPRING	换挡轴扭簧定位销	1		
31	0010-021019-0010	BOLT M6x12	螺栓	2		
32	0700-066004-00001	BOLT M7x30	螺栓	6		
33	0700-066007-00001	BOLT M7x26	螺栓M7x26	3		
34	0700-011105-00002	BOLT	螺栓	6		
35	0700-012012-00001	SCREW M6x8	螺钉	2		0700-012012-00002
36	0700-011403	DAMPER, OIL RETURN HOSE	回油管减震橡胶套	1		
37	30601-211550	STEEL BAND CLAMP B11.5	钢带管箍B11.5	2		
38	0700-011401	CONNECTING PIPE BREATHER	呼吸器连接管	1		
39	0700-012104-00002	SCREW PLUG M6, OIL PASSAGE	油道螺堵M6	1		
40	0700-022018	SOLID PIN 8x14	实心销	3		
41	0700-012201	O-SEAL RING 5x2	O形密封圈	3		
42	0700-066005	PLUG 6	堵头6	2		
43	0700-011202	O-SEAL RING 8.2x1.90	O型密封圈	3		
44	0700-012701	O-SEAL RING 10x2	O型密封圈10x2	2		
45	0700-070003	O-SEAL RING 14x2.5	O形密封圈	2		
46	0700-011107	SHAFT SLEEVE	轴套	2		
47	0700-012007-00001	BOLT M7x40	螺栓	6		
48	0700-012004-00001	BOLT M8x60	螺栓	3		0700-012004-00002
49	0700-012003-00001	BOLT M8x73	螺栓	2		0700-012003-00002
50	0700-012011-00001	BOLT M8x50	螺栓	1		
51	0700-012009-00001	BOLT M7x34	螺栓	1		
52	0700-012005-00001	BOLT M7x47	螺栓	1		
53	0700-011001-00001	BOLT M8x110	螺栓	3		
54	0700-011002-00001	BOLT M8x120	螺栓	1		
55	0700-012001	BOLT M9x113	螺栓	4		
56	0700-012008-00001	BOLT M9x83	螺栓	2		
57	0700-012002	WASHER 9.2x19x2.3	垫圈	6		
58	0010-022012	WASHER 8	垫圈8	3		
59	0800-011400	NOZZLE VALVE ASSY	喷嘴阀组件	2		
60	01A0-056004	DOWEL PIN Dia 6x12	定位销φ6×12	1		

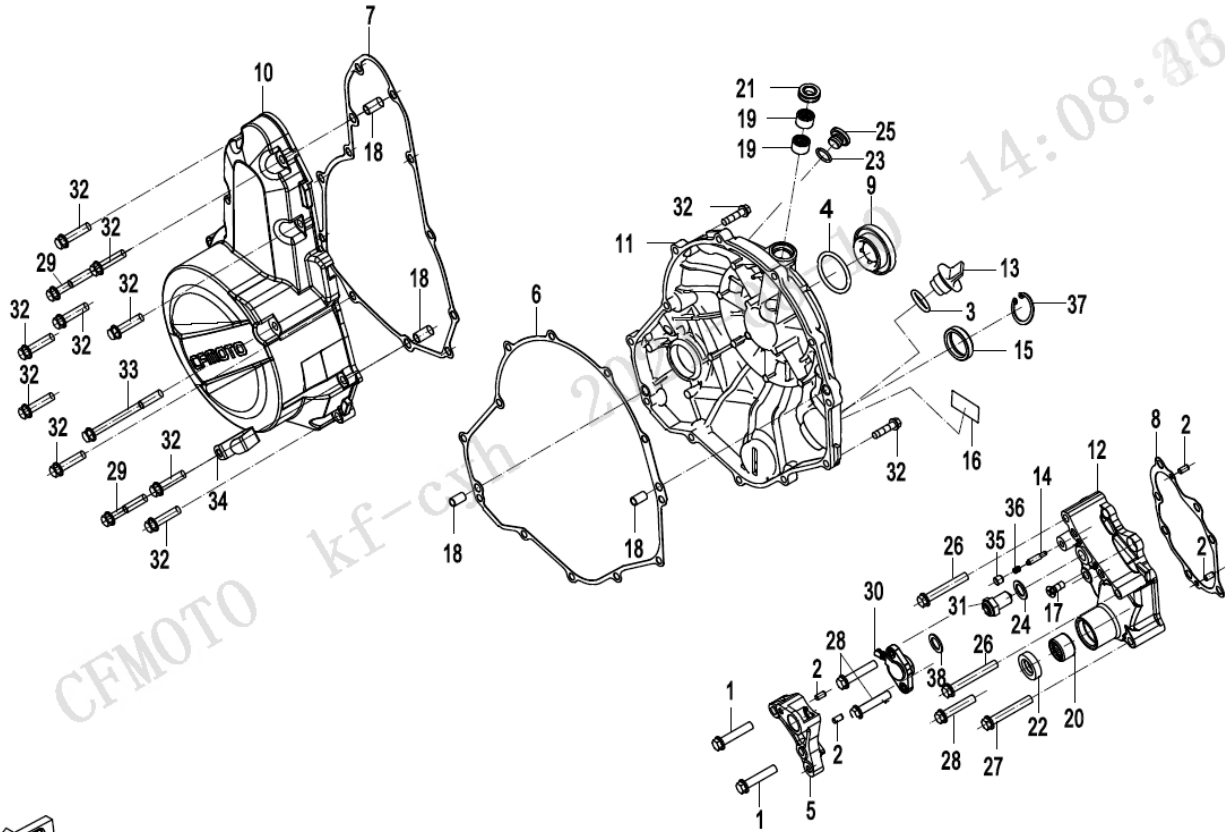
E01-1 上和下曲轴箱分总成/UPPER & LOWER CRANKCASE



E01-2 右&左侧盖分总成 RIGHT&LEFT SIDE COVER

Item No.	Parts Number	Parts Name(EN)	Parts Name(CN)	Qty	Remark(s)	Alternative Parts
02	30406-00401	ROLLER NEEDLE P4x7.8	滚针P4x7.8	4		
03	0110-013030	O-SEAL RING 18x3.55	O形密封圈	1		
04	01A0-012003	O-SEAL RING 35x3.5	O形密封圈	1		
05	0700-065301	HOLDER	支座	1		
06	0700-013002-10000	GASKET, RH SIDE COVER	右侧盖密封垫	1		
07	0700-014002-10000	GASKET, LH SIDE COVER	左侧盖密封垫	1		
08	0700-065202-10000	GASKET, TRANSMISSION COVER	换挡轴盖垫片	1		
09	01A0-012002-0BY00	STRAINER COVER	滤网盖	1	Nano black	
09	01A0-012002-0H300	STRAINER COVER (SILVER BLACK)	滤网盖	1		
09	01A0-012002-0H700	COVER, OIL STRAINER (SILVER GREY)	滤网盖	1		01A0-012002-0HA00
10	0700-014001-CH700	LH SIDE COVER (SILVER GREY)	左侧盖	1		
10	0700-014001-CH300	LH SIDE COVER (SILVER BLACK)	左侧盖	1		
10	0700-014001-CBY00	LH SIDE COVER	左侧盖	1	Nano black	
11	0700-013001-9BY00	RH SIDE COVER	右侧盖	1		
11	0700-013001-9H700	RH SIDE COVER (SILVER GREY)	右侧盖	1		
11	0700-013001-9H300	RH SIDE COVER (SILVER BLACK)	右侧盖	1		
12	0700-065201-3B200	COVER, GEARSHIFT SHAFT (MATTE BLACK)	换挡轴盖	1		
12	0700-065201-3BY00	COVER, GEARSHIFT SHAFT	换挡轴盖	1		
13	0700-013008	PLUG, OIL FILLING	加油塞	1		
14	0700-063008	BALL CONTACTOR	球形触头	1		
15	0700-013100-00001	VIEWER, OIL LEVEL	油面观察窗组合	1		
16	0700-013005-30000	LABEL, OIL CAPACITY (SHORT, ENGLISH)	加油说明标签	1		
17	30128-060016830	SCREW M6x16	螺钉	1		
18	0010-080008	DOWEL PIN Dia 8x14	定位销Φ8X14	4		
19	30403-01200	NEEDLE BEARING HK1210	滚针轴承HK1210	2		
20	30403-01300	NEEDLE BEARING HK1312	滚针轴承HK1312	1		
21	0010-080009	OIL SEAL 12x20x5	油封	1		
22	0700-065220	OIL SEAL 13x22x5.5	油封	1		
23	01A0-013005	O-SEAL RING 13x2	O形密封圈	1		
24	0010-060010	WASHER 10	垫圈10	1		
25	0700-013003-10000	HOLE CAP, TIMING INSPECTION	正时观察孔盖	1		
26	0180-013208-0010	BOLT M6x45	螺栓	2		
27	0010-013009-0010	BOLT M6x40	螺栓	1		
28	0010-060012-0010	BOLT M6x30	螺栓	3		
29	0010-013008-0010	BOLT M6x35	螺栓	2		
30	0700-065230-10001	GEAR POSITION SENSOR	档位接触器	1		
31	0010-023010-0010	BOLT M6x20	螺栓	2		
32	0010-021017-0010	BOLT M6x25	螺栓	23		
33	0020-011018-00001	BOLT	螺栓	1		
34	0700-014003	CABLE CLIP	线夹	1		
35	0700-066005	PLUG 6	堵头6	1		
36	0700-063007	SPRING, CONTACTOR	触头弹簧	1		
37	0HU0-013009	RETAINER	钢丝挡圈	1		
38	0180-023002	O-SEAL RING 24x2.5	O形密封圈24x2.5	1		

右&左侧盖分总成/ RIGHT&LEFT SIDE COVER



CFMOTO

kf-czh

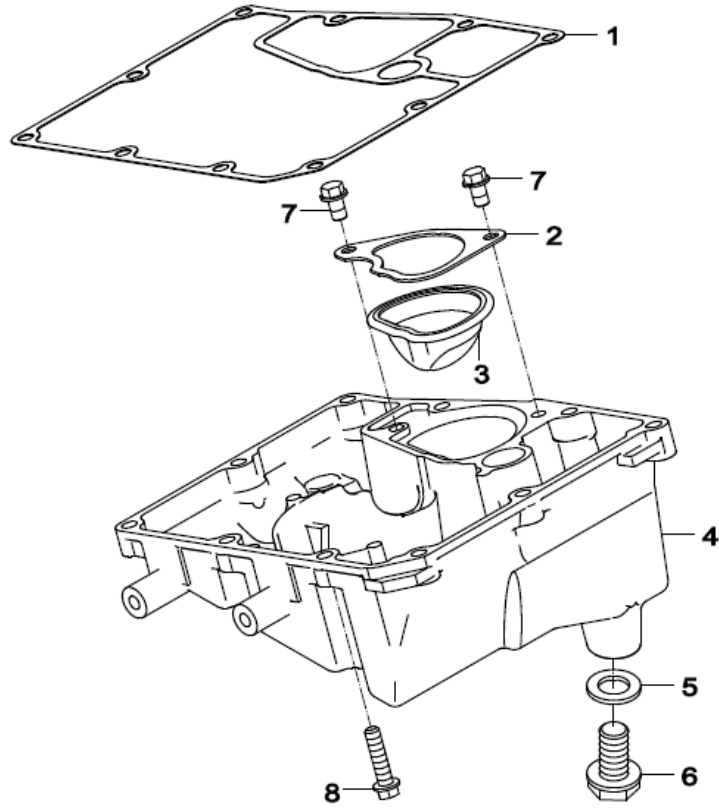
14:08:38

21-08-10

E01-3 油底壳分总成 OIL PAN

Item No.	Parts Number	Parts Name(EN)	Parts Name(CN)	Qty	Remark(s)	Alternative Parts
01	0700-015004-10000	GASKET, OIL PAN	油底壳垫片	1		
02	0700-015003	HOLDER, OIL STRAINER	机油粗滤网压板	1		
03	0700-015002	OIL STRAINER	机油粗滤网	1		
04	0700-015001-00001	OIL PAN	油底壳	1		
05	0010-021014	WASHER 12	垫圈12	1		
06	0700-015006	DRAIN BOLT, M12x22	放油螺栓	1		
07	0010-080010-0010	BOLT M6x10	螺栓	2		0010-080010-00001
08	0010-021017-0010	BOLT M6x25	螺栓	10		

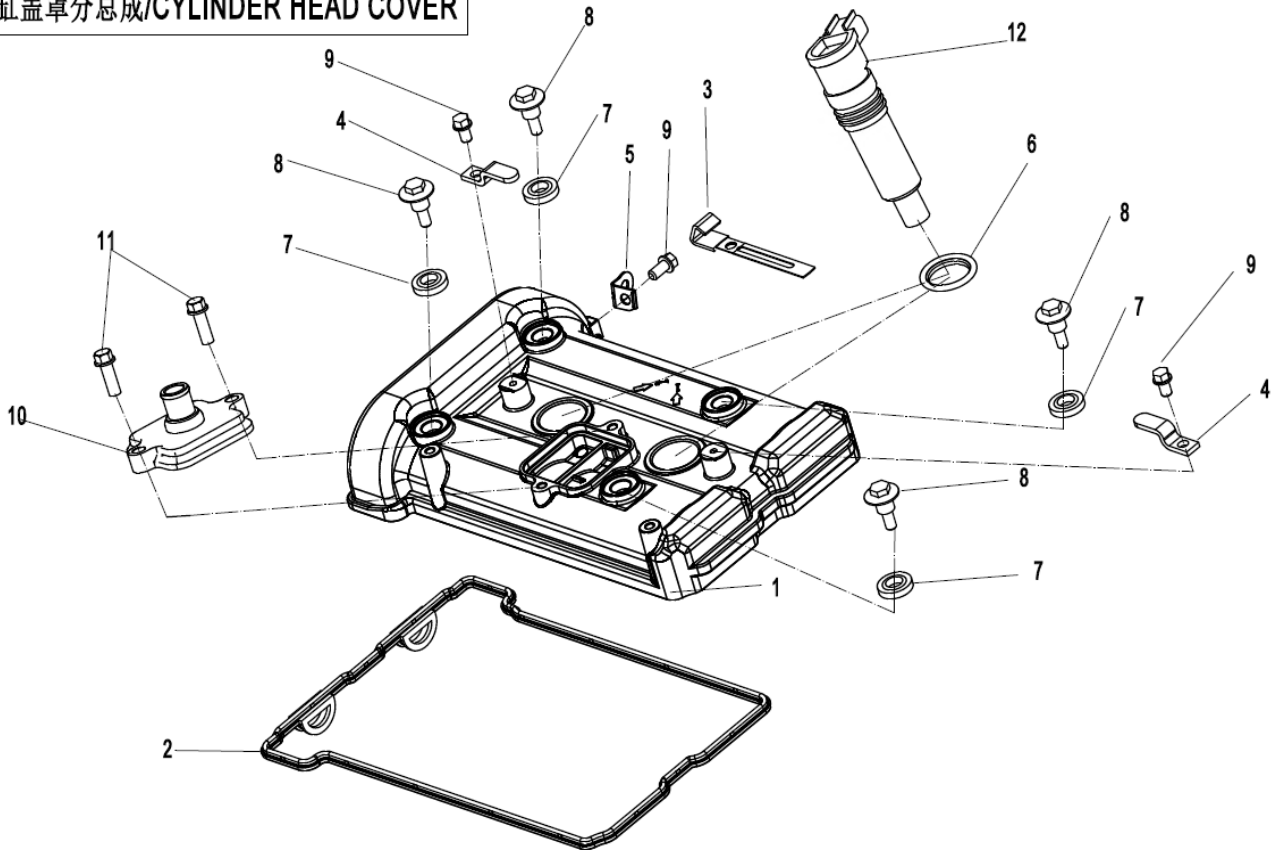
E01-3 油底壳分总成/OIL PAN



E02-1 气缸盖罩分总成 CYLINDER HEAD COVER

Item No.	Parts Number	Parts Name(EN)	Parts Name(CN)	Qty	Remark(s)	Alternative Parts
01	0HTC-021001-1B200	CYLINDER HEAD COVER (MATTE BLACK)	气缸盖罩	1		
01	0HTC-021001-1BY00	CYLINDER HEAD COVER (SILVER GREY)	气缸盖罩	1		
02	0700-021400-00010	SEAL RING, CYLINDER HEAD COVER (SHU YAUN MACHINE)	气缸盖罩密封圈	1		
03	0180-014010	WIRE CLAMP	线夹组合	1		
04	0700-021005	PRESS PLATE	压板	2		
05	0700-021002	BRACKET, CLUTCH CABLE	离合器拉索支架	1		
06	0HU0-021300	SEAL RING, SPARK PLUG	火花塞孔密封圈组件	2		
07	0700-021200	SEAL RING, CYLINDER HEAD COVER BOLT	气缸盖罩螺栓密封圈	4		
08	0700-021003-00001	BOLT, CYLINDER HEAD COVER	气缸盖罩螺栓	4		
09	0010-021019-0010	BOLT M6x12	螺栓	3		
10	0HU0-021004-1BP00	CAP, ONE-WAY VALVE	单向阀盖	1		
10	0HU0-021004-1BY00	CAP, ONE-WAY VALVE	单向阀盖	1		
11	0010-023010-0010	BOLT M6x20	螺栓	2		
12	0700-178000-10000	IGNITION COIL	点火线圈	2		

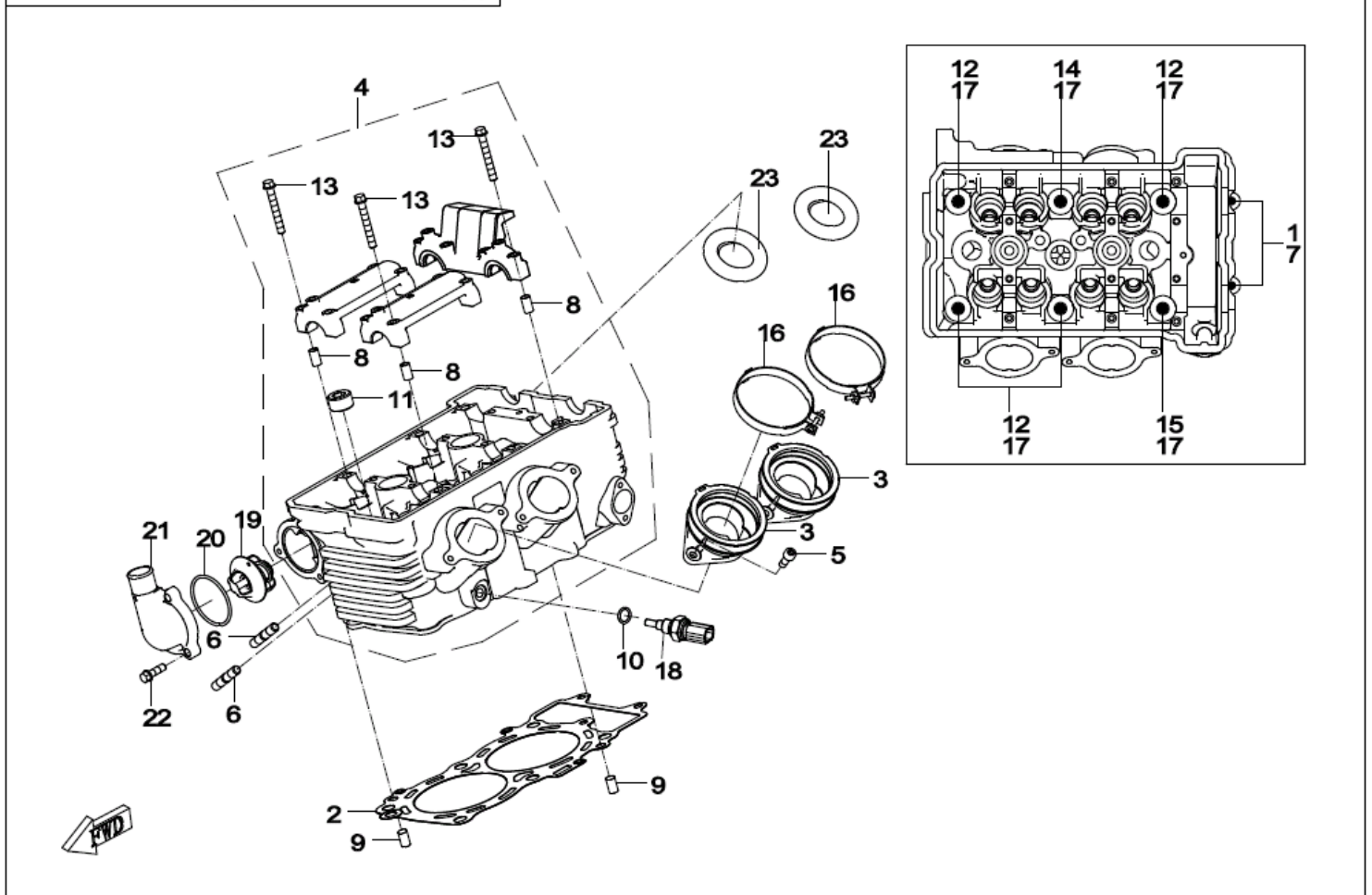
E02-1 气缸盖罩分总成/CYLINDER HEAD COVER



E02-2 气缸盖分总成 (1) CYLINDER HEAD (1)

Item No.	Parts Number	Parts Name(EN)	Parts Name(CN)	Qty	Remark(s)	Alternative Parts
01	0HU0-022002	INNER HEX SCREW M6x30	内六角圆柱头螺钉M6x30	2		
02	0700-022100-0001	GASKET KIT, CYLINDER HEAD	气缸盖垫片组件	1		
03	0700-022320-1000	AIR INLET PIPE	进气管组件	2		
04	0HTC-022200-0B200	CYLINDER HEAD	气缸盖部件	1		
04	0HTC-022200-0BY00	CYLINDER HEAD	气缸盖部件	1		
05	30102-060016810	SCREW	螺钉	4		
06	0180-022003-00001	STUD M8x42	双头螺柱	4		
07	0060-030004-0030	WASHER 6x10.4x1.6	垫圈	2		
08	0010-080008	DOWEL PIN Dia 8x14	定位销Φ8X14	6		
09	0700-022018	SOLID PIN 8x14	实心销	2		
10	0700-022019	WASHER 12.5x20x1	垫圈	1		
11	0700-022236	PLUG, PT1/2	锥堵1/2	3		
12	0700-022013-00001	BOLT M10x158, CYLINDER HEAD	气缸盖螺栓	4		
13	0700-022204	HEX FLANGE BOLT M6x45	六角法兰面螺栓	12		
14	0700-022014-10001	BOLT M10x176, CYLINDER HEAD	气缸盖螺栓	1		
15	0700-022015-00002	BOLT, CYLINDER HEAD	气缸盖螺栓	1		
16	0700-022330	CLAMP, AIR INLET PIPE	进气管卡箍组件	2		
17	0700-022016	WASHER 10.5x19x2.3	垫圈	6		
18	018B-022810	WATER TEMPERATURE SENSOR	水温传感器	1		
19	0700-022500-0001	THERMOSTAT	调温器	1		
20	0700-022011	O-SEAL RING 44.5x2.5	O形密封圈	1		
21	0700-022009-1B200	THERMOSTAT CAP	节温器盖	1		
21	0700-022009-1BY00	THERMOSTAT CAP	节温器盖	1		
22	0010-023010-0010	BOLT M6x20	螺栓	3		
23	0700-022012	GASKET, EXHAUST PIPE	排气管衬垫	2		

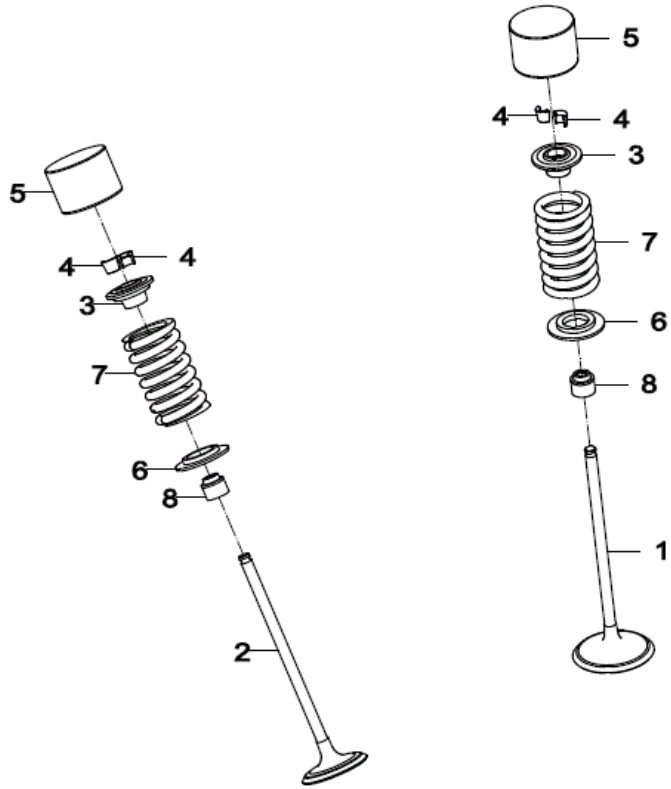
E02-2 气缸盖分总成(1)/CYLINDER HEAD(1)



E02-3 气缸盖分总成 (2) CYLINDER HEAD (2)

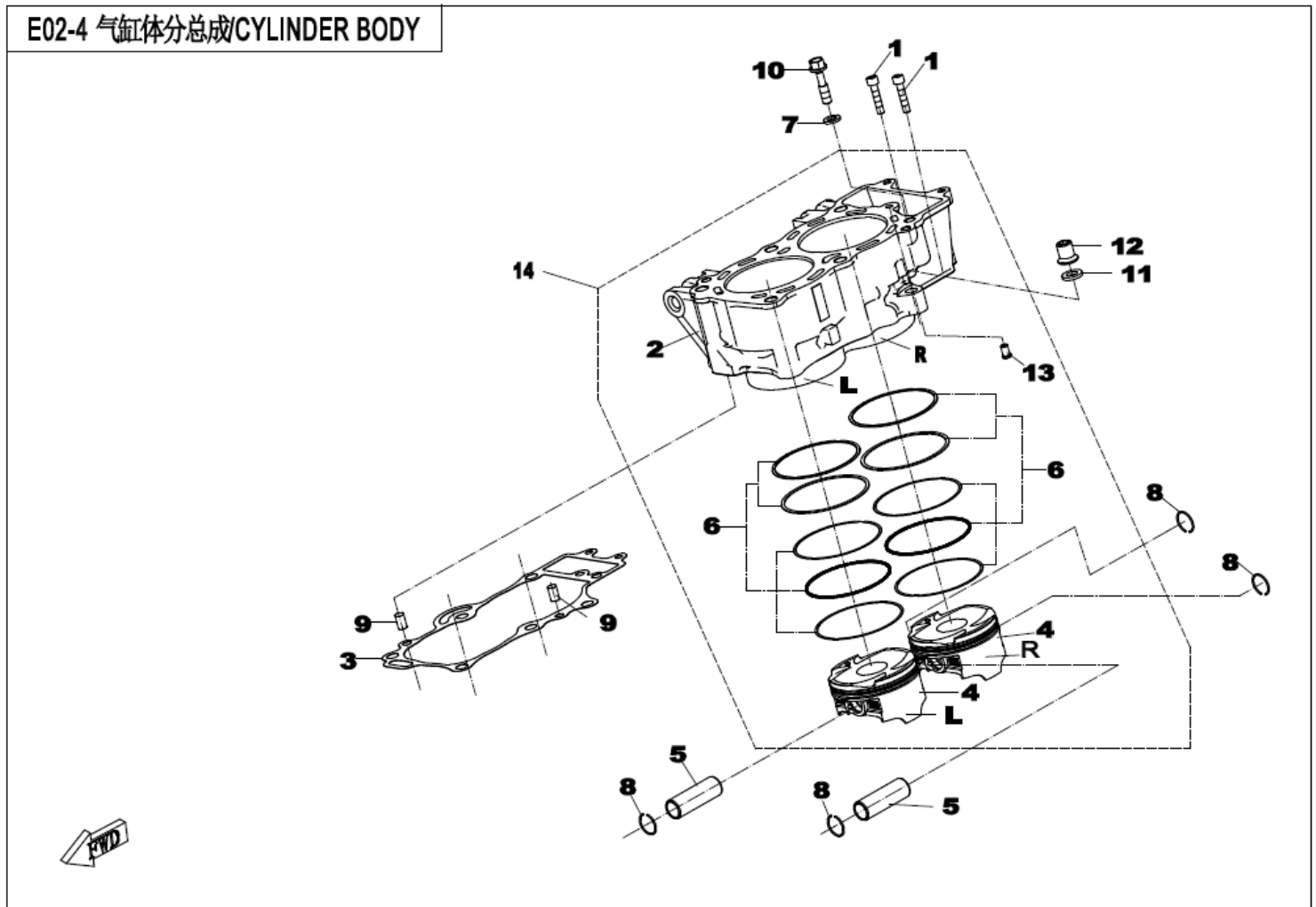
Item No.	Parts Number	Parts Name(EN)	Parts Name(CN)	Qty	Remark(s)	Alternative Parts
01	0700-022001-20000	INTAKE VALVE	进气门	4		
02	0700-022002-20001	AIR EXHAUST VALVE	排气门	4		
03	0700-022003	UPPER SEAT, VALVE SPRING	气门弹簧上座	8		
04	0700-022004	LOCK CLIP, VALVE	气门锁夹	16		
05	0700-022005-0540	TAPPET t=4.26	挺柱	8		0700-022005-15500
05	0700-022005-0530	TAPPET t=4.24	挺柱	8		0700-022005-15400
05	0700-022005-0520	TAPPET t=4.28	挺柱	8		0700-022005-15300
05	0700-022005-0510	TAPPET t=4.22	挺柱	8		0700-022005-15200
05	0700-022005-0500	TAPPET t=4.20	挺柱	8		0700-022005-15100
05	0700-022005-0490	TAPPET t=4.18	挺柱	8		0700-022005-15000
05	0700-022005-0480	TAPPET t=4.16	挺柱	8		0700-022005-14900
05	0700-022005-0470	TAPPET t=4.14	挺柱	8		0700-022005-14800
05	0700-022005-0460	TAPPET t=4.12	挺柱	8		0700-022005-14700
05	0700-022005-0450	TAPPET t=4.10	挺柱	8		0700-022005-14600
05	0700-022005-0440	TAPPET t=4.08	挺柱	8		0700-022005-14500
05	0700-022005-0430	TAPPET t=4.06	挺柱	8		0700-022005-14400
05	0700-022005-0420	TAPPET t=4.04	挺柱	8		0700-022005-14300
05	0700-022005-0410	TAPPET t=4.02	挺柱	8		0700-022005-14200
05	0700-022005-0400	TAPPET t=4.00	挺柱	8		0700-022005-14100
05	0700-022005-0390	TAPPET t=3.98	挺柱	8		0700-022005-14000
05	0700-022005-0380	TAPPET t=3.96	挺柱	8		0700-022005-13900
05	0700-022005-0370	TAPPET t=3.94	挺柱	8		0700-022005-13800
05	0700-022005-0360	TAPPET t=3.92	挺柱	8		0700-022005-13700
05	0700-022005-0350	TAPPET t=3.90	挺柱	8		0700-022005-13600
05	0700-022005-0340	TAPPET t=3.88	挺柱	8		0700-022005-13500
05	0700-022005-0330	TAPPET t=3.86	挺柱	8		0700-022005-13400
05	0700-022005-0320	TAPPET t=3.84	挺柱	8		0700-022005-13300
05	0700-022005-0310	TAPPET t=3.82	挺柱	8		0700-022005-13200
05	0700-022005-0300	TAPPET t=3.80	挺柱	8		0700-022005-13100
05	0700-022005-0290	TAPPET t=3.78	挺柱	8		0700-022005-13000
05	0700-022005-0280	TAPPET t=3.76	挺柱	8		0700-022005-12900
05	0700-022005-0270	TAPPET t=3.74	挺柱	8		0700-022005-12800
05	0700-022005-0260	TAPPET t=3.72	挺柱	8		0700-022005-12700
05	0700-022005-0250	TAPPET t=3.70	挺柱	8		0700-022005-12600
05	0700-022005-0240	TAPPET t=3.68	挺柱	8		0700-022005-12500
05	0700-022005-0230	TAPPET t=3.66	挺柱	8		0700-022005-12400
05	0700-022005-0220	TAPPET t=3.64	挺柱	8		0700-022005-12300
05	0700-022005-0210	TAPPET t=3.62	挺柱	8		0700-022005-12200
05	0700-022005-0200	TAPPET t=3.60	挺柱	8		0700-022005-12100
05	0700-022005-0190	TAPPET t=3.58	挺柱	8		0700-022005-12000
05	0700-022005-0180	TAPPET t=3.56	挺柱	8		0700-022005-11900
05	0700-022005-0170	TAPPET t=3.54	挺柱	8		0700-022005-11800
05	0700-022005-0160	TAPPET t=3.52	挺柱	8		0700-022005-11700
05	0700-022005-0150	TAPPET t=3.50	挺柱	8		0700-022005-11600
05	0700-022005-0140	TAPPET t=3.48	挺柱	8		0700-022005-11500
05	0700-022005-0130	TAPPET t=3.46	挺柱	8		0700-022005-11400
05	0700-022005-0120	TAPPET t=3.44	挺柱	8		0700-022005-11300
06	0700-022006	LOWER SEAT, VALVE SPRING	气门弹簧下座	8		
07	0700-022007	SPRING, VALVE	气门弹簧	8		
08	0700-022400-1000	SEAL RING, VALVE STEM	气门杆密封圈组件	8		

E02-3 气缸盖分总成(2)/CYLINDER HEAD(2)



E02-4 气缸体分总成 CYLINDER BODY

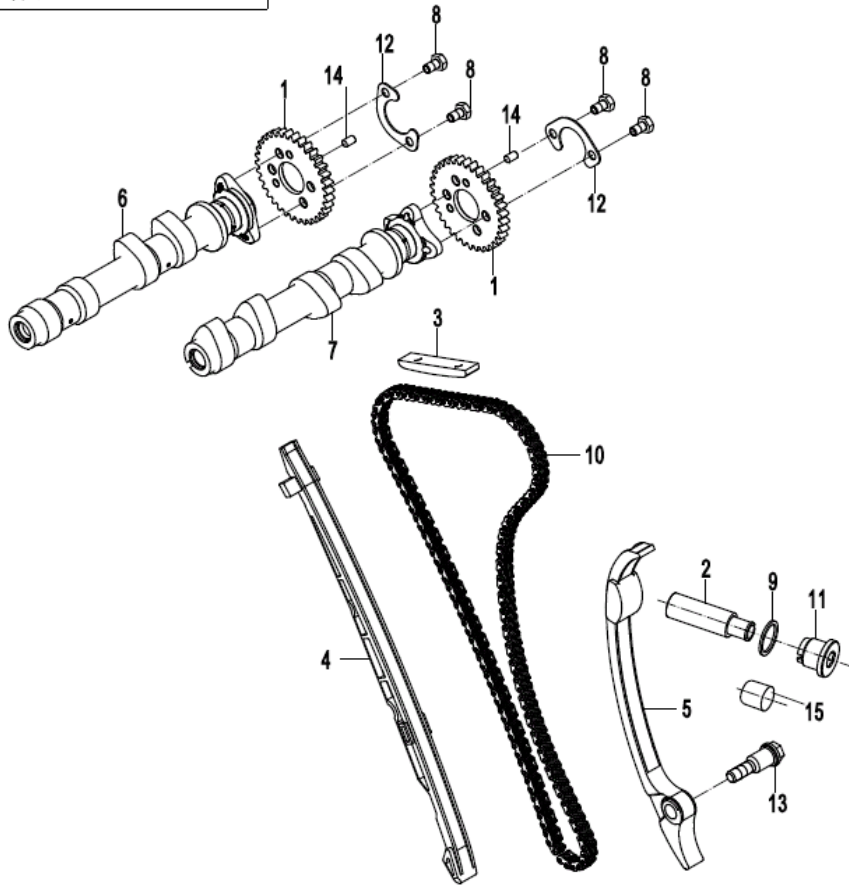
Item No.	Parts Number	Parts Name(EN)	Parts Name(CN)	Qty	Remark(s)	Alternative Parts
01	0060-030003-00001	INNER HEX BOLT	内六角圆柱头螺栓	2		
02	0700-023001-4B200	CYLINDER BODY (MATTE BLACK)	气缸体	1		
02	0700-023001-4BY00	CYLINDER BODY ASSY	气缸体	1		
03	0700-023002-0001	GASKET, CYLINDER	气缸体垫片	1		
04	0700-040007-10011	PISTON	活塞	1	I	
04	0700-040007-10021	PISTON	活塞	1	I I	
04	0700-040007-10031	PISTON	活塞	1	I I I	
05	0700-040008	PISTON PIN	活塞销	2		
06	0700-0400A0	PISTON RING ASSY	活塞环组合	2		
07	0700-023004	WASHER 8.5x15.5x2	垫圈	1		
08	0700-040009	CIRCLIP, PISTON PIN	活塞销挡圈	4		
09	0700-022018	SOLID PIN 8x14	实心销	2		
10	0700-023003-00001	BOLT M8x43	螺栓	1		0700-023003-00002
10	0700-023003-00002	BOLT	螺栓	1		0700-023003-00001
11	0700-022016	WASHER 10.5x19x2.3	垫圈	1		
12	0700-011111-00001	NUT M10x1.25	螺母	1		0700-011111-00002
12	0700-011111-00002	NUT	螺母	1		0700-011111-00001
13	0700-023005	RESTRICTION PLUG	节流塞	1		
14	0700-0230A0	PISTON, CYLINDER BODY	气缸体活塞组合	1		



E02-5 配气传动分总成 CAMSHAFT

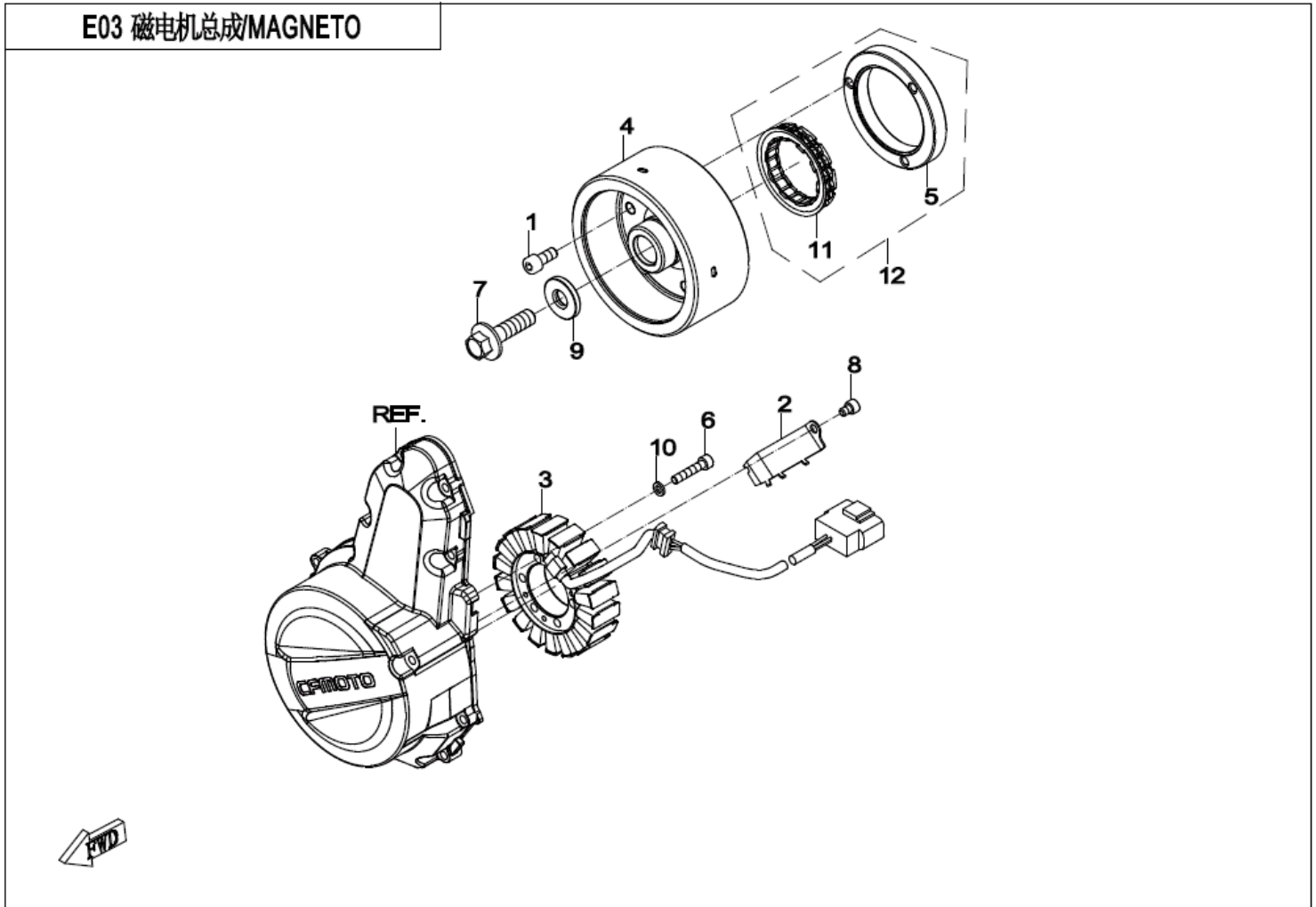
Item No.	Parts Number	Parts Name(EN)	Parts Name(CN)	Qty	Remark(s)	Alternative Parts
01	0700-024002-0001	TIMING SPROCKET 1-3 GEAR	正时链轮	2		
02	0MQ0-024400	TENSIONER ASSY	张紧器组件	1		
03	0700-022017	CHAIN GUIDE BLOCK	导链块	1		
04	0MQ0-024006	CHAIN GUIDE	链条导板	1		
05	0MQ0-024300	TENSION PLATE ASSY	张紧板组件	1		
06	0700-024500	CAMSHAFT, EXHAUST	排气凸轮轴组件	1		
07	0700-024400	CAMSHAFT, AIR INLET	进气凸轮轴组件	1		
08	30004-060010150	BOLT M6x10	螺栓	4		
09	0700-024001	O-SEAL RING 19x2	O形密封圈	1		
10	0700-024200-00030	TIMING CHAIN	正时链条组件	1		
11	0MQ0-024001	SCREW PLUG M16x14	螺塞	1		
11	0MQ0-024001-00001	SCREW PLUG	螺塞	1		
12	0700-024003	RETAINER	止动挡片	2		
13	0700-024008-00001	PIN SHAFT	螺纹销轴	1		
14	30406-00501	ROLLER NEEDLE P5x7.8	滚针P5X7.8	2		
15	0A70-012007	PLUG	堵头	1		

配气传动分总成/CAMSHAFT



E03 磁电机总成 MAGNETO

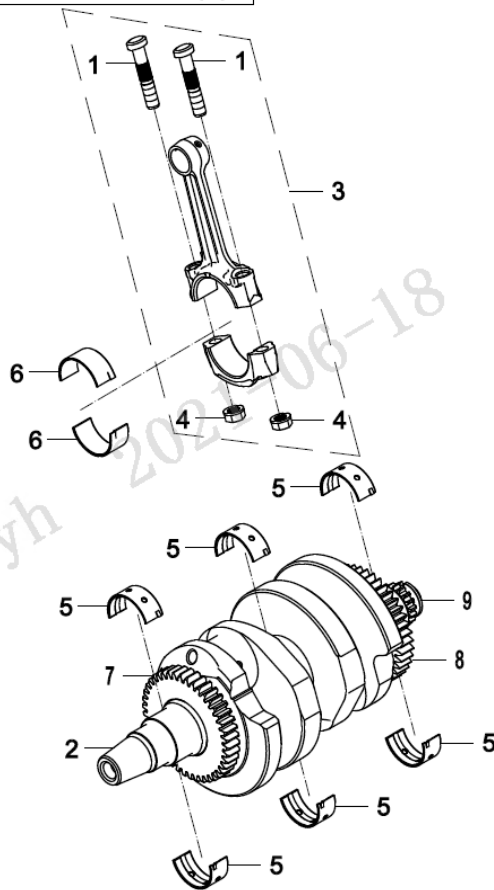
Item No.	Parts Number	Parts Name(EN)	Parts Name(CN)	Qty	Remark(s)	Alternative Parts
01	0110-090009-00002	INNER HEX SCREW	内六角圆柱头螺钉	3		
02	0700-030001-00001	PLATE	压线板	1		
03	070V-032000-1300	TRIGGER	磁电机定子组合	1		
04	0700-031000	MAGNETO ROTOR	磁电机转子组合	1		
05	0700-091001	COUPLING	单向器座	1		
06	0060-030003-00001	INNER HEX BOLT	内六角圆柱头螺栓	3		
07	0700-040001-20000	BOLT M12x1.25x45	螺栓M12x1.25x45	1		
08	0010-090006-00001	SCREW	螺钉	1		
09	0700-040002-00001	WASHER 12.5x33x5	垫圈	1		
10	0060-030004-0030	WASHER 6x10.4x1.6	垫圈	3		
11	0700-091200	CLUTCH, ONE-WAY	单向器组件	1		
12	0700-091000	OVERRIDING CLUTCH	超越离合器组件	1		



E04-1 曲轴连杆总成 (1) CRANKSHAFT &CONNECTING ROD (1)

Item No.	Parts Number	Parts Name(EN)	Parts Name(CN)	Qty	Remark(s)	Alternative Parts
01	0700-041203-10000	BOLT, CONNECTING RID	连杆螺栓	4		
02	0700-041110-20002	CRANKSHAFT ASSY	曲轴部件	1		
03	0700-041200-40011	CONNECTING ROD ASSY Mark 1_Dia41.010~41.015	连杆组件	2	I	
03	0700-041200-40021	CONNECTING ROD ASSY Mark 2_Dia41.005~41.010	连杆组件	2	I I	
03	0700-041200-40031	CONNECTING ROD ASSY Mark 3_Dia41.010~41.015	连杆组件	2	I I I	
04	0700-041204	NUT, CONNECTING ROD	连杆螺母	4		
05	0700-011003-00011	MAIN PLAIN BEARING	主轴瓦	6	I	
05	0700-011003-00021	MAIN PLAIN BEARING	主轴瓦	6	I I	
06	0700-041001-30020	PLAIN BEARING, CONNECTING ROD (BLUE_1.488~1.491)	连杆轴瓦	4		
06	0700-041001-30010	PLAIN BEARING, CONNECTING ROD (BLACK_1.485~1.488)	连杆轴瓦	4		
06	0700-041001-30030	PLAIN BEARING, CONNECTING ROD (GREEN_1.491~1.494)	连杆轴瓦	4		
06	0700-041001-30040	PLAIN BEARING, CONNECTING ROD (YELLOW_1.494~1.497)	连杆轴瓦	4		
06	0700-041001-30050	PLAIN BEARING, CONNECTING ROD (RED_1.497~1.500)	连杆轴瓦	4		
07	0700-041101-10010	DRIVE GEAR, BALANCER	平衡轴主动齿轮	1		
08	0700-041102-10010	OUTPUT GEAR	输出齿轮	1		
09	0700-041103-1000	TIMING DRIVE SPROCKET	正时主动链轮	1		

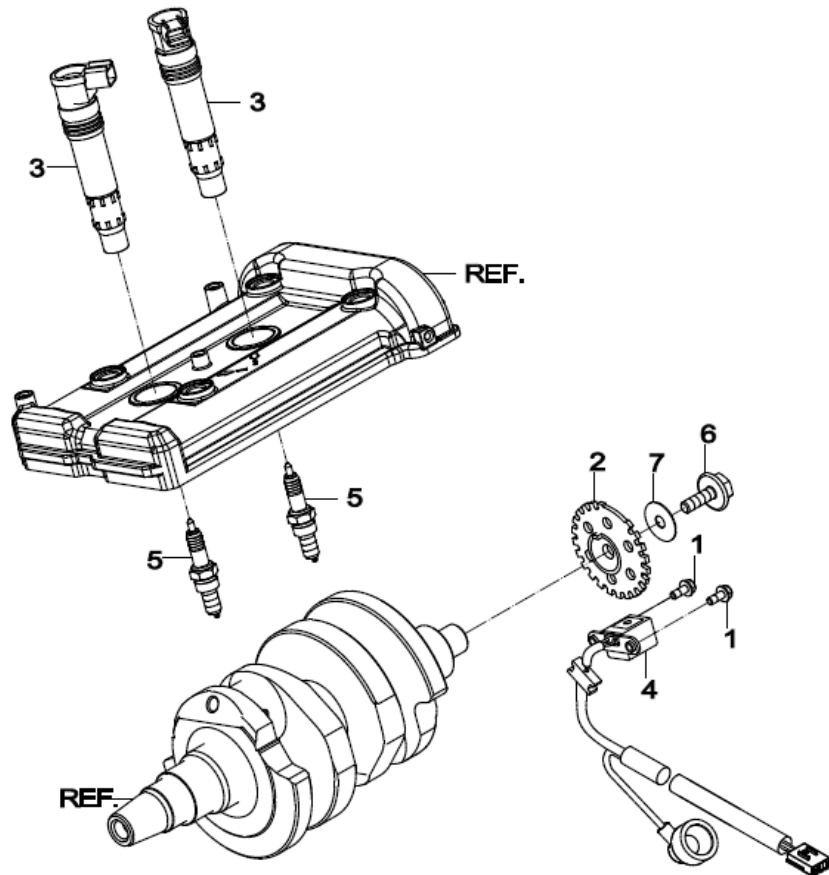
曲轴连杆总成(1)/CRANKSHAFT &CONNECTING ROD(1)



E04-2 曲轴连杆总成 (2) CRANKSHAFT &CONNECTING ROD (2)

Item No.	Parts Number	Parts Name(EN)	Parts Name(CN)	Qty	Remark(s)	Alternative Parts
01	0700-012013-00002	BOLT	螺栓	2		
02	0700-040005-10000	PULSING ROTOR, CRANKCASE	曲轴转速触发盘	1		
03	0700-178000-10000	IGNITION COIL	点火线圈	1	DACY	
04	070V-012400-1301	TRIGGER	触发器	1		
05	0700-170200	SPARK PLUG	火花塞组件	2		
06	0700-040003-00001	BOLT M8x23	螺栓M8x23	1		
07	0700-040004	WASHER 8.5x28x0.8	垫圈	1		

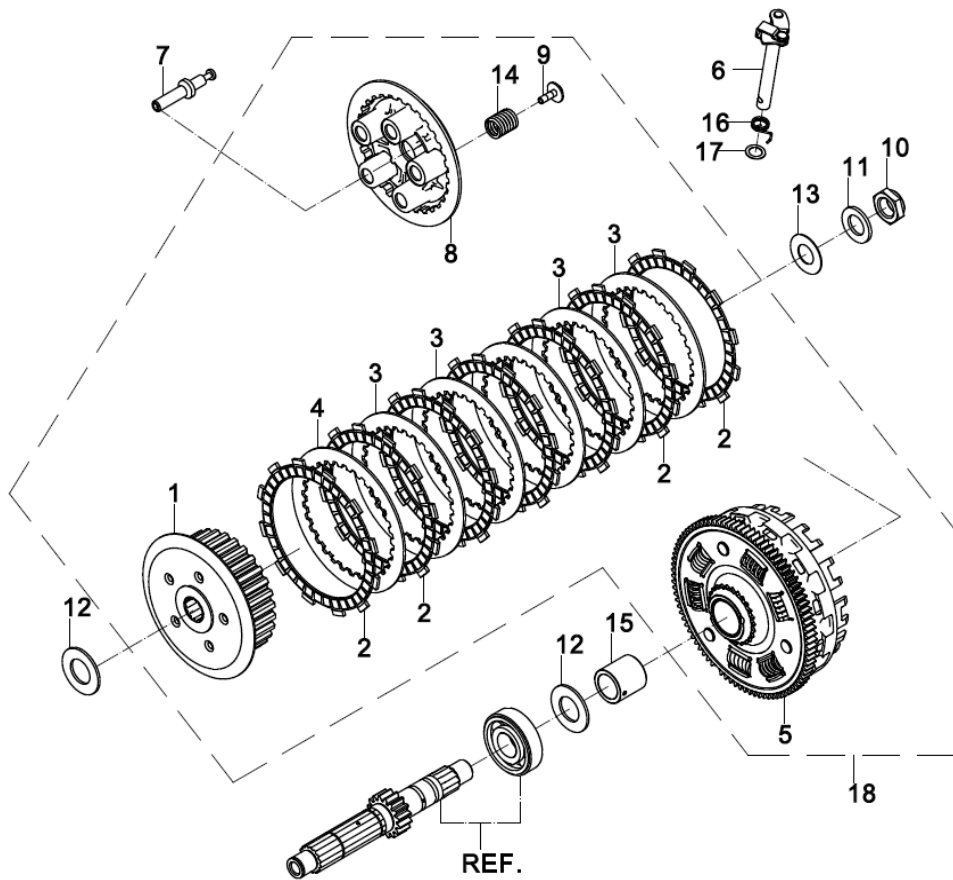
E04-2 曲轴连杆总成(2)/CRANKSHAFT &CONNECTING ROD(2)



E05 离合器总成 CLUTCH

Item No.	Parts Number	Parts Name(EN)	Parts Name(CN)	Qty	Remark(s)	Alternative Parts
01	0700-050100	CENTRAL SLEEVE	中心套组件	1		
02	0700-050200	FRICTION PLATE	摩擦片组件	7		
03	0700-050001	STEEL PLATE B t=2.5	钢片B	5		
04	0700-050005	STEEL PLATE A t=2.0	钢片A	1		
05	0700-051000	HOUSING ASSY	外罩组合	1		
06	0700-013200-20000	CONTROL SHAFT, CLUTCH	离合控制轴组件	1		
07	0700-050004	TIE-ROD	拉杆	1		
08	0700-0500B0	OPERATING PAD, CLUTCH	压盘合件	1		
09	0700-050300	BOLT M6x20	螺栓组合件	5		
10	0700-061002-00002	NUT	螺母	1		
11	0700-061003	CIRCLIP 20	弹性垫圈20	1		
12	0700-061005	WASHER 25.5x47x2.5	垫圈	2		
13	0A70-011007	WASHER 20x40x1	垫圈	1		
14	0700-050002	PRESS SPRING	压簧	5		
15	0700-061004-00010	AXLE SLEEVE, CLUTCH	离合器轴套	1		
16	0700-013006-10000	RETURN SPRING, CLUTCH LEVER	离合操纵杆回位扭簧	1		
17	0700-013007-10000	WASHER 12.5x18.5x0.6	垫圈	1		0700-013007
18	0700-052000-00010	CLUTCH SUB ASSY (MARK A_MATCHED WITH PRIMARY DRIVEN GEAR A)	离合器分总成	1		
18	0700-052000-00020	CLUTCH SUB ASSY (MARK B_MATCHED WITH PRIMARY DRIVEN GEAR B)	离合器分总成	1		

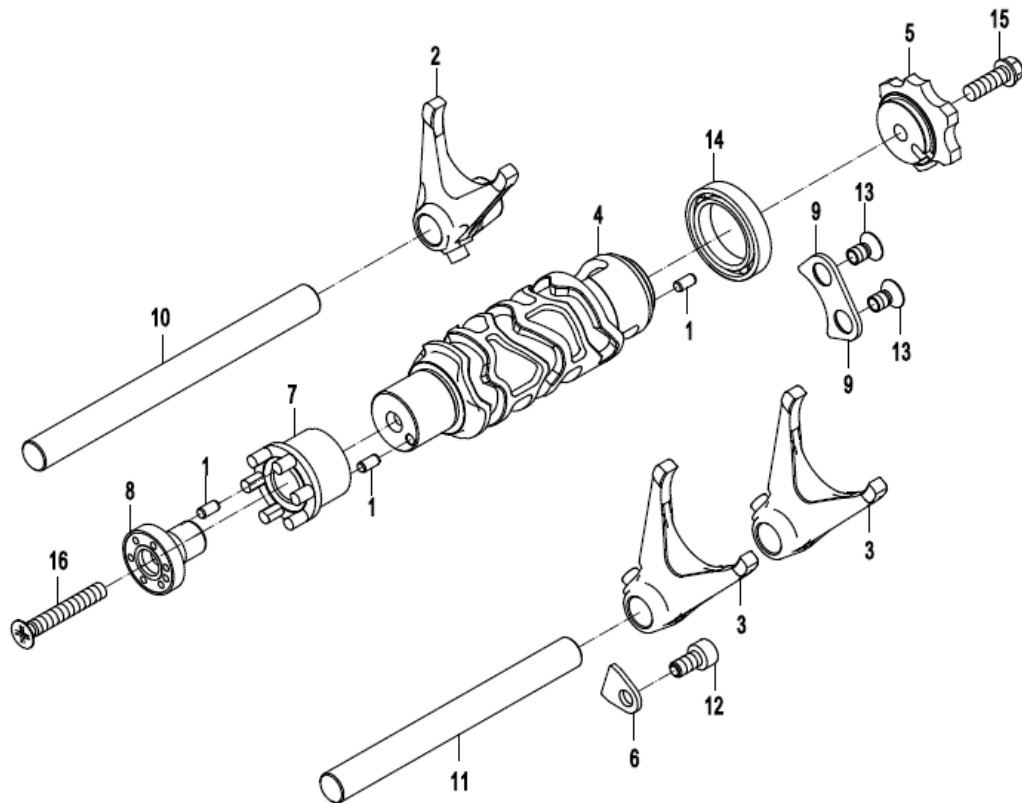
E05 离合器总成/CLUTCH ASSY



E06-1 换档变速总成 (1) TRANSMISSION SYSTEM (1)

Item No.	Parts Number	Parts Name(EN)	Parts Name(CN)	Qty	Remark(s)	Alternative Parts
01	30406-00401	ROLLER NEEDLE P4x7.8	滚针P4x7.8	3		
02	0700-060004-1000	FORK, MAIN SHAFT	主轴拨叉	1		
03	0700-060002-1000	SHIFT FORK, COUNTERSHAFT	副轴拨叉	2		
04	0700-063001-20000	SHIFT DRUM	变档鼓	1		
05	0700-063002	CAM, GEARSHIFT DRUM	定位星轮	1		
06	0700-066008	PLATE 2	挡板2	1		
07	0HTB-063003-10000	SHIFT LOCATION DRUM	拨轮	1		
08	0700-063004-10001	GEAR DRIVE SHAFT	档位驱动轴	1		
09	0700-066009	PLATE 3	挡板3	1		
10	0700-060003	FORK SHAFT, MAIN SHAFT	主轴拨叉轴	1		
11	0700-060001	SHIFT FORK, COUNTERSHAFT	副轴拨叉轴	1		
12	0010-090006-00001	SCREW	螺钉	1		
13	0700-066010-00001	SCREW, BEARING PLATE	轴承压板螺钉	2		
14	30400-02504	BEARING	深沟球轴承	1		
15	0010-023008-0010	BOLT M6x18	螺栓	1		0010-023008-00001
16	0HTB-063005	CONTACTOR BOLT	触头螺栓	1		

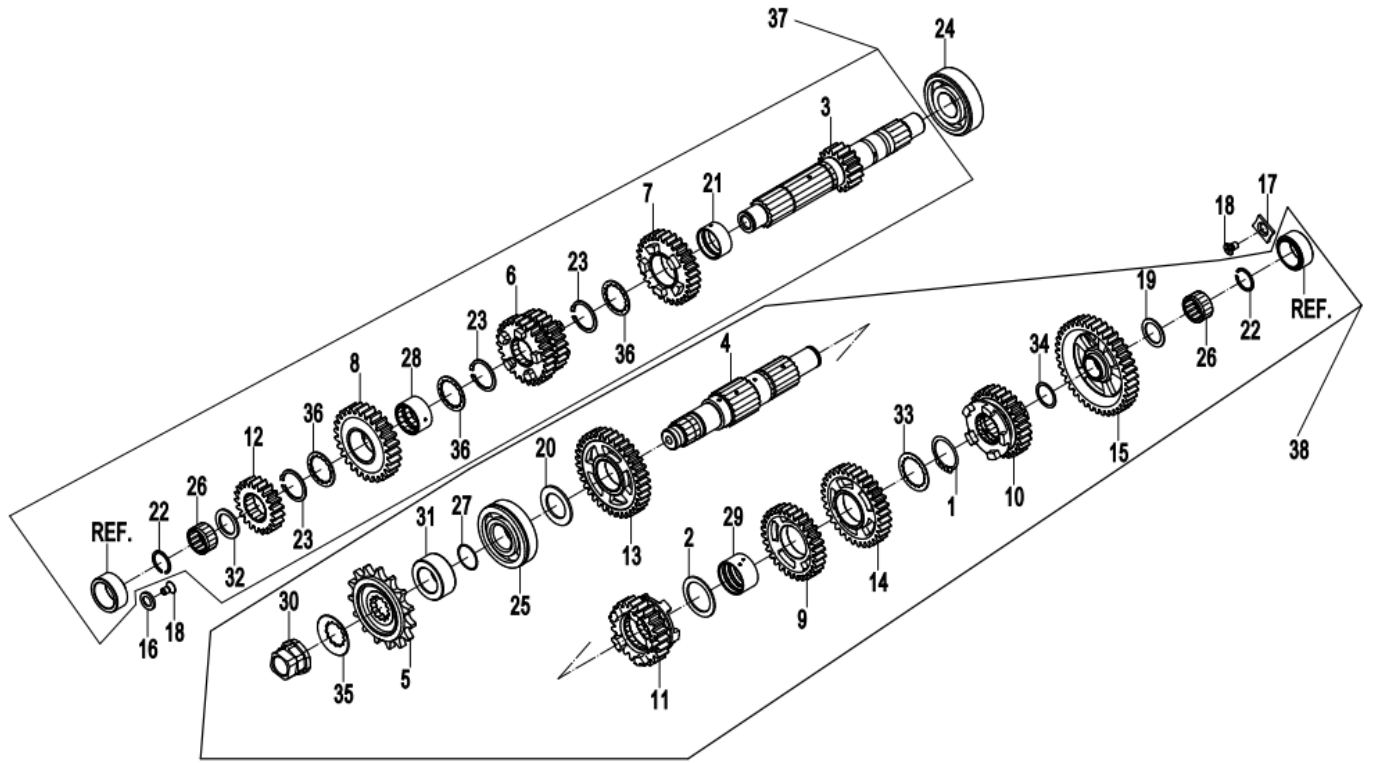
E06-1 换档变速总成(1)/TRANSMISSION SYSTEM(1)



E06-2 换档变速总成 (2) TRANSMISSION SYSTEM (2)

Item No.	Parts Number	Parts Name(EN)	Parts Name(CN)	Qty	Remark(s)	Alternative Parts
01	30801-03005	CIRCLIP30 S=1.5	挡圈30S=1.5	1		
02	0700-062009	WASHER 30x38.5x1.5	垫圈	1		
03	0700-061001-1000	MAIN SHAFT 1-3 GEAR	主轴	1		
04	0700-062001-1000	COUNTERSHAFT 1-3 GEAR	副轴	1		
05	0700-062030	SPROCKET, OUTPUT	输出链轮组件	1		
06	0700-061011-1000	DRIVE GEAR, 3RD AND 4TH SPEED 1-3 GEAR	主动齿轮_3-4档	1		
07	0700-061007-1000	DRIVE GEAR, 5TH SPEED 29	主动齿轮(5档)	1		
08	0700-061013-1000	DRIVE GEAR, 6TH SPEED 27	主动齿轮6_档	1		
09	0700-062008-1000	DRIVEN GEAR, 4TH SPEED 30	从动齿轮_4档	1		
10	0700-062004-1000	DRIVEN GEAR, 5TH SPEED 28	从动齿轮_5档	1		
11	0700-062011-1000	DRIVEN GEAR, 6TH SPEED 23	从动齿轮6_档	1		
12	0700-061014-1000	DRIVE GEAR, 2ND SPEED 1-3 GEAR	主动齿轮2_档	1		
13	0700-062200-1000	DRIVEN GEAR, 2ND SPEED 1-3 GEAR	从动齿轮_2档分部件	1		
14	0700-062006-1000	DRIVEN GEAR, 3RD SPEED 32	从动齿轮_3档	1		
15	0700-062100-1000	DRIVEN GEAR, 1ST SPEED 1-3 GEAR	从动齿轮_1档分部件	1		
16	0700-011108	PRESS TOOL, SHAFT SLEEVE	轴套压板	1		
17	0700-066003	PLATE 1	挡板1	1		
18	0180-014009-00001	SCREW, PRESS PLATE	油封压板螺钉	1		
19	0700-062002	WASHER 20.4x28x1.2	垫圈2	1		
20	0700-062012	WASHER 25x39x2	垫圈	1		
21	0700-061006	BUSHING 28x14	轴承套	1		
22	0700-061016	CIRCLIPS FOR SHAFT20	轴用挡圈20	2		
23	0700-061009	CIRCLIPS FOR SHAFT28	轴用挡圈28	3		
24	0700-066002	BEARING 25x62x17	轴承	1		
25	0700-010100	BEARING 25x62x17, COUNTERSHAFT	副轴轴承	1		
26	30499-02004	NEEDLE BEARING KMJ20x26x13.8x1S	滚针轴承	2		
27	0800-062205	O-SEAL RING 25x2	O形密封圈	1		
28	0700-061012	BUSHING 28x14.7	轴承套28x14.7	1		
29	0700-062007	BUSHING 29.65	轴承套	1		
30	0700-062016-00001	NUT, COUNTER PULSE	记数脉冲螺母	1		
31	0700-062013-1000	COLLAR, COUNTERSHAFT (CHANG ZHOU SU TE)	副轴轴套	1		
32	0180-061012	GASKET 20.5x30x1.5	垫片	1		
33	0700-062005	WASHER	花键垫圈	1		
34	0700-062003	WASHER 20.4x25x0.5	垫圈	1		
35	0700-062015	WASHER	防松垫圈	1		
36	0700-061008	WASHER	花键垫圈	3		
37	0700-061000-10000	MAIN SHAFT ASSY	主轴部件	1		0700-061000-10001
38	0700-062000-10000	COUNTERSHAFT	副轴部件	1		

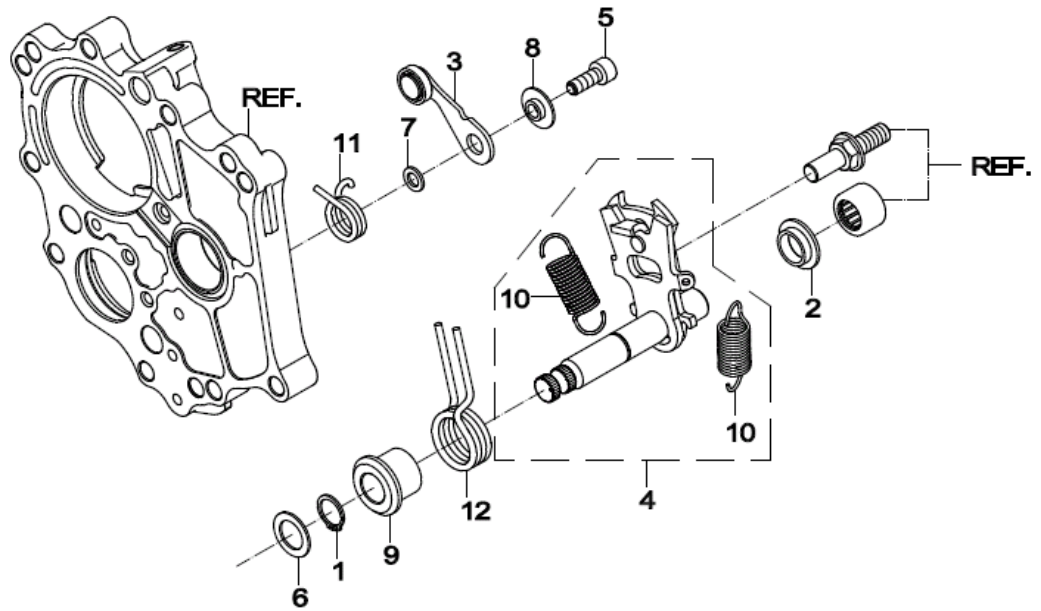
E06-2 换挡变速总成(2)/TRANSMISSION SYSTEM(2)



E06-3 换档变速总成 (3) TRANSMISSION SYSTEM (3)

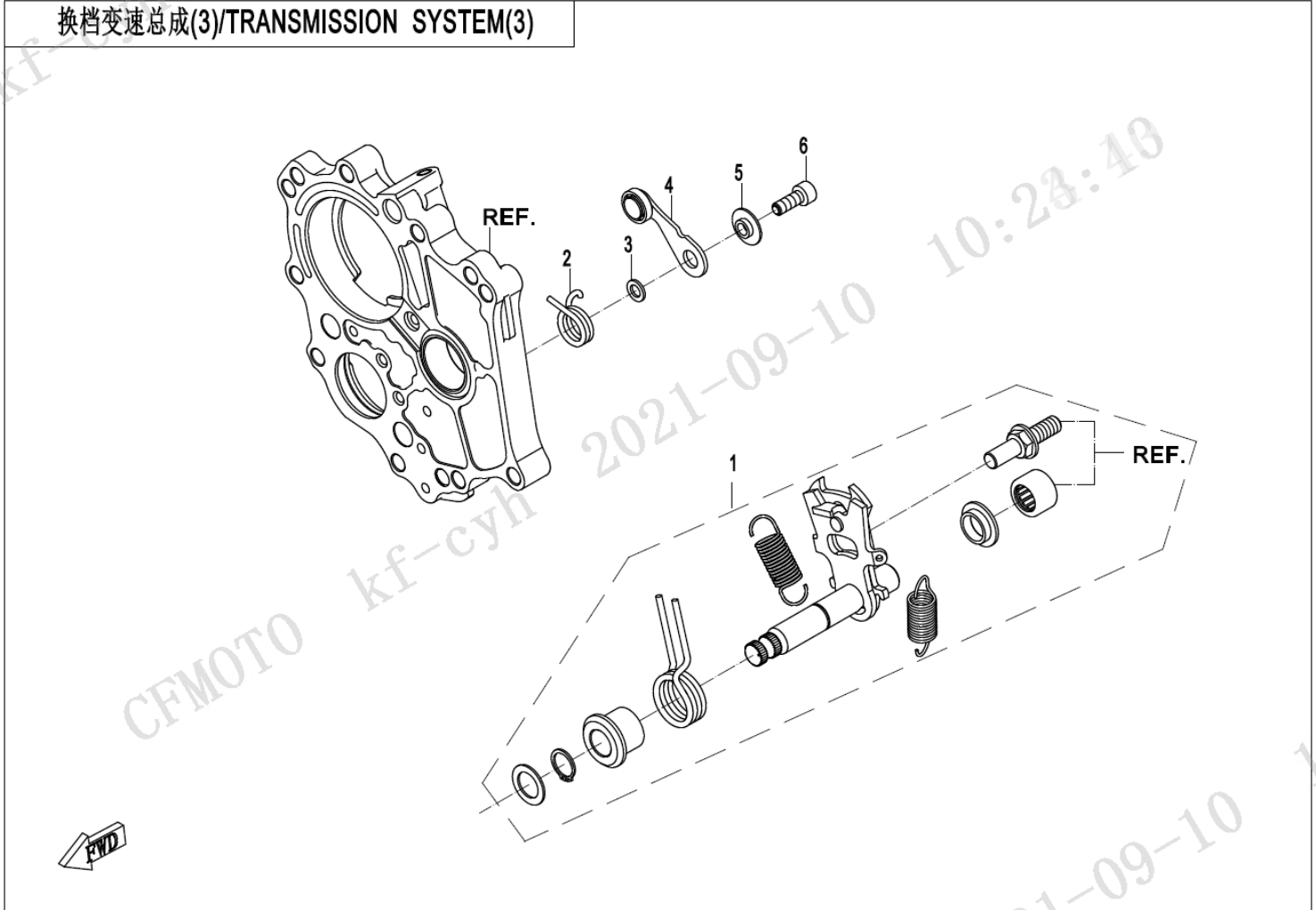
Item No.	Parts Number	Parts Name(EN)	Parts Name(CN)	Qty	Remark(s)	Alternative Parts
01	30801-01305	CIRCLIP13	挡圈13	1		
02	0700-065106	BUSHING 13	衬套13	1		
03	0700-064100	SWING ARM, GEARSHIFT	换档定位摇臂分部件	1		
04	0700-0651A0	SHAFT, GEARSHIFT	换档轴合件	1		
05	30102-060016810	SCREW	螺钉	1		
06	0700-065101-1000	WASHER 13.2x20x1.5	垫圈	1		
07	0700-064001	WASHER 6.3x16.3x1.2	垫圈	1		
08	0700-064003	SLEEVE, SWING ARM, GEARSHIFT	换档定位摇臂轴套	1		
09	0700-065102	SHAFT SLEEVE	轴套	1		
10	0700-065107	SPRING, SWING ARM, GEARSHIFT	换档摇臂拉簧	2		
11	0700-064002	SPRING, SWING ARM, GEARSHIFT	换档定位摇臂扭簧	1		
12	0700-065103-10000	RETURN SPRING, GEARSHIFT	换档摇臂回位扭簧	1		

E06-3 换档变速总成(3)/TRANSMISSION SYSTEM(3)



E06-3-V2 换档变速总成 (3) TRANSMISSION SYSTEM (3)

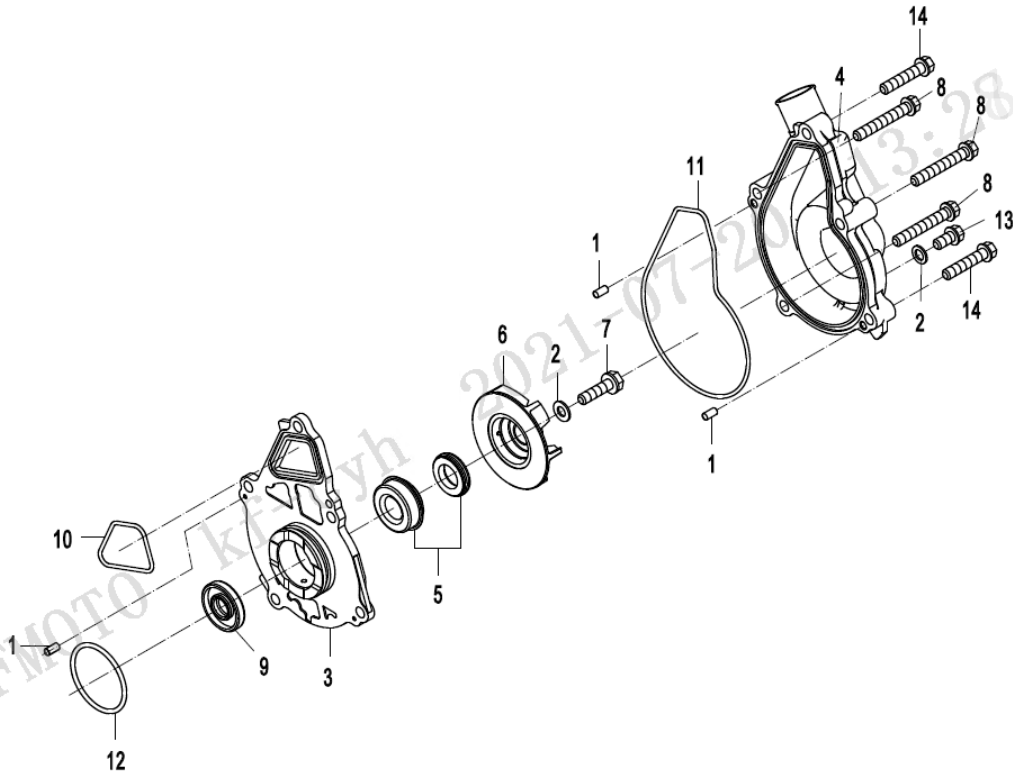
Item No.	Parts Number	Parts Name(EN)	Parts Name(CN)	Qty	Remark(s)	Alternative Parts
01	0700-065100-20000	GEARSHIFT SHAFT SUB ASSY	换档轴分部件	1		
02	0700-064002	SPRING, SWING ARM, GEARSHIFT	换档定位摇臂扭簧	1		
03	0700-064001	WASHER 6.3x16.3x1.2	垫圈	1		
04	0700-064100	SWING ARM, GEARSHIFT	换档定位摇臂分部件	1		
05	0700-064003	SLEEVE, SWING ARM, GEARSHIFT	换档定位摇臂轴套	1		
06	30102-060016810	SCREW	螺钉	1		



E08 水泵总成 WATER PUMP

Item No.	Parts Number	Parts Name(EN)	Parts Name(CN)	Qty	Remark(s)	Alternative Parts
01	30406-00401	ROLLER NEEDLE P4x7.8	滚针P4x7.8	3		
02	0010-080011	WASHER 6x12x1	垫圈	2		
03	0700-081001-1B200	WATER PUMP BODY (MATTE BLACK)	水泵体	1		
03	0700-081001-1BY00	WATER PUMP	水泵体	1		
04	0700-080001-1BY00	WATER PUMP COVER	水泵盖	1		
04	0700-080001-1B200	WATER PUMP COVER (MATTE BLACK)	水泵盖	1		
04	0700-080001-1H700	WATER PUMP COVER	水泵盖	1		
05	0700-081200	WATER SEAL ASSY	水封组件	1		
06	0700-080003-00001	IMPELLER, WATER PUMP	水泵叶轮	1		
07	0010-080013-0010	BOLT M6x22	螺栓	1		
08	0010-013009-0010	BOLT M6x40	螺栓	3		
09	0700-081100	OIL SEAL 12x32x5.5	油封	1		0700-081100-10000
10	0700-081002	SEAL RING, WATER PUMP HOUSING	水泵体密封圈	1		
11	0700-080002	SEAL RING, WATER PUMP COVER	水泵盖密封圈	1		
12	0700-081004	O-RING 37x2.5	O型密封圈37X2.5	1		
13	0010-021019-0010	BOLT M6x12	螺栓	1		
14	0010-060012-0010	BOLT M6x30	螺栓	2		

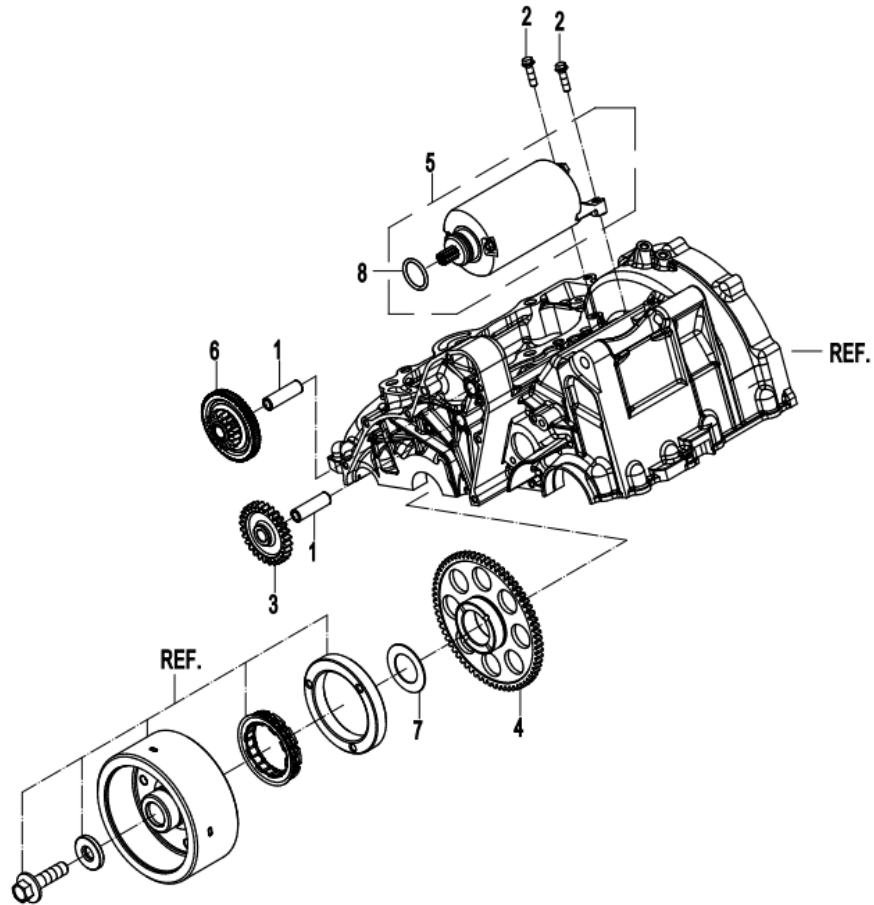
水泵总成/WATER PUMP



E09 启动系统 STARTING SYSTEM

Item No.	Parts Number	Parts Name(EN)	Parts Name(CN)	Qty	Remark(s)	Alternative Parts
01	0700-090003	SHAFT, MIDDLE GEAR	中间齿轮轴	2		
02	0010-080013-0010	BOLT M6x22	螺栓	2		
03	0700-090002	STARTING GEAR	起动中间齿轮	1		
04	0700-094000-10001	GEAR ASSY, STARTING MOTOR	起动大齿轮组件	1		
05	0700-093000	STARTING MOTOR	起动电机组件	1		0HU0-093000
06	0700-090004	DUAL GEAR	双联齿轮	1		
07	0700-090001	WASHER 29.2x48x1.2	垫圈	1		
08	0700-093101	O-SEAL RING 24.7x3.10	O形密封圈	1		

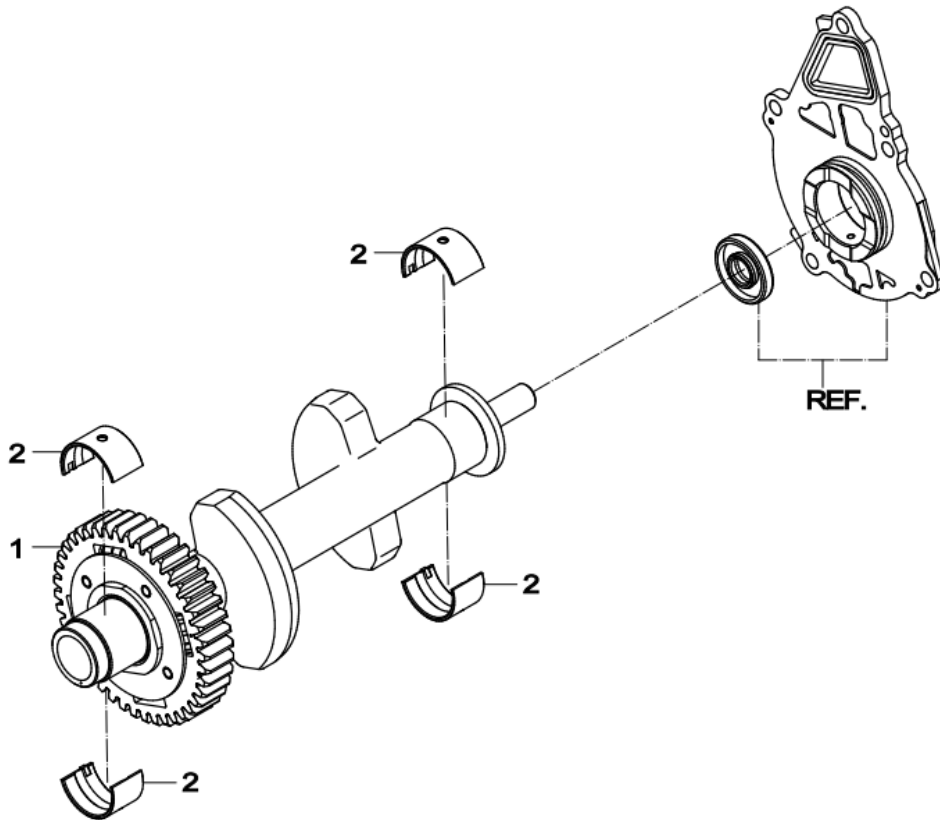
E09 启动系统/STARTING SYSTEM



E16 平衡轴总成 BALANCER SHAFT

Item No.	Parts Number	Parts Name(EN)	Parts Name(CN)	Qty	Remark(s)	Alternative Parts
01	0700-160000-30010	BALANCER SHAFT ASSY 283MT	平衡轴总成	1	MARK B	
01	0700-160000-30020	BALANCER SHAFT ASSY 283MT	平衡轴总成	1	MARK A	
02	0700-011004-00011	PALIN BEARING, BALANCER SHAFT	平衡轴瓦	4		
02	0700-011004-00021	PALIN BEARING, BALANCER SHAFT	平衡轴瓦	4		

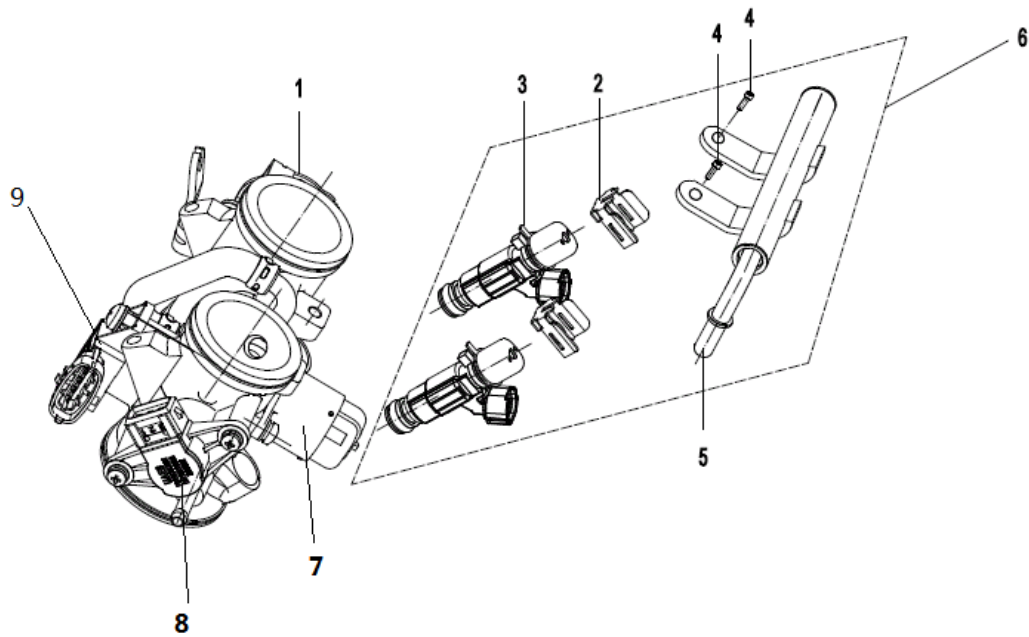
E16 平衡轴总成 BALANCER SHAFT



E17 节气门阀体和喷油器 THROTTLE&INJECTOR

Item No.	Parts Number	Parts Name(EN)	Parts Name(CN)	Qty	Remark(s)	Alternative Parts
01	0700-173000-60000	THROTTLE BODY ASSY (ONLY FOR CF650-7, STRAIGHT CYLINDER VALVE)	节气门阀体总成	1		
02	0MQ0-171001	CIRCLIP	卡簧	2		
03	0700-171100	FUEL INJECTOR	喷油器	2		
04	0010-090006-00001	SCREW	螺钉	2		
05	0MQ0-171200	FUEL RAIL	油轨	1		
06	0700-171000-10000	FUEL RAIL ASSY	油轨总成	1		
07	0MQ0-173100	IDLE STEPPING MOTOR	怠速步进电机	1		
08	0GRB-173300	THROTTLE POSITION SENSOR	节气门位置传感器	1		
09	0JY0-175000	T-MAP	进气温度、压力传感器	1		

E17 节气门阀体和喷油器 THROTTLE&INJECTOR



E18 发动机密封垫组合 ENGINE GASKET SET

Item No.	Parts Number	Parts Name(EN)	Parts Name(CN)	Qty	Remark(s)	Alternative Parts
01	0700-022100-0001	GASKET KIT, CYLINDER HEAD	气缸盖垫片组件	1		
02	0700-023002-0001	GASKET, CYLINDER	气缸体垫片	1		
03	0700-014002-10000	GASKET, LH SIDE COVER	左侧盖密封垫	1		
04	0700-065202-10000	GASKET, TRANSMISSION COVER	换挡轴盖垫片	1		
05	0700-013002-10000	GASKET, RH SIDE COVER	右侧盖密封垫	1		
06	0700-015004-10000	GASKET, OIL PAN	油底壳垫片	1		
07	0700-0000A0	ENGINE GASKET SET	发动机密封垫组合	1		

E18 发动机密封垫组合/ENGINE GASKET SET

