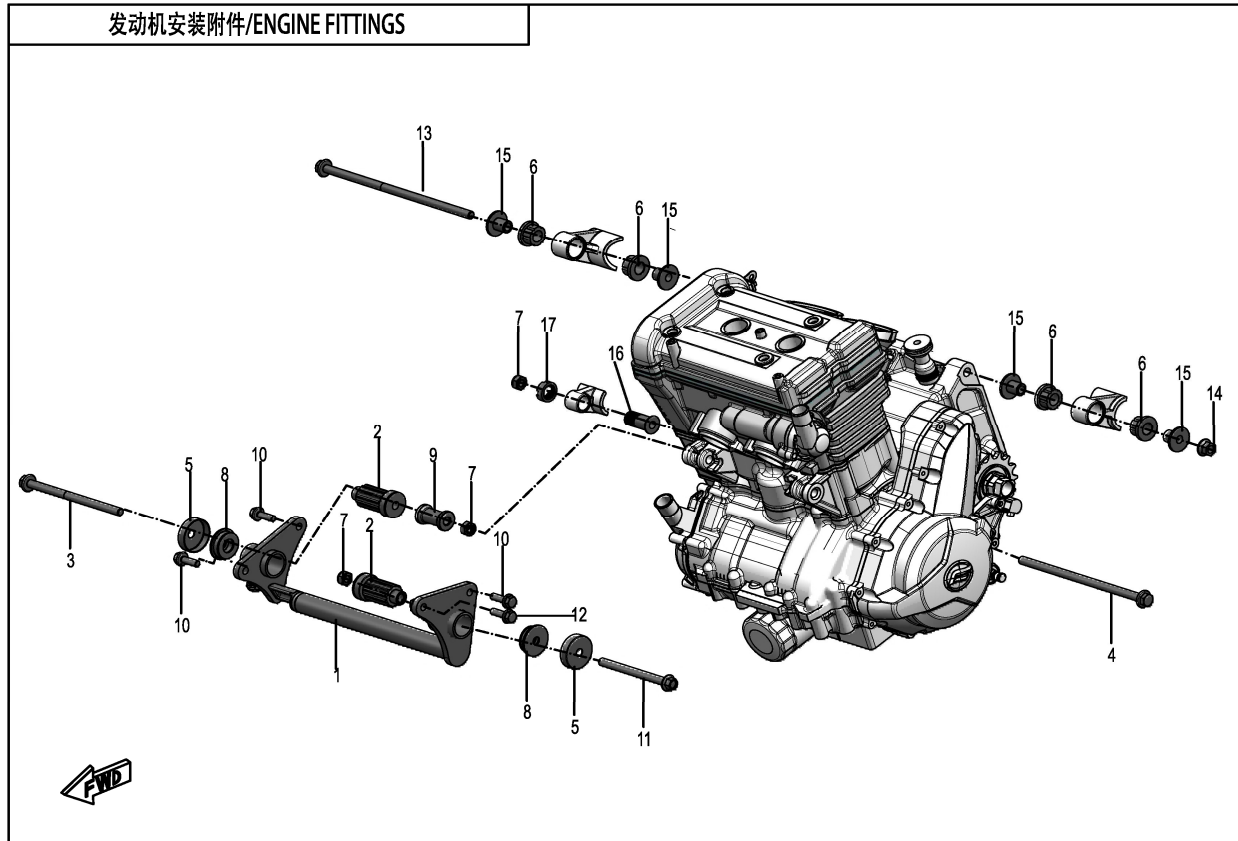


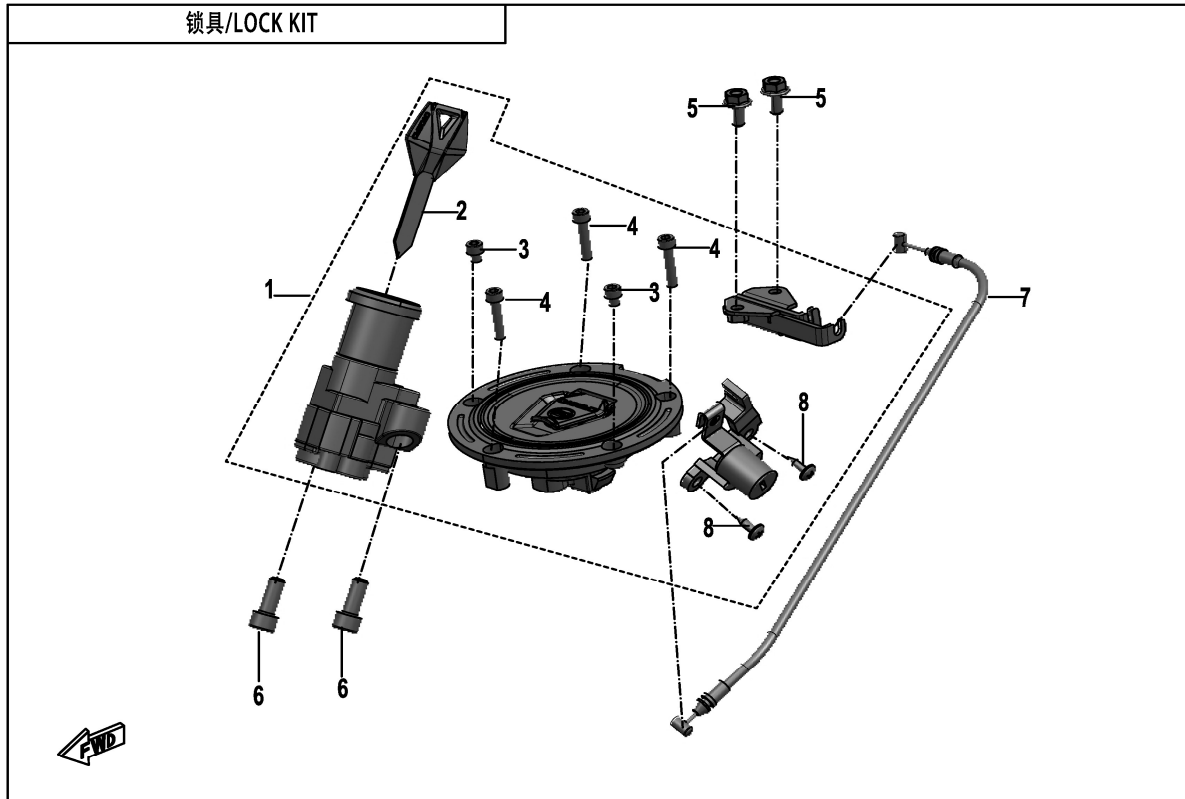
### F00 发动机安装附件 ENGINE FITTINGS

Item No.	Parts Number	Parts Name(EN)	Parts Name(CN)	Qty	Remark(s)	MOQ	Alternative Parts
01	6NT1-000210-0BB00	FRONT BRACKET ASSY, ENGINE (PLASTIC POWDER)	发动机前安装支架组合_电泳黑色	1		1	
02	6NT1-000240	FRONT LH CUSHION RUBBER 1, ENGINE	发动机前左缓冲橡胶组合 I	2		1	
03	30001-102150110	BOLT M10x1.25x150	螺栓 GB/T5787 M10×1.25×150 三价格	1		6	
04	6NT1-000141	REAR LOWER SHAFT, ENGINE	发动机后下安装轴	1		1	
05	6NT1-000231	FRONT DUST COVER, ENGINE	发动机前缓冲橡胶防尘盖	2		1	
06	6NT1-000281	REAR UPPER RUBBER, ENGINE	发动机后上缓冲橡胶	4		1	
07	30203-102110	NUT M10x1.25	螺母	3		6	
08	6NT1-000250	FRONT LH CUSHION RUBBER 2, ENGINE	发动机前左缓冲橡胶组合 II	2		1	
09	6NT1-000221	FRONT RH BUSHING, ENGINE	发动机前右安装衬套	1		6	
10	30006-080025810	BOLT M8x25	螺栓	3		6	
11	30001-102110110	BOLT M10x1.25x110	螺栓_GB/T5787_M10×1.25×110_三价格	1		6	
12	30006-080020810	BOLT M8x20	螺栓	1		6	
13	6NT1-000131	REAR UPPER SHAFT, ENGINE	发动机后上安装轴	1		1	
14	30204-102810	NUT M10x1.25	螺母	2		6	
15	6NT1-000282	REAR UPPER RUBBER BUSHING, ENGINE	发动机后上缓冲橡胶衬套	4		1	
16	6NT1-000291	REAR LOWER THREAD SLEEVE, ENGINE	发动机后下安装螺纹套	1		1	
17	6NT1-000292	NUT M18	开槽圆螺母_M18	1		6	



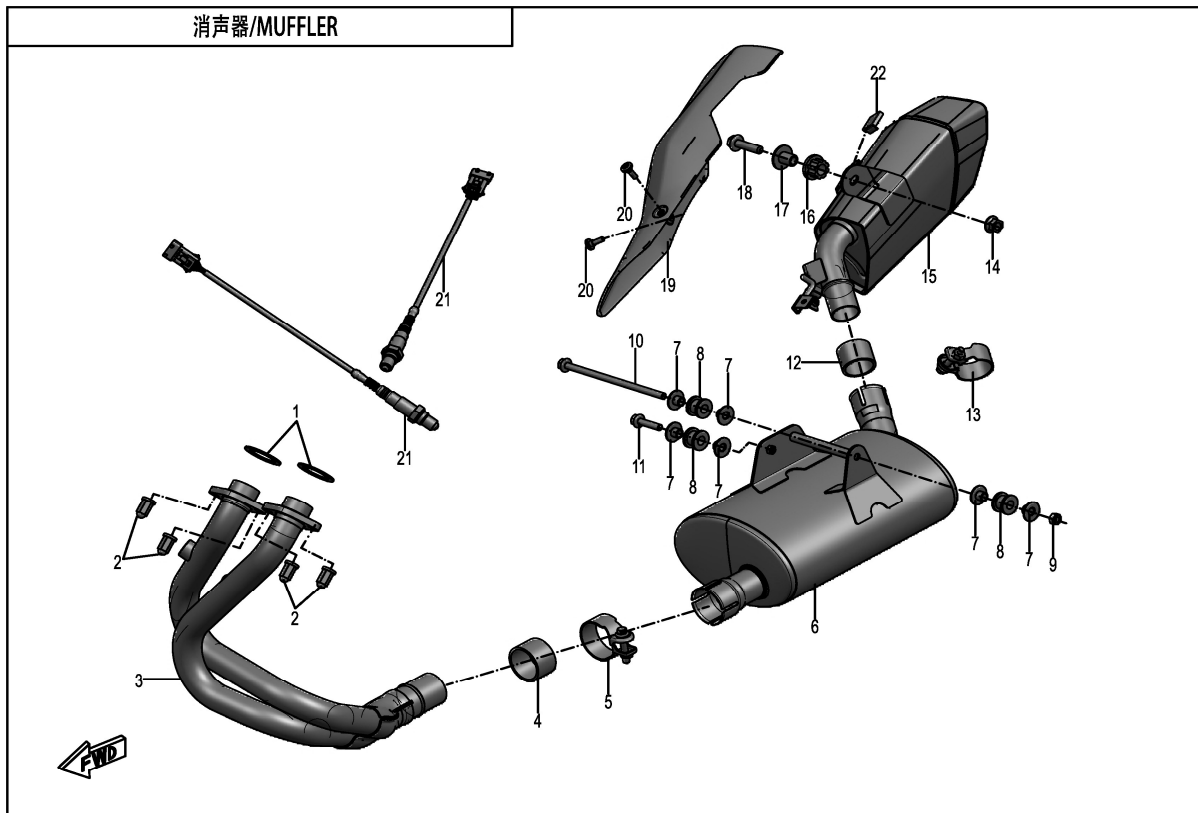
### F01 锁具 LOCK KIT

Item No.	Parts Number	Parts Name(EN)	Parts Name(CN)	Qty	Remark(s)	MOQ	Alternative Parts
01	6NQ#-011000-6000	LOCK KITS	锁具组合	1		1	6NQ#-011000-6001
02	6NQ0-011001-0MP00	KEY (BLANK)	钥匙	2		1	
03	30102-050008900	INNER HEX SCREW M5x8	内六角圆柱头螺钉_GB70.1_M5x8_不锈钢	2		6	
04	30102-050025900	INNER HEX SCREW M5x25	内六角圆柱头螺钉_GB/T70.1_M5x25_达克罗	3		6	
05	30006-060012810	BOLT M6x12	螺栓	2		6	30006-060012870
06	30102-060020810	SCREW M6x20	螺钉	2		6	
07	6NQ#-010500-6000	CABLE, REAR SEAT	后座垫拉索	1		1	
08	30110-421130010	SELF-TAPPING SCREW ST4.2x13	自攻螺钉	2		6	



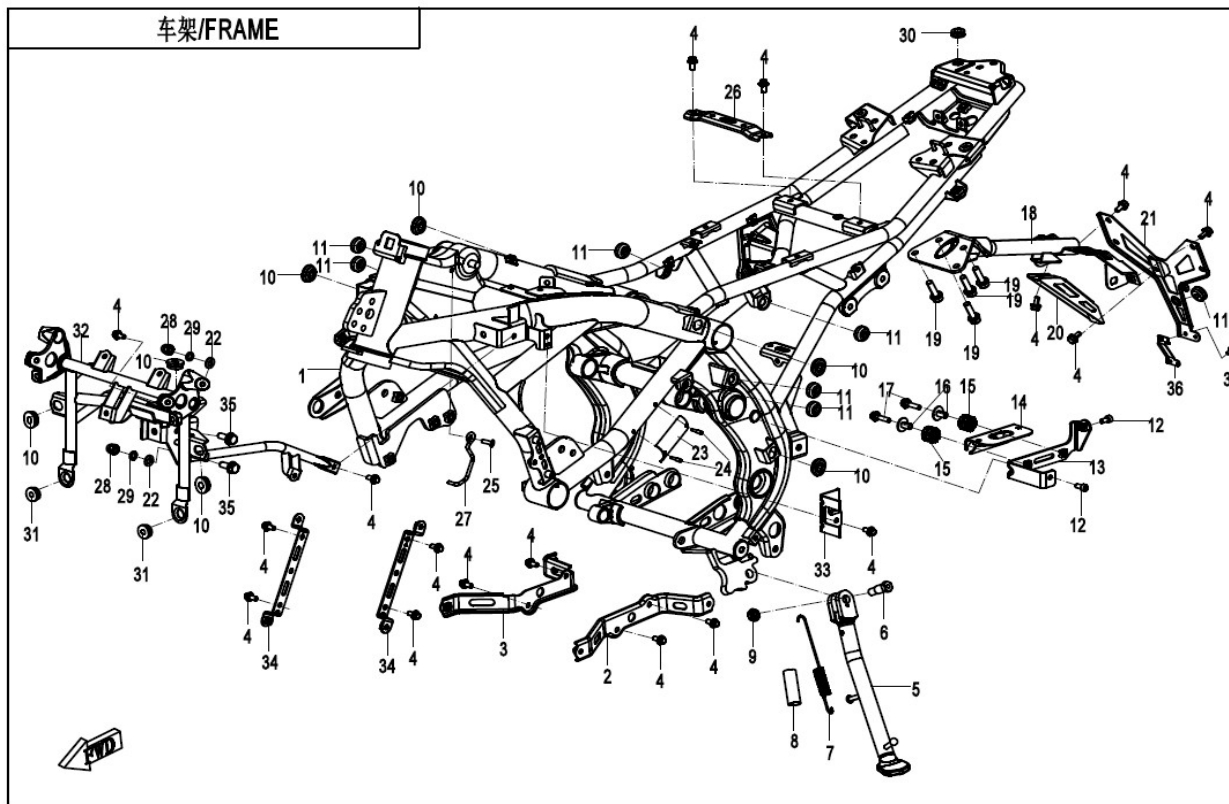
### F02 消声器 MUFFLER

Item No.	Parts Number	Parts Name(EN)	Parts Name(CN)	Qty	Remark(s)	MOQ	Alternative Parts
01	0700-022012	GASKET, EXHAUST PIPE	排气管衬垫	2		1	
02	8010-020001	NUT M8, MUFFLER JOINT	消声器接头螺母M8	4		6	
03	6NT1-021100	EXHAUST PIPE	排气管焊接组合	1		1	6NT1-021100-10000
04	A000-020002	SEAL SLEEVE, GRAPHITE 1	石墨密封套 I	1		1	
05	A000-020600	CLAMP 2	卡箍组件 II	1		1	
06	6NT#-021100-9000	MUFFLER BODY	消声器主筒组件	1	EU4	1	
07	A000-020005	BUSHING	衬套	6		1	
08	A000-020004	DAMPER, MUFFLER	消声器缓冲套	3		1	
09	30204-080810	NUT M8	螺母	1		6	
10	A000-020006	SHAFT, MUFFLER	消声器安装轴_军绿	1		1	
11	30006-080035810	BOLT M8x35	螺栓	1		6	
12	A000-020003	SEAL SLEEVE, GRAPHITE 2	石墨密封套 II	1		1	
13	A000-020500	CLAMP 1	卡箍组件 I	1		1	
14	30204-102810	NUT M10x1.25	螺母	1		6	
15	6NQ#-021200-6000	TAIL ASSY, MUFFLER	消音器尾筒组件	1		1	
16	6NT1-000281	REAR UPPER RUBBER, ENGINE	发动机后上缓冲橡胶	1		1	
17	6NQ#-000201-6001	REAR UPPER RUBBER BUSHING, ENGINE	发动机后上缓冲橡胶衬套	1		1	
18	30006-102040860	BOLT M10x1.25x40	螺栓_GB/T5789_M10x1.25x40_达克罗	1		1	
19	6NQ#-020001-6001	DECO GUARD, TAIL	尾筒装饰罩	1		1	
20	6NQ#-000205-6001	MOUNTING SCREW, CHAIN GUARD	链条护卡安装螺钉	2		1	
21	018B-176000	OXYGEN SENSOR	氧传感器	2		1	
22	6KMO-021001	RUBBER COLLAR	橡胶套	1		1	



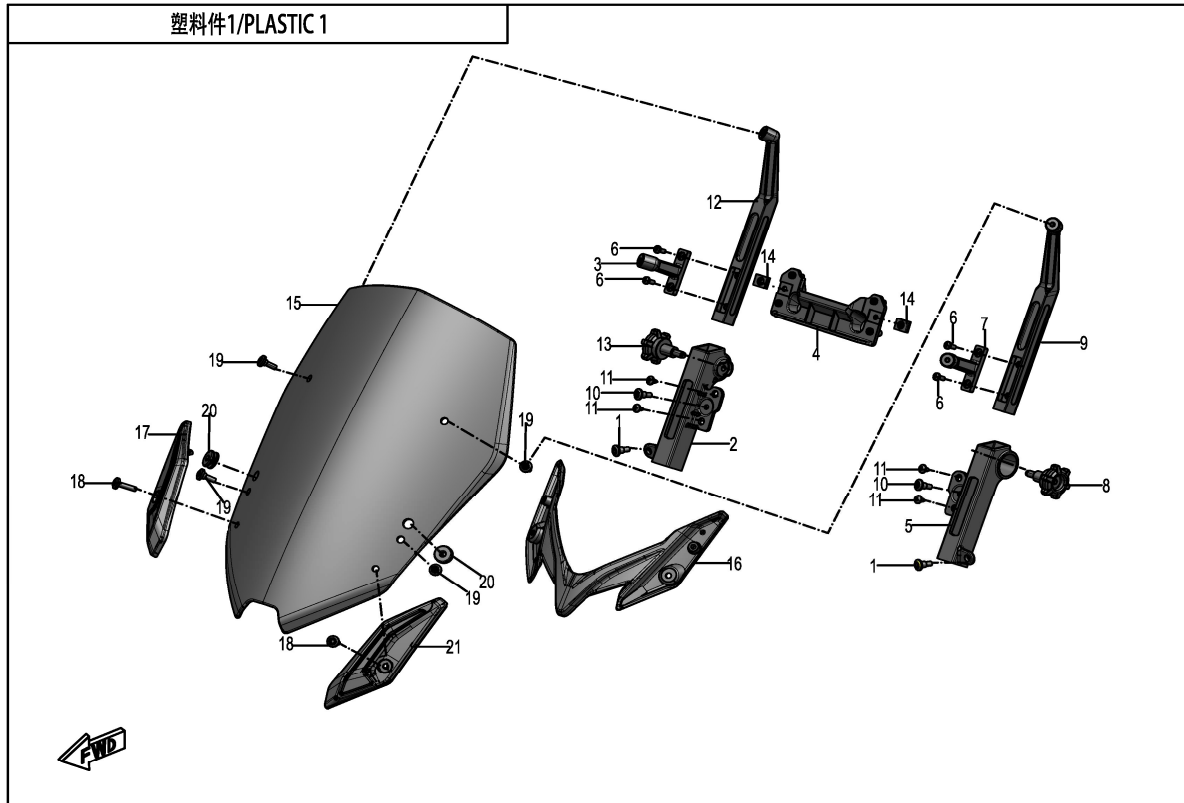
### F03 车架 FRAME

Item No.	Parts Number	Parts Name(EN)	Parts Name(CN)	Qty	Remark(s)	MOQ	Alternative Parts
01	6NQ#-031000-6001-01	FRAME ASSY	车架焊接组件	1		1	6NQ#-031000-6002-01-0BB00
01	6NQ#-031000-6002-01-0BB00	FRAME	车架焊接组件_磨砂塑粉	1		1	
02	6NQ#-030030-6000	LH BRACKET, LOWER DEFLECTOR	左下导流罩安装支架	1		1	
03	6NQ#-030040-6001	BRACKET, RH LOWER DEFLECTOR	右下导流罩安装支架	1		1	
04	30006-060012870	BOLT M6x12	螺栓	18		1	
05	6NQ#-030190-6000	SIDE STAND	侧支架焊接组合	1		1	
06	A000-030006	BOLT, SIDE STAND	侧支架螺栓	1		1	
07	A000-030210	SPRING, SIDE STAND	边撑弹簧组合_发黑	1		1	
08	A000-030004	SPRING COLLAR, SIDE STAND	边撑弹簧护套	1		1	
09	30208-102810	NUT M10x1.25	螺母_GB/T6173_M10x1.25_三价铬	1		6	
10	8080-040064	DAMPER, FRONT FENDER	前围缓冲橡胶套	7		1	
11	A000-040302	RUBBER DAMPER	油箱外护罩缓冲橡胶	7		1	
12	30102-060012810	SCREW	螺钉	2		6	
13	6NQ#-030080-6000	MOUNTING SEAT, REGULATOR	整流器安装座	1		1	
14	A000-030130	BRACKET 2, REGULATOR	调压器安装支架组合	1		1	
15	5020-031001	RUBBER SLEEVE, FRONT LICENSE BRACKET	前牌照支架橡胶胶套	2		6	
16	5020-031002	RUBBER SLEEVE LINER, FRONT LICENSE BRACKET	前牌照支架橡胶套衬套	2		6	
17	30006-060025870	BOLT M6x25	螺栓_GB/T5789_M6x25_黑锌	2		1	
18	6NT1-030100-0BB00	BRACKET, REAR FENDER(PLASTIC POWDER)	后挡泥板支架焊接组件_砂纹塑粉	1		1	
19	30006-080028810	BOLT M8x28	螺栓	4		6	
20	6KJ0-030601-0BB0	SUPPORT PLATE, REAR LICENCE(PLASTIC POWDER)	后牌照支撑板_砂纹塑粉	1		1	
21	6KJ0-030200-0BB0	BRACKET, REAR LICENCE(PLASTIC POWDER)	后牌照安装支架_砂纹塑粉	1		1	
22	30306-080112	WASHER 8	垫圈	2		6	
23	6NT#-190012-9000	VIN PLATE	车辆铭牌	1		1	
24	30902-0420820	BLIND RIVET 4.2x8	抽芯铆钉_GB/T12618_4.2x8_白锌	2		6	30902-0400820
25	A000-040702	INNER HEX SCREW M6x12	内六角螺钉M6x12	1		6	6KM#-040702-8000
26	6NQ#-030060-6000	MOUNTING SEAT, FUEL TANK	油箱安装座	1		1	
27	A000-030001	LH CLAMP, MAIN CABLE	主电缆左线夹	1		1	
28	30206-080510	NUT M8	盖形螺母_GB/T923_M8_三价铬	2		6	
29	30303-080112	WASHER 8	垫圈	2		6	
30	5BY0-040010	RUBBER SLEEVE	橡胶套	1		1	
31	0180-015003	RUBBER SLEEVE	橡胶套	2		6	
32	6NQ#-030400-6002	FRONT BRACKET ASSY	前支架焊接组件	1		1	
33	6NT1-030001	BRACKET, CANISTER	碳罐安装支架	1		1	
34	6NQ#-030050-6000	MOUNTING SEAT, FRONT FENDER	前挡泥板安装座	2		1	
35	30006-080020810	BOLT M8x20	螺栓	2		6	
36	6KJ0-030920	MOUNTING SEAT, RH REFLECTOR	后反射器安装座	1		1	
37	30006-050020810	BOLT M5x20	螺栓	1		6	



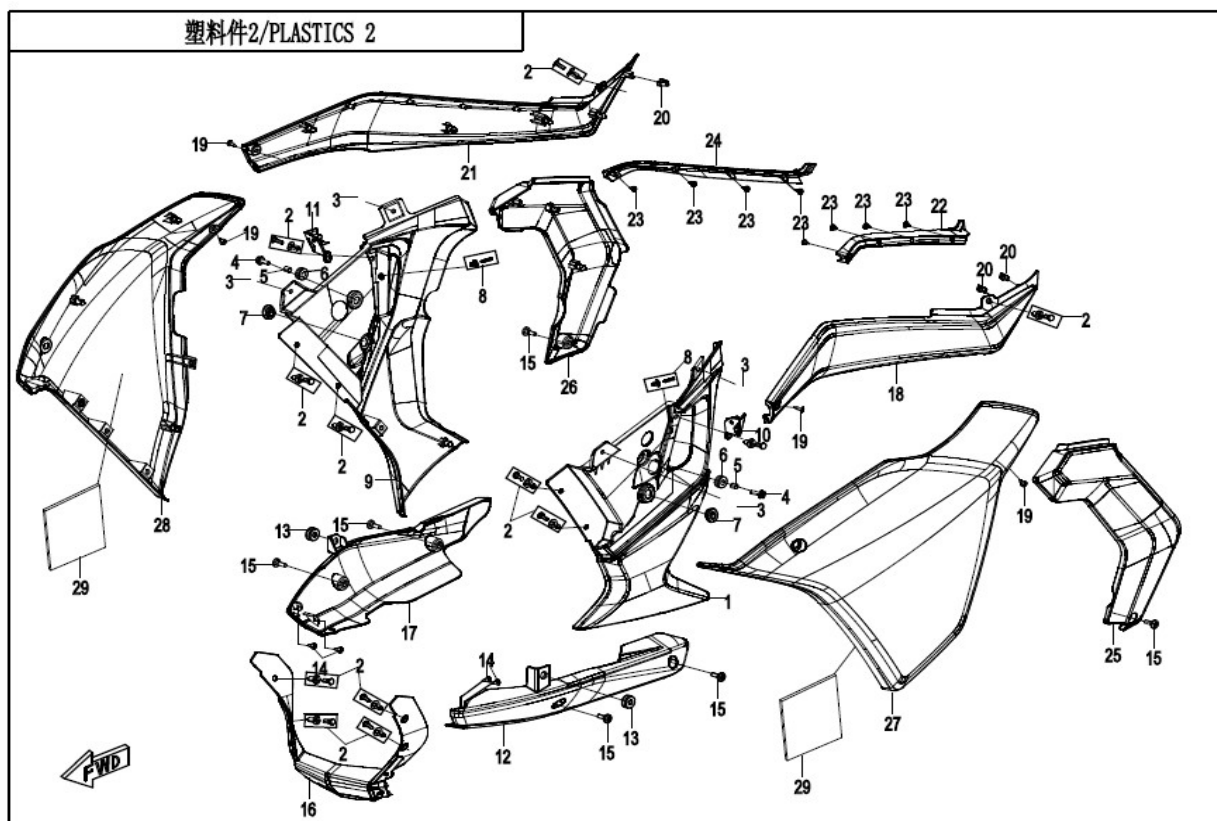
F04-1 塑料件1 PLASTICS 1

Item No.	Parts Number	Parts Name(EN)	Parts Name(CN)	Qty	Remark(s)	MOQ	Alternative Parts
01	30006-060020810	BOLT M6x20	螺栓	2		6	30006-060020870
02	6NQ#-040102-6000	RH BRACKET, WINDSHIELD	挡风右支架	1		1	
03	6NQ#-040109-6000	RH LOWER FIXING ROD, WINDSHIELD	挡风玻璃右下固定杆	1		1	
04	6NQ#-040111-6001	CONNECTING PLATE, WINDSHIELD	风挡连接板	1		1	
05	6NQ#-040101-6000	LH BRACKET, WINDSHIELD	挡风左支架	1		1	
06	30112-050016440	SCREW ASSY M5x16	螺钉组合件_GB/T9074.1_M5x16_军绿	4		6	
07	6NQ#-040108-6000	LH LOWER FIXING ROD, WINDSHIELD	挡风玻璃左下固定杆	1		1	
08	6NQ#-040103-6000	KNOB(LEFT HEAD-THREAD), WINDSHIELD	挡风左旋钮组件	1		1	
09	6NQ#-040104-6000	LH SUPPORTING ROD, WINDSHIELD	风挡左支杆	1		1	
10	8010-000004	BOLT M6x14	凸缘螺栓M6x14	2		6	
11	30110-481130010	SELF-TAPPING SCREW ST4.8x13	自攻螺钉	4		6	
12	6NQ#-040105-6000	RH SUPPORTING ROD, WINDSHIELD	挡风右支杆	1		1	
13	6NQ#-040113-6000	KNOB(RIGHT HEAD-THREAD), WINDSHIELD	挡风右旋钮组件	1		1	
14	8030-040800-00001	NUT CLIP M6	M6螺母夹	2		6	
15	6NQ#-040051-6000	WINDSHIELD	挡风玻璃	1		1	
16	6NQ#-040041-6000	LOWER PLATE, WINDSHIELD	挡风玻璃下盖板	1		1	
17	6NQ#-040043-6001	RH COVER PLATE, WINDSHIELD	挡风玻璃右盖板	1		1	
18	6NTG-200424	INNER HEX SCREW M6x25	内六角螺钉M6x25	2		6	
19	A000-060002	SCREW, CHAIN GUARD	链条护卡安装螺钉_不锈钢	4		1	
20	A000-040302	RUBBER DAMPER	油箱外护罩缓冲橡胶	2		1	
21	6NQ#-040042-6001	LH COVER PLATE, WINDSHIELD	挡风玻璃左盖板	1		1	



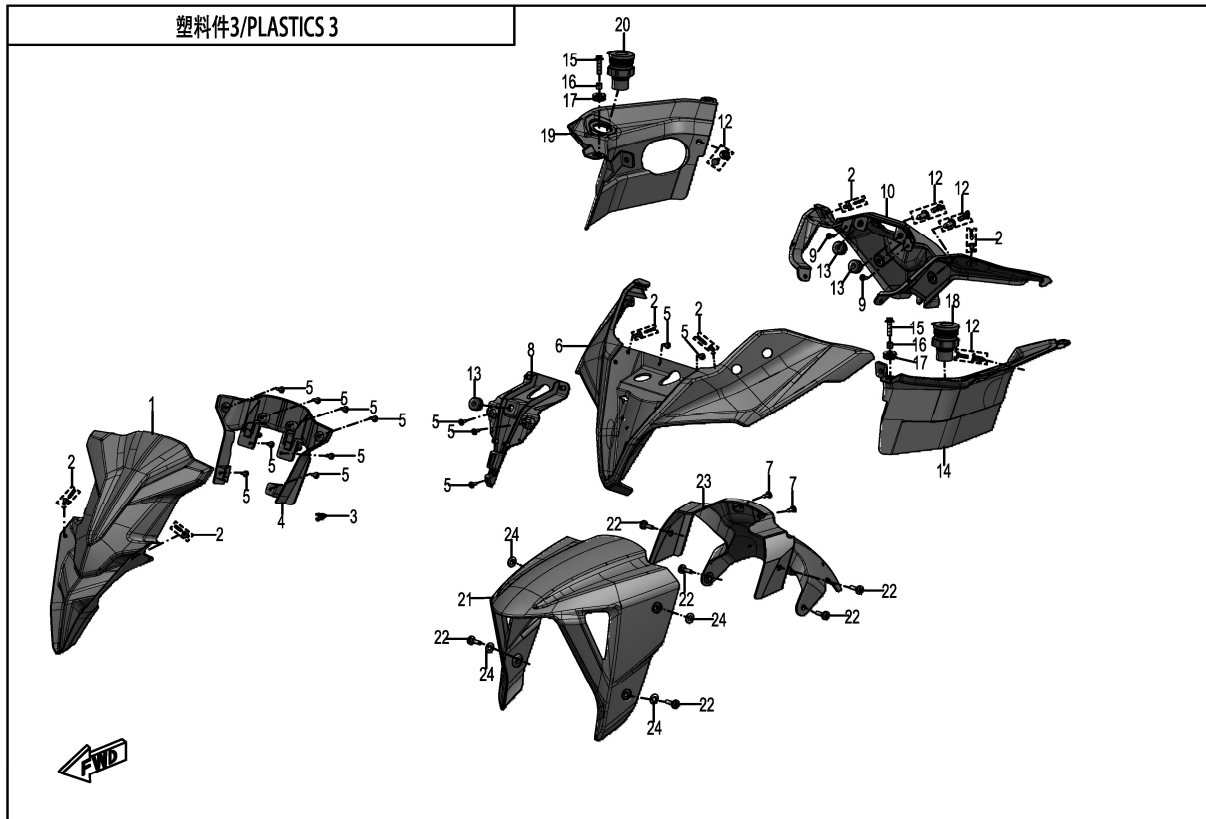
F04-2 塑料件2 PLASTICS 2

Item No.	Parts Number	Parts Name(EN)	Parts Name(CN)	Qty	Remark(s)	MOQ	Alternative Parts
01	6NQ#-040014-6000	LH INNER PANEL, RESERVOIR TANK	水箱左内护板	1		1	
02	9060-040310	PLASTIC CLIPS	塑料卡组合	12		6	
03	30016-060016810	BOLT M6x16	螺栓 GB/T35_M6*16 三价格	4		6	30102-060025810
04	30006-060020810	BOLT M6x20	螺栓	2		6	30006-060020870
05	6090-040303	BUSHING	衬套	2		6	
06	6090-040302	RUBBER DAMPER	缓冲胶套	2		6	
07	8080-040064	DAMPER, FRONT FENDER	前围缓冲橡胶套	2		1	
08	8080-041130	PLASTIC SCREW	塑料膨胀螺钉组合	2		6	
09	6NQ#-040015-6000	RH INNER PANEL, RESERVOIR TANK	水箱右内护板	1		1	
10	6NQ#-040036-6000	SHADING STRIP, RESERVOIR TANK LH OUTER PANEL	水箱左外护板遮光片	1		1	
11	6NQ#-040037-6000	SHADING STRIP, RESERVOIR TANK RH OUTER PANEL	水箱右外护板遮光片	1		1	
12	6NQ#-040016-6000	LH PANEL, ENGINE	发动机左护板	1		1	
13	A000-040302	RUBBER DAMPER	油箱外护缓冲橡胶	2		1	
13	6NQ#-040013-6000-0BM00	RH OUTER PANEL, RESERVOIR TANK(NEBULA BLACK)	水箱右外护板_星光黑	1		1	6NQ#-040012-6001-0BM00+6NQ#-040013-6001-0BM00+5270-150002 (2)
14	30110-420160010	SELF-TAPPING SCREW ST4.2x16	自攻螺钉	4		6	
15	6NQ#-000205-6001	MOUNTING SCREW, CHAIN GUARD	链条护卡安装螺钉	6		1	
16	6NQ#-040017-6000	MIDDLE PANEL, ENGINE	发动机中护板	1		1	
17	6NQ#-040018-6000	RH PANEL, ENGINE	发动机右护板	1		1	
18	6NQ#-040019-6002-0BM00	LH PANEL(NEBULA BLACK)	左护板_星光黑	1		1	
18	6NQ#-040019-6001-0BM00	LH PANEL(NEBULA BLACK)	左护板_星光黑	1		1	6NQ#-040019-6002-0BM00
18	6NQ#-040019-6002-0H300	LH PANEL(SILVER BLACK)	左护板_平光黑	1		1	
19	30110-481130010	SELF-TAPPING SCREW ST4.8x13	自攻螺钉	4		6	
20	8080-000001	CLASP	卡扣	3		1	
21	6NQ#-040021-6001-0BM00	RH PANEL(NEBULA BLACK)	右护板_星光黑	1		1	
21	6NQ#-040021-6001-0H300	RH PANEL(SILVER BLACK)	右护板_平光黑	1		1	
22	6NQ#-040038-6000	SHADING STRAP, LH PANEL	左护板遮光条	1		1	
23	30110-420095010	SELF-TAPPING SCREW ST4.2x9.5	自攻螺钉	8		6	
24	6NQ#-040039-6000	SHADING STRAP, RH PANEL	右护板遮光条	1		1	
25	6NQ#-040022-6000	LH PANEL, FRAME	车架左护板	1		1	
26	6NQ#-040023-6000	RH PANEL, FRAME	车架右护板	1		1	
27	6NQ#-040012-6000-0EM00	LH OUTER PANEL, RESERVOIR TANK(MATTE CONCEPT BLUE)	水箱左外护板_亚光概念蓝	1		1	6NQ#-040012-6001-0EM00+6NQ#-040013-6001-0EM00+5270-150002(2)
27	6NQ#-040012-6000-0VE00	LH OUTER PANEL, RESERVOIR TANK(NEBULA WHITE)	水箱左外护板_星光白	1		1	6NQ#-040012-6001-0VE00+6NQ#-040013-6001-0VE00+5270-150002(2)
27	6NQ#-040012-6001-0BM00	LH OUTER PANEL, RESERVOIR TANK(NEBULA BLACK)	水箱左外护板_星光黑	1		1	
27	6NQ#-040012-6001-0EM00	LH OUTER PANEL, RESERVOIR TANK(MATTE CONCEPT BLUE)	水箱左外护板_亚光概念蓝	1		1	
27	6NQ#-040012-6001-0VE00	LH OUTER PANEL, RESERVOIR TANK(NEBULA WHITE)	水箱左外护板_星光白	1		1	
27	6NQ#-040012-6000-0BM00	LH OUTER PANEL, RESERVOIR TANK(NEBULA BLACK)	水箱左外护板_星光黑	1		1	
28	6NQ#-040013-6001-0BM00	RH OUTER PANEL, RESERVOIR TANK(NEBULA BLACK)	水箱右外护板_星光黑	1		1	
28	6NQ#-040013-6001-0EM00	RH OUTER PANEL, RESERVOIR TANK(MATTE CONCEPT BLUE)	水箱右外护板_亚光概念蓝	1		1	
28	6NQ#-040013-6001-0VE00	RH OUTER PANEL, RESERVOIR TANK(NEBULA WHITE)	水箱右外护板_星光白	1		1	
28	6NQ#-040013-6000-0EM00	RH OUTER PANEL, RESERVOIR TANK(MATTE CONCEPT BLUE)	水箱右外护板_亚光概念蓝	1		1	6NQ#-040012-6001-0EM00+6NQ#-040013-6001-0EM00+5270-150002
28	6NQ#-040013-6000-0VE00	RH OUTER PANEL, RESERVOIR TANK(NEBULA WHITE)	水箱右外护板_星光白	1		1	6NQ#-040012-6001-0VE00+6NQ#-040013-6001-0VE00+5270-150002
29	5270-150002	FOAM (FR &RR), BATTERY	蓄电池泡沫垫前后	2		1	



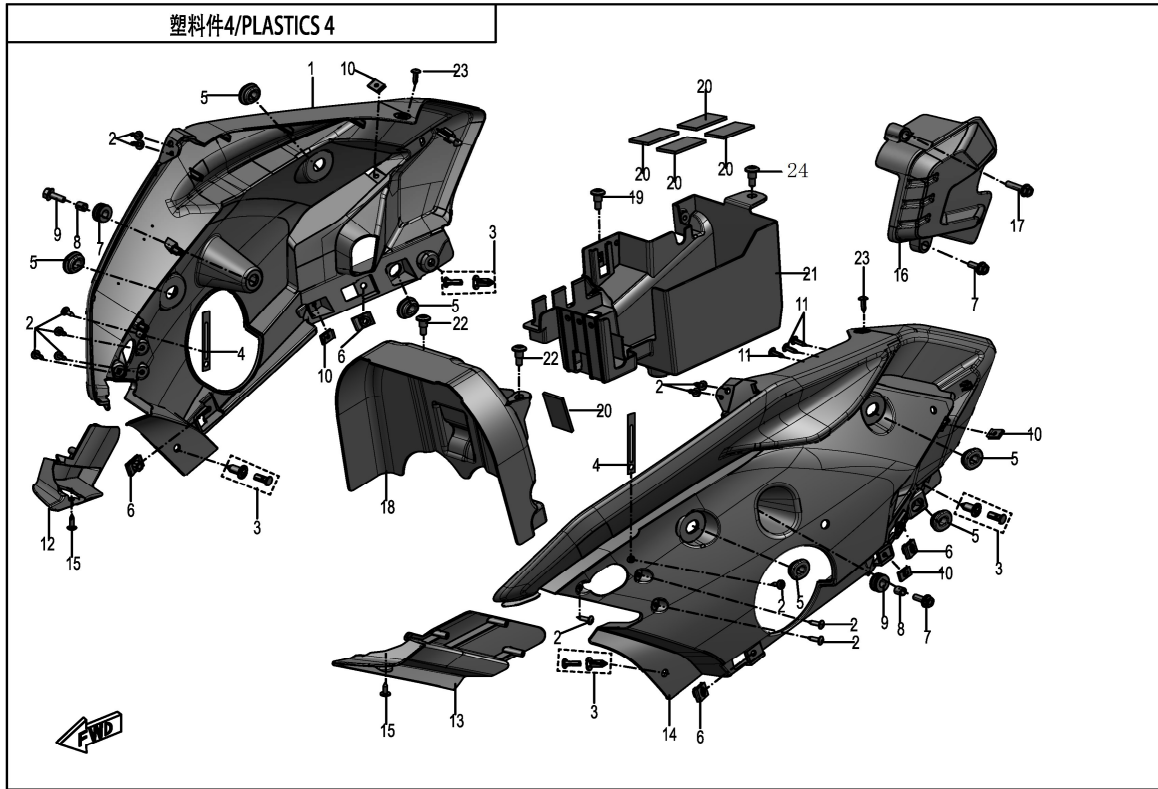
F04-3 塑料件3 PLASTICS 3

Item No.	Parts Number	Parts Name(EN)	Parts Name(CN)	Qty	Remark(s)	MOQ	Alternative Parts
01	6NQ#-040005-6001	UPPER PANEL, HEADLIGHT	前照灯上护板	1		1	
02	8080-041130	PLASTIC SCREW	塑料膨胀螺钉组合	6		6	
03	8080-000001	CLASP	卡扣	1		1	
04	6NQ#-040006-6000	INNER LINER, HEADLIGHT UPPER PANEL	前照灯上护板内衬	1		1	
05	30110-421130010	SELF-TAPPING SCREW ST4.2x13	自攻螺钉	8		6	
06	6NQ#-040004-6000-0EM00	FRONT PANEL, HEADLIGHT(MATTE CONCEPT BLUE)	前照灯前护板_亚光概念蓝	1		1	
06	6NQ#-040004-6000-0VE00	FRONT PANEL, HEADLIGHT(NEBULA WHITE)	前照灯前护板_星光白	1		1	
06	6NQ#-040004-6000-0BM00	FRONT PANEL, HEADLIGHT(NEBULA WHITE)	前照灯前护板_星光黑	1		1	
07	30110-420160010	SELF-TAPPING SCREW ST4.2x16	自攻螺钉	2		6	
08	6NQ#-040034-6000	BRACKET, HEADLIGHT FRONT PANEL	前照灯前护板安装板	1		1	
09	30110-480160010	SELF-TAPPING SCREW ST4.8x16	自攻螺钉	2		6	
10	6NQ#-040001-6000	LOWER COVER, DASHBOARD	仪表下罩_彩屏	1		1	
11	30110-481130010	SELF-TAPPING SCREW ST4.8x13	自攻螺钉	2		6	
12	9060-040310	PLASTIC CLIPS	塑料卡组合	4		6	
13	A000-040302	RUBBER DAMPER	油箱外护罩缓冲橡胶	3		1	
14	6NQ#-040002-6001	LH FRONT INNER PANEL	左前内护板	1		1	6NQ#-040002-6002
15	30006-060020810	BOLT M6x20	螺栓	2		6	30006-060020870
16	6090-040303	BUSHING	衬套	2		6	
17	6090-040302	RUBBER DAMPER	缓冲胶套	2		6	
18	9GQ0-150600	OUTPUT SEAT, USB	USB输出座组合	1		1	9GQ0-150600-10000
19	6NQ#-040003-6001	RH FRONT INNER PANEL	右前内护板	1		1	6NQ#-040003-6002
20	5HY0-150500-10000	OUTPUT SOCKET, POWER(SUMITOMO PLUG)	电源输出座组合	1		1	6NT1-150500
21	6NQ#-040029-6000-0BM00	FRONT PART, FRONT FENDER(NEBULA BLACK)	前挡泥板前段_星光黑	1		1	
21	6NQ#-040029-6000-0VE00	FRONT PART, FRONT FENDER	前挡泥板前段_星光白	1		1	
21	6NQ#-040029-6000-0EM00	FRONT PART, FRONT FENDER	前挡泥板前段_亚光概念蓝	1		1	
22	6NQ#-000205-6001	MOUNTING SCREW, CHAIN GUARD	链条护卡安装螺钉	6		1	
23	6NQ#-040031-6000	REAR PART, FRONT FENDER	前挡泥板后段	1		1	
24	6NTG-050002	NYLON GASKET Dia 8	尼龙垫圈Φ8	4		2	



F04-4 塑料件4 PLASTICS 4

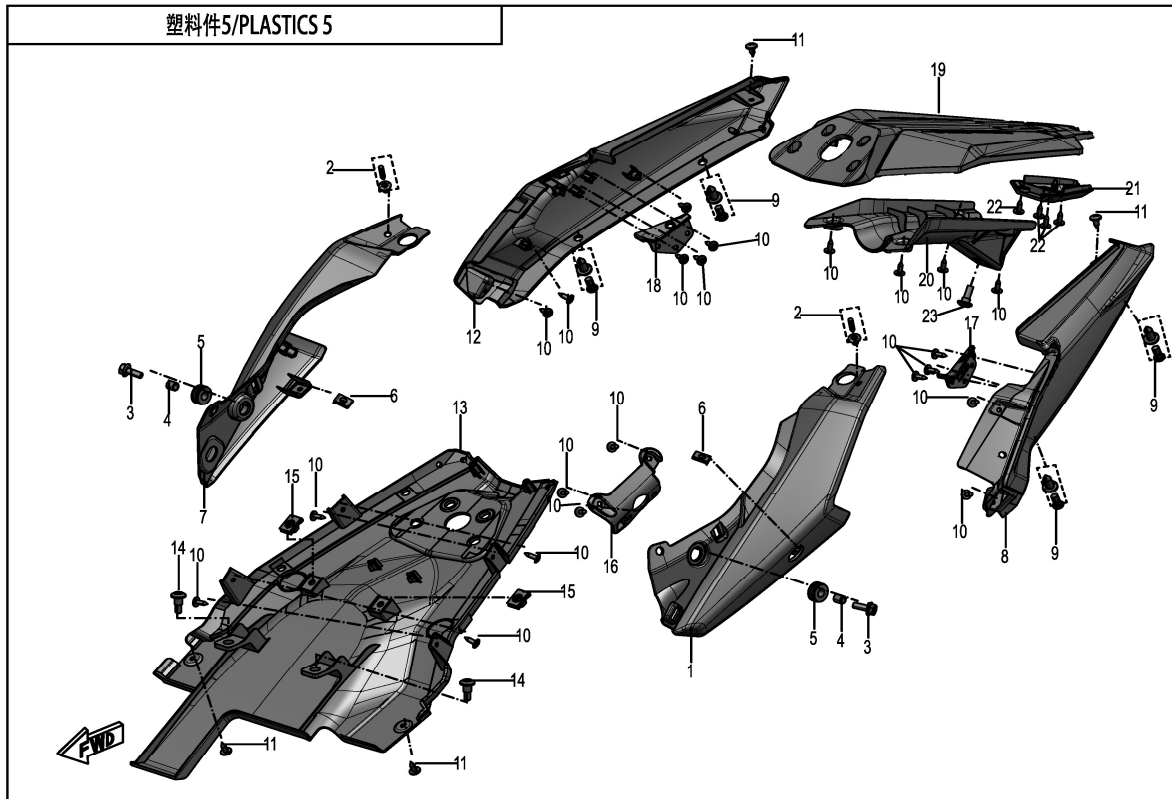
Item No.	Parts Number	Parts Name(EN)	Parts Name(CN)	Qty	Remark(s)	MOQ	Alternative Parts
01	6NQ#-040008-6002	RH FRONT PANEL	右前护板	1		1	6NQ#-040007-6003+6NQ#-040008-6003
01	6NQ#-040008-6003	RH FRONT PANEL	右前护板	1		1	
02	30110-421130010	SELF-TAPPING SCREW ST4.2x13	自攻螺钉	12		6	
03	9060-040310	PLASTIC CLIPS	塑料卡组合	4		6	
04	0180-014010	WIRE CLAMP	线夹组合	2		6	
05	8080-040064	DAMPER, FRONT FENDER	前围缓冲橡胶套	6		1	
06	8010-000003	NUT M6	夹板螺母M6	4		6	8030-040800
07	30006-060020870	BOLT M6x20	螺栓	3		6	
08	6090-040303	BUSHING	衬套	2		6	
09	6090-040302	RUBBER DAMPER	缓冲胶套	2		6	
10	8080-000002	CLIP NUT ST4.8	夹板ST4.8	4		6	
11	30110-420250010	SELF-TAPPING SCREW ST4.2x25	自攻螺钉	3		6	
12	6NQ#-040011-6000	INNER LINER, RH FRONT PANEL	右前护板内衬	1		1	
13	6NQ#-040009-6000	INNER LINER, LH FRONT PANEL	左前护板内衬	1		1	
14	6NQ#-040007-6002	LH FRONT PANEL	左前护板	1		1	6NQ#-040007-6003+6NQ#-040008-6003
14	6NQ#-040007-6003	LH FRONT PANEL	左前护板	1		1	
15	30110-420160010	SELF-TAPPING SCREW ST4.2x16	自攻螺钉	2		6	
16	6NQ#-000102-6000	COVER, SMALL SPROCKET	小链轮护罩	1		1	
17	30006-060030870	BOLT M6x30	螺栓_GB/T5789_M6x30_黑锌	1		6	
18	6NQ#-040044-6000	FAN COVER,RADIATOR	散热器风扇罩	1		1	
19	6NQ#-000203-6001	INNER HEX SCREW M6x20	内六角螺钉M6x20	1		1	
20	9010-120008	SPONGE PAD, FUEL TANK	油箱海绵块	5		6	
21	6NQ#-040032-6000	BATTERY BOX	电池盒	1		1	
22	8010-000004	BOLT M6x14	凸缘螺栓M6x14	2		6	
23	6NQ#-000206-6001	INNER HEX SCREW M6x16	内六角螺钉M6x16	2		1	
24	A000-060002	SCREW, CHAIN GUARD	链条护卡安装螺钉_不锈钢	1		1	





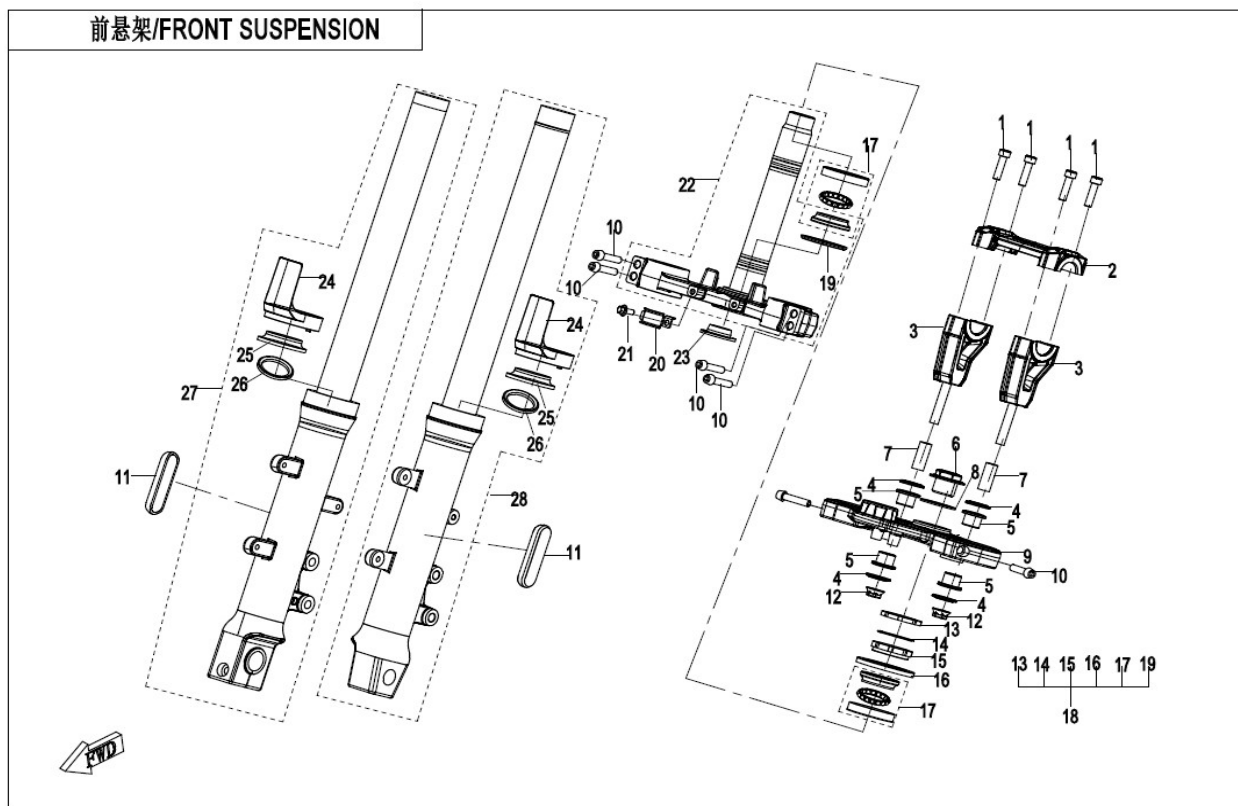
F04-5 塑料件5 PLASTICS 5

Item No.	Parts Number	Parts Name(EN)	Parts Name(CN)	Qty	Remark(s)	MOQ	Alternative Parts
01	6NQ#-040024-6000-0BM00	LH REAR DECO PLATE(PEARL BLACK)	左后装饰板_星光黑	1		1	
01	6NQ#-040024-6000-0EM00	LH REAR DECO PLATE(MATTE CONCEPT BLUE)	左后装饰板_亚光概念蓝	1		1	
01	6NQ#-040024-6000-0VE00	LH REAR DECO PLATE(NEBULA WHITE)	左后装饰板_星光白	1		1	
02	8080-041130	PLASTIC SCREW	塑料膨胀螺钉组合	2		6	
03	30006-060020810	BOLT M6x20	螺栓	2		6	30006-060020870
04	6090-040303	BUSHING	衬套	2		6	
05	6090-040302	RUBBER DAMPER	缓冲胶套	2		6	
06	8080-000002	CLIP NUT ST4.8	夹板ST4.8	2		6	
07	6NQ#-040025-6000-0EM00	RH REAR DECO PLATE(MATTE CONCEPT BLUE)	右后装饰板_亚光概念蓝	1		1	
07	6NQ#-040025-6000-0VE00	RH REAR DECO PLATE(NEBULA WHITE)	右后装饰板_星光白	1		1	
07	6NQ#-040025-6000-0BM00	RH REAR DECO PLATE(NEBULA BLACK)	右后装饰板_星光黑	1		1	
08	6NQ#-040026-6000	LH PANEL, TAIL LIGHT	尾灯左护板	1		1	
09	9060-040310	PLASTIC CLIPS	塑料卡组合	4		6	
10	30110-421130010	SELF-TAPPING SCREW ST4.2x13	自攻螺钉	21		6	
11	30110-481130010	SELF-TAPPING SCREW ST4.8x13	自攻螺钉	4		6	
12	6NQ#-040027-6000	RH PANEL, TAIL LIGHT	尾灯右护板	1		1	
13	6NQ#-040028-6000	REAR BASEPLATE	后底板	1		1	
14	8010-000004	BOLT M6x14	凸缘螺栓M6×14	2		6	
15	8030-040800-00001	NUT CLIP M6	M6螺母夹	2		6	
16	6NQ#-040033-6000	COVER, SEAT LOCK	坐垫锁保护罩	1		1	
17	6NQ#-040045-6000	CONVERTING PLATE, TAIL LIGHT LH PANEL	尾灯左护板转接板	1		1	
18	6NQ#-040046-6000	CONVERTING PLATE, TAIL LIGHT RH PANEL	尾灯右护板转接板	1		1	
19	6NT1-043301	REAR FENDER	后泥板	1		1	
20	6NT1-043301	INNER BUSHING, REAR FENDER	后泥板内衬	1		1	
21	6KJ0-042701	HOLDER, REAR LICENCE LIGHT	后牌照灯固定板	1		1	
22	30110-420095010	SELF-TAPPING SCREW ST4.2x9.5	自攻螺钉	4		6	
23	6NQ#-000205-6001	MOUNTING SCREW, CHAIN GUARD	链条护卡安装螺钉	1		1	



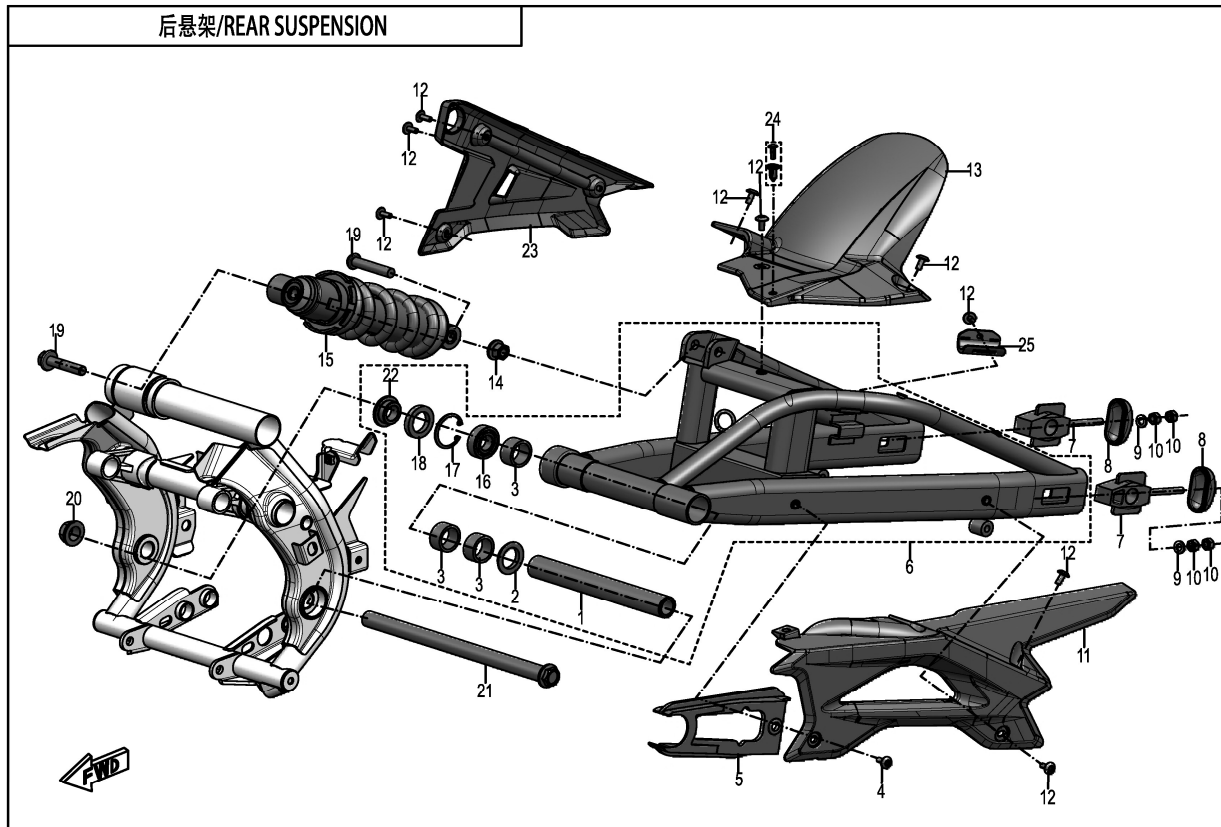
### F05 前悬架 FRONT SUSPENSION

Item No.	Parts Number	Parts Name(EN)	Parts Name(CN)	Qty	Remark(s)	MOQ	Alternative Parts
01	30102-080030860	INNER HEX SCREW M8x30	螺钉	4		6	
02	6NQ#-050002-6000-0H300	HANDLEBAR COVER(SILVER BLACK)	方向把压盖_平光黑银	1		1	
03	6NQ#-050010-6000-0H300	HOLDER, HANDLEBAR(SILVER BLACK)	方向把支座组件_平光黑银	2		1	
04	6KJ0-050005	WASHER	垫圈	4		1	
05	6KJ0-050004	DAMPER RUBBER, UPPER TRIPLE CLAMP	上连板缓冲橡胶	4		4	
06	6NTA-050003	LOCK SCREW, UPPER TRIPLE CLAMP	上连板紧固螺钉	1		1	
07	6KJ0-050006	LINER, UPPER TRIPLE CLAMP	上连板衬管	2		1	6KJ0-050006-00001
07	6KJ0-050006-00001	LINER, UPPER TRIPLE CLAMP	上连板衬管	2		1	
08	A000-050004	WASHER 5	垫圈_达克罗	1		1	
09	6NQ0-050001-0B200	UPPER TRIPLE CLAMP(MATTE BLACK)	上连板_亚光黑	1		1	
10	A000-050018	INNER HEX SCREW M8x35	内六角圆锥头螺钉_M8x35_达克罗_10.9级	6		6	
11	6KJ0-050030	SIDE REFLECTOR	侧反射器	2		1	
12	30204-102810	NUT M10x1.25	螺母	2		6	
13	A000-050006	LOCK NUT 1	锁紧螺母 I_军绿	1		1	
14	A000-050008	WASHER 5	垫圈_军绿	1		1	
15	A000-050007	LOCK NUT 2	锁紧螺母 II_军绿	1		1	
16	A000-050009	DUST CAP, UPPER RETAINER	上挡圈防尘盖	1		1	
17	A000-050100	STEERING BEARING ASSY	转向轴承组合	2		1	
18	A000-0501A0	STEERING BEARING ASSY	转向轴承组合	1		1	
19	A000-050400	ANTI-DUST CAP, LOWER RETAINING RING	下挡圈防尘盖组件	1		1	
20	6NQ#-050003-6000	LIMIT CLASP, FRONT BRAKE FLUID HOSE	前碟刹油管限位夹	1		1	
21	30006-060012810	BOLT M6x12	螺栓	1		6	30006-060012870
22	A000-0503A0	LOWER TRIPLE CLAMP	下连板组件	1		1	
23	A000-050011	RUBBER PLUG 2	橡胶塞 II	1		1	
24	A000-050501	GUARD	防护罩	2		1	
25	A000-050510	DUST COVER, FRONT SHOCK ABSORBER	前减震器防尘罩	2		1	
26	A000-050520	OIL SEAL, FRONT SHOCK ABSORBER	前减震器油封	2		1	
27	6NT#-050600-9000	FRONT SHOCK ABSORBER, RH	前右减震器	1		1	6NT#-050600-9001
28	6NT#-050500-9000	FRONT SHOCK ABSORBER, LH	前左减震器	1		1	6NT#-050500-9001



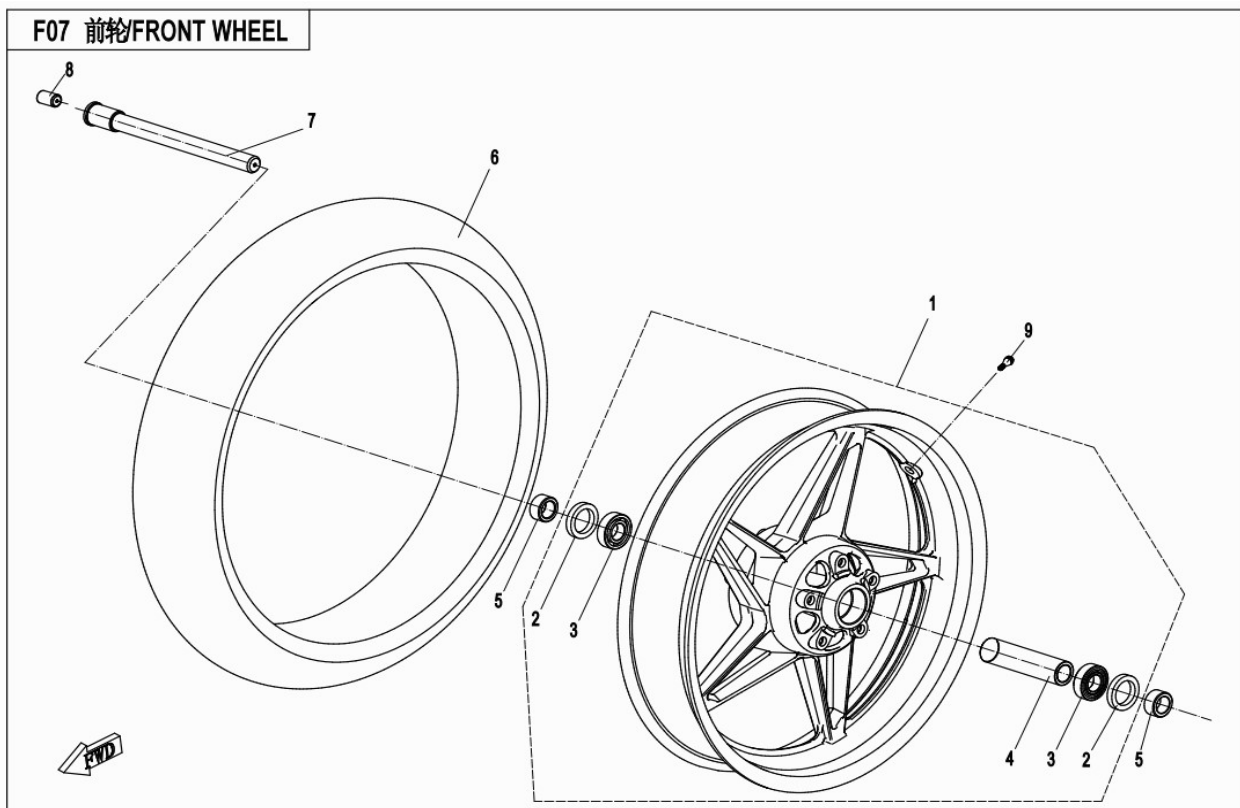
### F06 后悬架 REAR SUSPENSION

Item No.	Parts Number	Parts Name(EN)	Parts Name(CN)	Qty	Remark(s)	MOQ	Alternative Parts
01	A000-060005	SLEEVE, REAR SWING ARM	后悬架内衬管	1		1	
02	A000-060006	ANTI-DUST RING	防尘圈	1		1	
03	30403-02800	NEEDLE BEARING HK28x35x16	滚针轴承_GB/T290_HK283516	3		1	
04	6NQ#-000205-6001	MOUNTING SCREW, CHAIN GUARD	链条护卡安装螺钉	1		1	
05	A000-060001	CHAIN GUARD	链条护卡	1		1	
06	6NQ0-0603A0-0BB00	REAR SWING ARM ASSY(PLASTIC POWDER)	后悬架组件	1		1	
07	A000-060210	ADJUSTER, CHAIN	链条调节器	2		1	
08	A000-060201-0BB0	CAP, CHAIN ADJUSTER(PLASTIC POWDER)	链条调节器挡板_砂纹塑粉	2		1	
09	30306-080112	WASHER 8	垫圈	2		6	
10	30200-080810	NUT M8	螺母	4		6	
11	6NTG-060008-10000	LH PANEL, REAR FORK	后悬架左护板	1		1	
12	6NQ#-000206-6001	INNER HEX SCREW M6x16	内六角螺钉M6×16	9		1	
13	6NQ0-060011-10000	UPPER PANEL, REAR FORK	后悬架上护板	1		1	
14	30204-122810	NUT M12x1.25	螺母	1		6	
15	6NT#-060100-9000-10	REAR SHOCK ABSORBER(WHITE)	后减震器	1		1	6NT#-060100-9001-10
15	6NT#-060100-9000-11	REAR SHOCK ABSORBER(CORAL BLUE)	后减震器	1		1	6NT#-060100-9001-11
16	30400-02004	BEARING(6004-2RZ)	滚动轴承_GB/T276_6004-2RZ	1		1	
17	30800-04205	CIRCLIP FOR HOLE 42 A-TYPE	孔用弹性挡圈42_GB/T893.1_42_黑色氧化	1		6	
18	30500-030800N	OIL SEAL FB30x42x 7	油封_GB13871_FB30×42×_7	1		1	
19	A000-060011	HEX FLANGE BOLT	六角法兰面螺栓	2		2	
20	A000-060004	NUT M20x1.5	螺母_M20×1.5军绿_性能等级9级	1		1	
21	A000-060003	SHAFT, REAR FORK	后叉轴	1		1	
22	A000-060007	RH BUSHING, REAR SWING ARM	后悬架右衬套	1		1	
23	6NTG-060009-10000	RH PANEL, REAR FORK	后悬架右护板	1		1	
24	9060-040310	PLASTIC CLIPS	塑料卡组合	1		6	
25	6NQ0-060012	PROTECTING MAT, REAR SWING ARM	后悬架护管垫	1		1	



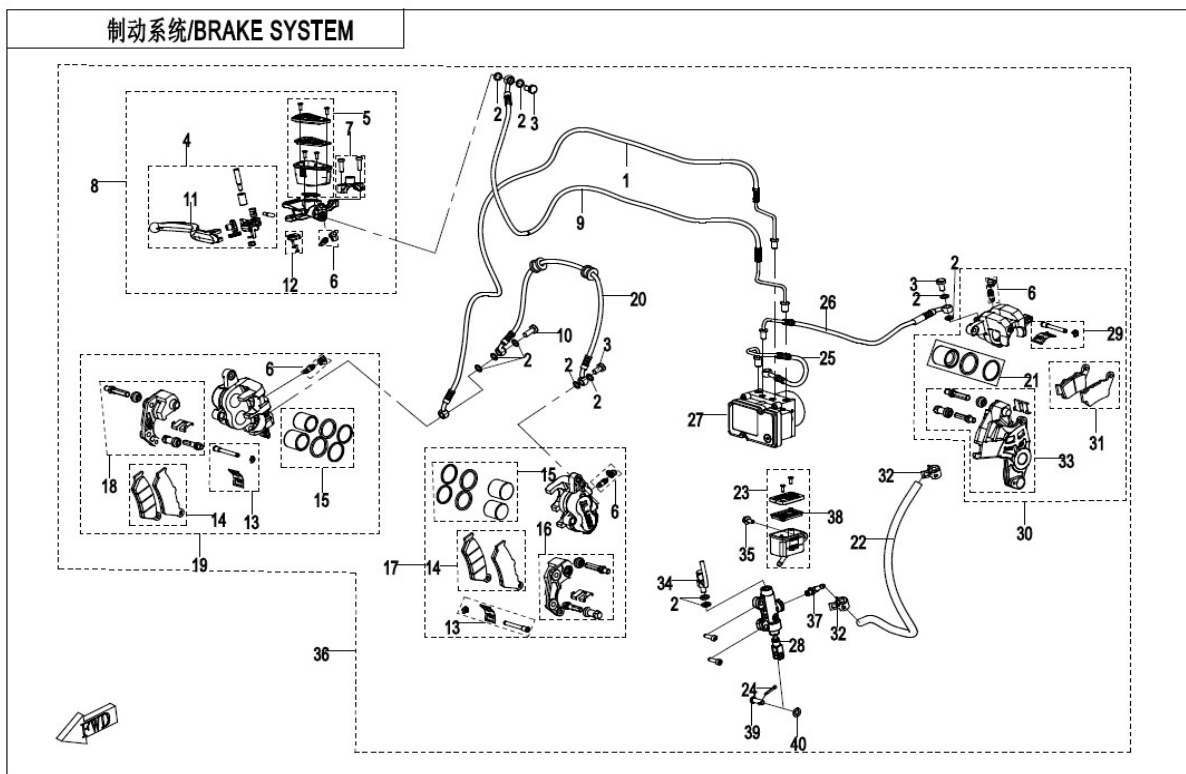
F07-A 前轮 (轮辋-亚光黑-象牌轮胎) FRONT WHEEL (RIM-MATTE BLACK-METZELER)

Item No.	Parts Number	Parts Name(EN)	Parts Name(CN)	Qty	Remark(s)	MOQ	Alternative Parts
01	6NTG-070100-1B200	FRONT RIM ASSY(MATTE BLACK)	前轮辋组合_亚光黑	1		1	
02	30501-030800N	OIL SEAL FB30x42x7	油封_GB9877.1_FB30x42x7	2		1	
03	30400-02003	BEARING 6004-2RS	滚动轴承 GB276 6004-2RS	2		1	
04	A000-070004	MIDDLE BUSHING, FRONT RIM	前轮辋中隔套	1		1	
05	A000-070002	BUSHING, FRONT AXLE	前轮轴衬套	2		1	
06	30705-1719	TIRE GB/T2983 120/70ZR17M/C(58W), METZELER, WITH 3C, DOT, E-mark	轮胎_120/70ZR17M/C_58W_象牌	1	HIGH (NGEL)	1	
07	A000-070001	AXLE, FRONT WHEEL WITH KYB SHOCK ABSORBER	前轮轴	1		1	
08	A000-050016	RUBBER PLUG, FRONT WHEEL AXLE	前轮轴橡胶塞	1		1	
09	5190-070030-1000	VALVE, INFLATION	气门嘴	1		1	



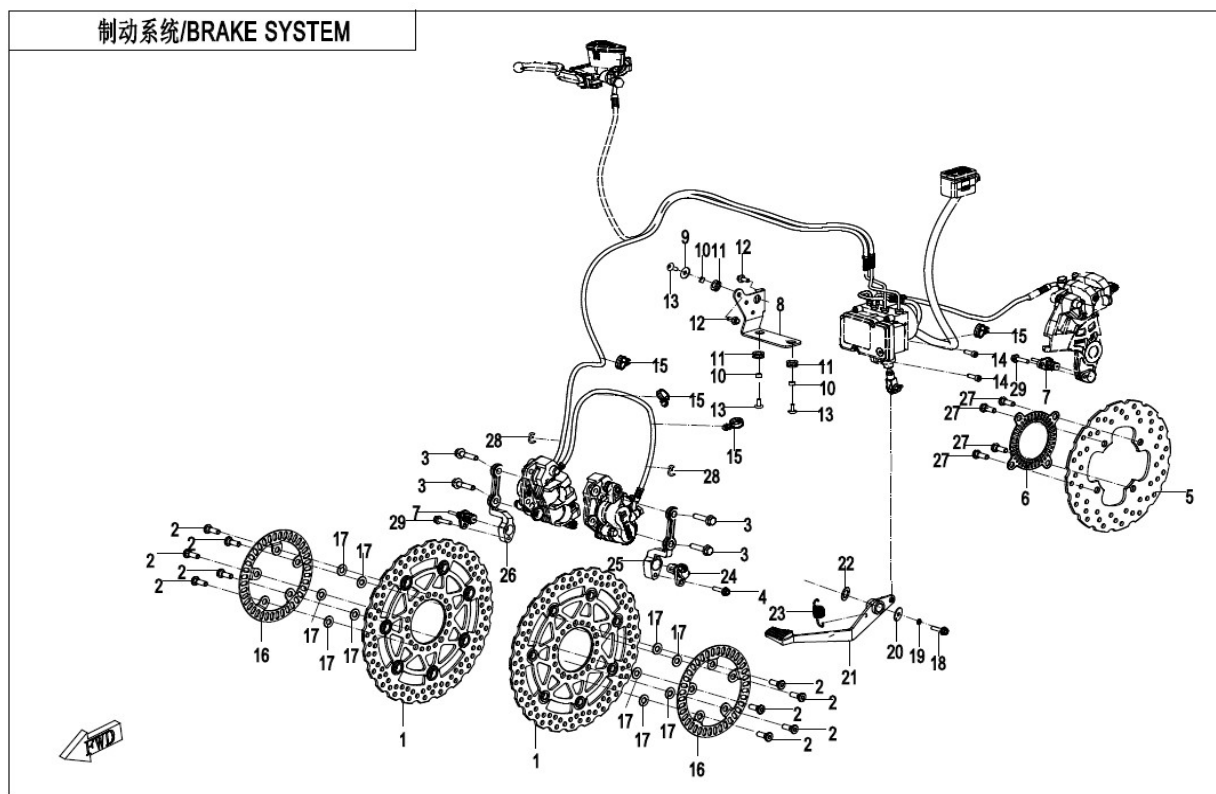
### F08-1 制动系统 BRAKE SYSTEM

Item No.	Parts Number	Parts Name(EN)	Parts Name(CN)	Qty	Remark(s)	MOQ	Alternative Parts
01	6NQ0-081010-10000	OIL OUTLET PIPE, FRONT BRAKE	前制动出油管	1		1	
02	A000-080102-2000	WASHER	垫圈_2014款	11		6	
03	A000-080101-2000	BANJO BOLT	过油螺栓 I_2014款	3		6	
04	A000-0801J0	FRONT BRAKE LEVER	前制动手柄组合	1		1	
05	A000-0801N0	FLUID RESERVOIR, FRONT BRAKE	前制动主泵油杯组合	1		1	
06	A000-0801W0	BOLT PLUG, OIL DRAIN	放油螺塞组合	3		1	
07	A000-0801M0	HALF-COVER, FRONT BRAKE PUMP	前制动主泵半盖组合	1		1	
08	A000-080110-2000	MASTER CYLINDER, FRONT BRAKE	前制动泵组合_2014款	1		1	
09	6NQ0-081020-10000	FLUID INLET PIPE, FRONT BRAKE	前制动进油管	1		1	
10	A000-080103-2000	BANJO BOLT 2	过油螺栓 II_2014款	1		6	
11	A000-080131-2000	LEVER	手柄	1		1	A000-0801J0
12	A000-0801L0	SWITCH, FRONT BRAKE	前制动开关组合	1		1	
13	A000-0801H0	GUIDE ROD, FRONT BRAKE CALIPER	前制动钳导杆组合	2		1	
14	6NQ#-0811A0-6000	FRONT BRAKE PAD	前制动片组件	2		1	
14	A000-0801C0	PAD, FRONT BRAKE	前制动蹄片组合_2014款	2		1	
15	A000-0801F0	PISTON, FRONT BRAKE CALIPER	前制动钳活塞组合	2		1	
16	A000-0801E0	BRACKET, FRONT LH BRAKE CALIPER	前左制动钳安装支架组合	1		1	
17	6NQ#-081100-6000	FRONT BRAKE CALIPER ASSY, LH	左制动卡钳组合	1		1	
17	A000-080150-2000	FRONT BRAKE CALIPER, LH	前左制动钳组合_2014款	1		1	
18	A000-0801G0	BRACKET, FRONT BRAKE CALIPER(RH)	前右制动钳安装支架组合	1		1	
19	6NQ#-081200-6000	FRONT BRAKE CALIPER ASSY, RH	前右制动卡钳组合	1		1	
19	A000-080170-2000	FRONT BRAKE CALIPER, RH	前右制动钳组合_2014款	1		1	
20	6NQ#-081040-6000	LOWER FLUID HOSE, FRONT BRAKE	前制动下油管组合	1		1	
21	A000-0802E0	PISTON, REAR BRAKE CALIPER	后制动钳活塞组合	1		1	
22	6NQ#-0810A0-6000-30	HOSE ASSY, REAR BRAKE MASTER CYLINDER	后制动主泵油管组件	1		1	
23	A000-0802C0	FLUID RESERVOIR, REAR BRAKE PUMP	后制动主泵油杯组合	1		1	
24	A000-080233-2000	PIN	销	1		1	
25	A000-081020	OUTLET PIPE, REAR BRAKE	后制动出油管	1		1	
26	6NQ0-081040-10000	INLET PIPE, REAR BRAKE	后制动进油管	1		1	
27	A000-081400	MAB	MAB	1		1	
28	6NQ#-0810A0-6000-20	REAR BRAKE MASTER CYLINDER ASSY	后制动主泵体组件	1		1	
29	A000-0802H0	GUIDE ROD, REAR BRAKE CALIPER	后制动钳导杆组合	1		1	
30	6NTG-081060	REAR BRAKE CALIPER	后制动钳组合	1		1	
30	6NQ#-081300-6000	REAR BRAKE CALIPER ASSY	后制动卡钳组合	1		1	
31	A000-0801D0	REAR BRAKE PAD	后制动蹄片组合_2014款	1		1	
31	6NQ#-0813A0-6000	REAR BRAKE PAD ASSY	后制动片组件	1		1	A000-0801D0
32	A000-080213-2000	CLIP	油管夹	1		1	
33	A000-0802D0-10000	BRACKET, REAR BRAKE CALIPER	后制动钳安装支架组合_2015款ABS版状态	1		1	
34	6NQ#-081070-6000-M1	REAR BRAKE LIGHT SWITCH	后制动灯开关	1		1	
35	30006-060012810	BOLT M6x12	螺栓	1		6	30006-060012870
36	6NQ#-081000-6000-M1	ABS BRAKE ASSY	ABS制动器组合	1		1	6NQ#-081000-6001-M1
36	6NQ#-081000-6001-M1	ABS BRAKE ASSY.	ABS制动器组合	1		1	
37	A000-080224-2000	FLUID NOZZLE	出油嘴	1		1	
38	A000-080232-2000	SEAL RING, FLUID RESERVOIR	油杯密封圈	1		1	
39	A000-080216-2000	PIN SHAFT	销轴	1		1	
40	A000-080234-2000	WASHER 8	垫圈8	1		1	



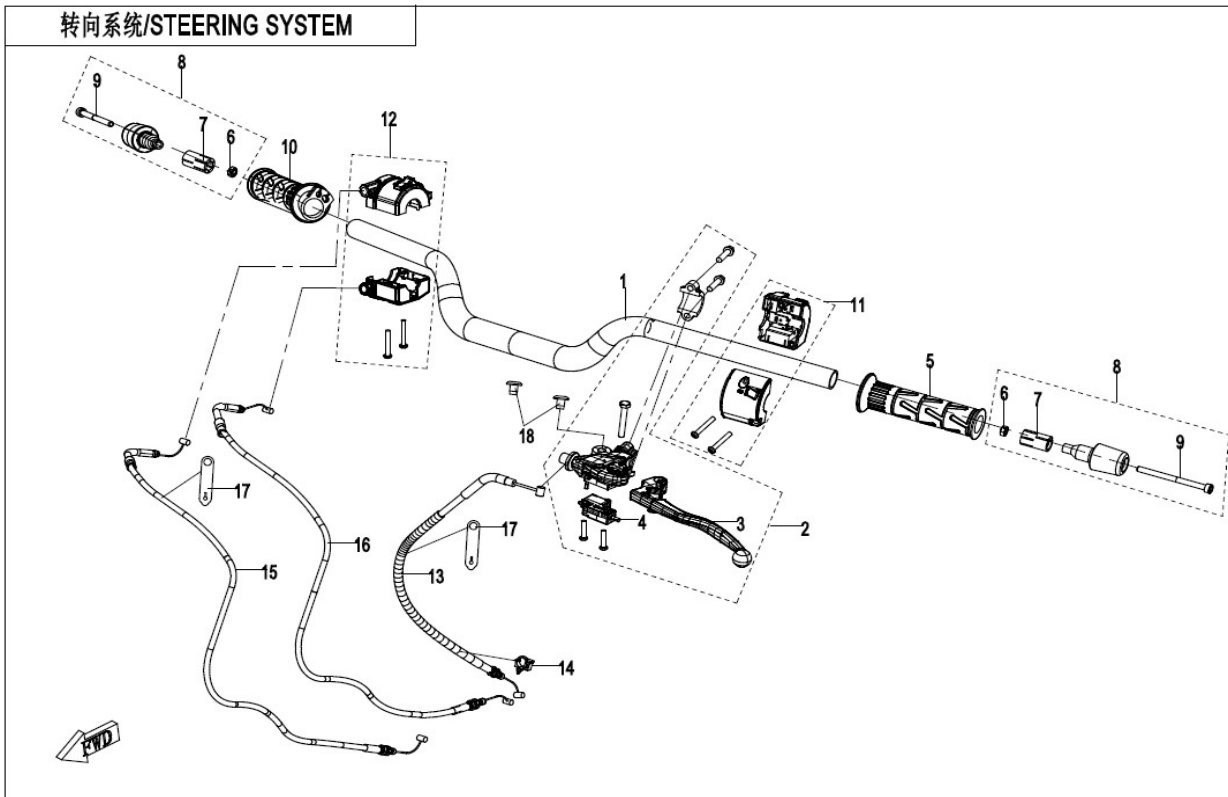
### F08-2 制动系统 BRAKE SYSTEM

Item No.	Parts Number	Parts Name(EN)	Parts Name(CN)	Qty	Remark(s)	MOQ	Alternative Parts
01	A000-080010	FRONT BRAKE DISC	前制动盘组合	2		1	
02	A000-080003-10000	BOLT, BRAKE DISC	制动盘螺栓	10		6	
03	30006-102055870	BOLT M10x1.25x55	螺栓_GB/T5789_M10×1.25×55_黑锌	4		1	
04	30006-060012810	BOLT M6x12	螺栓	1		6	30006-060012870
05	6NTG-080002-30000	REAR BRAKE DISC	后制动盘	1		1	
06	6NTG-080009	REAR GEAR RING	后齿圈	1		1	
07	6NTG-081500	WHEEL SPEED SENSOR	轮速传感器	2		1	
08	6NT1-030180	BRACKET ASSY, ABS CONTROLLER	ABS控制器安装支架组合	1		1	
09	30305-060112	WASHER 6	垫圈	1		6	
10	A000-050014	BUSHING	衬套_军绿	3		1	
11	A000-050013	RUBBER MAT	胶垫	3		1	
12	30006-060025810	BOLT M6x25	螺栓	2		6	
13	A000-040702	INNER HEX SCREW M6x12	内六角螺钉M6×12	3		6	6KM#-040702-8000
14	30006-080025860	BOLT M8x25	螺栓_GB/T5789_M8×25_达克罗	2		1	
15	A000-050015	WIRE CLIP, FRONT BRAKE FLUID HOSE	前制动油管夹	4		1	
16	6NTG-080008-10000	FRONT GEAR RING	前齿圈	2		1	
17	A000-080008-10000	WASHER, FRONT GEAR RING	前齿圈垫片	10		1	
18	30006-060016810	BOLT M6x16	螺栓	1		6	30006-060016870
19	30303-060112	WASHER 6	垫圈	1		6	
20	A000-080006	GASKET I 7x24x1.6	垫片 I 7×24×1.6_性能等级100HV	1		1	A000-080006-10000
21	6NQ0-080304-1H300	PEDAL, REAR BRAKE(SILVER BLACK)	后制动踏板_平光黑银	1		1	
22	A000-080007	GASKET II 15x24x1	垫片 II 15×24×1_性能等级100HV	1		1	A000-080007-10000
23	6NTG-080005	RETURN SPRING	回位弹簧	1		1	
24	6KJ0-150400	SPEED SENSOR	车速传感器	1		1	
25	6NQ0-050017	LH SEAT, SENSOR	传感器左安装座_亚光黑	1		1	
26	6NQ0-050018	RH SEAT, SENSOR	传感器右安装座_亚光黑	1		1	
27	A000-080001	SCREW	螺钉	4		1	
28	6KJ0-080003-00001	CLIP, BRAKE HOSE	制动油管卡	2		1	
29	30006-060012870	BOLT M6x12	螺栓	2		1	



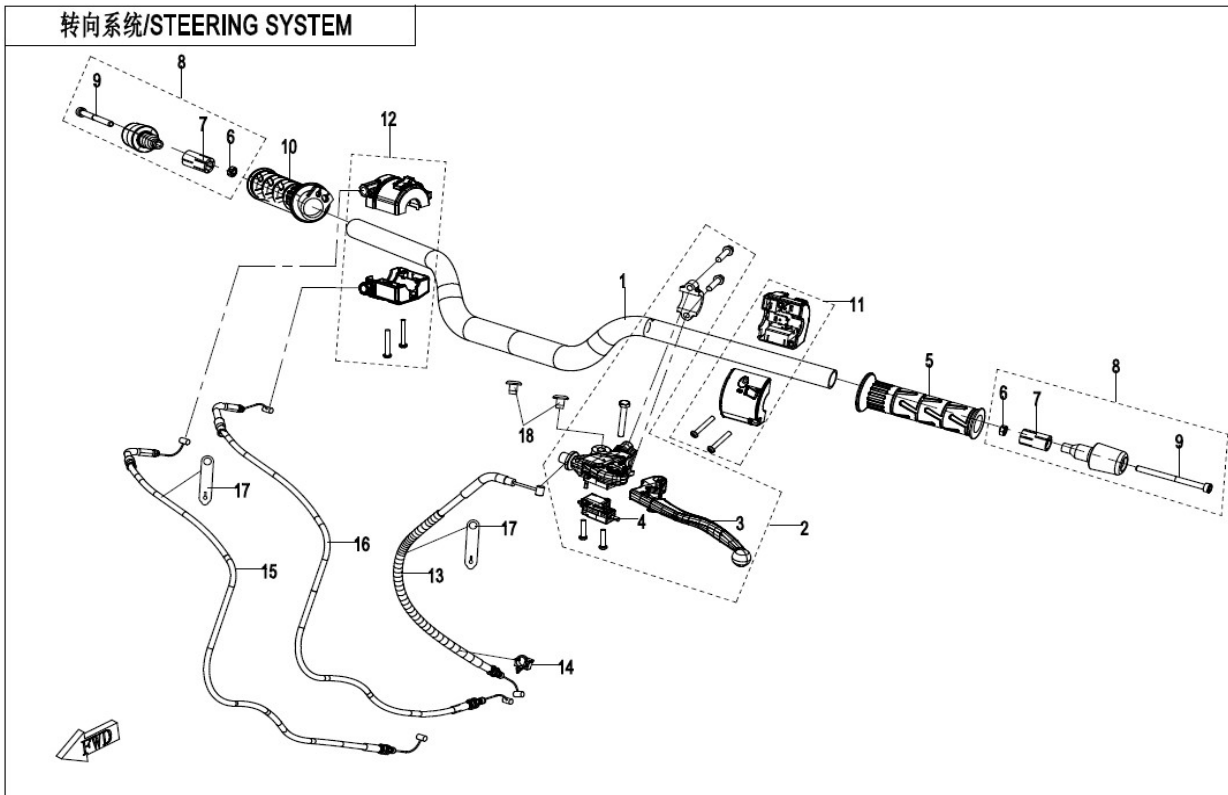
### F10-A 转向系统 STEERING SYSTEM

Item No.	Parts Number	Parts Name(EN)	Parts Name(CN)	Qty	Remark(s)	MOQ	Alternative Parts
01	6NQ#-100100-6001	HANDLEBAR PIPE	方向把管	1		1	
02	A000-100200-10000	CLUTCH LEVER, LH	左离合器扎把	1		1	
03	A000-100205	LH LEVER	左手柄	1		1	
04	A000-100220	SWITCH ASSY	开关组合	1		1	
05	A000-100001-10000	LH HAND GRIP	左握把	1		1	
06	30202-060170	NUT M6	螺母_GB/T6177_M6_镀黑锌	2		1	
07	8060-100109	TENSIONER TOOL	胀紧块	2		1	
08	6KJ0-100010	BALANCER	平衡块组件	2		1	
09	30102-060075870	SCREW M6x75	螺钉_GB/T70.1_M6x75_镀黑锌	2		1	
10	A000-100010-10000	RH HAND GRIP ASSY	右握把组件	1		1	A000-100010-20000
11	6NQ#-166000-6001	LH HANDLEBAR SWITCH ASSY.	左手把开关总成	1		1	
12	6NT#-167000-9000	RH HANDLEBAR SWITCH ASSY	右手把开关总成	1		1	
13	A000-100600-00001	CLUTCH CABLE	离合器拉索	1		1	A000-100600
14	A000-100002	CLIP, CLUTCH CABLE	离合器拉索线夹	1		1	
15	6NQ#-100400-6002	THROTTLE CABLE 1	油门拉索I	1		1	
16	6NQ#-100500-6001	THROTTLE CABLE 2	油门拉索II	1		1	
17	6KJ0-100002	TIE BAND, CLUTCH	离合器拉索绑带	2		1	
18	A010-100208-00001	RUBBER PLUG, CLUTCH LEVER	前离合器手柄胶塞	2		1	6KM#-100002-8000
18	6KM#-100002-8000	RUBBER PLUG, CLUTCH LEVER	离合器手柄胶塞	2		1	



### F10-B 转向系统 STEERING SYSTEM

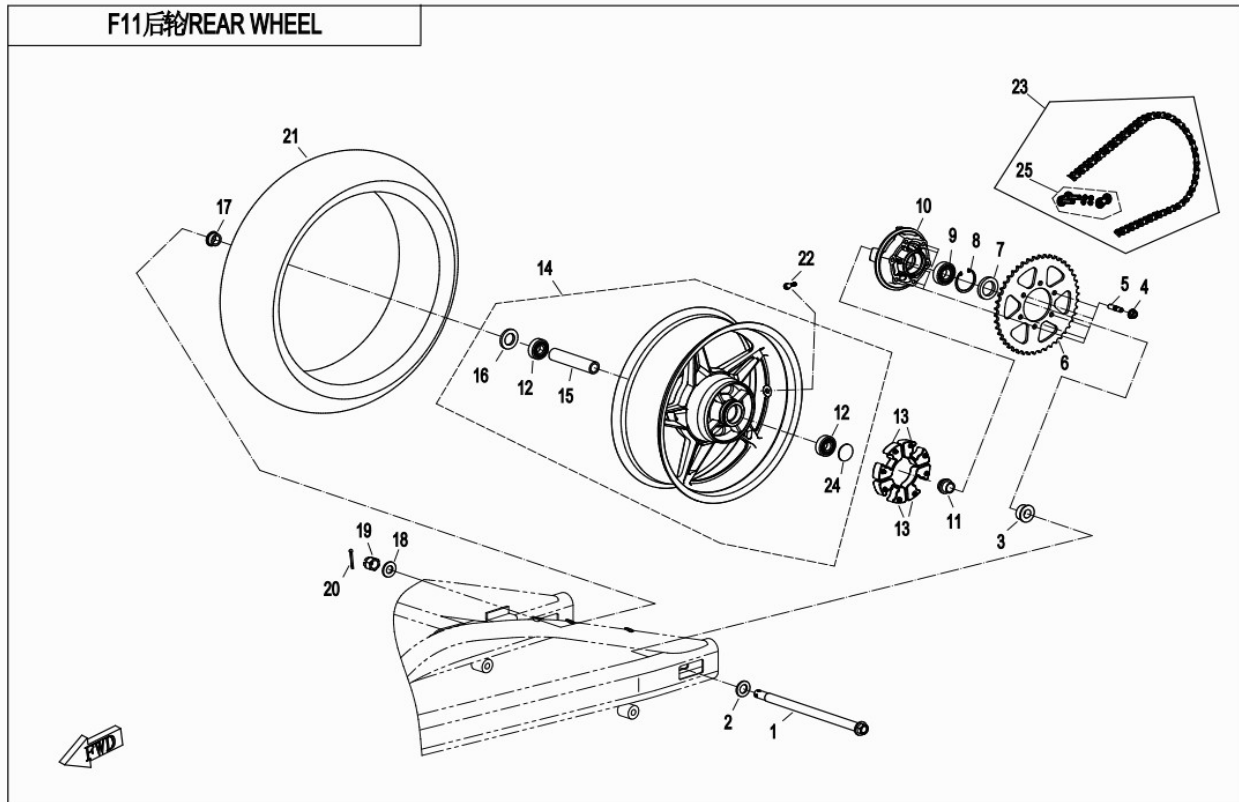
Item No.	Parts Number	Parts Name(EN)	Parts Name(CN)	Qty	Remark(s)	MOQ	Alternative Parts
01	6NQ#-100100-6001	HANDLEBAR PIPE	方向把管	1		1	
02	6NQ#-100200-6001	CLUTCH LEVER, LH	左离合手柄组合	1		1	6NQ#-100200-6002
05	A000-100001-10000	LH HAND GRIP	左握把	1		1	
06	30202-060170	NUT M6	螺母_GB/T6177_M6_镀黑锌	2		1	
07	8060-100109	TENSIONER TOOL	胀紧块	2		1	
08	6KJ0-100010	BALANCER	平衡块组件	2		1	
09	30102-060075870	SCREW M6x75	螺钉_GB/T70.1_M6x75_镀黑锌	2		1	
10	A000-100010-10000	RH HAND GRIP ASSY	右握把组件	1		1	A000-100010-20000
11	6NQ#-166000-6000	HANDLEBAR SWITCH, LH	左手把开关总成	1		1	6NQ#-166000-6001
12	6NQ#-167000-6001	RH HANDLEBAR SWITCH ASSY	右手把开关总成	1		1	
13	A000-100600-00001	CLUTCH CABLE	离合器拉索	1		1	A000-100600
14	A000-100002	CLIP, CLUTCH CABLE	离合器拉索线夹	1		1	
15	6NQ#-100400-6002	THROTTLE CABLE 1	油门拉索I	1		1	
16	6NQ#-100500-6001	THROTTLE CABLE 2	油门拉索II	1		1	
17	6KJ0-100002	TIE BAND, CLUTCH	离合器拉索绑带	2		1	
18	A010-100208-00001	RUBBER PLUG, CLUTCH LEVER	前离合手柄胶塞	2		1	6KM#-100002-8000
18	6KM#-100002-8000	RUBBER PLUG, CLUTCH LEVER	离合手柄胶塞	2		1	





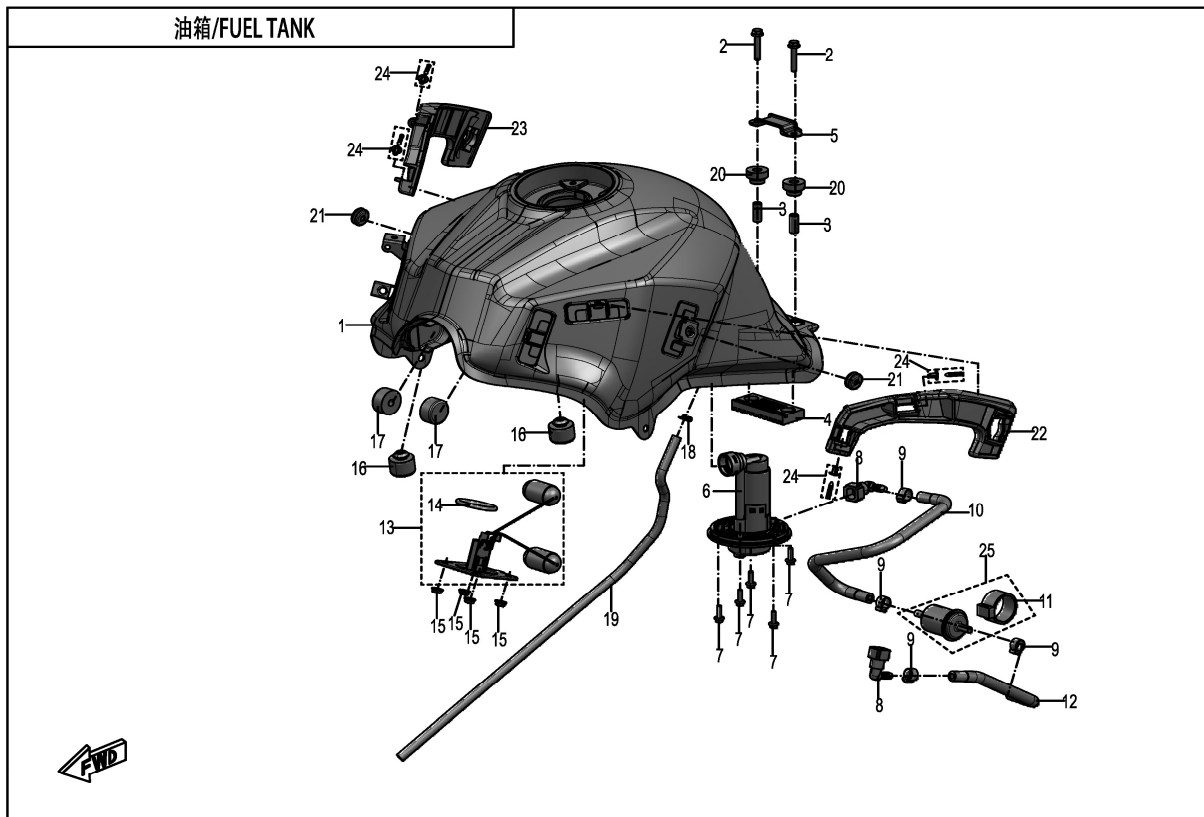
F11-A 后轮 (轮辋-亚光黑-象牌轮胎) REAR WHEEL (RIM-MATTE BLACK-METZELER)

Item No.	Parts Number	Parts Name(EN)	Parts Name(CN)	Qty	Remark(s)	MOQ	Alternative Parts
01	A000-110001	SHAFT, REAR WHEEL	后轮轴	1		1	
02	30306-200112	WASHER	垫圈	1		6	
03	A000-110002	LH SHAFT SLEEVE, REAR WHEEL	后轮左轴套	1		1	
04	30204-102810	NUT M10x1.25	螺母	6		6	
05	30020-102025410	STUD AM10x1.25x25	螺栓_GB/T899_AM10x1.25x25_三价铬	6		6	
06	A000-110004	REAR SPROCKET	后链轮	1		1	A000-110004-10000
07	30501-035800N	OIL SEAL FB35x52x8V	油封_GB9877.1_FB35x52x8	1		1	
08	30800-05205	CIRCLIP FOR HOLE 52	孔用弹性挡圈	1		6	
09	30400-02503	BEARING 6205-2RS	滚动轴承	1		1	
10	A000-110006-0B20	SEAT, SPROCKET(MATTE BLACK)	链轮座 亚光黑	1		1	
11	A000-110005	COLLAR, SPROCKET SEAT	链轮座轴套	1		1	
12	30400-02001	BEARING 6204-RS	滚动轴承_GB276 6204-RS	2		1	
13	A000-110007	DAMPER, SPROCKET SEAT	链轮座缓冲胶块	4		1	
14	6NT1-110200-1B200	REAR RIM ASSY(MATTE BLACK)	后轮辋组合	1		1	
15	A000-110008	CENTER SPACER, REAR RIM	后轮辋中隔套	1		1	
16	A000-110201	OIL SEAL	油封	1		1	
17	6NT1-110003	WASHER, REAR WHEEL AXLE	后轮右轴套	1		1	
18	A000-110009	WASHER 18, REAR WHEEL AXLE	后轮轴平垫18_军绿	1		1	
19	A000-110011	NUT, REAR WHEEL	后轮轴螺母	1		1	
20	30903-0403540	COTTER PIN 4.0x35	开口销_GB/T91_4.0x35_军绿	1		1	30903-0403510
21	30705-1720	TIRE 160/60ZR17M/C(69W)METZELER, ENVIRONMENTAL MERIDIAN VACUUM TIRE	轮胎_160/60ZR17M/C_69W_象牌	1	HIGH (NGEL)	1	
22	5190-070030-1000	VALVE, INFLATION	气门嘴	1		1	
23	3120901	CHAIN 10MAX114	链条_GB/T14212_10MAx114_日本RC	1		1	
24	30503-060000N	O-RING 60x3.55	O形圈_JB/T7757.2 60x3.55	1		2	
25	A000-110310	RIVETED BUCKLE, CHAIN	链条铆接扣	1		1	



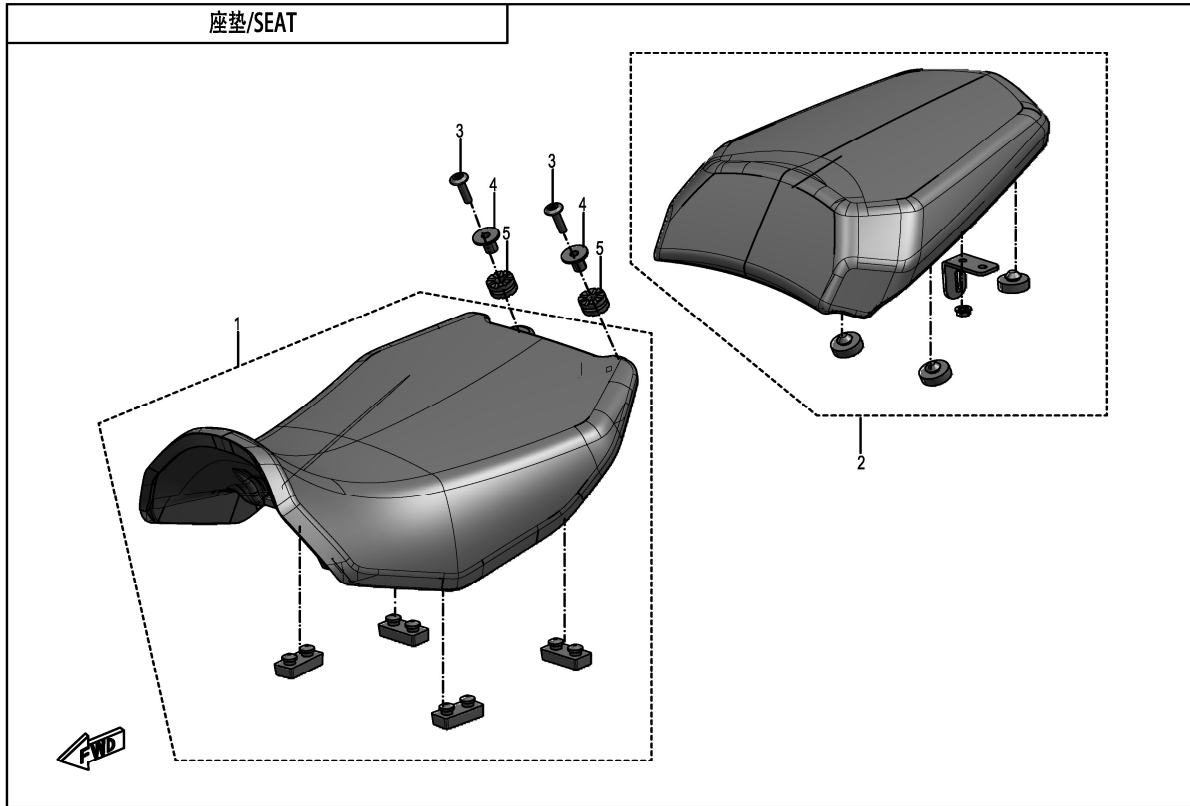
### F12 油箱 FUEL TANK

Item No.	Parts Number	Parts Name(EN)	Parts Name(CN)	Qty	Remark(s)	MOQ	Alternative Parts
01	6NQ#-121000-6001-0EM00	FUEL TANK(MATTE CONCEPT BLUE)	油箱焊接组合_亚光概念蓝	1		1	
01	6NQ#-121000-6001-0VE00	FUEL TANK(NEBULA WHITE)	油箱焊接组合_星光白	1		1	
01	6NQ#-121000-6001-0BM00	FUEL TANK ASSY(NEBULA BLACK)	油箱焊接组件_星光黑	1		1	
02	30006-060040870	BOLT M6x40	螺栓_GB/T5789_M6x40_黑锌	2		1	
03	6NQ#-120002-6000	MOUNTING BUSHING	安装衬套	2		1	
04	6NQ#-120003-6000	RUBBER DAMPER BLOCK	缓冲橡胶垫块	1		1	
05	6NQ#-120001-6000	SEAT HOOK	座垫挂钩	1		1	
06	6KJ0-150900-10000	FUEL PUMP	油泵总成	1		1	
07	30006-050020810	BOLT M5x20	螺栓	5		6	
08	6090-120210	QUICK JOINT	快速接头	2		1	
09	6070-120400	CLAMP Dia 14.5A	无级环箍 (Φ14.5)	4		6	
10	6NQ#-120010-6000	HIGH-PRESSURE FUEL HOSE ASSY	高压油管组合	1		1	
12	A000-120220-10000	HIGH-PRESSURE FUEL HOSE ASSY 2	高压油管组合II	1		1	
13	A000-170200-10000	FUEL LEVEL SENSOR	油位传感器组合	1		1	
14	A000-170201	SEAL RING	密封胶圈	1		2	
15	30202-060110	NUT M6	螺母	4		6	30204-060810
16	A000-120001	RUBBER SUPPORT	前支撑胶套	2		1	
17	A000-120006	CUSHION MAT, FRONT FUEL TANK	油箱前侧缓冲垫	2		1	
18	30601-111010	CLAMP A11	环箍A11	1		6	
19	9CR6-120001	BREATHER HOSE, FUEL TANK	油箱通气管	1		1	
20	6NQ#-120004-6000	CUSHION RUBBER WAHSER	缓冲橡胶垫	2		1	
21	A000-040302	RUBBER DAMPER	油箱外护罩缓冲橡胶	2		1	
22	6NQ#-040048-6000	LH RUBBER CUSHION, FUEL TANK	油箱左缓冲胶垫	1		1	
23	6NQ#-040049-6000	RH RUBBER CUSHION, FUEL TANK	油箱右缓冲胶垫	1		1	
24	8080-041130	PLASTIC SCREW	塑料膨胀螺钉组合	4		6	
25	6090-120220	FUEL FILTER ASSY, EFI	电喷燃油滤清器组合	1		1	



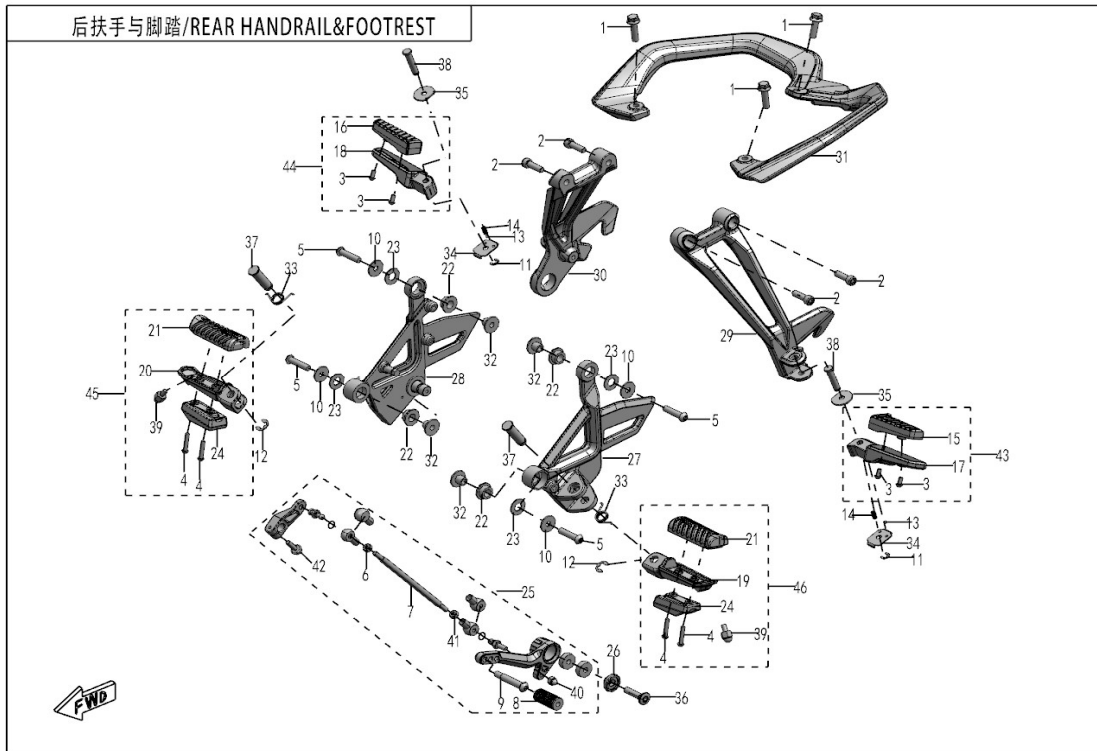
### F13 座垫 SEAT

Item No.	Parts Number	Parts Name(EN)	Parts Name(CN)	Qty	Remark(s)	MOQ	Alternative Parts
01	6NQ#-131000-6000	FRONT SEAT ASSY	前座垫组合	1		1	
02	6NQ#-132000-6000	REAR SEAT ASSY	后座垫组合	1		1	
03	6NQ#-000203-6001	INNER HEX SCREW M6x20	内六角螺钉M6×20	2		1	
04	9010-120310	RUBBER LINER, FUEL TANK	油箱缓冲橡胶衬管	2		1	
05	5020-031001	RUBBER SLEEVE, FRONT LICENSE BRACKET	前牌照支架橡胶胶套	2		6	



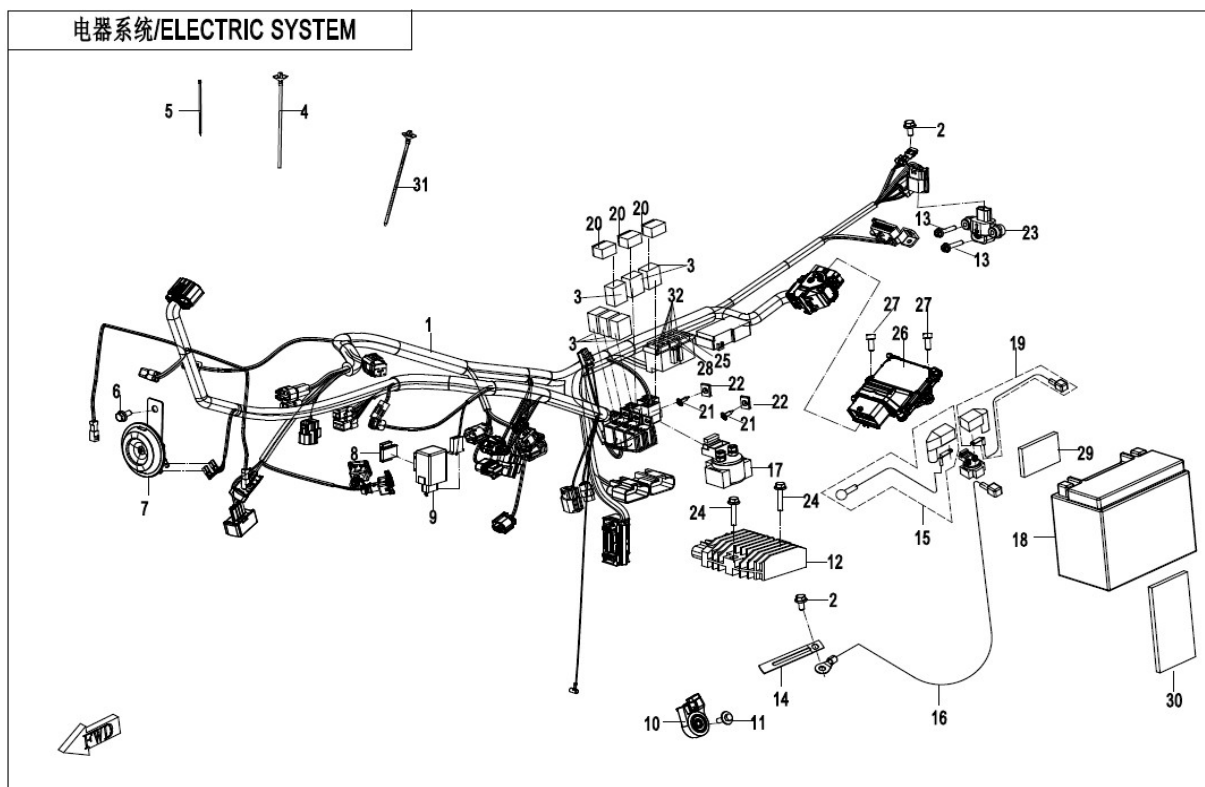
### F14 后扶手与脚踏 REAR HANDRAIL&FOOTREST

Item No.	Parts Number	Parts Name(EN)	Parts Name(CN)	Qty	Remark(s)	MOQ	Alternative Parts
01	30006-080030860	BOLT M8x30	螺栓_GB/T5789_M8x30_达克罗	3		1	
02	30102-080025810	SCREW M8x25	螺钉	4		6	
03	30105-050014410	SCREW M5x14	螺钉_GB/T818_M5x14_三价铬	4		6	
04	30105-050025410	SCREW M5x25	螺钉_GB/T818_M5x25_三价铬	4		6	
05	30121-080035860	SCREW M8x35	螺钉	4		6	
06	30200-06087L	NUT M6	螺母_GB6170_M6_三价铬	1		1	
07	6NQ#-140102-6000	CONNECTING ROD	连杆	1		1	
08	0700-065404	RUBBER SLEEVE, FOOT PEDAL	踏杆胶套	1		1	
09	6NQ#-140104-6001	BOLT, PEDAL	踏杆螺栓	1		1	
10	30309-080870	WASHER	垫圈_GB/T96.1_8_镀黑锌	4		1	
11	30802-00605	CIRCLIP 6	开口挡圈	2		6	
12	30802-00903	SPLIT WASHER 9	开口挡圈_GB/T896_9_镀铬	2		6	
13	5190-037813	SPRING	弹簧	2		1	
14	5190-037814	STEEL BALL	钢珠	2		2	
15	6KJ0-140132	RUBBER, LH FOOT PEDAL	左脚蹬橡皮组件	1		1	
16	6KJ0-140142	RUBBER ASSY, RH FOOTREST	右脚蹬橡皮组件	1		1	
17	6KJ0-140151-2B210	REAR FOOTREST SEAT, LH(MATTE BLACK)	左后脚踏座_亚光黑	1		1	
18	6KJ0-140161-2B210	REAR FOOTREST SEAT, RH(MATTE BLACK)	右后脚踏座_亚光黑	1		1	
19	6KM0-140131-1B200	FRONT FOOTREST SEAT, LH(MATTE BLACK)	左前脚踏座_亚光黑	1		1	
20	6KM0-140141-1B200	FRONT FOOTREST SEAT, RH(MATTE BLACK)	右前脚踏座_亚光黑	1		1	
21	6KM0-140170	RUBBERS, FOOTREST	脚踏橡皮组件	1		1	
22	6NQ#-140002-6000	RUBBER DAMPER	缓冲橡胶	4		1	
23	6NQ#-140003-6000	RUBBER WASHER	橡胶垫圈	4		1	
24	6NQ#-140004-6000	BALANCER, FOOTREST	脚踏平衡块	1		1	
25	6NQ#-140100-6002	GEARSHIFT ROD ASSY	换挡杆连接组合	1		1	
26	6NQ#-140103-6002	MOUNTING BUSHING	安装隔套	1		1	
27	6NQ#-140301-6001	BRACKET, FRONT LEFT FOOTREST	左前脚踏支架_阳极氧化	1		1	
28	6NQ#-140400-6001	BRACKET, FRONT RIGHT FOOTREST	右前脚踏支架组件_阳极氧化	1		1	6NQ#-140400-6002
29	6NQ#-140501-6001	BRACKET, REAR LEFT FOOTREST	左后脚踏支架_阳极氧化	1		1	
30	6NQ#-140601-6001	BRACKET, REAR RIGHT FOOTREST	右后脚踏支架_阳极氧化	1		1	
31	6NQ#-140701-6000-0B200	REAR ARMREST(MATTE BLACK)	后扶手_亚光黑	1		1	
31	6NQ#-140701-6000-0V100	REAR ARMREST	后扶手_银白	1		1	
32	6NQ#-140801-6000	T-TYPE BUSHING	T型衬套	4		1	
33	A000-140103-10000	TORSION SPRING	扭簧	2		1	
34	A000-140104	LOCATING GASKET 1	定位垫片 I_镀铬	2		2	
35	A000-140106	LOCATING GASKET 2	定位垫片 II_镀铬	2		2	
36	A000-140107	BOLT M8	凸头螺栓M8级_不锈钢	1		1	6KM0-140107
37	6NQ0-140001	PIN Dia 12, FRONT FOOTREST	前脚踏销轴φ12	2		1	
38	A000-140142	PIN SHAFT Dia 8	销轴φ8	2		2	
39	A010-140123	LIMIT BOLT	限位螺栓_镀铬	1		1	
40	30206-060570	NUT	盖形螺母	1		6	30206-060510
41	30200-060810	NUT M6	螺母	1		6	
42	30006-060020870	BOLT M6x20	螺栓	1		6	
43	6KJ0-140150-2B210	REAR FOOTREST, LH(MATTE BLACK)	左后脚踏组件	1		1	
44	6KJ0-140160-2B210	REAR FOOTREST, RH(MATTE BLACK)	右后脚踏组件	1		1	
45	6NQ#-1401A0-6000-1B200	RH FRONT FOOTREST ASSY(MATTE BLACK)	右前脚踏组件	1		1	
46	6NQ#-1401B0-6000-1B200	FRONT FOOTREST ASSY, LH(MATTE BLACK)	左前脚踏组件	1		1	



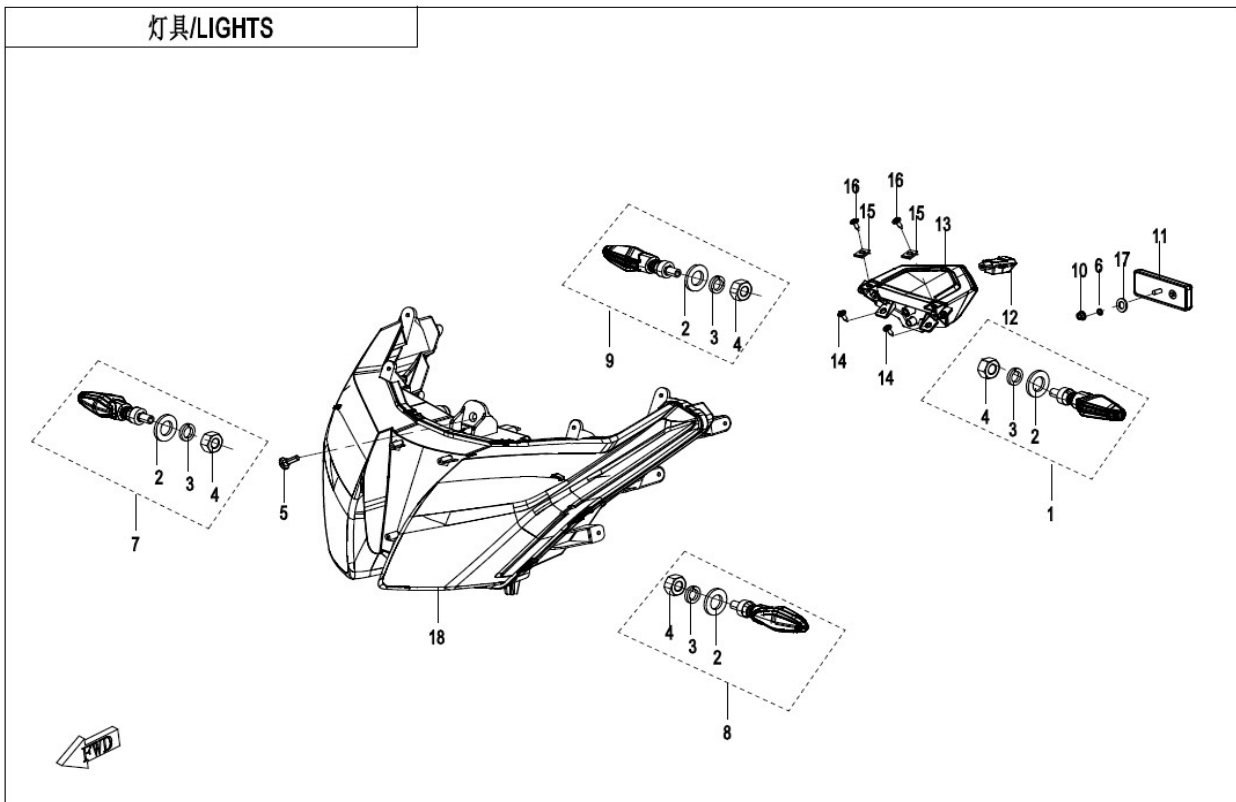
### F15 电器系统 ELECTRIC SYSTEM

Item No.	Parts Number	Parts Name(EN)	Parts Name(CN)	Qty	Remark(s)	MOQ	Alternative Parts
01	6NQ#-150100-6003	MAIN CABLE	主电缆	1		1	6NQ#-150100-6004
02	30006-060012810	BOLT M6x12	螺栓	2		6	30006-060012870
03	A000-150800	AUXILIARY RELAY	辅助继电器	6		1	
04	801F-100101	TIE BAND	扎带	4		6	
05	8010-150003	TIE BAND 5x250	扎带	11		6	
06	30006-080014810	BOLT M8x14	螺栓	1		6	
07	6NT1-150600	HORN	喇叭	1		1	
08	8010-150002	CUSHION WASHER, FLASHER	闪烁器缓冲垫	1		6	
09	6KMO-150340	FLASHER	闪烁器	1		1	
10	6070-151200-1000	SWITCH, SIDE STAND	边撑开关	1		1	
11	6NQ#-000204-6001	BOLT, M6X16	螺栓M6×16	1		1	
12	01AA-177000	REGULATOR LOW POWER	整流调压器	1		1	
13	30006-060030810	BOLT M6x30	螺栓	2		6	
14	0180-014010	WIRE CLAMP	线夹组合	3		6	
15	A000-150200	POSITIVE CABLE, STARTER MOTOR	启动马达正极线	1		1	
16	A000-150300	NEGATIVE CABLE, STARTER MOTOR	启动马达负极线	1		1	
17	9010-150310-10001	STARTER RELAY	启动继电器	1		1	
18	31021200	BATTERY	蓄电池 12V12Ah 猛狮_胶体电池	1		1	
19	A000-150700	POSITIVE CABLE, STARTER RELAY	启动继电器正极线	1		1	
20	A000-150801	RUBBER RING, AUXILIARY RELAY	辅助继电器橡胶圈	3		1	
21	30118-420095010	SELF-TAPPING SCREW ST4.2x9.5	自攻螺钉 GB/T845_F-H_ST4.2×9.5_三价铬	2		6	
22	8080-000002	CLIP NUT ST4.8	夹板ST4.8	2		6	
23	6KJ0-150600	SENSOR, ROLL-OVER	侧倾传感器	1		1	
24	0A70-014004	BOLT M5x25	螺栓 M5×25	2		6	
25	806A-151301	FUSE 7.5A	保险丝7.5A	1		2	
26	0MQA-174000	ECU	ECU	1		1	
27	30102-060016810	SCREW	螺钉	2		6	
28	806A-151302	FUSE 10A	保险丝10A	2		2	
29	5270-150001	FOAM (LH&RH), BATTERY	蓄电池泡沫垫左右	1		1	
30	5270-150002	FOAM (FR &RR), BATTERY	蓄电池泡沫垫前后	1		1	
31	7030-150005	TIE BAND	扎带	1		1	
32	806A-151305	FUSE 15A	保险丝 15A_15A	6		2	806A-151303



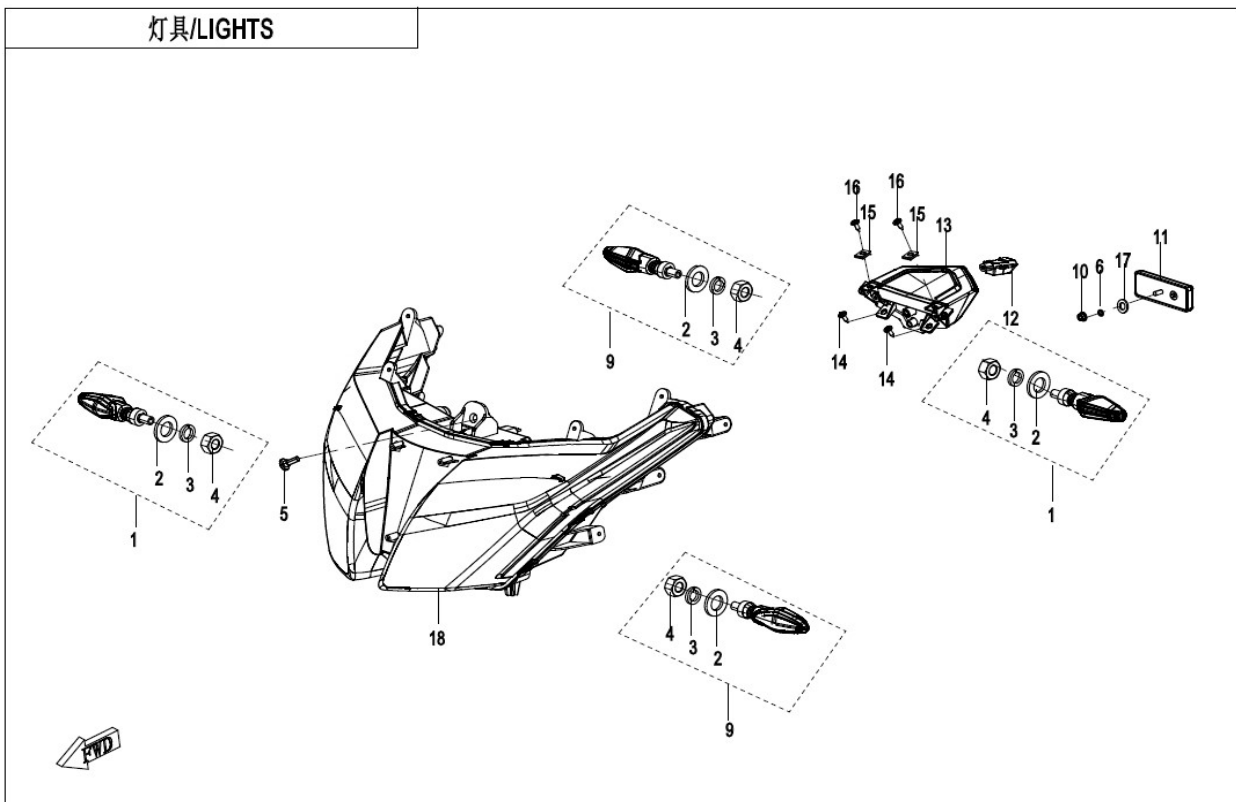
### F16-V1 灯具 LIGHTS

Item No.	Parts Number	Parts Name(EN)	Parts Name(CN)	Qty	Remark(s)	MOQ	Alternative Parts
01	6KM0-160400-00004	FRONT TURN LIGHT, LH	前左转向灯	1		1	
02	30306-120112	WASHER 12	垫圈	4		6	
03	30303-100112	WASHER	垫圈	4		6	
04	30200-102800	HEX NUT M10x1.25	六角螺母_M10×1.25_标准件	4		6	
05	8010-000004	BOLT M6x14	凸缘螺栓M6×14	1		6	
06	30303-050042	WASHER 5	垫圈 GB93 5 军绿	1		2	
07	6NQ#-160420-6002	FRONT TURN LIGHT, RH	右前转向灯	1		1	6KM0-160400-00004+6KM0-160500-00004
08	6NQ#-160410-6002	LH FRONT TURN LIGHT	左前转向灯	1		1	6KM0-160400-00004+6KM0-160500-00004
09	6KM0-160500-00004	FRONT TURN LIGHT, RH	前右转向灯	1		1	
10	30202-050170	NUT M5	螺母 GB/T6177 M5 镀黑锌	1		1	
11	5190-160230	REAR REFLECTOR(RECTANGLE, RED)	后反射器	1		1	
12	6KJ0-160300-00001	LICENCE LIGHT	牌照灯_尺寸由300更改为340	1		1	
13	6KM0-160200	REAR TAIL LIGHT	后尾灯	1		1	
14	30110-421130010	SELF-TAPPING SCREW ST4.2x13	自攻螺钉	2		6	
15	8080-000002	CLIP NUT ST4.8	夹板ST4.8	2		6	
16	30110-481130010	SELF-TAPPING SCREW ST4.8x13	自攻螺钉	2		6	
17	30304-050440	WASHER	垫圈	1		6	
18	6NQ#-160100-6002	HEADLIGHT	前照灯	1		1	6NQ#-160100-6003
18	6NQ#-160100-6003	HEADLIGHT	前照灯	1		1	



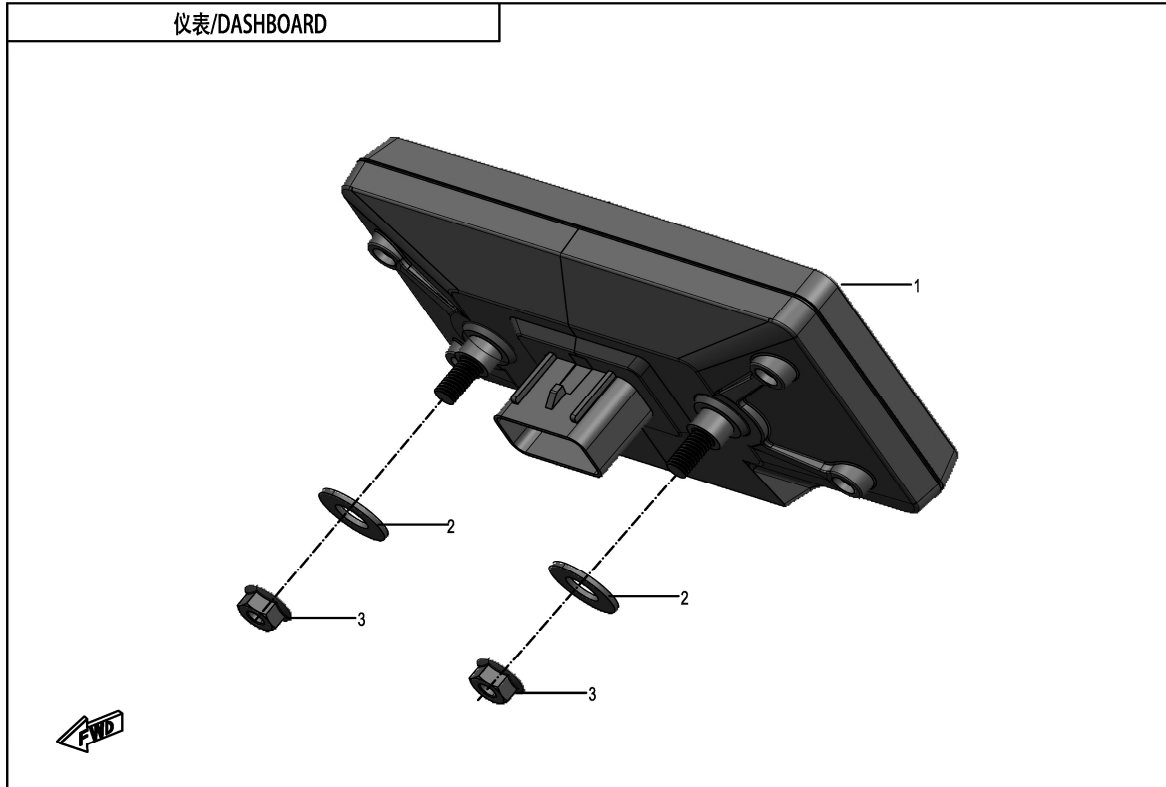
### F16-V2 灯具 LIGHTS

Item No.	Parts Number	Parts Name(EN)	Parts Name(CN)	Qty	Remark(s)	MOQ	Alternative Parts
01	6KM0-160400-00004	FRONT TURN LIGHT, LH	前左转向灯	2		1	
02	30306-120112	WASHER 12	垫圈	4		6	
03	30303-100112	WASHER	垫圈	4		6	
04	30200-102810	NUT M10x1.25	螺母 GB/T6170_M10x1.25_三价铬	4		6	30200-102800
05	8010-000004	BOLT M6x14	凸缘螺栓M6x14	1		6	
06	30303-050012	WAHSER	垫圈 GB/T93_5_三价铬	1		6	30303-050042
09	6KM0-160500-00004	FRONT TURN LIGHT, RH	前右转向灯	2		1	
10	30202-050170	NUT M5	螺母 GB/T6177_M5_镀黑锌	1		1	
11	5190-160230	REAR REFLECTOR(RECTANGLE, RED)	后反射器	1		1	
12	6KJ0-160300-00001	LICENCE LIGHT	牌照灯_尺寸由300更改为340	1		1	
13	6KM0-160200	REAR TAIL LIGHT	后尾灯	1		1	
14	30110-421130010	SELF-TAPPING SCREW ST4.2x13	自攻螺钉	2		6	
15	8080-000002	CLIP NUT ST4.8	夹板ST4.8	2		6	
16	30110-481130010	SELF-TAPPING SCREW ST4.8x13	自攻螺钉	2		6	
17	30304-050440	WASHER	垫圈	1		6	
18	6NQ#-160100-6002	HEADLIGHT	前照灯	1		1	6NQ#-160100-6003
18	6NQ#-160100-6003	HEADLIGHT	前照灯	1		1	



### F17 仪表 DASHBOARD

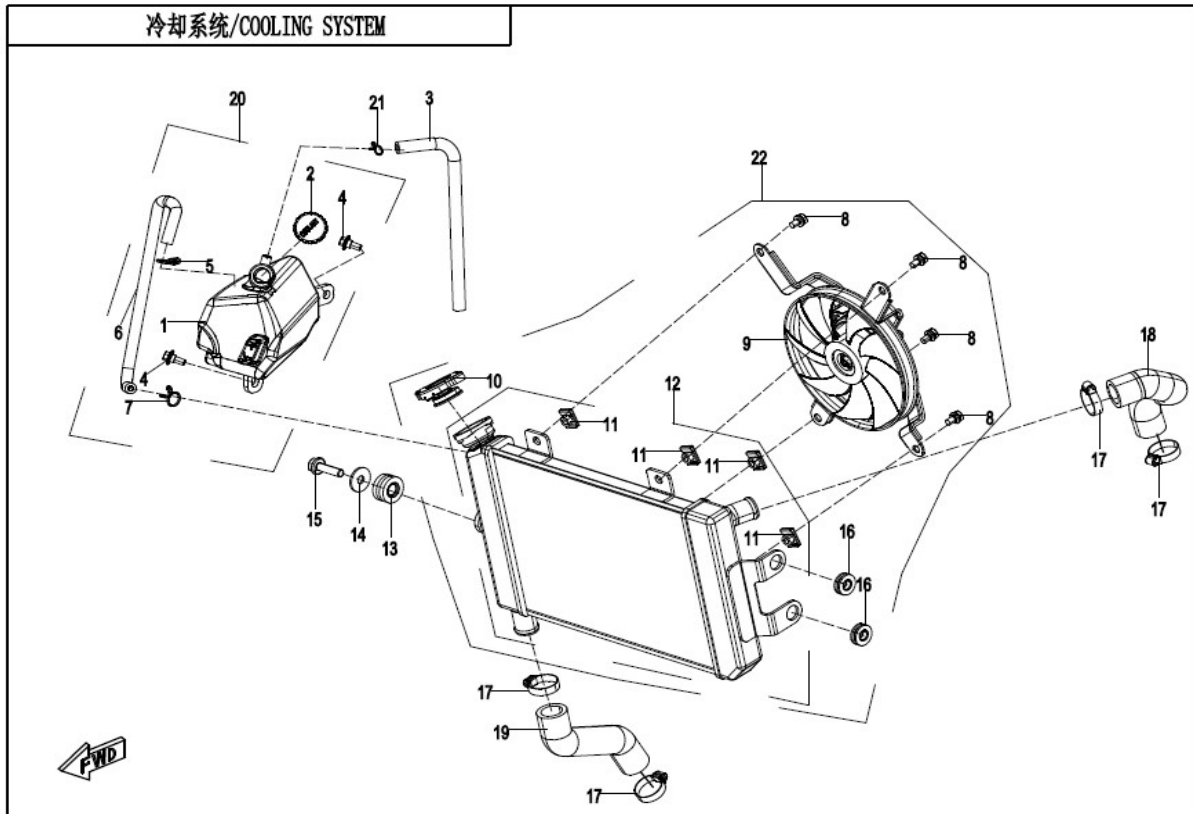
Item No.	Parts Number	Parts Name(EN)	Parts Name(CN)	Qty	Remark(s)	MOQ	Alternative Parts
01	6NQ#-170100-6001	DASHBOARD Supplier-TARO	仪表	1		1	6NQ#-170100-6002
01	6NQ#-170100-6001-10	DASHBOARD Supplier-IGO	仪表	1		1	6NQ#-170100-6003-10
02	30305-060112	WASHER 6	垫圈	2		6	
03	30202-060110	NUT M6	螺母	2		6	30204-060810





### F18 冷却系统 COOLING SYSTEM

Item No.	Parts Number	Parts Name(EN)	Parts Name(CN)	Qty	Remark(s)	MOQ	Alternative Parts
01	6NT1-180310	RESERVOIR WATER TANK	副水箱组件	1		1	
02	6KJ0-180302	CAP, RESERVOIR TANK	副水箱盖	1		1	
03	6090-360003	VACUUM PIPE, CANISTER	碳罐负压管	1		1	
04	8010-000004	BOLT M6x14	凸缘螺栓M6×14	2		6	
05	30601-212530	CLAMP B12.5	环箍B12.5_QC/T621_B12.5_镀铬	1		1	
06	6NQ#-180001-6000	CONNECTING PIPE, RESERVOIR TANK	副水箱连接管	1		1	
07	30601-210530	CLAMP B10.5	环箍B10.5_QC/T621_B10.5_镀铬	2		6	
08	30112-060012410	SCREW ASSY M6x12	螺钉组合件	4		6	
09	A000-180200	FAN&MOTOR	风扇电机组合	1		1	
09	A000-180200-20000	FAN MOTOR ASSY	风扇电机组合	1		1	
10	A000-180400	CAP, WATER FILLER	加水口盖组件	1		1	
11	8030-040800-00001	NUT CLIP M6	M6螺母夹	4		6	
12	A010-180100-20000	RADIATOR	散热器	1		1	
12	A010-180100	RADIATOR	散热器	1		1	
13	A000-180005	DAMPER2, RADIATOR	散热器减震胶垫II	1		1	
14	A000-180010-1000	COLLAR, RADIATOR	散热器减震胶垫II衬套	1		1	A000-180010-20000
15	30006-080030810	BOLT M8x30	螺栓	1		2	
16	A000-180004	DAMPER1, RADIATOR	散热器减震胶垫I	2		1	
17	A000-180006	CLAMP B30	环箍B30	4		6	
18	A000-180001-1000	WATER INLET HOSE, RADIATOR	散热器进水管	1		1	A000-180001-20000+A000-180002-20000
19	A000-180002-1000	WATER OUTLET HOSE, RADIATOR	散热器出水管	1		1	A000-180001-20000+A000-180002-20000
20	6NQ#-1803A0-6000	RESERVOIR TANK ASSY	副水箱组合	1		1	
21	30601-207050	CLAMP B7	环箍B7_QC/T621_B7_黑色氧化	1		6	
22	A010-181000	FAN MOTOR ASSY, RADIATOR	散热器风扇组合	1		1	



F19-1 警告贴花 WARNING DECAL

Item No.	Parts Number	Parts Name(EN)	Parts Name(CN)	Qty	Remark(s)	MOQ	Alternative Parts
01	9GQA-190201-10000	WARNING LABEL, FUEL FILLING PORT	加油口警告标贴	1		1	

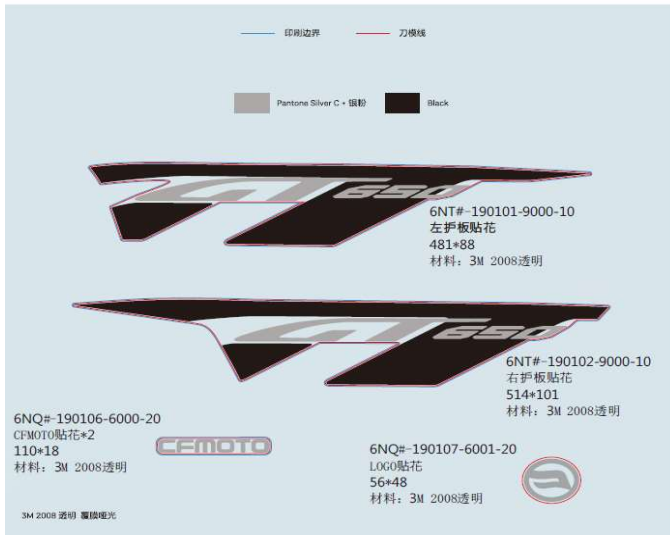


## F19-2-A 个性贴花 (星光黑) DECAL KITS (NEBULA BLACK)

Item No.	Parts Number	Parts Name(EN)	Parts Name(CN)	Qty	Remark(s)	MOQ	Alternative Parts
01	6NT#-190100-9000-10	DECAL ASSY	个性贴花总成	1		1	
02	6NT#-190109-9000-10	DECAL 2, REAR RIM	后轮钢贴花II_星光黑车用	2		1	
03	6NT#-190108-9000-10	DECAL 1, REAR RIM	后轮钢贴花I_星光黑车用	2		1	
04	6NT#-190107-9000-10	DECAL 2, FRONT RIM	前轮钢贴花II_星光黑车用	2		1	
05	6NT#-190106-9000-10	DECAL 1, FRONT RIM	前轮钢贴花I_星光黑车用	2		1	
06	6NT#-190105-9000-20	MODEL DECAL	型号贴花	2		1	
07	6NQ#-190108-6000-20	ABS DECAL	ABS贴花	2		1	
08	6NQ#-190107-6001-20	LOGO DECAL	LOGO贴花	1		1	
09	6NQ#-190106-6000-20	CFMOTO STICKER	CFMOTO贴花	2		1	
10	6NT#-190102-9000-10	DECAL, RH PANEL	右护板贴花_星光黑车用	1		1	
11	6NT#-190101-9000-10	DECAL, LH PANEL	左护板贴花_星光黑车用	1		1	

### 650GT星光黑量产贴花

### 6NT#-190100-9000-10 个性贴花总成



Pantone 2229 C Black Pantone Cool Gray 5 C

3M 2008 光白



Black White Pantone Cool Gray 7 C



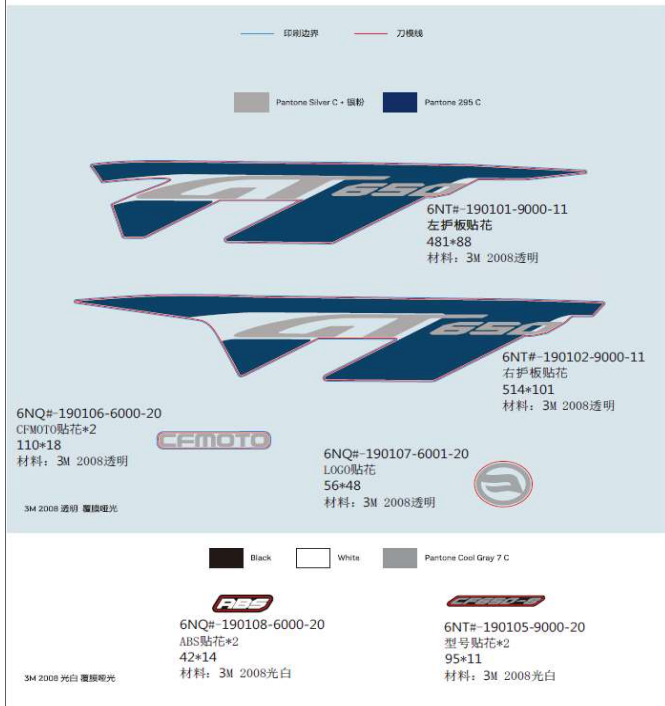
3M 2008 光白 覆膜哑光

## F19-2-B 个性贴花 (亚光概念蓝) DECAL KITS ( MATTE CONCUPT BLUE)

Item No.	Parts Number	Parts Name(EN)	Parts Name(CN)	Qty	Remark(s)	MOQ	Alternative Parts
01	6NT#-190100-9000-11	DECAL ASSY	个性贴花总成	1		1	
02	6NT#-190106-9000-11	DECAL 1, FRONT RIM	前轮钢贴花I_亚光概念蓝车用	2		1	
03	6NT#-190107-9000-11	DECAL 2, FRONT RIM	前轮钢贴花II_亚光概念蓝车用	2		1	
04	6NT#-190108-9000-11	DECAL 1, REAR RIM	后轮钢贴花I_亚光概念蓝车用	2		1	
05	6NT#-190109-9000-11	DECAL 2, REAR RIM	后轮钢贴花II_亚光概念蓝车用	2		1	
06	6NT#-190105-9000-20	MODEL DECAL	型号贴花	2		1	
07	6NQ#-190108-6000-20	ABS DECAL	ABS贴花	2		1	
08	6NQ#-190107-6001-20	LOGO DECAL	LOGO贴花	1		1	
09	6NQ#-190106-6000-20	CFMOTO STICKER	CFMOTO贴花	2		1	
10	6NT#-190102-9000-11	DECAL, RH PANEL	右护板贴花_亚光概念蓝车用	1		1	
11	6NT#-190101-9000-11	DECAL, LH PANEL	左护板贴花_亚光概念蓝车用	1		1	

### 650GT概念蓝量产贴花

### 6NT#-190100-9000-11 个性贴花总成



概念蓝 Black Pantone Cool Gray 5 C

3M 2008 光白

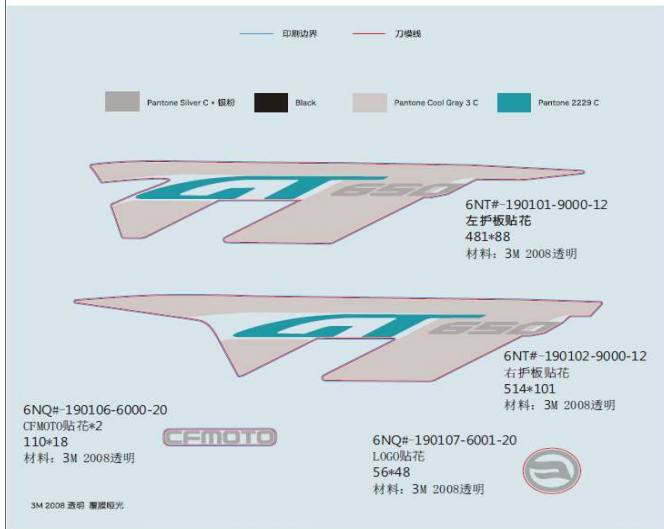


## F19-2-C 个性贴花 (星光白) DECAL KITS(NEBULA WHITE)

Item No.	Parts Number	Parts Name(EN)	Parts Name(CN)	Qty	Remark(s)	MOQ	Alternative Parts
01	6NT#-190100-9000-12	DECAL ASSY	个性贴花总成	1		1	
02	6NT#-190101-9000-12	DECAL, LH PANEL	左护板贴花	1		1	
03	6NT#-190102-9000-12	DECAL, RH PANEL	右护板贴花	1		1	
04	6NQ#-190106-6000-20	CFMOTO STICKER	CFMOTO贴花	2		1	
05	6NQ#-190107-6001-20	LOGO DECAL	LOGO贴花	1		1	
06	6NQ#-190108-6000-20	ABS DECAL	ABS贴花	2		1	
07	6NT#-190105-9000-20	MODEL DECAL	型号贴花	2		1	
08	6NT#-190106-9000-10	DECAL 1, FRONT RIM	前轮钢贴花I_星光黑车用	2		1	
09	6NT#-190107-9000-10	DECAL 2, FRONT RIM	前轮钢贴花II_星光黑车用	2		1	
10	6NT#-190108-9000-10	DECAL 1, REAR RIM	后轮钢贴花I_星光黑车用	2		1	
11	6NT#-190109-9000-10	DECAL 2, REAR RIM	后轮钢贴花II_星光黑车用	2		1	

### 650GT星光白量产贴花

### 6NT#-190100-9000-12个性贴花总成



Pantone 2229 C     Black     Pantone Cool Gray 5 C

3M 2008 光白



Black     White     Pantone Cool Gray 7 C

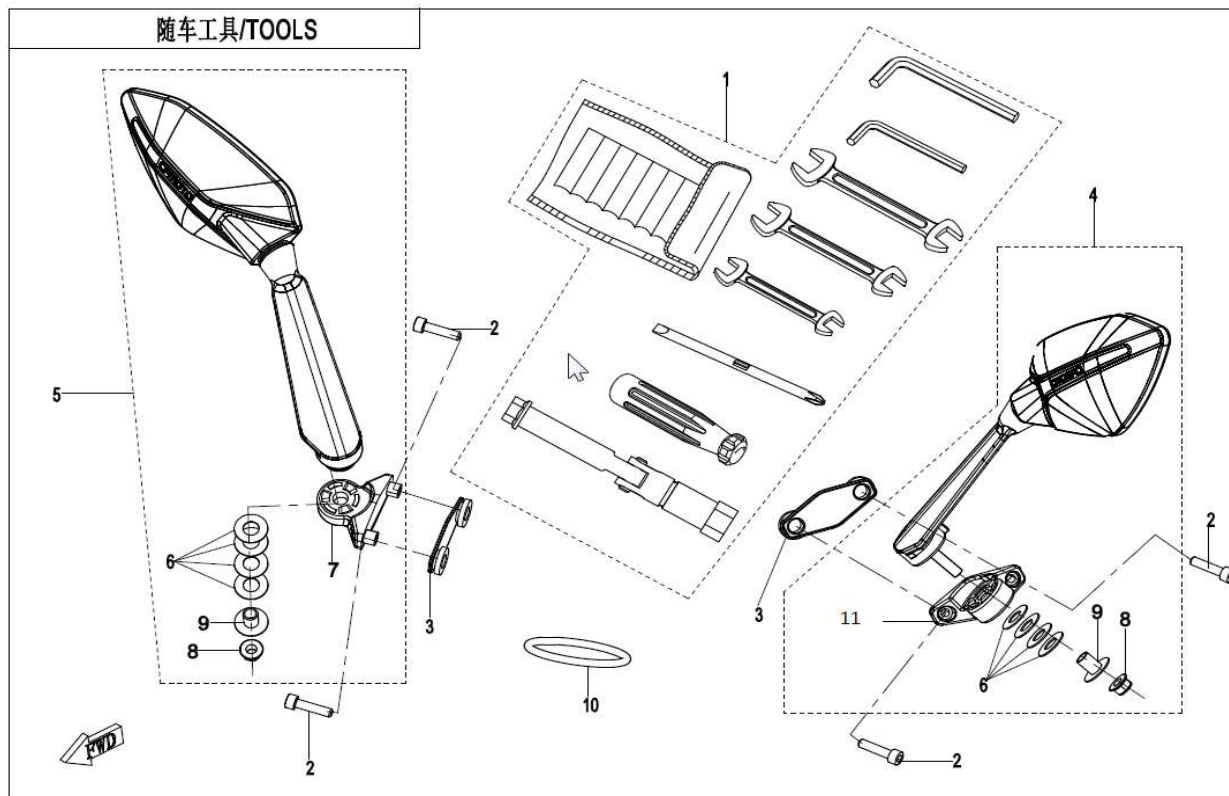
**ABS**  
**6NQ#-190108-6000-20**  
 ABS贴花\*2  
 42\*14  
 材料: 3M 2008 光白

**CFMOTO**  
**6NT#-190105-9000-20**  
 型号贴花\*2  
 95\*11  
 材料: 3M 2008 光白

3M 2008 光白 覆膜极光

## F20 随车工具 TOOLS

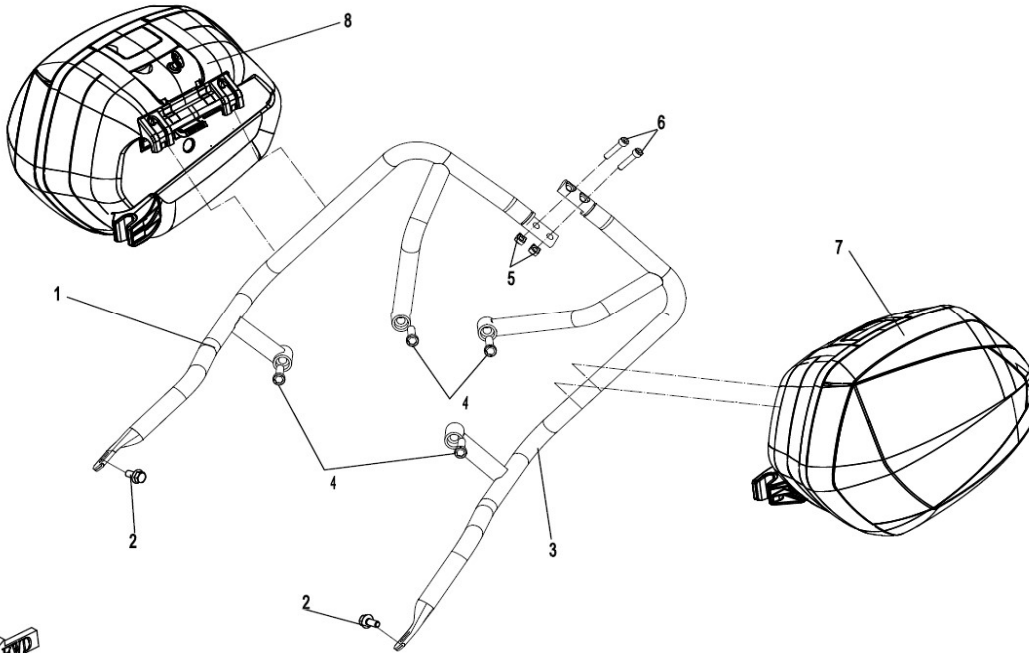
Item No.	Parts Number	Parts Name(EN)	Parts Name(CN)	Qty	Remark(s)	MOQ	Alternative Parts
01	6NQ0-200100-10000	TOOLS	随车工具	1		1	
02	30102-060025870	SCREW M6x25	螺钉_GB/T70.1_M6x25_镀黑锌	4		1	
03	6NQ#-200001-6000	RUBBER MAT	安装橡胶垫	2		1	
04	6NQ#-200300-6001	REAR VIEW MIRROR, LH	左后视镜总成	1		1	
05	6NQ#-200400-6001	REAR VIEW MIRROR, RH	右后视镜总成	1		1	
06	30305-060112	WASHER 6	垫圈	8		6	
07	6NQ#-200401-6000	MOUNTING BRACKET, REAR RH VIEW MIRROR	右后视镜安装座	1		1	
08	30204-080810	NUT M8	螺母	2		6	
09	6NQ#-200300-6000-24	SLEEVE	衬套	2		1	
10	6100-200001	TIE BAND, TOOLS KIT	随车工具拉带	2		1	
11	6NQ#-200301-6001	MOUNTING BRACKET, REAR LH VIEW MIRROR	左后视镜安装座	1		1	



### F22 边箱(塑料) SIDE BOXES (PLASTIC)

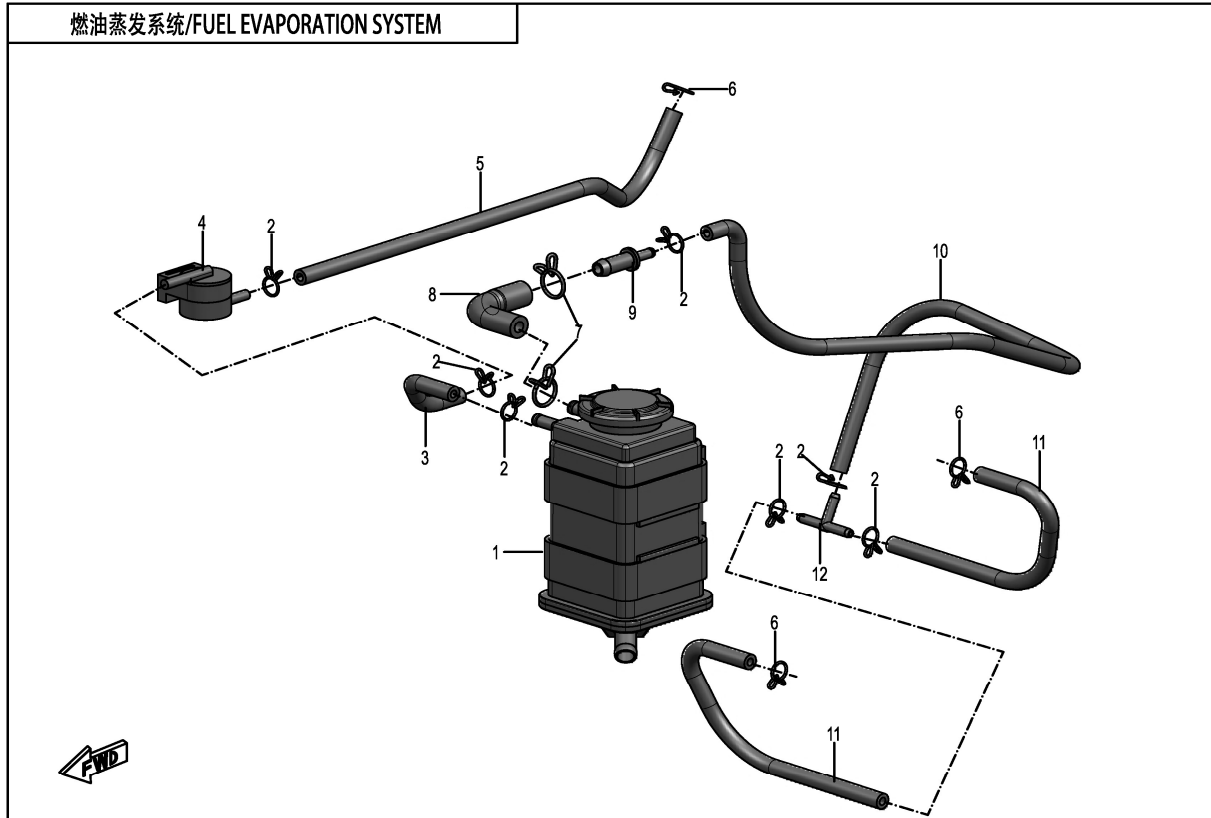
Item No.	Parts Number	Parts Name(EN)	Parts Name(CN)	Qty	Remark(s)	MOQ	Alternative Parts
01	6NQ#-220200-6000-0BB00	BRACKET, RH SIDE BOX(BLACK)	右边箱支撑架组合_砂纹塑粉	1		1	
02	30006-080014810	BOLT M8x14	螺栓	2		6	
03	6NQ#-220100-6000-0BB00	BRACKET, LH SIDE BOX(BLACK)	左边箱支撑架组合_砂纹塑粉	1		1	
04	30102-080045810	INNER HEX SCREW M8x45	螺钉	4		6	
05	30204-060810	NUT M6	螺母	2		6	
06	30102-060025870	SCREW M6x25	螺钉_GB/T70.1_M6x25_镀黑锌	2		1	
07	6NQ#-220300-6000	LH SIDE BOX	左边箱	1		1	
08	6NQ#-220400-6000	RH SIDE BOX	右边箱	1		1	

### F22 边箱总成/SIDE BOXES ASSY



### F36 燃油蒸发系统 FUEL EVAPORATION SYSTEM

Item No.	Parts Number	Parts Name(EN)	Parts Name(CN)	Qty	Remark(s)	MOQ	Alternative Parts
01	6NT1-360200	CANISTER	炭罐	1		1	
02	30601-108010	CLAMP A8	环箍A8	7		6	
03	6NQ#-360003-6000	FUEL ADSORPTION PIPE	燃油吸附管	1		1	
04	606B-360100	ANTI-ROLLOVER VALVE	防倾阀	1		1	
05	6NT1-360003	FUEL VAPOR HOSE 3	燃油蒸汽管Ⅲ	1		1	
06	30601-109010	CLAMP A9	环箍	3		6	
07	30601-112010	CLAMP A12	环箍	2		6	
08	6NQ#-360002-6000	FUEL DESORPTION PIPE I	燃油脱附管 I	1		1	
09	8010-180018	JOINT, HEAT TRANSMIT PIPE	传热水管接头	1		6	
10	6NQ#-360001-6000	FUEL DESORPTION PIPE	燃油脱附管	1		1	
11	6NQ0-360002	FUEL VAPOR HOSE 2	燃油蒸汽管Ⅱ	2		1	
12	8010-360001	VACUUM T-JOINT	负压三通接头	1		6	





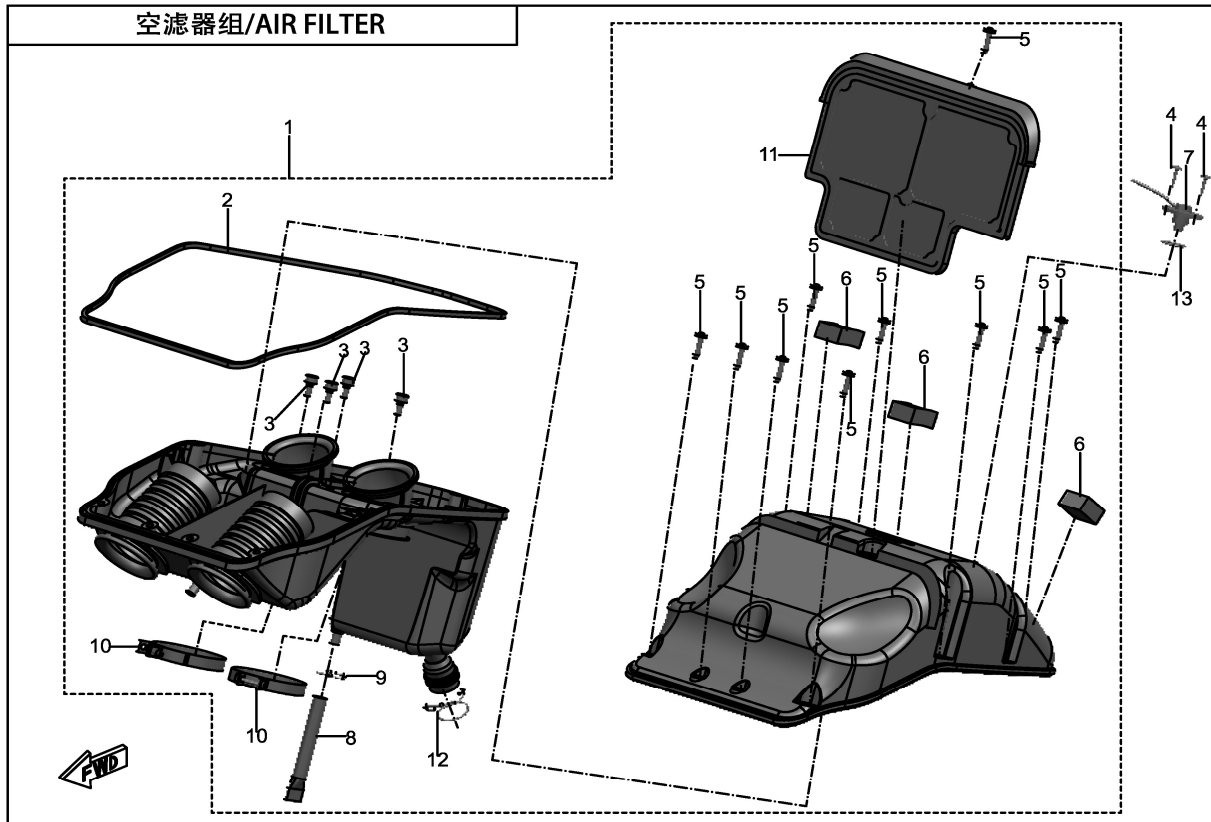
### F38 说明书 OWNER'S MANUAL

Item No.	Parts Number	Parts Name(EN)	Parts Name(CN)	Qty	Remark(s)	MOQ	Alternative Parts
01	6NQ#-380102-6100	OWNERS MANUAL(EU 4)	使用说明书_欧四	1		1	6NQ#-380102-6101
01	6NQ#-380102-6101	OWNERS MANUAL(EU 4)	使用说明书_欧四	1		1	6NQ#-380102-6102



### F41 空滤器组 AIR FILTER

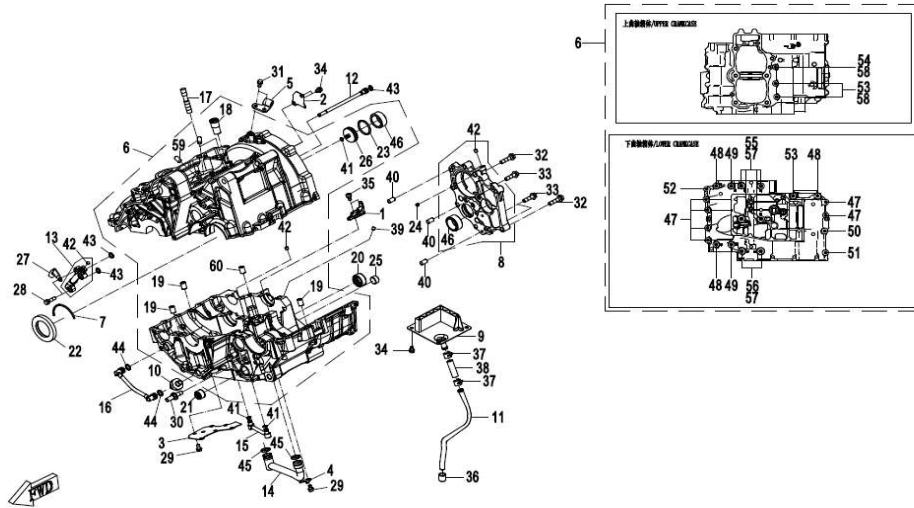
Item No.	Parts Number	Parts Name(EN)	Parts Name(CN)	Qty	Remark(s)	MOQ	Alternative Parts
01	0700-111000	AIR FILTER	空气滤清器	1		1	
02	0700-111002	SEAL RING	二次补气进气管	1		1	
03	30102-060012810	SCREW	螺钉	4		6	
04	30110-420160010	SELF-TAPPING SCREW ST4.2x16	自攻螺钉	2		6	
05	30110-480200040	SELF-TAPPING SCREW ST4.8x20-F-H	自攻螺钉ST4.8x20-F-H_GB/T845 ST4.8x20-F-H	10		6	
06	0700-111004	DAMPER FOAM	减震泡沫	3		1	
07	0700-110001	PLUG, UPPER HOUSING	上壳体堵盖	1		1	
08	0700-111006	OIL STORAGE HOSE	储油管	1		1	
09	30601-110010	CLAMP A10	环箍	1		6	
10	0700-111011	CLAMP 56, AIR INLET PIPE	进气管卡箍组件56	2		1	
11	0700-111100	FILTER ELEMENT	滤芯组件	1		1	
12	30601-124020	CLAMP A24	环箍A24_QC/T621 A24_白锌	1		6	
13	0060-111015	O-SEAL RING 17x2	O型密封圈17x2	1		2	



E01-1 上&下曲轴箱分总成 UPPER & LOWER CRANKCASE

Item No.	Parts Number	Parts Name(EN)	Parts Name(CN)	Qty	Remark(s)	MOQ	Alternative Parts
01	0700-012300	PLATE, OIL SHIELDING	油室分隔板组件	1		1	
02	0700-011104	GUARD, BREATHER	呼吸器挡板	1		1	
03	0700-012006	PLATE, LOWER CRANKCASE	下箱体盖板	1		1	
04	0700-070001	PLATE, OIL PIPE1	过油管 I 压板	1		1	
05	0700-010002	HOLDER, CLUTCH CABLE	离合拉线支架	1		1	
06	0700-0100A0-1B20	CRANKCASE ASSY (MATTE BLACK)	曲轴箱分件 亚光黑	1		1	
07	0700-010001	RING 62, BEARING	轴承止动环62	1		1	
08	0700-0660A0	GEAR CASE	变速箱盖分件	1		1	
09	0700-011410	BREATHER ASSY	呼吸器焊接分件	1		1	
10	0700-012500	SWITCH, OIL PRESSURE	机油低压报警开关	1		1	
11	0700-011402-1000	OIL RETURN HOSE	回油管	1		1	
12	0700-011310	OIL PIPE 5	过油管 V 分件	1		1	
13	0700-0112A0-0B20	OIL PIPE 4(MATTE BLACK)	过油管IV分件 亚光黑	1		1	
14	0700-070300	OIL PIPE 1	过油管 I 分件	1		1	
15	0700-012210	OIL PIPE 3	过油管III分件	1		1	
16	0700-012710	OIL PIPE 2	过油管II分件	1		1	
17	0700-011102-00001	STUD M10x57	双头螺栓 M10x57 彩锌三价铬	1		1	
18	0700-011103	PIPE BREATHER	呼吸器通气管	1		1	
19	30410-01000	ROLLER 10x14	圆柱滚子10X14	3		1	
20	30403-02200	NEEDLE BEARING HK2212	滚针轴承HK2212 GB290 HK2212	1		1	
21	30403-01300	NEEDLE BEARING HK1312	滚针轴承HK1312 GB290 HK1312	1		1	
22	0700-010200	OIL SEAL 40x62x8, COUNTERSHAFT	副轴油封 40x62x8	1		1	
23	0700-011112	O-SEAL RING 29x2.5	O形密封圈 29x2.5	1		2	
24	0700-066006	OIL LIMIT PLUG	限油螺塞	1		1	0700-066006-00001
25	0700-012105-00001	PLUG, MAIN OIL RAIL	主油道堵头 彩锌三价铬	1		1	
26	0700-011106	PLUG, UPPER CRANKCASE	上箱油堵	1		1	
27	0180-014010	WIRE CLAMP	线束组合	1		6	
28	0010-080013-0010	BOLT M6x22	螺栓 M6x22 彩锌三价铬	2		6	
29	0010-080010-0010	BOLT M6x10	螺栓 M6x10 彩锌三价铬	7		6	
30	0700-012107-00001	DOWEL PIN, TRANSMISSION SPRING	换挡轴用簧定位销 彩锌三价铬	1		1	
31	0010-021019-0010	BOLT M6x12	螺栓 M6x12 彩锌三价铬	2		6	
32	0700-066004-00001	BOLT M7x30	螺栓 M7x30 彩锌三价铬	6		1	
33	0700-066007	BOLT M7x26	螺栓 M7x26	3		6	
34	0700-011105-00001	BOLT M6x8	螺栓 M6x8 彩锌三价铬	6		1	
35	0700-012012-00001	SCREW M6x8	螺钉 M6x8 彩锌三价铬	2		1	
36	0700-011403	DAMPER, OIL RETURN HOSE	回油管减震橡胶套	1		1	
37	30601-211550	STEEL BAND CLAMP B11.5	钢带管箍B11.5 QC/T621 B11.5	2		1	
38	0700-011401	CONNECTING PIPE BREATHER	呼吸器连接管	1		1	
39	0700-012104	SCREW PLUG M6, OIL PASSAGE	油道螺堵 M6	1		1	
40	0700-022018	SOLID PIN 8x14	实心销 8x14	3		1	
41	0700-012201	O-SEAL RING 5x2	O形密封圈 5x2	3		2	
42	0700-066005	PLUG 6	堵头6	2		6	
43	0700-011202	O-SEAL RING 8.2x1.90	O形密封圈 8.2x1.90	3		2	
44	0700-012701	O-SEAL RING 10x2	O形密封圈 10x2	2		2	
45	0700-070003	O-SEAL RING 14x2.5	O形密封圈 14x2.5	2		2	
46	0700-011107	SHAFT SLEEVE	轴套	2		1	
47	0700-012007-00001	BOLT M7x40	螺栓 M7x40 彩锌三价铬	6		1	
48	0700-012004-00001	BOLT M8x60	螺栓 M8x60 彩锌三价铬	3		1	
49	0700-012003-00001	BOLT M8x73	螺栓 M8x73 彩锌三价铬	2		1	
50	0700-012011-00001	BOLT M8x50	螺栓 M8x50 彩锌三价铬	1		1	
51	0700-012009-00001	BOLT M7x34	螺栓 M7x34 彩锌三价铬	1		1	
52	0700-012005-00001	BOLT M7x47	螺栓 M7x47 彩锌三价铬	1		1	
53	0700-011001-00001	BOLT M8x110	螺栓 M8x110 彩锌三价铬	3		1	
54	0700-011002-00001	BOLT M8x120	螺栓 M8x120 彩锌三价铬	1		1	
55	0700-012001	BOLT M9x113	螺栓 M9x113	4		4	
56	0700-012008-00001	BOLT M9x83	螺栓 M9x83 彩锌三价铬	2		1	
57	0700-012002	WASHER 9.2x19x2.3	垫圈 9.2x19x2.3	6		1	
58	0010-022012	WASHER 8	垫圈8	3		6	
59	0800-011400	NOZZLE VALVE ASSY	喷嘴阀组件	2		1	
60	01A0-056004	DOWEL PIN Dia 6x12	定位销φ6x12	1		6	

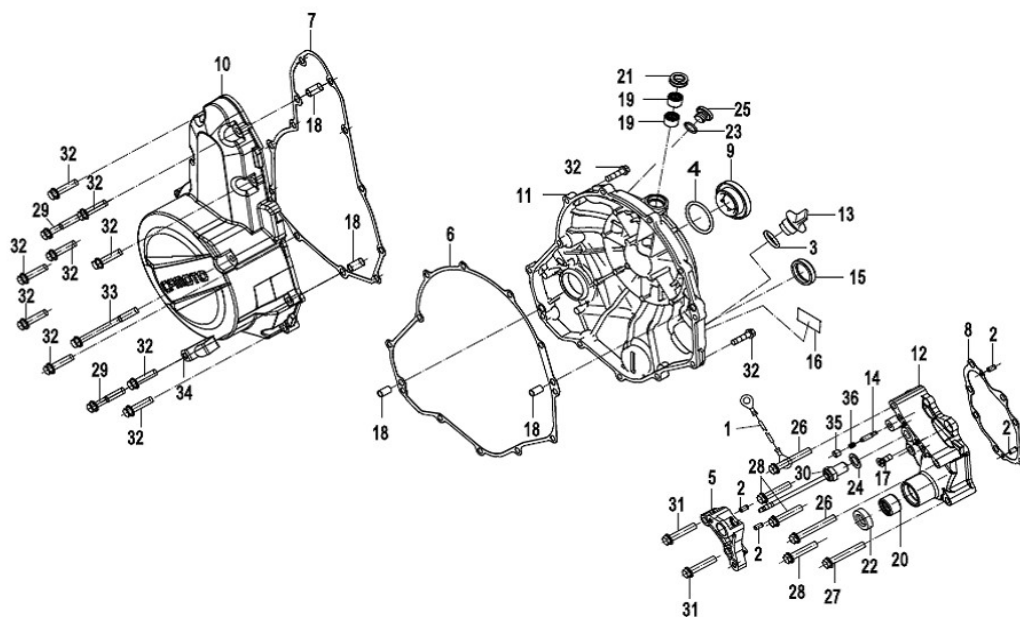
E01-1 上和下曲轴箱分总成UPPER & LOWER CRANKCASE



### E01-2 右&左侧盖分总成 RIGHT&LEFT SIDE COVER

Item No.	Parts Number	Parts Name(EN)	Parts Name(CN)	Qty	Remark(s)	MOQ	Alternative Parts
01	0700-065205	GROUND CABLE, AUXILIARY	辅助接地线	1		1	
02	30406-00401	ROLLER NEEDLE P4x7.8	滚针P4×7.8_GB309 P4×7.8	4		3	
03	0110-013030	O-SEAL RING 18x3.55	O形密封圈_18×3.55	1		2	
04	01A0-012003	O-SEAL RING 35x3.5	O形密封圈_35×3.5	1		2	
05	0700-065301	HOLDER	支座	1		1	
06	0700-013002-10000	GASKET, RH SIDE COVER	右侧盖密封垫_复合材料垫片	1		1	
07	0700-014002-10000	GASKET, LH SIDE COVER	左侧盖密封垫_复合材料垫片	1		1	
08	0700-065202-10000	GASKET, TRANSMISSION COVER	换挡轴盖垫片_复合材料垫片	1		1	
09	01A0-012002-0H700	COVER, OIL STRAINER(SILVER GREY)	滤网盖_亚光粗银灰	1		1	
09	01A0-012002-0B20	COVER, OIL STRAINER(MATTE BLACK)	滤网盖_亚光黑	1		1	
10	0700-014001-2H301	LH SIDE COVER(SILVER BLACK)	左侧盖_平光黑银	1		1	
11	0700-013001-1H701	RH SIDE COVER(SILVER GREY)	右侧盖_粗银灰	1		1	
12	0700-065201-2B200	COVER, GEARSHIFT SHAFT(MATTE BLACK)	换挡轴盖_亚光黑	1		1	0700-065201-4B200
13	0700-013008	PLUG, OIL FILLING	加油塞	1		1	
14	0700-065204	CONTACTOR	球形触头_国宾车专用	1		1	
15	0700-013100-00001	VIEWER, OIL LEVEL	油面观察窗组合	1		1	
16	0700-013005-30000	LABEL, OIL CAPACITY(SHORT,ENGLISH)	加油说明标签_英文	1	ENGLISH	1	
17	30128-060016830	SCREW M6x16	螺钉_GB/T819.2 M6X16_镀铬	1		6	
18	0010-080008	DOWEL PIN Dia 8x14	定位销φ8X14	4		6	
19	30403-01200	NEEDLE BEARING HK1210	滚针轴承HK1210_GB290 HK1210	2		1	
20	30403-01300	NEEDLE BEARING HK1312	滚针轴承HK1312_GB290 HK1312	1		1	
21	0010-080009	OIL SEAL 12x20x5	油封_12×20×5	1		1	
22	0700-065220	OIL SEAL 13x22x5.5	油封_13×22×5.5	1		1	
23	01A0-013005	O-SEAL RING 13x2	O形密封圈_13×2	1		2	
24	0010-060010	WASHER 10	垫圈10	1		6	
25	0700-013003-10000	HOLE CAP, TIMING INSPECTION	正时观察孔盖	1		1	
26	0180-013208-0010	BOLT M6x45	螺栓_M6X45_彩锌三价铬	2		6	
27	0010-013009-0010	BOLT M6x40	螺栓_M6X40_彩锌三价铬	1		6	
28	0010-060012-0010	BOLT M6x30	螺栓_M6X30_彩锌三价铬	3		6	
29	0010-013008-0010	BOLT M6x35	螺栓_M6×35_彩锌三价铬	2		6	
30	0700-065210	REVERSE SENSOR ASSY	倒档传感器组件	1		1	
31	0010-023010-0010	BOLT M6x20	螺栓_M6×20_彩锌三价铬	2		6	
32	0010-021017-0010	BOLT M6x25	螺栓_M6×25_彩锌三价铬	23		6	
33	0020-011018-0010	BOLT M6x70	螺栓_M6×70_彩锌三价铬	1		6	
34	0700-014003	CABLE CLIP	线夹	1		1	
35	0700-066005	PLUG 6	堵头6	1		6	
36	0700-065203	SPRING	弹簧_国宾车专用	1		1	

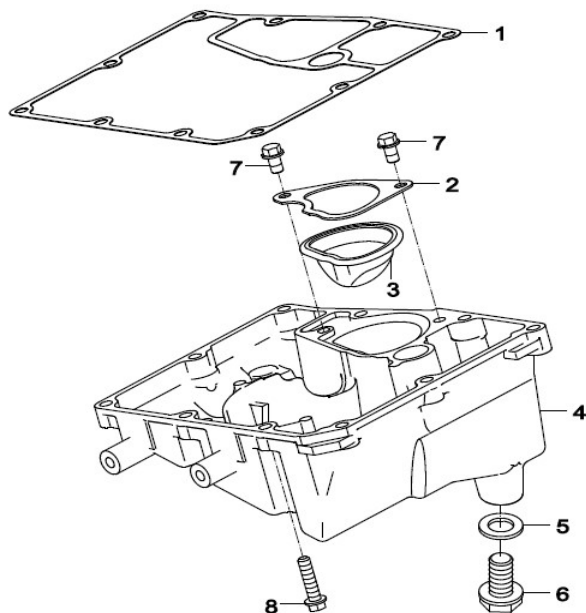
### 右&左侧盖分总成 RIGHT&LEFT SIDE COVER



### E01-3 油底壳分总成 OIL PAN

Item No.	Parts Number	Parts Name(EN)	Parts Name(CN)	Qty	Remark(s)	MOQ	Alternative Parts
01	0700-015004-10000	GASKET, OIL PAN	油底壳垫片_复合材料垫片	1		1	
02	0700-015003	HOLDER, OIL STRAINER	机油粗滤网压板	1		1	
03	0700-015002	OIL STRAINER	机油粗滤网	1		1	
04	0700-015001	OIL PAN	油底壳	1		1	
05	0010-021014	WASHER 12	垫圈12	1		2	
06	0700-015006	DRAIN BOLT, M12x22	放油螺栓_M12x22	1		1	
07	0010-080010-0010	BOLT M6x10	螺栓_M6x10_彩锌三价铬	2		6	
08	0010-021017-0010	BOLT M6x25	螺栓_M6x25_彩锌三价铬	10		6	

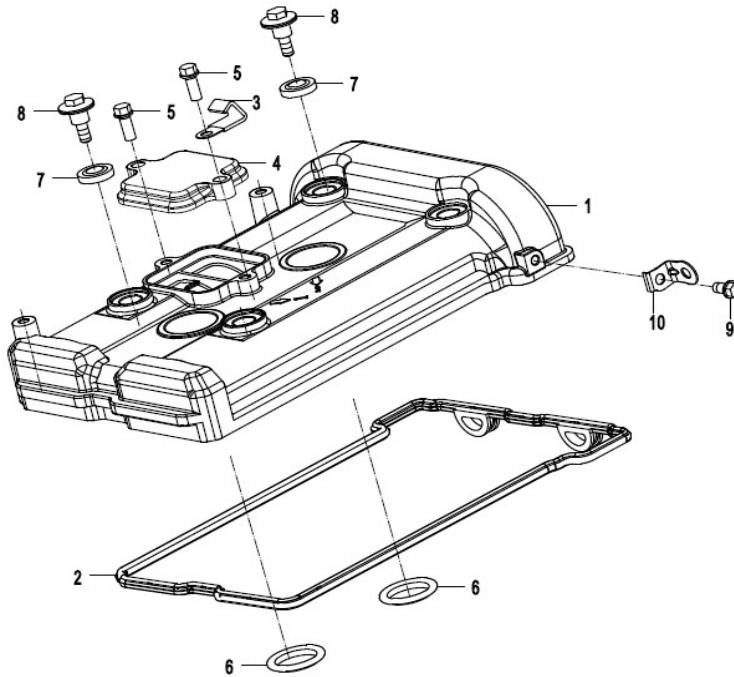
#### E01-3 油底壳分总成/OIL PAN



### E02-1 气缸盖罩分总成 CYLINDER HEAD COVER

Item No.	Parts Number	Parts Name(EN)	Parts Name(CN)	Qty	Remark(s)	MOQ	Alternative Parts
01	0700-021001-2B200	CYLINDER HEAD COVER(MATTE BLACK)	气缸盖罩	1		1	
01	0700-021001-2H700	CYLINDER HEAD COVER(MATTE SILVER GREY)	气缸盖罩 粗银灰	1		1	
02	0700-021400-00010	SEAL RING, CYLINDER HEAD COVER(SHU YAUN MACHINE)	气缸盖罩密封圈_书元机械	1		1	
03	0180-014010	WIRE CLAMP	线夹组合	1		6	
04	0700-021004-0H700	COVER, NON-RETURN VALVE(SILVER GREY)	单向阀盖 粗银灰	1		1	
05	0010-023010-0010	BOLT M6x20	螺栓_M6x20_彩锌三价铬	2		6	
06	0700-021300	SEAL RING, SPARK PLUG HOLE	火花塞孔密封圈	2		1	
07	0700-021200	SEAL RING, CYLINDER HEAD COVER BOLT	气缸盖罩螺栓密封圈	4		4	
08	0700-023003-00001	BOLT M8x43	螺栓_M8x43_彩锌三价铬	4		1	
09	0010-021019-0010	BOLT M6x12	螺栓_M6X12_彩锌三价铬	1		6	
10	0700-021002	BRACKET, CLUTCH CABLE	离合器拉索支架	1		1	

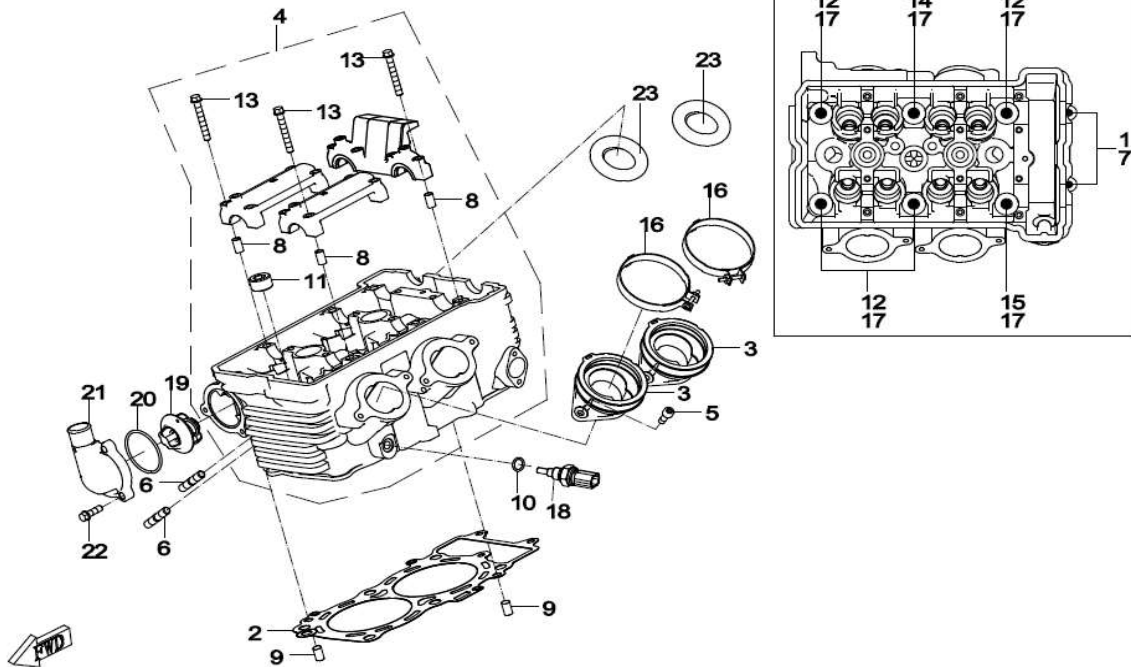
### E02-1 气缸盖罩分总成 CYLINDER HEAD COVER



### E02-2 气缸盖总成 (1) CYLINDER HEAD (1)

Item No.	Parts Number	Parts Name(EN)	Parts Name(CN)	Qty	Remark(s)	MOQ	Alternative Parts
01	0060-030003-0030	INNER HEX SCREW M6x30	内六角圆柱头螺栓_M6×30	2		6	
02	0700-022100-0001	GASKET KIT, CYLINDER HEAD	气缸盖垫片组件_成都天府	1		1	
03	0700-022320-1000	AIR INLET PIPE	进气管组件	2		1	
04	0700-022200-0B20	CYLINDER HEAD ASSY(MATTE BLACK)	气缸盖部件_亚光黑	1		1	
05	30102-060016810	SCREW	螺钉	4		6	
06	0180-022003-00001	STUD M8x42	双头螺栓_M8×42_彩锌三价铬	6		1	
07	0060-030004-0030	WASHER 6x10.4x1.6	垫圈_6×10.4×1.6	2		6	
08	0010-080008	DOWEL PIN Dia 8x14	定位销Φ8X14	6		6	
09	0700-022018	SOLID PIN 8x14	实心销_8×14	2		1	
10	0700-022019	WASHER 12.5x20x1	垫圈_12.5×20×1	1		6	
11	0700-022236	PLUG, PT1/2	锥堵1/2	3		3	
12	0700-022013-00001	BOLT M10x158, CYLINDER HEAD	气缸盖螺栓_M10×158_彩锌三价铬	4		1	
13	0700-022204	HEX FLANGE BOLT M6x45	六角法兰面螺栓_M6×45	12		6	
14	0700-022014-10001	BOLT M10x176, CYLINDER HEAD	气缸盖螺栓_M10×176_彩锌三价铬	1		1	
15	0700-022015-00001	BOLT M10x1.25x80, CYLINDER HEAD	气缸盖螺栓_M10×1.25×80_彩锌三价铬	1		1	
16	0700-022330	CLAMP, AIR INLET PIPE	进气管卡箍组件	2		2	
17	0700-022016	WASHER 10.5x19x2.3	垫圈_10.5×19×2.3	6		1	
18	018B-022810	WATER TEMPERATURE SENSOR	水温传感器	1		1	
19	0700-022500-0001	THERMOSTAT	调温器_带72标记	1		1	
20	0700-022011	O-SEAL RING 44.5x2.5	O形密封圈_44.5×2.5	1		2	
21	0700-022009-0B20	THERMOSTAT CAP	节温器盖	1		1	
22	0010-023010-0010	BOLT M6x20	螺栓_M6×20_彩锌三价铬	3		6	
23	0700-022012	GASKET, EXHAUST PIPE	排气管衬垫	2		1	

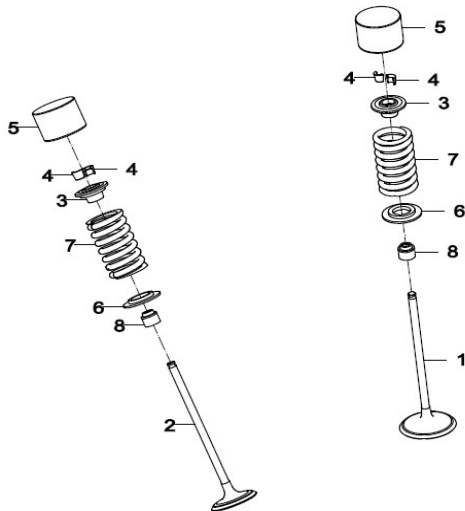
**E02-2 气缸盖总成(1)/CYLINDER HEAD(1)**



E02-3 气缸盖总成(2) CYLINDER HEAD (2)

Item No.	Parts Number	Parts Name(EN)	Parts Name(CN)	Qty	Remark(s)	MOQ	Alternative Parts
01	0700-022001-20000	INTAKE VALVE	进气门	4		1	
02	0700-022002-20000	EXHAUST VALVE	排气门	4		1	
03	0700-022003	UPPER SEAT, VALVE SPRING	气门弹簧上座	8		1	
04	0700-022004	LOCK CLIP, VALVE	气门锁夹	8		1	
05	0700-022005-0540	TAPPET t=4.28	挺柱 t=4.28	2		1	
05	0700-022005-0530	TAPPET t=4.26	挺柱 t=4.26	2		1	
05	0700-022005-0520	TAPPET t=4.24	挺柱 t=4.24	2		1	
05	0700-022005-0510	TAPPET t=4.22	挺柱 t=4.22	2		1	
05	0700-022005-0500	TAPPET t=4.20	挺柱 t=4.20	2		1	
05	0700-022005-0490	TAPPET t=4.18	挺柱 t=4.18	2		1	
05	0700-022005-0480	TAPPET t=4.16	挺柱 t=4.16	2		1	
05	0700-022005-0470	TAPPET t=4.14	挺柱 t=4.14	2		1	
05	0700-022005-0460	TAPPET t=4.12	挺柱 t=4.12	2		1	
05	0700-022005-0450	TAPPET t=4.10	挺柱 t=4.10	2		1	
05	0700-022005-0440	TAPPET t=4.08	挺柱 t=4.08	2		1	
05	0700-022005-0430	TAPPET t=4.06	挺柱 t=4.06	2		1	
05	0700-022005-0420	TAPPET t=4.04	挺柱 t=4.04	2		1	
05	0700-022005-0410	TAPPET t=4.02	挺柱 t=4.02	2		1	
05	0700-022005-0400	TAPPET t=4.00	挺柱 t=4.00	2		1	
05	0700-022005-0390	TAPPET t=3.98	挺柱 t=3.98	2		1	
05	0700-022005-0380	TAPPET t=3.96	挺柱 t=3.96	2		1	
05	0700-022005-0370	TAPPET t=3.94	挺柱 t=3.94	2		1	
05	0700-022005-0360	TAPPET t=3.92	挺柱 t=3.92	2		1	
05	0700-022005-0350	TAPPET t=3.90	挺柱 t=3.90	2		1	
05	0700-022005-0340	TAPPET t=3.88	挺柱 t=3.88	2		1	
05	0700-022005-0330	TAPPET t=3.86	挺柱 t=3.86	2		1	
05	0700-022005-0320	TAPPET t=3.84	挺柱 t=3.84	2		1	
05	0700-022005-0310	TAPPET t=3.82	挺柱 t=3.82	2		1	
05	0700-022005-0300	TAPPET t=3.80	挺柱 t=3.80	2		1	
05	0700-022005-0290	TAPPET t=3.78	挺柱 t=3.78	2		1	
05	0700-022005-0280	TAPPET t=3.76	挺柱 t=3.76	2		1	
05	0700-022005-0270	TAPPET t=3.74	挺柱 t=3.74	2		1	
05	0700-022005-0260	TAPPET t=3.72	挺柱 t=3.72	2		1	
05	0700-022005-0250	TAPPET t=3.70	挺柱 t=3.70	2		1	
05	0700-022005-0240	TAPPET t=3.68	挺柱 t=3.68	2		1	
05	0700-022005-0230	TAPPET t=3.66	挺柱 t=3.66	2		1	
05	0700-022005-0220	TAPPET t=3.64	挺柱 t=3.64	2		1	
05	0700-022005-0210	TAPPET t=3.62	挺柱 t=3.62	2		1	
05	0700-022005-0200	TAPPET t=3.60	挺柱 t=3.60	2		1	
05	0700-022005-0190	TAPPET t=3.58	挺柱 t=3.58	2		1	
05	0700-022005-0180	TAPPET t=3.56	挺柱 t=3.56	2		1	
05	0700-022005-0170	TAPPET t=3.54	挺柱 t=3.54	2		1	
05	0700-022005-0160	TAPPET t=3.52	挺柱 t=3.52	2		1	
05	0700-022005-0150	TAPPET t=3.50	挺柱 t=3.50	2		1	
05	0700-022005-0140	TAPPET t=3.48	挺柱 t=3.48	2		1	
05	0700-022005-0130	TAPPET t=3.46	挺柱 t=3.46	2		1	
05	0700-022005-0120	TAPPET t=3.44	挺柱 t=3.44	2		1	
06	0700-022006	LOWER SEAT, VALVE SPRING	气门弹簧下座	8		1	
07	0700-022007	SPRING, VALVE	气门弹簧	8		1	
08	0700-022400-1000	SEAL RING, VALVE STEM	气门杆密封圈组件_瑞安泰越	8		2	

E02-3 气缸盖总成(2)/CYLINDER HEAD(2)

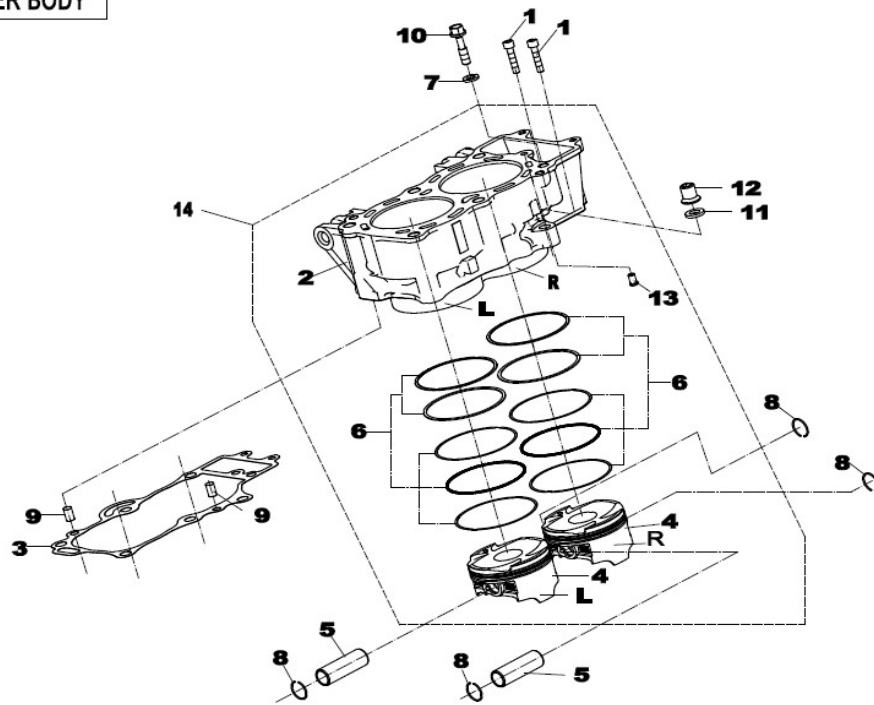




### E02-4 气缸体分总成 CYLINDER BODY

Item No.	Parts Number	Parts Name(EN)	Parts Name(CN)	Qty	Remark(s)	MOQ	Alternative Parts
01	0060-030003-0030	INNER HEX SCREW M6x30	内六角圆柱头螺栓_M6x30	2		6	
02	0700-023001-4B200	CYLINDER BODY(MATTE BLACK)	气缸体_带爆震传感器安装孔	1		1	
03	0700-023002-0001	GASKET, CYLINDER	气缸体垫片_成都天府	1		1	
04	0700-040007-00030	PISTON 3, 82.982 ~ 82.988	活塞_振挺_82.982-82.988标记III	2		1	0700-040007-00031
04	0700-040007-00020	PISTON 2, 82.976 ~ 82.982	活塞_振挺_82.976-82.982标记_II	2		1	0700-040007-00021
04	0700-040007-00010	PISTON 1, 82.970 ~ 82.976	活塞_振挺_82.970-82.976标记_I	2		1	
05	0700-040008	PISTON PIN	活塞销	2		1	
06	0700-0400A0	PISTON RING ASSY	活塞环组合	2		1	
07	0700-023004	WASHER 8.5x15.5x2	垫圈_8.5x15.5x2	1		1	
08	0700-040009	CIRCLIP, PISTON PIN	活塞销挡圈	4		2	
09	0700-022018	SOLID PIN 8x14	实心销_8x14	2		1	
10	0700-023003-00001	BOLT M8x43	螺栓_M8x43_彩锌三价铬	1		1	
11	0700-022016	WASHER 10.5x19x2.3	垫圈_10.5x19x2.3	1		1	
12	0700-011111-00001	NUT M10x1.25	螺母_M10x1.25_彩锌三价铬	1		1	
13	0700-023005	RESTRICTION PLUG	节流塞	1		1	
14	0700-0230A0	PISTON, CYLINDER BODY	气缸体活塞组合	1		1	

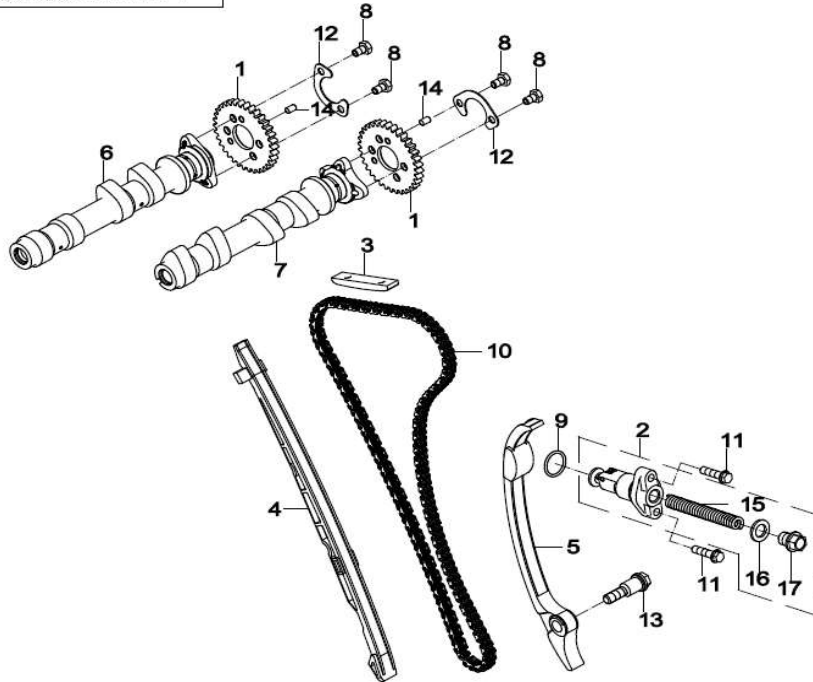
E02-4 气缸体分总成 CYLINDER BODY



### E02-5 配气传动分总成 CAMSHAFT

Item No.	Parts Number	Parts Name(EN)	Parts Name(CN)	Qty	Remark(s)	MOQ	Alternative Parts
01	0700-024002-00030	TIMING SPROCKET	正时链轮_国宾车专用_征和	2		1	
02	0700-024100-0B20	TENSIONER ASSY(MATTE BLACK)	张紧器组件_亚光黑	1		1	0700-024100-10000
02	0700-024100-10000	TENSIONER	张紧器组件	1	Camfollower	1	
03	0700-022017	CHAIN GUIDE BLOCK	导链块	1		1	
04	0700-024006	CHAIN GUIDE	链条导板	1		1	
05	0700-024300	TENSION PLATE ASSY	张紧板组件	1		1	
06	0700-024500	CAMSHAFT, EXHAUST	排气凸轮轴组件	1		1	
07	0700-024400	CAMSHAFT, AIR INLET	进气凸轮轴组件	1		1	
08	30004-060010150	BOLT M6x10	螺栓_GB5783_M6x10_10.9级_黑色氧化	4		6	
09	0700-024001	O-SEAL RING 19x2	O形密封圈_19x2	1		2	
10	0700-024200-00030	TIMING CHAIN	正时链条组件_青岛征和_国宾车专用_征和	1		1	
11	0130-012005-0030	BOLT M6x28	螺栓M6x28	2		6	0010-070003-00001
11	0010-070003-0020	BOLT M6x28	螺栓_M6x28	2		6	0010-070003-00001
12	0700-024003	RETAINER	止动挡片	2		2	
13	0700-024008-00001	PIN SHAFT	螺纹销轴_彩锌三价铬	1		1	
14	30406-00501	ROLLER NEEDLE P5x7.8	滚针P5x7.8_GB/T309	2		1	
15	0700-024104	SPRING, TENSIONER	张紧弹簧	1		1	
16	0700-024106	WASHER 11.5x17x2	垫圈_11.5x17x2	1		1	
17	0700-024107	BOLT, SPRING SEAT	弹簧座螺栓	1		1	

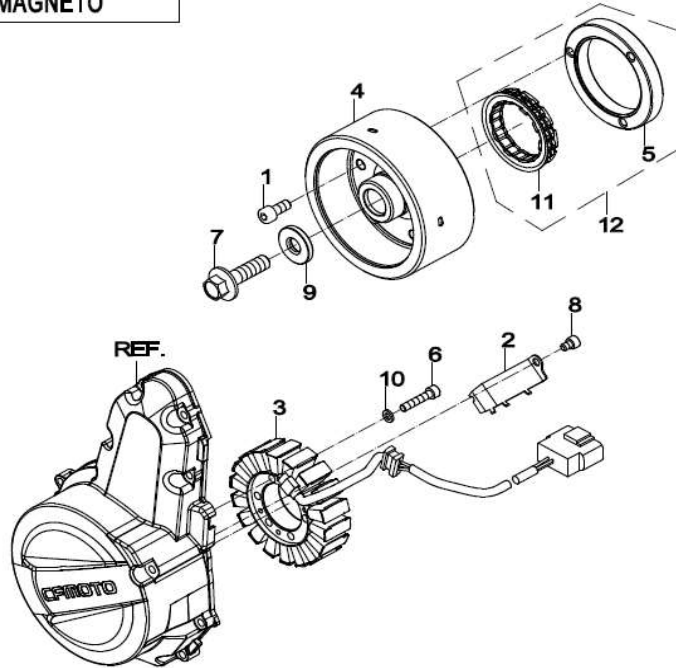
### E02-5 配气传动分总成CAMSHAFT



### E03 磁电机总成 MAGNETO

Item No.	Parts Number	Parts Name(EN)	Parts Name(CN)	Qty	Remark(s)	MOQ	Alternative Parts
01	0110-090009-00001	INNER HEX SCREW M8x18	内六角圆柱头螺钉_M8×18_彩锌三价铬	3		1	
02	0700-030001-00001	PLATE	压线板	1		1	
03	0700-032000-10000	MAGNETO STATOR(SUMITOMO PLUG)	磁电机定子组合_住友导线与左侧盖_-2_-3配套使用	1		1	
04	0700-031000	MAGNETO ROTOR	磁电机转子组合	1		1	
05	0700-091001	COUPLING	单向器座	1		1	
06	0060-030003-0030	INNER HEX SCREW M6x30	内六角圆柱头螺栓_M6×30	3		6	
07	0700-040001	BOLT M12x1.25x45	螺栓_M12×1.25×45	1		1	
08	0010-090006-0050	SCREW M6x12 Black oxidation	螺钉_M6×12	1		6	0010-090006-0010
09	0700-040002-00001	WASHER 12.5x33x5	垫圈_12.5×33×5	1		1	
10	0060-030004-0030	WASHER 6x10.4x1.6	垫圈_6×10.4×1.6	3		6	
11	0700-091200	CLUTCH, ONE-WAY	单向器组件	1		1	
12	0700-091000	OVERRIDING CLUTCH	超越离合器组件	1		1	

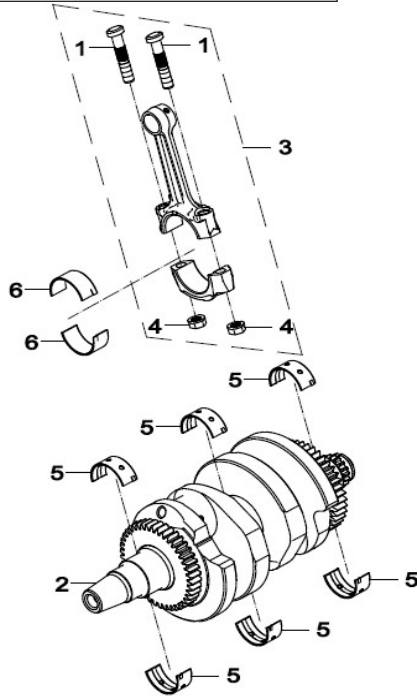
### E03 磁电机总成/MAGNETO



E04-1-V1 曲轴连杆总成 (1) CRANKSHAFT &CONNECTING ROD (1)

Item No.	Parts Number	Parts Name(EN)	Parts Name(CN)	Qty	Remark(s)	MOQ	Alternative Parts
01	0700-041203	BOLT, CONNECTING ROD	连杆螺栓	4		2	
02	0700-041100-0001	CRANKSHAFT ASSY	曲轴组合	1		1	
03	0700-041200-20021	CONNECTING ROD	连杆组合 分组标记为2 对应尺寸为φ41.009~φ41.016	2		1	
04	0700-041200-20011	CONNECTING ROD	连杆组合江苏舜阳 (42CrMO).	2		1	
04	0700-041204	NUT, CONNECTING ROD	连杆螺母	4		2	
05	0700-011003-0002	PLAIN BEARING, MAIN(BLUE)	主轴瓦 兰色	6		2	
05	0700-011003-0001	PLAIN BEARING, MAIN(BLACK)	主轴瓦 黑色	6		2	
06	0700-041001-10020	PLAIN BEARING, CONNECTING ROD(GREEN:1.500-1.505)	连杆轴瓦 绿色1.500-1.505	4		1	
06	0700-041001-10010	PLAIN BEARING, CONNECTING ROD(BLUE:1.495-1.500)	连杆轴瓦 兰色1.495-1.500	4		1	
06	0700-041001-10030	PLAIN BEARING, CONNECTING ROD(BLACK:1.490-1.495)	连杆轴瓦 黑色 1.490~1.495	4		1	

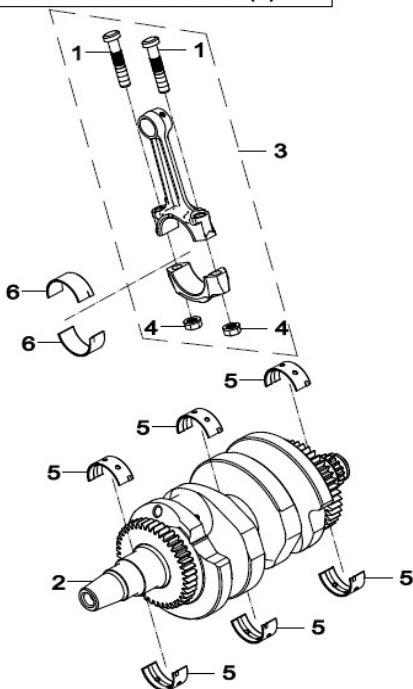
E04-1 曲轴连杆总成(1)/CRANKSHAFT &CONNECTING ROD(1)



### E04-1-V2 曲轴连杆总成 (1) CRANKSHAFT &CONNECTING ROD (1)

Item No.	Parts Number	Parts Name(EN)	Parts Name(CN)	Qty	Remark(s)	MOQ	Alternative Parts
01	0700-041203-10000	BOLT, CONNECTING RID	连杆螺栓	4		2	
02	0700-041100-10000	CRANKSHAFT ASSY	曲轴组合	1		1	
03	0700-041200-40000	CONNECTING ROD	连杆组合	2		2	
04	0700-041204	NUT, CONNECTING ROD	连杆螺母	4		2	
05	0700-011003-0002	PLAIN BEARING, MAIN (BLUE)	主轴瓦_兰色	6		2	
05	0700-011003-0001	PLAIN BEARING, MAIN(BLACK)	主轴瓦_黑色	6		2	
06	0700-041001-30000	PLAIN BEARING, CONNECTING ROD	连杆轴瓦_新铝基瓦	4		1	
06	0700-041001-30020	PLAIN BEARING, CONNECTING ROD	连杆轴瓦_兰色1.488~1.491	4		1	
06	0700-041001-30010	PLAIN BEARING, CONNECTING ROD	连杆轴瓦_黑色1.485~1.488	4		1	
06	0700-041001-30030	PLAIN BEARING, CONNECTING ROD	连杆轴瓦_绿色1.491~1.494	4		1	
06	0700-041001-30040	PLAIN BEARING, CONNECTING ROD	连杆轴瓦_黄色1.494~1.497	4		1	
06	0700-041001-30050	PLAIN BEARING, CONNECTING ROD	连杆轴瓦_红色1.497~1.500	4		1	

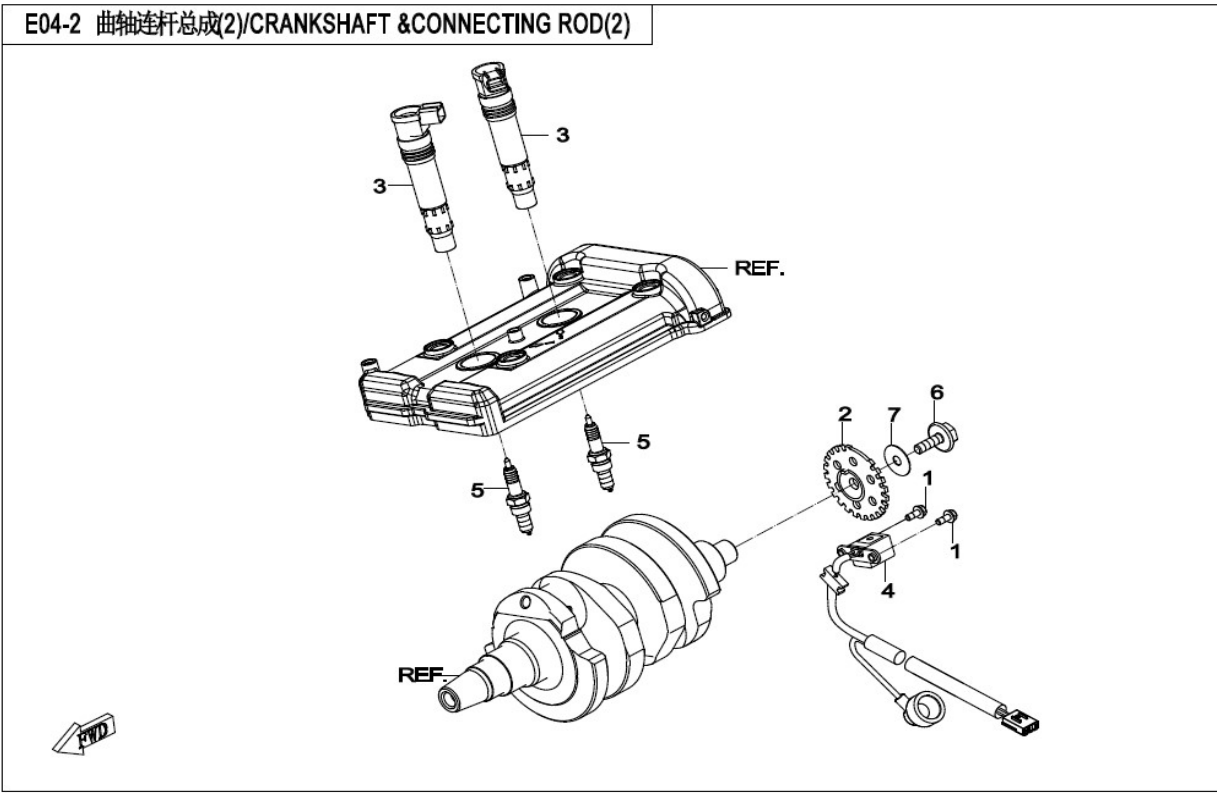
#### E04-1 曲轴连杆总成(1)/CRANKSHAFT &CONNECTING ROD(1)



E04-2 曲轴连杆总成 (2) CRANKSHAFT &CONNECTING ROD (2)

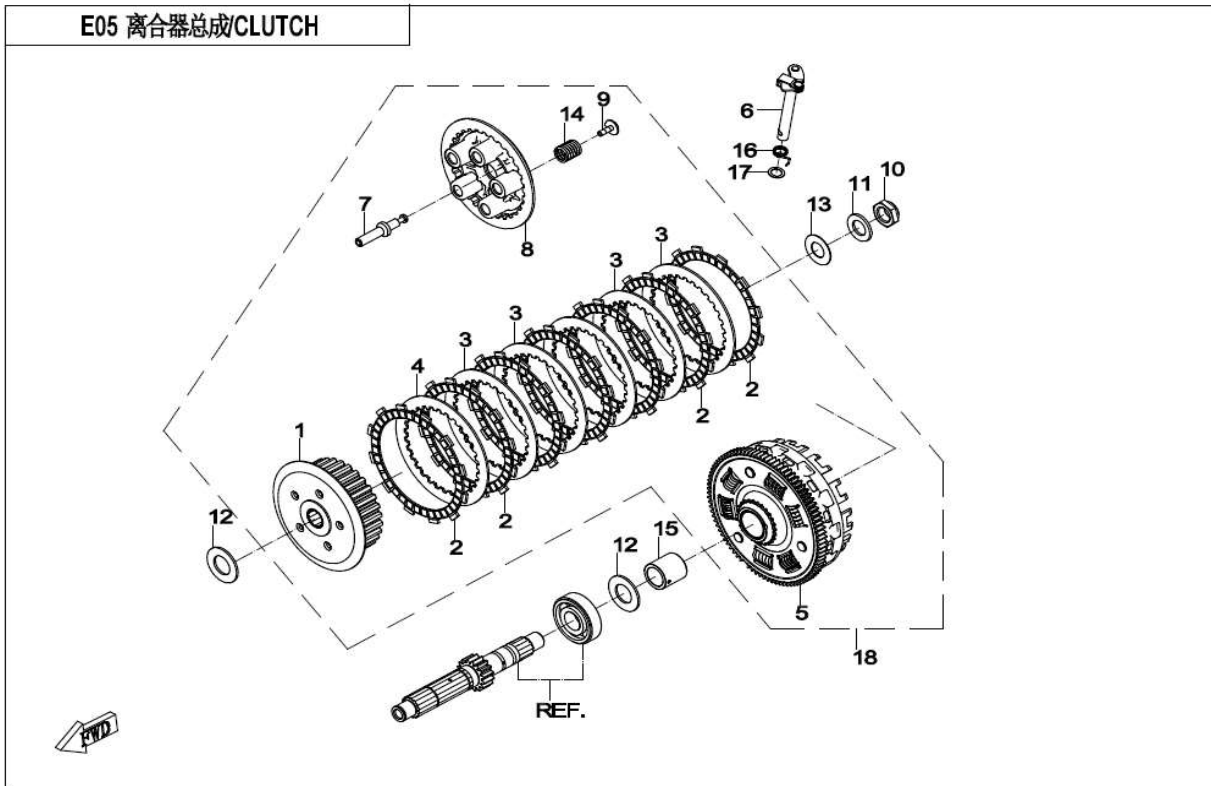
Item No.	Parts Number	Parts Name(EN)	Parts Name(CN)	Qty	Remark(s)	MOQ	Alternative Parts
01	0700-012013-00001	BOLT M5x12	螺栓_M5x12_彩锌三价铬	2		1	
02	0700-040005-10000	PULSING ROTOR, CRANKCASE	曲轴转速触发盘	1		1	
03	0700-040005	PULSING ROTOR, CRANKCASE	曲轴转速触发盘	1		1	0700-040005-10000
04	0700-178000	IGNITION COIL	点火线圈	2		1	
05	0700-012400-00001	PICK UP ASSY	触发器组件_住友导线	1		1	
06	0700-170200	SPARK PLUG	火花塞组件	2		1	
07	0700-040003	BOLT M8x23	螺栓_M8x23	1		6	
07	0700-040004	WASHER 8.5x28x0.8	垫圈_8.5x28x0.8	1		1	

E04-2 曲轴连杆总成(2)/CRANKSHAFT &CONNECTING ROD(2)



### E05 离合器总成 CLUTCH

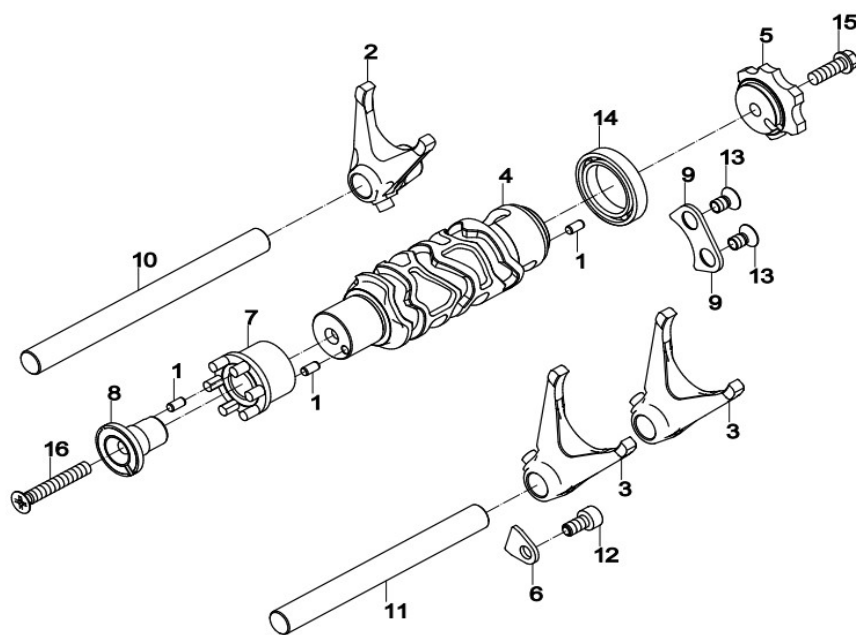
Item No.	Parts Number	Parts Name(EN)	Parts Name(CN)	Qty	Remark(s)	MOQ	Alternative Parts
01	0700-050100	CENTRAL SLEEVE	中心套组件	1		1	
02	0700-050200	FRICTION PLATE	摩擦片组件	7		7	
03	0700-050001	STEEL PLATE B t=2.5	钢片B	5		1	
04	0700-050005	STEEL PLATE A t=2.0	钢片A	1		1	
05	0700-051000	HOUSING ASSY	外罩组合	1		1	
06	0700-013200-1000	CONTROL SHAFT, CLUTCH	离合控制轴组件	1		1	0700-013200-20000
06	0700-013200-20000	CONTROL SHAFT, CLUTCH	离合控制轴组件	1		1	
07	0700-050004	TIE-ROD	拉杆	1		1	
08	0700-0500B0	OPERATING PAD, CLUTCH	压盘合件	1		1	
09	0700-050300	BOLT M6x20	螺栓组合件_M6x20	5		6	
10	0700-061002-00001	NUT	螺母_彩锌三价铬	1		1	
11	0700-061003	CIRCLIP 20	弹性垫圈20	1		1	
12	0700-061005	WASHER 25.5x47x2.5	垫圈25.5x47x2.5	2		1	
13	0A70-011007	WASHER 20x40x1	垫圈_20x40x1	1		6	
14	0700-050002	PRESS SPRING	压簧	5		1	
15	0700-061004-00010	AXLE SLEEVE, CLUTCH	离合器轴套_常州苏特	1		1	
16	0700-013006	RELEASE SPRING, CLUTCH	离合操纵杆回位扭簧	1		1	0700-013006-10000
16	0700-013006-00001	RETURN SPRING, CLUTCH CONTROL LEVER	离合操纵杆回位扭簧	1		6	0700-013006-10000
17	0700-013007	WASHER 12.5x18.5x0.6	垫圈_12.5x18.5x0.6	1		1	0700-013007-10000
18	0700-050000-00010	CLUTCH ASSY GROUP A	离合器总成_标记A	1		1	
18	0700-050000-00020	CLUTCH ASSY GROUP B	离合器总成_标记B	1		1	



### E06-1 换挡变速总成(1) TRANSMISSION SYSTEM(1)

Item No.	Parts Number	Parts Name(EN)	Parts Name(CN)	Qty	Remark(s)	MOQ	Alternative Parts
01	30406-00401	ROLLER NEEDLE P4x7.8	滚针P4x7.8_GB309 P4x7.8	3		3	
02	0700-060004-1000	FORK, MAIN SHAFT	主轴拨叉 聚兴	1		1	
03	0700-060002-1000	SHIFT FORK, COUNTERSHAFT	副轴拨叉 聚兴	2		1	
04	0700-063001-1000	DRUM, GEARSHIFT	变档鼓 聚兴	1		1	
05	0700-063002	CAM, GEARSHIFT DRUM	定位星轮	1		1	
06	0700-066008	PLATE 2	挡板2	1		1	
07	0700-063003-00001	SHIFT LOCATION DRUM	拨轮	1		1	
08	0700-063100-30001	GEAR SENSOR	档位传感器	1		1	
09	0700-066009	PLATE 3	挡板3	1		1	
10	0700-060003	FORK SHAFT, MAIN SHAFT	主轴拨叉轴	1		1	
11	0700-060001	SHIFT FORK, COUNTERSHAFT	副轴拨叉轴	1		1	
12	0010-090006-0050	SCREW M6x12 Black oxidation	螺钉_M6x12	1		6	0010-090006-0010
13	0700-066010	SCREW, BEARING HOLDER	轴承压板螺钉	2		2	
14	30400-02504	BEARING	深沟球轴承_GB276 61805	1		1	
15	0010-023008-0010	BOLT M6x18	螺栓_M6x18_彩锌三价铬	1		6	
16	30128-060040830	SCREW M6x40-H	螺钉_M6x40-H_GB819.2 M6x40-H	1		6	

### E06-1 换挡变速总成(1)/TRANSMISSION SYSTEM(1)

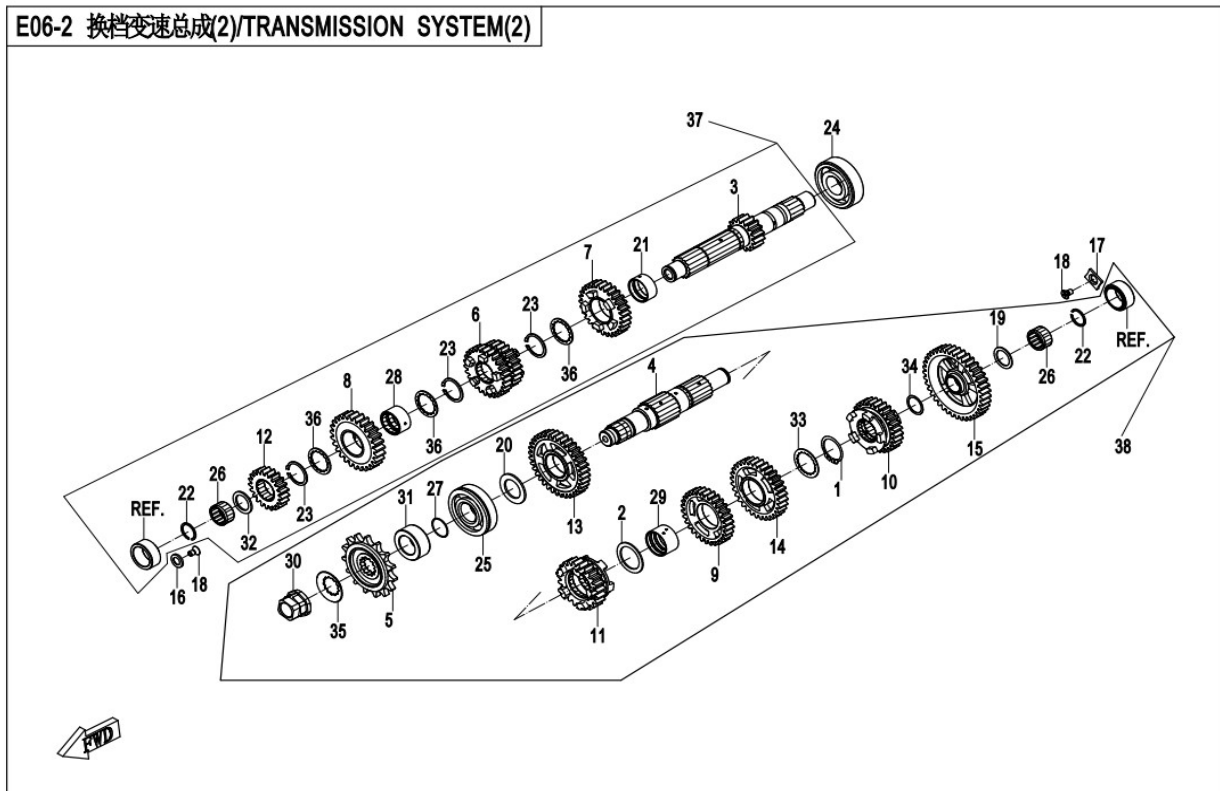




E06-2 换挡变速总成(2) TRANSMISSION SYSTEM(2)

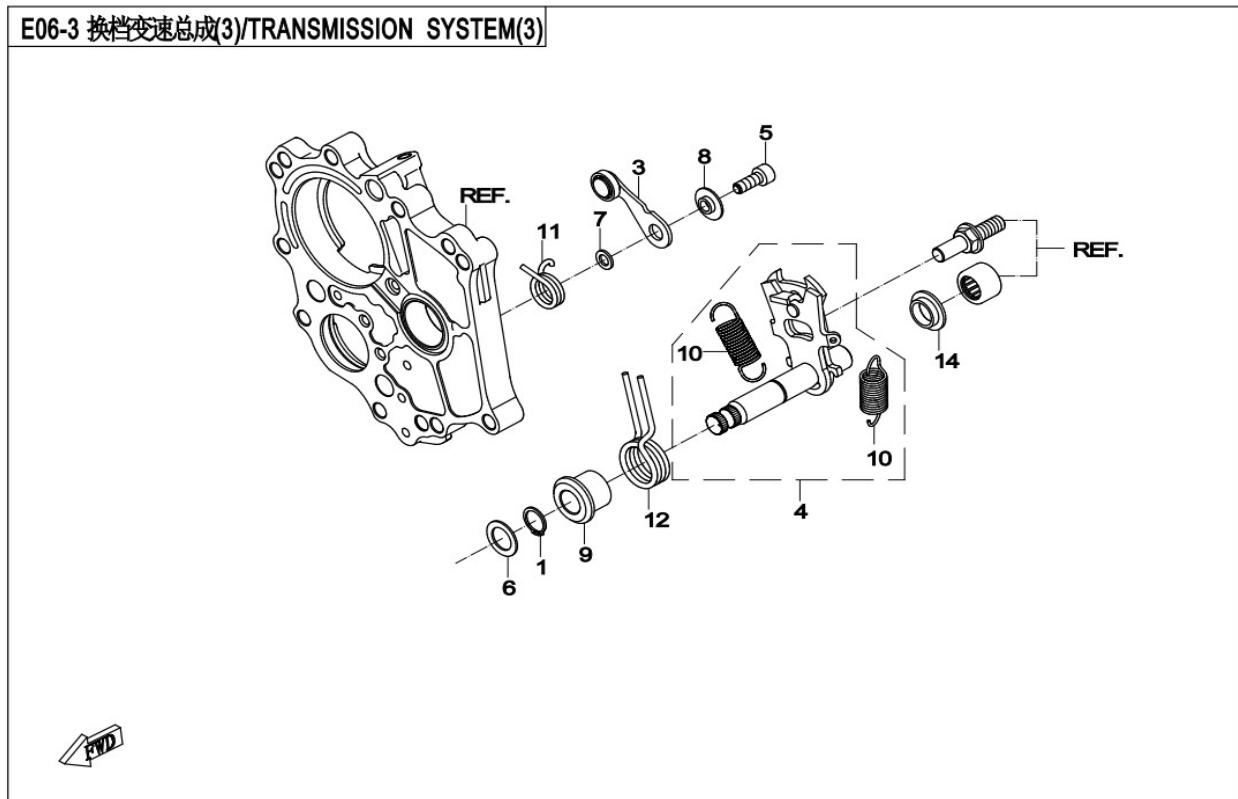
Item No.	Parts Number	Parts Name(EN)	Parts Name(CN)	Qty	Remark(s)	MOQ	Alternative Parts
01	30801-03005	CIRCLIP30 S=1.5	挡圈30S=1.5_GB894.130 S=1.5	1		1	
02	0700-062009	WASHER 30x38.5x1.5	垫圈_30x38.5x1.5	1		1	
03	0700-061001-1000	MAIN SHAFT 1-3 GEAR	主轴_秋田	1		1	
04	0700-062001-1000	COUNTERSHAFT 1-3 GEAR	副轴_秋田	1		1	
05	0700-062030	SPROCKET, OUTPUT	输出链轮组件	1		1	
06	0700-061011-1000	DRIVE GEAR, 3RD AND 4TH SPEED 1-3 GEAR	主动齿轮_3-4档_秋田	1	A=1→A=3	1	
07	0700-061007-1000	DRIVE GEAR, 5TH SPEED 29	主动齿轮(5档)_秋田	1	A=1→A=3	1	
08	0700-061013-1000	DRIVE GEAR, 6TH SPEED 27	主动齿轮6_档_秋田	1	A=1→A=3	1	
09	0700-062008-1000	DRIVEN GEAR, 4TH SPEED 30	从动齿轮_4档_秋田	1	A=1→A=3	1	
10	0700-062004-1000	DRIVEN GEAR, 5TH SPEED 28	从动齿轮_5档_秋田	1	A=1→A=3	1	
11	0700-062011-1000	DRIVEN GEAR, 6TH SPEED 23	从动齿轮6_档_秋田	1	A=1→A=3	1	
12	0700-061014-1000	DRIVE GEAR, 2ND SPEED 1-3 GEAR	主动齿轮2_档_秋田	1	A=1→A=3	1	
13	0700-062200-1000	DRIVEN GEAR, 2ND SPEED 1-3 GEAR	从动齿轮_2档分部件_秋田	1	A=1→A=3	1	
14	0700-062006-1000	DRIVEN GEAR, 3RD SPEED 32	从动齿轮_3档_秋田	1	A=1→A=3	1	
15	0700-062100-1000	DRIVEN GEAR, 1ST SPEED 1-3 GEAR	从动齿轮_1档分部件_秋田	1	A=1→A=3	1	
16	0700-011108	PRESS TOOL, SHAFT SLEEVE	轴套压板	1		1	
17	0700-066003	PLATE 1	挡板1	1		1	
18	0180-014009-00001	SCREW, PRESS PLATE	油封压板螺钉_彩锌三价铬	2		1	
19	0700-062002	WASHER 20.4x28x1.2	垫圈_20.4x28x1.2	1		1	
20	0700-062012	WASHER 25x39x2	垫圈_25x39x2	1		1	
21	0700-061006	BUSHING 28x14	轴承套_28x14	1		1	
22	0700-061016	CIRCLIPS FOR SHAFT20	轴用挡圈20	2		6	
23	0700-061009	CIRCLIPS FOR SHAFT28	轴用挡圈28	3		6	
24	0700-066002	BEARING 25x62x17	轴承_25x62x17	1		1	
25	0700-010100	BEARING 25x62x17, COUNTERSHAFT	副轴轴承_25x62x17	1		1	
26	30499-02004	NEEDLE BEARING KMJ20x26x13.8x1S	滚针轴承_20x26x13.8x1S	2		1	
27	0800-062205	O-SEAL RING 25x2	O形密封圈_25x2	1		2	
28	0700-061012	BUSHING 28x14.7	轴承套_28x14.7	1		1	
29	0700-062007	BUSHING 29.65	轴承套_29.65	1		1	
30	0700-062016	NUT, COUNTER PULSE	计数脉冲螺母	1		1	
31	0700-062013-1000	COLLAR, COUNTERSHAFT(CHANG ZHOU SU TE)	副轴轴套_常州苏特	1		1	
32	0180-061012	GASKET 20.5x30x1.5	垫片_20.5x30x1.5	1		1	
33	0700-062005	WASHER	花键垫圈	1		1	
34	0700-062003	WASHER 20.4x25x0.5	垫圈_20.4x25x0.5	1		1	
35	0700-062015	WASHER	防松垫圈	1		1	
36	0700-061008	WASHER	花键垫圈	3		3	
37	0700-061000-10000	MAIN SHAFT ASSY	主轴部件	1		1	
38	0700-062000-1000	COUNTERSHAFT	副轴部件	1		1	

E06-2 换挡变速总成(2)/TRANSMISSION SYSTEM(2)



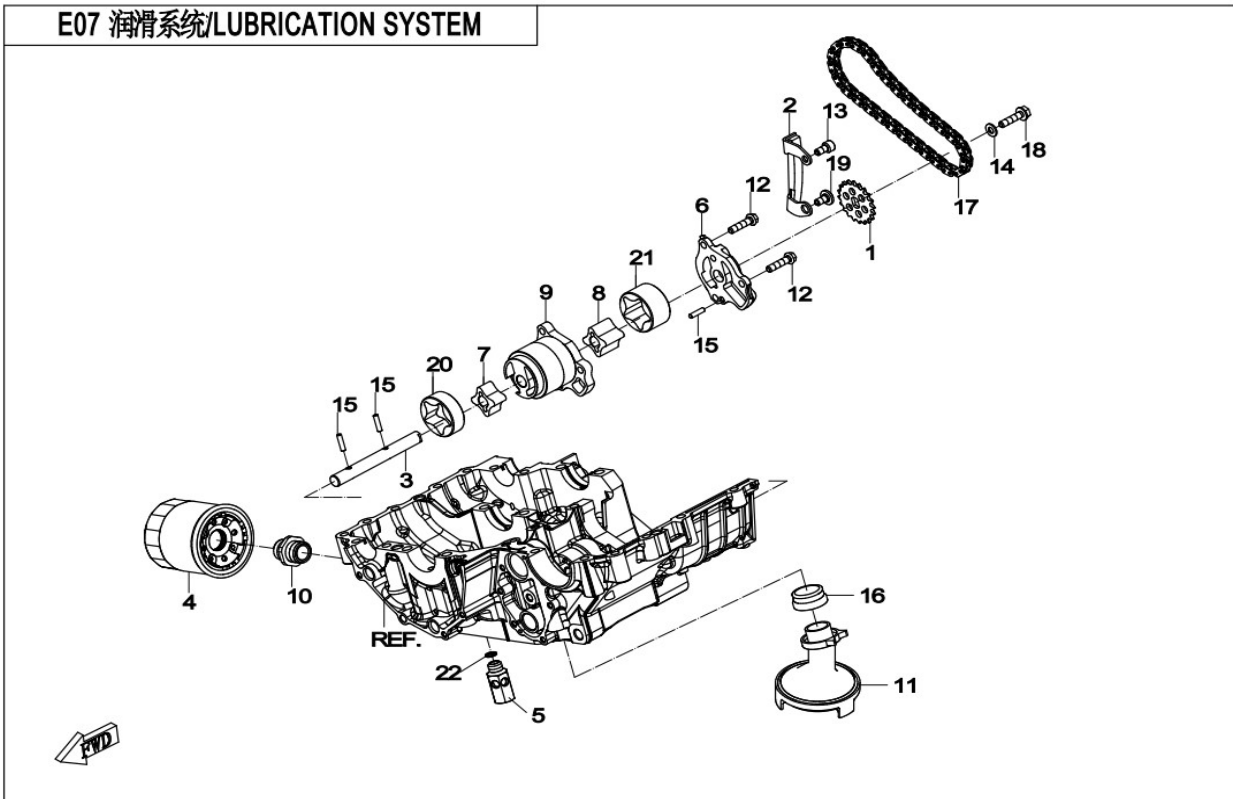
### E06-3 换挡变速总成(3) TRANSMISSION SYSTEM(3)

Item No.	Parts Number	Parts Name(EN)	Parts Name(CN)	Qty	Remark(s)	MOQ	Alternative Parts
01	30801-01305	CIRCLIP13	挡圈13_GB894.1 13	1		1	
03	0700-064100	SWING ARM, GEARSHIFT	换挡定位摇臂分部件	1		1	
04	0700-0651A0	SHAFT, GEARSHIFT	换挡轴合件	1		1	
05	30102-060016810	SCREW	螺钉	1		6	
06	0700-065101-1000	WASHER 13.2x20x1.5	垫圈 13.2×20×1.5	1		1	
07	0700-064001	WASHER 6.3x16.3x1.2	垫圈 6.3×16.3×1.2	1		1	
08	0700-064003	SLEEVE, SWING ARM, GEARSHIFT	换挡定位摇臂轴套	1		1	
09	0700-065102	SHAFT SLEEVE	轴套	1		1	
10	0700-065107	SPRING, SWING ARM, GEARSHIFT	换挡摇臂拉簧	2		1	
11	0700-064002	SPRING, SWING ARM, GEARSHIFT	换挡定位摇臂扭簧	1		1	
12	0700-065103	RETURN SPRING, GEARSHIFT	换挡摇臂回位扭簧	1		1	0700-065103-10000
12	0700-065103-10000	RETURN SPRING, GEARSHIFT	换挡摇臂回位扭簧	1		1	
14	0700-065106	BUSHING 13	衬套13	1		1	



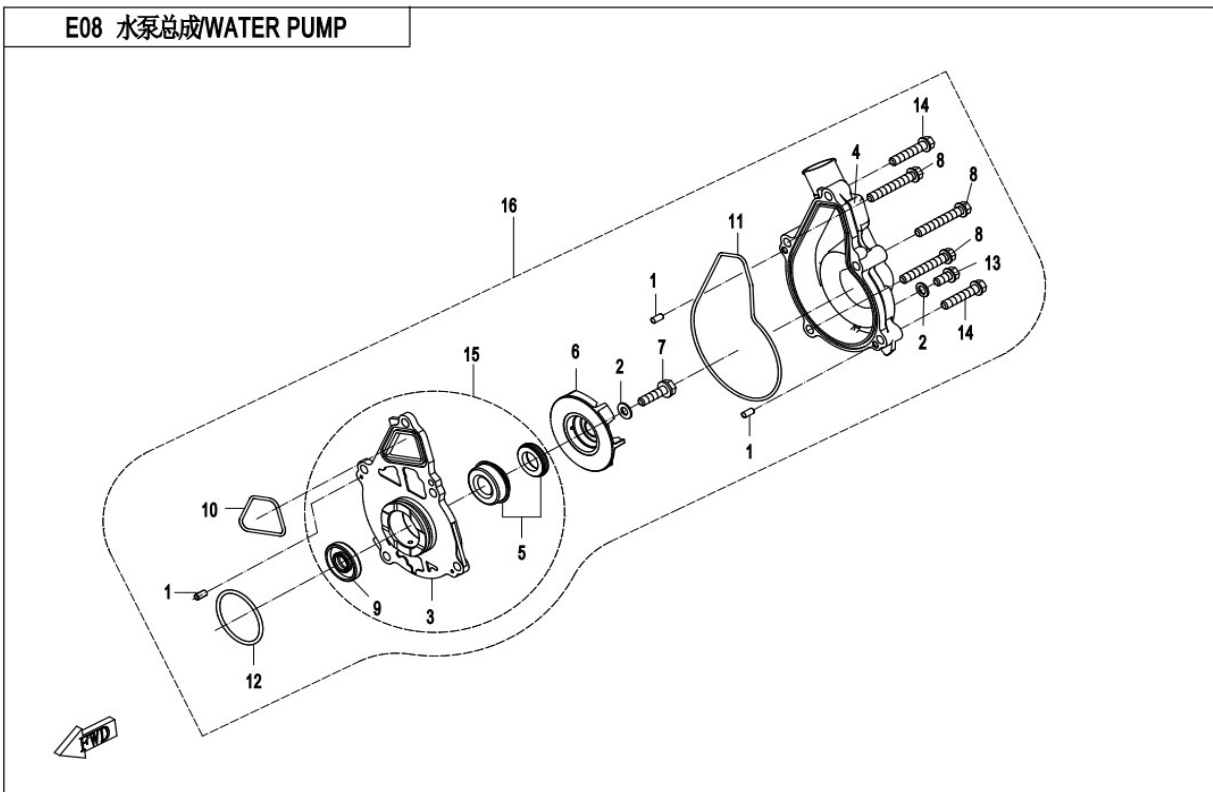
### E07 润滑系统 LUBRICATION SYSTEM

Item No.	Parts Number	Parts Name(EN)	Parts Name(CN)	Qty	Remark(s)	MOQ	Alternative Parts
01	0700-070004	SPROCKET, OIL PUMP(HUZHOU SHUANGSHI)	机油泵链轮	1		1	
02	0700-070400	CHAIN GUIDE, OIL PUMP	机油泵链条导板组件	1		1	
03	0700-071001	SHAFT, OIL PUMP	机油泵轴	1		1	
04	0700-070200	OIL FILTER	机油滤清器总成	1		1	
05	0700-012600-1000	RELIEF VALVE, OIL	机油限压阀组件	1		1	
06	0700-071006	COVER, OIL PUMP	机油泵盖	1		1	
07	0700-071004	INNER ROTOR, MAIN OIL PUMP	主机油泵内转子	1		1	
08	0700-071008	INNER ROTOR, AUXILIARY OIL PUMP	副机油泵内转子	1		1	
09	0700-071002	OIL PUMP	机油泵体	1		1	
10	0700-012106-00001	BOLT, OIL FILTER	机油滤安装螺栓_彩锌三价铬	2		1	
11	0700-070110	OIL SUCTION PAN ASSY	吸油盘合件	1		1	
12	0010-021017-0010	BOLT M6x25	螺栓_M6×25_彩锌三价铬	3		6	
13	0010-090006-0050	SCREW M6x12 Black oxidation	螺钉_M6×12	1		6	0010-090006-0010
14	0700-064001	WASHER 6.3x16.3x1.2	垫圈_6.3×16.3×1.2	1		1	
15	30406-00400	ROLLER NEEDLE P4x15.8	滚针	3		6	
16	0700-070101	GASKET, OIL SUCTION PAN	吸油盘密封圈	1		1	
17	0700-070500	CHAIN, OIL PUMP(HUZHOU SHUANGSHI)	机油泵链条组件	1		1	
18	0700-070005	BOLT M6x20,LEFT-HAND THREAD	螺栓_M6×20_左	1		1	
19	0700-070002	SCREW M6x9	螺钉_M6×9	1		1	
20	0700-071003	OUTER ROTOR, MAIN OIL PUMP	主机油泵外转子	1		1	
21	0700-071007	OUTER ROTOR, AUXILIARY OIL PUMP	副机油泵外转子	1		1	
22	0700-012701	O-SEAL RING 10x2	O型密封圈10×2	1		2	



### E08 水泵总成 WATER PUMP

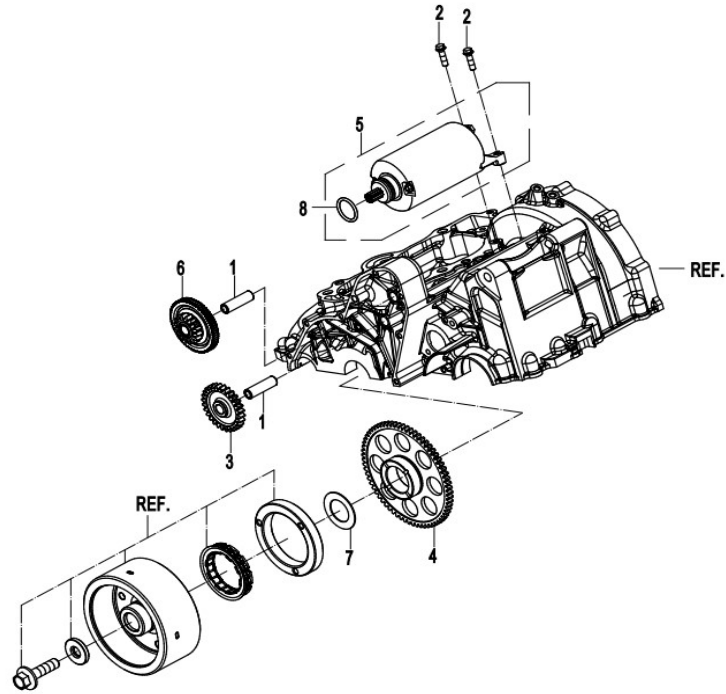
Item No.	Parts Number	Parts Name(EN)	Parts Name(CN)	Qty	Remark(s)	MOQ	Alternative Parts
01	30406-00401	ROLLER NEEDLE P4x7.8	滚针P4×7.8_GB309 P4×7.8	3		3	
02	0010-080011	WASHER 6x12x1	垫圈_6×12×1	2		6	
03	0700-081001-1B200	WATER PUMP BODY(MATTE BLACK)	水泵体	1		1	
04	0700-080001-0B20	WATER PUMP COVER(MATTE BLACK)	水泵盖	1		1	0700-080001-0B210
04	0700-080001-0H700	WATER PUMP COVER(SILVER GREY)	水泵盖_粗银灰(亚光)	1		1	
05	0010-081000-0002	WATER SEAL ASSY NSO:10604	水封组件_NSO:10604	1		1	0700-081200
05	0700-081200	WATER SEAL ASSY	水封组件	1		1	
06	0700-080003	IMPELLER, WATER PUMP	水泵叶轮	1		1	0700-080003-00001
07	0010-080013-0010	BOLT M6x22	螺栓_M6×22_彩锌三价铬	1		6	
08	0010-013009-0010	BOLT M6x40	螺栓_M6×40_彩锌三价铬	3		6	
09	0700-081100	OIL SEAL 12x32x5.5	油封_12×32×5.5	1		1	
10	0700-081002	SEAL RING, WATER PUMP HOUSING	水泵体密封圈	1		1	
11	0700-080002	SEAL RING, WATER PUMP COVER	水泵盖密封圈	1		1	
12	0180-080002	O-RING 34x2.5	O形圈_34×2.5	1		2	
13	0010-021019-0010	BOLT M6x12	螺栓_M6×12_彩锌三价铬	1		6	
14	0010-060012-0010	BOLT M6x30	螺栓_M6×30_彩锌三价铬	2		6	
15	0700-0810A0	WATER PUMP BODY	水泵体组合	1		1	
16	0700-0800A0-1B200	WATER PUMP ASSY(MATTE BLACK)	水泵组合_亚光黑	1		1	
16	0700-0800A0-0H700	WATER PUMP ASSY(SILVER GREY)	水泵组合_粗银灰	1		1	



### E09 启动系统 STARTING SYSTEM

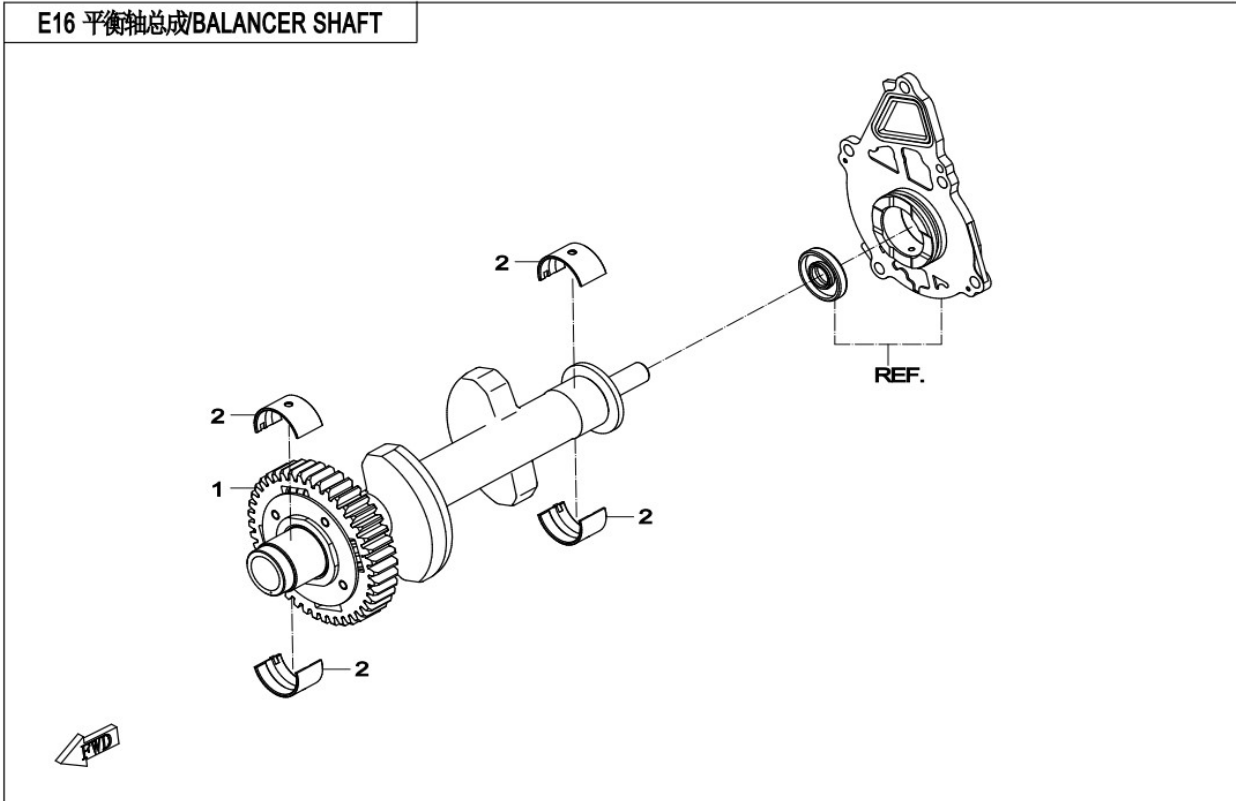
Item No.	Parts Number	Parts Name(EN)	Parts Name(CN)	Qty	Remark(s)	MOQ	Alternative Parts
01	0700-090003	SHAFT, MIDDLE GEAR	中间齿轮轴	2		1	
02	0010-080013-0010	BOLT M6x22	螺栓_M6x22_彩锌三价铬	2		6	
03	0700-090002	STARTING GEAR	起动中间齿轮	1		1	
04	0700-094000-10000	GEAR, STARTING MOTOR	起动大齿轮组件	1		1	0700-094000-10001
05	0700-093000	STARTING MOTOR	起动电机组件	1		1	0HU0-093000
06	0700-090004	DUAL GEAR	双联齿轮	1		1	0700-092000-0001
06	0700-092000-0001	DUAL GEAR 1-3 GEAR	双联齿轮组件	1		1	
07	0700-090001	WASHER 29.2x48x1.2	垫圈_29.2x48x1.2	1		1	
08	0700-093101	O-SEAL RING 24.7x3.10	O形密封圈_24.7x3.10	1		2	

### E09 启动系统 STARTING SYSTEM



### E16 平衡轴总成 BALANCER SHAFT

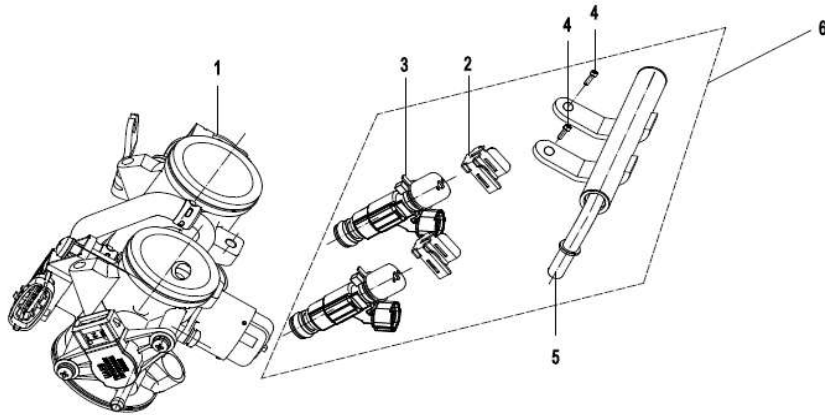
Item No.	Parts Number	Parts Name(EN)	Parts Name(CN)	Qty	Remark(s)	MOQ	Alternative Parts
01	0700-160000-20010	BALANCE SHAFT ASSY	平衡轴总成	1		1	
01	0700-160000-20020	BALANCE SHAFT ASSY	平衡轴总成	1		1	
02	0700-011004-0002	PLAIN BEARING, BALANCE SHAFT(BLUE)	平衡轴瓦_兰的	4		2	
02	0700-011004-0001	PLAIN BEARING, BALANCE SHAFT(BLACK)	平衡轴瓦_黑色	4		2	
02	0700-011004	PLAIN BEARING, BALANCE SHAFT(BROWN)	平衡轴瓦_褐色	4		2	



### E17 节气门阀体和喷油器 THROTTLE&INJECTOR

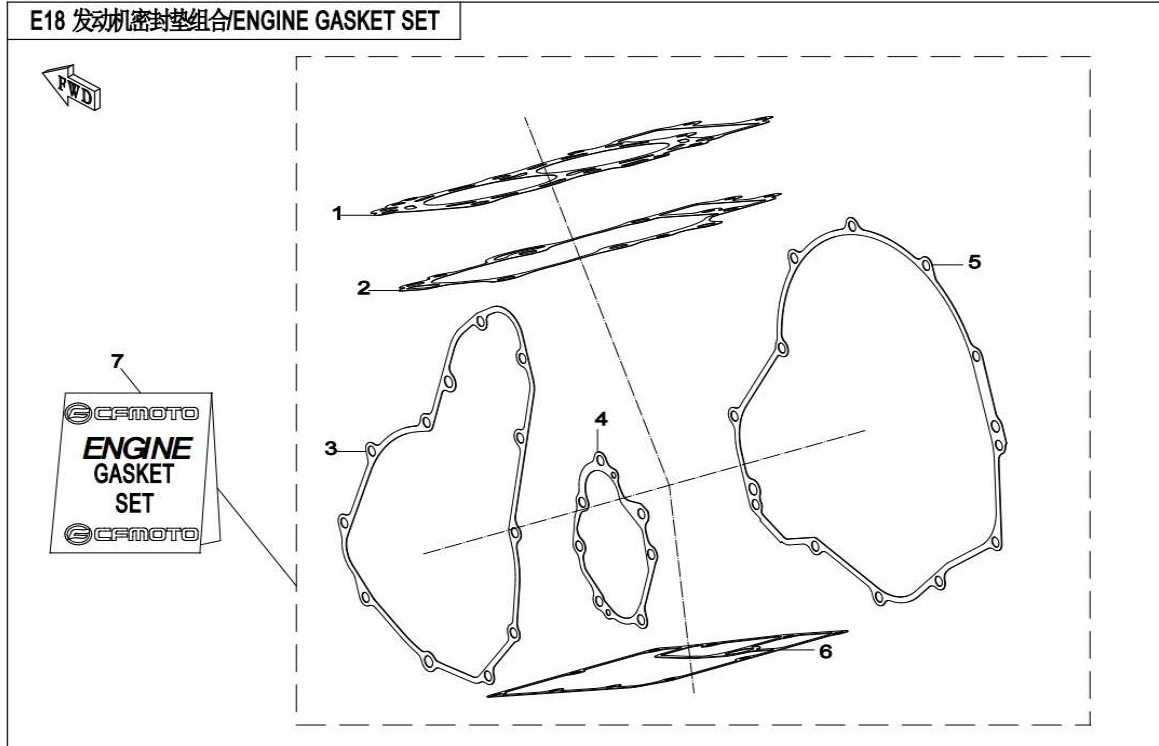
Item No.	Parts Number	Parts Name(EN)	Parts Name(CN)	Qty	Remark(s)	MOQ	Alternative Parts
01	0700-173000-60000	THROTTLE BODY ASSY(ONLY FOR CF650-7, STRAIGHT CYLINDER VALVE)	节气门阀体总成	1		1	
02	0MQ0-171001	CIRCLIP	卡簧	2		1	
03	0700-171100	FUEL INJECTOR	喷油器_白锌	2		1	
04	0010-090006-0050	SCREW M6x12 Black oxidation	螺钉_M6x12	2		6	0010-090006-0010
06	0700-171000-10000	FUEL RAIL ASSY	油轨总成	1		1	

### E17 节气门阀体和喷油器 THROTTLE&INJECTOR



### E18 发动机密封垫组合 ENGINE GASKET SET

Item No.	Parts Number	Parts Name(EN)	Parts Name(CN)	Qty	Remark(s)	MOQ	Alternative Parts
01	0700-022100-0001	GASKET KIT, CYLINDER HEAD	气缸盖垫片组件_成都天府	1		1	
02	0700-023002-0001	GASKET, CYLINDER	气缸体垫片_成都天府	1		1	
03	0700-014002-10000	GASKET, LH SIDE COVER	左侧盖密封垫_复合材料垫片	1		1	
04	0700-065202-10000	GASKET, TRANSMISSION COVER	换挡轴盖垫片_复合材料垫片	1		1	
05	0700-013002-10000	GASKET, RH SIDE COVER	右侧盖密封垫_复合材料垫片	1		1	
06	0700-015004-10000	GASKET, OIL PAN	油底壳垫片_复合材料垫片	1		1	
07	0700-0000A0	ENGINE GASKET SET	发动机密封垫组合	1		1	





E19 发动机油封及O型圈 ENGINE OIL SEAL&O-RING SET

Item No.	Parts Number	Parts Name(EN)	Parts Name(CN)	Qty	Remark(s)	MOQ	Alternative Parts
01	0700-010200	OIL SEAL 40x62x8, COUNTERSHAFT	副轴油封_40×62×8	1		1	
02	0110-013030	O-SEAL RING 18x3.55	O形密封圈_18×3.55	1		2	
03	01A0-012003	O-SEAL RING 35x3.5	O形密封圈_35×3.5	1		2	
04	0010-080009	OIL SEAL 12x20x5	油封_12×20×5	1		1	
05	0700-065220	OIL SEAL 13x22x5.5	油封_13×22×5.5	1		1	
06	01A0-013005	O-SEAL RING 13x2	O形密封圈_13×2	1		2	
07	0700-021300	SEAL RING, SPARK PLUG HOLE	火花塞孔密封圈	2		1	
08	0700-021400-00010	SEAL RING, CYLINDER HEAD COVER(SHU YAUN MACHINE)	气缸盖罩密封圈_书元机械	1		1	
09	0700-021200	SEAL RING, CYLINDER HEAD COVER BOLT	气缸盖罩螺栓密封圈	4		4	
10	0700-022011	O-SEAL RING 44.5x2.5	O形密封圈_44.5×2.5	1		2	
11	0700-022400-1000	SEAL RING, VALVE STEM	气门杆密封圈组件_瑞安泰越	8		2	
12	0700-024001	O-SEAL RING 19x2	O形密封圈_19×2	1		2	
13	0800-062205	O-SEAL RING 25x2	O形密封圈_25×2	1		2	
14	0700-070101	GASKET, OIL SUCTION PAN	吸油盘密封圈	1		1	
15	0700-081100	OIL SEAL 12x32x5.5	油封_12×32×5.5	1		1	
16	0700-081002	SEAL RING, WATER PUMP HOUSING	水泵体密封圈	1		1	
17	0700-080002	SEAL RING, WATER PUMP COVER	水泵盖密封圈	1		1	
18	0180-080002	O-RING 34x2.5	O形圈_34×2.5	1		2	
19	0700-093101	O-SEAL RING 24.7x3.10	O形密封圈_24.7×3.10	1		2	
20	0700-012201	O-SEAL RING 5x2	O形密封圈_5×2	3		2	
21	0700-011202	O-SEAL RING 8.2x1.90	O形密封圈_8.2×1.90	3		2	
22	0700-012701	O-SEAL RING 10x2	O形密封圈_10×2	2		2	
23	0700-070003	O-SEAL RING 14x2.5	O形密封圈_14×2.5	2		2	
24	0700-0000B0	ENGINE OIL SEAL & O-RING SET	发动机油封及O型圈	1		1	

