



***This Catalogue is applicable to 250SR 2022~2023
Kindly refer to the color symbol representing each variant***



Nebula black 2022



Nebula white 2022



Ghost grey 2023



Lava orange 2022

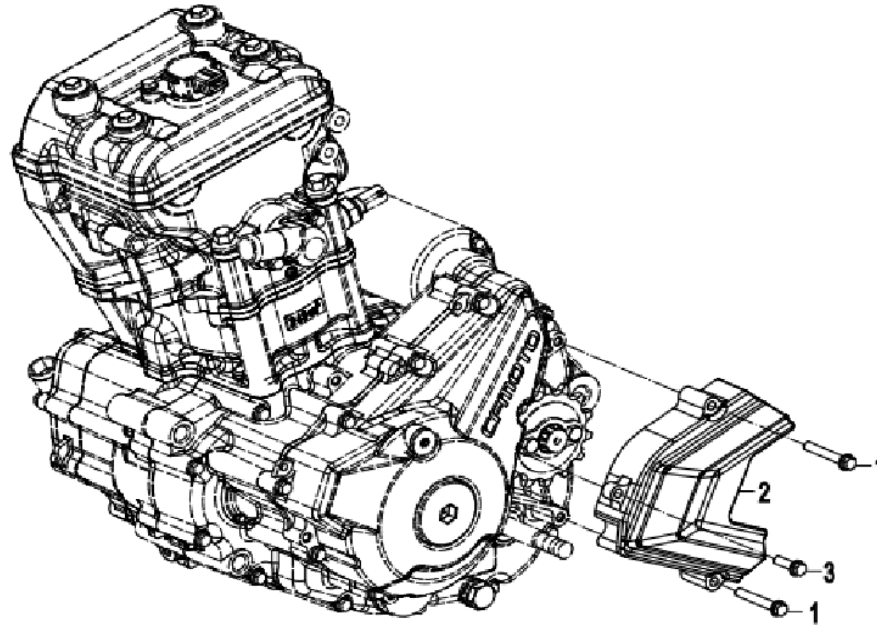


Commonalities of model 250sr 2022 onwards



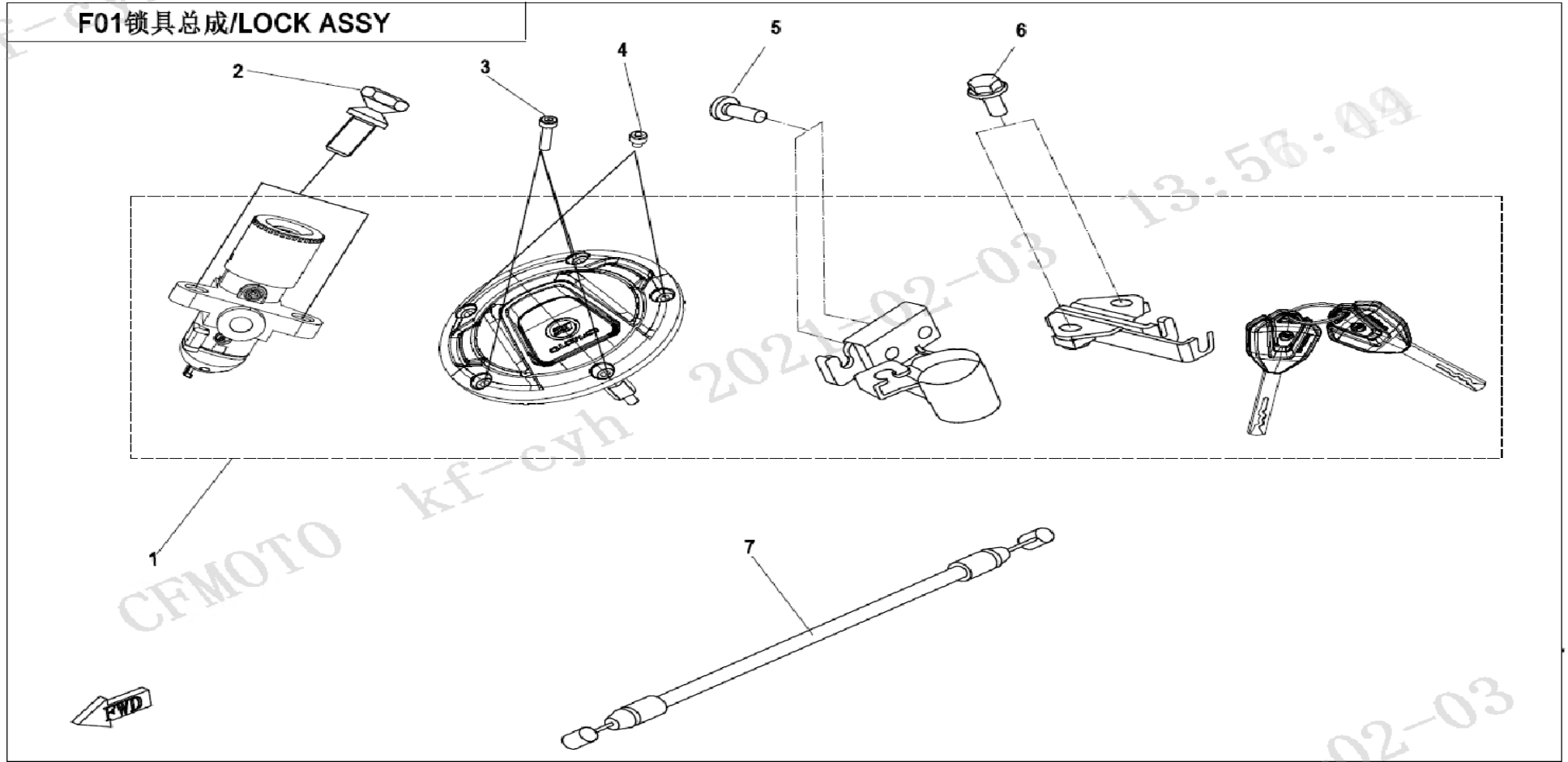
****With Dashboard Switch on left handlebar*
Those without are model 2020~2021***

发动机安装附件/ENGINE FITTINGS



Item No.	Parts Number	Parts Name(EN)	Qty	Remark(s)
01	0010-013009-0010	BOLT M6x40	2	
02	0DM0-014100	REAR COVER ASSY, LH	1	
03	0010-023010-0010	BOLT M6x20	1	

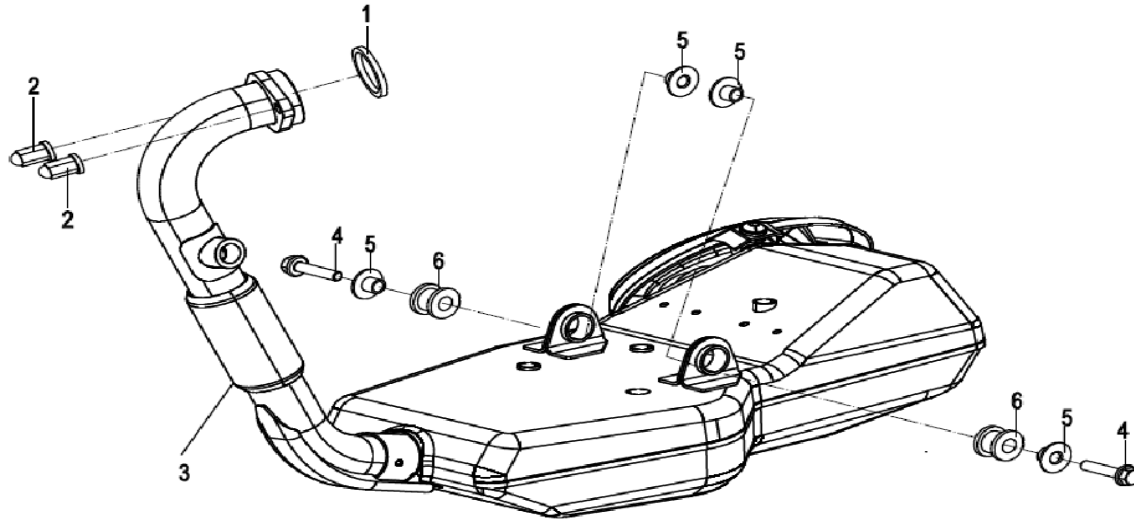
F01 锁具 LOCK KIT



Item No.	Parts Number	Parts Name(EN)	Qty	Remark(s)
01	6KMV-011000-B001	LOCK KITS	1	
02	6KJ0-010001	BOLT	2	
03	30102-050025900	INNER HEX SCREW M5x25	3	
04	30102-050008900	INNER HEX SCREW M5x8	2	
05	30105-050012410	SCREW M5x12	2	
06	30006-060012870	BOLT M6x12	2	
07	6KM#-010010-8000	SEAT CABLE	1	

F02-A 消声器 MUFFLER

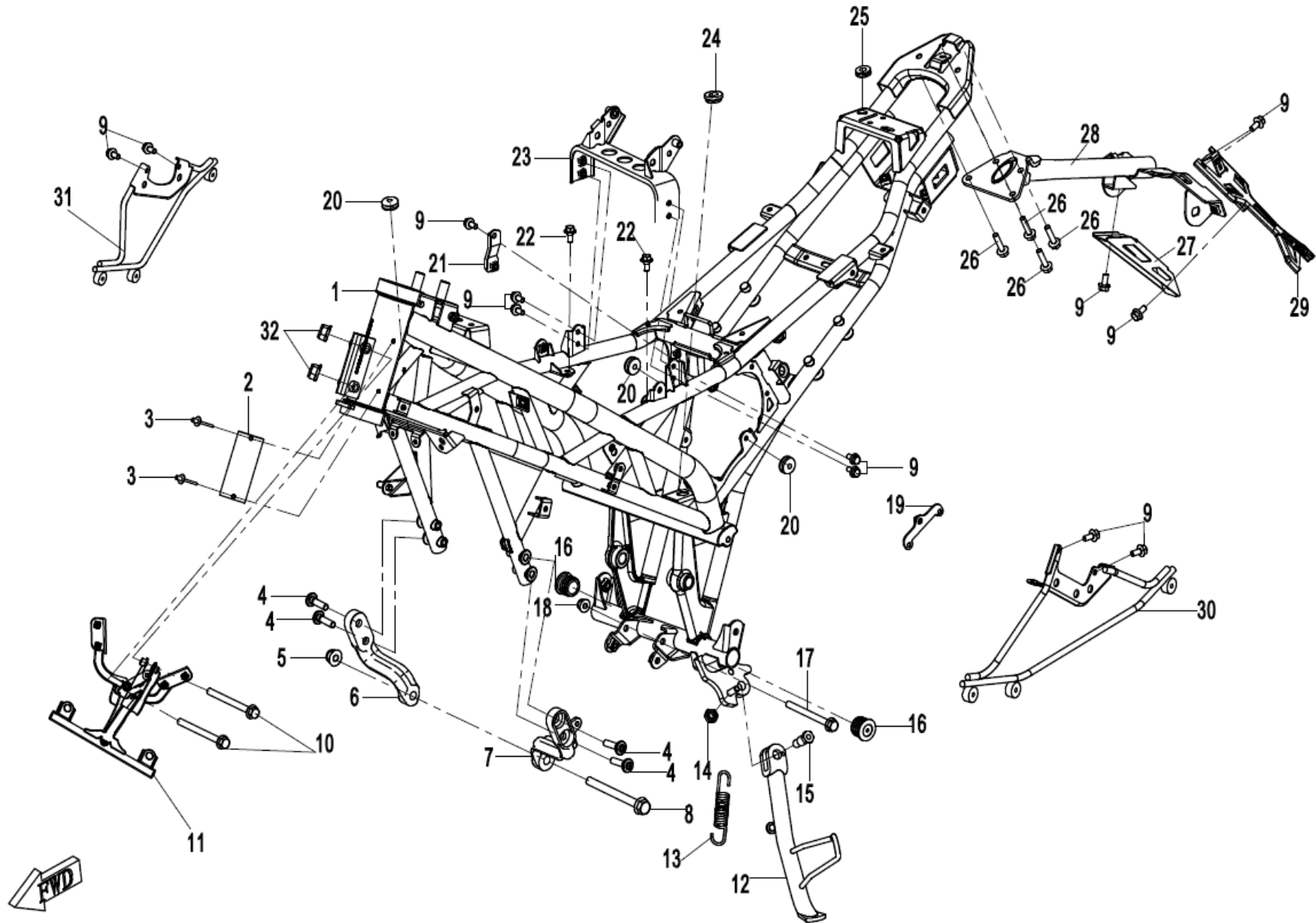
F02 消声器总成/MUFFLER COMP



Item No.	Parts Number	Parts Name(EN)	Qty	Remark(s)
01	6KM0-020010	SEAL WASHER, EXHAUST PORT	1	
02	8010-020001	NUT M8, MUFFLER JOINT	2	
03	6KM#-021000-8001	MUFFLER ASSY	1	
03	6KMV-021000-D100	MUFFLER ASSY	1	
04	30006-080035810	BOLT M8x35	2	
05	A000-020005	BUSHING	4	
06	A000-020004	DAMPER, MUFFLER	2	

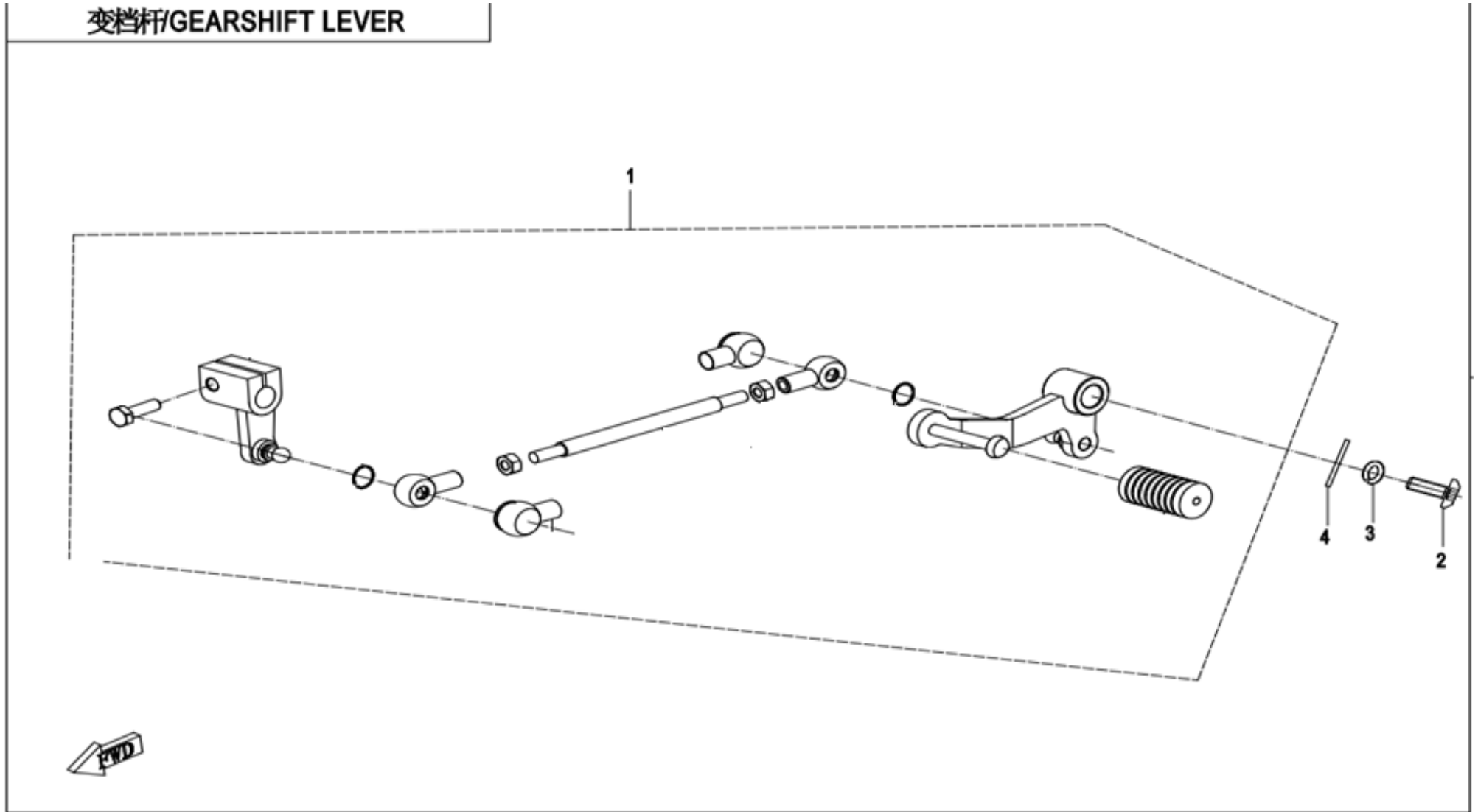
F03-1 车架 FRAME

F0t-



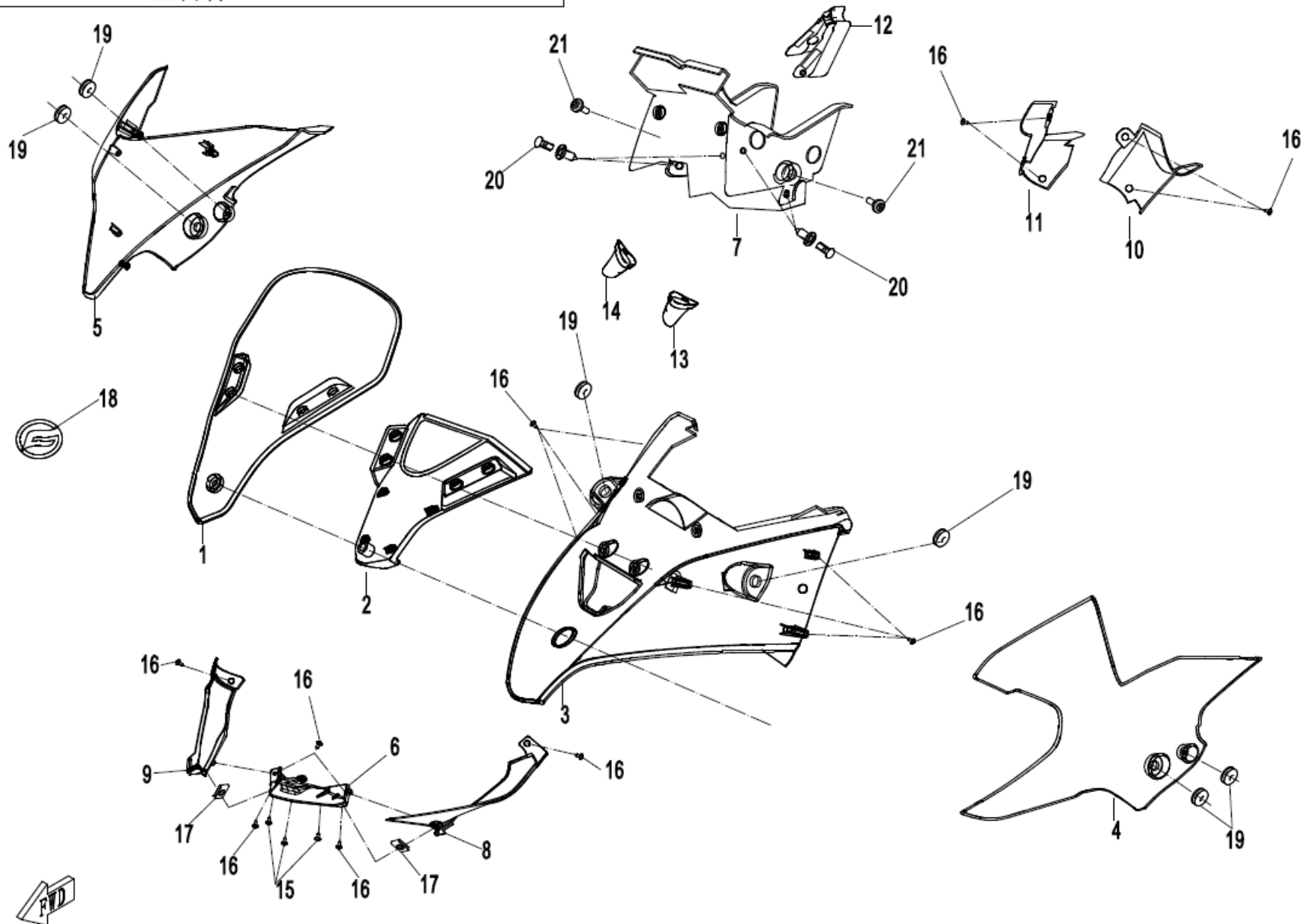
Item No.	Parts Number	Parts Name(EN)	Qty	Remark(s)
01	6KMV-031000-8701-01-0VG00	FRAME ASSY (NEBULA WHITE+ELECTROPHORESIS BLACK)	1	
01	6KMV-031000-8701-01-0BP00	FRAME ASSY (MAUD SPIRIT BLACK)	1	
03	30902-0401320	BLIND RIVET 4x13	2	
04	6KM0-140107	BOLT M8	4	
05	30204-102810	NUT M10x1.25	1	
06	6KM0-030006-1B200	RH MOUNTING BRACKET, ENGINE (MATTE BLACK)	1	
07	6KM0-030005-1B200	LH MOUNTING BRACKET, ENGINE (MATTE BLACK)	1	
08	30006-102110110	BOLT M10x1.25x110	1	
09	30006-060012870	BOLT M6x12	17	
10	30006-060025810	BOLT M6x25	2	
11	6KM#-030400-8001-0B200	FRONT BRACKET (ELECTROPHORESIS BLACK)	1	
12	6KM0-030310-0B200	SIDE BRACKET ASSY (MATTE BLACK)	1	
13	6090-030006	SPRING, SIDE STAND	1	
14	30208-102010	NUT M10x1.25	1	
15	6KMV-030006-8500	BOLT, SIDE BRACKET	1	
16	6KJ0-030503	RUBBER PLUG	2	
17	30006-080090810	BOLT M8x90	1	
18	30204-080810	NUT M8	1	
20	A000-040302	RUBBER DAMPER	3	
21	6KM0-030050-0B200	ABS BRACKET (MATTE BLACK)	1	
22	8010-000004	BOLT M6x14	2	
23	6KM0-030100-2B200	REAR MOUNTING ASSY,FUEL TANK (MATTE BLACK)	1	
24	8080-040064	DAMPER, FRONT FENDER	1	
25	5BY0-040010	RUBBER SLEEVE	1	
26	30006-080045810	BOLT M8x45	4	
27	6KJ0-030601-0BP00	BRACKET, REAR LICENSE (MAUD SPIRIT BLACK)	1	
28	6NT1-030100-0BP00	BRACKET, REAR FENDER (MAUD SPIRIT BLACK)	1	
29	6KM#-030110-8000-0BP00	BRACKET, REAR LICENSE (MAUD SPIRIT BLACK)	1	
30	6KM#-030040-8002-0B200	LH BRACKET, DEFLECTOR (ELECTROPHORESIS BLACK)	1	
31	6KM#-030050-8002-0B200	RH BRACKET, DEFLECTOR (ELECTROPHORESIS BLACK)	1	
32	30206-080510	NUT M8	2	


















F03-2 变档杆 GEARSHIFT LEVER



Item No.	Parts Number	Parts Name(EN)	Qty	Remark(s)
01	6KM#-140700-8000	GEARSHIFT PEDAL	1	
02	6NQ#-000206-6001	BOLT M6x16	1	
03	30303-060112	WASHER 6	1	
04	A000-080006-10000	WASHER (7x24x1.6)	1	

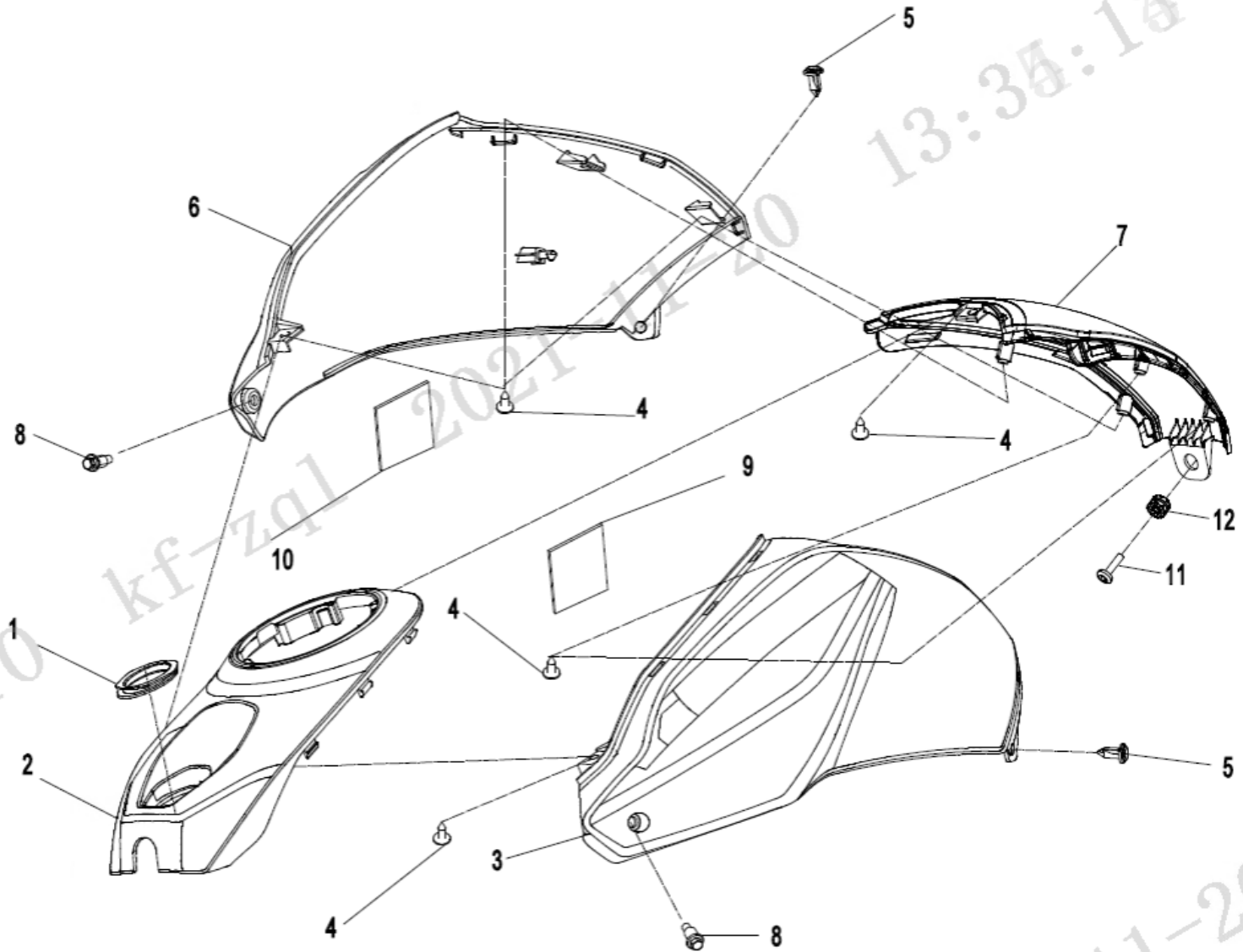
F04-1塑料件 I /PLASTICS I



Item No.	Parts Number	Parts Name(EN)	Qty	Remark(s)
01	6KMV-040002-8500	WINDSHIELD	1	
02	6KM#-040003-8001	DECO PART, UPPER GUARD	1	
03	6KM#-040001-8001-0VF00	UPPER GUARD, HEADLIGHT (MERCURY GREY)	1	SILVER COLOR 
03	6KM#-040001-8001-0VE00	UPPER GUARD, HEADLIGHT (NEBULA WHITE)	1	FOR WHITE BIKE 
03	6KM#-040001-8001-0YD00	UPPER GUARD, HEADLIGHT ((LAVA ORANGE)	1	FOR ORANGE BIKE 
03	6KM#-040001-8001-0BU00	UPPER GUARD, HEADLIGHT (MIST SILVER BLACK)	1	FOR BLACK BIKE 2023 
03	6KM#-040001-8001-0RQ00	UPPER GUARD, HEADLIGHT (AUSTIN PINK)	1	FOR MIAMI BLUE 2023 
04	6KM#-040005-8002-0BM00	LH GUARD, HEADLIGHT (NEBULA BLACK)	1	FOR BLACK BIKE 2022 
04	6KM#-040005-8003-0VE00	LH GUARD, HEADLIGHT (NEBULA WHITE)	1	FOR WHITE BIKE 
04	6KM#-040005-8003-0YD00	LH GUARD, HEADLIGHT (LAVA ORANGE)	1	FOR ORANGE BIKE 
04	6KM#-040005-8003-0H900	LH GUARD, HEADLIGHT (GHOST GREY)	1	FOR GREY BIKE 2023 
04	6KM#-040005-8003-0HC00	LH GUARD, HEADLIGHT (VELOCITY GREY)	1	FOR BLACK BIKE 2023 
04	6KM#-040005-8003-0FG00	LH GUARD, HEADLIGHT (MIAMI BLUE)	1	FOR MIAMI BLUE 2023 
05	6KM#-040006-8003-0BM00	RH GUARD, HEADLIGHT (NEBULA BLACK)	1	FOR BLACK BIKE 2022 
05	6KM#-040006-8003-0VE00	RH GUARD, HEADLIGHT (NEBULA WHITE)	1	FOR WHITE BIKE 
05	6KM#-040006-8003-0YD00	RH GUARD, HEADLIGHT (LAVA ORANGE)	1	FOR ORANGE BIKE 
05	6KM#-040006-8003-0H900	RH GUARD, HEADLIGHT (GHOST GREY)	1	FOR GREY BIKE 2023 
05	6KM#-040006-8003-0HC00	RH GUARD, HEADLIGHT (VELOCITY GREY)	1	FOR BLACK BIKE 2023 
05	6KM#-040006-8003-0FG00	RH GUARD, HEADLIGHT (MIAMI BLUE)	1	FOR MIAMI BLUE 2023 
06	6KM#-040004-8001	LOWER DECO PART, HEADLIGHT	1	
07	6KM#-040009-8101	DASHBOARD GUARD	1	
08	6KM#-040007-8001	LH FRONT DEFLECTOR, HEADLIGHT	1	
09	6KM#-040008-8001	RH FRONT DEFLECTOR, HEADLIGHT	1	
10	6KM#-040043-8001	LH REAR DEFLECTOR 1	1	
11	6KM#-040044-8001	RH REAR DEFLECTOR 1	1	
12	6KM#-040070-8000	DECO PART ASSY, DASHBOARD GUARD	1	
13	6KM#-040065-8001	RH VENTILATION PIPE, DASHBOARD GUARD	1	
14	6KM#-040064-8001	RH VENTILATION HOSE, DASHBOARD GUARD	1	
15	30118-420095010	SELF-TAPPING SCREW ST4.2x9.5	3	













Item No.	Parts Number	Parts Name(EN)	Qty	Remark(s)
16	30110-421130010	SELF-TAPPING SCREW ST4.2x13	11	
17	8010-000002	CLAMP ST4.2	2	
18	6KM#-190001-8000	DECO PLATE, WINDSHIELD	1	
19	A000-040302	RUBBER DAMPER	6	
20	9060-040310	PLASTIC CLIPS	4	
21	6KM#-040702-8000	INNER HEX SCREW M6x12	2	

F04-2塑料件 II/PLASTICS II

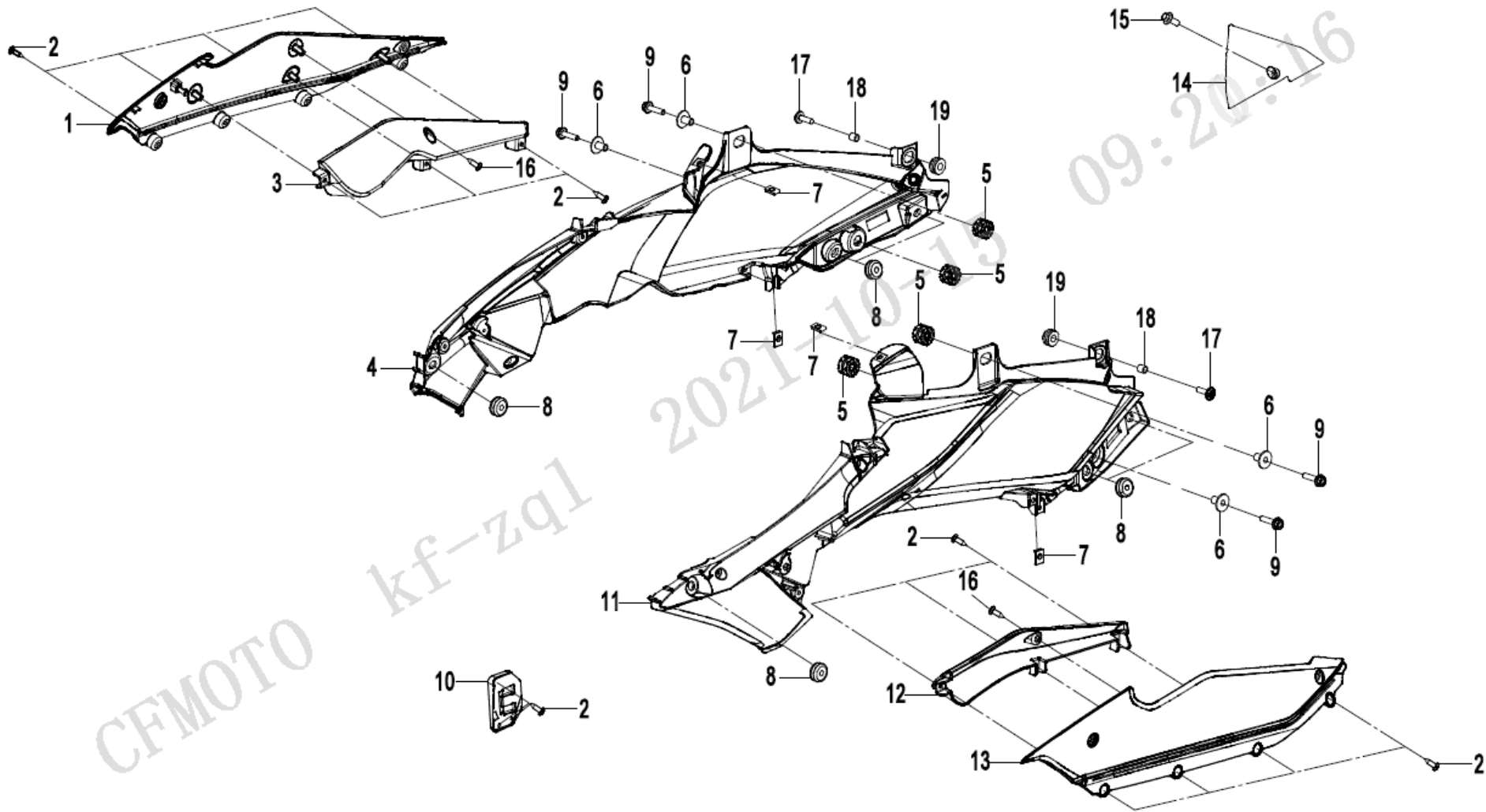

















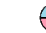






11-20

Item No.	Parts Number	Parts Name(EN)	Qty	Remark(s)
01	6KM#-040032-8001	DECO RING, IGNITION LOCK	1	
02	6KMV-040029-8002	FRONT GUARD, FUEL TANK	1	
03	6KMV-040027-8004-0YF00	LH GUARD, FUEL TANK (LAVA ORANGE+NEW ROYAL BLUE)	1	Lava orange 2022 
03	6KMV-040027-8004-0BM00	LH GUARD, FUEL TANK (NEBULA BLACK)	1	Nebula black 2022 
03	6KMV-040027-8004-0VE00	LH GUARD, FUEL TANK (NEBULA WHITE)	1	Nebula white 2022 
03	6KMV-040027-8004-0H900	LH GUARD, FUEL TANK (GHOST GREY)	1	Grey bike 2023 
03	6KMV-040027-8004-0HC00	LH GUARD, FUEL TANK (VELOCITY GREY)	1	Black bike 2023 
03	6KMV-040027-8004-0FG00	LH GUARD, FUEL TANK (MIAMI BLUE)	1	Miami blue 2023 
04	30110-421130010	SELF-TAPPING SCREW ST4.2x13	7	
05	9060-040310	PLASTIC CLIPS	4	
06	6KMV-040028-8004-0YF00	RH GUARD, FUEL TANK (LAVA ORANGE+NEW ROYAL BLUE)	1	Lava orange 2022 
06	6KM#-040028-8002-0BM00	RH GUARD, FUEL TANK (NEBULA BLACK)	1	Nebula black 2022 
06	6KMV-040028-8004-0VE00	RH GUARD, FUEL TANK (NEBULA WHITE)	1	Nebula white 2022 
06	6KMV-040028-8004-0H900	RH GUARD, FUEL TANK (GHOST GREY)	1	Grey bike 2023 
06	6KMV-040028-8004-0HC00	RH GUARD, FUEL TANK (VELOCITY GREY)	1	Black Bike 2023 
06	6KMV-040028-8004-0FG00	RH GUARD, FUEL TANK (MIAMI BLUE)	1	Miami blue 2023 
07	6KMV-040031-8004-0YF00	REAR GUARD, FUEL TANK (NEW ROYAL BLUE)	1	Lava oange 2022 
07	6KMV-040031-8004-0BM00	REAR GUARD, FUEL TANK (NEBULA BLACK)	1	Nebula black 2022 
07	6KMV-040031-8004-0VE00	REAR GUARD, FUEL TANK (NEBULA WHITE)	1	Nebula white 2022 
07	6KMV-040031-8004-0H900	REAR GUARD, FUEL TANK (GHOST GREY)	1	Grey bike 2023 
07	6KMV-040031-8004-0HC00	REAR GUARD, FUEL TANK (VELOCITY GREY)	1	Black Bike 2023 
07	6KMV-040031-8004-0FG00	REAR GUARD, FUEL TANK (MIAMI BLUE)	1	Miami blue 2023 
08	6KM#-040082-8000	SCREW KIT M5	2	
09	6KM#-040073-8000	HEAT INSULATOR, FUEL TANK LH FRONT PANEL	1	
10	6KM#-040074-8000	HEAT INSULATOR, FUEL TANK RH FRONT PANEL	1	
11	6WWV-047001-5000	INNER HEX SCREW M6x25	1	
12	5020-031001	RUBBER SLEEVE, FRONT LICENSE BRACKET	1	

Item No.	Parts Number	Parts Name(EN)	Qty	Remark(s)
01	6KM#-040024-8002	RH FRONT INNER PANEL	1	
02	6KMV-040023-8700	LH FRONT INNER PANEL	1	
03	6KM#-040025-8001	FRONT LOWER FENDER	1	
04	6KM#-040015-8003-0BM00	FRONT LH PANEL (NEBULA BLACK)	1	Black bike 22&23  
04	6KM#-040015-8003-0VE00	FRONT LH PANEL (NEBULA WHITE)	1	Nebula white 2022 
04	6KM#-040015-8003-0YF00	FRONT LH PANEL (LAVA ORANGE +ROYAL BLUE)	1	Lava orange 2022 
04	6KM#-040015-8003-0H900	FRONT LH PANEL (GHOST GREY)	1	Grey bike 2023 
04	6KM#-040015-8003-0FH00	FRONT LH PANEL (MIAMI BLUE+TWILIGHT BLUE)	1	Miami blue 2023 
05	6KMV-040026-8004-0B600	LOWER GUARD, ENGINE (CARBON WRAP)	1	
05	6KMV-040026-8004-0ET00	LOWER GUARD, ENGINE (TWILIGHT BLUE)	1	
06	6KMV-040016-8003-0BM00	FRONT RH PANEL (NEBULA BLACK)	1	Black bike 22&23  
06	6KM#-040016-8002-0VE00	FRONT RH PANEL (NEBULA WHITE)	1	Nebula white 2022 
06	6KMV-040016-8003-0YF00	FRONT RH PANEL (LAVA ORANGE+NEW ROYAL BLUE)	1	Lava orange 2022 
06	6KMV-040016-8003-0H900	FRONT RH PANEL (GHOST GREY)	1	Grey bike 2023 
06	6KMV-040016-8003-0FH00	FRONT RH PANEL (MIAMI BLUE)	1	Miami blue 2023 
07	6KM#-040056-8001	LH CUSHION BLOCK, FRAME	1	
08	6KM#-040057-8001	RH CUSHION BLOCK, FRAME	1	
09	6KM#-040058-8001	FILLING CAP	1	
10	30110-421130010	SELF-TAPPING SCREW ST4.2x13	9	
11	6KM#-040702-8000	INNER HEX SCREW M6x12	4	
12	8010-000002	CLAMP ST4.2	5	
13	6KM#-040081-8000-M1	NUT CLIP M5	2	
14	6NQ#-000205-6001	MOUNTING SCREW, CHAIN GUARD	4	
15	A000-040302	RUBBER DAMPER	2	
16	6090-040302	RUBBER DAMPER	6	
17	6090-040303	BUSHING	6	
18	6KM0-043701	DECO COVER, CANISTER	1	

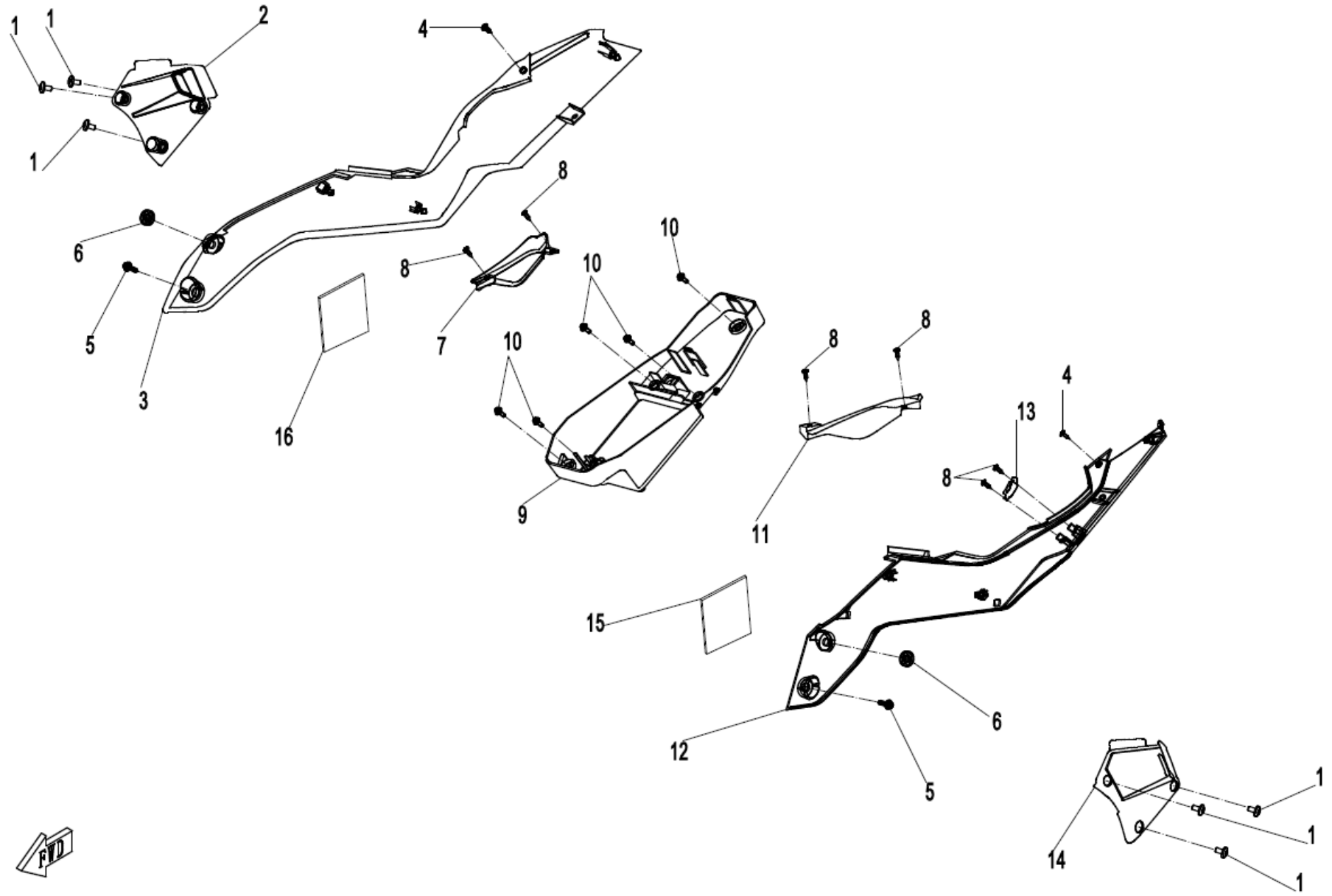
F04-4gĉ P/PLASTICS P













Item No.	Parts Number	Parts Name(EN)	Qty	Remark(s)
01	6KMV-040014-8003-0B600	UPPER DECO PLATE, FRONT RH PANEL (CARBON WRAP)	1	
01	6KMV-040014-8003-0FG00	UPPER DECO PLATE, FRONT RH PANEL (MIAMI BLUE)	1	for Miami blue bike only 
02	30110-421130010	SELF-TAPPING SCREW ST4.2x13	13	
03	6KMV-040018-8003	INNER DECO PLATE, FRONT RH PANEL	1	
04	6KM#-040022-8003-0B800	RH FRONT PANEL, FUEL TANK (MATTE PEARL BLACK)	1	Nebula black 
04	6KM#-040022-8003-0BM00	RH FRONT PANEL, FUEL TANK (NEBULA BLACK)	1	Ghost Grey, Black 2023  
04	6KM#-040022-8003-0EP00	RH FRONT PANEL, FUEL TANK (TURQUOISE BLUE)	1	Nebula white 
04	6KMV-040022-8006-0EC00	RH FRONT PANEL, FUEL TANK (NEW ROYAL BLUE)	1	Lava orange 
04	6KMV-040022-8006-0FG00	RH FRONT PANEL, FUEL TANK (MIAMI BLUE)	1	Miami blue 
05	5020-031001	RUBBER SLEEVE, FRONT LICENSE BRACKET	4	
06	6KM0-120010	T-TYPE BUSHING ASSY	4	
07	6KM#-040081-8000-M1	NUT CLIP M5	4	
08	A000-040302	RUBBER DAMPER	6	
09	30006-060025810	BOLT M6x25	4	
10	6KMV-040033-8700	BRACKET, T-BOX	1	
11	6KM#-040021-8003-0B800	LH FRONT PANEL, FUEL TANK (MATTE PEARL BLACK)	1	Nebula black 2022 
11	6KM#-040021-8003-0BM00	LH FRONT PANEL, FUEL TANK (NEBULA BLACK)	1	Ghost Grey & Black 2023  
11	6KM#-040021-8003-0EP00	LH FRONT PANEL, FUEL TANK (TURQUOISE BLUE)	1	Nebula white 2022 
11	6KMV-040021-8006-0EC00	LH FRONT PANEL, FUEL TANK (ORANGE)	1	Lava orange 2022 
11	6KMV-040021-8006-0FG00	IH FRONT PANEL, FUEL TANK (MIAMI BLUE)	1	Miami blue 
12	6KM#-040017-8002	INNER DECO PLATE, FRONT LH PANEL	1	
13	6KMV-040013-8003-0B600	UPPER DECO PLATE, FRONT LH PANEL (CARBON WRAP)	1	
13	6KMV-040013-8003-0FG00	UPPER DECO PLATE, FRONT LH PANEL (MIAMI BLUE)	1	for Miami blue bike only 
14	6KMV-040059-8004-0BM00	SERVICE COVER, OIL FILTER (NEBULA BLACK)	1	 
14	6KMV-040059-8004-0VE00	SERVICE COVER, OIL FILTER (NEBULA WHITE)	1	Nebula white 2022 
14	6KMV-040059-8004-0EC00	SERVICE COVER, OIL FILTER (NEW ROYAL BLUE)	1	Lava ORANGE 2022 
14	6KMV-040059-8004-0H900	SERVICE COVER, OIL FILTER (GHOST GREY)	1	Ghost grey 
14	6KMV-040059-8004-0ET00	SERVICE COVER, OIL FILTER (TWILIGHT BLUE)	1	Miami blue 
15	6KM#-040082-8000	SCREW KIT M5	1	
16	30110-420130070	SELF-TAPPING SCREW ST4.2x13-C-H	2	

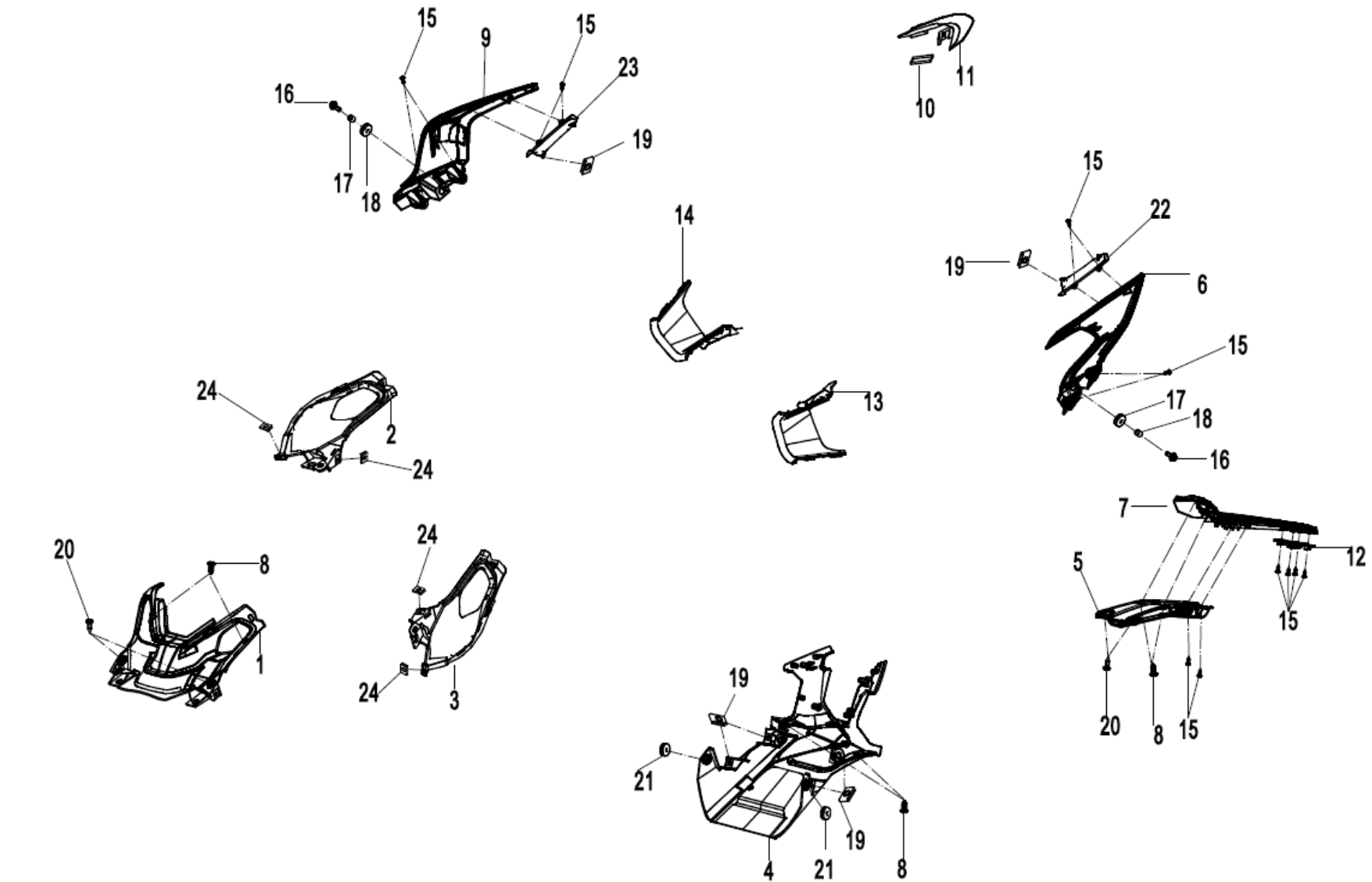
Item No.	Parts Number	Parts Name(EN)	Qty	Remark(s)
17	6WWV-046901-5000	INNER HEX SCREW M6x20	2	
18	6090-040303	BUSHING	2	
19	6090-040302	RUBBER DAMPER	2	

F04-5塑料件VI/PLASTICS VI



Item No.	Parts Number	Parts Name(EN)	Qty	Remark(s)
01	30102-060012870	SCREW	6	
02	6KM#-040036-8001	RH MIDDLE DECO COVER	1	
03	6KM#-040042-8002-0B800	RH PANEL (MATTE PEARL BLACK)	1	Nebula black 2022 
03	6KM#-040042-8002-0BM00	RH PANEL (NEBULA BLACK)	1	Ghost Grey & Black 2023 
03	6KM#-040042-8002-0EP00	RH PANEL (TURQUOISE BLUE)	1	Nebula white 2022 
03	6KM#-040042-8002-0EC00	RH PANEL (ROYAL NAVY BLUE)	1	Lava orange 
03	6KM#-040042-8002-0FG00	RH PANEL (MIAMI BLUE)	1	Miami blue 
04	9060-040310	PLASTIC CLIPS	2	
05	30006-060025810	BOLT M6x25	2	
06	5020-031001	RUBBER SLEEVE, FRONT LICENSE BRACKET	2	
07	6KM#-130105-8001	RH DECO PLATE, FRONT SEAT	1	
08	30110-421130010	SELF-TAPPING SCREW ST4.2x13	6	
09	6KMOV-040034-8002	BATTERY BOX	1	
10	8010-000004	BOLT M6x14	5	
11	6KM#-130104-8001	LH DECO PLATE, FRONT SEAT	1	
12	6KM#-040041-8002-0B800	LH PANEL (MATTE PEARL BLACK)	1	Nebula black 2022 
12	6KM#-040041-8002-0BM00	LH PANEL (NEBULA BLACK)	1	Ghost Grey & Black 2023 
12	6KM#-040041-8002-0EP00	LH PANEL (TURQUOISE BLUE)	1	Nebula white 2022 
12	6KM#-040041-8002-0EC00	LH PANEL (ROYAL NAVY BLUE)	1	Lava orange 
12	6KM#-040041-8002-0FG00	LH PANEL (MIAMI BLUE)	1	Miami blue 
13	6KM#-040055-8002	LOCK SEAT, SEAT LOCK	1	
14	6KM#-040035-8001	LH MIDDLE DECO COVER	1	
15	6KM#-040071-8000	HEAT INSULATOR, LH PANEL	1	
16	6KM#-040072-8000	HEAT INSULATOR, RH PANEL	1	

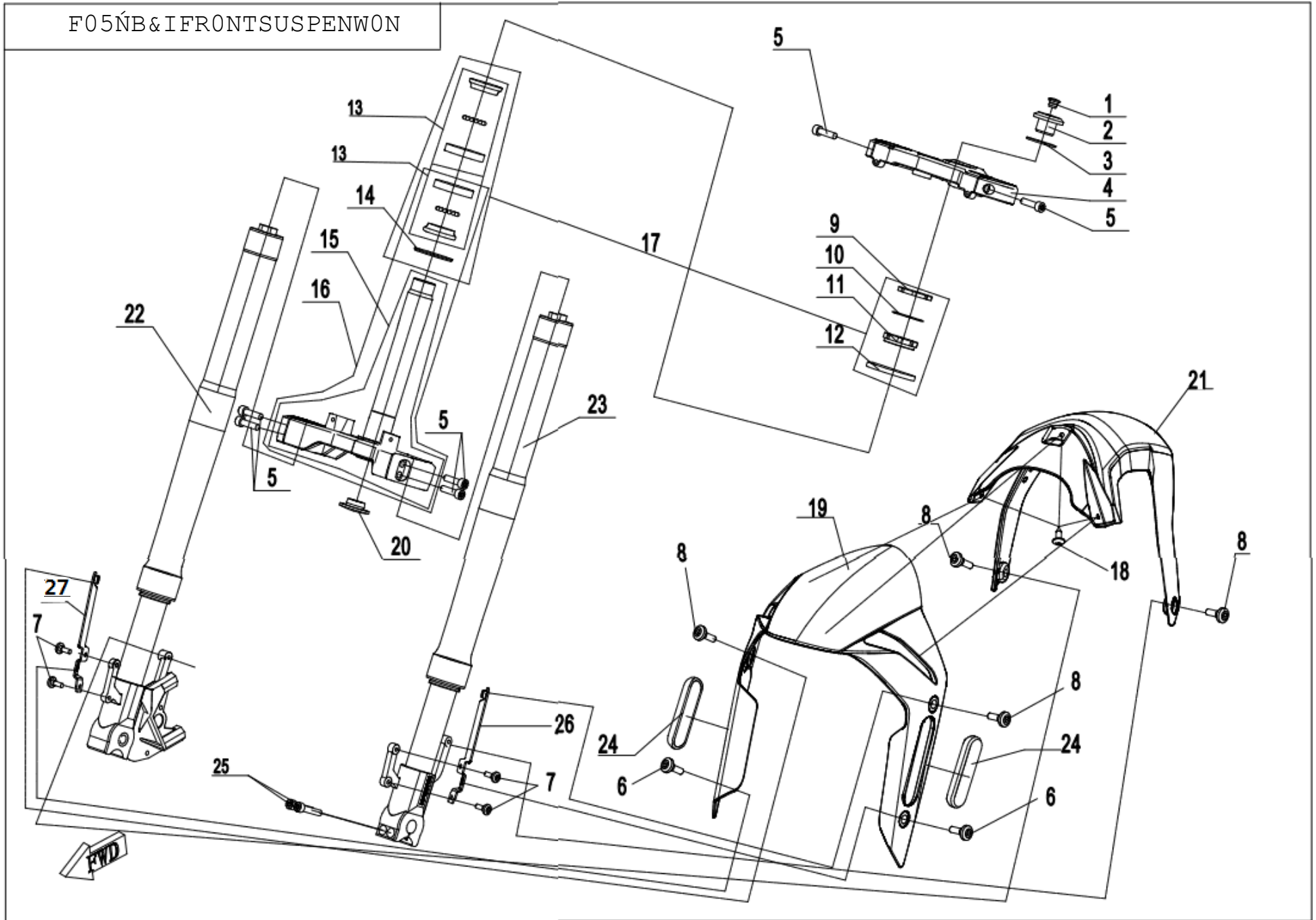
F04-6塑料件VI/PLASTICS VI





Item No.	Parts Number	Parts Name(EN)	Qty	Remark(s)
01	6KM#-040039-8001	FRONT MIDDLE CONNECTING PLATE, PANEL	1	
02	6KM#-040062-8001	FRONT RH CONNECTING PLATE, PANEL	1	
03	6KM#-040061-8001	FRONT LH CONNECTING PLATE, PANEL	1	
04	6KM#-040047-8001	REAR FENDER	1	
05	6KM#-040051-8001	LOWER DECO PART, REAR FENDER	1	
06	6KM#-040045-8002-0VE00	LH TAIL GUARD (NEBULA WHITE)	1	Nebula white bike 
06	6KM#-040045-8002-0VF00	LH TAIL GUARD (MERCURY SILVER)	1	Grey&Black bike  
06	6KM#-040045-8002-0EC00	LH TAIL GUARD (ROYAL NAVY BLUE)	1	Orange bike 
06	6KM#-040045-8002-0HC00	LH TAIL GUARD (VELOCITY GREY)	1	Black 2023 
06	6KM#-040045-8002-0RQ00	LH TAIL COVER (AUSTIN PINK)	1	Miami blue 
07	6KM#-040049-8001	UPPER DECO PART, REAR FENDER	1	
08	9060-040310	PLASTIC CLIPS	6	
09	6KM#-040046-8002-0VE00	RH TAIL GUARD (NEBULA WHITE)	1	Nebula white bike 
09	6KM#-040046-8001-0VF00	RH TAIL GUARD (MERCURY GREY)	1	Grey&Black bike  
09	6KM#-040046-8002-0EC00	RH TAIL GUARD ((ROYAL NAVY BLUE))	1	Orange bike 
09	6KM#-040046-8002-0HC00	RH TAIL GUARD (VELOCITY GREY)	1	Black 2023 
09	6KM#-040046-8002-0RQ00	RH TAIL COVER (AUSTIN PINK)	1	Miami blue 
10	6KM#-040066-8001	SPONGE STRAP	1	
11	6KM#-040048-8001	UPPER DECO GUARD, TAIL LIGHT	1	
12	6KM#-040052-8001	PRESS BLOCK, REAR LICENSE LIGHT	1	
13	6KM#-040143-8001	LH REAR DEFLECTOR 2	1	
14	6KM#-040144-8001	RH REAR DEFLECTOR 2	1	
15	30110-421130010	SELF-TAPPING SCREW ST4.2x13	14	
16	30006-060016870	BOLT M6x16	2	
17	6090-040302	RUBBER DAMPER	2	
18	6090-040303	BUSHING	2	
19	8080-000001	CLASP	2	
20	30118-420095010	SELF-TAPPING SCREW ST4.2x9.5	2	
21	A000-040302	RUBBER DAMPER	2	

Item No.	Parts Number	Parts Name(EN)	Qty	Remark(s)
22	6KM#-040053-8001	INNER DECO PART, LH TAIL GUARD	1	
23	6KM#-040054-8001	INNER DECO PART, RH TAIL GUARD	1	
24	8010-000002	CLAMP ST4.2	4	

F05-A 前悬架 FRONT SUSPENSION

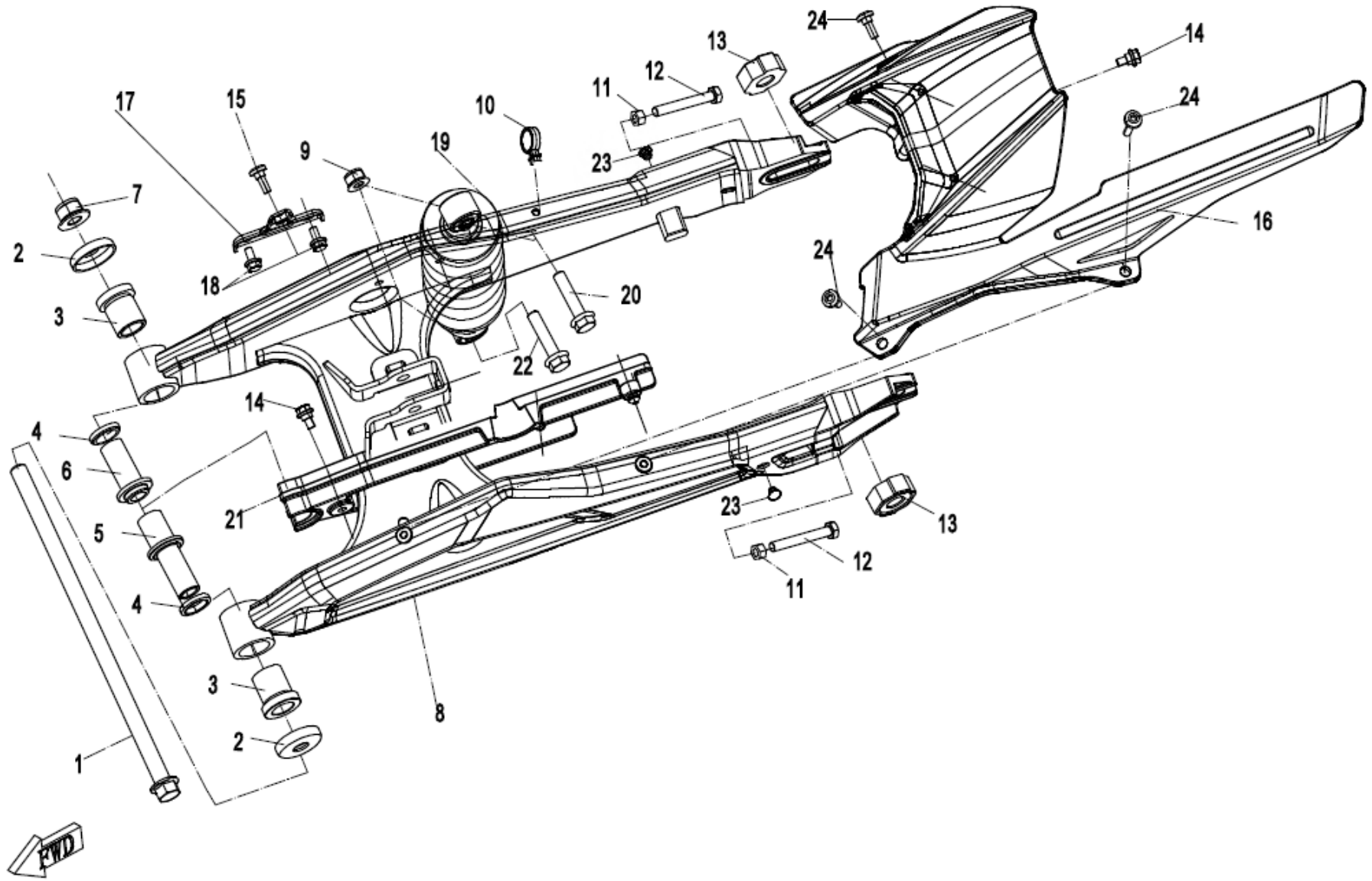


Item No.	Parts Number	Parts Name(EN)	Qty	Remark(s)
01	A000-050005	RUBBER PLUG 1	1	
02	6NTA-050003	LOCK SCREW, UPPER TRIPLE CLAMP	1	
03	A000-050004	WASHER 5	1	
04	6KMV-050001-8102	UPPER TRIPLE CLAMP	1	
05	30102-080030860	INNER HEX SCREW M8x30	6	
06	6KM#-040702-8000	INNER HEX SCREW M6x12	2	
07	30006-060012870	BOLT M6x12	4	
08	6NQ#-000205-6001	MOUNTING SCREW, CHAIN GUARD	4	
09	A000-050006	LOCK NUT 1	1	
10	A000-050008	WASHER 5	1	
11	A000-050007	LOCK NUT 2	1	
12	A000-050009	DUST CAP, UPPER RETAINER	1	
13	A000-050100-10000	STEERING BEARING ASSY	2	
14	A000-050400	ANTI-DUST CAP, LOWER RETAINING RING	1	
15	6KJ0-050300-0BP00	FORNT FORK AND LOWER TRIPLE CLAMP ASSY (MAUD SPIRIT BLACK)	1	
15	6KJ0-050300-0H300	LOWER TRIPLE CLAMP, FRONT FORK PIPE (SILVER BLACK)	1	
17	A000-0501B0	STEERING BEARING ASSY	1	
18	30110-421130010	SELF-TAPPING SCREW ST4.2x13	3	
19	6KM#-050009-8001-0BM00	FRONT PART, FRONT FENDER (NEBULA BLACK)	1	
19	6KM#-050009-8001-0ET00	FRONT PART, FRONT FENDER (TWILIGHT BLUE)	1	for Miami blue bike only 
20	A000-050011	RUBBER PLUG 2	1	
21	6KM#-050011-8001-0B800	REAR PART, FRONT FENDER (MATTE PEARL BLACK)	1	
22	6KM#-050200-8100	FRONT RH SHOCK ABSORBER (BLACK)	1	BLACK 
23	6KM#-050100-8100	FRONT LH SHOCK ABSORBER (BLACK)	1	BLACK 
24	6KM#-050030-8100	SIDE REFLECTOR	2	
25	30102-080040810	SCREW M8x40	2	
26	6KM#-030020-8000-0B200	LH SEAT, FRONT FENDER (ELECTROPHORESIS BLACK)	1	
27	6KM#-030030-8000-0B200	RH SEAT, FRONT FENDER (ELECTROPHORESIS BLACK)	1	

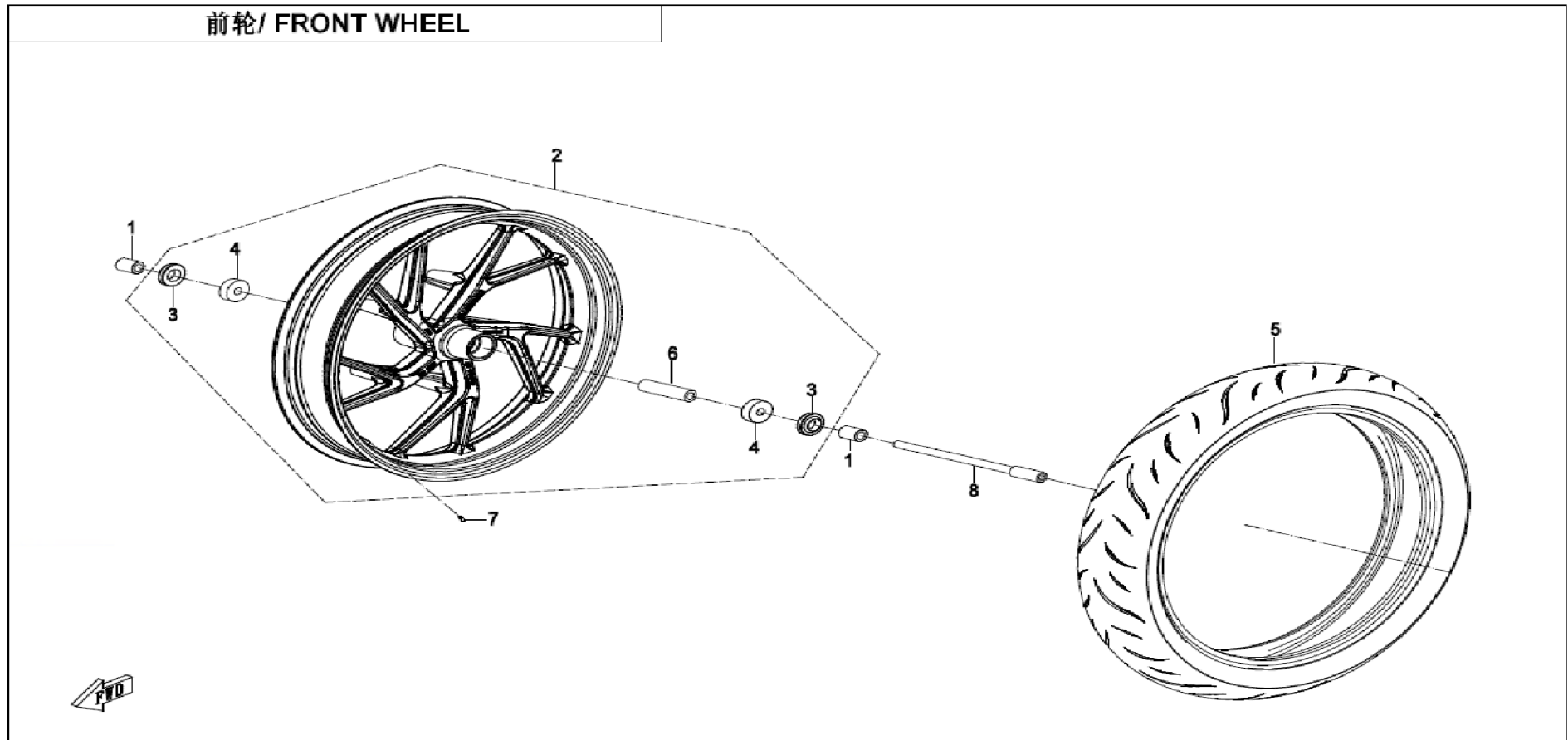
Item No.	Parts Number	Parts Name(EN)	Qty	Remark(s)
01	A000-050005	RUBBER PLUG 1	1	
02	6NTA-050003	LOCK SCREW, UPPER TRIPLE CLAMP	1	
03	A000-050004	WASHER 5	1	
04	6KMV-050001-8102	UPPER TRIPLE CLAMP	1	
05	30102-080030860	INNER HEX SCREW M8x30	6	
06	6KM#-040702-8000	INNER HEX SCREW M6x12	2	
07	30006-060012870	BOLT M6x12	4	
08	6NQ#-000205-6001	MOUNTING SCREW, CHAIN GUARD	4	
09	A000-050006	LOCK NUT 1	1	
10	A000-050008	WASHER 5	1	
11	A000-050007	LOCK NUT 2	1	
12	A000-050009	DUST CAP, UPPER RETAINER	1	
13	A000-050100-10000	STEERING BEARING ASSY	2	
14	A000-050400	ANTI-DUST CAP, LOWER RETAINING RING	1	
15	6KJ0-050300-0H300	LOWER TRIPLE CLAMP, FRONT FORK PIPE (SILVER BLACK)	1	
15	6KJ0-050300-0BP00	FORNT FORK AND LOWER TRIPLE CLAMP ASSY (MAUD SPIRIT BLACK)	1	
17	A000-0501B0	STEERING BEARING ASSY	1	
18	30110-421130010	SELF-TAPPING SCREW ST4.2x13	3	
19	6KM#-050009-8001-0BM00	FRONT PART, FRONT FENDER (NEBULA BLACK)	1	
20	A000-050011	RUBBER PLUG 2	1	
21	6KM#-050011-8001-0B800	REAR PART, FRONT FENDER (MATTE PEARL BLACK)	1	
22	6KM#-050400-8100	FRONT RH SHOCK ABSORBER (GOLDEN)	1	GOLD COLOR 
23	6KM#-050300-8100	FRONT LH SHOCK ABSORBER (GOLDEN)	1	GOLD COLOR 
24	6KM#-050030-8100	SIDE REFLECTOR	2	
25	30102-080040810	SCREW M8x40	2	
26	6KM#-030020-8000-0B200	LH SEAT, FRONT FENDER (ELECTROPHORESIS BLACK)	1	
27	6KM#-030030-8000-0B200	RH SEAT, FRONT FENDER (ELECTROPHORESIS BLACK)	1	

F06-B-V2 后悬架(钣金) REAR SUSPENSION(SHEET METAL)

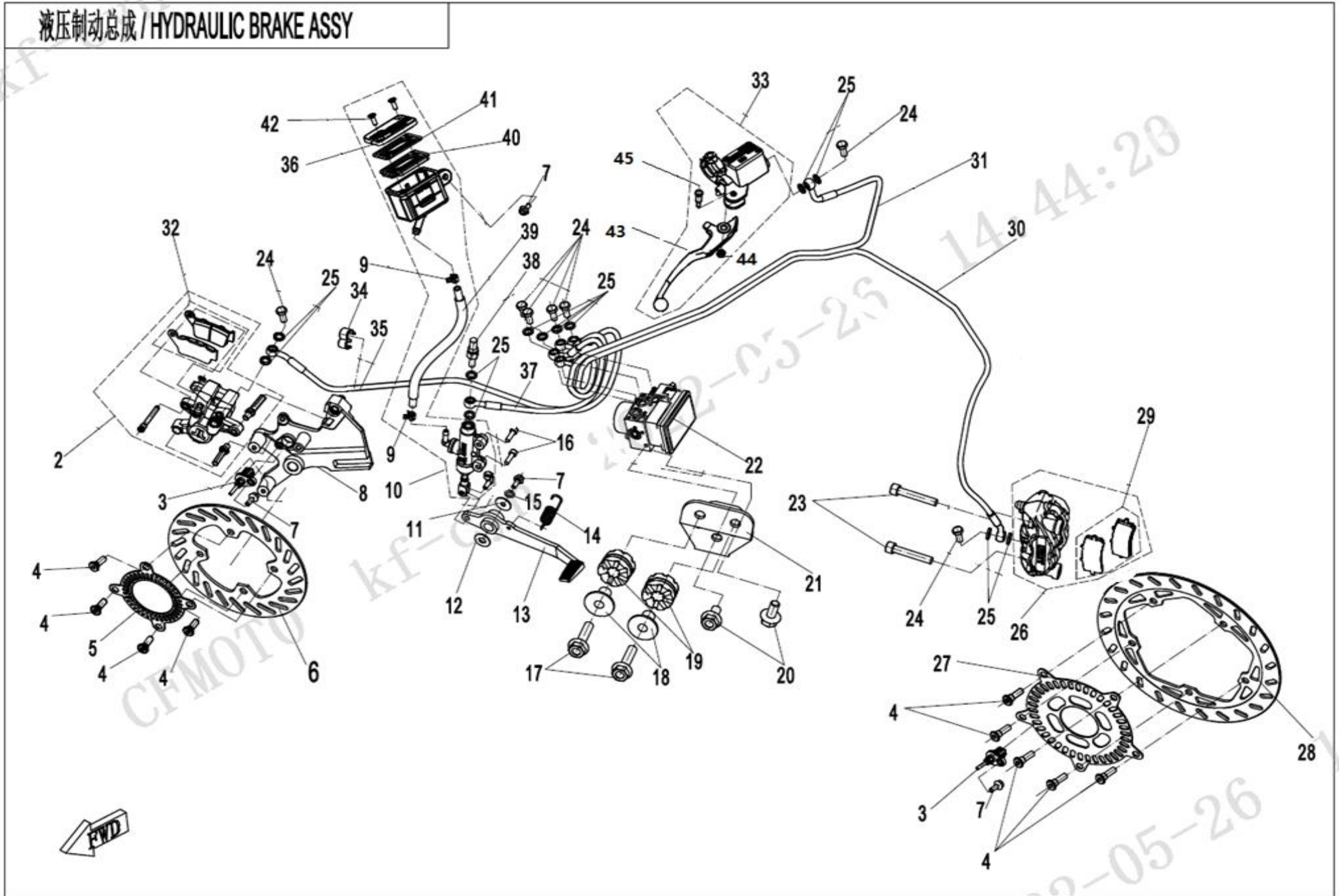
后悬架/ REAR SUSPENSION



Item No.	Parts Number	Parts Name(EN)	Qty	Remark(s)
01	6KM0-060001-10000	REAR FORK SHAFT	1	
02	6KMV-060010-8001	DUST BOOT COVER 1, REAR SWING ARM	2	
03	6100-060008	OUTER BUSHING, REAR SWING ARM	2	
04	6090-060005	ANTI-DUST RING	2	
05	6KJ0-060003-00001	LH INNER BUSHING, REAR SWING ARM	1	
06	6KJ0-060004-00001	RH INNER BUSHING, REAR FORK	1	
07	30204-143810	NUT M14x1.5	1	
08	6KMV-060300-C001-0BY00	REAR FORK (MAUD SPIRIT BLACK)	1	
09	30204-102810	NUT M10x1.25	1	
10	A000-050015	WIRE CLIP, FRONT BRAKE FLUID HOSE	2	
11	30200-080810	NUT M8	2	
12	30004-080060810	BOLT M8x60	2	
13	6KJ0-060002-1BB00	ADJUSTING BLOCK (MAUD SPIRIT BLACK)	2	
14	8010-000004	BOLT M6x14	2	
15	6KM#-040702-8000	INNER HEX SCREW M6x12	1	
16	6KMV-060007-6001	REAR INNER FENDER	1	
17	6KM0-060410	FIXING BRACKET, REAR FENDER	1	
18	30006-060012870	BOLT M6x12	2	
19	6KMV-060100-6000-M1-0V000	REAR SHOCK ABSORBER (WHITE)	1	
20	30006-102045810	BOLT M10x1.25x45	1	
21	6KM0-060201	CHAIN GUIDE	1	
22	30006-102050810	BOLT M10x1.25x50	1	
23	6KM#-100002-8000	RUBBER PLUG, CLUTCH LEVER	2	
24	6NQ#-000205-6001	MOUNTING SCREW, CHAIN GUARD	3	



Item No.	Parts Number	Parts Name(EN)	Qty	Remark(s)
01	6KJ0-070002	COLLAR, FRONT WHEEL AXLE	2	
02	6KM#-070100-6002-10	FRONT RIM ASSY	1	
03	6KJ0-070024	OIL SEAL	2	
04	30400-01281	BEARING 6301-2RS	2	
05	30705-1723	FRONT TIRE 110/70R17M/C54S, CST, ENVIRONMENTAL VACUUM TIRE	1	
06	6KM#-070103-6001	MIDDLE SPACER, FRONT RIM	1	
07	5190-070030-1000	VALVE, INFLATION	1	
08	6KJ0-070001-10000	AXLE, FRONT WHEEL	1	

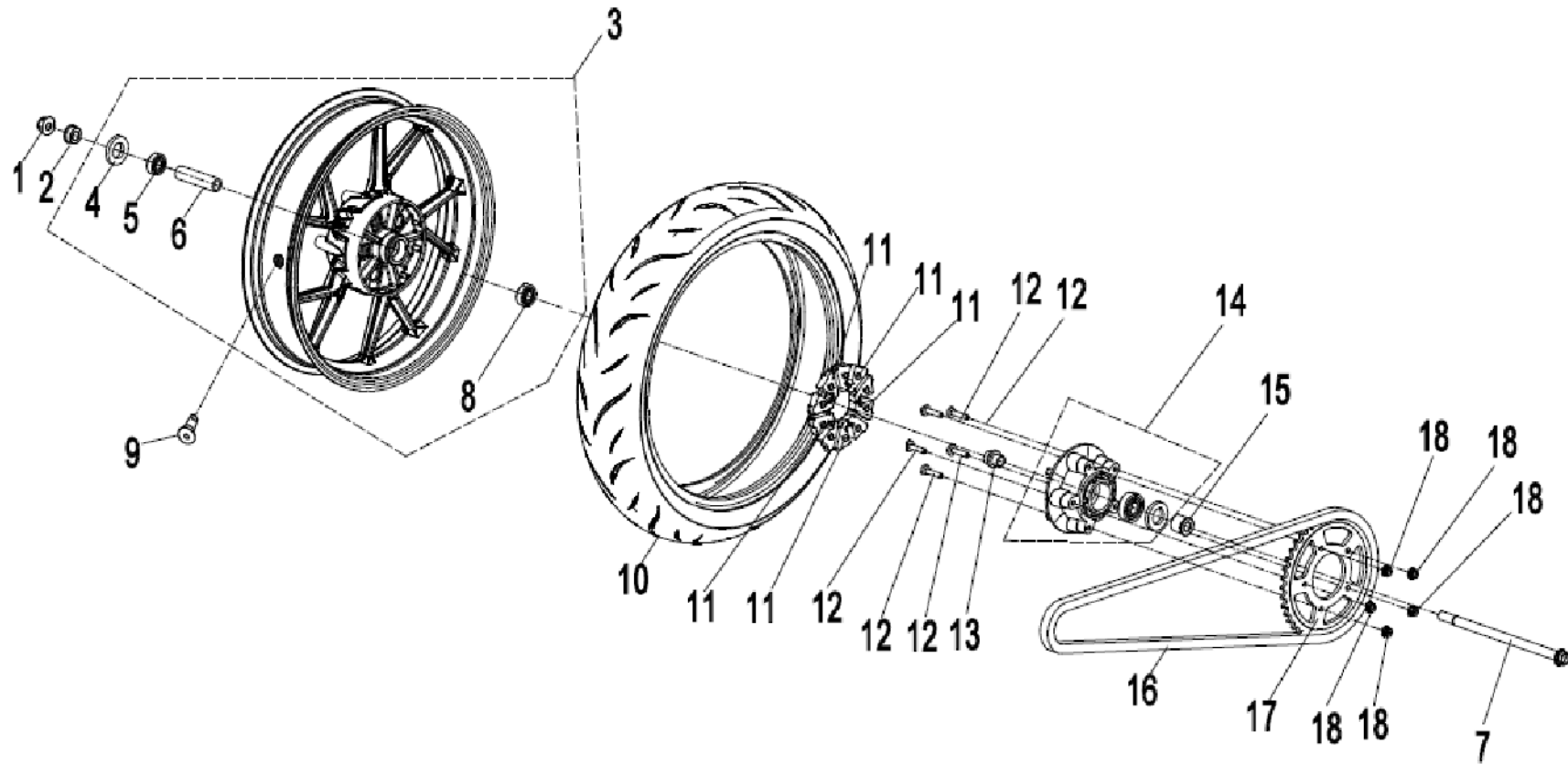


Item No.	Parts Number	Parts Name(EN)	Qty	Remark(s)
02	6KM#-091100-8001	RAER BRAKE CALIPER ASSY	1	
03	6KMV-080004-8500-M1	SPEED SENSOR	2	
04	6KJ0-080005	BOLT, FRONT BRAKE DISC	9	
05	6NTG-080009	REAR GEAR RING	1	
06	6KJ0-080002-10000	REAR BRAKE DISC	1	
07	30006-060016870	BOLT M6x16	3	
08	6KM#-091100-8000-20	MOUNTING PLATE	1	
09	A000-080213-2000	CLIP	2	
10	6KM0-091200-30000	MASTER CYLINDER, REAR BRAKE	1	
11	A000-080006-10000	WASHER 1	1	
12	A000-080007-10000	WASHER 2	1	
13	6KM#-080300-8000-0BP00	BRAKE PEDAL ASSY (MAUD SPIRIT BLACK)	1	
14	6NTG-080005	RETURN SPRING	1	
15	30303-060112	WASHER (6)	1	
16	30102-060022810	SCREW M6x22	2	
17	30006-060025810	BOLT M6x25	2	
18	5020-031002	RUBBER SLEEVE LINER, FRONT LICENSE BRACKET	2	
19	5020-031001	RUBBER SLEEVE, FRONT LICENSE BRACKET	2	
20	30006-060012870	BOLT M6x12	2	
21	6KM0-030040-0B200	ABS BRACKET (MATTE BLACK)	1	
22	6KMV-081500-B000	MBA EXECUTION UNIT	1	
23	30102-102060810	SCREW M10x1.25x60	2	
24	6KM#-080103-8101	BOLT, FUEL PIPE	7	
25	6KM#-081000-8100-20	REATAINER	16	
26	6KM#-081200-8100	FRONT BRAKE CALIPER ASSY	1	
27	6KJ0-080004	INDUCTION PLATE, COUNTER	1	
28	6KJ0-080001-20000	FRONT BRAKE DISC	1	
29	6KM0-0812B0	FRONT BRAKE PAD ASSY	1	
30	6KM#-081020-8100	OIL OUTLET HOSE, FRONT CALIPER	1	

Item No.	Parts Number	Parts Name(EN)	Qty	Remark(s)
31	6KM#-081010-8100	OIL INLET HOSE, FRONT CALIPER	1	
32	6KM0-0911A0	REAR BRAKE PAD ASSY	1	
33	6KMV-081100-B100-M1	MASTER CYLINDER, HAND BRAKE	1	
34	6KM#-080002-8000	RUBBER OIL HOSE CLIP	3	
35	6KM#-081040-8100	OIL OUTLET HOSE, REAR CALIPER	1	
36	6KM0-091201-20000	CAP, FLUID RESERVOIR	1	
37	6KM#-081030-8100	OIL INLET HOSE, REAR CALIPER	1	
38	6KMV-081700-8500-M1	HYDRAULIC SWITCH ASSY	1	
39	6KM0-091220-30000	BRAKE FLUID RESERVOIR HOSE	1	
40	6KM0-091203-20000	SEALING GASKET, FLUID RESERVOIR	1	
41	6KM0-091202-20000	SEALING LINER, FLUID RESERVOIR	1	
42	A000-080229-2000	SCREW, FLUID RESERVOIR CAP	2	
43	6KMV-081100-B000-20	BRAKE LEVER	1	

Item No.	Parts Number	Parts Name(EN)	Qty	Remark(s)
01	6KM#-100001-8200-0BP00	BALANCER	2	
02	30102-060045870	SCREW	2	
03	A000-100010-20000	RH HAND GRIP ASSY	1	
04	6KM#-100200-8200-0BP00	RH HANDLEBAR ASSY	1	
05	6KMV-168000-8600	HANDLEBAR SWITCHES ASSY, RH	1	
06	30102-060025870	SCREW M6x25	2	
07	30102-080030860	INNER HEX SCREW M8x30	2	
08	6KMV-100500-8500	THROTTLE CABLE	2	
09	A000-050015	WIRE CLIP, FRONT BRAKE FLUID HOSE	1	
10	6KJ0-100002	TIE BAND, CLUTCH	2	
11	6KM#-100100-8204	LH HANDLEBAR ASSY	1	
12	6KMV-166000-8003	HANDLEBAR SWITCH ASSY, LH	1	
13	6FI3-100300-10000	CLUTCH LEVER ASSY	1	
14	6FI3-100301	CLUTCH LEVER	1	
15	30102-060022810	SCREW M6x22	2	
16	A000-100001-10000	LH HAND GRIP	1	
17	6KM#-100400-8001	CLUTCH CABLE	1	
18	6KMV-166000-B001	DASHBOARD SWITCH	1	

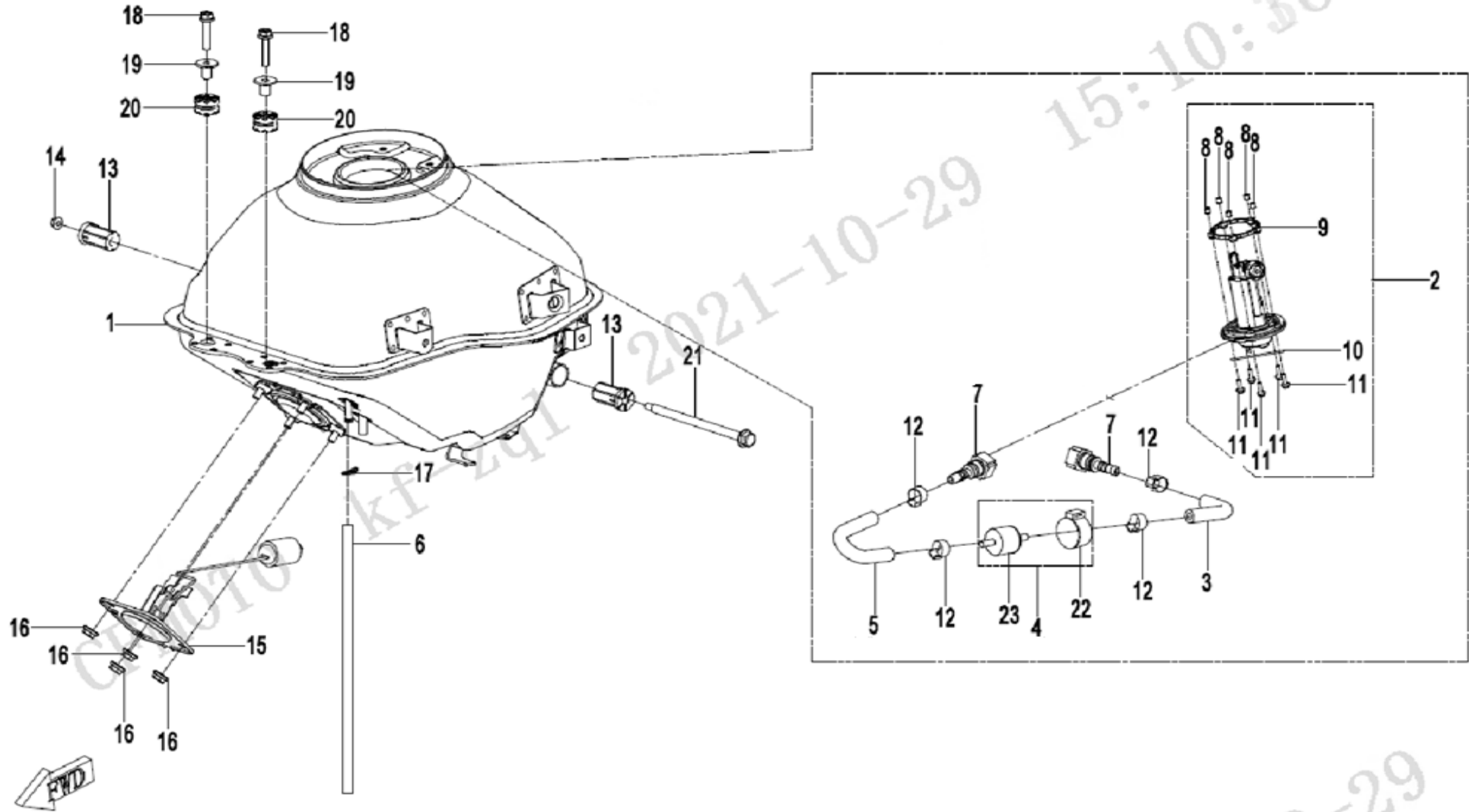
后轮/ REAR WHEEL



Item No.	Parts Number	Parts Name(EN)	Qty	Remark(s)
01	30204-143810	NUT M14x1.5	1	
02	6KJ0-110001-10000	RH SHAFT SLEEVE, REAR WHEEL	1	
03	6KM#-110100-6001-11	REAR RIM ASSY	1	
04	30500-027800N	OIL SEAL FB27x47x7	1	
05	30400-01583	BEARING 6302-2RS	1	
06	6KM#-110103-6001	MIDDLE SPACER, REAR RIM	1	
07	6KJ0-110005-20000	REAR WHEEL SHAFT	1	
08	30400-01580	BEARING 6202-2RS	1	
09	5190-070030-1000	VALVE, INFLATION	1	
10	30705-1724	REAR TIRE 140/60R17M/C63S, CST, ENVIRONMENTAL VACUUM TIRE	1	
11	6KM0-110004	RUBBER DAMPER, SPROCKET SOCKET	5	
12	6KJ0-110003	BOLT	5	
13	6KM0-110003-10000	BUSHING, SPROCKET SOCKET	1	
14	6KM0-110200-10000	SPROCKET SOCKET	1	
15	6KM0-110002-10000	SHAFT SLEEVE, REAR WHEEL	1	
16	3120924	CHAIN	1	
17	6KM#-110005-8003	REAR SPROCKET	1	
18	30204-080810	NUT M8	5	

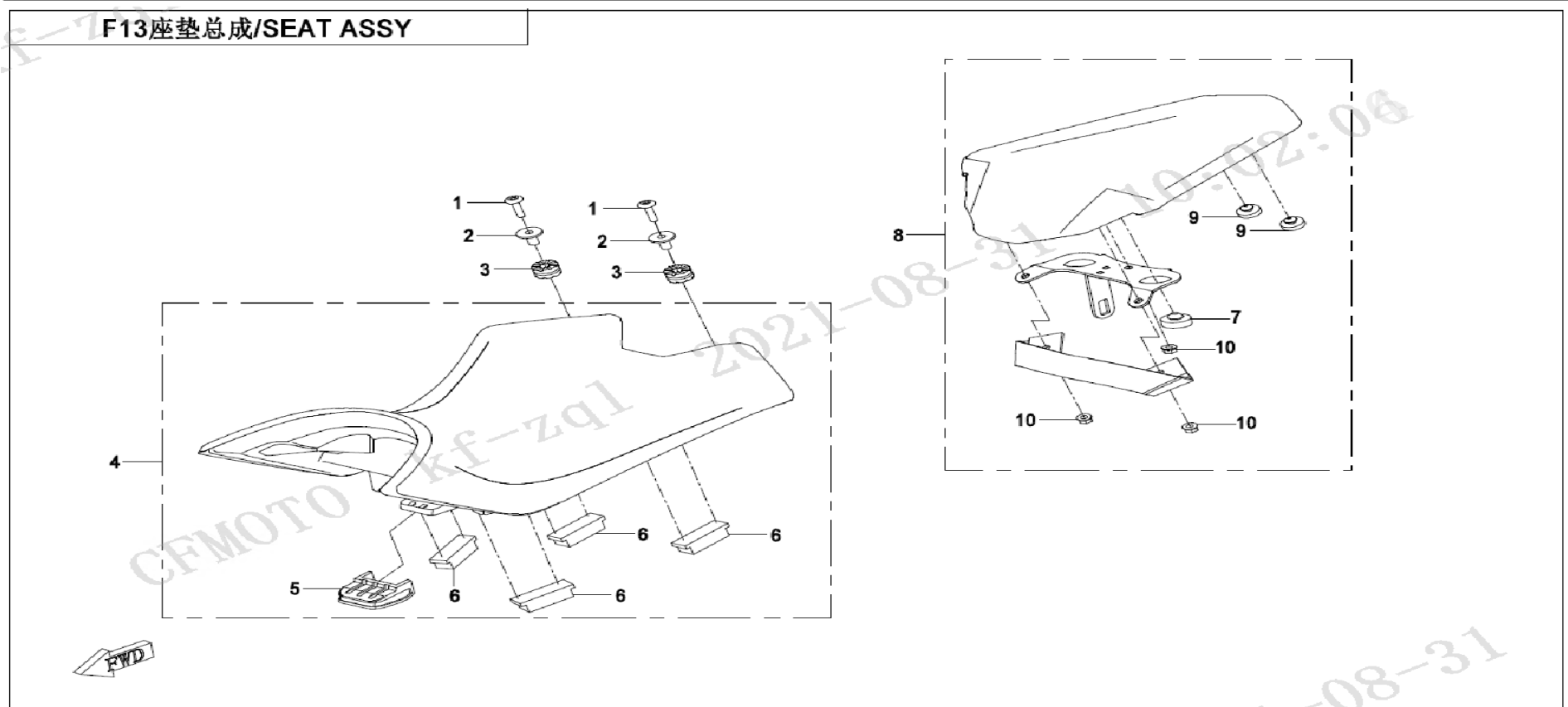
F12-V2 油箱 FUEL TANK

F12油箱/FUEL TANK



Item No.	Parts Number	Parts Name(EN)	Qty	Remark(s)
01	6KM#-121000-8000	FUEL TANK ASSY	1	
02	6KJV-150900-8001	FUEL PUMP ASSY	1	
03	6KM0-120220	HIGH-PRESSURE FUEL HOSE,II	1	
04	6090-120220	FUEL FILTER ASSY, EFI	1	
05	6KM0-120210	HIGH-PRESSURE FUEL HOSE, I	1	
06	6NQ0-120001	FUEL PIPE, FUEL TANK	1	
07	6KJ0-120330-10000	QUICK JOINT	2	
09	6KJ0-150902	SEAL WASHER, TOP COVER	1	
11	30006-050020810	BOLT M5x20	5	
12	6070-120400	CLAMP Dia 14.5A	4	
13	6KM0-120002	RUBBER BUSHING, FUEL TANK	2	
14	30204-060810	NUT M6	1	
15	6KMOV-170200-8500-M1	FUEL LEVEL SENSOR	1	
16	30202-060110	NUT M6	4	
17	30601-111010	CLAMP A11	1	
18	30006-060025810	BOLT M6x25	2	
19	6KM0-120010	T-TYPE BUSHING ASSY	2	
20	5020-031001	RUBBER SLEEVE, FRONT LICENSE BRACKET	2	
21	6KM0-120001-10000	ROTATION SHAFT, FUEL TANK	1	
22	6090-120221	RUBBER SLEEVE, FUEL FILTER, EFI	1	
23	805A-120004	FUEL FILTER, EFI	1	

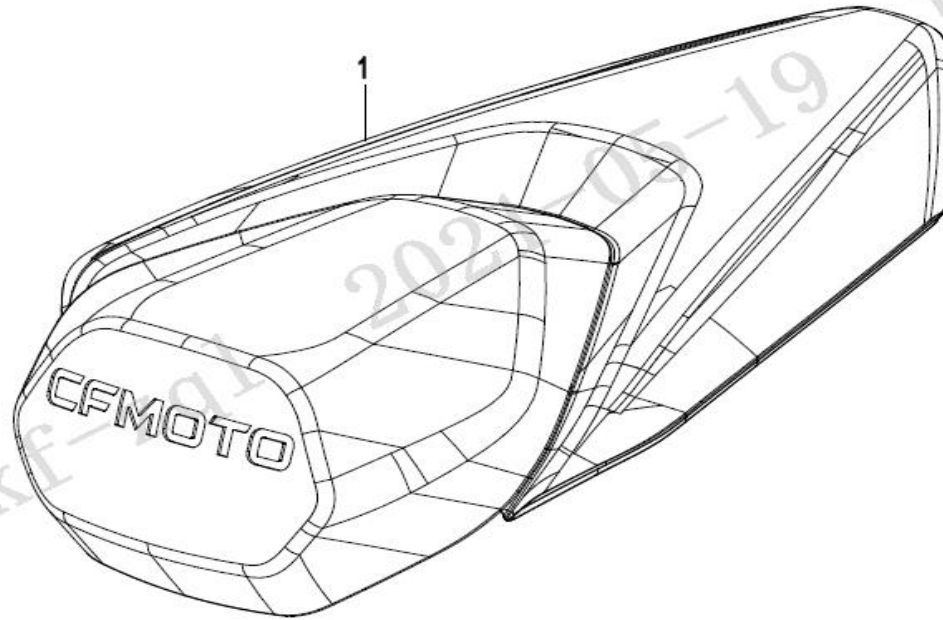
F13-A 座垫 SEAT



Item No.	Parts Number	Parts Name(EN)	Qty	Remark(s)
01	6NTG-200424	INNER HEX SCREW M6x25	2	
02	6KM0-130010	T-TYPE BUSHING ASSY	2	
03	5020-031001	RUBBER SLEEVE, FRONT LICENSE BRACKET	2	
04	6KM#-130100-8000	FRONT SEAT ASSY	1	
05	6KM0-130106	RUBBER SLEEVE	1	
07	6KM0-130205	RUBBER	1	
08	6KM#-130200-8000	REAR SEAT ASSY	1	
09	6KM0-130204	RUBBER MAT	2	
10	30204-060810	NUT M6	3	

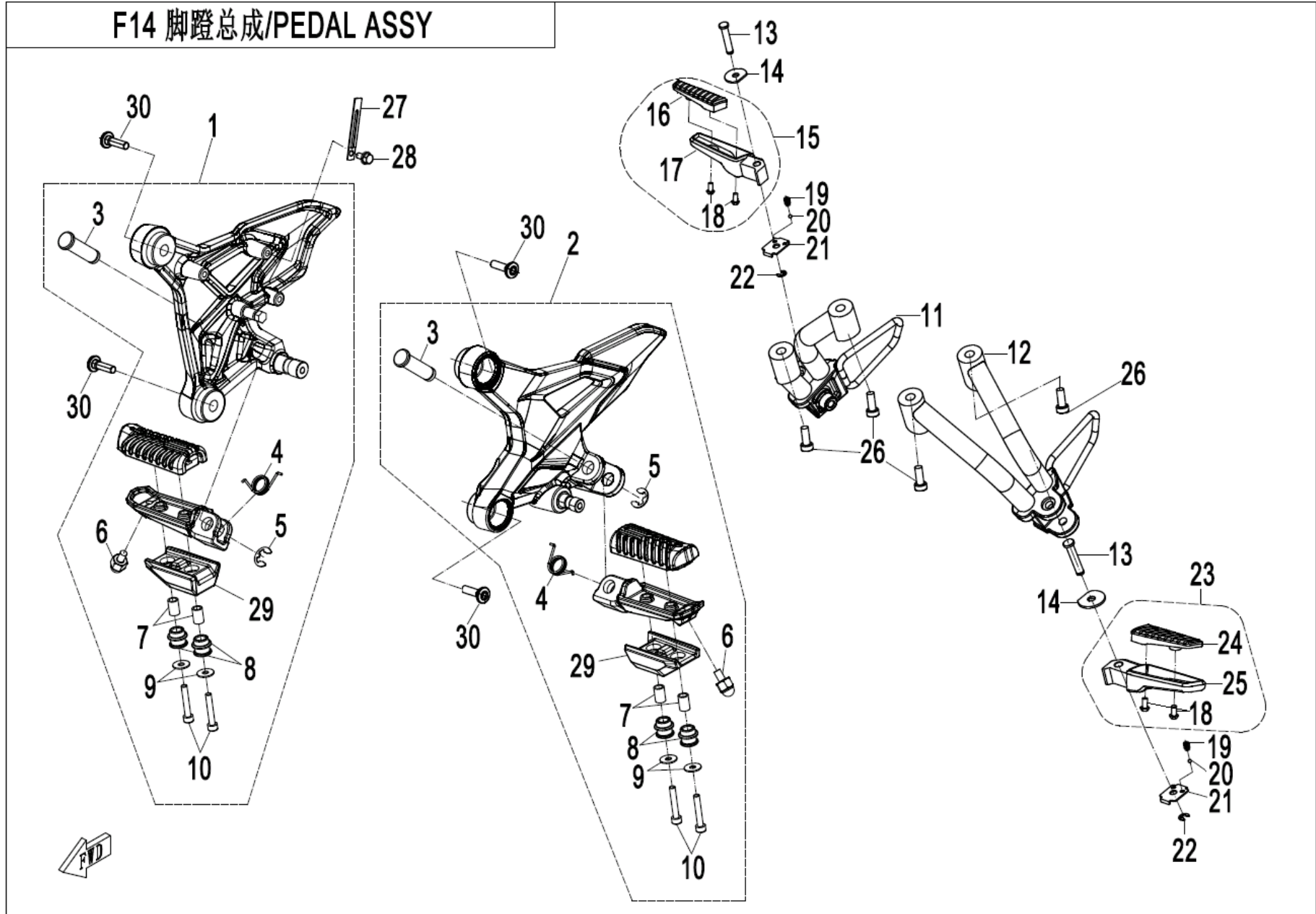
F13-C REAR SEAT ASSY (SPECIAL EDITION) (LAVA ORANGE BIKE ONLY)

驼峰总成/HUMP ASSY



Item No.	Parts Number	Parts Name(EN)	Qty	Remark(s)
01	6KMV-803310-8000	REAR SEAT ASSY (SPECIAL EDITION)	1	LAVA ORANGE

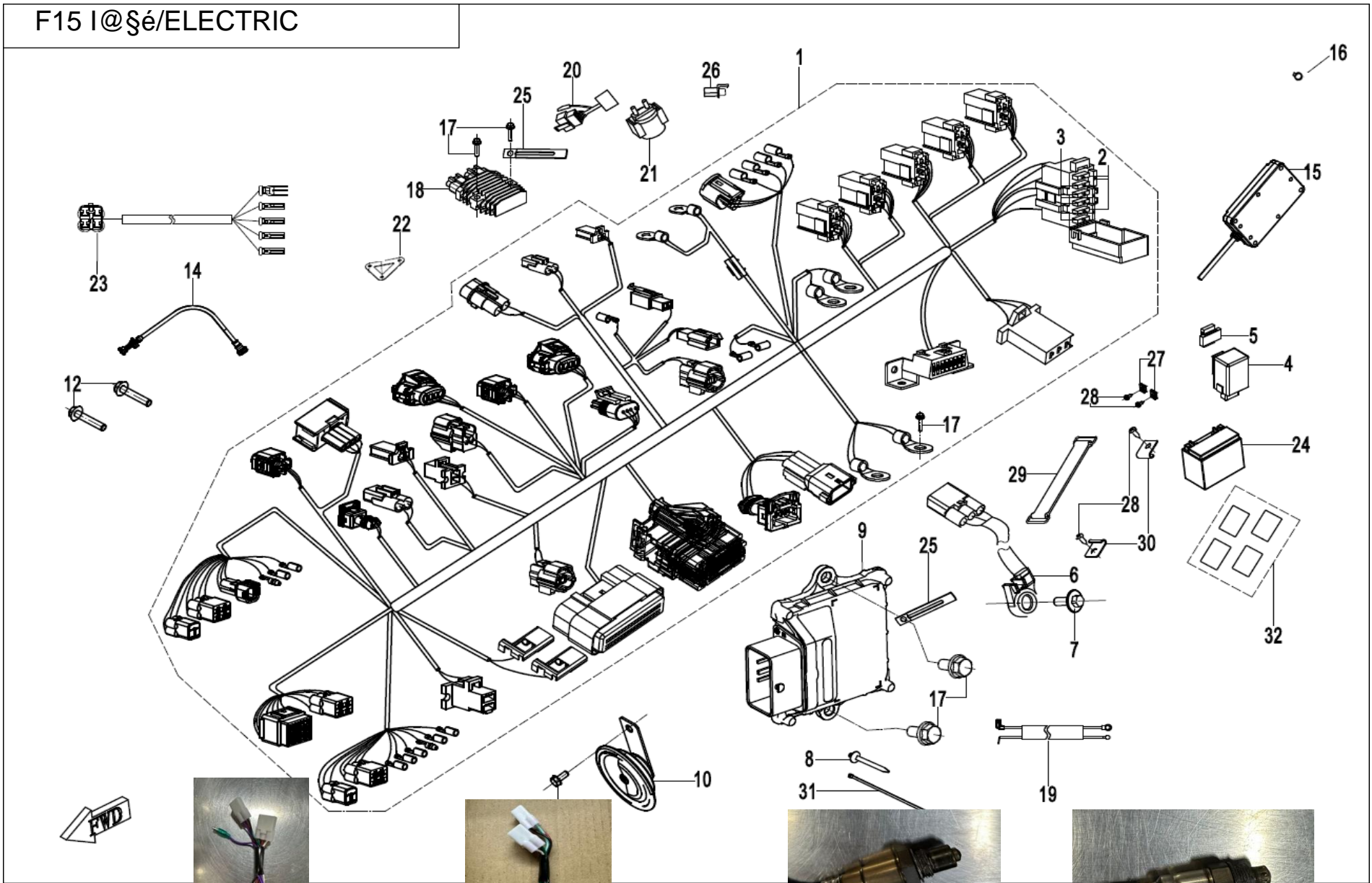
F14-V2 脚蹬 FOOTREST



Item No.	Parts Number	Parts Name(EN)	Qty	Remark(s)
01	6KMV-144000-8102-0BP00	RH FRONT FOOTREST ASSY	1	
02	6KMV-143000-8102-0BP00	LH FRONT FOOTREST ASSY	1	
03	6NQ0-140001	PIN Dia 12, FRONT FOOTREST	2	
04	A000-140103-20000	SPRING	2	
05	30802-00903	SPLIT WASHER	2	
06	6KM0-130123	BOLT	2	
07	6NTG-200419	BUSHING	4	
08	6KN0-140002	CUSHION RUBBER	4	
09	30305-050112	WASHER	4	
10	30102-050030860	SCREW M5x30	4	
11	6KMV-140040-8100-0BP00	REAR RH FOOTREST BRACKET	1	
12	6KMV-140030-8100-0BP00	REAR LH FOOTREST BRACKET	1	
13	A000-140142	PIN SHAFT Dia 8	2	
14	A000-140106	LOCATING GASKET 2	2	
15	6KJ0-140160-2BP00	RH REAR FOOTREST PEDAL	1	
16	6KJ0-140142	RUBBER ASSY, RH FOOTREST	1	
17	6KJV-140161-8000-0BP00	REAR RH FOOTREST SEAT	1	
18	30105-050014470	SCREW	4	
19	5190-037813	SPRING	2	
20	5190-037814	STEEL BALL	2	
21	A000-140104	LOCATING GASKET 1	2	
22	30802-00603	CIRCLIP 6	2	
23	6KJ0-140150-2BP00	LH REAR FOOTREST PEDAL	1	
24	6KJ0-140132	RUBBER, LH FOOT PEDAL	1	
25	6KJV-140151-8000-0BP00	REAR LH FOOTREST SEAT	1	
26	30102-080030810	SCREW	4	
27	0180-014010	WIRE CLIP	1	
28	30102-060012810	SCREW	1	
29	6KM#-140001-8001-0BP00	BALANCE BLOCK, FOOTREST	2	
30	6KM0-140103	BOLT	4	

F15 电器系统 ELECTRIC SYSTEM

F15 I@šé/ELECTRIC



20

6KMV-152700-8500-10
GEAR CONTROL BLOCK

20

6KMV-152700-8500
GEAR CONTROL BLOCK

14

0HU0-178000
OXYGEN SENSOR

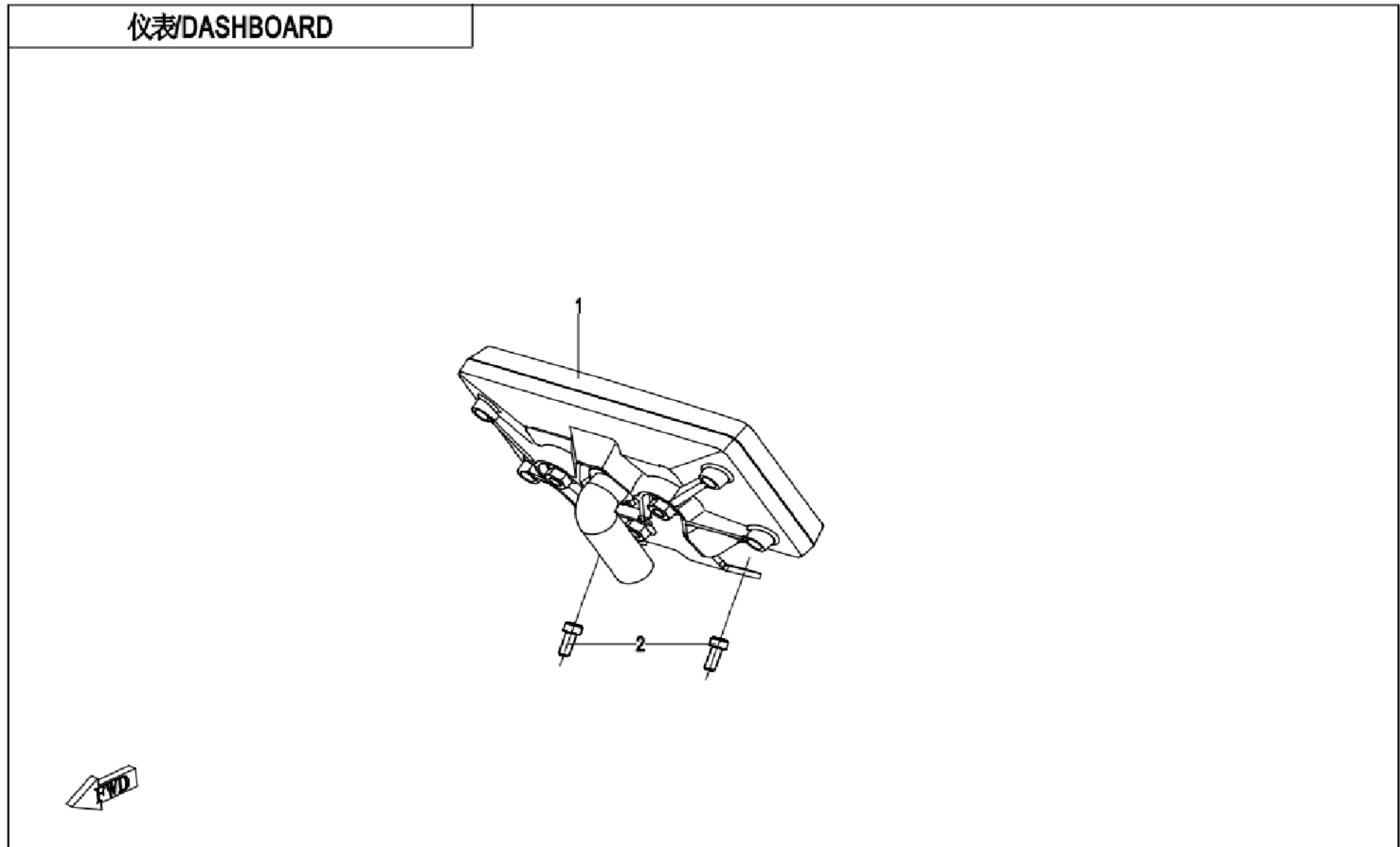
6KMV-176000-8400
OXYGEN SENSOR

Item No.	Parts Number	Parts Name(EN)	Qty	Remark(s)
01	6KMV-150100-8701-10	MAIN CABLE (MSE8.0)	1	
01	6KMV-150100-8700	MAIN CABLE	1	
02	806A-151302	FUSE 10A	3	
03	806A-151305	FUSE 15A	6	
04	6KM0-150340	FLASHER	1	
05	8010-150002	CUSHION WASHER, FLASHER	1	
06	6KMV-151200-8501	SWITCH SIDE STAND	1	
07	8010-090005	BOLT M6x16	1	
08	7030-150005	TIE BAND	5	
09	6KMV-001000-8910	ECU ASSY (MSE 8.0)	1	
09	6KMV-001000-B100	ECU ASSY	1	
10	6NT1-150600	HORN	1	
11	30006-080014810	BOLT M8x14	1	
12	30006-050020810	BOLT M5x20	2	
14	6KMV-176000-8400	OXYGEN SENSOR	1	
14	0HU0-176000	OXYGEN SENSOR	1	
15	6GUV-151800-7501-M1	T-BOX (EU/AU/MIDDLE EAST/AFRICA/SOUTHEAST ASIA/WESTERN ASIA)	1	
16	6KMV-150901-B001	RUBBER RING, T-BOX	2	
17	30006-060012870	BOLT M6x12	5	
18	6KJC-177000-8000	REGULATOR	1	
19	6KMV-150020-8004	POSITIVE CABLE, STARTER MOTOR	1	
20	6KMV-152700-8500-10	GEAR CONTROL BLOCK	1	3 SOCKET
20	6KMV-152700-8500	GEAR CONTROL BLOCK	1	2 SOCKET
21	6KJ0-150500	RELAY, STARTER	1	
22	6KM#-151000-8000	BRACKET, REGULATOR	5	
23	6KM#-150101-8001	ADAPTOR CABLE, LICENSE LIGHT	5	
24	31020902	BATTERY	1	
25	0180-014010	WIRE CLAMP	2	
26	6090-150500	DIODE, STARTER	1	

27	8080-000002	CLIP NUT ST4.8	2	
28	30110-481130010	SELF-TAPPING SCREW ST4.8x13	4	
29	1080-150700	TIE BAND, BATTERY	1	
30	A000-030005	TIE BAND BRACKET, TOOLS KIT	2	
31	8010-150003	TIE BAND 5x250	13	
32	9010-120008	SPONGE PAD, FUEL TANK	6	

Item No.	Parts Number	Parts Name(EN)	Qty	Remark(s)
01	6KM#-160400-8000	LH FRONT TURN LIGHT	2	
02	6KNV-160410-8300	LH FRONT POSITION LIGHT	1	
03	6KNV-160420-8300	RH FRONT POSITION LIGHT	1	
04	30001-060016810	BOLT M6x16	2	
05	6090-040302	RUBBER DAMPER	2	
06	6090-040303	BUSHING	2	
07	30110-481130010	SELF-TAPPING SCREW ST4.8x13	4	
08	8030-040800-00001	NUT CLIP M6	2	
09	6KM#-160500-8000	RH FRONT TURN LIGHT	1	
10	5020-031001	RUBBER SLEEVE, FRONT LICENSE BRACKET	2	
11	6KM#-160800-8001	RUBBER SLEEVE, FRONT LICENSE BRACKET	2	
12	30206-060510	NUT M6	2	
13	6FIV-160600-6601	LICENSE LIGHT	1	
14	6KMOV-160100-8003	HEADLIGHT	1	
15	6KMOV-160200-8004	TAIL LIGHT	1	
16	6KM0-160230-00001	REAR REFLECTOR	1	
17	6KM#-160420-8001	SPONGE MAT	6	
18	6KM#-160410-8000	SPONGE MAT	1	
19	6KM0-160500-00004	FRONT TURN LIGHT, RH	1	
20	6KM0-160400-00004	FRONT TURN LIGHT, LH	1	

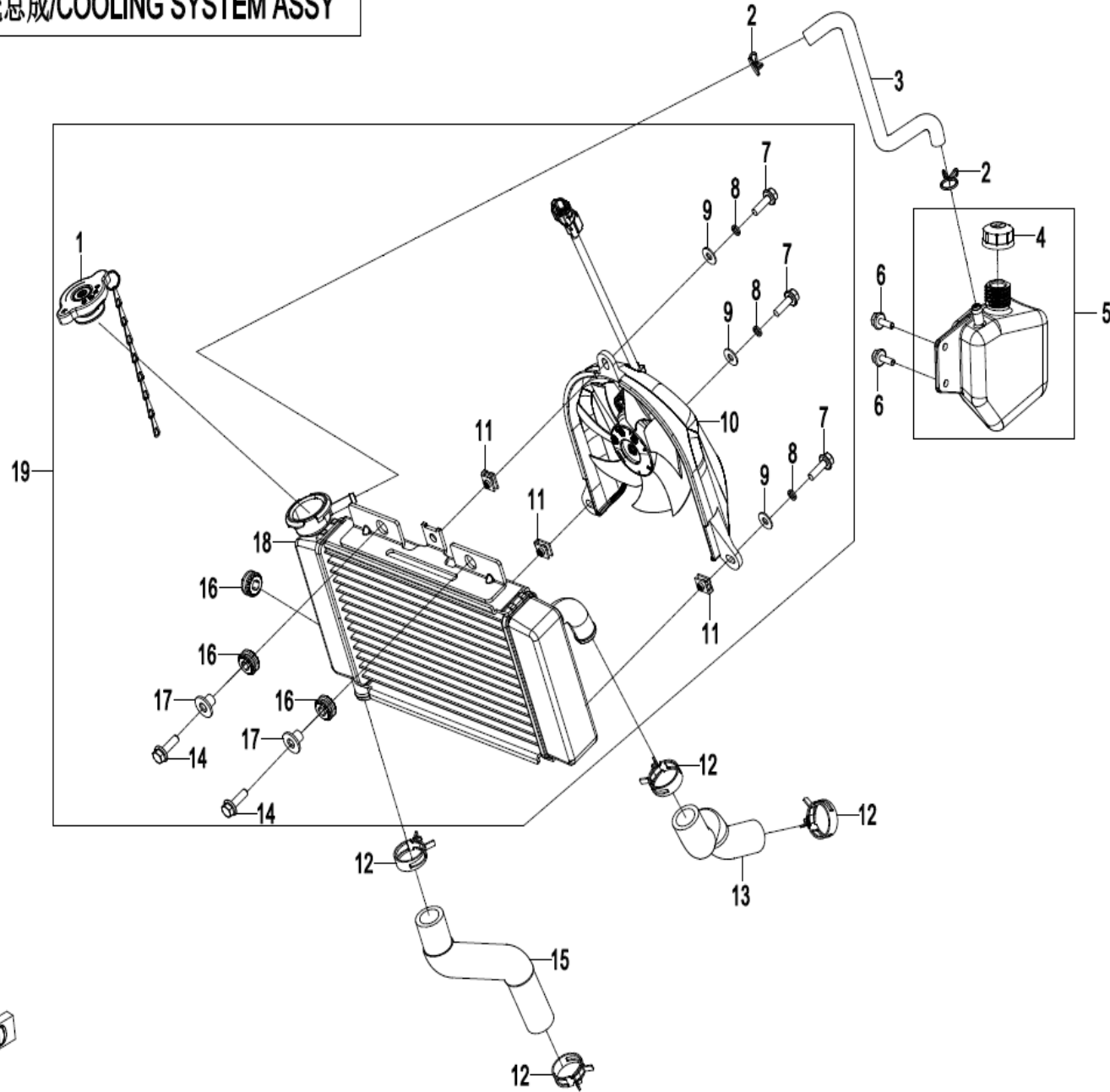
F17-A 仪表(TFT) DASHBOARD(TFT)



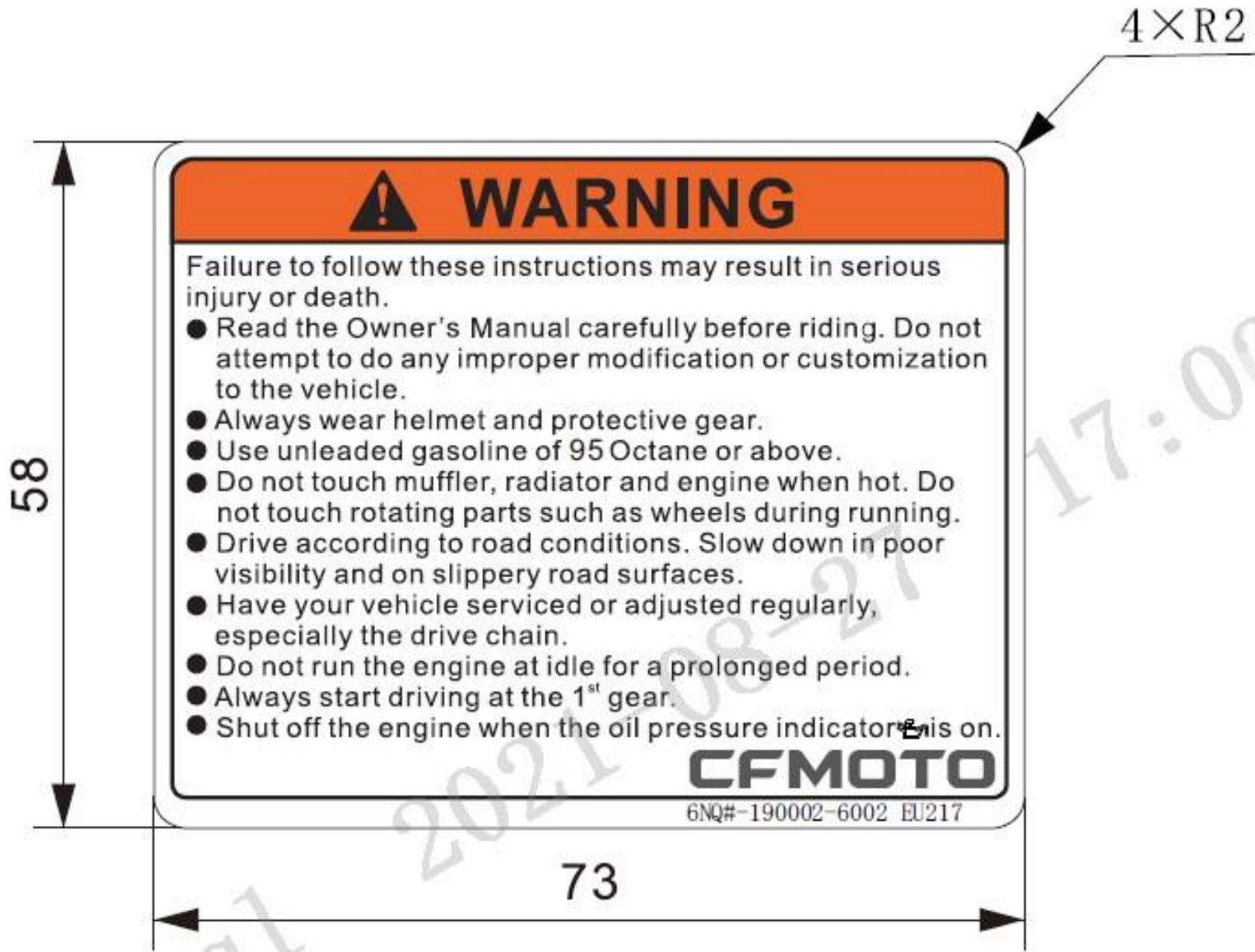
Item No.	Parts Number	Parts Name(EN)	Qty	Remark(s)
01	6KMV-171000-8701	TFT DASHBOARD	1	
02	30102-060016810	SCREW	2	

F18 冷却系统 COOLING SYSTEM

冷却系统总成/COOLING SYSTEM ASSY



Item No.	Parts Number	Parts Name(EN)	Qty	Remark(s)
1	8010-180024	CAP, WATER FILLER	1	
2	30601-113010	CLAMP A13	2	
3	6KM#-180003-8000	CONNECTING PIEP, RESERVOIR	1	
4	6KMV-180200-8002	RESERVOIR TANK ASSY	1	
5	6KM#-180210-8000	RESERVOIR TANK CAP ASSY	1	
6	30006-050016810	BOLT M5x16	2	
7	30006-060020810	BOLT M6x20	3	
8	30303-060112	WASHER 6	3	
9	30306-060112	WASHER 6	3	
10	6KM#-181200-8004	FAN MOTOR ASSY	1	
11	8030-040800-00001	NUT CLIP M6	3	
12	6KM0-180004	CLAMP B28	4	
13	6KM#-180001-8000	WATER INLET PIPE, RADIATOR	2	
14	30006-060022810	BOLT M6x22	2	
15	6KM#-180002-8000	WATER OUTLET PIPE, RADIATOR	1	
16	6KM#-181001-8001	DAMPING RUBBER MAT	3	
17	9060-180029	RUBBER CUSHION TUBE, RADIATOR	2	
18	6KM#-181100-8004	RADIATOR ASSY	1	
19	6KM#-181000-8004	RADIATOR FAN ASSY	1	



Item No.	Parts Number	Parts Name(EN)	Qty	Remark(s)
1	6NQ#-190002-6002	INSTRUCTION LABEL, SAFETY WARNING	1	

F19-2-A 贴花(星光黑-ABS) DECAL(NEBULA BLACK- ABS)



序号	图号	名称	尺寸	数量	材料	表面效果	粘接弧度	粘接表面基材	粘接表面处理
01	6KMV-190301-8500-10	商品名贴花	94*19	2	JLB100#BD	亮光光油	平面	塑料	亮光油漆



序号	图号	名称	尺寸	数量	材料	表面效果	粘接弧度	粘接表面基材	粘接表面处理
02	6KMV-190302-8500-10	CFMOTO贴花	134*20	2	JLB100#BD	亮光光油	平面	塑料	亮光油漆



序号	图号	名称	尺寸	数量	材料	表面效果	粘接弧度	粘接表面基材	粘接表面处理
22	6KMV-190326-A000-10	型号贴花	85*12	2	He110	哑光光油	平面	塑料	亮光油漆

亚光珍珠黑



序号	图号	名称	尺寸	数量	材料	表面效果	粘接弧度	粘接表面基材	粘接表面处理
32	6KMV-190337-8500-10	口号贴花	115*8	2	He110	哑光光油	平面	塑料	碳纤维水转印

EXPERIENCE MORE TOGETHER

6KMV-190300-A000-10 个性贴花总成

星光黑配色



序号	图号	名称	尺寸	数量	材料	表面效果	粘接弧度	粘接表面基材	粘接表面处理
01	6KMV-190301-8500-10	商品名称花	94*19	2	JLB100#80	亮光光面	平面	塑料	亮光漆膜



序号	图号	名称	尺寸	数量	材料	表面效果	粘接弧度	粘接表面基材	粘接表面处理
02	6KMV-190302-8500-10	CFMOTO贴花	134*20	2	JLB100#80	亮光光面	平面	塑料	亮光漆膜



序号	图号	名称	尺寸	数量	材料	表面效果	粘接弧度	粘接表面基材	粘接表面处理
22	6KMV-190326-A000-10	型号贴花	85*12	2	9#110	哑光光面	平面	塑料	亮光漆膜

星光珍珠黑

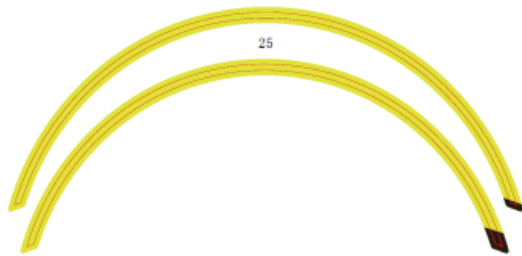


序号	图号	名称	尺寸	数量	材料	表面效果	粘接弧度	粘接表面基材	粘接表面处理
32	6KMV-190327-8500-10	型号贴花	115*6	2	9#110	哑光光面	平面	塑料	哑光漆膜



序号	图号	名称	尺寸	数量	材料	表面效果	粘接弧度	粘接表面基材	粘接表面处理
23	6KMV-190327-8500-10	后轮脚踏花	474*181	2	90#6+3# 90#0	亮光光面	20大弧度	铝合金	亮光漆膜
25	6KMV-190329-8500-10	后脚踏贴花	450*172	2	90#6+3# 90#0	亮光光面	20大弧度	铝合金	亮光漆膜

23



序号	图号	名称	尺寸	数量	材料	表面效果	粘接弧度	粘接表面基材	粘接表面处理
24	6KMV-190328-8500-10	脚踏贴花	330*22	2	80#6+3# 90#0	亮光光面黑色部分亮光	20大弧度	铝合金	亮光漆膜



序号	图号	名称	尺寸	数量	材料	表面效果	粘接弧度	粘接表面基材	粘接表面处理
26	6KMV-190331-8500-10	脚踏贴花	330*22	2	80#6+3# 90#0	亮光光面黑色部分亮光	20大弧度	铝合金	亮光漆膜



序号	图号	名称	尺寸	数量	材料	表面效果	粘接弧度	粘接表面基材	粘接表面处理
27	6KMV-190332-8500-10	ABS贴花	89*15	2	JLB100#80	亮光光面	平面	塑料	亮光漆膜



序号	图号	名称	尺寸	数量	材料	表面效果	粘接弧度	粘接表面基材	粘接表面处理
28	6KMV-190333-8500-10	右分叉贴花	528*85	1	JLB100#80	亮光光面	30小弧度	塑料	亮光漆膜
29	6KMV-190334-8500-10	右分叉贴花	528*85	1	JLB100#80	亮光光面	30小弧度	塑料	亮光漆膜

28

29

序号	图号	名称	尺寸	数量	材料	表面效果	粘接弧度	粘接表面基材	粘接表面处理
30	6KMV-190335-8500-10	右分叉贴花	119*15	1	JLB100#80	亮光光面	20大弧度	塑料	亮光漆膜

序号	图号	名称	尺寸	数量	材料	表面效果	粘接弧度	粘接表面基材	粘接表面处理
31	6KMV-190336-8500-10	右分叉贴花	122*15	1	JLB100#80	亮光光面	20大弧度	塑料	亮光漆膜

序号	图号	名称	尺寸	数量	材料	表面效果	粘接弧度	粘接表面基材	粘接表面处理
33	6KMV-190338-8500-10	后脚踏贴花	128*19	1	JLB100#80	亮光光面	平面	塑料	亮光漆膜



注：整线线1mm宽，是贴花工人定位用的，严格按照1mm做



序号	图号	名称	尺寸	数量	材料	表面效果	粘接弧度	粘接表面基材	粘接表面处理
03	6KMV-190303-8500-10	左脚踏贴花	178*81	1	JLB100#80	亮光光面	20小弧度	塑料	亮光漆膜
04	6KMV-190304-8500-10	左脚踏贴花	89*47	1	JLB100#80	亮光光面	20小弧度	塑料	亮光漆膜
05	6KMV-190305-8500-10	左脚踏贴花	148*159	1	JLB100#80	亮光光面	20小弧度	塑料	亮光漆膜
06	6KMV-190306-8500-10	左脚踏贴花	3*419	1	JLB100#80	亮光光面	20小弧度	塑料	亮光漆膜
07	6KMV-190307-8500-10	左脚踏贴花	235*124	1	JLB100#80	亮光光面	20小弧度	塑料	亮光漆膜
08	6KMV-190308-8500-10	左脚踏贴花	53*43	1	JLB100#80	亮光光面	20小弧度	塑料	亮光漆膜
09	6KMV-190309-8500-10	左脚踏贴花	58*53	1	JLB100#80	亮光光面	20小弧度	塑料	亮光漆膜
10	6KMV-190311-8500-10	左脚踏贴花	5*451	1	JLB100#80	亮光光面	20小弧度	塑料	亮光漆膜
11	6KMV-190312-8500-10	左脚踏贴花	58*50	1	JLB100#80	亮光光面	20小弧度	塑料	亮光漆膜
12	6KMV-190313-8500-10	左脚踏贴花	120*73	1	JLB100#80	亮光光面	20小弧度	塑料	亮光漆膜
13	6KMV-190314-8500-10	左脚踏贴花	2*826	1	JLB100#80	亮光光面	20小弧度	塑料	亮光漆膜
14	6KMV-190315-8500-10	左脚踏贴花	93*46	1	JLB100#80	亮光光面	20小弧度	塑料	亮光漆膜
15	6KMV-190316-8500-10	右脚踏贴花	197*88	1	JLB100#80	亮光光面	20小弧度	塑料	亮光漆膜
16	6KMV-190317-8500-10	右脚踏贴花	158*43	1	JLB100#80	亮光光面	20小弧度	塑料	亮光漆膜
17	6KMV-190318-8500-10	右脚踏贴花	199*121	1	JLB100#80	亮光光面	20小弧度	塑料	亮光漆膜
18	6KMV-190319-8500-10	右脚踏贴花	47*32	1	JLB100#80	亮光光面	20小弧度	塑料	亮光漆膜
19	6KMV-190321-8500-10	右脚踏贴花	180*52	1	JLB100#80	亮光光面	20小弧度	塑料	亮光漆膜
20	6KMV-190322-8500-10	右脚踏贴花	238*182	1	JLB100#80	亮光光面	20小弧度	塑料	亮光漆膜
21	6KMV-190323-8500-10	右脚踏贴花	99*136	1	JLB100#80	亮光光面	20小弧度	塑料	亮光漆膜

序号	图号	名称	尺寸	数量	材料	表面效果	粘接弧度	粘接表面基材	粘接表面处理
23	6KMV-190327-8500-10	前轮钢贴花	474*181	2	80#B+3M 9080	亮光光油	2D大弧度	铝合金	哑光磨砂
25	6KMV-190329-8500-10	后轮钢贴花	450*172	2	80#B+3M 9080	亮光光油	2D大弧度	铝合金	哑光磨砂

23



25

序号	图号	名称	尺寸	数量	材料	表面效果	粘接弧度	粘接表面基材	粘接表面处理
24	6KMV-190328-8500-10	轮钢贴花 I	330*22	2	80#B+3M 9080	哑光光油黑色部分亮光	2D大弧度	铝合金	哑光磨砂



序号	图号	名称	尺寸	数量	材料	表面效果	粘接弧度	粘接表面基材	粘接表面处理
26	6KMV-190331-8500-10	轮钢贴花 II	330*22	2	80#B+3M 9080	哑光光油黑色部分亮光	2D大弧度	铝合金	哑光磨砂



序号	图号	名称	尺寸	数量	材料	表面效果	粘接弧度	粘接表面基材	粘接表面处理
27	6KMV-190332-8500-10	ABS贴花	69*15	2	JLB100#BD	亮光光油	平面	塑料	亮光油漆



序号	图号	名称	尺寸	数量	材料	表面效果	粘接弧度	粘接表面基材	粘接表面处理
28	6KMV-190333-8500-10	左分段贴花 I	528*85	1	JLB100#BD	亮光光油	3D小弧度	塑料	亮光油漆
29	6KMV-190334-8500-10	右分段贴花 I	528*85	1	JLB100#BD	亮光光油	3D小弧度	塑料	亮光油漆

28



29

序号	图号	名称	尺寸	数量	材料	表面效果	粘接弧度	粘接表面基材	粘接表面处理
30	6KMV-190335-8500-10	左分段贴花 II	118*15	1	JLB100#BD	亮光光油	2D大弧度	塑料	亮光油漆



序号	图号	名称	尺寸	数量	材料	表面效果	粘接弧度	粘接表面基材	粘接表面处理
31	6KMV-190336-8500-10	右分段贴花 II	122*15	1	JLB100#BD	亮光光油	2D大弧度	塑料	亮光油漆



序号	图号	名称	尺寸	数量	材料	表面效果	粘接弧度	粘接表面基材	粘接表面处理
33	6KMV-190338-8500-10	后护板贴花	128*19	1	JLB100#BD	亮光光油	平面	塑料	亮光油漆



贴花(星光黑-ABS) DECAL(NEBULA BLACK- ABS)

Item No.	Parts Number	Parts Name(EN)	Qty	Remark(s)
01	6KMV-190301-8500-10	COMMERCIAL NAME DECAL	2	
02	6KMV-190302-8500-10	CFMOTO STICKER	2	
03	6KMV-190303-8500-10	DECAL 1, LH PANEL	1	
04	6KMV-190304-8500-10	DECAL 2, LH PANEL	1	
05	6KMV-190305-8500-10	DECAL 3, LH PANEL	1	
06	6KMV-190306-8500-10	DECAL 4, LH PANEL	1	
07	6KMV-190307-8500-10	DECAL 5, LH PANEL	1	
08	6KMV-190308-8500-10	DECAL 6, LH PANEL	1	
09	6KMV-190309-8500-10	DECAL 7, LH PANEL	1	
10	6KMV-190311-8500-10	DECAL 8, LH PANEL	1	
11	6KMV-190312-8500-10	DECAL 9, LH PANEL	1	
12	6KMV-190313-8500-10	DECAL 10, LH PANEL	1	
13	6KMV-190314-8500-10	DECAL 11, LH PANEL	1	
14	6KMV-190315-8500-10	DECAL 12, LH PANEL	1	
15	6KMV-190316-8500-10	DECAL 1, RH PANEL	1	
16	6KMV-190317-8500-10	DECAL 2, RH PANEL	1	
17	6KMV-190318-8500-10	DECAL 3, RH PANEL	1	
18	6KMV-190319-8500-10	DECAL 4, RH PANEL	1	
19	6KMV-190321-8500-10	DECAL 5, RH PANEL	1	
20	6KMV-190322-8500-10	DECAL 6, RH PANEL	1	
21	6KMV-190323-8500-10	DECAL 7, RH PANEL	1	
23	6KMV-190327-8500-10	DECAL, FRONT RIM	2	
24	6KMV-190328-8500-10	DECAL 1, RIM	2	
25	6KMV-190329-8500-10	DECAL, REAR RIM	2	
26	6KMV-190331-8500-10	DECAL 2, RIM	2	
27	6KMV-190332-8500-10	ABS DECAL	2	
28	6KMV-190333-8500-10	LH DECAL 1	1	
29	6KMV-190334-8500-10	RH DECAL 1	1	

30	6KMV-190335-8500-10	LH DECAL 2	1	
31	6KMV-190336-8500-10	RH DECAL 2	1	
32	6KMV-190337-8500-10	SLOGAN DECAL	2	
33	6KMV-190338-8500-10	DECAL, REAR PANEL	1	

F19-2-B 贴花(星光白-ABS) DECAL(NEBULA WHITE-ABS)



序号	图号	名称	尺寸	数量	材料	表面效果	粘接弧度	粘接表面基材	粘接表面处理
01	6KMV-190301-8500-11	商品名贴花	89*14	2	HE110	亮光光油	平面	塑料	亮光光油

250SR

序号	图号	名称	尺寸	数量	材料	表面效果	粘接弧度	粘接表面基材	粘接表面处理
02	6KMV-190302-8500-11	CFMOTO贴花	134*20	2	HE110	亮光光油	平面	塑料	亮光油漆

CFMOTO

序号	图号	名称	尺寸	数量	材料	表面效果	粘接弧度	粘接表面基材	粘接表面处理
22	6KMV-190326-A000-11	型号贴花	81*8	2	HE110	亮光光油	平面	塑料	亮光油漆

序号	图号	名称	尺寸	数量	材料	表面效果	粘接弧度	粘接表面基材	粘接表面处理
28	6KMV-190333-8500-11	下护板贴花	119*38	2	HE110	哑光光油	平面	塑料	亮光光油

SR

序号	图号	名称	尺寸	数量	材料	表面效果	粘接弧度	粘接表面基材	粘接表面处理
29	6KMV-190334-8500-11	后护板贴花	128*19	1	HE110	亮光光油	平面	塑料	亮光油漆

MORE FUN

序号	图号	名称	尺寸	数量	材料	表面效果	粘接弧度	粘接表面基材	粘接表面处理
30	6KMV-190337-8500-10	口号贴花	115*8	2	HE110	哑光光油	平面	塑料	碳纤维水转印



6KMV-190300-A000-11 个性贴花总成 星光白配色

序号	图号	名称	尺寸	数量	材料	表面效果	粘接弧度	粘接表面基材	粘接表面处理
01	6KMV-190301-8500-11	高山车贴花	89*14	2	HE110	星光光面	平面	塑料	星光光面

250SR

序号	图号	名称	尺寸	数量	材料	表面效果	粘接弧度	粘接表面基材	粘接表面处理
02	6KMV-190302-8500-11	CFMOTO贴花	134*20	2	HE110	星光光面	平面	塑料	星光光面

CFMOTO

序号	图号	名称	尺寸	数量	材料	表面效果	粘接弧度	粘接表面基材	粘接表面处理
22	6KMV-190326-8500-11	型号贴花	81*8	2	HE110	星光光面	平面	塑料	星光光面

序号	图号	名称	尺寸	数量	材料	表面效果	粘接弧度	粘接表面基材	粘接表面处理
23	6KMV-190327-8500-11	后轮圈贴花	119*38	2	HE110	星光光面	平面	塑料	星光光面

SR

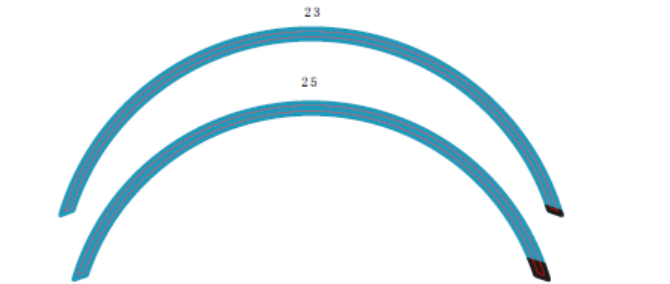
序号	图号	名称	尺寸	数量	材料	表面效果	粘接弧度	粘接表面基材	粘接表面处理
24	6KMV-190331-8500-11	后脚踏贴花	128*19	1	HE110	星光光面	平面	塑料	星光光面

MORE FUN

序号	图号	名称	尺寸	数量	材料	表面效果	粘接弧度	粘接表面基材	粘接表面处理
25	6KMV-190332-8500-10	以号贴花	115*8	2	HE110	星光光面	平面	塑料	磨砂水转印

EXPERIENCE MORE TOGETHER

序号	图号	名称	尺寸	数量	材料	表面效果	粘接弧度	粘接表面基材	粘接表面处理
23	6KMV-190327-8500-11	后轮圈贴花	474*181	2	80R8*3M 9080	星光光面	20大弧度	铝合金	星光磨砂
25	6KMV-190329-8500-11	后脚踏贴花	450*172	2	80R8*3M 9080	星光光面	20大弧度	铝合金	星光磨砂



序号	图号	名称	尺寸	数量	材料	表面效果	粘接弧度	粘接表面基材	粘接表面处理
24	6KMV-190328-8500-11	轮圈贴花I	330*22	2	80R8*3M 9080	星光光面黑色部分星光	20大弧度	铝合金	星光磨砂

CFMOTO

序号	图号	名称	尺寸	数量	材料	表面效果	粘接弧度	粘接表面基材	粘接表面处理
26	6KMV-190331-8500-11	轮圈贴花II	330*22	2	80R8*3M 9080	星光光面黑色部分星光	20大弧度	铝合金	星光磨砂

SR

序号	图号	名称	尺寸	数量	材料	表面效果	粘接弧度	粘接表面基材	粘接表面处理
27	6KMV-190332-8500-10	ABS贴花	69*15	2	JL810080	星光光面	平面	塑料	星光光面

ABS

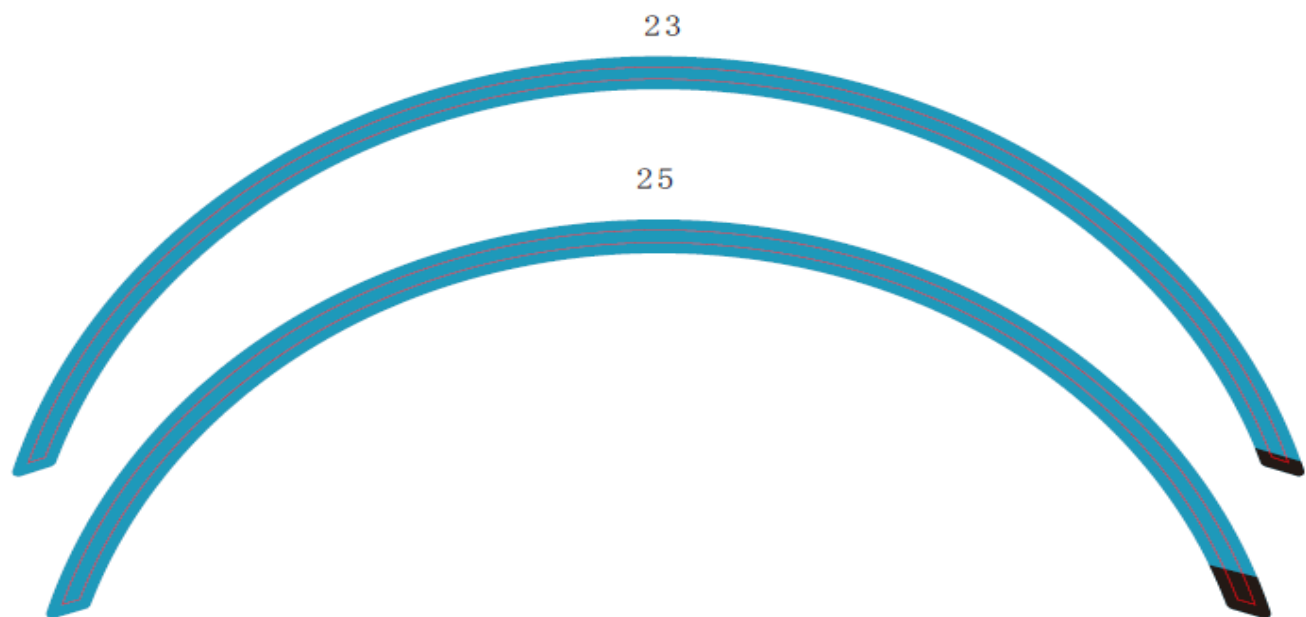
注：整线线1mm宽，是贴花工人定位用的，严格按照1mm做

PANTONE COOL GRAY 7 C 整膜线



序号	图号	名称	尺寸	数量	材料	表面效果	粘接弧度	粘接表面基材	粘接表面处理
03	6KMV-190303-8500-11	左脚踏贴花I	176*61	1	JL810080	星光光面	30小弧度	塑料件	星光光面
04	6KMV-190304-8500-11	左脚踏贴花II	86*47	1	JL810080	星光光面	30小弧度	塑料件	星光光面
05	6KMV-190305-8500-11	左脚踏贴花III	168*159	1	JL810080	星光光面	30小弧度	塑料件	星光光面
06	6KMV-190306-8500-11	左脚踏贴花IV	34*19	1	JL810080	星光光面	30小弧度	塑料件	星光光面
07	6KMV-190307-8500-11	左脚踏贴花V	235*124	1	JL810080	星光光面	30小弧度	塑料件	星光光面
08	6KMV-190308-8500-11	左脚踏贴花VI	53*83	1	JL810080	星光光面	30小弧度	塑料件	星光光面
09	6KMV-190309-8500-11	左脚踏贴花VII	58*53	1	JL810080	星光光面	30小弧度	塑料件	星光光面
10	6KMV-190311-8500-11	左脚踏贴花VIII	54*51	1	JL810080	星光光面	30小弧度	塑料件	星光光面
11	6KMV-190312-8500-11	左脚踏贴花IX	56*50	1	JL810080	星光光面	30小弧度	塑料件	星光光面
12	6KMV-190313-8500-11	左脚踏贴花X	120*73	1	JL810080	星光光面	30小弧度	塑料件	星光光面
13	6KMV-190314-8500-11	左脚踏贴花XI	28*26	1	JL810080	星光光面	30小弧度	塑料件	星光光面
14	6KMV-190315-8500-11	左脚踏贴花XII	93*46	1	JL810080	星光光面	30小弧度	塑料件	星光光面
15	6KMV-190316-8500-11	左脚踏贴花XIII	197*66	1	JL810080	星光光面	30小弧度	塑料件	星光光面
16	6KMV-190317-8500-11	左脚踏贴花XIV	158*43	1	JL810080	星光光面	30小弧度	塑料件	星光光面
17	6KMV-190318-8500-11	左脚踏贴花XV	199*121	1	JL810080	星光光面	30小弧度	塑料件	星光光面
18	6KMV-190319-8500-11	左脚踏贴花XVI	47*32	1	JL810080	星光光面	30小弧度	塑料件	星光光面
19	6KMV-190321-8500-11	左脚踏贴花XVII	160*52	1	JL810080	星光光面	30小弧度	塑料件	星光光面
20	6KMV-190322-8500-11	左脚踏贴花XVIII	238*182	1	JL810080	星光光面	30小弧度	塑料件	星光光面
21	6KMV-190323-8500-11	左脚踏贴花XIX	90*136	1	JL810080	星光光面	30小弧度	塑料件	星光光面

序号	图号	名称	尺寸	数量	材料	表面效果	粘接弧度	粘接表面基材	粘接表面处理
23	6KMV-190327-8500-11	前轮钢贴花	474*181	2	80#B+3M 9080	亮光光油	2D大弧度	铝合金	哑光磨砂
25	6KMV-190329-8500-11	后轮钢贴花	450*172	2	80#B+3M 9080	亮光光油	2D大弧度	铝合金	哑光磨砂



序号	图号	名称	尺寸	数量	材料	表面效果	粘接弧度	粘接表面基材	粘接表面处理
24	6KMV-190328-8500-11	轮钢贴花 I	330*22	2	80#B+3M 9080	哑光光油黑色部分亮光	2D大弧度	铝合金	哑光磨砂



序号	图号	名称	尺寸	数量	材料	表面效果	粘接弧度	粘接表面基材	粘接表面处理
26	6KMV-190331-8500-11	轮钢贴花 II	330*22	2	80#B+3M 9080	哑光光油黑色部分亮光	2D大弧度	铝合金	哑光磨砂



序号	图号	名称	尺寸	数量	材料	表面效果	粘接弧度	粘接表面基材	粘接表面处理
27	6KMV-190332-8500-10	ABS贴花	69*15	2	JLB100#BD	亮光光油	平面	塑料	亮光油漆



注：整膜线1mm宽，是贴花工人定位用的，严格按照1mm做

PANTONE COOL GRAY 7 C

整膜线



序号	图号	名称	尺寸	数量	材料	表面效果	粘接弧度	粘接表面基材	粘接表面处理
03	6KMV-190303-8500-11	左护板贴花 I	176*61	1	JLB100*BD	哑光光油	3D小弧度	塑料件	亮光油漆
04	6KMV-190304-8500-11	左护板贴花 II	86*47	1	JLB100*BD	哑光光油	3D小弧度	塑料件	亮光油漆
05	6KMV-190305-8500-11	左护板贴花 III	168*159	1	JLB100*BD	哑光光油	3D小弧度	塑料件	亮光油漆
06	6KMV-190306-8500-11	左护板贴花 IV	34*19	1	JLB100*BD	哑光光油	3D小弧度	塑料件	亮光油漆
07	6KMV-190307-8500-11	左护板贴花 V	235*124	1	JLB100*BD	哑光光油	3D小弧度	塑料件	亮光油漆
08	6KMV-190308-8500-11	左护板贴花 VI	53*63	1	JLB100*BD	哑光光油	3D小弧度	塑料件	亮光油漆
09	6KMV-190309-8500-11	左护板贴花 VII	58*53	1	JLB100*BD	哑光光油	3D小弧度	塑料件	亮光油漆
10	6KMV-190311-8500-11	左护板贴花 VIII	54*51	1	JLB100*BD	哑光光油	3D小弧度	塑料件	亮光油漆
11	6KMV-190312-8500-11	左护板贴花 IX	56*50	1	JLB100*BD	哑光光油	3D小弧度	塑料件	亮光油漆
12	6KMV-190313-8500-11	左护板贴花 X	120*73	1	JLB100*BD	哑光光油	3D小弧度	塑料件	亮光油漆
13	6KMV-190314-8500-11	左护板贴花 XI	28*26	1	JLB100*BD	哑光光油	3D小弧度	塑料件	亮光油漆
14	6KMV-190315-8500-11	左护板贴花 XII	93*46	1	JLB100*BD	哑光光油	3D小弧度	塑料件	亮光油漆
15	6KMV-190316-8500-11	右护板贴花 I	197*66	1	JLB100*BD	哑光光油	3D小弧度	塑料件	亮光油漆
16	6KMV-190317-8500-11	右护板贴花 II	158*43	1	JLB100*BD	哑光光油	3D小弧度	塑料件	亮光油漆
17	6KMV-190318-8500-11	右护板贴花 III	199*121	1	JLB100*BD	哑光光油	3D小弧度	塑料件	亮光油漆
18	6KMV-190319-8500-11	右护板贴花 IV	47*32	1	JLB100*BD	哑光光油	3D小弧度	塑料件	亮光油漆
19	6KMV-190321-8500-11	右护板贴花 V	160*52	1	JLB100*BD	哑光光油	3D小弧度	塑料件	亮光油漆
20	6KMV-190322-8500-11	右护板贴花 VI	238*182	1	JLB100*BD	哑光光油	3D小弧度	塑料件	亮光油漆
21	6KMV-190323-8500-11	右护板贴花 VII	90*136	1	JLB100*BD	哑光光油	3D小弧度	塑料件	亮光油漆

F19-2-B 贴花(星光白-ABS) DECAL(NEBULA WHITE-ABS)

Item No.	Parts Number	Parts Name(EN)	Qty	Remark(s)
01	6KMV-190301-8500-11	COMMERCIAL NAME DECAL	2	
02	6KMV-190302-8500-11	CFMOTO STICKER	2	
03	6KMV-190303-8500-11	DECAL 1, LH PANEL	1	
04	6KMV-190304-8500-11	DECAL 2, LH PANEL	1	
05	6KMV-190305-8500-11	DECAL 3, LH PANEL	1	
06	6KMV-190306-8500-11	DECAL 4, LH PANEL	1	
07	6KMV-190307-8500-11	DECAL 5, LH PANEL	1	
08	6KMV-190308-8500-11	DECAL 6, LH PANEL	1	
09	6KMV-190309-8500-11	DECAL 7, LH PANEL	1	
10	6KMV-190311-8500-11	DECAL 8, LH PANEL	1	
11	6KMV-190312-8500-11	DECAL 9, LH PANEL	1	
12	6KMV-190313-8500-11	DECAL 10, LH PANEL	1	
13	6KMV-190314-8500-11	DECAL 11, LH PANEL	1	
14	6KMV-190315-8500-11	DECAL 12, LH PANEL	1	
15	6KMV-190316-8500-11	DECAL 1, RH PANEL	1	
16	6KMV-190317-8500-11	DECAL 2, RH PANEL	1	
17	6KMV-190318-8500-11	DECAL 3, RH PANEL	1	
18	6KMV-190319-8500-11	DECAL 4, RH PANEL	1	
19	6KMV-190321-8500-11	DECAL 5, RH PANEL	1	
20	6KMV-190322-8500-11	DECAL 6, RH PANEL	1	
21	6KMV-190323-8500-11	DECAL 7, RH PANEL	1	
23	6KMV-190327-8500-11	DECAL, FRONT RIM	2	
24	6KMV-190328-8500-11	DECAL 1, RIM	2	
25	6KMV-190329-8500-11	DECAL, REAR RIM	2	
26	6KMV-190331-8500-11	DECAL 2, RIM	2	
27	6KMV-190332-8500-10	ABS DECAL	2	
28	6KMV-190333-8500-11	DECAL, LOWER PANEL	2	
29	6KMV-190334-8500-11	DECAL, REAR PANEL	1	
30	6KMV-190337-8500-10	SLOGAN DECAL	2	

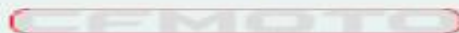
F19-2-D 贴花(火焰橙) DECAL(LAVA ORANGE)



序号	图号	名称	尺寸	数量	材料	表面效果	粘接弧度	粘接表面基材	粘接表面处理
01	6KXV-190101-8500-13	商品名贴花	109*19	2	3M 180ac透明	亮光光油	平面	塑料	亮光油漆



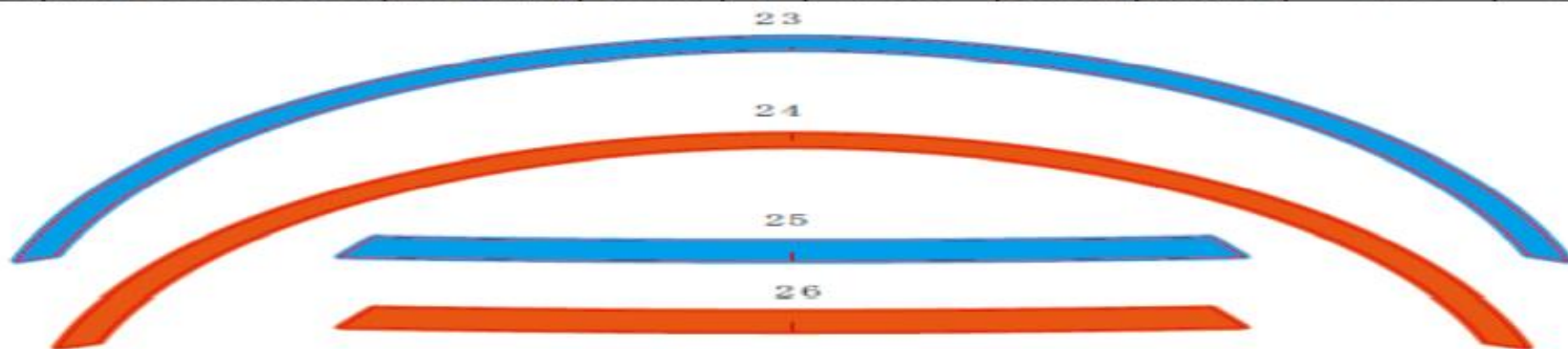
序号	图号	名称	尺寸	数量	材料	表面效果	粘接弧度	粘接表面基材	粘接表面处理
02	6KXV-190102-8500-12	CFMOTO贴花	130*20	2	3M 180ac透明	亮光光油	平面	塑料	亮光油漆



序号	图号	名称	尺寸	数量	材料	表面效果	粘接弧度	粘接表面基材	粘接表面处理
22	6KXV-190101-A000-11	型号贴花	81*8	2	3M 180ac透明	亮光光油	平面	塑料	亮光油漆



序号	图号	名称	尺寸	数量	材料	表面效果	粘接弧度	粘接表面基材	粘接表面处理
23	6KXV-190127-8500-13	前轮侧贴花 I	174*181	2	3M 3690	亮光光油	2D大弧面	铝合金	亮光磨砂
24	6KXV-190128-8500-13	后轮侧贴花 I	274*19	2	3M 3690	亮光光油	2D大弧面	铝合金	亮光磨砂
25	6KXV-190129-8500-13	前轮侧贴花 II	450*172	2	3M 3690	亮光光油	2D大弧面	铝合金	亮光磨砂
26	6KXV-190131-8500-13	后轮侧贴花 II	274*19	2	3M 3690	亮光光油	2D大弧面	铝合金	亮光磨砂

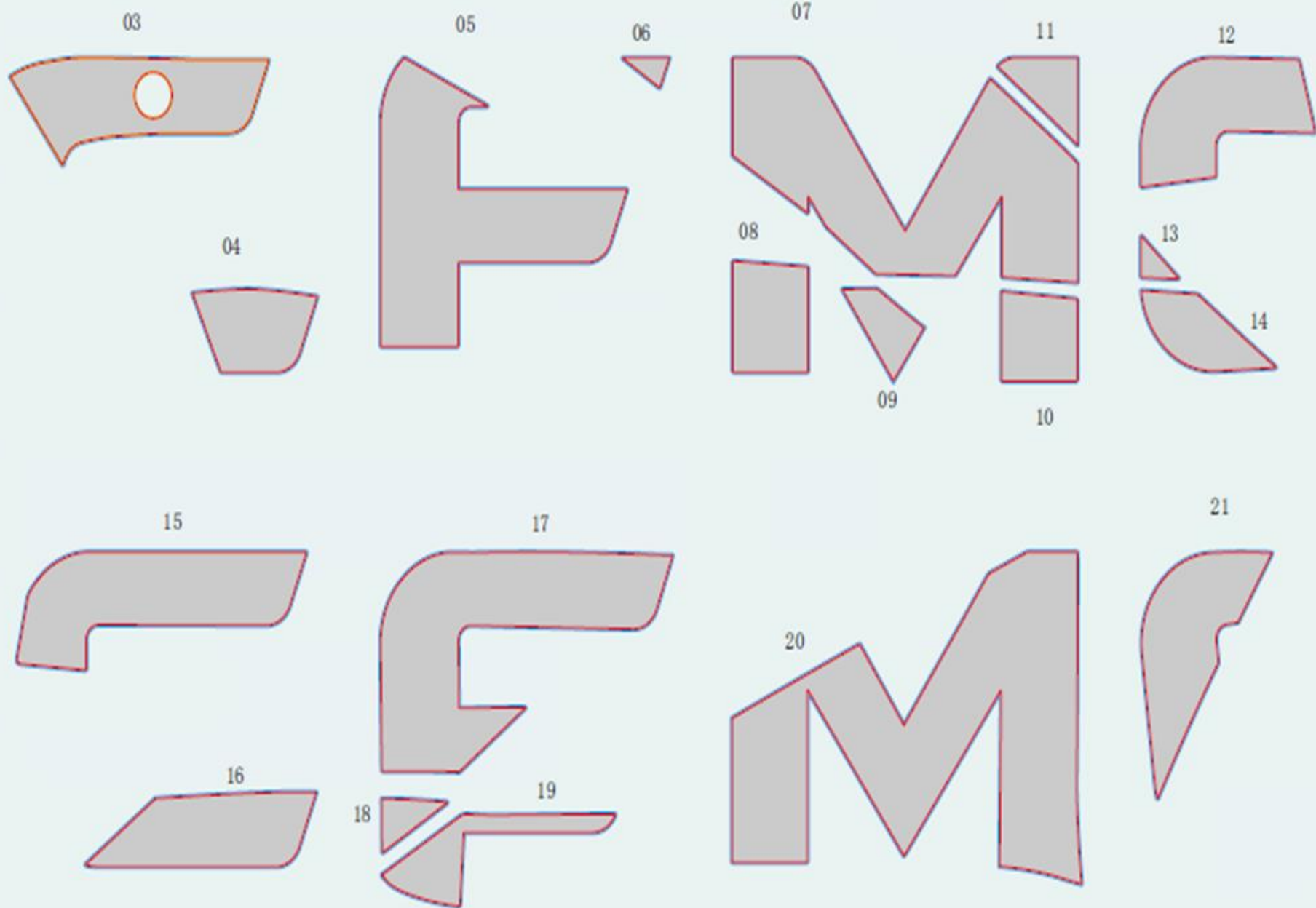


注：整模线离1mm宽，是贴花工人定位用的，严格按照1mm做

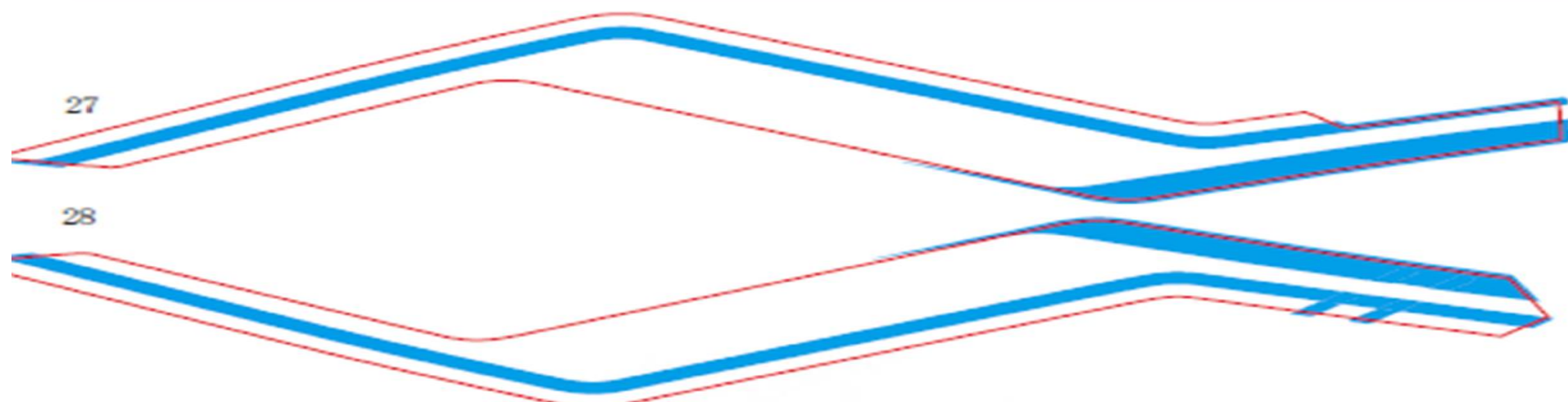
亚光电镀银
*不是量产的亚光钛金灰

刀模线(半模线)

底纸线(整模线)



序号	图号	名称	尺寸	数量	材料	表面效果	粘接弧度	粘接表面基材	粘接表面处理
27	63MY-190133-8500-13	左分段贴花 I	547*304	1	3M 3690	亮允允油	3D小弧度	塑料	亮允油漆
28	63MY-190134-8500-13	右分段贴花 I	552*304	1	3M 3690	亮允允油	3D小弧度	塑料	亮允油漆



序号	图号	名称	尺寸	数量	材料	表面效果	粘接弧度	粘接表面基材	粘接表面处理
29	63MY-190135-8500-13	左分段贴花 II	118*15	1	3M 3690	亮允允油	2D大弧度	塑料	亮允油漆



序号	图号	名称	尺寸	数量	材料	表面效果	粘接弧度	粘接表面基材	粘接表面处理
30	63MY-190136-8500-13	右分段贴花 II	122*15	1	3M 3690	亮允允油	2D大弧度	塑料	亮允油漆



序号	图号	名称	尺寸	数量	材料	表面效果	粘接弧度	粘接表面基材	粘接表面处理
31	63MY-190137-8500-13	DID贴花 I	239*43	1	3M 180nc透明	哑允允油	2D小弧度	塑料	水转印



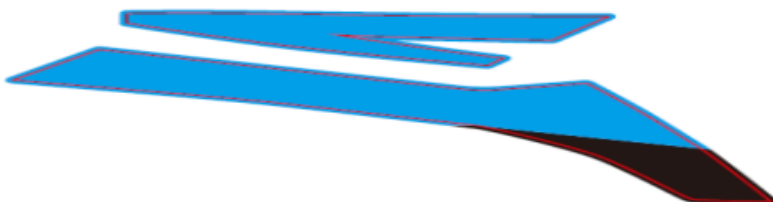
序号	图号	名称	尺寸	数量	材料	表面效果	粘接弧度	粘接表面基材	粘接表面处理
27	6KMV-190132-8100-10	ABS贴花	69*15	2	3M 180mc光白	亮光光油	平面	塑料	亮光油漆



序号	图号	名称	尺寸	数量	材料	表面效果	粘接弧度	粘接表面基材	粘接表面处理
36	6KMV-190142-8500-13	右前照灯护罩贴花	144*37	1	3M 180mc光白	亮光光油	2D大弧度	塑料	亮光油漆
37	6KMV-190143-8500-13	右前照灯贴花	224*100	1	3M 180mc光白	亮光光油	2D大弧度	塑料	亮光油漆

36

37



序号	图号	名称	尺寸	数量	材料	表面效果	粘接弧度	粘接表面基材	粘接表面处理
38	6KMV-190144-8500-13	中间分段贴花	153*15	1	3M 3690	亮光光油	2D大弧度	塑料	亮光油漆



序号	图号	名称	尺寸	数量	材料	表面效果	粘接弧度	粘接表面基材	粘接表面处理
39	6KMV-190145-8500-13	FCC贴花	77*77	2	3M 180mc透明	亮光光油	2D小弧度	塑料	亮光油漆



序号	图号	名称	尺寸	数量	材料	表面效果	粘接弧度	粘接表面基材	粘接表面处理
40	6KMV-190146-8500-13	KYB贴花	79*25	2	3M 180mc透明	亮光光油	2D小弧度	塑料	亮光油漆



序号	图号	名称	尺寸	数量	材料	表面效果	粘接弧度	粘接表面基材	粘接表面处理
41	6KMV-190147-8500-13	巴斯夫贴花	80*42	2	3M 180mc透明	亮光光油	2D小弧度	塑料	亮光油漆



序号	图号	名称	尺寸	数量	材料	表面效果	粘接弧度	粘接表面基材	粘接表面处理
42	6KMV-190148-8500-13	NGK贴花	80*43	2	3M 180mc透明	亮光光油	2D小弧度	塑料	亮光油漆



序号	图号	名称	尺寸	数量	材料	表面效果	粘接弧度	粘接表面基材	粘接表面处理
43	6KMV-190149-8500-13	360贴花	107*24	2	3M 180mc透明	亮光光油	2D小弧度	塑料	亮光油漆



序号	图号	名称	尺寸	数量	材料	表面效果	粘接弧度	粘接表面基材	粘接表面处理
44	6KM#-190151-8101-12	道达尔贴花	131*36	2	3M 180mc透明	亮光光油	2D小弧度	塑料	亮光油漆



序号	图号	名称	尺寸	数量	材料	表面效果	粘接弧度	粘接表面基材	粘接表面处理
45	6KMV-190152-8500-13	口号贴花 I	122*34	1	3M 180mc透明	亮光光油	2D小弧度	塑料	亮光油漆



序号	图号	名称	尺寸	数量	材料	表面效果	粘接弧度	粘接表面基材	粘接表面处理
46	6KMV-190153-8500-13	口号贴花 II	123*25	1	3M 180mc透明	亮光光油	2D小弧度	塑料	亮光油漆



序号	图号	名称	尺寸	数量	材料	表面效果	粘接弧度	粘接表面基材	粘接表面处理
47	6KMV-190154-8500-13	博世贴花	149*40	2	3M 180mc透明	亮光光油	2D小弧度	塑料	亮光油漆



序号	图号	名称	尺寸	数量	材料	表面效果	粘接弧度	粘接表面基材	粘接表面处理
48	6KMV-190155-8500-13	正新轮胎贴花	152*38	2	3M 180mc透明	哑光光油	2D小弧度	塑料	亮光油漆



序号	图号	名称	尺寸	数量	材料	表面效果	粘接弧度	粘接表面基材	粘接表面处理
49	6KMV-190156-8500-13	MORE FUN贴花	86*16	2	3M 180mc透明	亮光光油	2D小弧度	塑料	亮光油漆

MORE FUN

序号	图号	名称	尺寸	数量	材料	表面效果	粘接弧度	粘接表面基材	粘接表面处理
50	6KMV-190157-8500-13	LS2贴花	107*24	2	3M 180mc透明	亮光光油	2D小弧度	塑料	亮光油漆



序号	图号	名称	尺寸	数量	材料	表面效果	粘接弧度	粘接表面基材	粘接表面处理
51	6KMV-190159-8500-13	MOTO-TRON贴花	107*24	2	3M 180mc透明	亮光光油	2D小弧度	塑料	亮光油漆

MOTO-TRON
RACING

序号	图号	名称	尺寸	数量	材料	表面效果	粘接弧度	粘接表面基材	粘接表面处理
52	6KMV-190161-8500-13	马牌贴花	88*19	2	3M 180mc透明	亮光光油	2D小弧度	塑料	亮光油漆

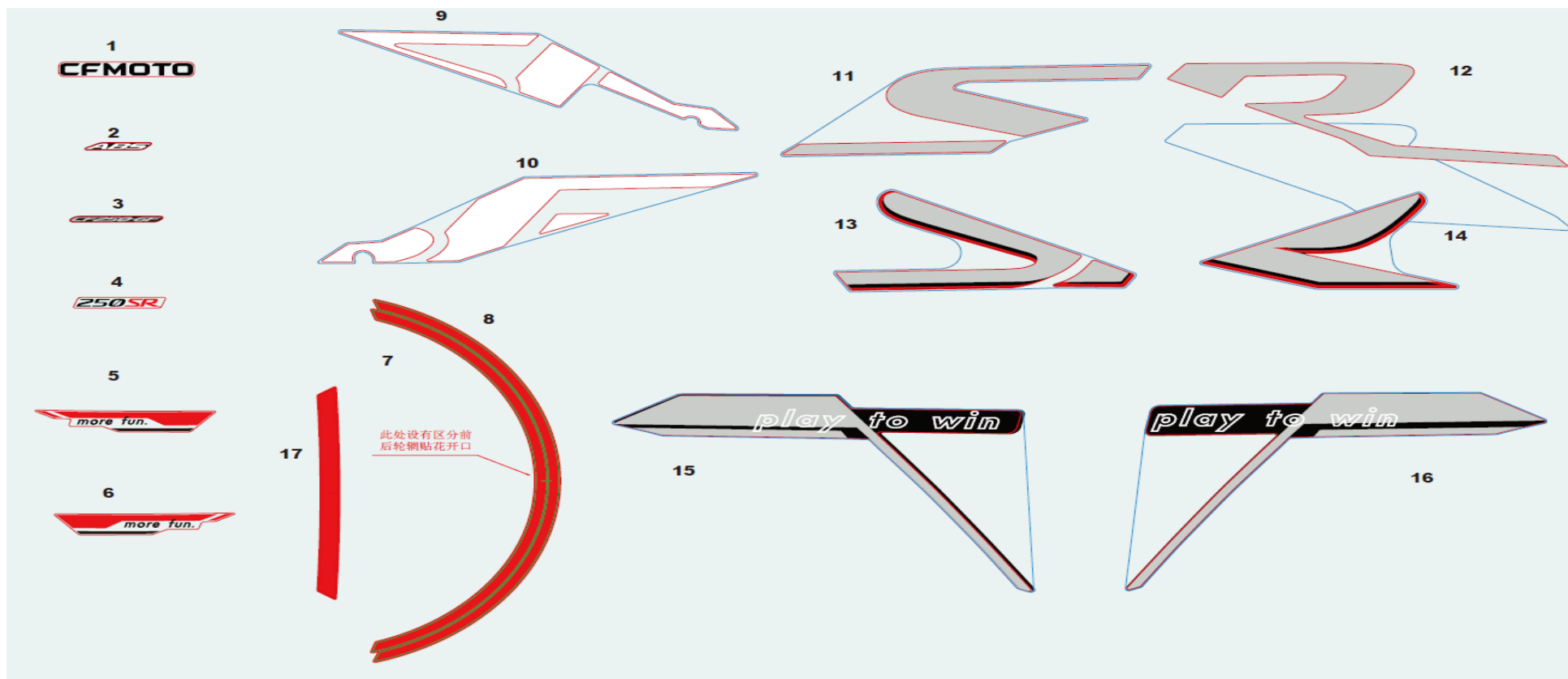
Continental

F19-2-D 贴花(火焰橙) DECAL(LAVA ORANGE)

Item No.	Parts Number	Parts Name(EN)	Qty	Remark(s)
01	6KMV-190101-8500-13	COMMERCIAL NAME DECAL	2	
02	6KMV-190102-8500-12	C F M O T O DECAL	2	
03	6KMV-190103-8500-13	DECAL 1, LH PANEL	1	
04	6KMV-190104-8500-13	DECAL 2, LH PANEL	1	
05	6KMV-190105-8500-13	DECAL 3, LH PANEL	1	
06	6KMV-190106-8500-13	DECAL 4, LH PANEL	1	
07	6KMV-190107-8500-13	DECAL 5, LH PANEL	1	
08	6KMV-190108-8500-13	DECAL 6, LH PANEL	1	
09	6KMV-190109-8500-13	DECAL 7, LH PANEL	1	
10	6KMV-190111-8500-13	DECAL 8, LH PANEL	1	
11	6KMV-190112-8500-13	DECAL 9, LH PANEL	1	
12	6KMV-190113-8500-13	DECAL 10, LH PANEL	1	
13	6KMV-190114-8500-13	DECAL 11, LH PANEL	1	
14	6KMV-190115-8500-13	DECAL 12, LH PANEL	1	
15	6KMV-190116-8500-13	DECAL 1, RH PANEL	1	
16	6KMV-190117-8500-13	DECAL 2, RH PANEL	1	
17	6KMV-190118-8500-13	DECAL 3, RH PANEL	1	
18	6KMV-190119-8500-13	DECAL 4, RH PANEL	1	
19	6KMV-190121-8500-13	DECAL 5, RH PANEL	1	
20	6KMV-190122-8500-13	DECAL 6, RH PANEL	1	
21	6KMV-190123-8500-13	DECAL 7, RH PANEL	1	
22	6KMV-190101-A000-11	MODEL DECAL	2	
23	6KMV-190127-8500-13	DECAL 1, FRONT RIM	2	
24	6KMV-190128-8500-13	DECAL 1, REAR RIM	2	
25	6KMV-190129-8500-13	DECAL 2, FRONT RIM	2	
26	6KMV-190131-8500-13	DECAL 2, REAR RIM	2	
27	6KM#-190132-8100-10	ABS DECAL	2	
28	6KMV-190133-8500-13	LH DECAL 1	1	

29	6KMV-190134-8500-13	RH DECAL 1	1	
30	6KMV-190135-8500-13	LH DECAL 2	1	
31	6KMV-190136-8500-13	RH DECAL 2	1	
32	6KMV-190137-8500-13	DID DECAL 1	1	
33	6KMV-190138-8500-13	DID DECAL 2	1	
34	6KMV-190139-8500-13	LH HEADLIGHT GUARD DECAL	1	
35	6KMV-190141-8500-13	LH HEADLIGHT DECAL	1	
36	6KMV-190142-8500-13	RH HEADLIGHT GUARD DECAL	1	
37	6KMV-190143-8500-13	RH HEADLIGHT DECAL	1	
38	6KMV-190144-8500-13	MIDDLE DECAL	1	
39	6KMV-190145-8500-13	FCC DECAL	2	
40	6KMV-190146-8500-13	KYB DECAL	2	
41	6KMV-190147-8500-13	BASF DECAL	2	
42	6KMV-190148-8500-13	NGK DECAL	2	
43	6KMV-190149-8500-13	360 DECAL	2	
44	6KM#-190151-8101-12	TOTAL DECAL	2	
45	6KMV-190152-8500-13	SLOGAN DECAL 1	1	
46	6KMV-190153-8500-13	SLOGAN DECAL 2	1	
47	6KMV-190154-8500-13	BOSCH DECAL	2	
48	6KMV-190155-8500-13	MAXXIS DECAL	2	
49	6KMV-190156-8500-13	MORE FUN DECAL	2	
50	6KMV-190157-8500-13	LS2 DECAL	2	
51	6KMV-190159-8500-13	MOTO-TRON DECAL	2	
52	6KMV-190161-8500-13	CONTINENTAL DECAL	2	

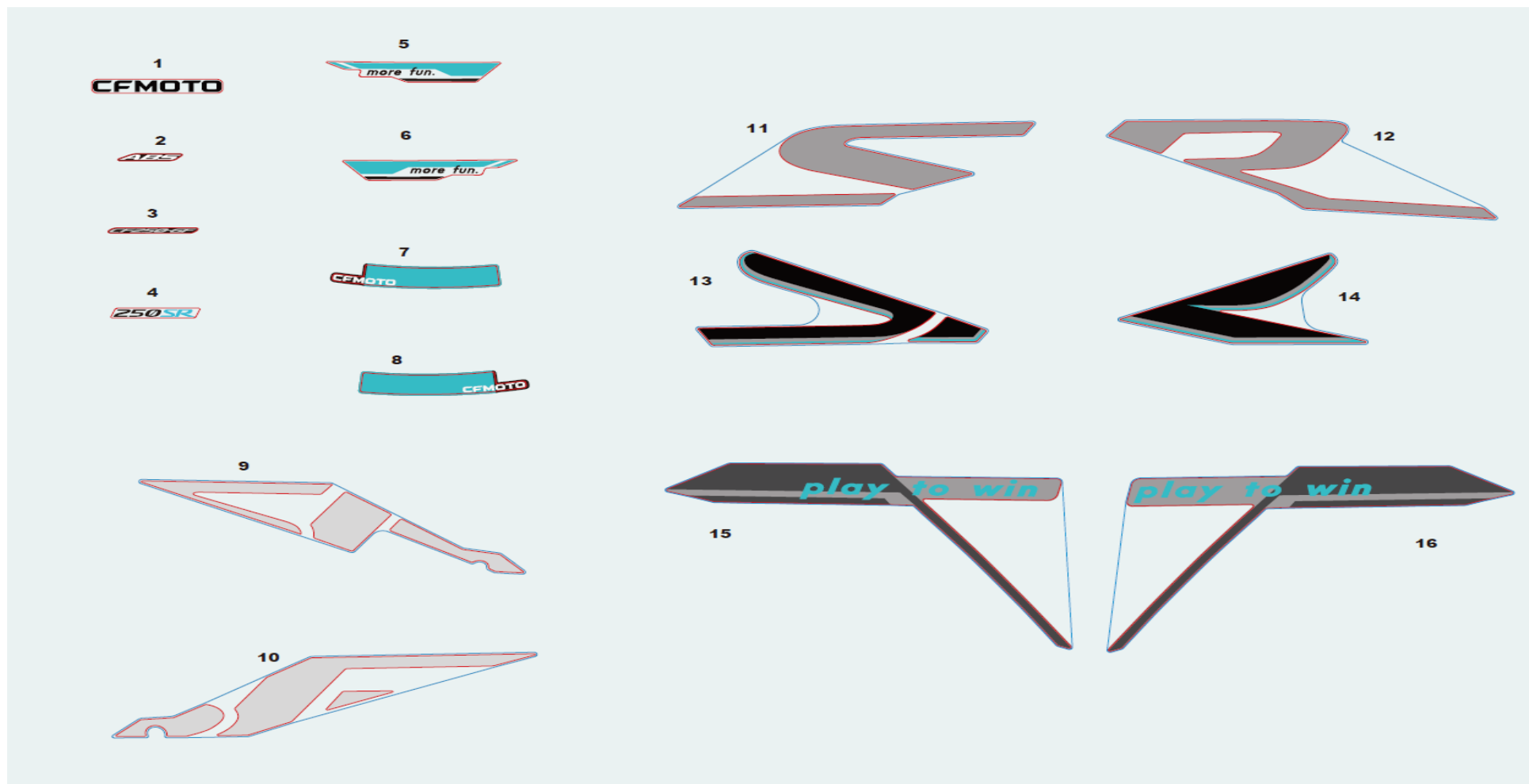
F19-2-A-V3 贴花(星光黑-ABS) DECAL(NEBULA BLACK- ABS)



F19-2-A-V3 贴花(星光黑-ABS) DECAL(NEBULA BLACK- ABS)

Item No.	Parts Number	Parts Name(EN)	Qty	Remark(s)
1	6KMV-190101-8900-10	CFMOTO STICKER	2	
2	6KMV-190332-8500-10	ABS DECAL	2	
3	6KMV-190102-A100-10	MODEL DECAL	2	
4	6KMV-190103-8900-11	COMMERCIAL NAME DECAL	2	
5	6KMV-190104-8900-11	DECAL, RH TAIL GUARD	1	
6	6KMV-190105-8900-11	DECAL, LH TAIL GUARD	1	
7	6KMV-190106-8900-11	DECAL, REAR RIM	2	
8	6KMV-190107-8900-11	DECAL, FRONT RIM	2	
9	6KMV-190108-8901-11	DECAL, FRONT LH PANEL UPPER DECO PLATE	1	
10	6KMV-190109-8901-11	DECAL, FRONT RH PANEL UPPER DECO PLATE	1	
11	6KMV-190110-8901-11	DECAL, FUEL TANK RH FRONT PANEL	1	
12	6KMV-190111-8901-11	DECAL, FUEL TANK LH FRONT PANEL	1	
13	6KMV-190112-8901-11	DECAL, LH FRONT PANEL I	1	
14	6KMV-190113-8901-11	DECAL, RH FRONT PANEL I	1	
15	6KMV-190114-8901-11	DECAL, RH FRONT PANEL II	1	
16	6KMV-190115-8901-11	DECAL, LH FRONT PANEL II	1	
17	6KMV-190116-8900-11	DECAL, RIM	4	

F19-2-I-V2 贴花(光速灰) DECAL(GHOST GREY)



F19-2-I-V2 贴花(光速灰) DECAL(GHOST GREY)

Item No.	Parts Number	Parts Name(EN)	Qty	Remark(s)
1	6KMV-190101-8900-10	CFMOTO STICKER	2	
2	6KMV-190332-8500-10	ABS DECAL	2	
3	6KMV-190102-A100-10	MODEL DECAL	2	
4	6KMV-190103-8900-10	COMMERCIAL NAME DECAL	2	
5	6KMV-190104-8900-10	DECAL, RH TAIL GUARD	1	
6	6KMV-190105-8900-10	DECAL, LH TAIL GUARD	1	
7	6KMV-190106-8900-10	DECAL, RH RIM	2	
8	6KMV-190107-8900-10	DECAL, LH RIM	2	
9	6KMV-190108-8901-10	DECAL, FRONT LH PANEL UPPER DECO PLATE	1	
10	6KMV-190109-8901-10	DECAL, FRONT RH PANEL UPPER DECO PLATE	1	
11	6KMV-190110-8901-10	DECAL, FUEL TANK RH FRONT PANEL	1	
12	6KMV-190111-8901-10	DECAL, FUEL TANK LH FRONT PANEL	1	
13	6KMV-190112-8901-10	DECAL, LH FRONT PANEL I	1	
14	6KMV-190113-8901-10	DECAL, RH FRONT PANEL I	1	
15	6KMV-190114-8901-10	DECAL, RH FRONT PANEL II	1	
16	6KMV-190115-8901-10	DECAL, LH FRONT PANEL II	1	



迈阿密蓝



奥斯丁粉



Pantone 648 C



白色



电镀银

刀模线 (半模线)



定位线 (整模线)



备注: 图中红色斜线为设计警告线, 允许使用其他颜色, 但必须保证颜色与警告线保持一致。

01



此贴纸适用于所有CFMOTO车型, 请勿用于其他品牌车辆, 以免产生不必要的纠纷。

02



03



亮光光油 100#BD耐磨或3M 3690

04



亮光光油 80#B+3M9080或3M 3690

05



06

此贴纸需分开, 粘后需打磨

07



08

D.I.Y

09

D.I.Y

10

亮光光油 100#BD耐磨或3M 3690

- 29
- 30
- 31
- 32
- 33
- 34
- 35



28

22



23



15

RACING 16

- 11
- 12
- 13

SR 14



18



19



20



21

CFMOTO 17

26



25

24



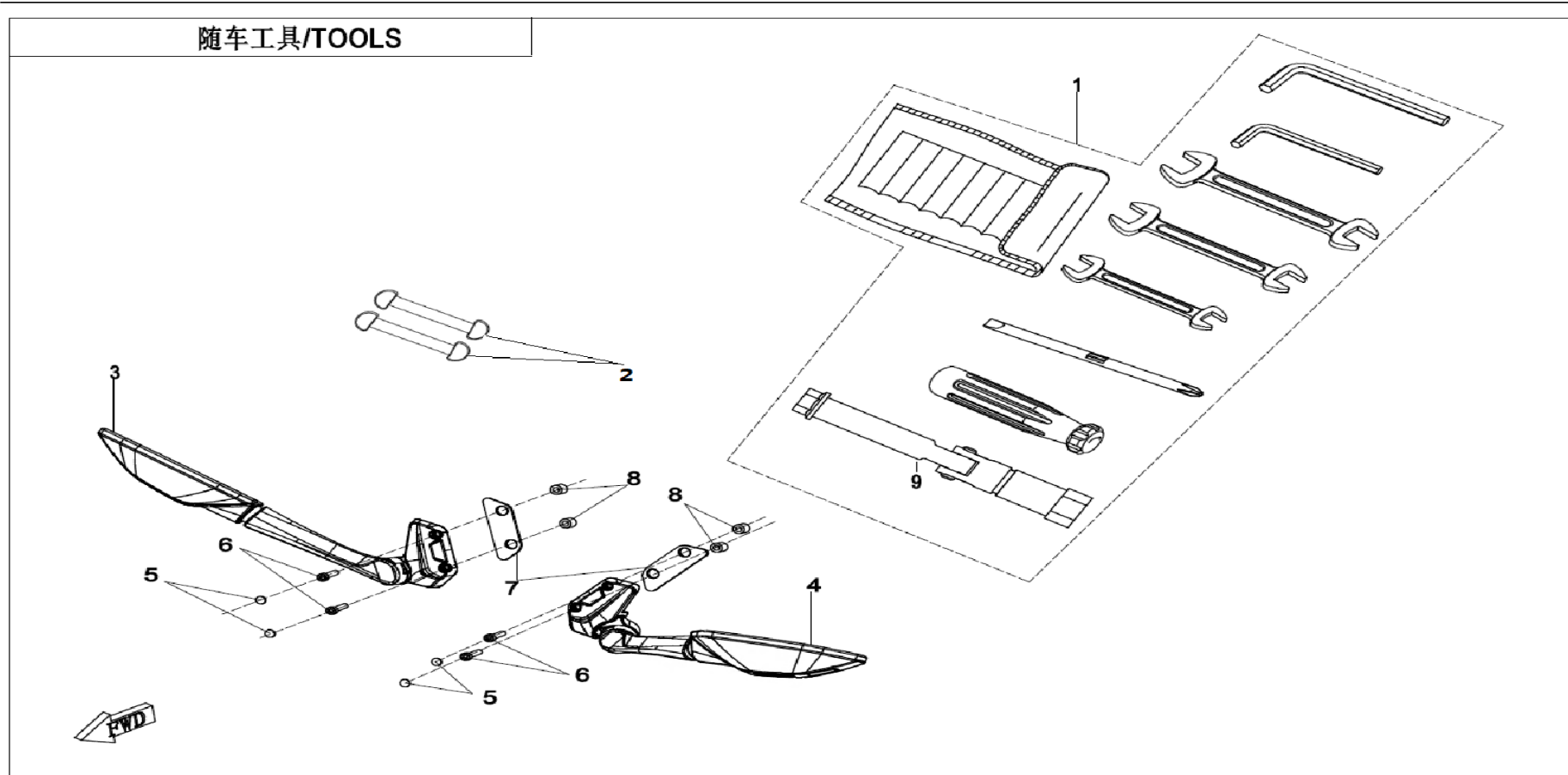
亮光光油 3M 2008透明

F19-2-J 贴花(迈阿密蓝) DECAL(MIAMI BLUE)

Item No.	Parts Number	Parts Name(EN)	Qty	Remark(s)
1	6KMV-190101-2001-14	DECAL, FUEL TANK PANEL	2	PANDA
2	6KMV-190102-2000-14	DECAL, HUMP PANEL	2	
3	6KMV-190103-2001-14	DECAL, FRONT FENDER	1	
4	6KMV-190104-2000-14	DECAL,REAR RIM	1	
5	6KMV-190105-2000-14	DECAL, FRONT LH PANEL I	1	
6	6KMV-190106-2000-14	DECAL, FRONT LH PANEL II	1	
7	6KMV-190107-2000-14	DECAL, FRONT RH PANEL I	1	
8	6KMV-190108-2000-14	DECAL, FRONT RH PANEL II	1	
9	6KMV-190109-2000-14	DECAL DID I	1	
10	6KMV-190110-2000-14	DECAL DID II	1	
11	6KMV-190111-2000-14	DECAL INSTA360	2	
12	6KMV-190112-2000-14	DECAL MOTO-TRON	2	
13	6KMV-190113-2000-14	DECAL LS2	2	
14	6KMV-190114-2000-14	DECAL MODEL	2	
15	6KMV-190115-2000-14	DECAL SLOGAN	2	EXPERIENCE MORE TOGETHER
16	6KMV-190116-2000-14	DECAL RACING	2	
17	6KMV-190117-2000-14	DECAL CFMOTO	4	
18	6KMV-190118-2000-14	DECAL FCC	2	
19	6KMV-190119-2000-14	DECAL CST	2	
20	6KMV-190120-2000-14	DECAL TOTAL	2	
21	6KMV-190121-2000-14	DECAL	2	
22	6KMV-190122-2000-14	DECAL, FRONT LH PANEL III	1	
23	6KMV-190123-2000-14	DECAL, FRONT LH PANEL IV	1	
24	6KMV-190124-2000-14	DECAL, FRONT RH PANEL III	1	
25	6KMV-190125-2000-14	DECAL, FRONT RH PANEL IV	1	
26	6KMV-190126-2000-14	DECAL, FRONT RH PANEL V	1	
27	6KMV-190127-2000-14	DECAL, TAIL GUARD	2	
28	6KMV-190128-2000-14	DECAL MORE FUN	2	

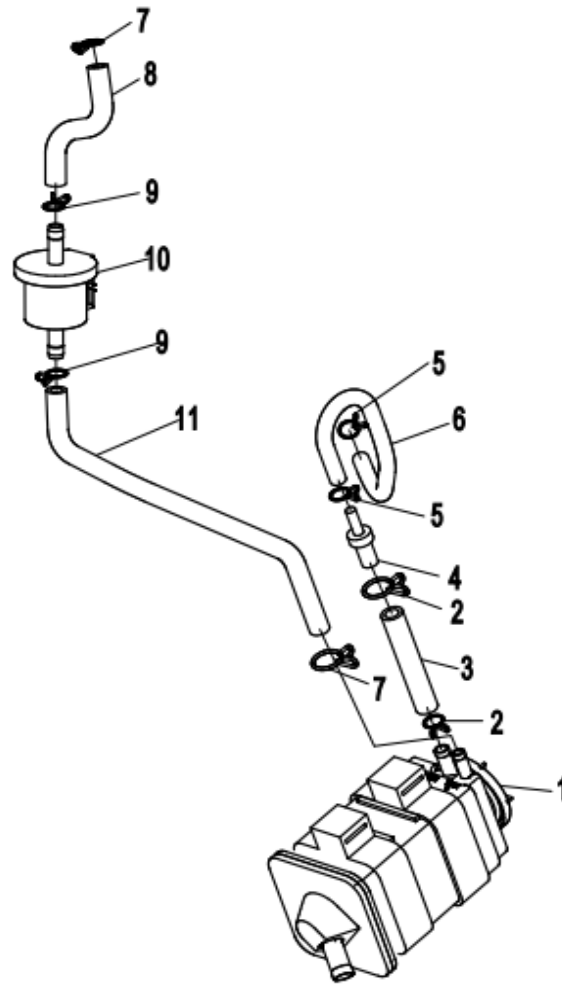
29	6KMV-190129-2000-14	DECAL KYB	2	
30	6KMV-190130-2000-14	DECAL NGK	2	
31	6KMV-190131-2000-14	DECAL BASF	2	
32	6KMV-190132-2000-14	DECAL BOSCH	2	
33	6KMV-190133-2000-14	DECAL CONTINENTAL	2	
34	6KMV-190326-8500-11	MODEL DECAL	2	
35	6KMV-190134-2000-14	ABS DECAL	2	

F20-V2 随车工具 TOOLS

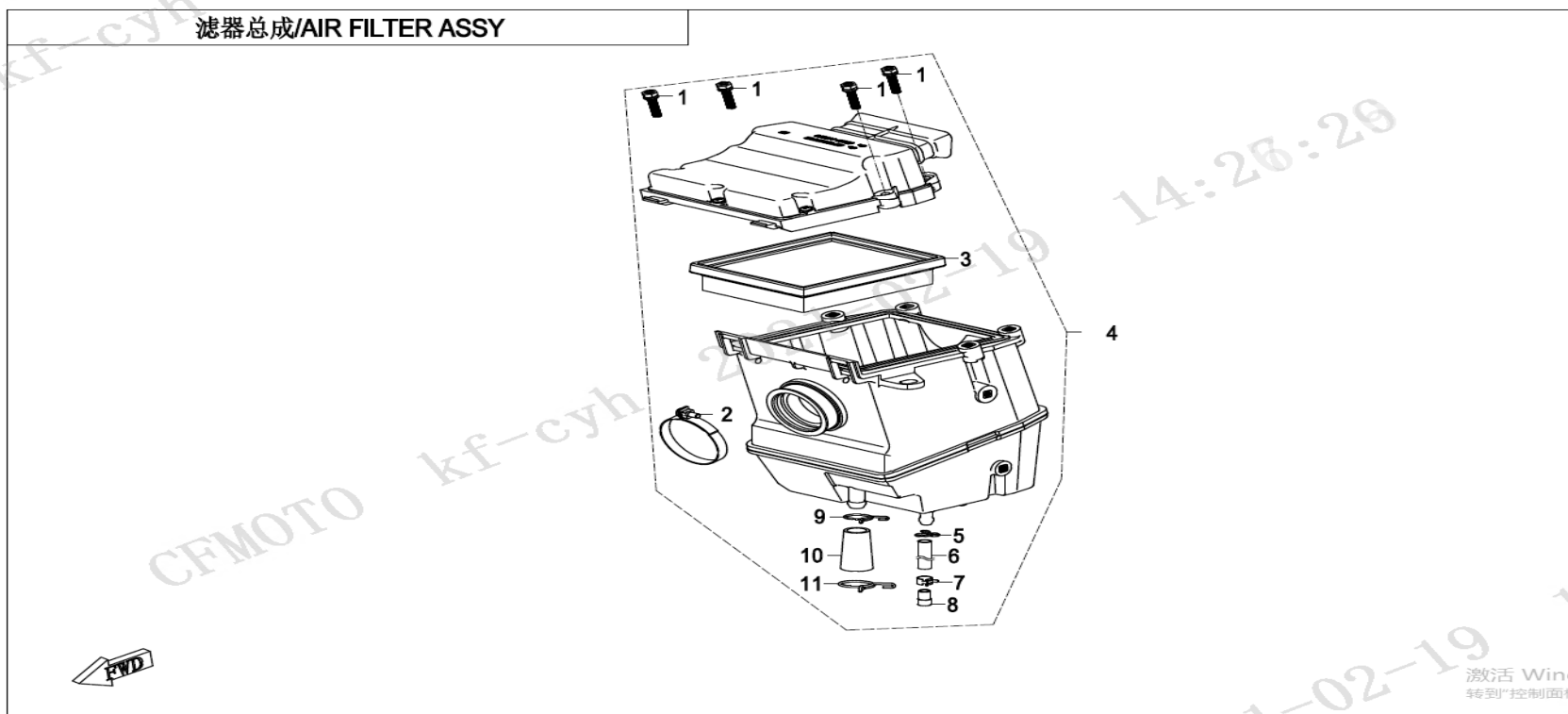


Item No.	Parts Number	Parts Name(EN)	Qty	Remark(s)
02	8010-000012	TIE BAND ASSY	1	
03	6KM#-200400-8001	RH REAR VIEW MIRROR ASSY	1	
04	6KM#-200300-8001	LH REAR VIEW MIRROR ASSY	1	
05	6KM#-200003-8001	PLUG	4	
06	30102-060025870	SCREW M6x25	4	
07	6KM#-200001-8001	RUBBER MAT	2	
08	6KM#-200002-8001	SPACER	4	
09	A000-200310	WRENCH, SPARK PLUG	1	

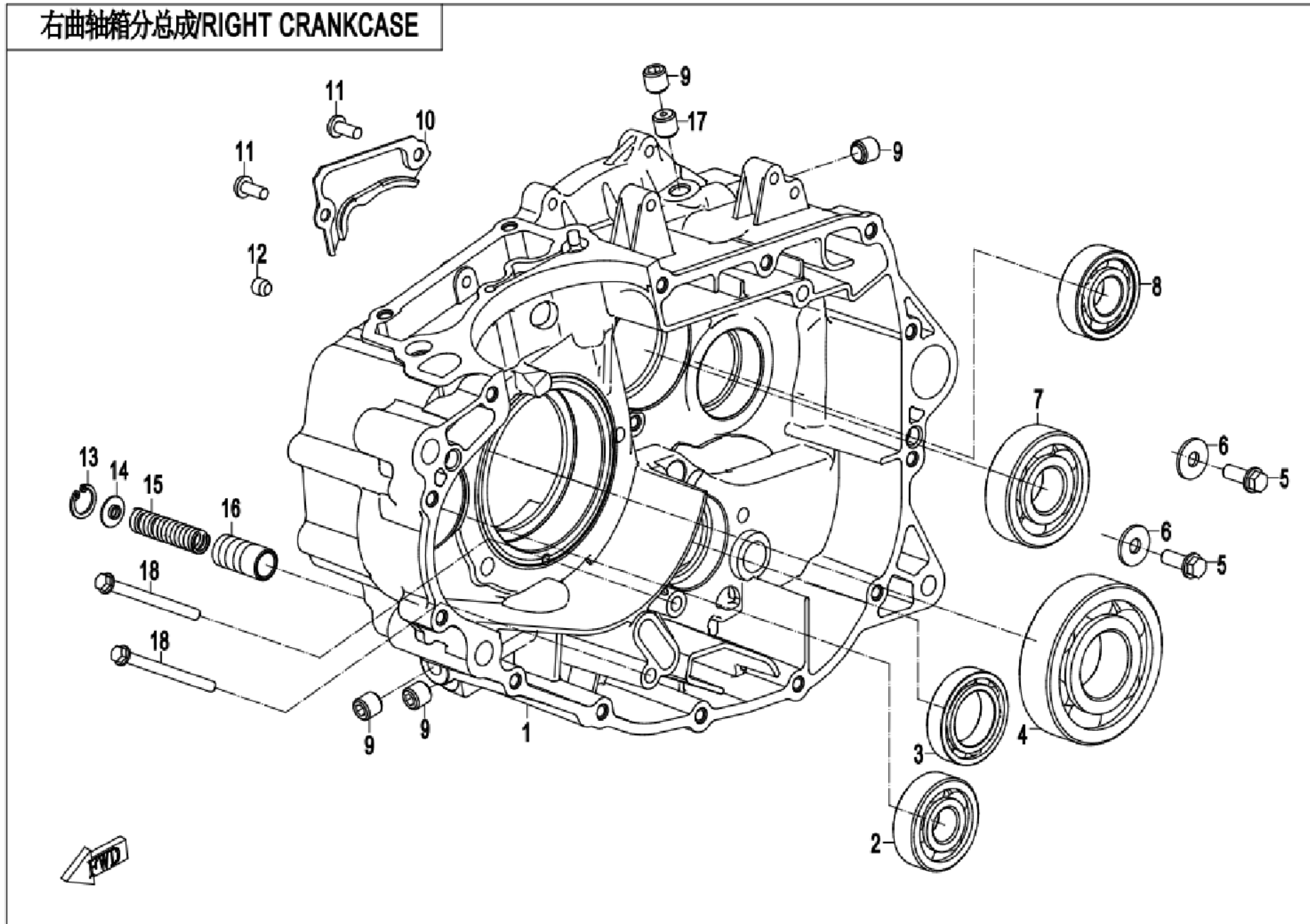
燃油蒸发系统 FUEL VAPORIZAZION SYSTEM



Item No.	Parts Number	Parts Name(EN)	Qty	Remark(s)
01	6NT1-360200	CANISTER	1	
02	30601-112010	CLAMP A12	2	
03	6NQ0-360005	FUEL VAPOR HOSE 5	1	
04	8010-180018	JOINT, HEAT TRANSMIT PIPE	1	
05	30601-108010	CLAMP A8	1	
06	6KM0-360003	FUEL VAPERIZATION PIPE 3	1	
07	30601-109010	CLAMP A9	1	
08	6KM0-360001	FUEL VAPERIZATION PIPE I	1	
09	30601-110010	CLAMP A10	5	
10	9GQ0-360100	TWO-WAY VALVE	1	
11	6KM0-360002	FUEL VAPERIZATION PIPE 2	1	



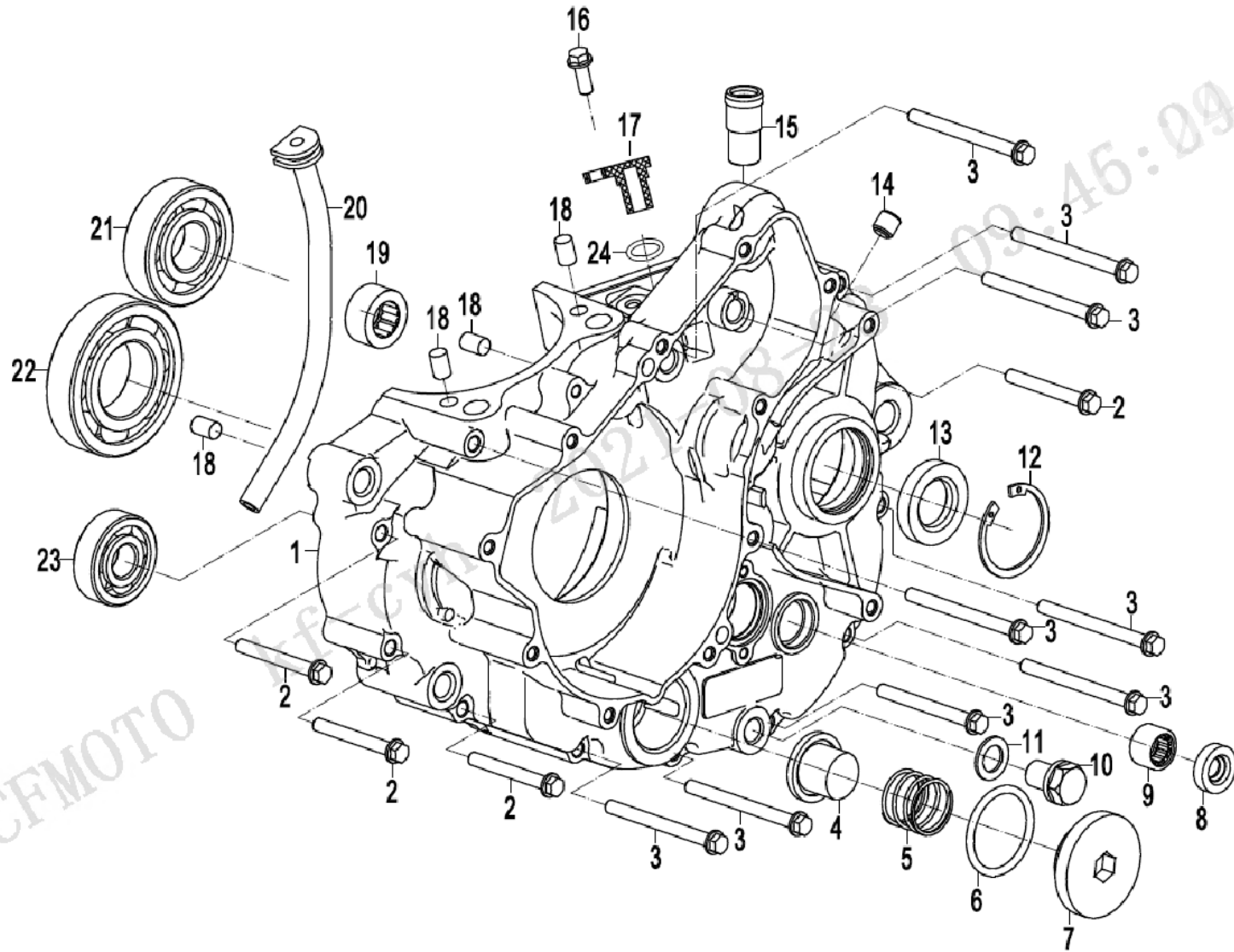
Item No.	Parts Number	Parts Name(EN)	Qty	Remark(s)
01	30114-060025470	SCREW ASSY M6x25	4	
02	0DM0-110200	CLAMP ASSY	1	
03	0DM0-110100	AIR FILTER ELEMENT	1	
04	0DN0-110000-00001	AIR FILTER ASSY	1	
05	30601-110010	CLAMP A10	1	
06	0DM0-110010-10000	OIL STORAGE HOSE	1	
07	30601-210530	CLAMP B10.5	1	
08	0DM0-110012	PLUG, OIL STORAGE HOSE	1	
09	30601-116010	CLAMP A16	1	
10	0DM0-110009	BREATHER HOSE	1	
11	30601-118010	CLAMP A20	1	



Item No.	Parts Number	Parts Name(EN)	Qty	Remark(s)
01	ODM0-012010-0B203	RH CRANKCASE ASSY	1	
02	30499-01507	BEARING	1	
03	30499-02506	BEARING	1	
04	30499-03001	BEARING	1	
05	0010-090005-0010	BOLT M6x16	2	
06	30305-060112	WASHER 6	2	
07	30499-02005	BEARING	1	
08	30499-01701	BEARING	1	
09	01A0-012010-00001	SCREW	4	
10	ODM0-012001	VENTILATED COVER PLATE	1	
11	30105-050012890	SCREW M5x12	2	
12	0A70-013004	PLUG	1	
13	30800-01405	CIRCLIP FOR HOLE 14	1	
14	0800-073004	SPRING SEAT, RELIEF VALVE	1	
15	01A0-012007	SPRING, RELIEF VALVE	1	
16	ODM0-012003	CORE, RELIEF VALVE	1	
17	ODM0-012002	RESTRICTION PLUG	1	
18	0020-011018-00001	BOLT M6x70	2	
18	0020-011018-00001	BOLT	1	

E01-2 左曲轴箱分总成 LEFT CRANKCASE

左曲轴箱分总成/LEFT CRANKCASE ASSY

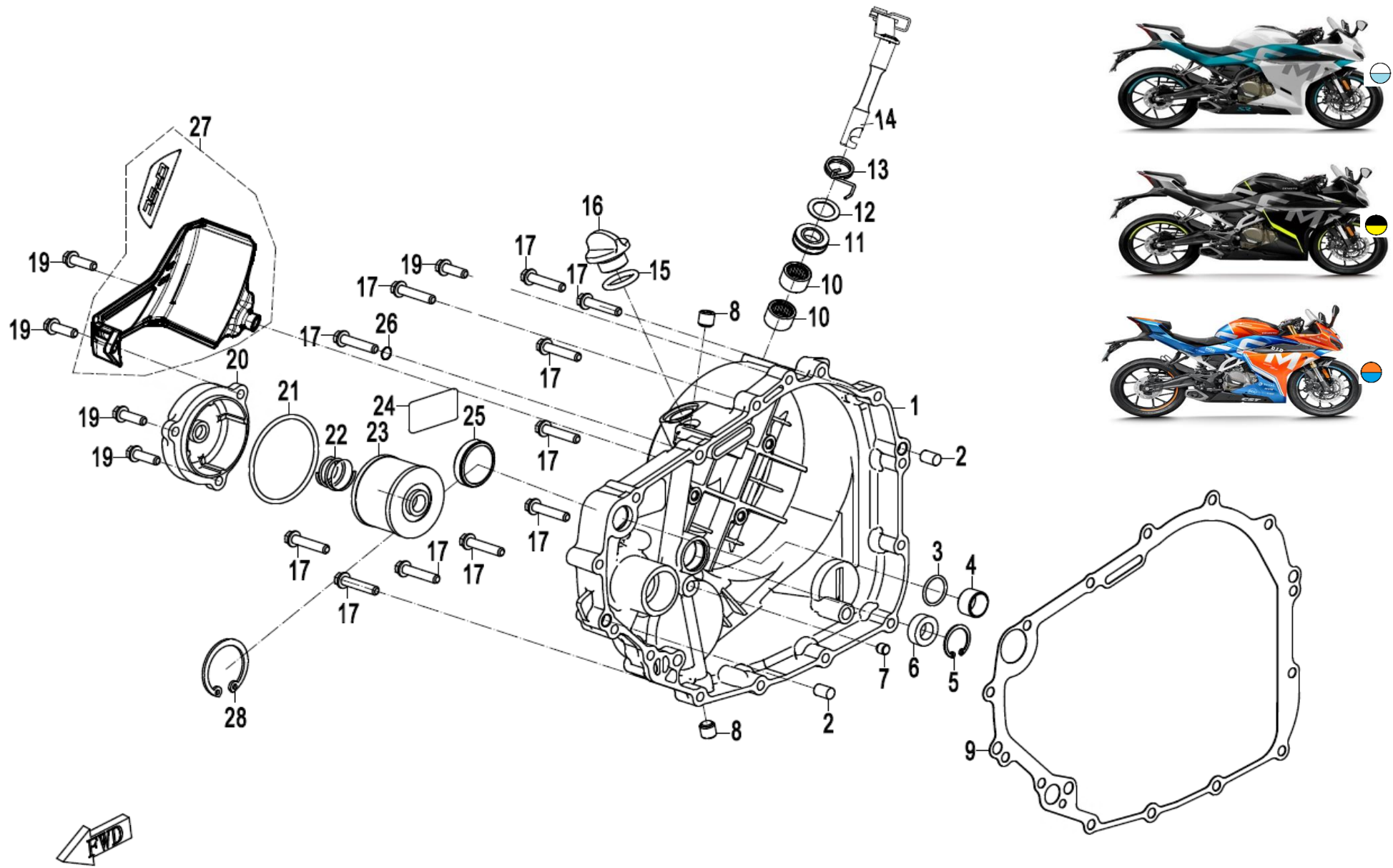


2023-08-23

Item No.	Parts Number	Parts Name(EN)	Qty	Remark(s)
01	ODM0-011010-0BP03	LH CRANKCASE	1	
02	0010-013010-0010	BOLT M6x50	4	
03	0020-011018-00001	BOLT M6x70	9	
03	0020-011018-00001	BOLT	9	
04	ODM0-011030	OIL STRAINER	1	
05	01A0-012009	SCREEN SPRING	1	
06	01A0-012003	O-SEAL RING 35x3.5	1	
07	01A0-012002-0HB00	STRAINER COVER	1	
08	0700-065220	OIL SEAL 13x22x5.5	1	
09	30403-01300	NEEDLE BEARING HK1312	1	
10	0180-011500	DRAIN BOLT, MAGNETIC M12X1.5	1	
11	0010-021014	WASHER 12	1	
12	30800-04005	CIRCLIP FOR HOLE	1	
13	ODM0-011007	OIL SEAL 22x38x7	1	
14	01A0-012010-00001	SCREW	1	
15	0700-011103	PIPE BREATHER	1	
16	0010-090005-0010	BOLT M6x16	1	
17	ODM0-011060	PLUG, SPEED SENSOR	1	
18	30410-00800	ROLLER	4	
19	ODM0-011050	BEARING 17x27x13	1	
20	ODM0-011005	OIL RETURN PIPE,ENGINE	1	
21	30499-02201	BEARING	1	
22	30499-03501	BEARING	1	
23	30499-01507	BEARING	1	
24	ODM0-011006	O-SEAL RING 13x2	1	



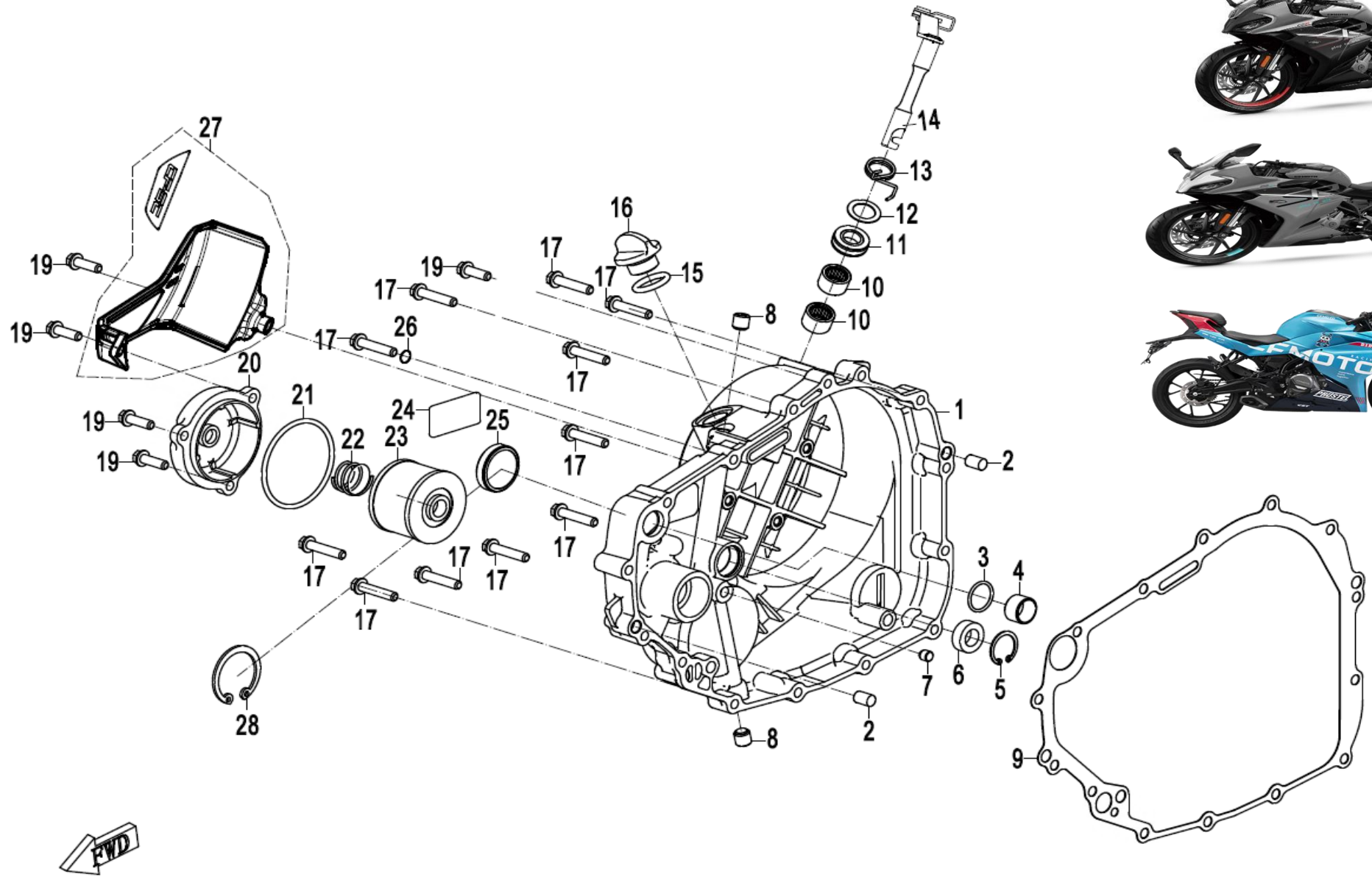
右侧盖分总成/RIGHT SIDE COVER ASSY




Item No.	Parts Number	Parts Name(EN)	Qty	Remark(s)
01	0DMB-013005-1HA00	RH SIDE COVER	1	
02	30410-00800	ROLLER	2	
03	30502-018000F	O-RING	1	
04	0DM0-013002	WATER PIPE	1	
05	30800-02205	CIRCLIP FOR HOLE	1	
06	0DM0-013007	OIL SEAL,CRANKCASE	1	
07	0A70-013004	PLUG	1	
08	01A0-012010-00001	SCREW	2	
09	0DM0-013001-00001	GASKET, RH SIDE COVER	1	
10	30403-01200	BEARING	2	
11	0010-080009	OIL SEAL	1	
12	0700-013007	WASHER	1	
13	0700-013006-10000	RETURN SPRING, CLUTCH LEVER	1	
14	0DMB-013300-00003	CLUTCH CONTROL SHAFT ASSY	1	
15	0110-013030	O-RING	1	
16	0700-013008	PLUG, OIL FILLING	1	
17	0010-060012-0010	BOLT M6x30	11	
19	0010-023010-0010	BOLT M6x20	5	
20	0DM0-013003-0HB01	STRAINER COVER	1	
21	30502-057000F	O-RING 57x3	1	
22	0DM0-013009	SPRING, FILTER ELEMENT	1	
23	0DM0-013200	OIL FILTER ASSY, ENGINE	1	
25	0700-013100-00001	VIEWER, OIL LEVEL	1	
26	0700-012201	O-RING	1	
27	0DMB-019000	DECO COVER	1	
28	0HU0-013009	RETAINER	1	

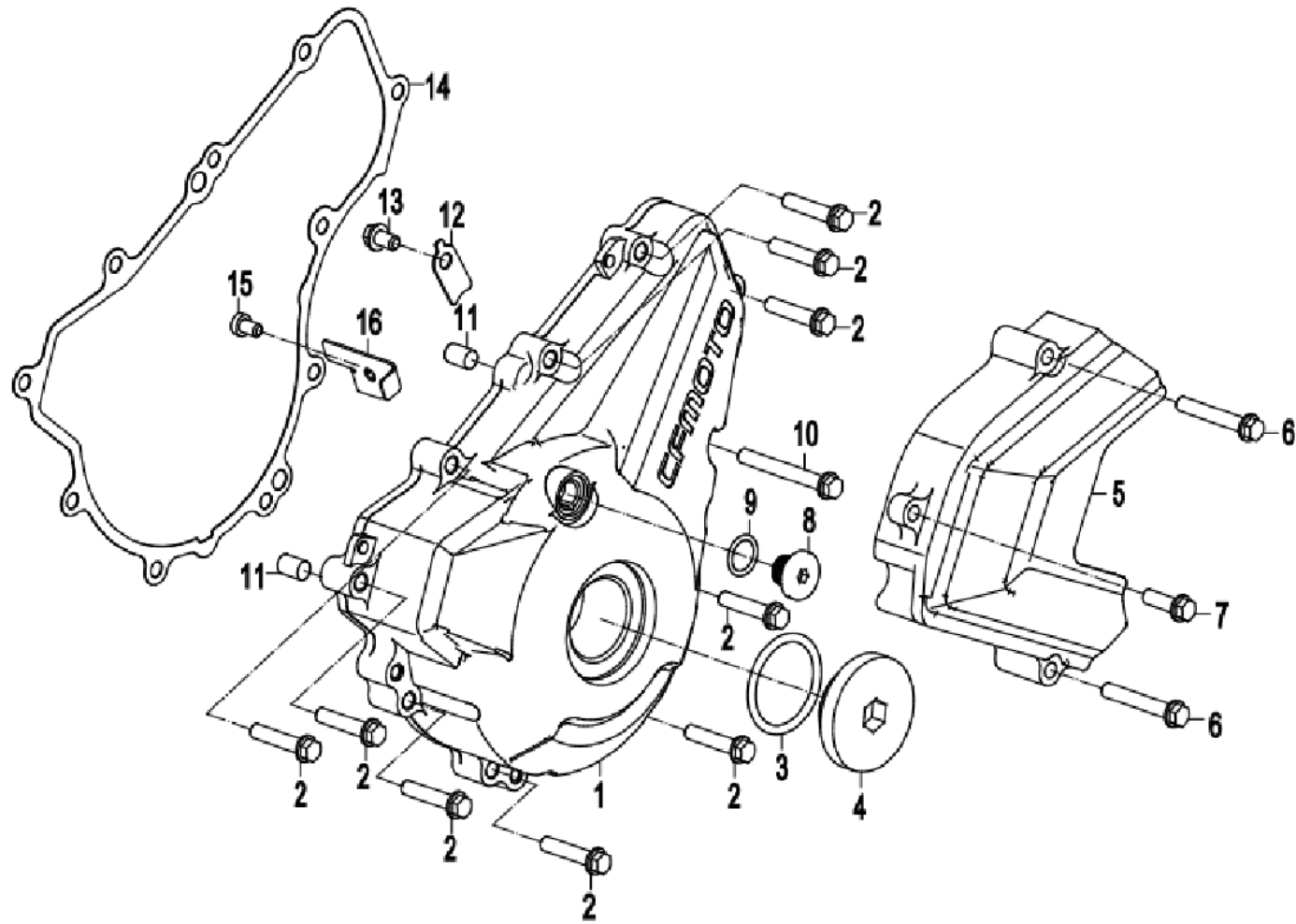


右侧盖分总成/RIGHT SIDE COVER ASSY



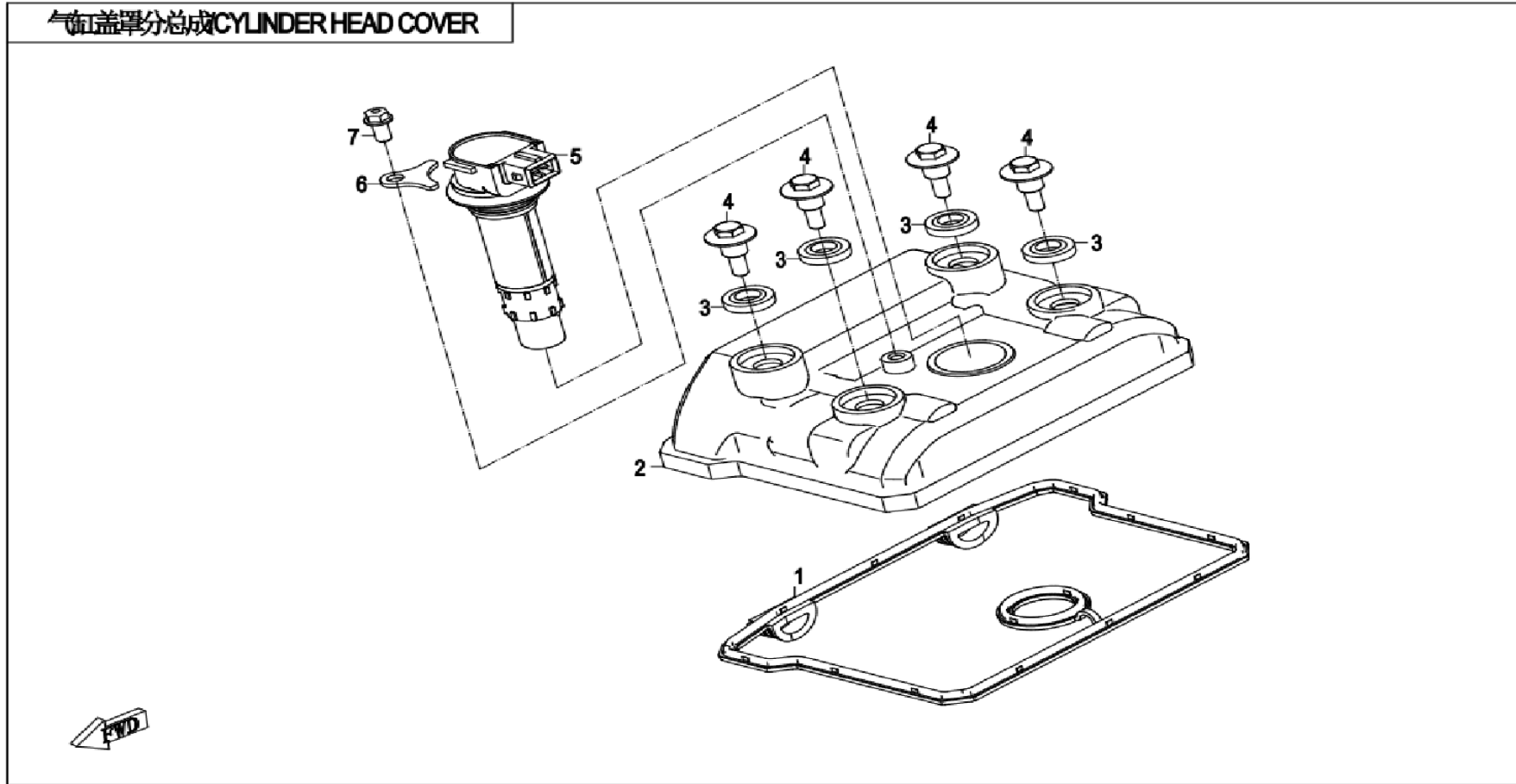
Item No.	Parts Number	Parts Name(EN)	Qty	Remark(s)
01	0DMV-013010-1601-0HB00	RH SIDE COVER ASSY	1	
02	30410-00800	ROLLER	2	
03	30502-018000F	O-RING	1	
04	0DM0-013002	WATER PIPE	1	
05	30800-02205	CIRCLIP FOR HOLE	1	
06	0DM0-013007	OIL SEAL,CRANKCASE	1	
07	0A70-013004	PLUG	1	
08	01A0-012010-00001	SCREW	2	
09	0DM0-013001-00001	GASKET, RH SIDE COVER	1	
10	30403-01200	BEARING	2	
11	0010-080009	OIL SEAL	1	
12	0700-013007	WASHER	1	
13	0DM0-013012-40000	RETURN SPRING, CLUTCH CONTROL ROD	1	
14	0DM0-013300-40000	CLUTCH CONTROL SHAFT ASSY	1	
15	0110-013030	O-RING	1	
16	0700-013008	PLUG, OIL FILLING	1	
17	0010-060012-0010	BOLT M6x30	11	
19	0010-023010-0010	BOLT M6x20	5	
20	0DM0-013003-0HB01	STRAINER COVER	1	
21	30502-057000F	O-RING 57x3	1	
22	0DM0-013009	SPRING, FILTER ELEMENT	1	
23	0DM0-013200	OIL FILTER ASSY, ENGINE	1	
25	0700-013100-00001	VIEWER, OIL LEVEL	1	
26	0700-012201	O-RING	1	
27	0DMB-019000	DECO COVER	1	
28	0HU0-013009	RETAINER	1	

左侧盖分总成 LEFT SIDE COVER



Item No.	Parts Number	Parts Name(EN)	Qty	Remark(s)
01	0DMB-014002-0HB00	LH SIDE COVER (VELOCITY GREY)	1	
02	0010-060012-0010	BOLT M6x30	9	
03	01A0-012003	O-SEAL RING 35x3.5	1	
04	01A0-012002-0HB00	STRAINER COVER	1	
05	0DM0-014100	REAR COVER ASSY, LH	1	
06	0010-013009-0010	BOLT M6x40	2	
07	0010-023010-0010	BOLT M6x20	1	
08	0DM0-014003	VIEWING HOLE, TIMING INSPECTION	1	
09	01A0-013005	O-SEAL RING 13x2	1	
10	0010-013010-0010	BOLT M6x50	1	
11	30410-00800	ROLLER	2	
12	0DM0-014004	FIXING PAD, HARNESS	1	
13	0010-080010-00001	BOLT M6x10	1	
14	0DM0-014001-00001	GASKET, LH SIDE COVER	1	
15	30102-050012810	SCREW M5x12	1	
16	0A80-014005	WIRE CLAMP	1	

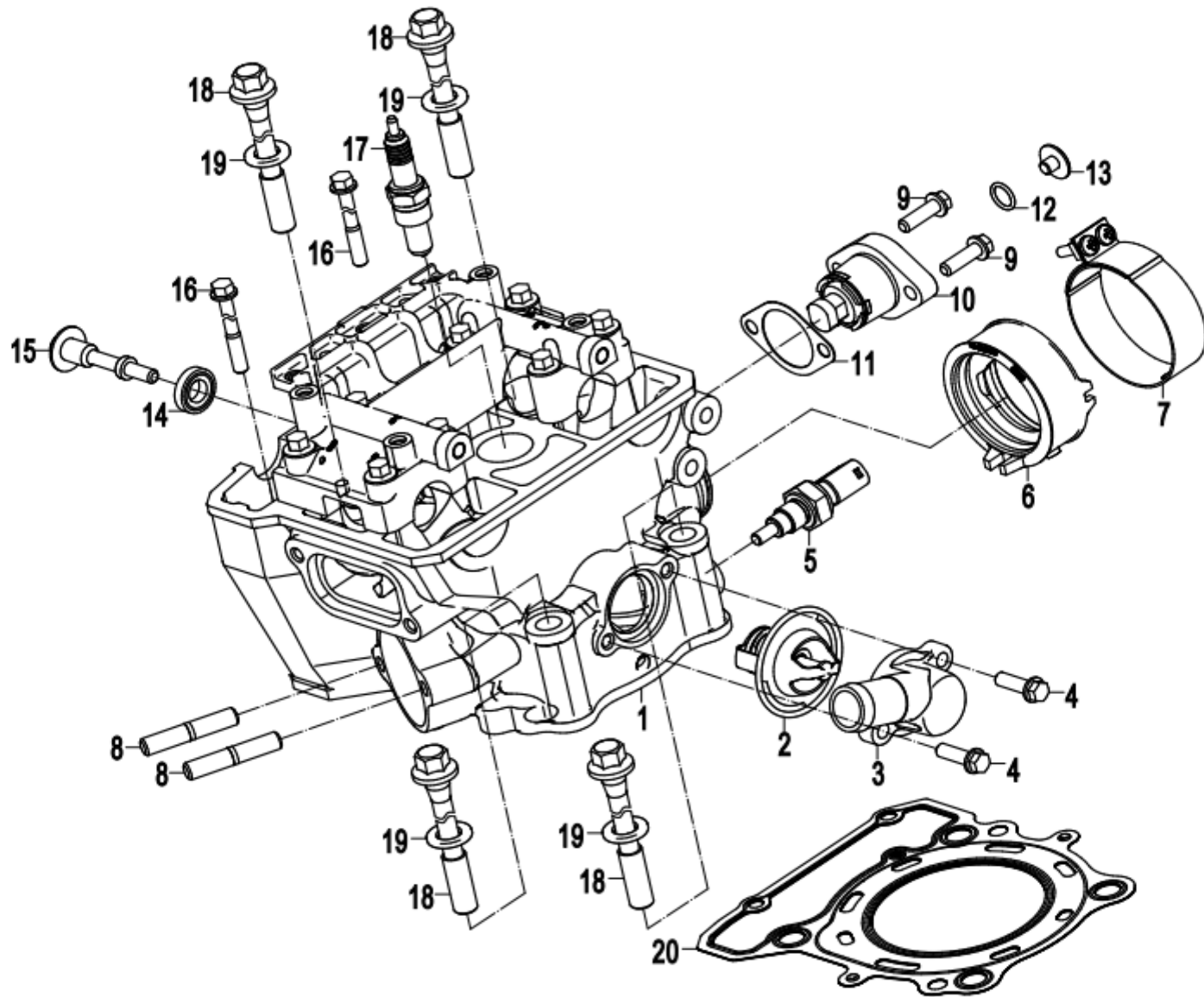
E02-1 气缸盖罩分总成 CYLINDER HEAD COVER



Item No.	Parts Number	Parts Name(EN)	Qty	Remark(s)
01	ODM0-021100	SEAL RING ASSY, CYLINDER HEAD COVER	1	
02	ODM0-021001-0HB00	CYLINDER HEAD COVER	1	
03	0700-021200	SEAL RING, CYLINDER HEAD COVER BOLT	4	
04	0700-021003-00001	BOLT, CYLINDER HEAD COVER	4	
05	ODM0-178000	IGNITION COIL	1	
06	ODM0-021002	PRESS PLATE	1	
07	0010-021019-0010	BOLT M6x12	1	

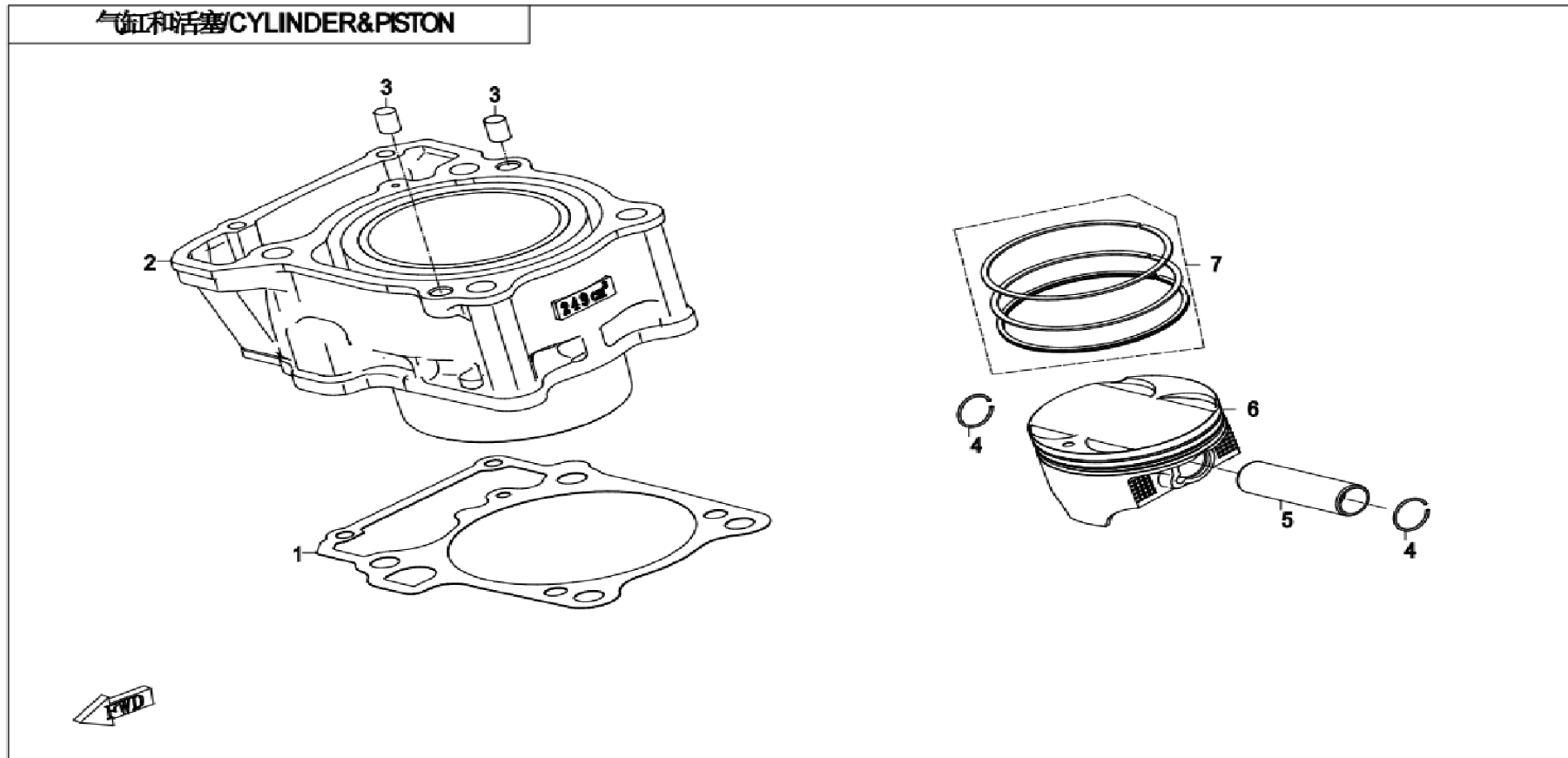
E02-2 气缸盖分总成 CYLINDER COVER

气缸盖分总成 CYLINDER HEAD



Item No.	Parts Number	Parts Name(EN)	Qty	Remark(s)
01	ODM0-022200-1BP00	CYLINDER BODY ASSY	1	
02	ODM0-022400	THERMOSTAT ASSY	1	
03	ODM0-022005-0BP00	THERMOSTAT CAP	2	
04	0010-023010-0010	BOLT M6x20	1	
05	018B-022810	WATER TEMPERATURE SENSOR	1	
06	ODM0-022006	CONNECTING PIPE, THROTTLE BODY	1	
07	ODM0-022300	CLAMP, CONNECTING PIPE	4	
08	0180-022003-00001	STUD	2	
09	0010-080013-0010	BOLT M6x22	1	
10	ODM0-024500	TENSIONER ASSY	1	
11	ODM0-024011	SEALING GASKET, TENSIONER	1	
12	0060-022001	O-SEAL RING	1	
13	0JYA-023001-00001	HEX FLANGE BOLT M6X6	1	
14	0700-021200	CYLINDER HEAD COVER BOLT SEAL RING	1	
15	ODM0-022008-00001	CYLINDER HEAD DAMPING BOLT	2	
16	0010-011016-00001	BOLT	1	
17	0700-170200	SPARK PLUG	4	
18	0700-022013-00001	CYLINDER HEAD BOLT	4	
19	0700-022016	WASHER 10.5x19x2.3	1	
20	ODM0-022100	GASKET KIT, CYLINDER HEAD	1	

E02-3 气缸和活塞 CYLINDER & PISTON

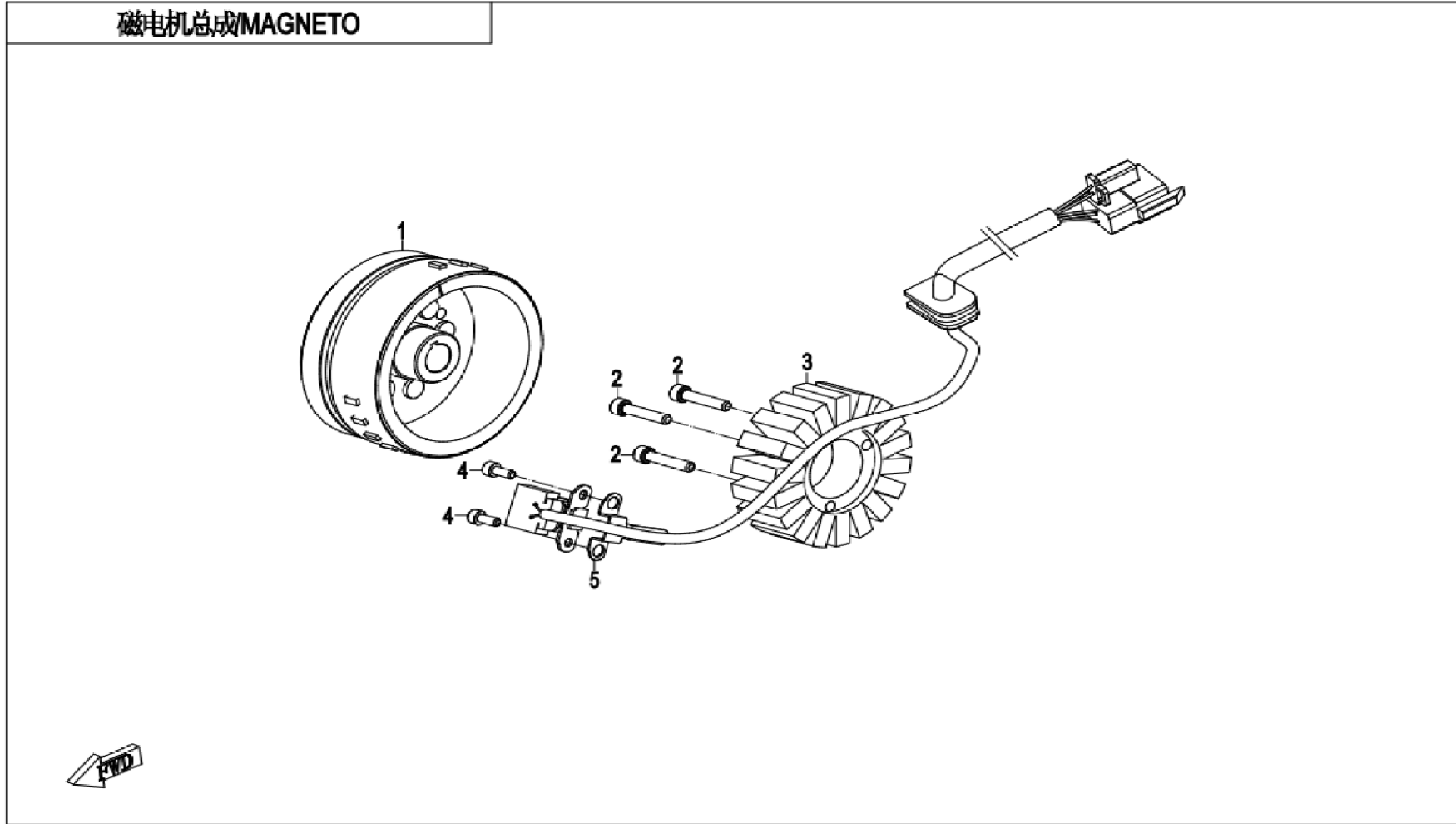


Item No.	Parts Number	Parts Name(EN)	Qty	Remark(s)
01	ODM0-023001-10000	SEAL GASKET, CYLINDER	1	
02	ODM0-023100-0BP11	CYLINDER ASSY	1	Matte black spray
03	30410-00800	ROLLER	2	
04	0110-040006-0050	CIRCLIP, PISTON PIN	2	
05	ODM0-040008	PISTON PIN	1	
06	ODM0-040007-00021	PISTON	1	
06	ODM0-040007-00011	PISTON	1	
07	ODM0-040100	PISTON RING ASSY	1	

Item No.	Parts Number	Parts Name(EN)	Qty	Remark(s)
01	0010-021019-0010	BOLT M6x12	1	
02	0DM0-024002	STOPPER, CHAIN GUIDE	1	
03	0DM0-024008	CHAIN GUIDE	1	
04	0DM0-024009	CHAIN GUARD	1	
05	0DMB-024002	TENSIONER PLATE	1	
06	0DMB-024001	THREADED SHAFT PIN	1	
07	0DM0-024300	TIMING CHAIN	1	
08	0DM0-024005	CHAIN GUIDE BLOCK	1	
09	0DM0-024200-10000	CAMSHAFT, AIR EXHAUST	1	
10	0700-022005-0090	TAPPET t=3.38	4	
10	0700-022005-0100	TAPPET t=3.40	4	
10	0700-022005-0110	TAPPET t=3.42	4	
10	0700-022005-0120	TAPPET t=3.44	4	
10	0700-022005-0130	TAPPET t=3.46	4	
10	0700-022005-0140	TAPPET t=3.48	4	
10	0700-022005-0150	TAPPET t=3.50	4	
10	0700-022005-0160	TAPPET t=3.52	4	
10	0700-022005-0170	TAPPET t=3.54	4	
10	0700-022005-0180	TAPPET t=3.56	4	
10	0700-022005-0190	TAPPET t=3.58	4	
10	0700-022005-0200	TAPPET t=3.60	4	
10	0700-022005-0210	TAPPET t=3.62	4	
10	0700-022005-0220	TAPPET t=3.64	4	
10	0700-022005-0230	TAPPET t=3.66	4	
10	0700-022005-0240	TAPPET t=3.68	4	
10	0700-022005-0250	TAPPET t=3.70	4	
10	0700-022005-0260	TAPPET t=3.72	4	
10	0700-022005-12800	TAPPET t=3.74	4	
10	0700-022005-0280	TAPPET t=3.76	4	
10	0700-022005-0290	TAPPET t=3.78	4	

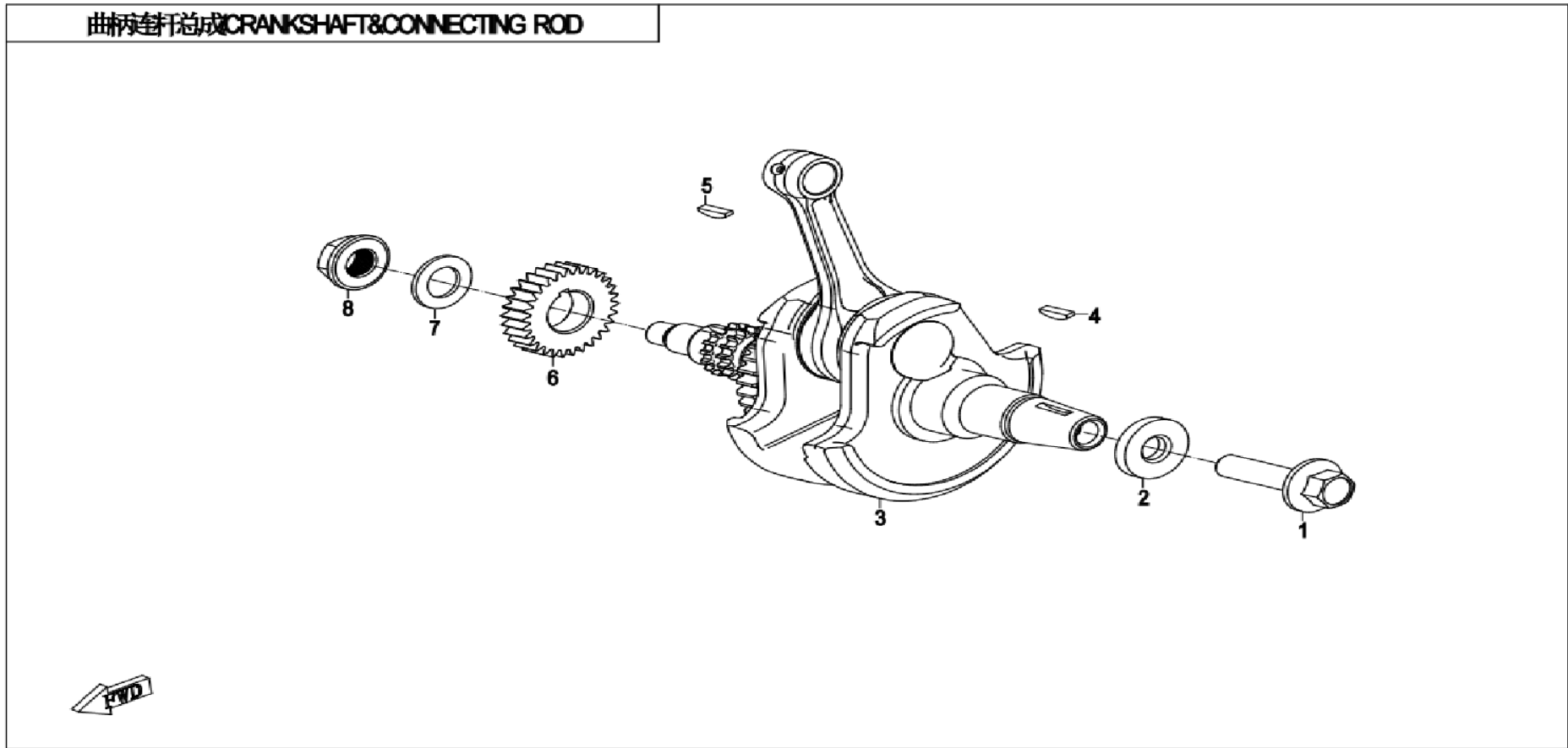
10	0700-022005-0300	TAPPET t=3.80	4	
10	0700-022005-0310	TAPPET t=3.82	4	
10	0700-022005-0320	TAPPET t=3.84	4	
10	0700-022005-0330	TAPPET t=3.86	4	
10	0700-022005-0340	TAPPET t=3.88	4	
10	0700-022005-0350	TAPPET t=3.90	4	
10	0700-022005-0360	TAPPET t=3.92	4	
10	0700-022005-0370	TAPPET t=3.94	4	
10	0700-022005-0380	TAPPET t=3.96	4	
10	0700-022005-0390	TAPPET t=3.98	4	
10	0700-022005-0400	TAPPET t=4.00	4	
10	0700-022005-0410	TAPPET t=4.02	4	
10	0700-022005-0420	TAPPET t=4.04	4	
10	0700-022005-0430	TAPPET t=4.06	4	
10	0700-022005-0440	TAPPET t=4.08	4	
10	0700-022005-0450	TAPPET t=4.10	4	
10	0700-022005-0460	TAPPET t=4.12	4	
10	0700-022005-0470	TAPPET t=4.14	4	
10	0700-022005-0480	TAPPET t=4.16	4	
10	0700-022005-0490	TAPPET t=4.18	4	
10	0700-022005-15100	TAPPET t=4.20	4	
10	0700-022005-15200	TAPPET t=4.22	4	
10	0700-022005-0520	TAPPET t=4.28	4	
10	0700-022005-0530	TAPPET t=4.24	4	
10	0700-022005-15500	TAPPET t=4.26	4	
11	0700-022004	LOCK CLIP, VALVE	8	
12	0700-022003	UPPER SEAT, VALVE SPRING	4	
13	0700-022007-10000	SPRING, VALVE (HANG ZHOU SPRING)	4	
14	0700-022006	LOWER SEAT, VALVE SPRING	4	
15	0700-022400-1000	SEAL RING, VALVE STEM	4	
16	0DM0-022002-00001	AIR EXHAUST VALVE	2	
17	0DM0-022001-00001	AIR INTAKE VALVE	2	
18	0DM0-024100-10000	CAMSHAFT, AIR INTAKE	1	

E03 磁电机总成 MAGNETO



Item No.	Parts Number	Parts Name(EN)	Qty	Remark(s)
01	0DM0-031000-10001	MAGNETO ROTOR ASSY	1	
02	0060-030003-00001	INNER HEX BOLT (M6X30)	3	
03	0DMV-032000-0001	MAGNETO STATOR ASSY	1	
04	30102-050012810	SCREW	2	
05	0DM0-030001	CABLE FIX BRACKET, TRIGGER	1	

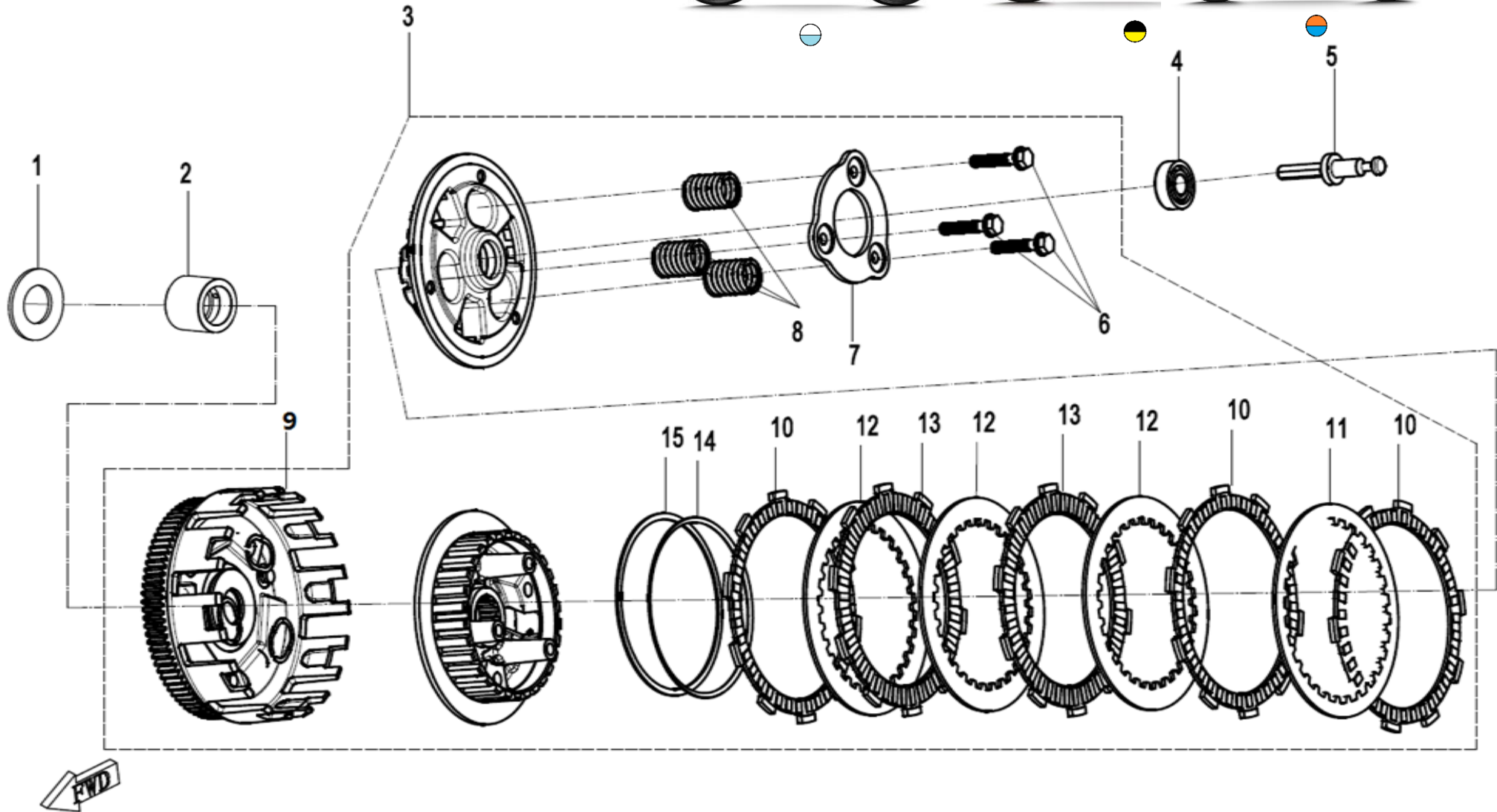
E04 曲轴连杆总成 CRANKSHAFT&CONNECTING ROD



Item No.	Parts Number	Parts Name(EN)	Qty	Remark(s)
01	0700-040001-20000	BOLT M12x1.25x45	1	
02	0700-040002-00001	WASHER 12.5x33x5	1	
03	0DM0-041000-00014	CRANKSHAFT ASSEMBLY (A GROUP)	1	
04	0010-040006	WOODRUFF KEY	1	
05	0DM0-040009	WOODRUFF KEY	1	
06	0DM0-040002	OUTPUT GEAR	1	
07	0DM0-040003	CIRCLIP16	1	
08	0110-040001-00002	NUT	1	



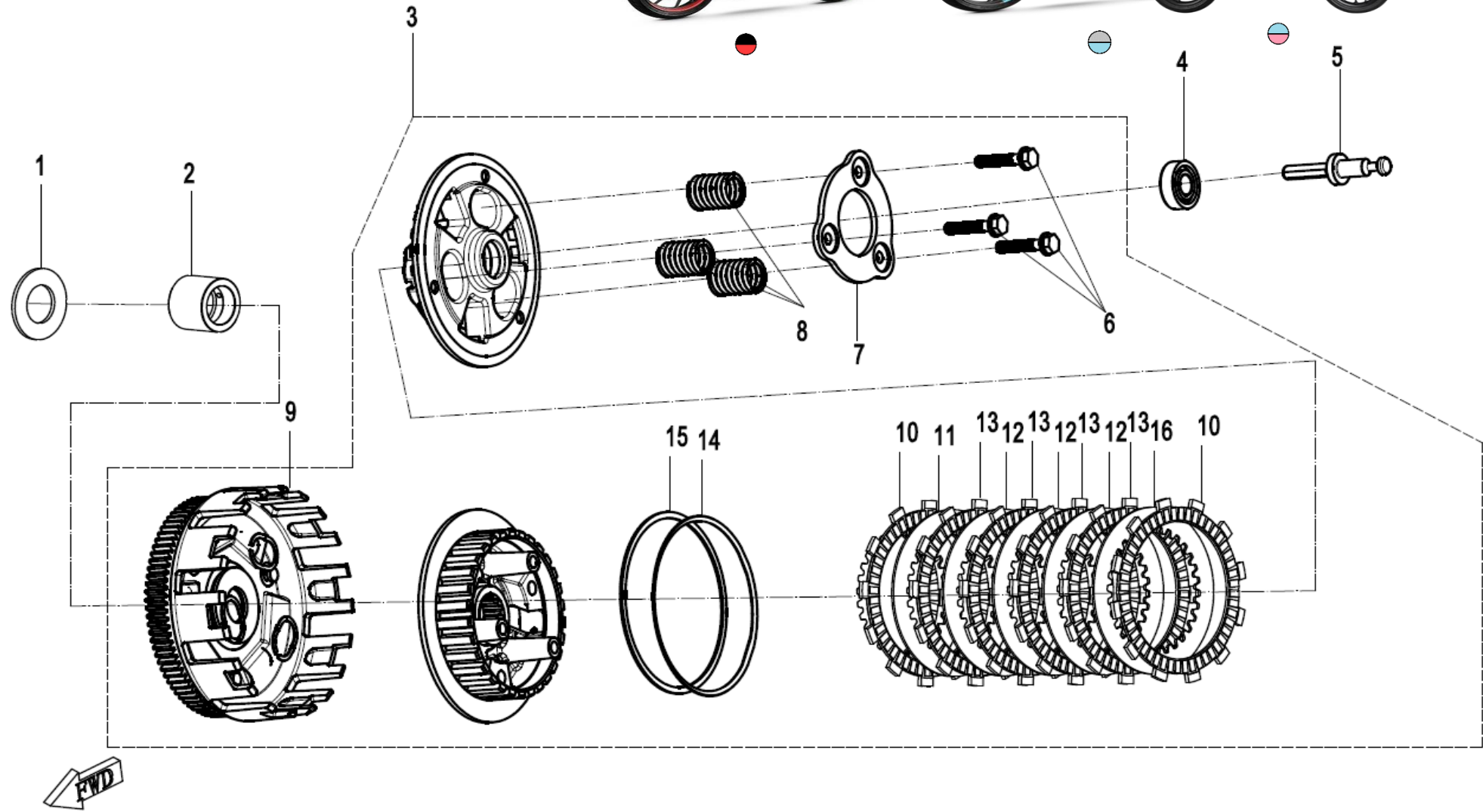
离合器总成/CLUTCH ASSY



Item No.	Parts Number	Parts Name(EN)	Qty	Remark(s)
01	0DM0-050004	WASHER 20x37x2	1	FCC
02	0DM0-050003	COLLAR	1	FCC
03	0DMB-051000	CLUTCH SUB ASSY.	1	FCC
04	30400-01207	ROLLER BEARING	1	FCC
05	0DMB-050001	TIE-ROD	1	FCC
06	0DMB-051208	BOLT M6x30	3	FCC
07	0DMB-051209	PRESS SPRING PLATE	1	FCC
08	0DMB-051202	PRESS SPRING	3	FCC
09	0DMB-051100	PRIMARY DRIVEN GEAR ASSY	1	FCC
10	0DMB-051220	FRICTION DISC 2	3	FCC
11	0DMB-051205	DRIVEN DISC 1	1	FCC
12	0DMB-051207	DRIVEN DISC 2	3	FCC
13	0DMB-051210	FRICTION DISC 1	2	FCC
14	0DMB-051204	BELLEVILLE SPRING	1	FCC
15	0DMB-051203	BELLEVILLE SEAT	1	FCC

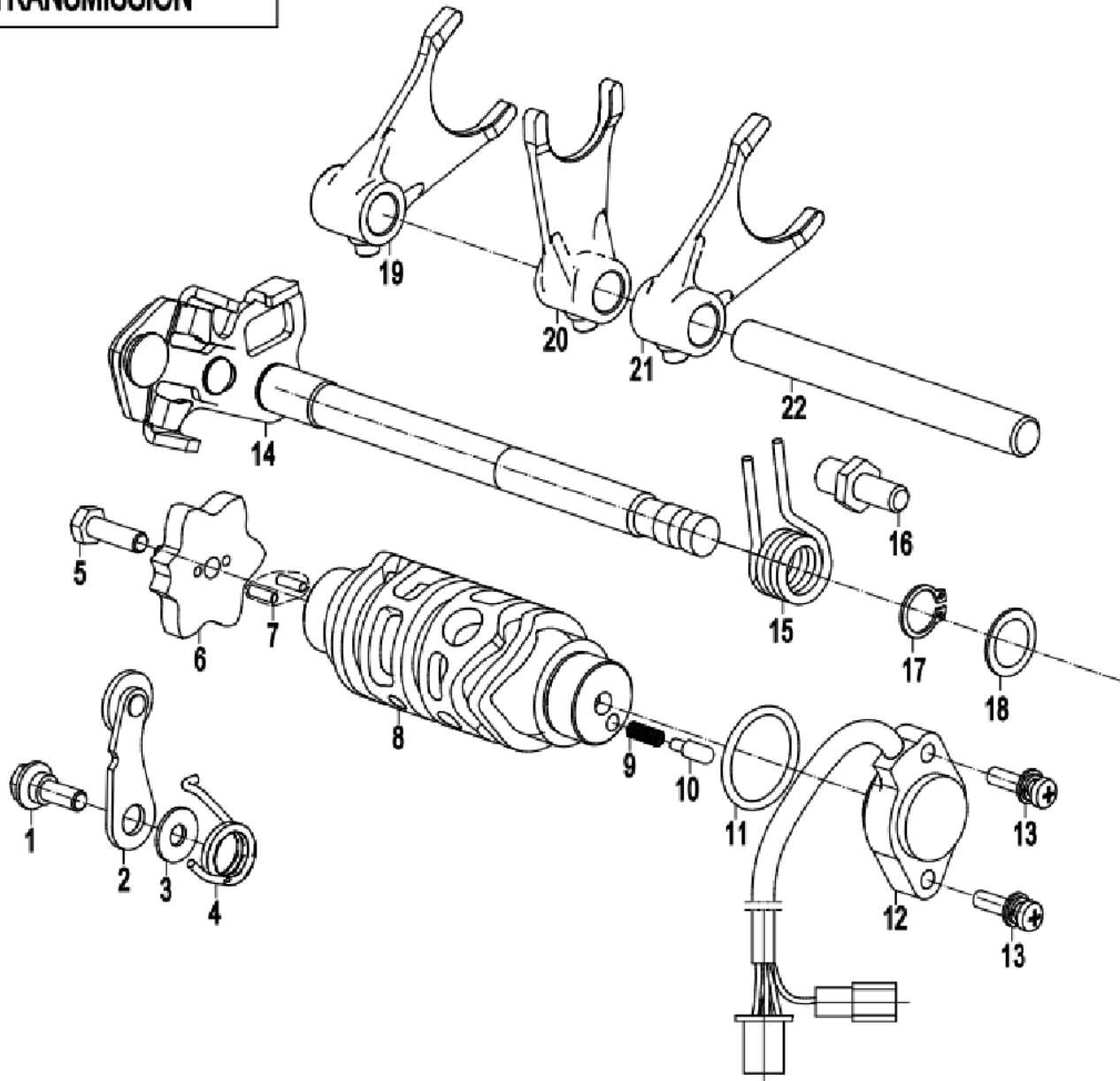


离合器总成/CLUTCH ASSY



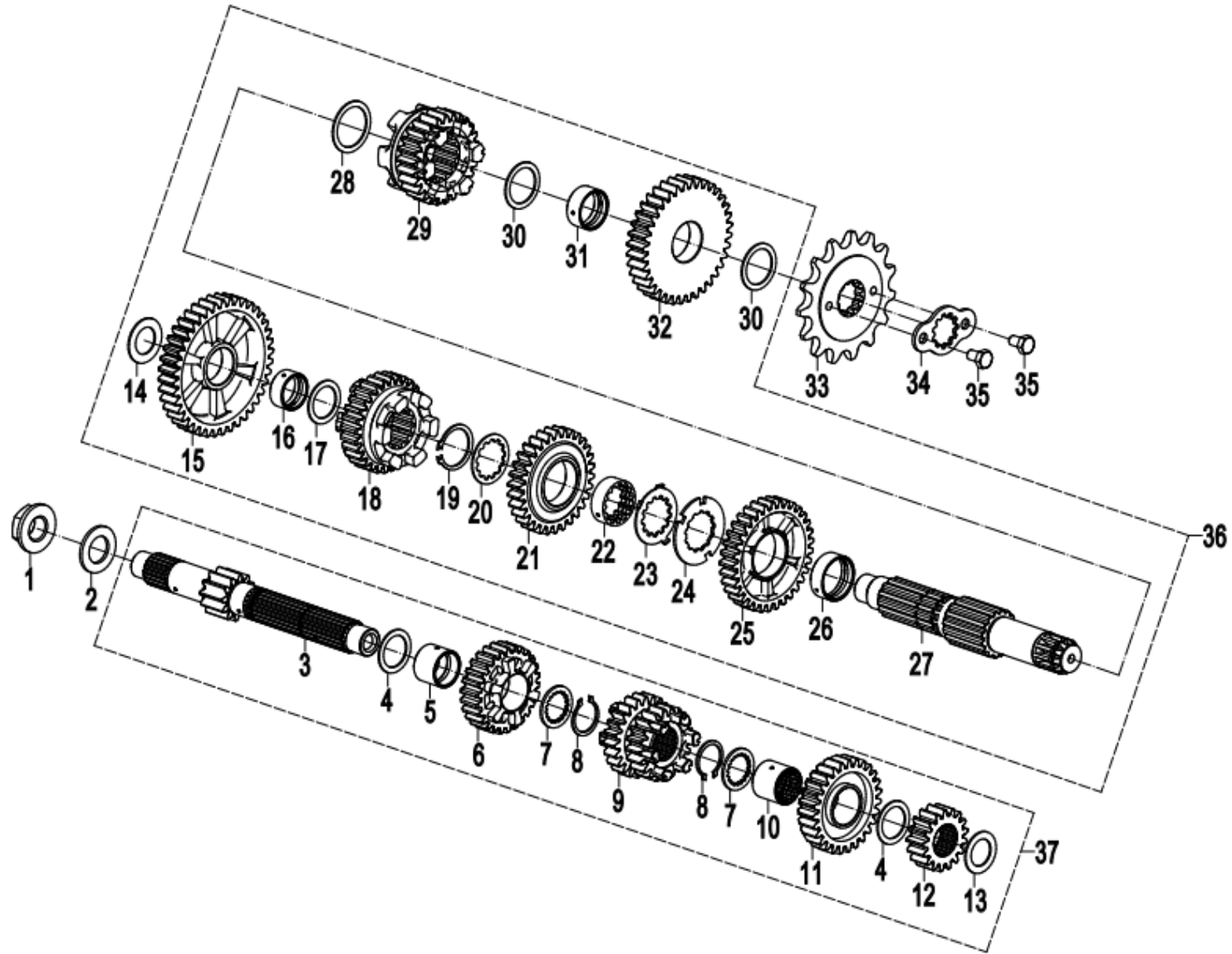
Item No.	Parts Number	Parts Name(EN)	Qty	Remark(s)
01	ODM0-050004	WASHER 20x37x2	1	VAVE
02	ODM0-050003	COLLAR	1	VAVE
03	ODM0-050000-40000	CLUTCH ASSY	1	VAVE
04	30400-00802	BEARING	1	VAVE
05	ODM0-050001-40000	ROD	1	VAVE
06	ODM0-052008-40000	BOLT M6×30	3	VAVE
07	ODM0-052001-40000	LIFT-SLAB	1	VAVE
08	ODM0-052002-40000	PRESS SPRING	3	VAVE
09	ODM0-051000	PRIMARY DRIVEN GEAR ASSY	1	VAVE
10	ODM0-052300-00001	FRICITION DISC ASSY 1	2	VAVE
11	ODM0-052007	DRIVEN DISC 2	1	VAVE
12	ODM0-052005	DRIVEN DISC 1	3	VAVE
13	ODN0-052200	FRICITION DISC ASSY	4	VAVE
14	ODM0-052004-10000	BELLE SPRING	1	VAVE
15	ODM0-052003-10000	SPRING SEAT	1	VAVE
16	ODM0-052009-40000	DRIVEN DISC 3	1	VAVE

换档变速总成 TRANSMISSION



Item No.	Parts Number	Parts Name(EN)	Qty	Remark(s)
01	0A70-065001-00001	BOLT, GEARSHIFT CAM	1	
01	0A70-065001	BOLT, CAM M6	1	
02	0DM0-065100-00001	SWING ARM, GEARSHIFT	1	
03	0700-064001	WASHER 6.3x16.3x1.2	1	
04	0DM0-065001	SPRING, SWING ARM, GEARSHIFT	1	
05	30004-060016130	BOLT M6x16	1	
06	0DM0-064002	CAM, GEARSHIFT DRUM	1	
07	30406-00303	NEEDLE BEARING	2	
08	0DM0-064001-00001	SHIFT DRUM (with 0DMV-066000-1302 or 0A8V-066000-1001)	1	
09	0A70-064003	SPRING	2	
10	0A70-064004	CONTACTOR, GEAR SWITCH	2	
11	0A70-060014	O-RING 26.2x2.4	1	
12	0A8V-066000-1001	GEAR POSITION SENSOR	1	
13	30116-050020410	SCREW ASSY M5x20	2	
14	0DM0-063100-00001	GEARSHIFT ROD ASSY	1	
15	0DM0-063001	RETURN SPRING, GEARSHIFT	1	
16	0DM0-063002-00001	SHIFT POSITION SPRING PIN	1	
17	30801-01405	CIRCLIPS FOR SHAFT14	1	
18	0DM0-063003	WASHER 14x20x1	1	
19	0DM0-060006	SHIFT FORK, RH	1	
20	0DM0-060005	SHIFT FORK, MID	1	
21	0DM0-060004	SHIFT FORK, LH	1	
22	0DM0-060003	FORK SHAFT	1	

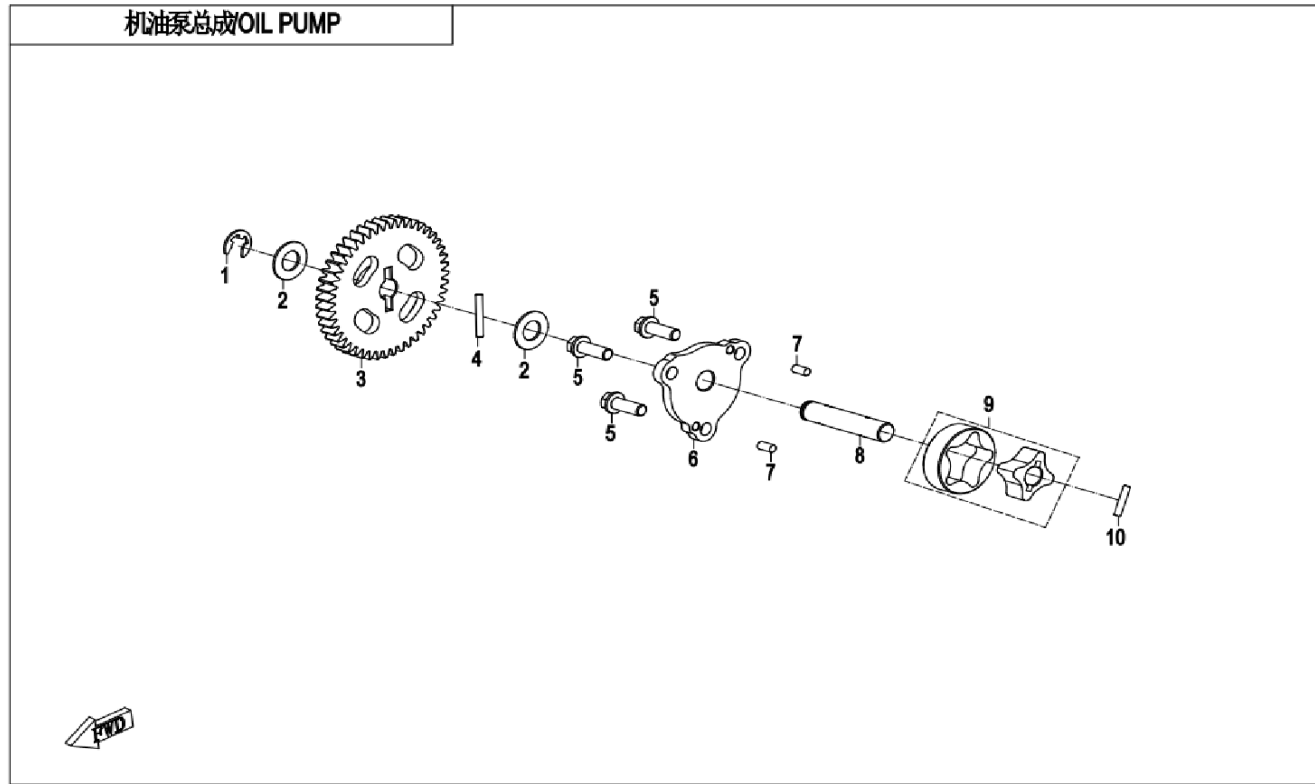
换档变速总成 TRANSMISSION



Item No.	Parts Number	Parts Name(EN)	Qty	Remark(s)
01	0110-040001-00002	NUT	1	
02	0DM0-040003	CIRCLIP16	2	
03	0DM0-061001	DRIVE SHAFT	1	
04	0DM0-061006	WASHER 20x27x1	2	
05	0DM0-061007	BUSHING 20x23x17.2	1	
06	0DM0-061004	DRIVE GEAR 26	1	
07	0DM0-061008	SPLINE WASHER 20x26x1.6	2	
08	0DM0-061012	CIRCLIPS FOR SHAFT 20	2	
09	0DM0-061003	DRIVE GEAR	1	
10	0DM0-061009	SPLINE SLEEVE 23	1	
11	0DM0-061005	DRIVE GEAR 27	1	
12	0DM0-061002	DRIVE GEAR 17	1	
13	0DM0-061011	WASHER 17x26x1	1	
14	0DM0-062021	LOCK WASHER 17x28x1	1	
15	0DM0-062002	DRIVEN GEAR	1	
16	0DM0-062019	BUSHING 20x23x10.5	1	
17	0DM0-062018	WASHER 20	1	
18	0DM0-062006	DRIVEN GEAR	1	
19	0DM0-062017	CIRCLIPS FOR SHAFT 25	1	
20	0DM0-062016	SPLINE WASHER 25x31x1	1	
21	0DM0-062005	DRIVEN GEAR	1	
22	0DM0-062015	SPLINE SLEEVE 25x10	1	
23	0DM0-062014	LOCK WASHER 25	1	
24	0DM0-062013	SPLINE WASHER 25x42x1.6	1	
25	0DM0-062004	DRIVEN GEAR 33	1	
26	0DM0-062012	BUSHING 25x28x10	1	
27	0DM0-062001	SECONDARYSHAFT	1	
28	0DM0-062011	WASHER 25x32x1	1	
29	0DM0-062007	DRIVEN GEAR	1	

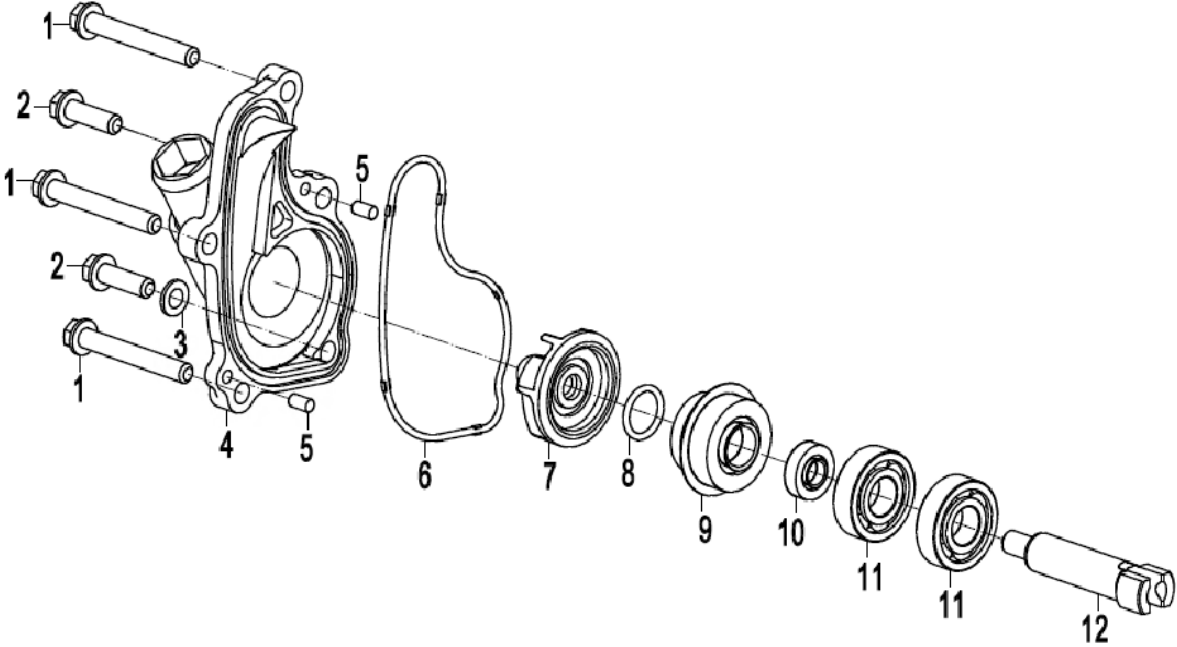
Item No.	Parts Number	Parts Name(EN)	Qty	Remark(s)
30	ODM0-062008	WASHER 22x29x1	2	
31	ODM0-062009	BUSHING 22x25x11	1	
32	ODM0-062003	DRIVEN GEAR 36	1	
33	ODM0-060001-00001	DRIVE SPROCKET	1	
34	ODM0-060002	GUARD, SPROKET	1	
35	30004-060010850	BOLT M6x10	2	
36	ODM0-062000	COUNTERSHAFT ASSY	1	
37	ODM0-061000	MAIN SHAFT ASSY	1	

E07 机油泵总成 OIL PUMP



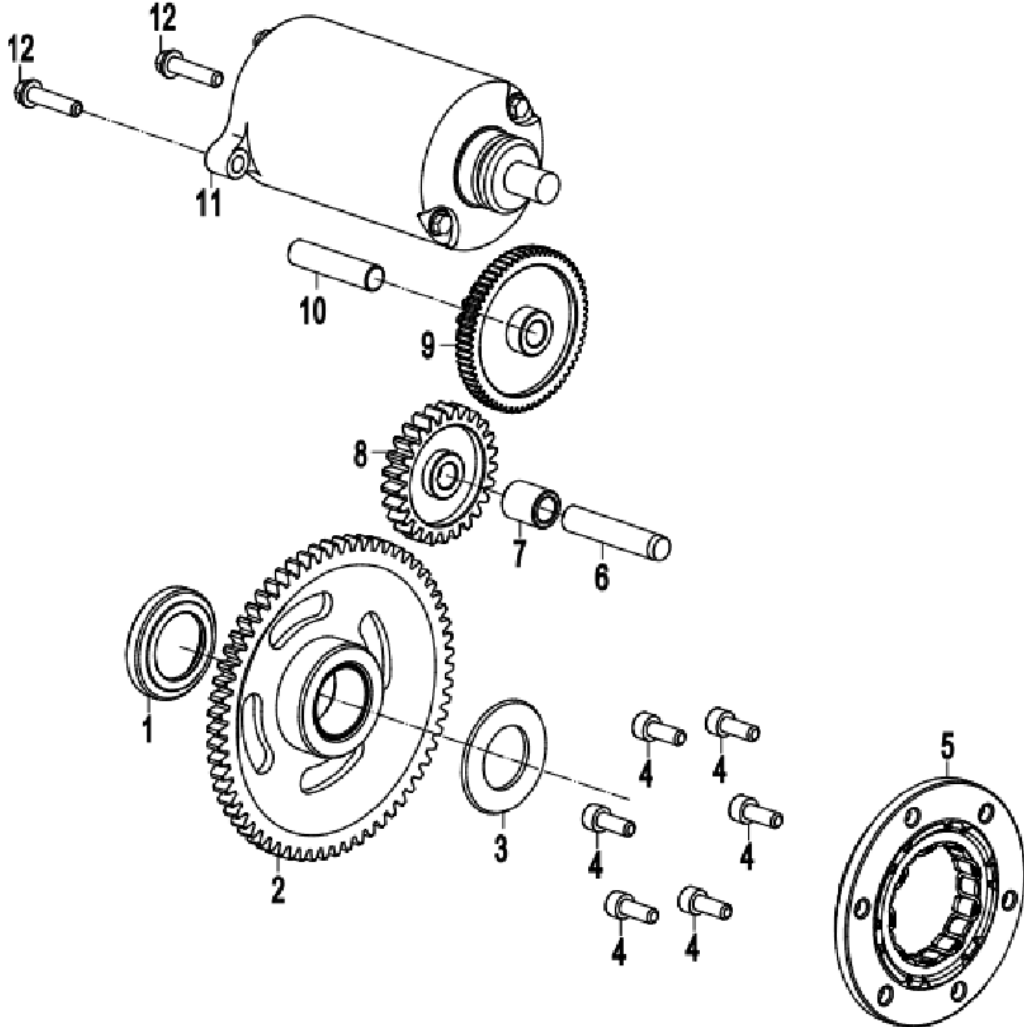
Item No.	Parts Number	Parts Name(EN)	Qty	Remark(s)
01	30802-00805	SPLIT WASHER 8	1	
02	0800-011005	WASHER 10	2	
03	0DM0-070003	GEAR, OIL PUMP	1	
04	30406-00300	ROLLER NEEDLE P3x21.8	1	
05	0010-090005-0010	BOLT M6x16	3	
06	0DM0-070002	COVER, OIL PUMP	1	
07	30406-00401	ROLLER NEEDLE P4x7.8	2	
08	0DM0-070001	SHAFT, OIL PUMP	1	
09	0DM0-070100	ROTOR ASSY, OIL PUMP	1	
10	30406-00304	ROLLER NEEDLE	1	

水泵总成/ WATER PUMP ASSY



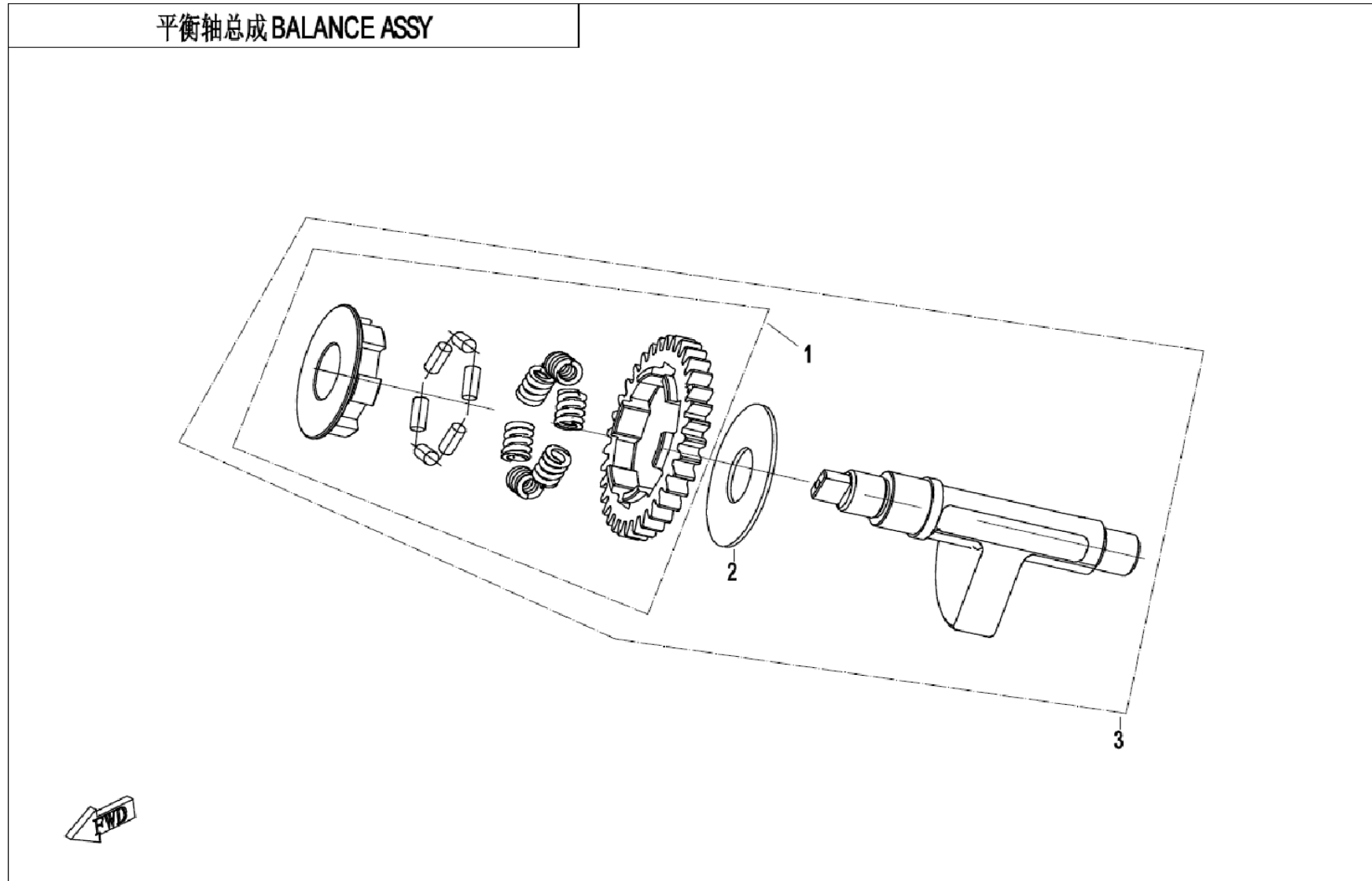
Item No.	Parts Number	Parts Name(EN)	Qty	Remark(s)
01	0180-013208-0010	BOLT M6x45	3	
02	0010-023010-0010	BOLT M6x20	2	
03	0010-060009	WASHER 6	1	
04	0DM0-080100-0HB01	WATER PUMP COVER ASSY (SILVER GREY)	1	
05	30406-00401	ROLLER NEEDLE P4x7.8	2	
06	0DM0-080003	SEAL RING, WATER PUMP COVER	1	
07	0DM0-080002	IMPELLER, WATER PUMP	1	
08	01A0-013005	O-SEAL RING 13x2	1	
09	0JWA-081000	WATER SEAL ASSY	1	
10	0010-080009	OIL SEAL 12x20x5	1	
11	30400-01207	ROLLER BEARING	2	
12	0DM0-080001-00001	SHAFT, WATER PUMP	1	

起动系统 STARTING SYSTEM



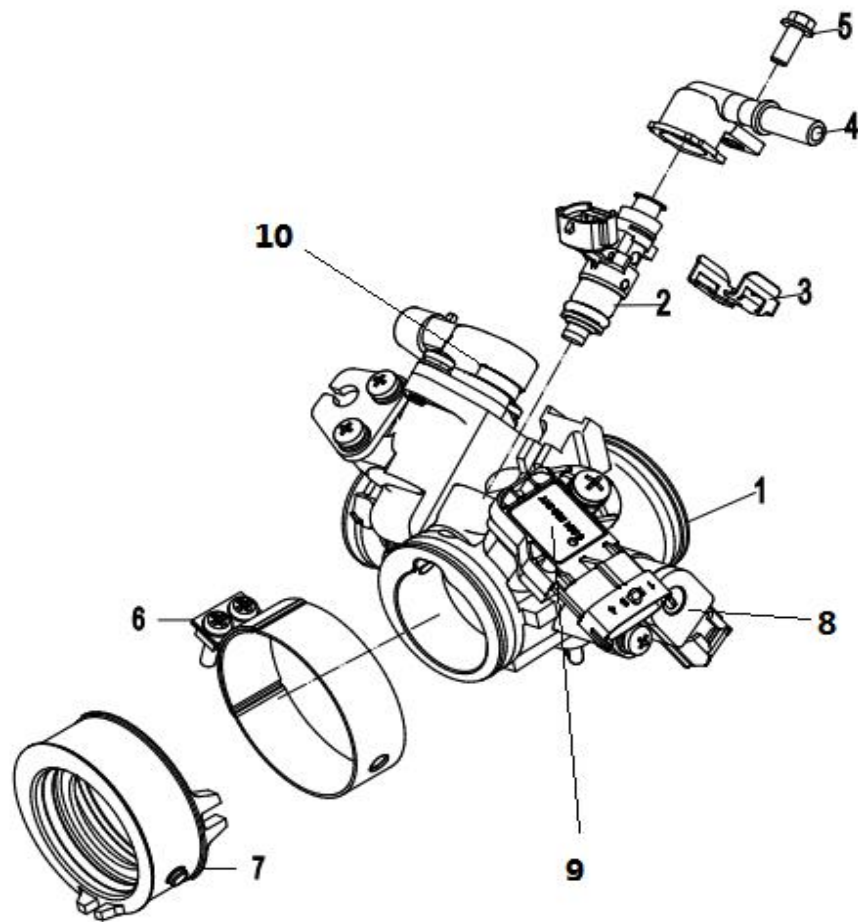
Item No.	Parts Number	Parts Name(EN)	Qty	Remark(s)
01	ODM0-090007	SPACER RING	1	
02	ODM0-092000-00001	GEAR ASSY, STARTING MOTOR	1	
03	ODM0-090001	WASHER 27x44x1	1	
04	30102-060016810	SCREW	6	
05	ODM0-091000	OVERRIDING CLUTCH	1	
06	0800-011202	SHAFT, BREATHER	1	
07	ODM0-090004	BUSHING, MIDDLE GEAR	1	
08	ODM0-090002-00001	STARTING GEAR	1	
09	ODM0-090006	DUAL GEAR	1	
10	ODM0-090005	AXLE, DUAL GEAR	1	
11	ODM0-093000	STARTING MOTOR	1	
12	0010-021017-0010	BOLT M6x25	2	

E16 平衡轴总成 BALANCER SHAFT



Item No.	Parts Number	Parts Name(EN)	Qty	Remark(s)
01	ODM0-162000-00020	DRIVEN GEAR ASSY, BALANCER SHAFT (B GROUP)	1	
02	ODM0-160002	WASHER 20x5x1.5	1	
03	ODM0-160000-10020	BALANCER SHAFT ASSY (B GROUP)	1	

节气门体和喷油器 THROTTLE & INJECTOR



Item No.	Parts Number	Parts Name(EN)	Qty	Remark(s)
01	ODM#-170030-1100	THROTTLE BODY ASSY	1	
02	ODM0-171000	FUEL INJECTOR	1	
03	ODM0-173002	CIRCLIP	1	
04	ODM0-173001	INJECTOR CAP	1	
05	0700-012013-00002	BOLT	1	
06	ODM0-022300	CLAMP, CONNECTING PIPE	1	
07	ODM0-022006	CONNECTING PIPE, THROTTLE BODY	1	
08	0A80-173100	THROTTLE POSITION SENSOR	1	
09	0JY0-175000	T-MAP	1	
10	ODM0-173200-10000	STEPPER MOTOR	1	
11	018B-022810	WATER TEMPERATURE SENSOR	1	