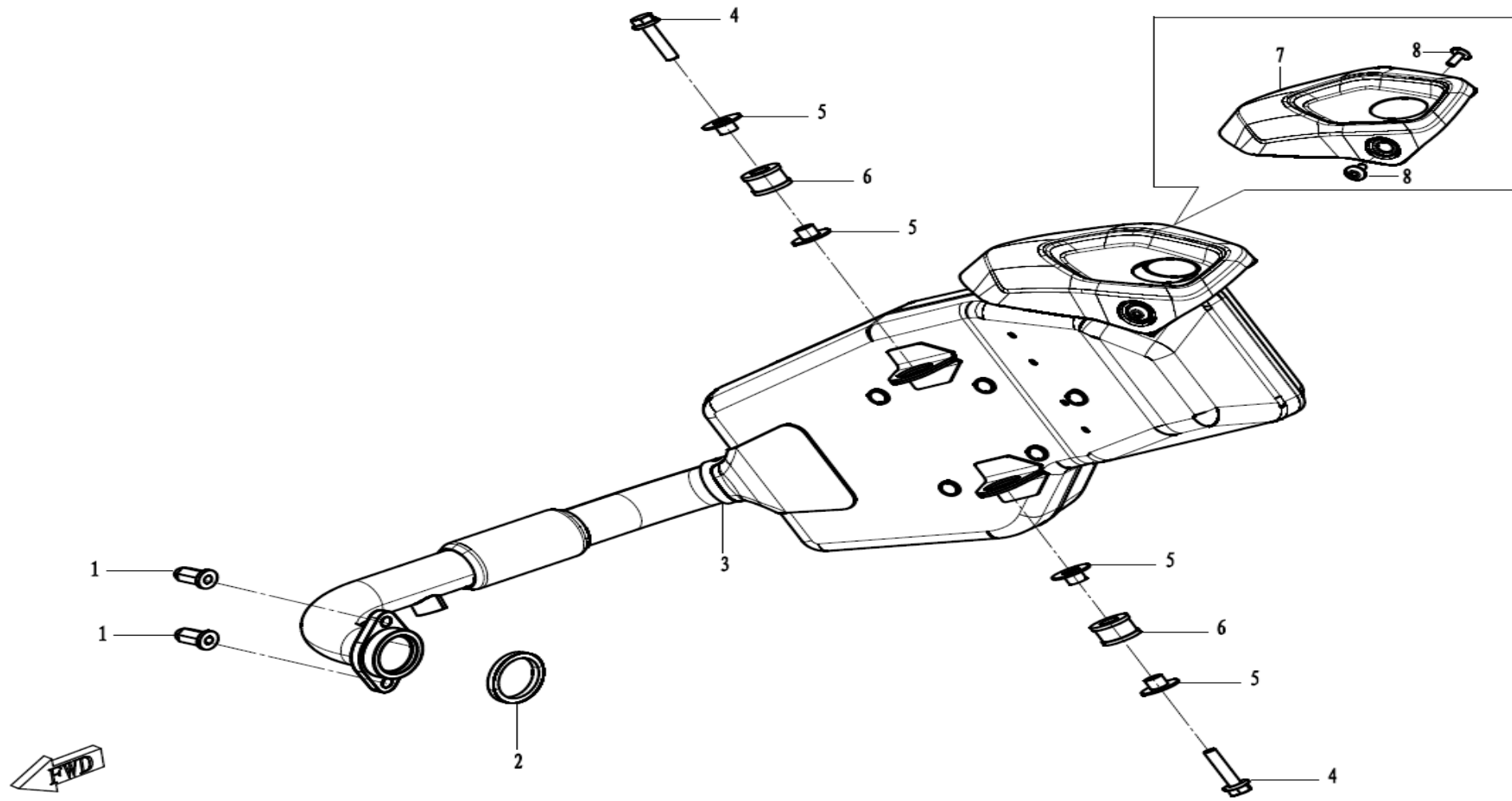


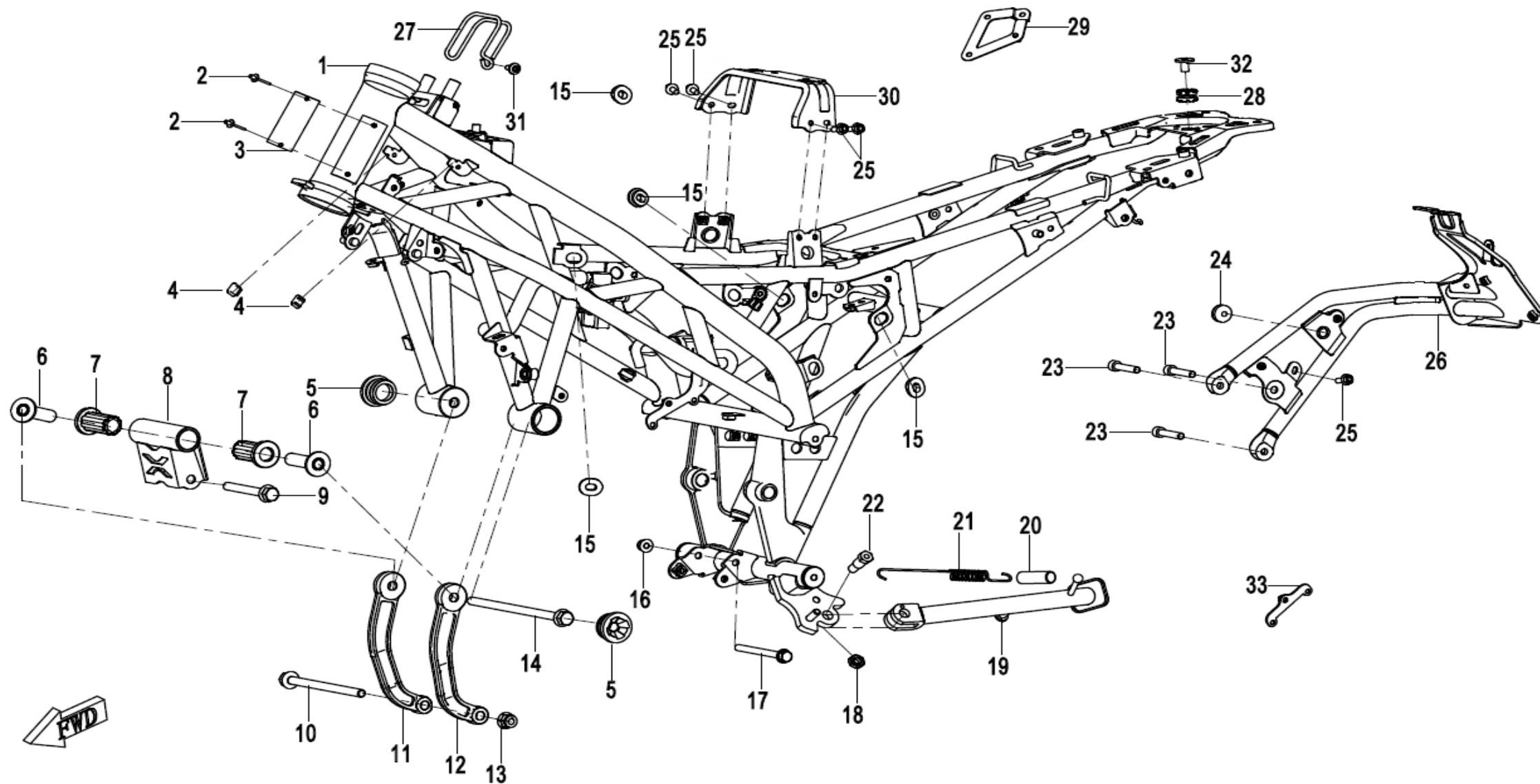
POSITION NO.	CODE	EN DESCRIPTION	CN DESCRIPTION	QTY / UNIT	REMARKS
1	6GUV-011000-6002	LOCK KIT	锁具组合	1	
2	30102-050012810	SCREW M5x12	螺钉	2	
3	30006-060016810	BOLT M6x16	螺栓	2	
4	6KJ0-010001	BOLT	断头螺栓	2	
5	6KMV-010010-C000	CABLE, SEAT	座垫拉索	1	
6	30102-050008900	INNER HEX SCREW M5x8	内六角圆柱头螺钉	2	
7	30102-050025900	INNER HEX SCREW M5x25	内六角圆柱头螺钉	3	
8	6KMV-011020-B001	KEY	钥匙	2	

F02 消声器总成/MUFFLER COMP



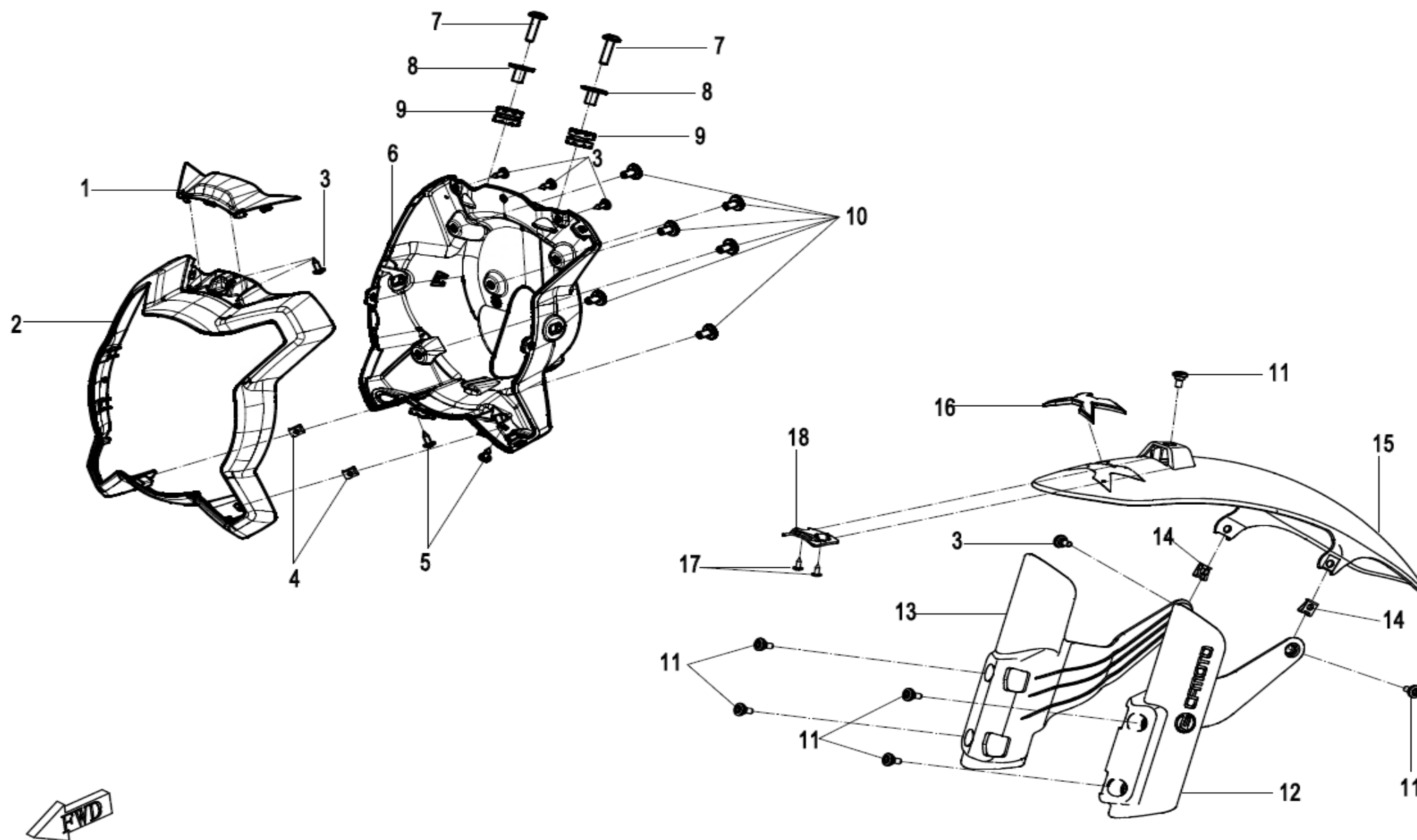
POSITION NO.	CODE	EN DESCRIPTION	CN DESCRIPTION	QTY / UNIT	REMARKS
1	8010-020001	NUT M8, MUFFLER JOINT	消声器接头螺母M8	2	
2	6KM0-020010	SEAL WASHER, EXHAUST PORT	排气口密封垫	1	
3	6KMV-021000-C001	MUFFLER ASSY	消声器组合	1	
4	30006-080035810	BOLT M8x35	螺栓	2	
5	A000-020005	BUSHING	衬套	4	
6	A000-020004	DAMPER, MUFFLER	消声器缓冲套	2	
7	6KMV-021001-C000	GUARD, MUFFLER	消声器护罩	1	
8	A000-040702	INNER HEX SCREW M6x12	内六角螺钉M6×12	2	

车架总成/FRAME ASSY



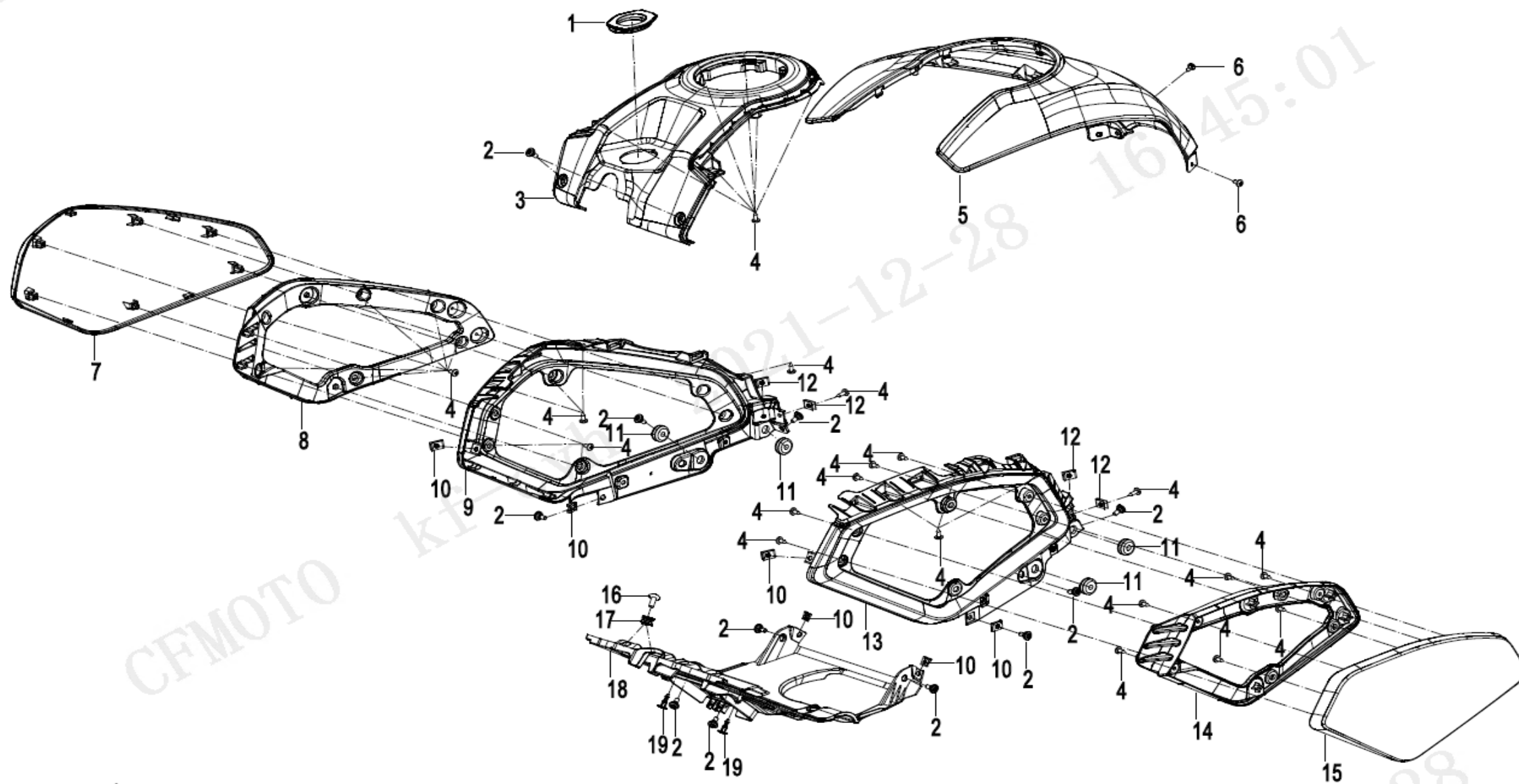
POSITION NO.	CODE	EN DESCRIPTION	CN DESCRIPTION	QTY / UNIT	REMARKS
1	6KMV-031000-C001-01-0BY00	FRAME	车架焊接组件	1	
2	30902-0400820	BLIND RIVET	抽芯铆钉	2	
3	6FIA-190012		车辆铭牌	1	
4	6GU#-021005-6000	GUARD RUBBER SLEEVE	护罩橡胶套	2	
5	6GU#-140097-6000	FRONT DECO CLASP, FRAME	车架前装饰扣	2	
6	6KMV-030030-2000	T-TYPE BUSHING ASSY	T型衬套组合	2	
7	6KMV-030003-2000	FRONT DAMPING RUBBER, ENGINE	发动机前缓冲橡胶	2	
8	6KMV-030010-2000	FRONT CONNECTING BRACKET, ENGINE	发动机前连接支架焊接组件	1	
9	30006-102080810	BOLT M10x1.25x80	螺栓	1	
10	30006-102140810	BOLT M10x1.25x140	螺栓	1	
11	6KMV-030002-2001	RH BRACKET, ENGINE	发动机右连接支架	1	
12	6KMV-030001-2001	LH BRACKET, ENGINE	发动机左连接支架	1	
13	30204-102810	NUT M10x1.25	螺母	1	
14	30006-102180810	BOLT M10x1.25x180	螺栓	1	
15	8080-040064	DAMPER, FRONT FENDER	前围缓冲橡胶套	4	
16	30204-080810	NUT M8	螺母	1	
17	30006-080090810	BOLT M8x90	螺栓	1	
18	30208-102010	NUT M10x1.25	螺母	1	
19	6KMV-030200-B000-0BP00	SIDE BRACKET ASSY	侧支架焊接组件	1	
20	A000-030004	SPRING COLLAR, SIDE STAND	边撑弹簧护套	1	
21	6KMV-030060-C000	SPRING KIT, SIDE STAND	边撑弹簧组合	1	
22	A000-030006	BOLT, SIDE STAND	侧支架螺栓	1	
23	30102-080020870	SCREW M8x20	螺钉M8×20	3	
24	A000-040302	RUBBER DAMPER	油箱外护罩缓冲橡胶	1	
25	30006-060012810	BOLT M6x12	螺栓	5	
26	6KMV-030300-C000-0BY00	BRACKET, REAR FENDER	后挡泥板支架焊接组件	1	
27	6KMV-030005-C000	WIRE CLIP, FRAME	车头管线勾	1	
28	5020-031001	RUBBER SLEEVE, FRONT LICENSE BRACKET	前牌照支架橡胶胶套	1	
29	6KMV-030050-C001	BRACKET, REGULATOR	整流器安装支架	1	
30	6KMV-030020-C000	REAR BRACKET, FUEL TANK	油箱后安装支架	1	
31	6WWV-046702-5000	INNER HEX SCREW M6x12	M6×12内六角螺钉	1	
32	6KMV-000202-C000	T-BUSHING KIT	T型衬套组合	1	
33	6KM0-030030-0B200	BRACKET, CANISTER	炭罐安装支架	1	

塑料件 I / PLASTICS I



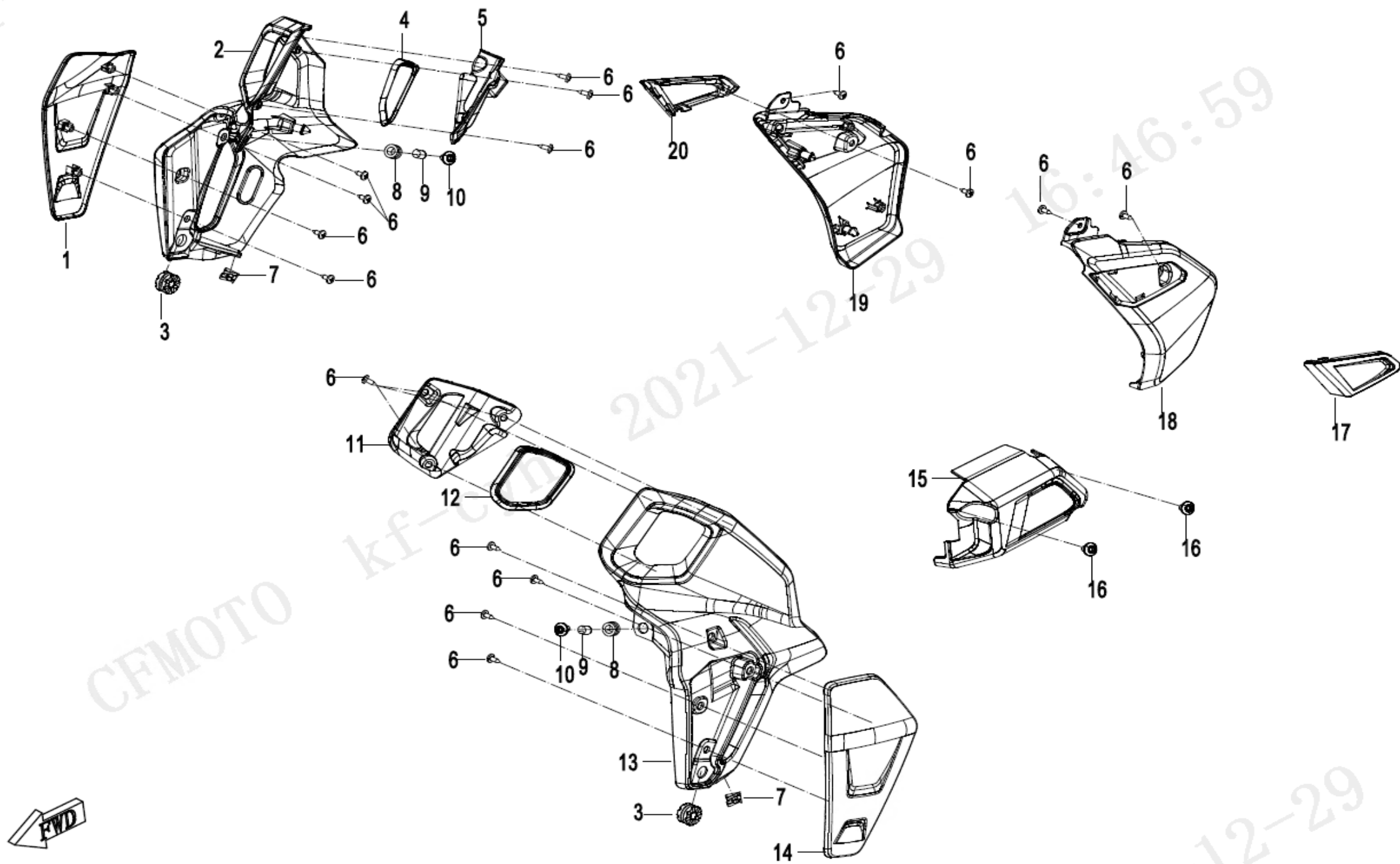
POSITION NO.	CODE	EN DESCRIPTION	CN DESCRIPTION	QTY / UNIT	REMARKS
1	6KMV-040201-C000-0BM00	UPPER DECO PLATE, HEADLIGHT	大灯上装饰板	1	
2	6KMV-040202-C000-0BU00	FRONT GUARD, HEADLIGHT	大灯前罩	1	
3	30110-420130070	SELF-TAPPING SCREW ST4.2x13-C-H	自攻螺钉	5	
4	8010-000002	CLAMP ST4.2	夹板ST4.2	2	
5	30110-421130010	SELF-TAPPING SCREW ST4.2x13	自攻螺钉	2	
6	6KMV-040203-C000	FRONT GUARD, HEADLIGHT	大灯后罩	1	
7	6WV-047002-5000	INNER HEX SCREW M6x25	M6×25内六角螺钉	2	
8	6GU#-000202-6000	T SHAPE BUSHING KIT	T型衬套组合	2	
9	5020-031001	RUBBER SLEEVE, FRONT LICENSE BRACKET	前牌照支架橡胶胶套	2	
10	6WV-046702-5000	INNER HEX SCREW M6x12	M6×12内六角螺钉	6	
11	6WV-046502-5000	STEPPED SCREW M5	M5组合台阶螺钉	7	
12	6KMV-050702-C000	LH DECO GUARD, FRONT SHOCK ABSORBER	前减左装饰罩	1	
13	6KMV-050703-C000	RH DECO GUARD, FRONT SHOCK ABSORBER	前减右装饰罩	1	
14	6KM#-040081-8000-M1	NUT CLIP M5	M5螺母夹	2	
15	6GUV-040005-6001-0VE00	FRONT FENDER	前泥板	1	
15	6GUV-040005-6001-0VP00	FRONT FENDER	前泥板	1	
15	6GUV-040005-6001-0BM00	FRONT FENDER	前泥板	1	
16	6GUV-190004-6000	DECAL, FENDER	挡泥板X标贴	1	
17	30110-420130070	SELF-TAPPING SCREW ST4.2x13-C-H	自攻螺钉	2	
18	6GU#-040057-6000	COVER, FRONT FENDER	前挡泥板小盖	1	

塑料件 II / PLASTICS II



POSITION NO.	CODE	EN DESCRIPTION	CN DESCRIPTION	QTY / UNIT	REMARKS
1	6KMV-040410-C000	DECO RING, POWER LOCK	电源锁装饰圈	1	
2	6WWV-046502-5000	STEPPED SCREW M5	M5组合台阶螺钉	12	
3	6KMV-040401-C000	GUARD, FUEL TANK FILLER	油箱口护罩	1	
4	30110-421130010	SELF-TAPPING SCREW ST4.2x13	自攻螺钉	35	
5	6KMV-040402-C000-0VE00	UPPER PANEL, FUEL TANK	油箱上护板	1	
5	6KMV-040402-C000-0BM00	UPPER PANEL, FUEL TANK	油箱上护板	1	
6	30110-480130010	SELF-TAPPING SCREW ST4.8x13	自攻螺钉	2	
7	6KMV-040405-C000-0VE00	RH OUTER PANEL, FUEL TANK	油箱右外护板	1	
7	6KMV-040405-C000-0BM00	RH OUTER PANEL, FUEL TANK	油箱右外护板	1	
8	6KMV-040407-C000	RH VENTILATION PLATE, FUEL TANK	油箱右通风板	1	
9	6KMV-040403-C000-0VR00	RH INNER PANEL, FUEL TANK	油箱右内护板	1	
9	6KMV-040403-C000-0G700	RH INNER PANEL, FUEL TANK	油箱右内护板	1	
10	6KM#-040081-8000-M1	NUT CLIP M5	M5螺母夹	6	
11	6KM#-040302-8000	DAMPING RUBBER SLEEVE	缓冲胶套	4	
12	8010-000002	CLAMP ST4.2	夹板ST4.2	4	
13	6KMV-040404-C000-0VR00	LH INNER PANEL, FUEL TANK	油箱左内护板	1	
13	6KMV-040404-C000-0G700	LH INNER PANEL, FUEL TANK	油箱左内护板	1	
14	6KMV-040408-C000	LH VENTILATION PLATE, FUEL TANK	油箱左通风板	1	
15	6KMV-040406-C000-0VE00	LH OUTER PANEL, FUEL TANK	油箱左外护板	1	
15	6KMV-040406-C000-0BM00	LH OUTER PANEL, FUEL TANK	油箱左外护板	1	
16	6WWV-046702-5000	INNER HEX SCREW M6x12	M6×12内六角螺钉	2	
17	A000-040302	RUBBER DAMPER	油箱外护罩缓冲橡胶	2	
18	6KMV-040409-C000	LOWER PANEL, FUEL TANK	油箱下护板	1	
19	8080-041130	PLASTIC SCREW	塑料膨胀螺钉组合	2	

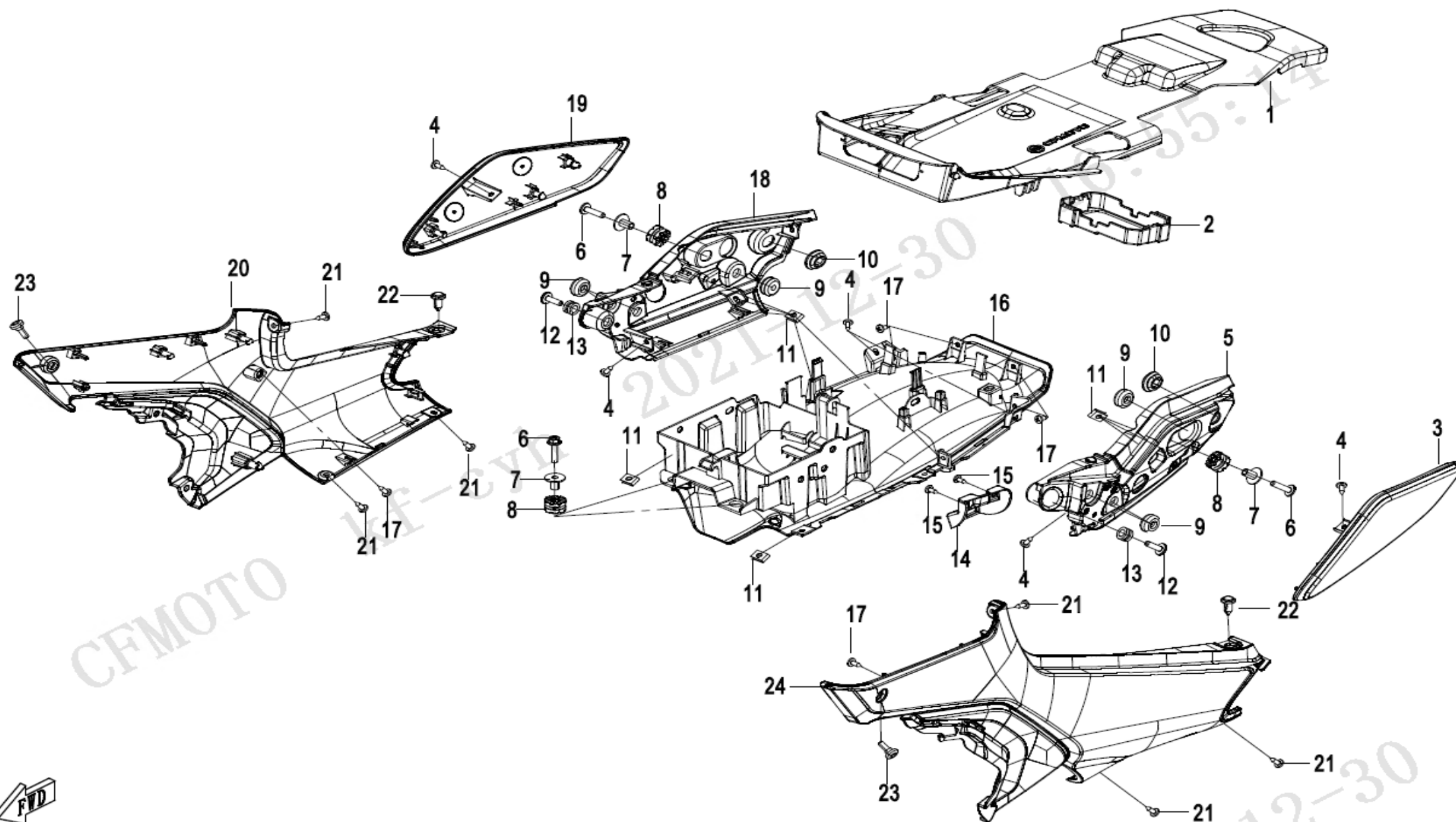
塑料件III/PLASTICS III



POSITION NO.	CODE	EN DESCRIPTION	CN DESCRIPTION	QTY / UNIT	REMARKS
1	6KMV-040503-C000-0VR00	RH OUTER PANEL, RESERVOIR TANK	水箱右外护板	1	
2	6KMV-040501-C000	RH INNER PANEL, RESERVOIR TANK	水箱右内护板	1	
3	5020-031001	RUBBER SLEEVE, FRONT LICENSE BRACKET	前牌照支架橡胶胶套	2	
4	6KMV-040505-C000	RH DECO NET, RESERVOIR TANK	水箱右装饰网	1	
5	6KMV-040507-C000	VISOR, RESERVOIR TANK RH DECO NET	水箱右装饰网遮光板	1	
6	30110-421130010	SELF-TAPPING SCREW ST4.2x13	自攻螺钉	18	
7	8030-040800-00001	NUT CLIP M6	M6螺母夹	2	
8	6KM#-040302-8000	DAMPING RUBBER SLEEVE	缓冲胶套	2	
9	6090-040303	BUSHING	衬套	2	
10	6WWV-046702-5000	INNER HEX SCREW M6x12	M6×12内六角螺钉	2	
11	6KMV-040508-C000	VISOR, RESERVOIR TANK LH DECO NET	水箱左装饰网遮光板	1	
12	6KMV-040506-C000	LH DECO NET, RESERVOIR TANK	水箱左装饰网	1	
13	6KMV-040502-C000	LH INNER PANEL, RESERVOIR TANK	水箱左内护板	1	
14	6KMV-040504-C000-0VR00	LH OUTER PANEL, RESERVOIR TANK	水箱左外护板	1	
15	6KMV-041101-C000	DECO COVER, CANISTER	碳罐装饰盖	1	
16	6WWV-046602-5000	INNER HEX STEPPED SCREW M6x14	M6×14内六角台阶螺钉	2	
17	6KMV-040608-C000	PRESS PLATE, LH DECO PLATE	左装饰板盖板	1	
17	6KMV-040606-C000-0BM00	PRESS PLATE, LH DECO PLATE	左装饰板盖板	1	
18	6KMV-040602-C000-0BU00	LH DECO PLATE	左装饰板	1	
19	6KMV-040601-C000-0BU00	RH DECO PLATE	右装饰板	1	
20	6KMV-040607-C000	PRESS PLATE, RH DECO PLATE	右装饰板盖板	1	
20	6KMV-040605-C000-0BM00	PRESS PLATE, LH DECO PLATE	右装饰板盖板	1	

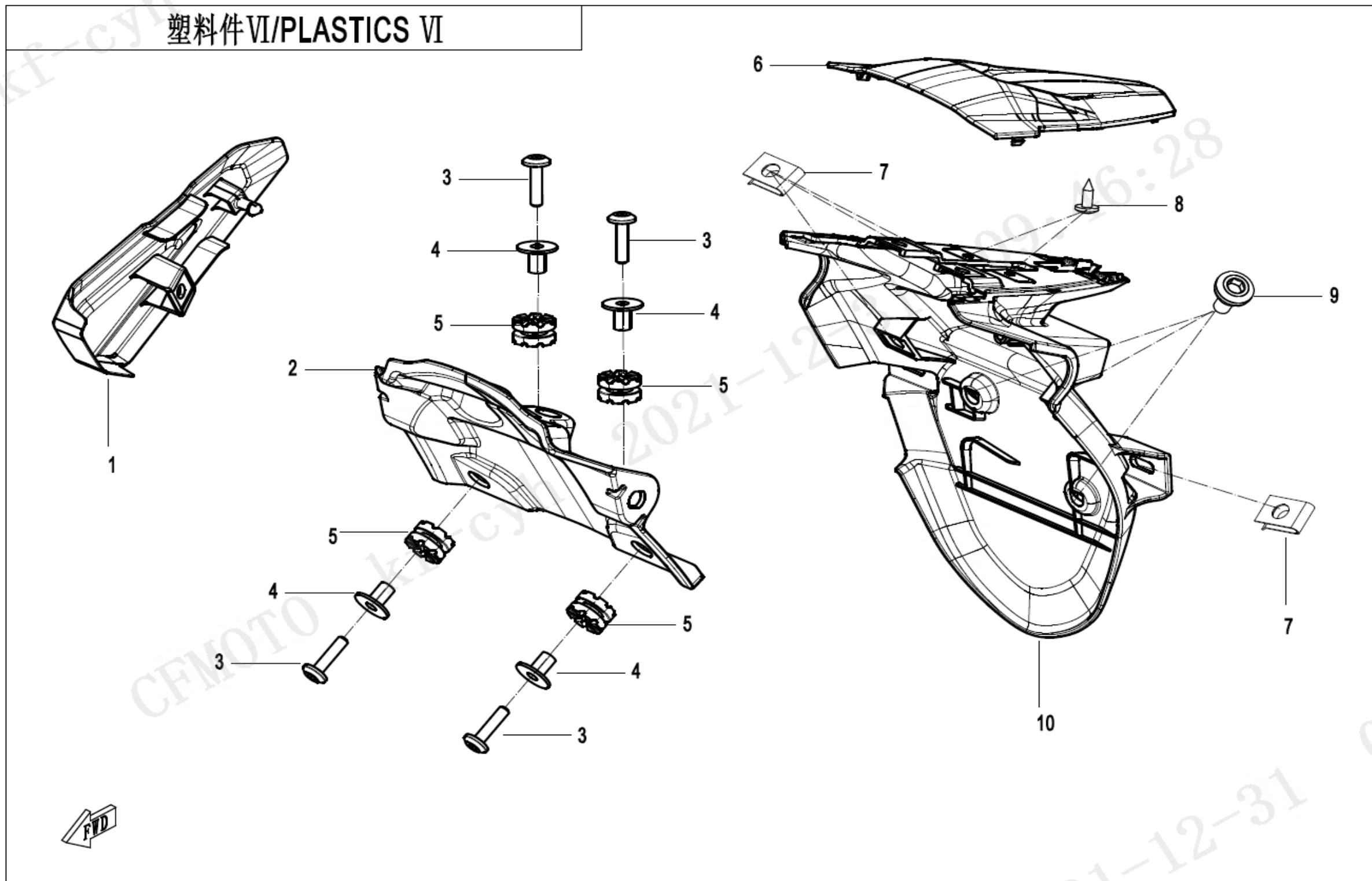
F04-4 塑料件IV PLASTICS IV

塑料件IV/PLASTICS IV



POSITION NO.	CODE	EN DESCRIPTION	CN DESCRIPTION	QTY / UNIT	REMARKS
1	6KMV-041105-C001	LOWER DECON GUARD, SEAT	坐垫下装饰罩	1	
2	6KMV-041104-C000	GUARD, FUSE BOX	保险丝盒保护罩	1	
3	6KMV-040704-C000-0VR00	LH DECO GUARD, TAIL LIGHT	尾灯左装饰罩	1	
4	30110-480130010	SELF-TAPPING SCREW ST4.8x13	自攻螺钉	6	
5	6KMV-040702-C000	LH PANEL, TAIL LIGHT	尾灯左护板	1	
6	6WWV-047002-5000	INNER HEX SCREW M6x25	M6×25内六角螺钉	4	
7	6KMV-000202-C000	T-BUSHING KIT	T型衬套组合	4	
8	5020-031001	RUBBER SLEEVE, FRONT LICENSE BRACKET	前牌照支架橡胶胶套	4	
9	A000-040302	RUBBER DAMPER	油箱外护罩缓冲橡胶	6	
10	8080-040064	DAMPER, FRONT FENDER	前围缓冲橡胶套	2	
11	8010-000002	CLAMP ST4.2	夹板ST4.2	10	
12	6WWV-046702-5000	INNER HEX SCREW M6x12	M6×12内六角螺钉	2	
13	6KM#-040302-8000	DAMPING RUBBER SLEEVE	缓冲胶套	2	
14	6KMV-040706-C000	LOCK SEAT, SEAT LOCK	坐垫锁固定座	1	
15	30110-421130010	SELF-TAPPING SCREW ST4.2x13	自攻螺钉	2	
16	6KMV-040705-C000	REAR SKID PLATE	后底板	1	
17	30110-420130070	SELF-TAPPING SCREW ST4.2x13-C-H	自攻螺钉	6	
18	6KMV-040701-C000	RH PANEL, TAIL LIGHT	尾灯右护板	1	
19	6KMV-040703-C000-0VR00	RH DECO GUARD, TAIL LIGHT	尾灯右装饰罩	1	
20	6KMV-040603-C000	RH PANEL	右护板	1	
21	30110-480160070	SELF-TAPPING SCREW	自攻螺钉	6	
22	9060-040310	PLASTIC CLIPS	塑料卡组合	2	
23	6WWV-046502-5000	STEPPED SCREW M5	M5组合台阶螺钉	2	
24	6KMV-040604-C000	LH PANEL	左护板	1	

塑料件VI/PLASTICS VI



POSITION NO.

CODE

EN DESCRIPTION

CN DESCRIPTION

QTY / UNIT

REMARKS

1	6KMV-041103-C000	DECO PLATE, REAR FENDER BRACKET
2	6KMV-040804-C000	LINER PLATE, REAR LICENSE LIGHT

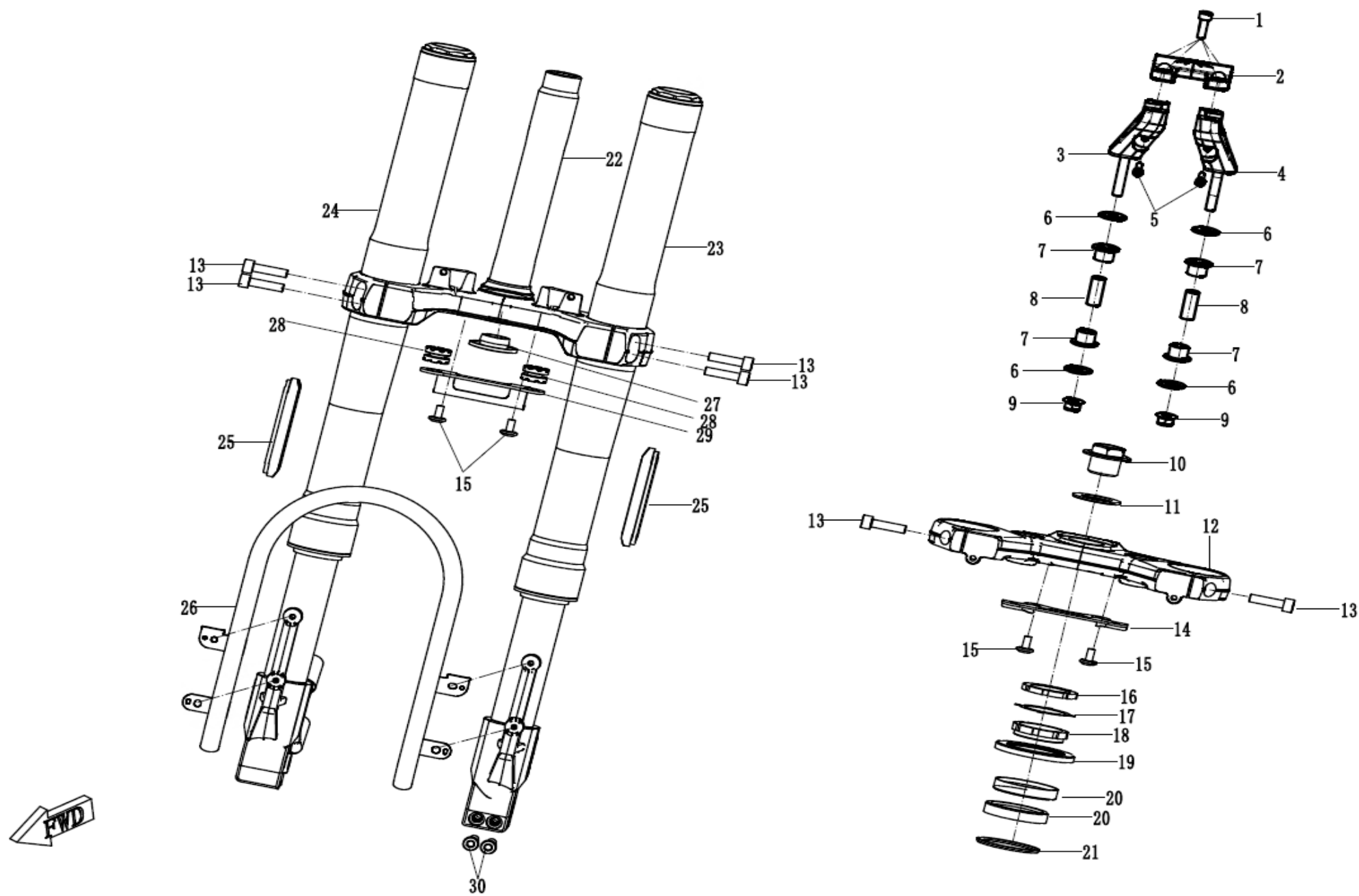
后挡泥支架装饰板
后牌照内衬板

1
1

3	6WVV-047002-5000	INNER HEX SCREW M6x25	M6×25内六角螺钉	4
4	6GU#-000202-6000	T SHAPE BUSHING KIT	T型衬套组合	4
5	5020-031001	RUBBER SLEEVE, FRONT LICENSE BRACKET	前牌照支架橡胶胶套	4
6	6KMV-040803-C000	BRACKET, REAR LICENSE LIGHT	后牌照安装板	1
7	8030-040800-00001	NUT CLIP M6	M6螺母夹	4
8	30110-420095010	SELF-TAPPING SCREW ST4.2x9.5	自攻螺钉	2
9	6WVV-046602-5000	INNER HEX STEPPED SCREW M6x14	M6×14内六角台阶螺钉	3
10	6KMV-040805-C000	SUPPORTER, REAR LICENSE LIGHT	后牌照支撑板	1

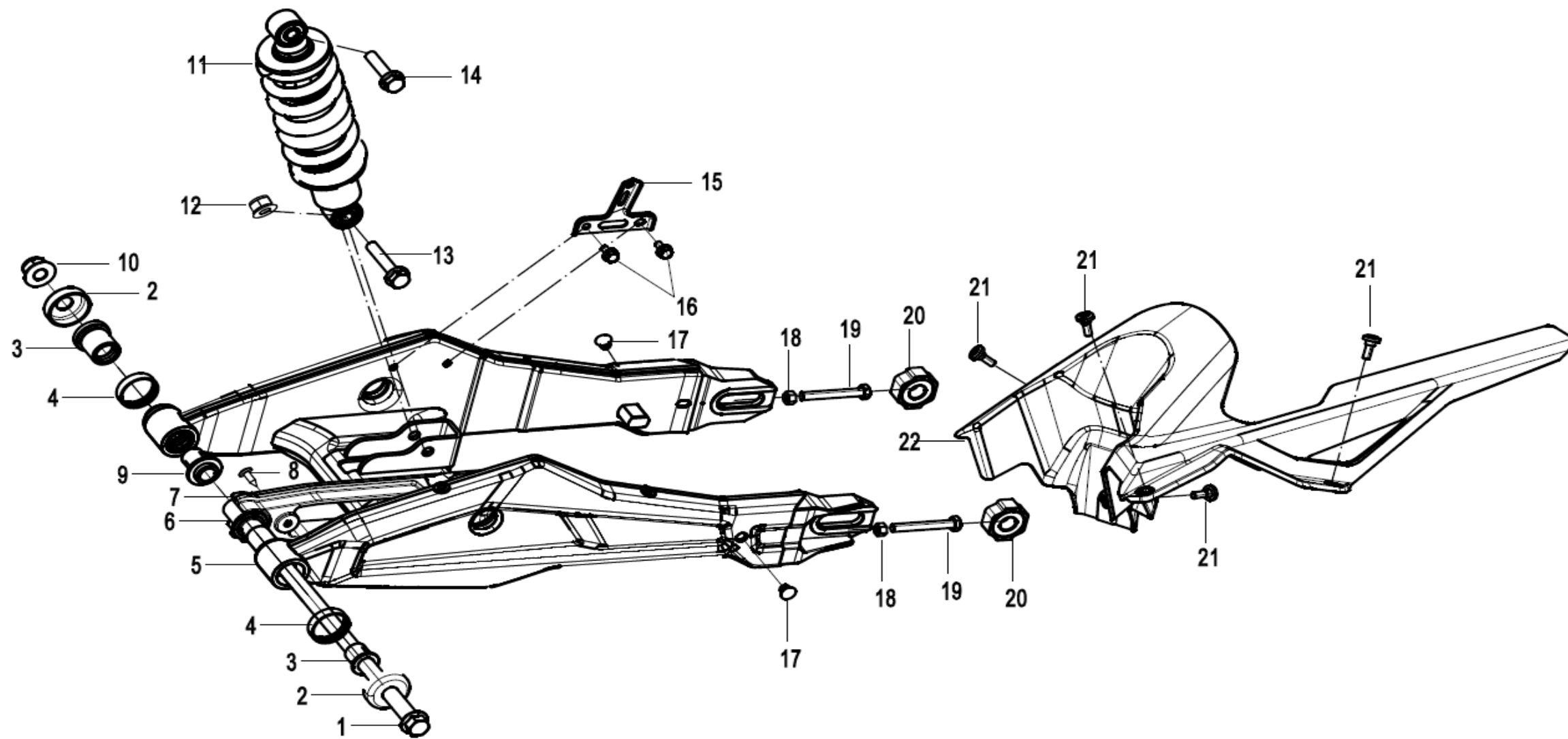
F05 前悬挂 FRONT SUSPENSION

前悬挂总成/Front Suspension Assy



POSITION NO.	CODE	EN DESCRIPTION	CN DESCRIPTION	QTY / UNIT	REMARKS
1	30102-080025870	INNER HEX SCREW M8×25	螺钉	4	
2	6GU#-050001-6000	PRESS COVER, HANDLEBAR	方向把压盖	1	
3	6KMV-100050-C001	RH SUPPORTER, HANDLEBAR	方向把右支撑座组合	1	
4	6KMV-100040-C001	LH SUPPORTER, HANDLEBAR	方向把左支撑座组合	1	
5	30102-060016870	SCREW M6x16	螺钉	2	
6	6KJ0-050005	WASHER	垫圈	4	
7	6KJ0-050004	DAMPER RUBBER, UPPER TRIPLE CLAMP	上连板缓冲橡胶	4	
8	6KJ0-050006-00001	LINER, UPPER TRIPLE CLAMP	上连板衬管	2	
9	30204-102810	NUT M10x1.25	螺母	2	
10	6NTA-050003	LOCK SCREW, UPPER TRIPLE CLAMP	上连板紧固螺钉	1	
11	A000-050004	WASHER	垫圈	1	
12	6KMV-050001-C000	UPPER TRIPLE CLAMP	上连板	1	
13	30102-080030810	SCREW M8x30	螺钉	6	
14	6KMV-050110-C000	UPPER BRACKET, HEADLIGHT	前大灯上安装支架	1	
15	6WWV-046702-5000	INNER HEX SCREW M6x12	M6×12内六角螺钉	4	
16	A000-050007	LOCK NUT 2	锁紧螺母II	1	
17	A000-050008	WASHER	垫圈	1	
18	A000-050006	LOCK NUT 1	锁紧螺母I	1	
19	A000-050009	DUST CAP, UPPER RETAINER	上挡圈防尘盖	1	
20	A000-050100-10000	STEERING BEARING ASSY	转向轴承组合	2	
21	A000-050400	ANTI-DUST CAP, LOWER RETAINING RING	下挡圈防尘盖组件	1	
22	6KJ0-050300-0BP00	FORNT FORK AND LOWER TRIPLE CLAMP ASSY	前叉管下联板组合_莫德灵黑	1	
23	6KMV-050100-C000-M1	FRONT LH SHOCK ABSORBER	前左减震器	1	
24	6KMV-050200-C000-M1	FRONT RH SHOCK ABSORBER	前右减震器	1	
25	6KJV-160920-8001-M1	FRONT SIDE REFLECTOR	前侧反射器	2	
26	6KMV-050020-C000-0BY00	BRACKET, FRONT FENDER	前挡泥板支架焊接组合	1	
27	A000-050011	RUBBER PLUG 2	橡胶塞II	1	
28	5020-031001	RUBBER SLEEVE, FRONT LICENSE BRACKET	前牌照支架橡胶胶套	2	
29	6KMV-050310-C000	LOWER BRACKET, HEADLIGHT	前大灯下安装支架	1	
30	30102-080040870	SCREW M8x40	螺钉	2	

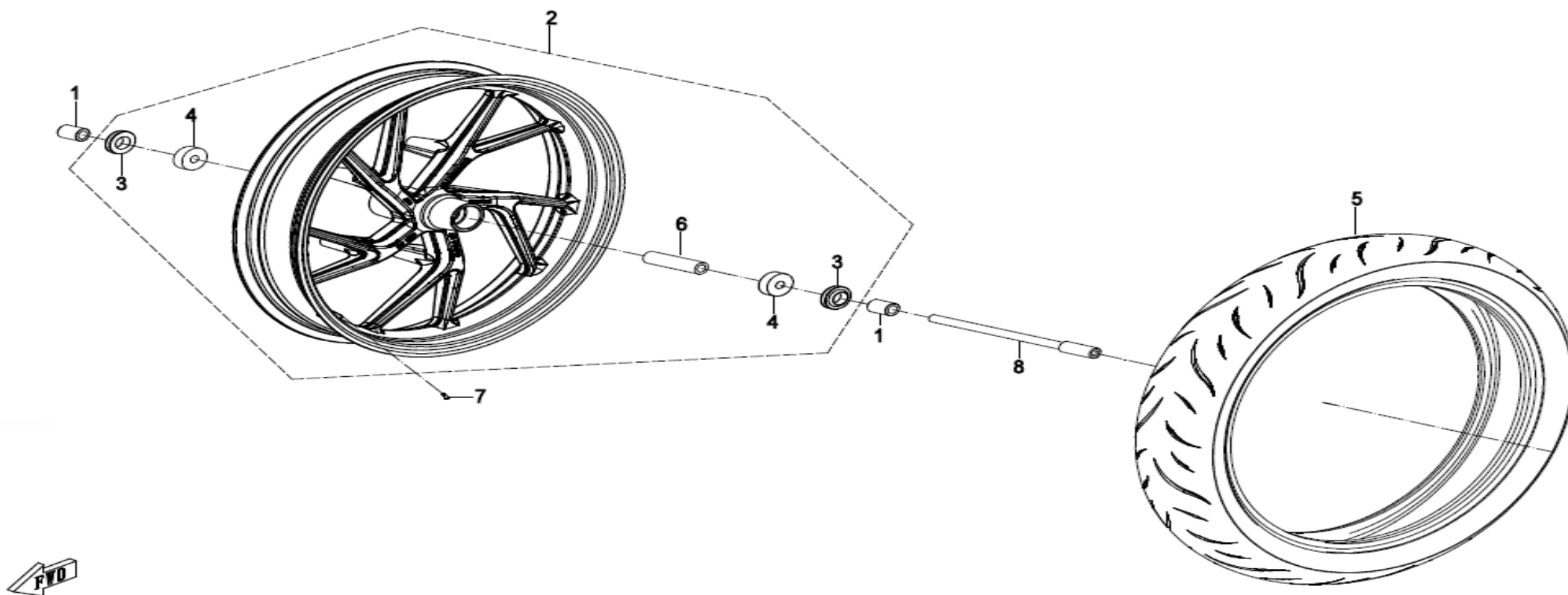
后悬挂总成/REAR SUSPENSION ASSY



POSITION NO.	CODE	EN DESCRIPTION	CN DESCRIPTION	QTY / UNIT	REMARKS
1	6KMV-060001-C000	REAR FORK SHAFT	后平叉轴	1	
2	6KMV-060010-C000-0BY00	DUST CAP, REAR SWING ARM	后摇架防尘盖	2	
3	6100-060008	OUTER BUSH, REAR SWING ARM	后摇架外衬套	2	
4	6090-060005	ANTI-DUST RING	防尘圈	2	
5	6KMV-060300-C001-0BY00	REAR FORK	后平叉焊接组件	1	
6	6KMV-060003-C000	LH INNER BUSHING, REAR FORK	后平叉左内衬套	1	
7	6KM0-060201	CHAIN GUIDE	链条护卡	1	
8	8030-040020-1000	SCREW M6x17.5	音箱盖螺钉M6×17.5	1	
9	6KMV-060004-C000	RH INNER BUSHING, REAR FORK	后平叉右内衬套	1	
10	30204-143810	NUT M14x1.5	螺母	1	
11	6KMV-060100-C001-M1	REAR SHOCK ABSORBER	后减震器	1	
12	30204-102810	NUT M10x1.25	螺母	1	
13	30006-102050810	BOLT M10x1.25x50	螺栓	1	
14	30006-102045810	BOLT M10x1.25x45	螺栓	1	
15	6KM0-060410-0B200	BRACKET, FENDER	挡泥板安装支架组合	1	
16	30006-060012810	BOLT M6x12	螺栓	2	
17	6KM#-100002-8000	RUBBER PLUG, CLUTCH LEVER	离合手柄胶塞	2	
18	30200-080810	NUT M8	螺母	2	
19	30004-080060810	BOLT M8x60	螺栓	2	
20	6KMV-060002-C000-0BY00	ADJUSTING BLOCK	调节块	2	
21	6WVV-046602-5000	INNER HEX STEPPED SCREW M6x14	M6×14内六角台阶螺钉	4	
22	6KMV-040801-C000	SPROCKET GUARD	链轮罩	1	

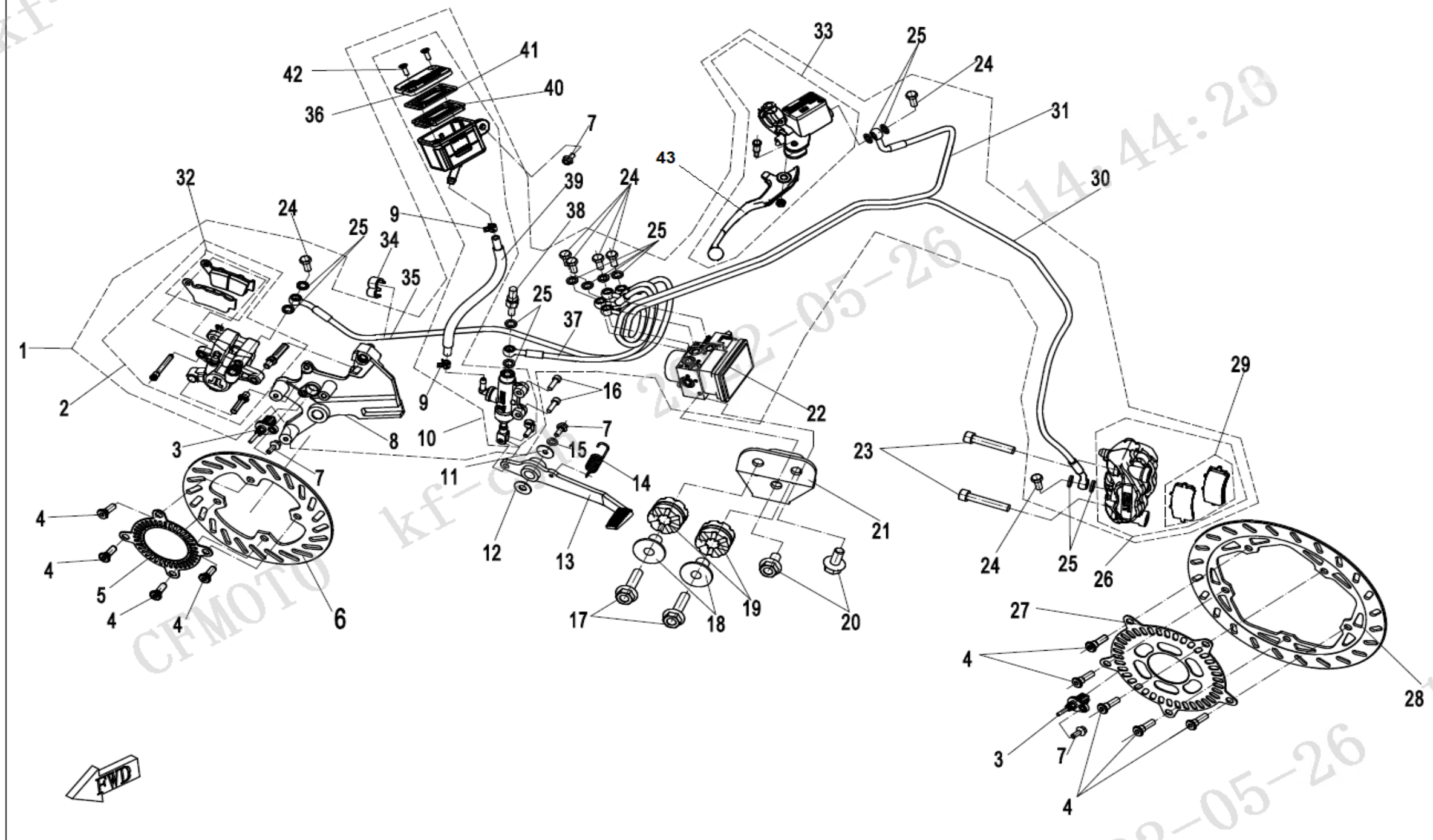
F07 前轮 FRONT WHEEL

前轮/ FRONT WHEEL



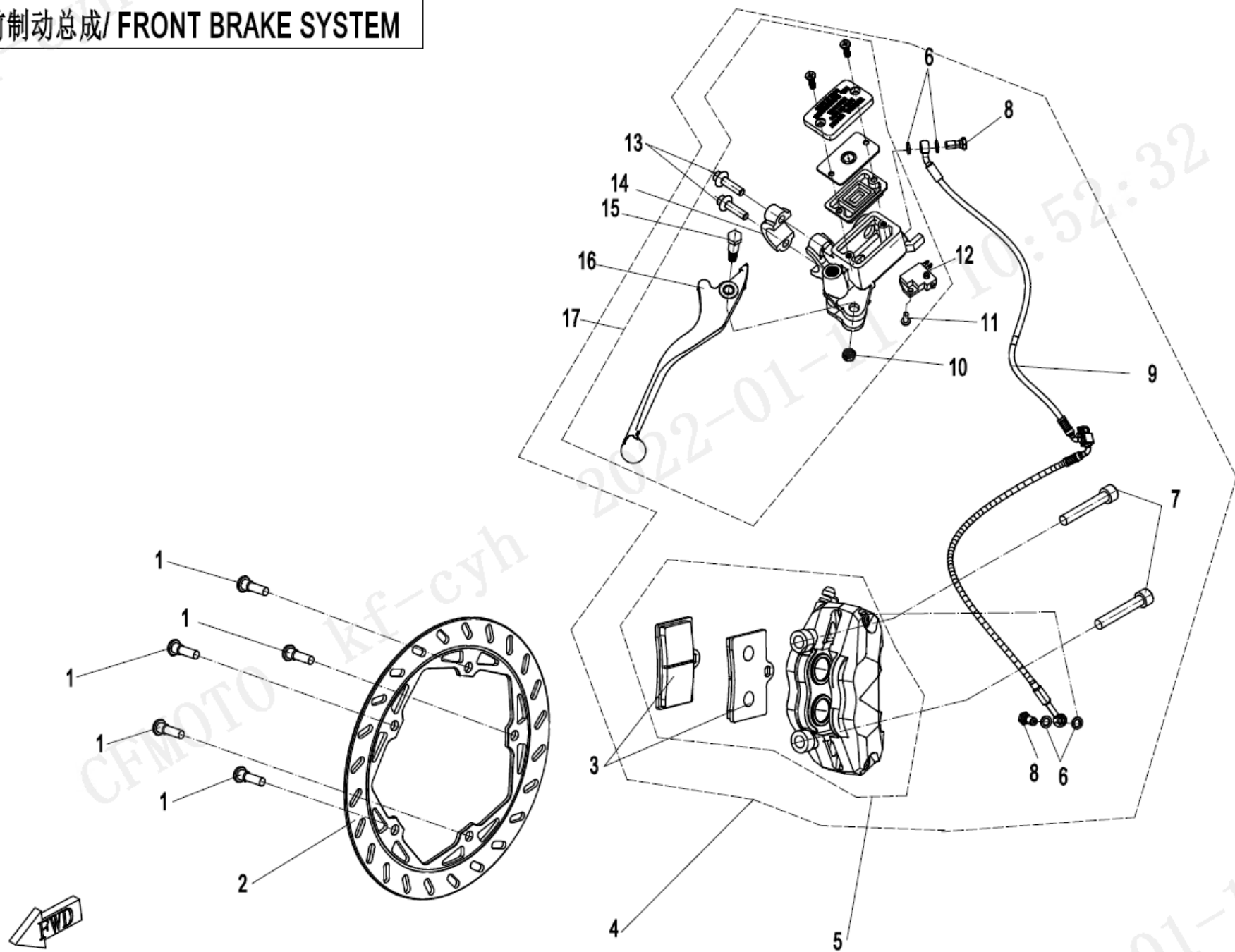
POSITION NO.	CODE	EN DESCRIPTION	CN DESCRIPTION	QTY / UNIT	REMARKS
1	6KJ0-070002	COLLAR, FRONT WHEEL AXLE	前轮轴套	2	
2	6KMV-070100-B000-10	FRONT RIM ASSY	前轮辋组合	1	
3	6KJ0-070024	OIL SEAL	油封	2	
4	30400-01281	BEARING	滚动轴承	2	
5	30705-1747	GB/T2983_DOT 17F M1F 002_E-mark_E4-75R-00	轮胎	1	
6	6KM#-070103-6001	MIDDLE SPACER, FRONT RIM	前轮辋中隔套	1	
7	5190-070030-1000	VALVE, INFLATION	气门嘴	1	
8	6KJ0-070001-10000	AXLE, FRONT WHEEL	前轮轴	1	

液压制动总成 / HYDRAULIC BRAKE ASSY



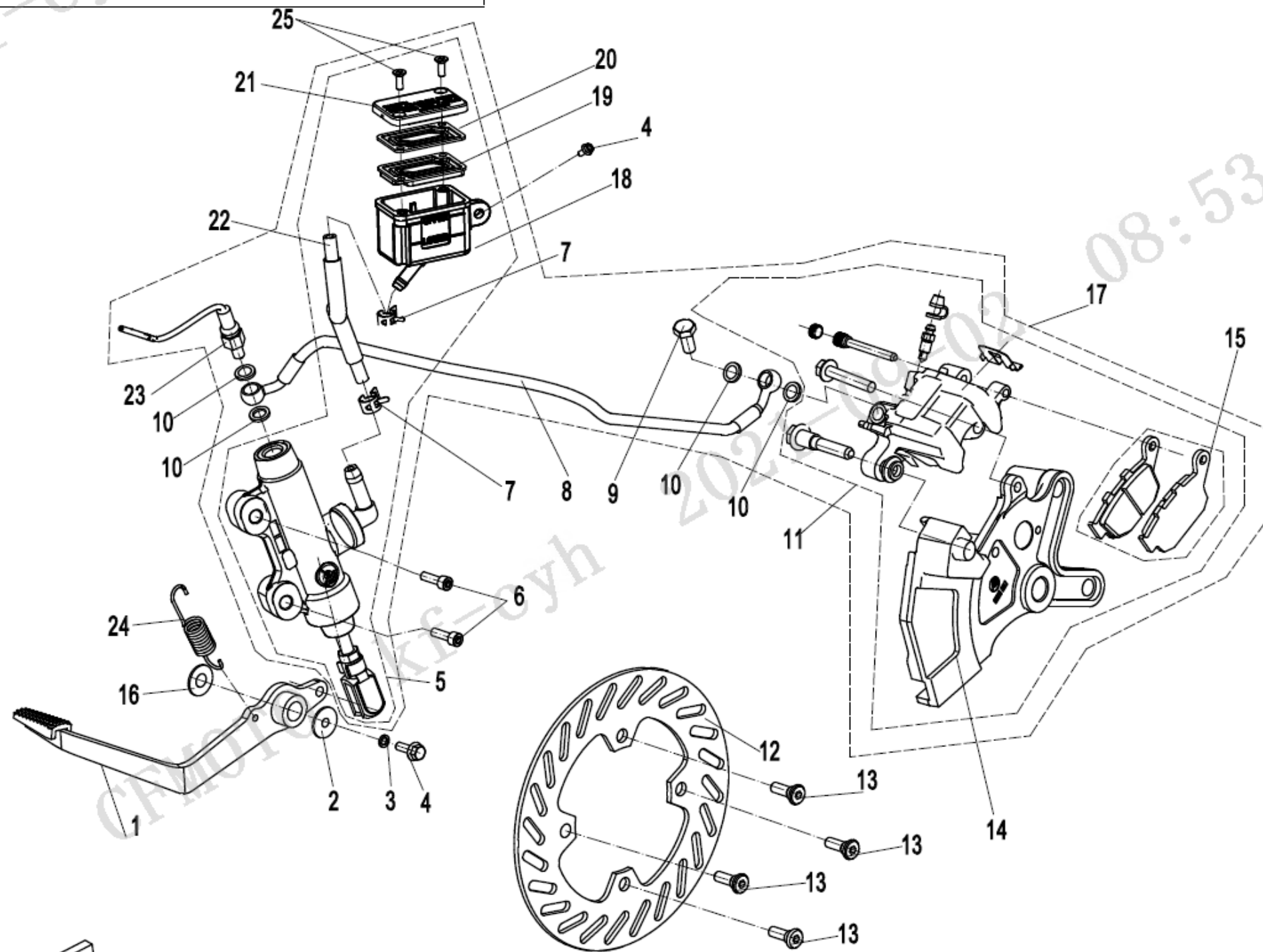
POSITION NO.	CODE	EN DESCRIPTION	CN DESCRIPTION	QTY / UNIT	REMARKS
1	6KMV-082000-C001-M1	MAB HYDRAULIC BRAKE ASSY	MAB液压制动器总成	1	
2	6KMV-091100-C000-M1	REAR BRAKE CALIPER	后制动钳体组合	1	
3	6KMV-080004-8500-M1	SPEED SENSOR	轮速传感器	2	
4	6KJ0-080005	BOLT,FRONT BRAKE DISC	前制动盘螺栓	9	
5	6NTG-080009	REAR GEAR RING	后齿圈	1	
6	6KJ0-080002-10000	REAR BRAKE DISC	后制动盘	1	
7	30006-060016810	BOLT M6x16	螺栓	3	
8	6KMV-091100-C000-20	MOUNTING PLATE	安装板	1	
9	A000-080213-2000	CLIP	油管夹	2	
10	6KMV-081400-C000-M1	REAR BRAKE MASTER CYLIDNER	后刹主泵	1	
11	A000-080006-10000	WASHER 1	垫片I7×24×1.6_性能等级100HV	1	
12	A000-080007-10000	WASHER 2	垫片II	1	
13	6KMV-082001-C000	REAR BRAKE PEDAL	后制动踏板	1	
14	6KMV-080005-C000	RETURN SPRING	回位弹簧	1	
15	30303-060112	WASHER	垫圈	1	
16	30102-060022810	SCREW M6x22	螺钉	2	
17	30006-060025810	BOLT M6x25	螺栓	2	
18	5020-031002	RUBBER SLEEVE LINER, FRONT LICENSE BRACKET	前牌照支架橡胶套衬套	2	
19	5020-031001	RUBBER SLEEVE, FRONT LICENSE BRACKET	前牌照支架橡胶胶套	2	
20	30006-060012810	BOLT M6x12	螺栓	2	
21	6KMV-030070-2000	BRACKET, ABS	ABS安装支架	1	
22	6KMV-081500-C000-M2	MAB EXECUTION UNIT	MAB执行单元	1	
23	30102-102060810	SCREW M10x1.25x60	螺钉	2	
24	6KM#-080103-8101	BOLT, FUEL PIPE	油管螺栓	7	
25	6KM#-081000-8100-20	REATAINER	垫圈	16	
26	6KM#-081200-8100	FRONT BRAKE CALIPER ASSY	前制动钳体组合	1	
27	6KJ0-080004	INDUCTION PLATE, COUNTER	计数器感应盘	1	
28	6KJ0-080001-20000	FRONT BRAKE DISC	前制动盘	1	
29	6KM#-0812A0-8100	FRONT BRAKE PAD ASSY	前制动片组合	1	
30	6KM#-081020-6001	FLUID OUTLET PIPE, FRONT CALIPER	前钳体出油管	1	
31	6KM#-081010-6001	FLUID INLET PIPE, FRONT CALIPER	前钳体进油管	1	
32	6KM#-0911A0-8100	REAR BRAKE PAD ASSY	后制动片组合	1	
33	6KMV-081100-B000-M1	HAND BRAKE MASTER CYLINDER	手刹主泵	1	
34	6KM#-080002-8000	RUBBER OIL HOSE CLIP	橡胶油管线夹	3	
35	6KM#-081040-6002	OIL OUTLET HOSE, REAR BRAKE CALIPER	后钳体出油管	1	
36	6KM0-091201-20000	CAP, FLUID RESERVOIR	油杯盖	1	
37	6KM#-081030-6001	FLUID OUTLET PIPE, REAR CALIPER	后制动钳体油管	1	
38	6KMV-081700-C000-M1	HYDRAULIC SENSOR SWITCH	液压感应开关	1	
39	6KM0-091220-30000	BRAKE FLUID RESERVOIR HOSE	油杯管	1	
40	6KM0-091203-20000	SEALING GASKET, FLUID RESERVOIR	油杯密封垫	1	
41	6KM0-091202-20000	SEALING LINER, FLUID RESERVOIR	油杯密封衬板	1	
42	A000-080229-2000	SCREW, FLUID RESERVOIR CAP	油杯盖螺钉	2	
43	6KMV-081100-B000-20	BRAKE LEVER	制动手柄	1	

前制动总成/ FRONT BRAKE SYSTEM



POSITION NO.	CODE	EN DESCRIPTION	CN DESCRIPTION	QTY / UNIT	REMARKS
1	6KJ0-080005		前制动盘螺栓	5	
2	6KJ0-080001-20000	FRONT BRAKE DISC	前制动盘	1	
3	6KM#-0812A0-8100	FRONT BRAKE PAD ASSY	前制动片组合	1	
4	6KMV-081000-C300-M1	FRONT HYDRAULIC BRAKE ASSY	前液压制动器总成	1	
5	6KM#-081200-8100	FRONT BRAKE CALIPER ASSY	前制动钳体组合	1	
6	6KM#-081000-8100-20	REATAINER	垫圈	4	
7	30102-102060810	SCREW M10x1.25x60	螺钉	2	
8	6KM#-080103-8101	BOLT, FUEL PIPE	油管螺栓	2	
9	6KMV-081010-C100-M1	HAND BRAKE FLUID HOSE	前手刹制动油管	1	
10	30204-060870	NUT M6	螺母M6	1	
11	30116-040010470	SCREW KIT	螺钉组合件	1	
12	6KM0-081102-20000	BRAKE SWITCH	制动开关	1	
13	6KM#-081100-8100-25	SCREW M6x22	GB/T70.1 M6×22螺钉	2	
14	6KM#-081100-8100-24	COVER	半盖	1	
15	6KM0-081116-20000	BOLT, HAND LEVER	手柄螺栓	1	
16	6KMV-081100-B000-20	BRAKE LEVER	制动手柄	1	
17	6KMV-081100-B000-M1	HAND BRAKE MASTER CYLINDER	手刹主泵	1	

后制动总成/ REAR BRAKE SYSTEM



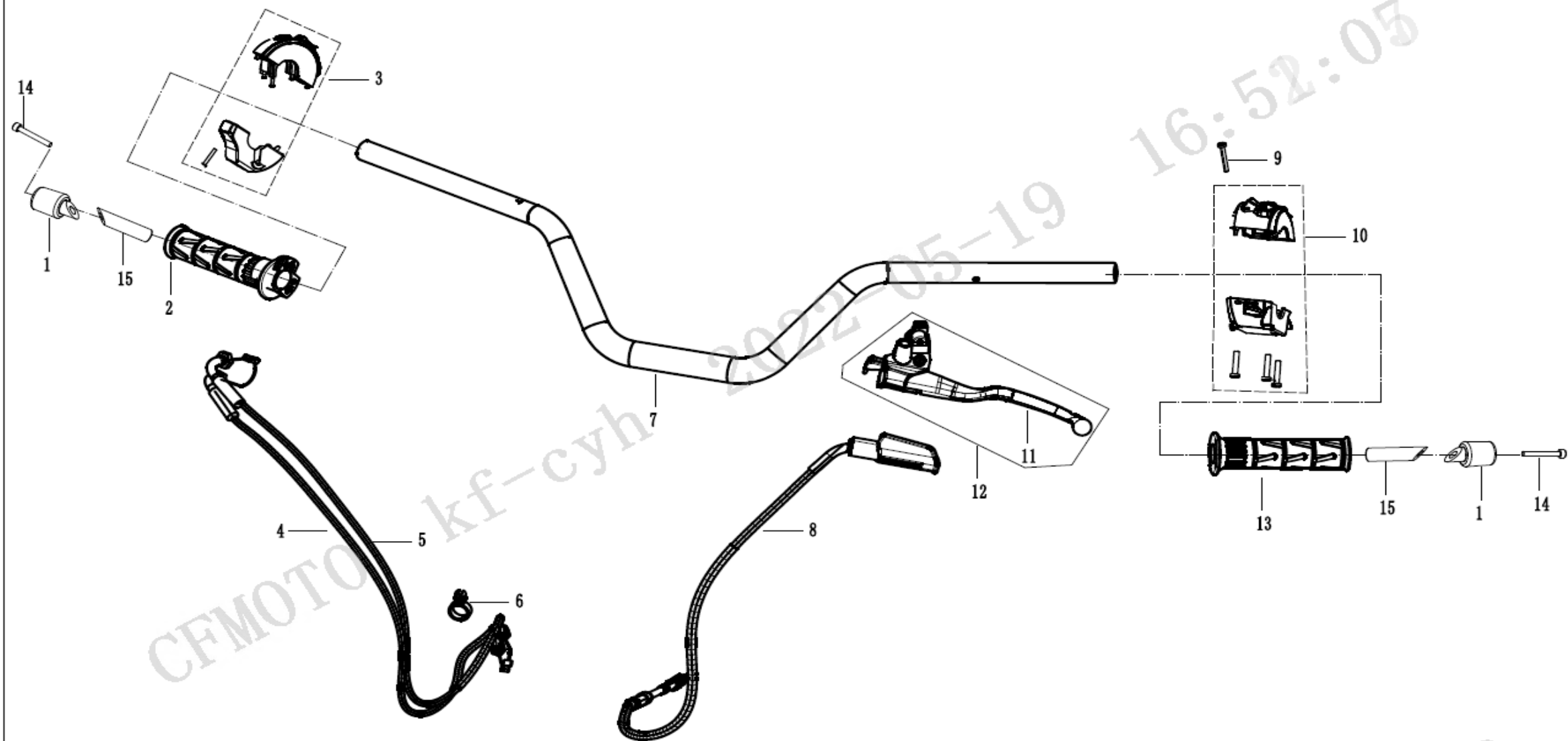
08:53:28

2023-09-02

POSITION NO.	CODE	EN DESCRIPTION	CN DESCRIPTION	QTY / UNIT	REMARKS
1	6KMV-082001-C000	REAR BRAKE PEDAL	后制动踏板	1	
2	A000-080006-10000	WASHER 1	垫片I7×24×1.6_性能等级100HV	1	
3	30303-060112	WASHER	垫圈	1	
4	30006-060016810	BOLT M6x16	螺栓	2	
5	6KMV-081400-C000-M1	REAR BRAKE MASTER CYLIDNER	后刹主泵	1	
6	30102-060022810	SCREW M6x22	螺钉	2	
7	A000-080213-2000	CLIP	油管夹	2	
8	6KM#-081040-8000	REAR BRAKE FLUID HOSE	后制动油管	1	
9	6KM#-080103-8101	BOLT, FUEL PIPE	油管螺栓	1	
10	6KM#-081000-8100-20	REATAINER	垫圈	4	
11	6KMV-091100-C000-M1	REAR BRAKE CALIPER	后制动钳体组合	1	
12	6KJ0-080002-10000	REAR BRAKE DISC	后制动盘	1	
13	6KJ0-080005	BOLT,FRONT BRAKE DISC	前制动盘螺栓	4	
14	6KM0-091105-30000	BRACKET	安装版	1	
15	6KM#-0911A0-8100	REAR BRAKE PAD ASSY	后制动片组合	1	
16	A000-080007-10000	WASHER 2	垫片II	1	
17	6KMV-091000-C300-M1	REAR HYDRAULIC BRAKE ASSY	后液压制动器总成	1	
19	6KM0-091202-20000	SEALING LINER, FLUID RESERVOIR	油杯密封衬板	1	
20	6KM0-091203-20000	SEALING GASKET, FLUID RESERVOIR	油杯密封垫	1	
21	6KM0-091201-20000	CAP, FLUID RESERVOIR	油杯盖	1	
22	6KM0-091220-30000	BRAKE FLUID RESERVOIR HOSE	油杯管	1	
23	6KMV-081700-C000-M1	HYDRAULIC SENSOR SWITCH	液压感应开关	1	
24	6KMV-080005-C000	RETURN SPRING	回位弹簧	1	
25	A000-080229-2000	SCREW, FLUID RESERVOIR CAP	油杯盖螺钉	2	

F10 转向系统 STEERING SYSTEM

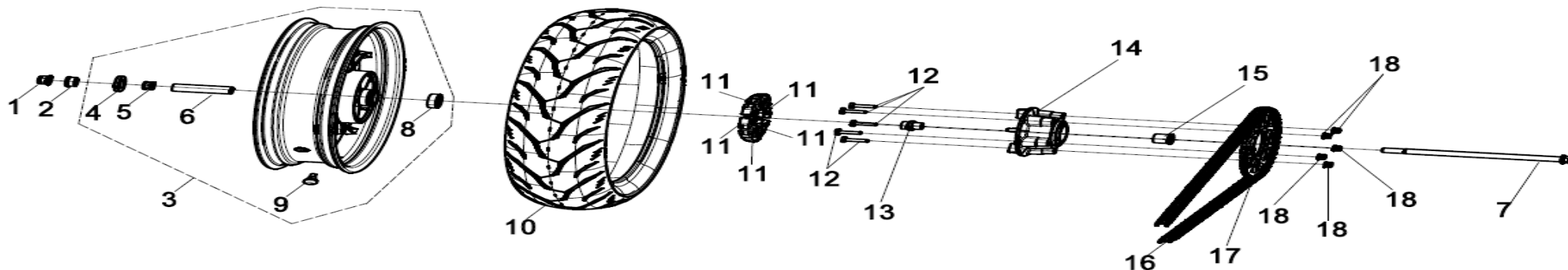
转向系统/STEERING SYSTEM



POSITION NO.	CODE	EN DESCRIPTION	CN DESCRIPTION	QTY / UNIT	REMARKS
1	6KMV-100301-B000	BALANCING WEIGHT	平衡块	2	
2	A000-100010-20000	RH HAND GRIP ASSY	右握把组件	1	
3	6KMV-167000-C200	HANDLEBAR SWITCH ASSY, RH	右手把开关总成	1	
4	6KMV-100500-C001	ADJUSTING THROTTLE CABLE	可调油门拉索	1	
5	6KMV-100400-C001	THROTTLE CABLE	油门拉索	1	
6	A000-050015	WIRE CLIP, FRONT BRAKE FLUID HOSE	前制动油管夹	1	
7	6KMV-100101-C001	HANDLEBAR PIPE	方向把管	1	
7	6KMV-100102-C001	HANDLEBAR PIPE	方向把管	1	
8	6KMV-100600-C000	CLUTCH CABLE	离合拉索	1	
9	30105-040012470	SCREW 4.8	螺钉	1	
10	6KMV-166000-C000	HANDLEBAR SWITCH ASSY, LH	左手把开关总成	1	
11	6FI3-100301	CLUTCH LEVER	离合手柄	1	
12	6FI3-100300-10000	CLUTCH LEVER ASSY	离合手柄组合	1	
13	A000-100001-10000	LH HAND GRIP	左握把	1	
14	30102-060045870	SCREW	螺钉	2	
15	6KMV-100302-B000	BALANCER	配重块	2	

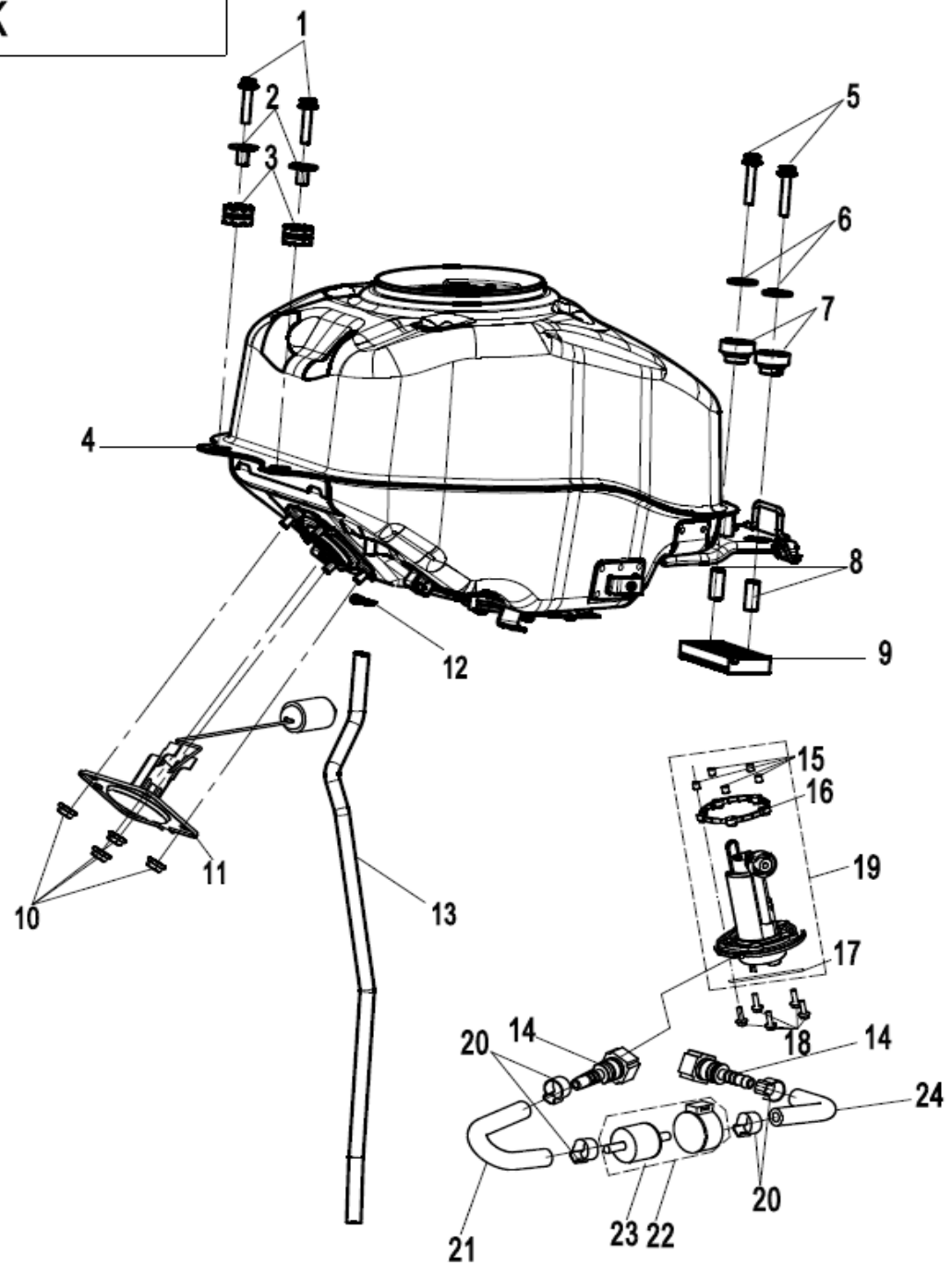
F11 后轮 REAR WHEEL

后轮总成/REAR WHEEL ASSY



POSITION NO.	CODE	EN DESCRIPTION	CN DESCRIPTION	QTY / UNIT	REMARKS
1	30204-143810	NUT M14x1.5	螺母	1	
2	6KJ0-110001-10000	RH SHAFT SLEEVE, REAR WHEEL	后轮右轴套	1	
3	6KMV-110100-C001-0BM00	REAR RIM ASSY	后轮辋组合	1	
4	30500-027800N	OIL SEAL	油封	1	
5	30400-01583	BEARING	滚动轴承	1	
6	6KM#-110103-6001	MIDDLE SPACER, REAR RIM	后轮辋中隔套	1	
7	6KJ0-110005-20000	REAR WHEEL SHAFT	后轮轴	1	
8	30400-01580	BEARING	滚动轴承	1	
9	5190-070030-1000	VALVE, INFLATION	气门嘴	1	
10	30705-1756	TIRE	轮胎	1	
11	6KM0-110004	RUBBER DAMPER, SPROCKET SOCKET	链轮座橡胶缓冲块	5	
12	6KJ0-110003	BOLT	链轮缓冲螺栓	5	
13	6KM0-110003-10000	BUSHING, SPROCKET SOCKET	链轮座衬套	1	
14	6KM0-110200-10000	SPROCKET SOCKET	链轮座组合	1	
15	6KM0-110002-10000	SHAFT SLEEVE, REAR WHEEL	后轮轴套	1	
16	3120910	CHAIN	链条	1	
17	6KMV-110006-C000	REAR SPROCKET	后链轮	1	
18	30204-080810	NUT M8	螺母	5	

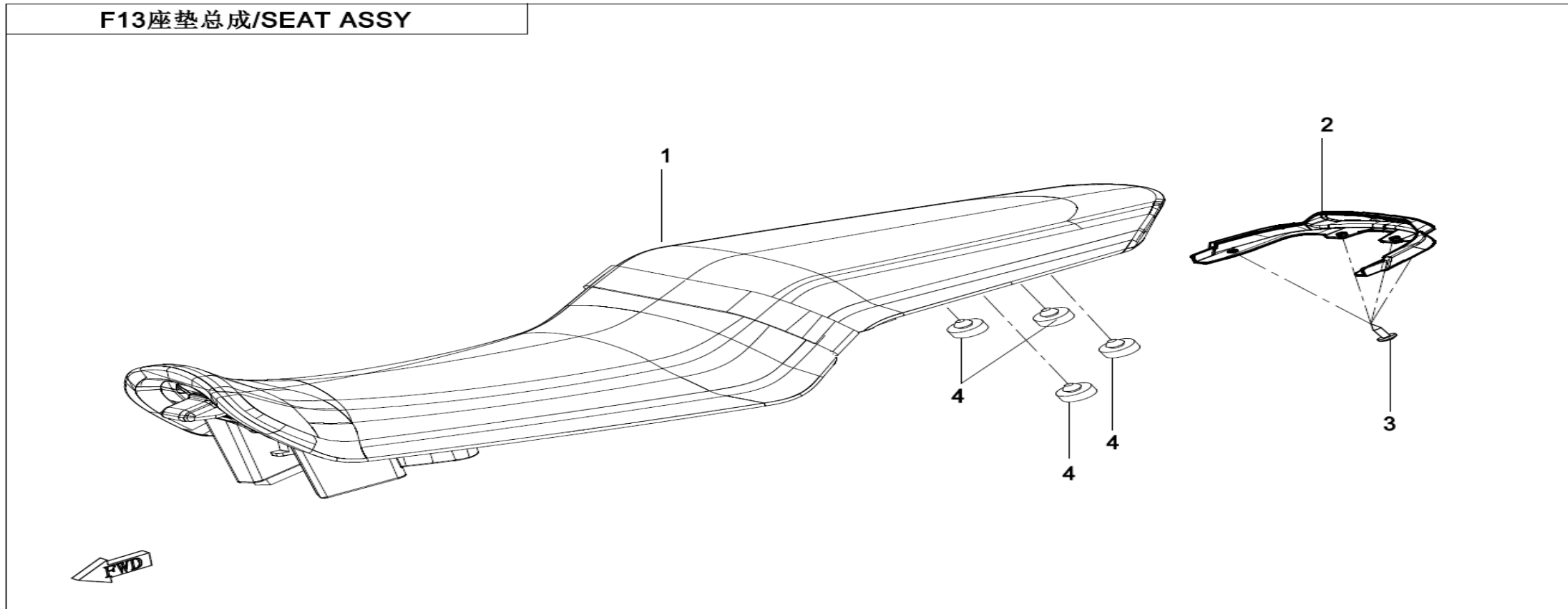
油箱/FUEL TANK



POSITION NO.	CODE	EN DESCRIPTION	CN DESCRIPTION	QTY / UNIT	REMARKS
1	30006-060025810	BOLT M6x25	螺栓	2	
2	6KM0-120010	T-TYPE BUSHING ASSY	T型衬套组合	2	
3	5020-031001	RUBBER SLEEVE, FRONT LICENSE BRACKET	前牌照支架橡胶胶套	2	
4	6KMV-121000-C000	FUEL TANK ASSY	油箱焊接组合	1	
5	30006-060035810	BOLT M6x35	螺栓	2	
6	30301-060412	WASHER	垫圈	2	
7	6NQ#-120004-6000	CUSHION RUBBER WAHSER	缓冲橡胶垫	2	
8	6NQ#-120002-6000	MOUNTING BUSHING	安装衬套	2	
9	6NQ#-120003-6000	RUBBER DAMPER BLOCK	缓冲橡胶垫块	1	
10	30202-060110	NUT M6	螺母	4	
11	6KMV-170200-C000-M1	FUEL LEVEL SENSOR	油位传感器	1	
12	30601-111010	CLAMP A11	环箍A11	1	
13	6KMV-120001-C000	BREATHER HOSE, FUEL TANK	油箱通气管	1	
14	6KJ0-120330-10000	QUICK JOINT	快速接头	2	
15	6KJ0-150903	BUSHING	衬套	5	
16	6KJ0-150902	SEAL WASHER, TOP COVER	顶盖密封圈	1	
17	6KJ0-150901	LOCK PAD, TOP COVER	顶盖锁紧片	1	
18	30006-050020810	BOLT M5x20	螺栓	5	
19	6KJV-150900-8001	FUEL PUMP ASSY	油泵总成	1	
20	6070-120400	CLAMP	无级环箍 (Φ14.5)	4	
21	6KM0-120210	HIGH-PRESSURE FUEL HOSE, I	高压油管I组合	1	
22	6090-120220	FUEL FILTER ASSY, EFI	电喷燃油滤清器组合	1	
23	805A-120004	FUEL FILTER, EFI	电喷燃油滤清器	1	
24	6KM0-120220	HIGH-PRESSURE FUEL HOSE,II	高压油管II组合	1	

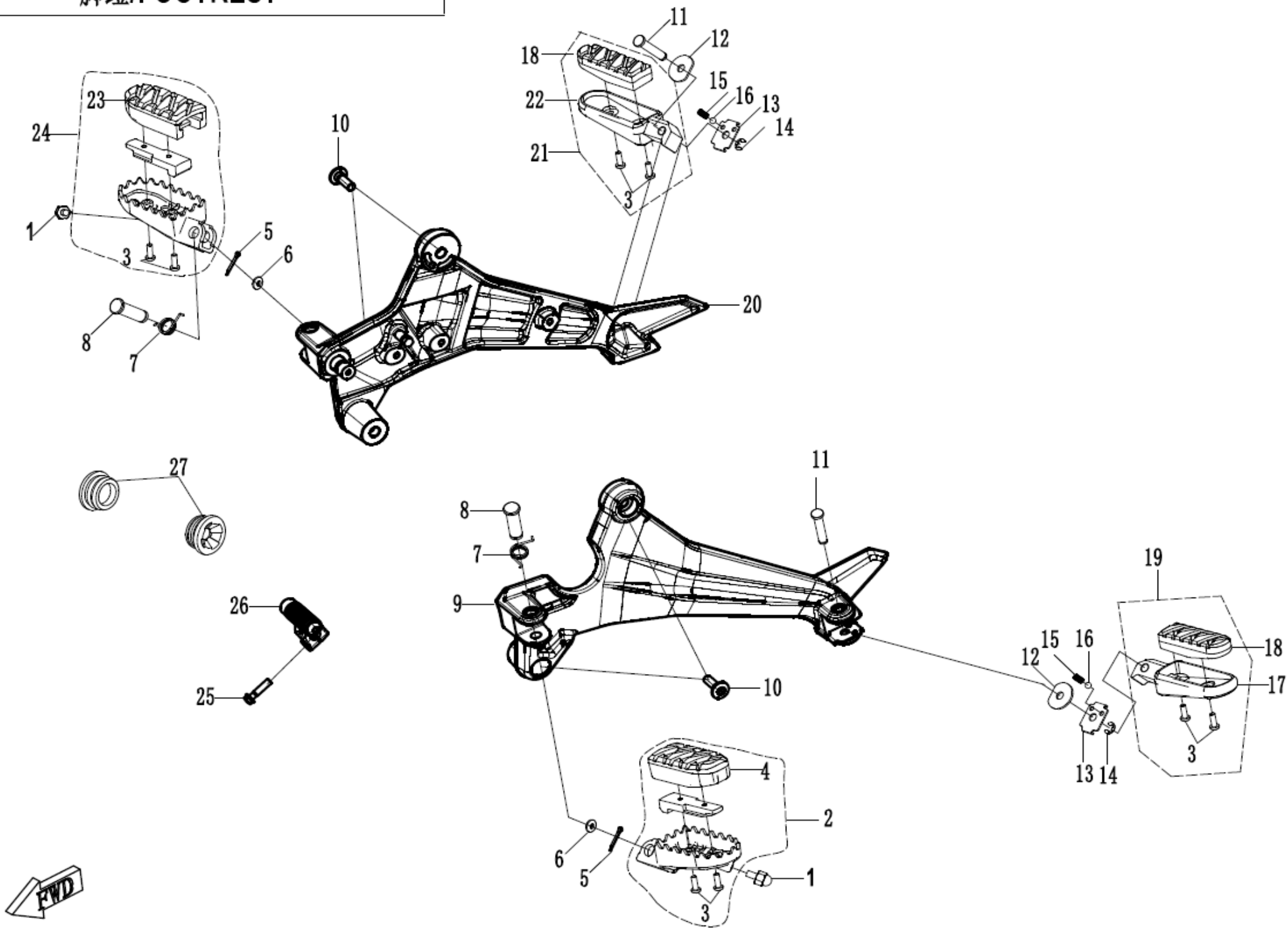
F13 座垫 SEAT

F13座垫总成/SEAT ASSY



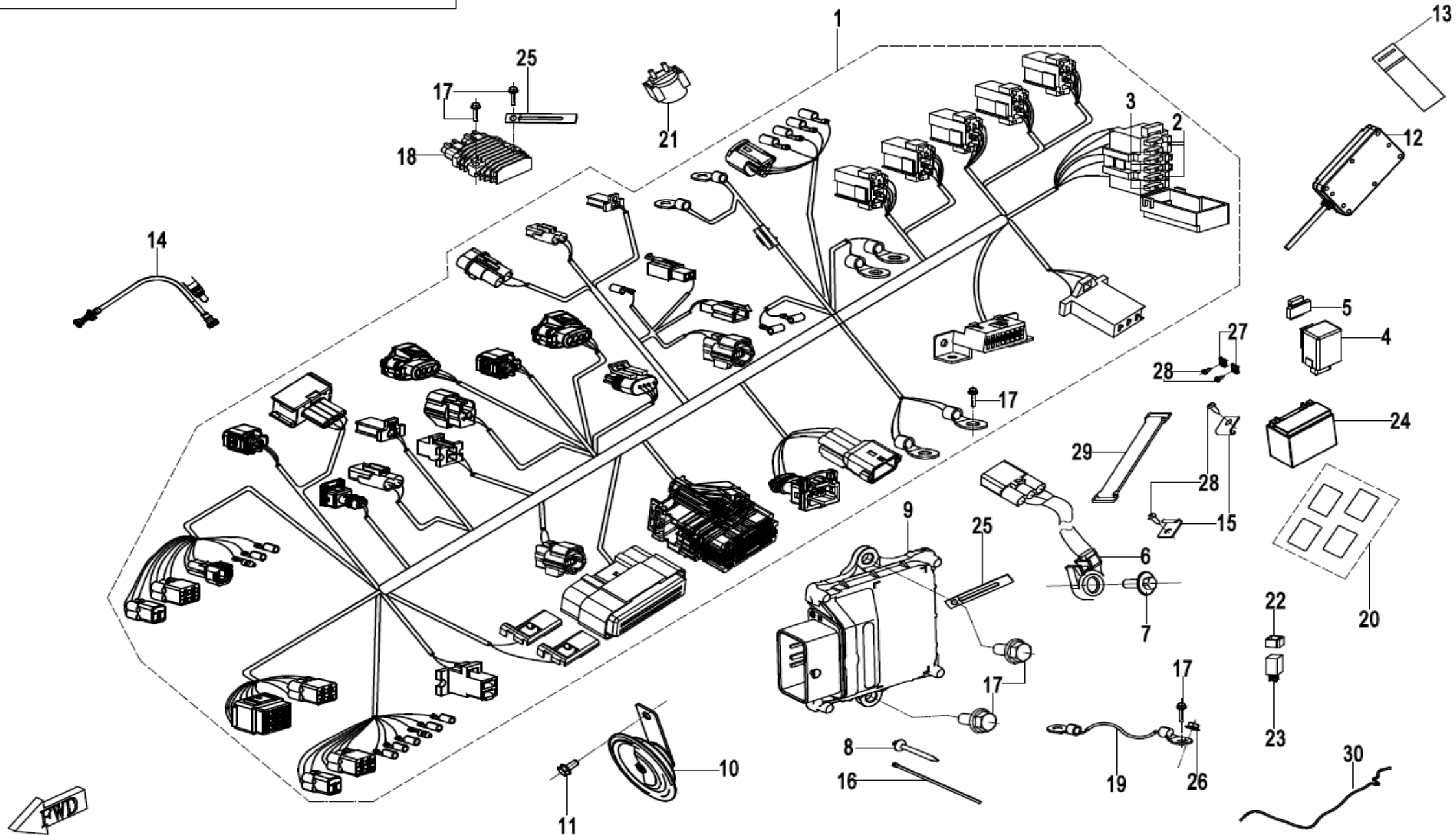
POSITION NO.	CODE	EN DESCRIPTION	CN DESCRIPTION	QTY / UNIT	REMARKS
1	6KMV-130100-C001	SEAT	座垫组合	1	
2	6KMV-041102-C000-0DD00	REAR DECO STRAP, SEAT	坐垫后装饰条	1	
3	30110-420095010	SELF-TAPPING SCREW ST4.2x9.5	自攻螺钉	4	
4	6KM0-130205	RUBBER	缓冲橡胶垫	4	

脚蹬/FOOTREST



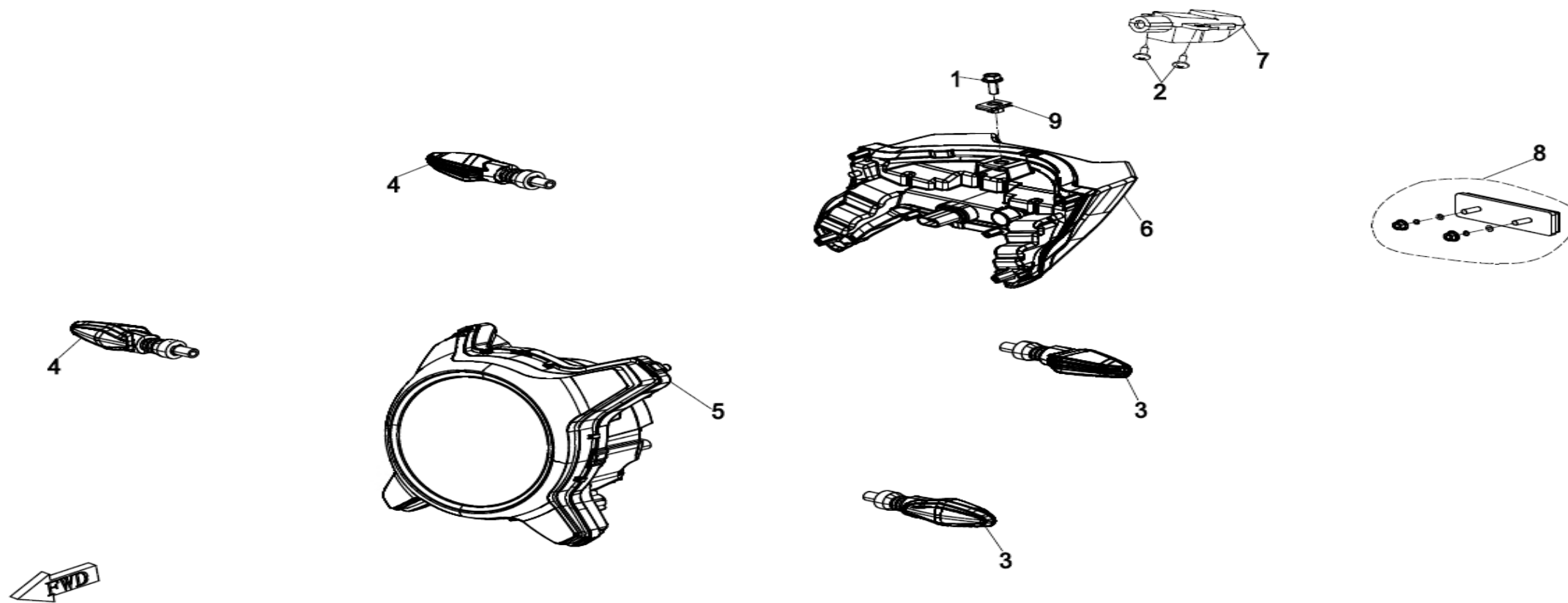
POSITION NO.	CODE	EN DESCRIPTION	CN DESCRIPTION	QTY / UNIT	REMARKS
1	6GU#-140202-6000	LIMIT BOLT	限位螺钉	2	
2	6GUV-140220-6003-0BP00	FRONT FOOTREST SEAT, LH	左前脚踏座组件	1	
3	30105-050014470	SCREW	螺钉	8	
4	6GU#-140205-6000	LH FRONT FOOTREST RUBBER	左前脚踏胶皮	1	
5	30903-0322210	COTTER PIN	开口销	2	
6	30300-100112	WASHER	垫圈	2	
7	A000-140103-20000	SPRING	扭簧	2	
8	6WWV-140141-5000	PIN SHAFT	销轴	2	
9	6KMV-140600-C000	BRACKET, LH FOOTREST	左脚蹬支架	1	
10	6GU#-140201-6000	BOLT M8x25	凸台螺栓M8×25	4	
11	A000-140142	PIN SHAFT Dia 8	销轴φ8	2	
12	A000-140106	LOCATING GASKET II	定位垫片II	2	
13	A000-140104	LOCATING GASKET I	定位垫片I	2	
14	30802-00603	CIRCLIP 6	开口挡圈6	2	
15	5190-037813	SPRING	弹簧	2	
16	5190-037814	STEEL BALL	钢珠	2	
17	6GU#-140041-6000-0BP00	LH REAR FOOTREST BOARD	左后脚踏座	1	
18	6GU#-140080-6000	RUBBER, REAR FOOTREST BOARD	后脚踏胶皮组件	2	
19	6GU#-1400A0-6000-0BP00	RUBBER, LH REAR FOOTREST BOARD	左后脚踏组件_莫德灵黑	1	
20	6KMV-140700-C000	BRACKET, RH FOOTREST	右脚踏支架组件	1	
21	6GU#-1400B0-6000-0BP00	RUBBER, RH REAR FOOTREST BOARD	右后脚踏组件_莫德灵黑	1	
22	6GU#-140051-6000-0BP00	RH REAR FOOTREST BOARD	右后脚踏座	1	
23	6GU#-140206-6000	RH FRONT FOOTREST RUBBER	右前脚踏胶皮	1	
24	6GUV-140230-6003-0BP00	FRONT FOOTREST SEAT, RH	右前脚踏座组件	1	
25	0010-021017-0010	BOLT M6x25	螺栓	1	
26	6KMV-141000-C001	GEARSHIFT ASSY	换挡组件	1	
27	6GU#-140097-6000	FRONT DECO CLASP, FRAME	车架前装饰扣	2	

电器系统/ELECTRIC SYSTEM



POSITION NO.	CODE	EN DESCRIPTION	CN DESCRIPTION	QTY / UNIT	REMARKS
1	6KMV-150100-C001-10	MAIN CABLE	主线束	1	
2	806A-151302	FUSE 10A	保险丝_10A	3	
3	806A-151305	FUSE 15A	保险丝_15A	6	
4	6KM0-150340	FLASHER	闪烁器	1	
5	6100-150500	RUBBER SLEEVE, FLASHER	闪烁器安装橡胶套	1	
6	6KMV-151200-8501	SIDE STAND SWITCH	边撑开关	1	
7	8010-090005	BOLT M6x16	螺栓M6×16	1	
8	7030-150005	TIE BAND	扎带	5	
9	6KMV-001000-C001	ECU ASSY	ECU总成	1	
10	KNL0-150600	HORN	喇叭	1	
11	30006-080016870	BOLT	螺栓	1	
12	6GUV-151800-7501-M1	T-BOX	智能中控	1	
13	6KMV-150901-B001	RUBBER RING, T-BOX	T-BOX橡胶圈	1	
14	0HU0-176000	OXYGEN SENSOR	氧传感器	1	
15	A000-030005	TIE BAND BRACKET, TOOLS KIT	随车工具拉带支架	1	
16	8010-150003	TIE BAND	扎带	13	
17	30006-060012810	BOLT M6x12	螺栓	3	
18	6KJC-177000-8000	REGULATOR	整流调压器	1	
19	6KMV-150020-C000	POSITIVE/NEGATIVE CABLE, START MOTOR	起动马达正负极线	1	
20	9010-120008	SPONGE PAD, FUEL TANK	油箱海绵块	6	
21	6KJ0-150500	RELAY, STARTER	启动继电器	1	
22	9010-150002	RUBBER RING, AUXILIARY RELAY	辅助继电器橡胶圈	5	
23	5BY4-150330	AUXILIARY RELAY	辅助继电器	5	
24		31020902 BATTERY	蓄电池	1	
25	0180-014010	WIRE CLAMP	线夹组合	2	
26	30202-060110	NUT M6	螺母	1	
27	8080-000002	CLIP NUT ST4.8	夹板ST4.8	2	
28	30110-481130010	SELF-TAPPING SCREW ST4.8x13	自攻螺钉	4	
29	1080-150700	TIE BAND, BATTERY	蓄电池拉带	1	
30	6GU#-150400-6001	AUXILIARY CABLE, LICENSE LIGHT	牌照灯副电缆	1	
31	6KMV-030070-2000	BRACKET, ABS	ABS安装支架	1	

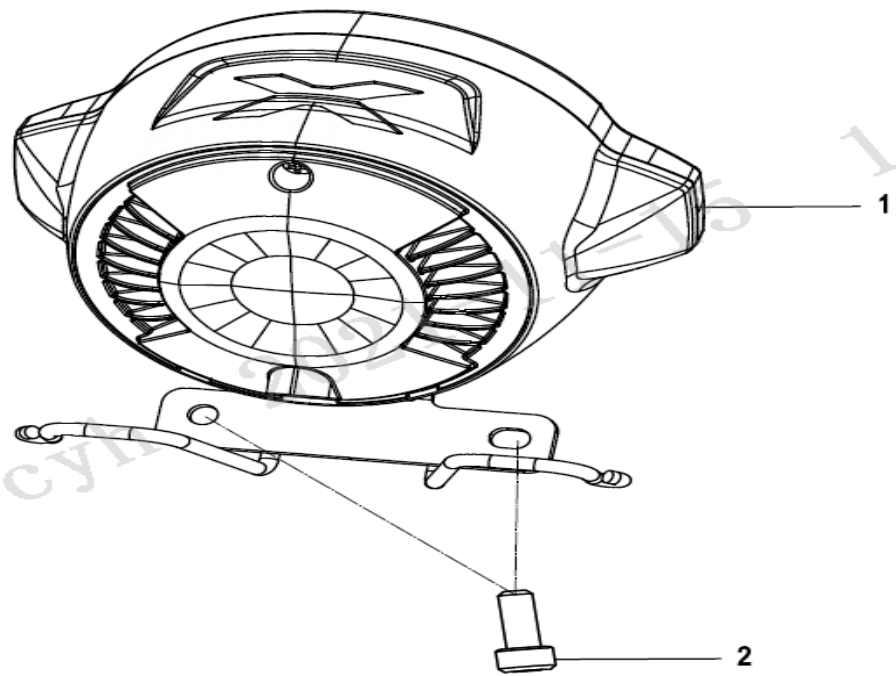
灯具/LIGHTS



POSITION NO.	CODE	EN DESCRIPTION	CN DESCRIPTION	QTY / UNIT	REMARKS
1	30006-060022810	BOLT	螺栓	1	
2	30110-350095010	SELF-TAPPING SCREW ST3.5x9.5	自攻螺钉	2	
3	6GU#-160410-6002	LH FRONT TURN LIGHT	左前转向灯	2	
4	6GU#-160420-6002	RH FRONT TURN LIGHT	右前转向灯	2	
5	6KMV-160110-C000	HEADLIGHT	前照灯	1	
5	6GUV-160110-7001	HEADLIGHT	前照灯	4	
6	6GUV-162100-6003	TAIL LIGHT ASSY	尾灯组合	1	
7	6FIV-160600-6601	LICENSE LIGHT	牌照灯	1	
8	6KM0-160230-00001	REAR REFLECTOR	后反射器	1	
9	8030-040800-00001	NUT CLIP M6	M6螺母夹	1	

F17 仪表 DASHBOARD

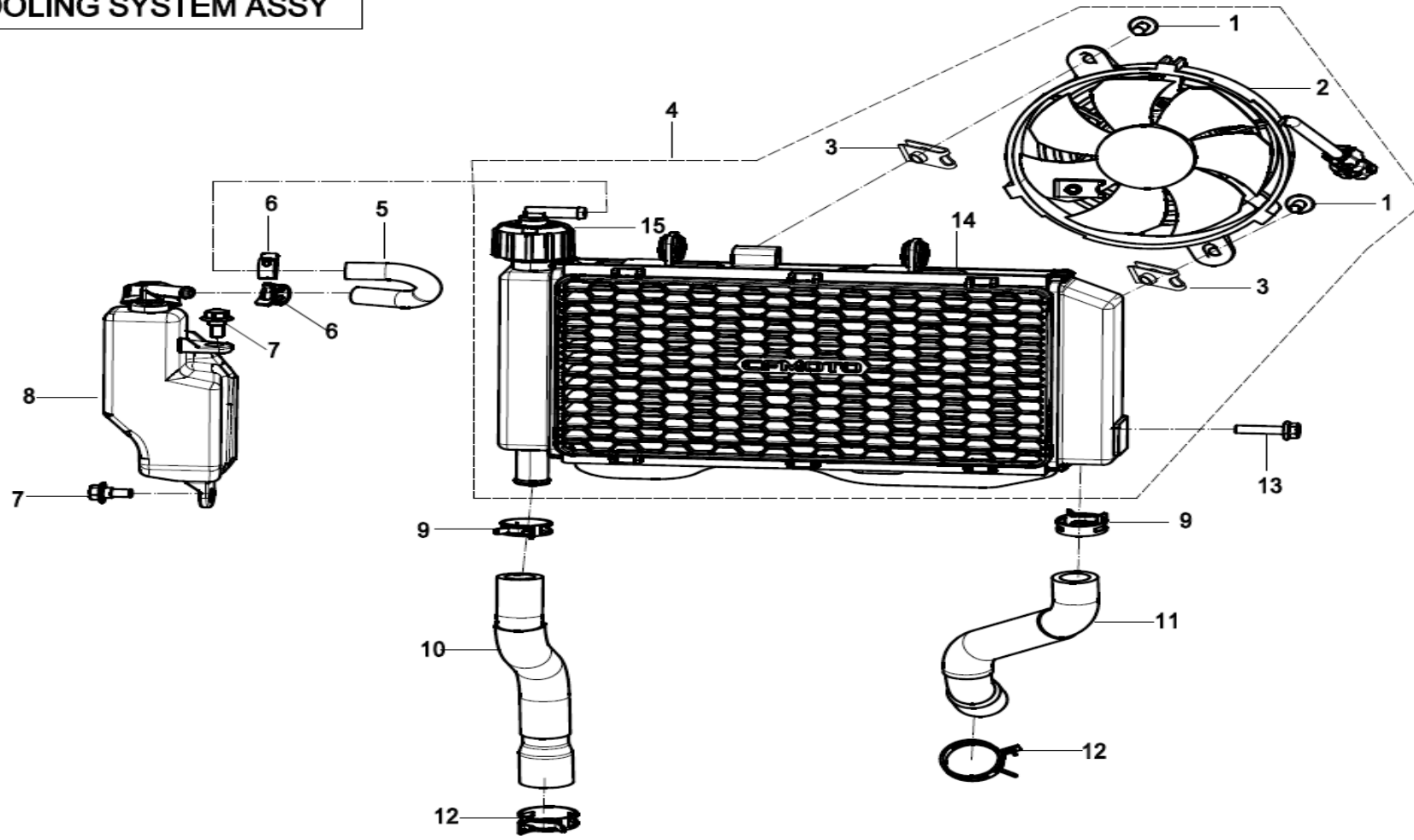
仪表总成/DASHBOARD ASSY



POSITION NO.	CODE	EN DESCRIPTION	CN DESCRIPTION	QTY / UNIT	REMARKS
1	6KMV-171010-C300	LCD DSAHBOARD	液晶仪表总成	1	
2	30006-080012810	BOLT M8x12	螺栓	2	

F18 冷却系统 COOLING SYSTEM

冷却系统总成/COOLING SYSTEM ASSY



POSITION NO.	CODE	EN DESCRIPTION	CN DESCRIPTION	QTY / UNIT	REMARKS
1	30004-060016130	BOLT M6x16	螺栓	2	
2	6KMV-181200-6002	FAN MOTOR ASSY	电机风扇组合	1	
3	8030-040800-00001	NUT CLIP M6	M6螺母夹	2	
4	6KMV-181000-C000	RADIATOR FAN ASSY	散热器风扇组合	1	
5	6KMV-180004-C000	CONNECTING PIPE, RESERVOIR TANK	副水箱连接管	1	
6	30601-212570	CLAMP	环箍	2	
7	5HY#-040001-1000	BOLT M6x14	螺栓M6×14	2	
8	6KMV-180200-C000	RESERVOIR TANK ASSY	副水箱组合	1	
9	6100-180001	CLAMP B24	环箍B24	2	
10	6KM0-180002	WATER OUTLET HOSE, RADIATOR	散热器出水管	1	
11	6KM0-180001	WATER INLET HOSE, RADIATOR	散热器进水管	1	
12	6KM0-180004	CLAMP B28	卡箍 B28	2	
13	30006-060025810	BOLT M6x25	螺栓	1	
14	6KMV-181100-C000	RADIATOR ASSY	散热器焊接组件	1	
15	6KMV-181300-C000	FILLER CAP ASSY	加水口盖组合	1	

F19-2-A 贴花(星光黑) DECAL(NEBULA BLACK)

kf-cyh

2021-11-18 16:30:08

工件：油箱左外护板，外贴
颜色星光黑，亮光面，材料ABS

04

05

特殊说明：序号5贴花处于人体接触区域，有耐磨需求。

序号	图号	名称	尺寸	数量	材料	表面效果	粘接弧度	粘接表面基材	粘接表面处理	备注
04	6KMV-190104-C000-11	油箱左护板贴花 I	152*146	1	3M 2008透明材料或PVC透明材料	亮光光油	3D大弧度	ABS	烤漆	
05	6KMV-190105-C000-11	油箱左护板贴花 II	223*159	1	PVC透明材料	亮光光油	3D小弧度	ABS	烤漆	有耐磨需求，采用正面印刷+覆膜工艺

CFMOTO kf-cyh

2021-11-18 16:28:08

工件：油箱右外护板，外贴
颜色星光黑，亮光面，材料ABS

01

02

03

特殊说明：序号3贴花处于人体接触区域，有耐磨需求。

序号	图号	名称	尺寸	数量	材料	表面效果	粘接弧度	粘接表面基材	粘接表面处理	备注
01	6KMV-190101-C000-11	油箱右护板贴花 I	128*30	1	3M 2008透明材料或PVC透明材料	亮光光油	3D小弧度	ABS	烤漆	
02	6KMV-190102-C000-11	油箱右护板贴花 II	123*125	1	3M 2008透明材料或PVC透明材料	亮光光油	3D大弧度	ABS	烤漆	
03	6KMV-190103-C000-11	油箱右护板贴花 III	253*80	1	PVC透明材料	亮光光油	3D小弧度	ABS	烤漆	有耐磨需求，采用正面印刷+覆膜工艺

CF250-7 贴花

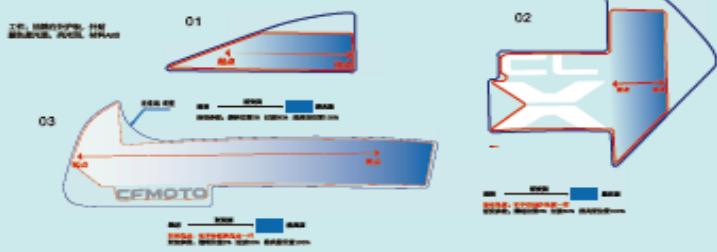
星光黑配色

6KMV-190100-C000-11 个性贴花总成

贴花底材图例
(仅指切白/透明, 亮光/哑光实际材料以原注)
透明亮光
透明哑光

刀模线(半模线) 覆膜线(整模线)
 合金 高光黑 高光银 高光铜 高光铬 高光镍 高光钛 高光铝 高光钢 高光铜 高光铬 高光镍 高光钛 高光铝 高光钢
 备注: 高光白/高光黑/高光铜/高光铬/高光镍/高光钛/高光铝/高光钢

特殊说明: 图纸表格内的材料为我司推荐材料, 允许使用其他满足使用要求或性能与推荐材料相当的替代材料。



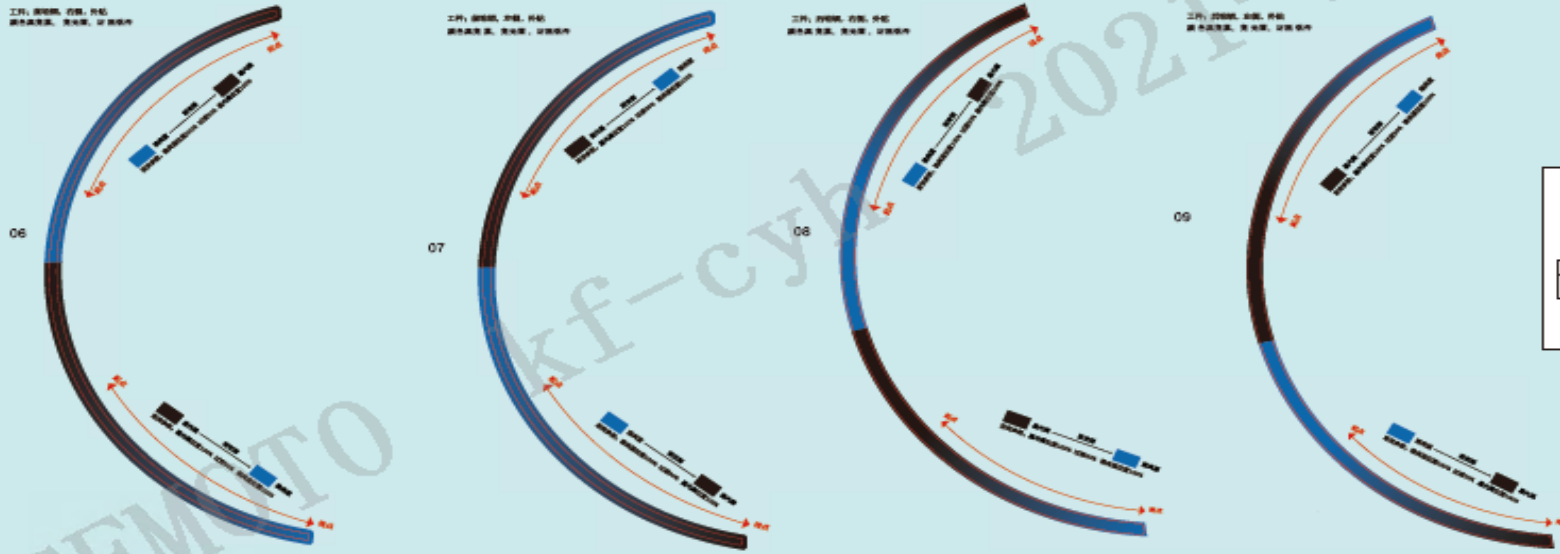
特殊说明: 序号02贴花处于人体接触区域, 有耐刮需求。

序号	图号	名称	尺寸	数量	材料	表面效果	贴花厚度	贴花厚度基材	贴花厚度处理	备注
01	6KMV-190100-C000-11	侧盖右字模贴花 I	122*26	1	3M 2000透明材料或PC透明材料	高光亮黑	26个厚度	ABS	烤漆	
02	6KMV-190100-C000-11	侧盖右字模贴花 II	122*122	1	3M 2000透明材料或PC透明材料	高光亮黑	26个厚度	ABS	烤漆	
03	6KMV-190100-C000-11	侧盖右字模贴花 III	223*80	1	PS透明材料	高光亮黑	26个厚度	ABS	烤漆	有耐刮需求, 采用无溶剂UV油墨工艺



特殊说明: 序号05贴花处于人体接触区域, 有耐刮需求。

序号	图号	名称	尺寸	数量	材料	表面效果	贴花厚度	贴花厚度基材	贴花厚度处理	备注
04	6KMV-190100-C000-11	侧盖左字模贴花 I	122*144	1	3M 2000透明材料或PC透明材料	高光亮黑	26个厚度	ABS	烤漆	
05	6KMV-190100-C000-11	侧盖左字模贴花 II	223*155	1	PS透明材料	高光亮黑	26个厚度	ABS	烤漆	有耐刮需求, 采用无溶剂UV油墨工艺



工作: 侧盖左字模贴花, 侧盖
6KMV-190100-C000-11

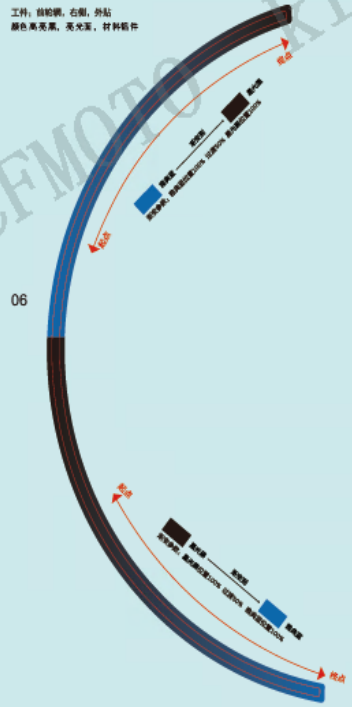
序号	图号	名称	尺寸	数量	材料	表面效果	贴花厚度	贴花厚度基材	贴花厚度处理	备注
12	6KMV-190100-C000-11	ABS贴花	60*10	1	3M 2000透明材料或PC透明材料	高光亮黑	26个厚度	ABS	烤漆	

序号	图号	名称	尺寸	数量	材料	表面效果	贴花厚度	贴花厚度基材	贴花厚度处理	备注
06	6KMV-200100-C000-11	侧盖侧左贴花	182*432	1	3M 2000透明材料或PC透明材料	高光亮黑	26个厚度	合金	烤漆	
07	6KMV-200100-C000-11	侧盖侧左贴花	182*432	1	3M 2000透明材料或PC透明材料	高光亮黑	26个厚度	合金	烤漆	
08	6KMV-200100-C000-11	侧盖侧左贴花	212*431	1	3M 2000透明材料或PC透明材料	高光亮黑	26个厚度	合金	烤漆	
09	6KMV-200100-C000-11	侧盖侧左贴花	212*431	1	3M 2000透明材料或PC透明材料	高光亮黑	26个厚度	合金	烤漆	

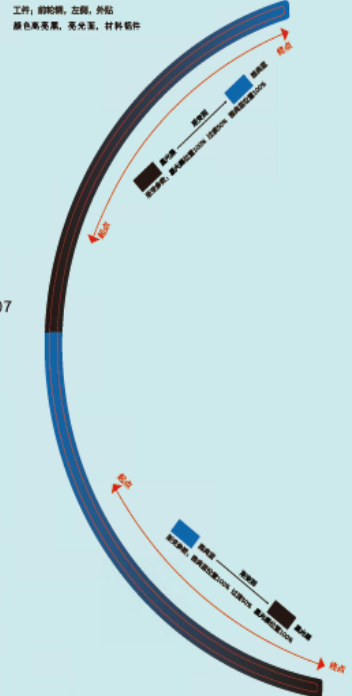


序号	图号	名称	尺寸	数量	材料	表面效果	贴花厚度	贴花厚度基材	贴花厚度处理	备注
10	6KMV-190110-C000-11	侧盖右字模贴花 I	114*90	1	3M 2000透明材料或PC透明材料	高光亮黑	26个厚度	ABS	烤漆, 高光电镀银色	
11	6KMV-190110-C000-11	侧盖右字模贴花 II	114*90	1	3M 2000透明材料或PC透明材料	高光亮黑	26个厚度	ABS	烤漆, 高光电镀银色	

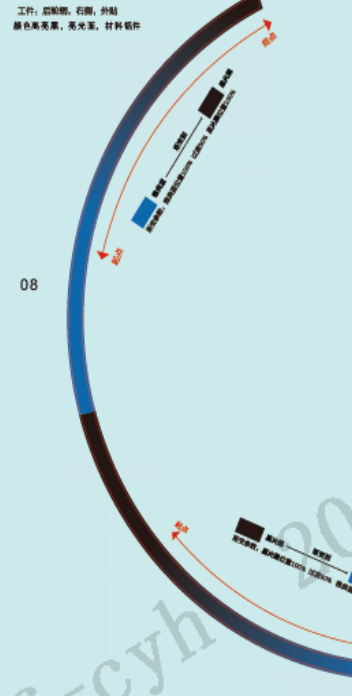
工件: 后轮罩, 右侧, 外贴
颜色: 亮亮黑, 亮亮蓝, 材料: 铝件



工件: 后轮罩, 左侧, 外贴
颜色: 亮亮黑, 亮亮蓝, 材料: 铝件



工件: 后轮罩, 右侧, 外贴
颜色: 亮亮黑, 亮亮蓝, 材料: 铝件



工件: 后轮罩, 左侧, 外贴
颜色: 亮亮黑, 亮亮蓝, 材料: 铝件



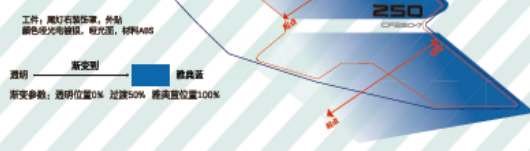
序号	图号	名称	尺寸	数量	材料	表面效果	粘接弧度	粘接表面基材	粘接表面处理
06	6KMV-190106-C000-11	后轮罩右贴花	181*432	1	3M 2008透明材料或100E-3的080	亮亮光油	3D小弧度	铝合金	烤漆
07	6KMV-190107-C000-11	后轮罩左贴花	181*432	1	3M 2008透明材料或100E-3的080	亮亮光油	3D小弧度	铝合金	烤漆
08	6KMV-190108-C000-11	后轮罩右贴花	212*431	1	3M 2008透明材料或100E-3的080	亮亮光油	3D小弧度	铝合金	烤漆
09	6KMV-190109-C000-11	后轮罩左贴花	212*431	1	3M 2008透明材料或100E-3的080	亮亮光油	3D小弧度	铝合金	烤漆

工件: 前减左右装饰罩, 外贴
塑料件, 材料: PA6+GF50

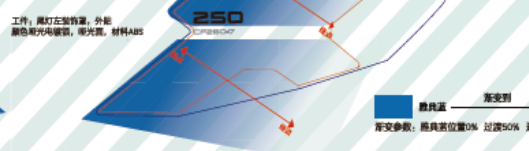
12

序号	图号	名称	尺寸	数量	材料	表面效果	粘接弧度	粘接表面基材	粘接表面处理
12	6KMV-190113-C000-10	ABS贴花	65*10	2	3M 2008透明材料或110透明材料	哑光光油	3D小弧度	PA6+GF50	烤漆

工件: 尾灯右装饰罩, 外贴
颜色: 亮亮黑, 亮亮蓝, 材料: ABS



工件: 尾灯左装饰罩, 外贴
颜色: 亮亮黑, 亮亮蓝, 材料: ABS

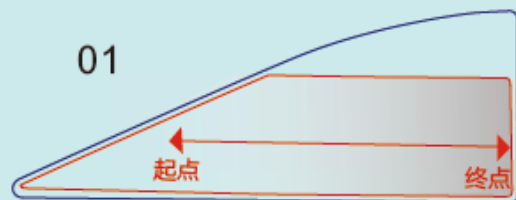


序号	图号	名称	尺寸	数量	材料	表面效果	粘接弧度	粘接表面基材	粘接表面处理
10	6KMV-190111-C000-11	尾灯右装饰罩贴花	184*80	1	3M 2008透明材料或VC透明材料	哑光光油	3D大弧度	ABS	烤漆, 哑光电镀银色
11	6KMV-190112-C000-11	尾灯左装饰罩贴花	184*80	1	3M 2008透明材料或VC透明材料	哑光光油	3D小弧度	ABS	烤漆, 哑光电镀银色

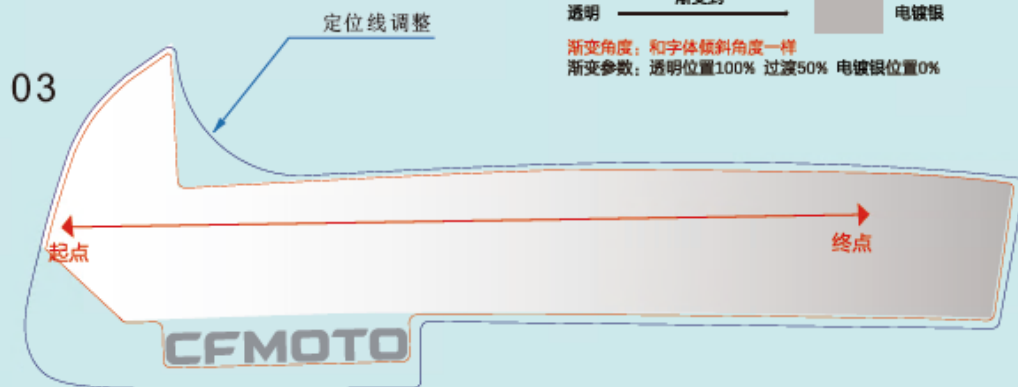
POSITION NO.	CODE	EN DESCRIPTION	CN DESCRIPTION	QTY / UNIT	REMARKS
1	6KMV-190101-C000-11	DECAL 1, FUEL TANK RH PANEL	油箱右护板贴花I	1	
2	6KMV-190102-C000-11	DECAL 2, FUEL TANK RH PANEL	油箱右护板贴花II	1	
3	6KMV-190103-C000-11	DECAL 3, FUEL TANK RH PANEL	油箱右护板贴花III	1	
4	6KMV-190104-C000-11	DECAL 1, FUEL TANK LH PANEL	油箱左护板贴花I	1	
5	6KMV-190105-C000-11	DECAL 2, FUEL TANK LH PANEL	油箱左护板贴花II	1	
6	6KMV-190106-C000-11	RH DECAL, FRONT RIM	前轮辋右贴花	1	
7	6KMV-190107-C000-11	LH DECAL, FRONT RIM	前轮辋左贴花	1	
8	6KMV-190108-C000-11	RH DECAL, REAR RIM	后轮辋右贴花	1	
9	6KMV-190109-C000-11	LH DECAL, REAR RIM	后轮辋左贴花	1	
10	6KMV-190111-C000-11	DECAL, TAIL LIGHT RH DECO GUARD	尾灯右装饰罩贴花	1	
11	6KMV-190112-C000-11	DECAL, TAIL LIGHT LH DECO GUARD	尾灯左装饰罩贴花	1	
12	6KMV-190113-C000-10	ABS DECAL	ABS贴花	2	

F19-2-B 贴花(星光白) DECAL(NEBULA WHITE)

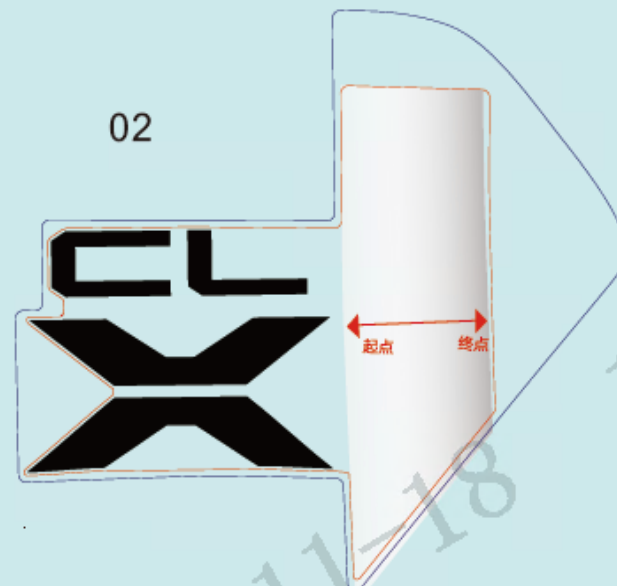
工件：油箱右外护板，外贴
颜色星光白，亮光面，材料ABS



透明 ——— 渐变到 ——— 电镀银
渐变角度：和字体倾斜角度一样
渐变参数：透明位置100% 过渡50% 电镀银位置0%



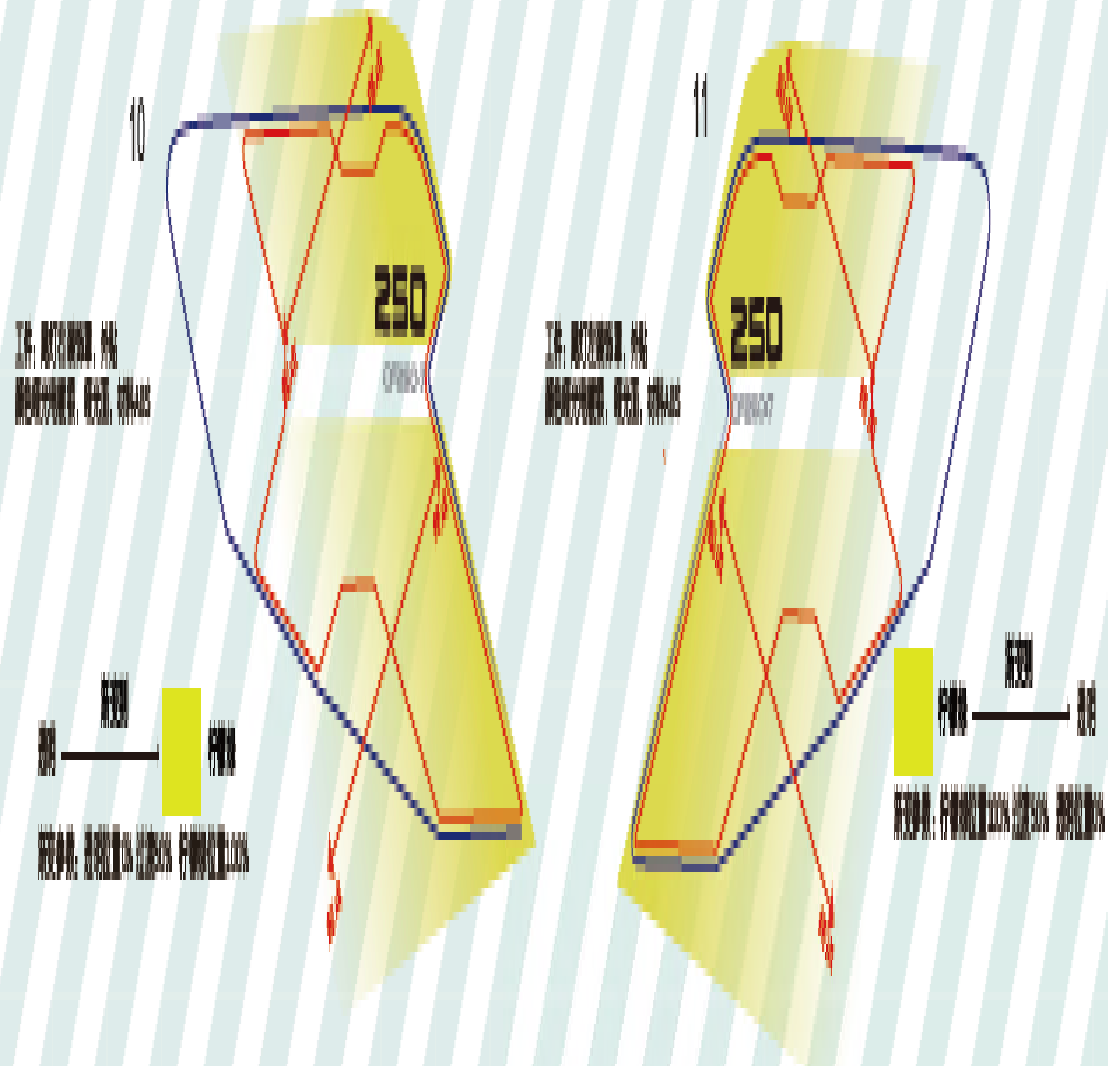
透明 ——— 渐变到 ——— 电镀银
渐变角度：和字体倾斜角度一样
渐变参数：透明位置100% 过渡50% 电镀银位置0%



透明 ——— 渐变到 ——— 电镀银
渐变角度：和字体倾斜角度一样
渐变参数：透明位置100% 过渡50% 电镀银位置0%

特殊说明：序号3贴花处于人体接触区域，有耐磨需求。

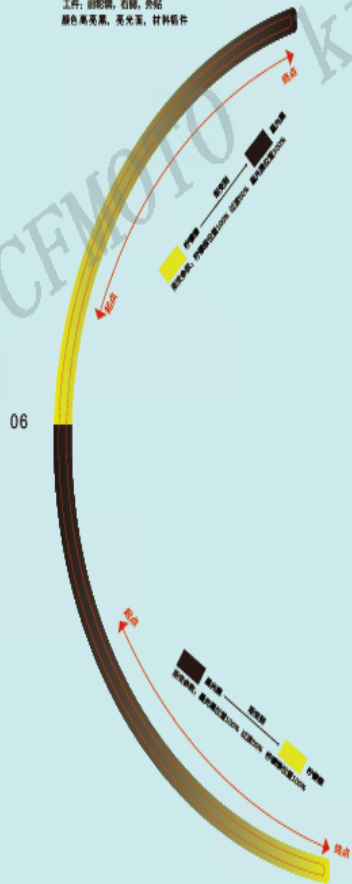
序号	图号	名称	尺寸	数量	材料	表面效果	粘接弧度	粘接表面基材	粘接表面处理	备注
01	6KMV-190101-C000-10	油箱右护板贴花 I	128*30	1	3M 2008透明材料或PVC透明材料	亮光光油	3D小弧度	ABS	烤漆	
02	6KMV-190102-C000-10	油箱右护板贴花 II	123*125	1	3M 2008透明材料或PVC透明材料	亮光光油	3D大弧度	ABS	烤漆	
03	6KMV-190103-C000-10	油箱右护板贴花 III	253*80	1	PVC透明材料	亮光光油	3D小弧度	ABS	烤漆	有耐磨需求，采用正面印刷+覆膜工艺



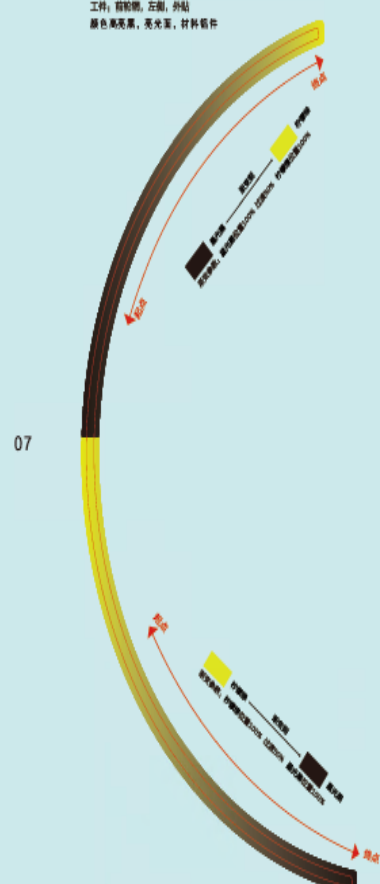
序号	图号	名称	尺寸	数量	材料	表面效果	粘接厚度	粘接胶基材	粘接表面处理
10	06WY-190111-0000-10	网灯右侧饰面贴花	184*80	1	3M 2008透明材料或PC透明材料	哑光油油	30±0.05mm	ABS	网架: 哑光电镀银色
11	06WY-190112-0000-10	网灯左侧饰面贴花	184*80	1	3M 2008透明材料或PC透明材料	哑光油油	30±0.05mm	ABS	网架: 哑光电镀银色

kf-cyh

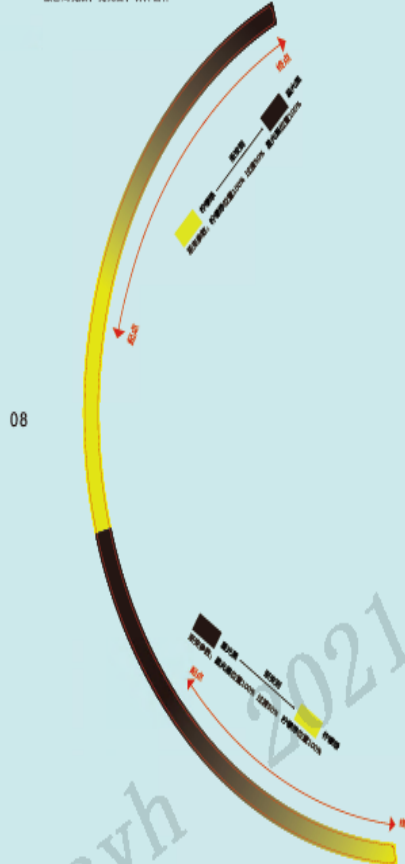
工件: 前轮罩, 右侧, 外贴
颜色: 亮亮黑, 亮亮黄, 材料零件



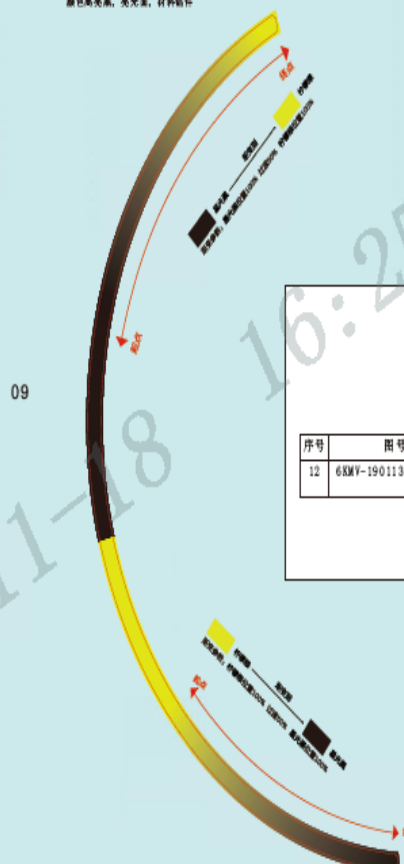
工件: 前轮罩, 左侧, 外贴
颜色: 亮亮黑, 亮亮黄, 材料零件



工件: 后轮罩, 右侧, 外贴
颜色: 亮亮黑, 亮亮黄, 材料零件



工件: 后轮罩, 左侧, 外贴
颜色: 亮亮黑, 亮亮黄, 材料零件



工件: 前减左右装饰罩, 外贴
材料: PA6+GF30

12



序号	图号	名称	尺寸	数量	材料	表面效果	粘接弧度	粘接表面基材	粘接表面处理
12	6KMV-190113-C000-10	ABS黏花	65*10	2	3M 180nc透明材料或e110透明材料	哑光亮油	3D小弧度	PA6+GF30	烤漆

序号	图号	名称	尺寸	数量	材料	表面效果	粘接弧度	粘接表面基材	粘接表面处理
06	6KMV-190106-C000-10	前轮罩右黏花	181*432	1	3M 2008透明材料或100E+3M9080	亮光亮油	3D小弧度	铝合金	烤漆
07	6KMV-190107-C000-10	前轮罩左黏花	181*432	1	3M 2008透明材料或100E+3M9080	亮光亮油	3D小弧度	铝合金	烤漆
08	6KMV-190108-C000-10	后轮罩右黏花	212*431	1	3M 2008透明材料或100E+3M9080	亮光亮油	3D小弧度	铝合金	烤漆
09	6KMV-190109-C000-10	后轮罩左黏花	212*431	1	3M 2008透明材料或100E+3M9080	亮光亮油	3D小弧度	铝合金	烤漆

25:00

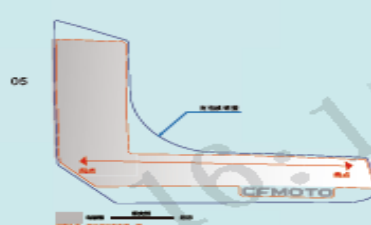
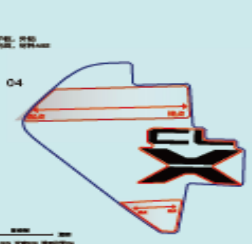
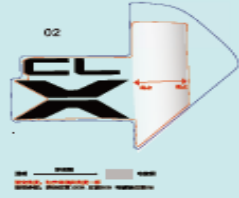
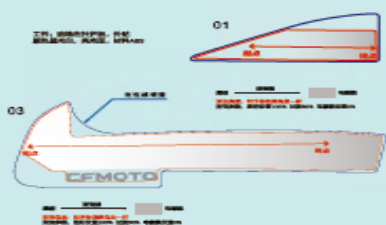
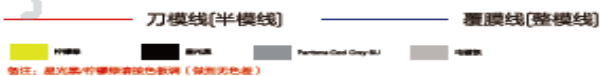
CF250-7 贴花

星光白配色

6KMV-190100-C000-10 个性贴花总成

贴花底材图例
(仅指星光白底材, 星光白底材实际材料以原注)

透明亮光
透明哑光

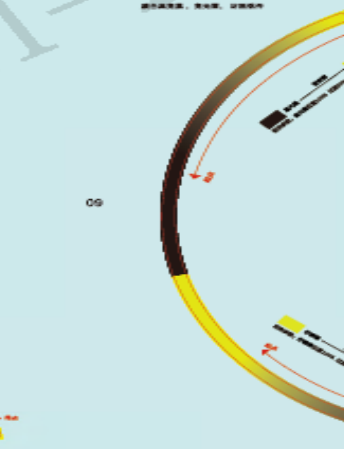
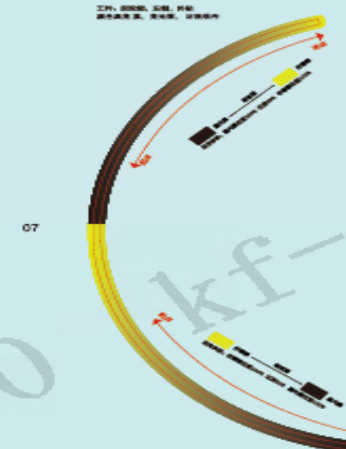
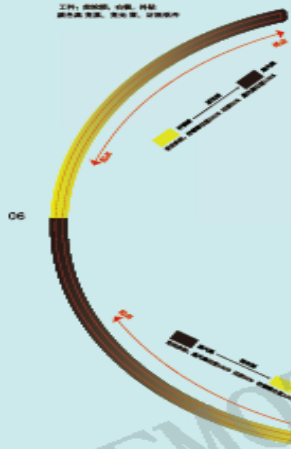


特殊说明: 序号01~03关于人体接触区域, 有特殊要求。

序号	图号	名称	尺寸	数量	材料	表面处理	贴膜工艺	贴膜厚度	贴膜颜色	贴膜光泽	贴膜备注
01	6KMV-190100-C000-10	侧盖右字模贴花1	128*26	1	2M 2000透明材料+PC透明材料	星光白漆	20个弧度	485	透明	透明	
02	6KMV-190100-C000-10	侧盖右字模贴花2	128*125	1	2M 2000透明材料+PC透明材料	星光白漆	20个弧度	485	透明	透明	
03	6KMV-190100-C000-10	侧盖右字模贴花3	253*36	1	PC透明材料	星光白漆	20个弧度	485	透明	有圆角要求, 还需正压注塑+覆膜工艺	

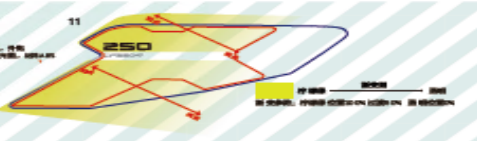
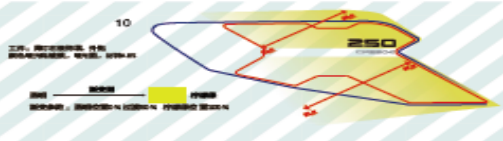
特殊说明: 序号04~05关于人体接触区域, 有特殊要求。

序号	图号	名称	尺寸	数量	材料	表面处理	贴膜工艺	贴膜厚度	贴膜颜色	贴膜光泽	贴膜备注
04	6KMV-190104-C000-10	侧盖左字模贴花1	152*246	1	2M 2000透明材料+PC透明材料	星光白漆	20个弧度	485	透明	透明	
05	6KMV-190104-C000-10	侧盖左字模贴花2	223*209	1	PC透明材料	星光白漆	20个弧度	485	透明	有圆角要求, 还需正压注塑+覆膜工艺	



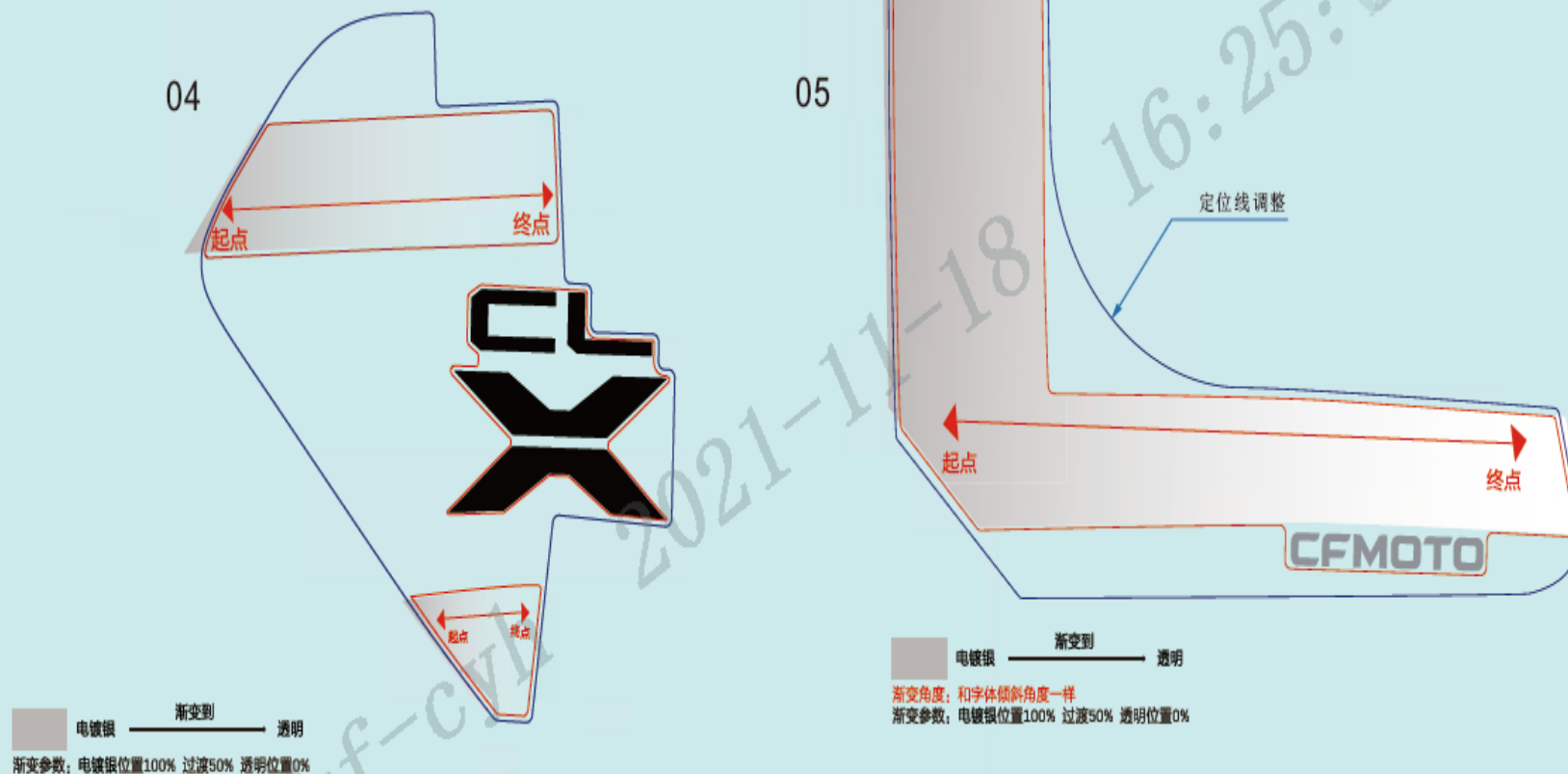
序号	图号	名称	尺寸	数量	材料	表面处理	贴膜工艺	贴膜厚度	贴膜颜色	贴膜光泽	贴膜备注
12	6KMV-190102-C000-10	ABS贴花	65*16	2	2M 1950透明材料+PC透明材料	星光白漆	20个弧度	485	透明	透明	

序号	图号	名称	尺寸	数量	材料	表面处理	贴膜工艺	贴膜厚度	贴膜颜色	贴膜光泽	贴膜备注
06	6KMV-190100-C000-10	侧盖圆角贴花	181*432	1	2M 2000透明材料+PC透明材料	星光白漆	20个弧度	485	透明	透明	
07	6KMV-190107-C000-10	侧盖圆角贴花	181*432	1	2M 2000透明材料+PC透明材料	星光白漆	20个弧度	485	透明	透明	
08	6KMV-190108-C000-10	侧盖圆角贴花	212*433	1	2M 2000透明材料+PC透明材料	星光白漆	20个弧度	485	透明	透明	
09	6KMV-190109-C000-10	侧盖圆角贴花	212*433	1	2M 2000透明材料+PC透明材料	星光白漆	20个弧度	485	透明	透明	



序号	图号	名称	尺寸	数量	材料	表面处理	贴膜工艺	贴膜厚度	贴膜颜色	贴膜光泽	贴膜备注
10	6KMV-190101-C000-10	尾灯右字模贴花	18*450	1	2M 2000透明材料+PC透明材料	星光白漆	20个弧度	485	透明	透明	星光白底材
11	6KMV-190101-C000-10	尾灯左字模贴花	18*450	1	2M 2000透明材料+PC透明材料	星光白漆	20个弧度	485	透明	透明	星光白底材

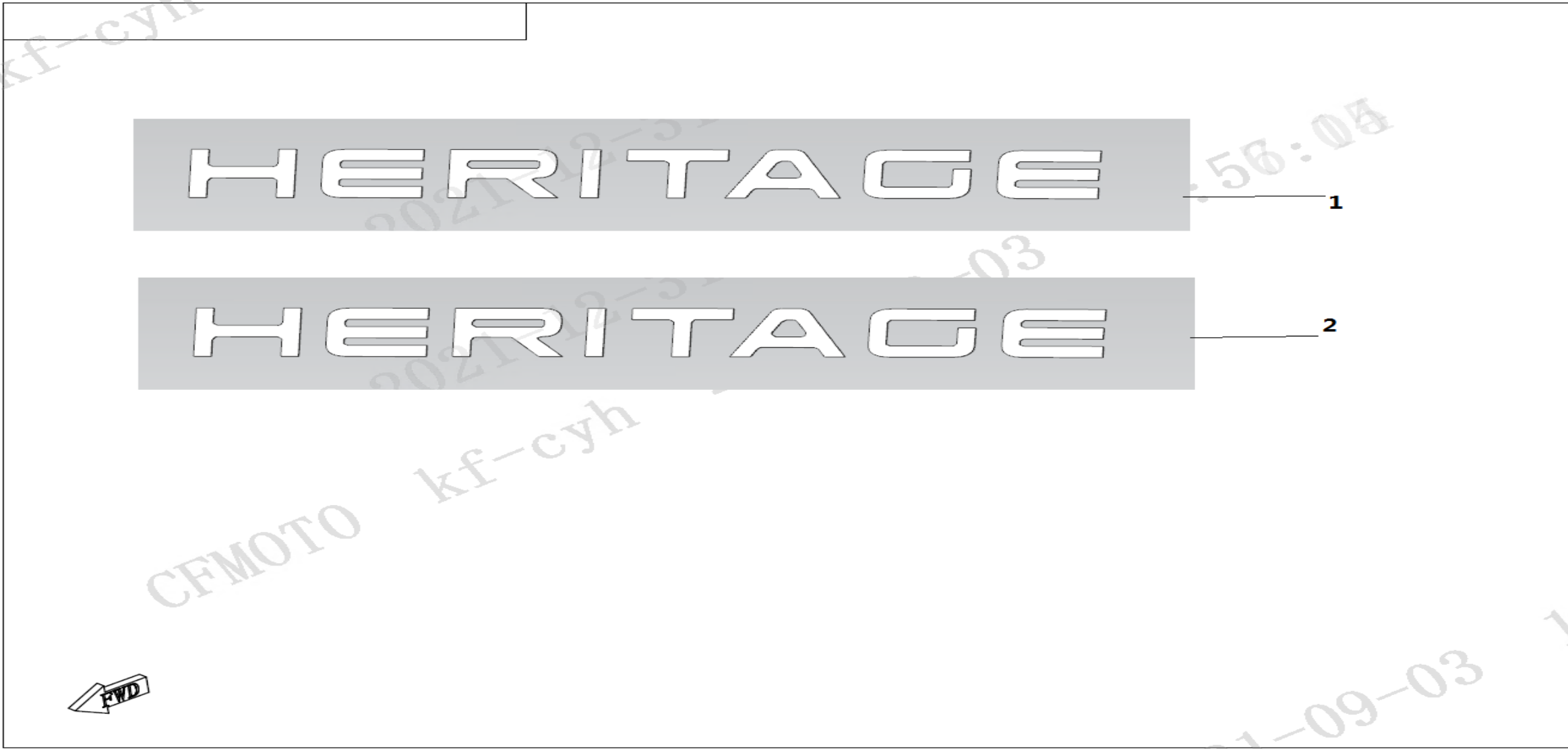
工件：油箱左外护板，外贴
颜色星光白，亮光面，材料ABS



特殊说明：序号5贴花处于人体接触区域，有耐磨需求。

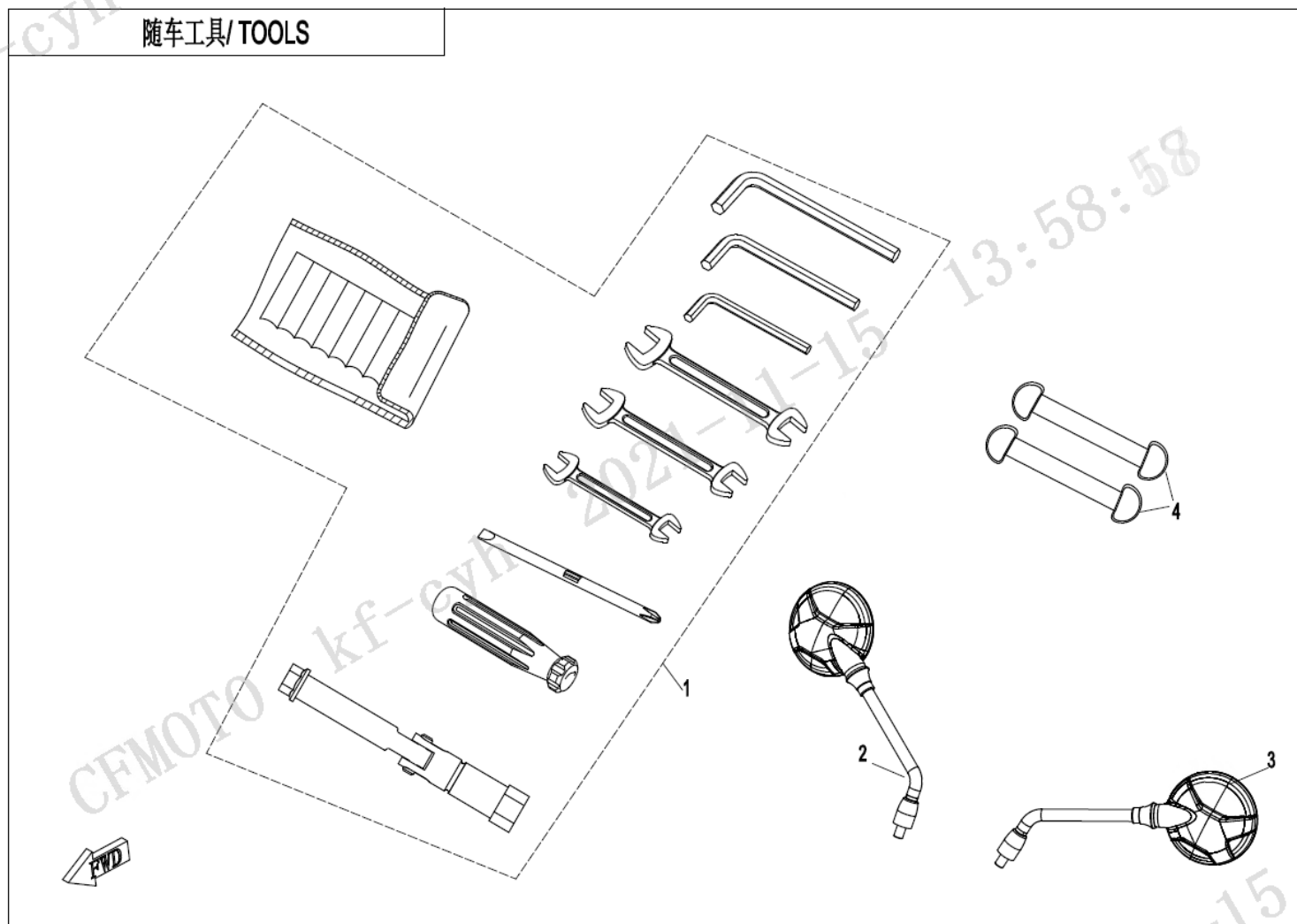
序号	图号	名称	尺寸	数量	材料	表面效果	粘接弧度	粘接表面基材	粘接表面处理	备注
04	6KMV-190104-C000-10	油箱左护板贴花 I	152*146	1	3M 2008透明材料或PVC透明材料	亮光光油	3D大弧度	ABS	烤漆	
05	6KMV-190105-C000-10	油箱左护板贴花 II	223*159	1	PVC透明材料	亮光光油	3D小弧度	ABS	烤漆	有耐磨需求，采用正面印刷+覆膜工艺

POSITION NO.	CODE	EN DESCRIPTION	CN DESCRIPTION	QTY / UNIT	REMARKS
1	6KMV-190101-C000-10	DECAL 1, FUEL TANK RH PANEL	油箱右护板贴花I	1	
2	6KMV-190102-C000-10	DECAL 2, FUEL TANK RH PANEL	油箱右护板贴花II	1	
3	6KMV-190103-C000-10	DECAL 3, FUEL TANK RH PANEL	油箱右护板贴花III	1	
4	6KMV-190104-C000-10	DECAL 1, FUEL TANK LH PANEL	油箱左护板贴花I	1	
5	6KMV-190105-C000-10	DECAL 2, FUEL TANK LH PANEL	油箱左护板贴花II	1	
6	6KMV-190106-C000-10	RH DECAL, FRONT RIM	前轮辋右贴花	1	
7	6KMV-190107-C000-10	LH DECAL, FRONT RIM	前轮辋左贴花	1	
8	6KMV-190108-C000-10	RH DECAL, REAR RIM	后轮辋右贴花	1	
9	6KMV-190109-C000-10	LH DECAL, REAR RIM	后轮辋左贴花	1	
10	6KMV-190111-C000-10	DECAL, TAIL LIGHT RH DECO GUARD	尾灯右装饰罩贴花	1	
11	6KMV-190112-C000-10	DECAL, TAIL LIGHT LH DECO GUARD	尾灯左装饰罩贴花	1	
12	6KMV-190113-C000-10	ABS DECAL	ABS贴花	2	



F19-3-A 装饰盖板立标(星光黑车用) BEACON, DECO PLATE(NEBULA BLACK)

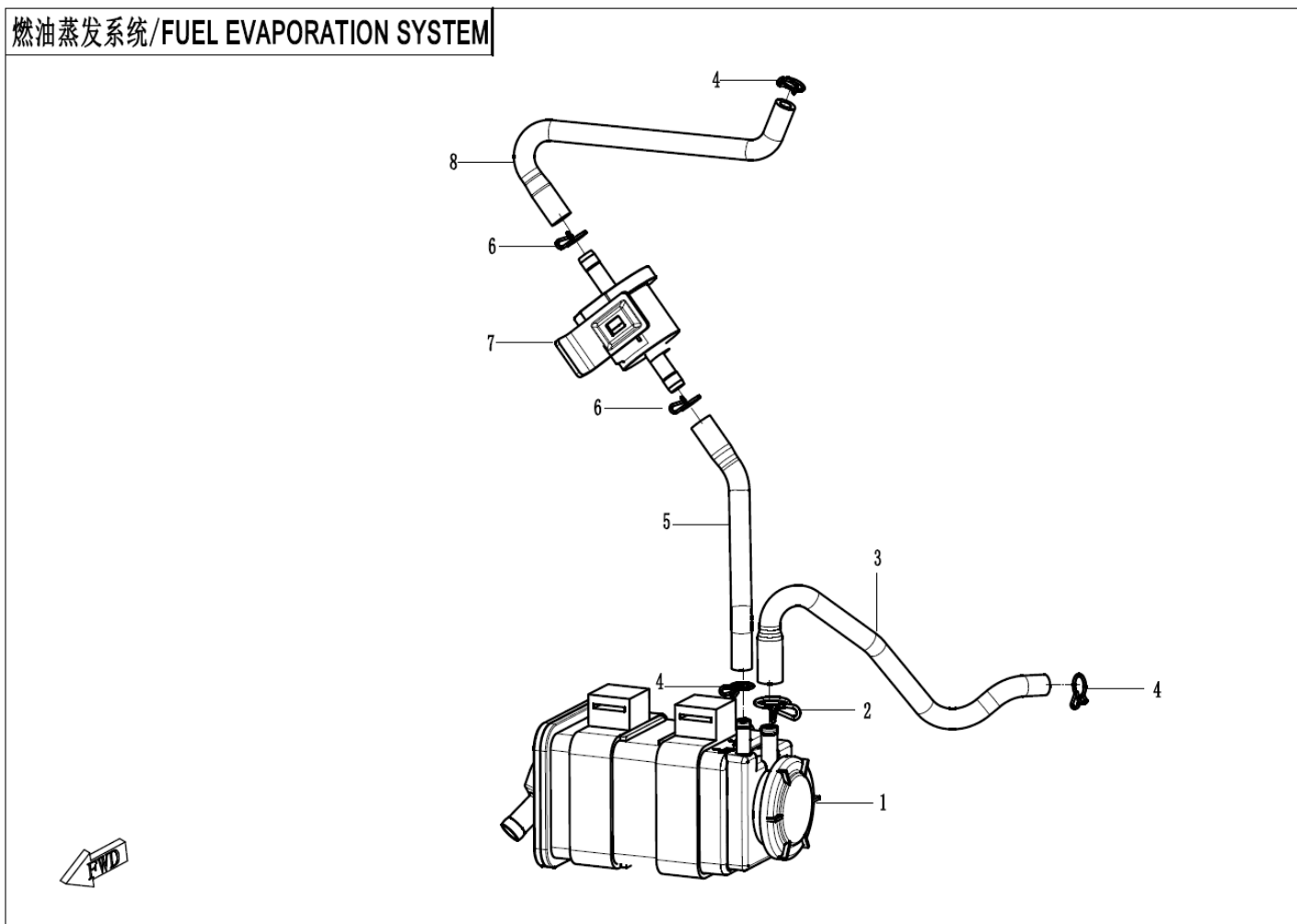
POSITION NO.	CODE	EN DESCRIPTION	CN DESCRIPTION	QTY / UNIT	REMARKS
1	6KMV-190001-C100	LH BEACON, DECO PLATE	装饰盖板左立标	1	
2	6KMV-190002-C100	RH BEACON, DECO PLATE	装饰盖板右立标	1	
1	6KMV-190003-C100	LH BEACON, DECO PLATE	装饰盖板左立标	1	
2	6KMV-190004-C100	RH BEACON, DECO PLATE	装饰盖板右立标	1	



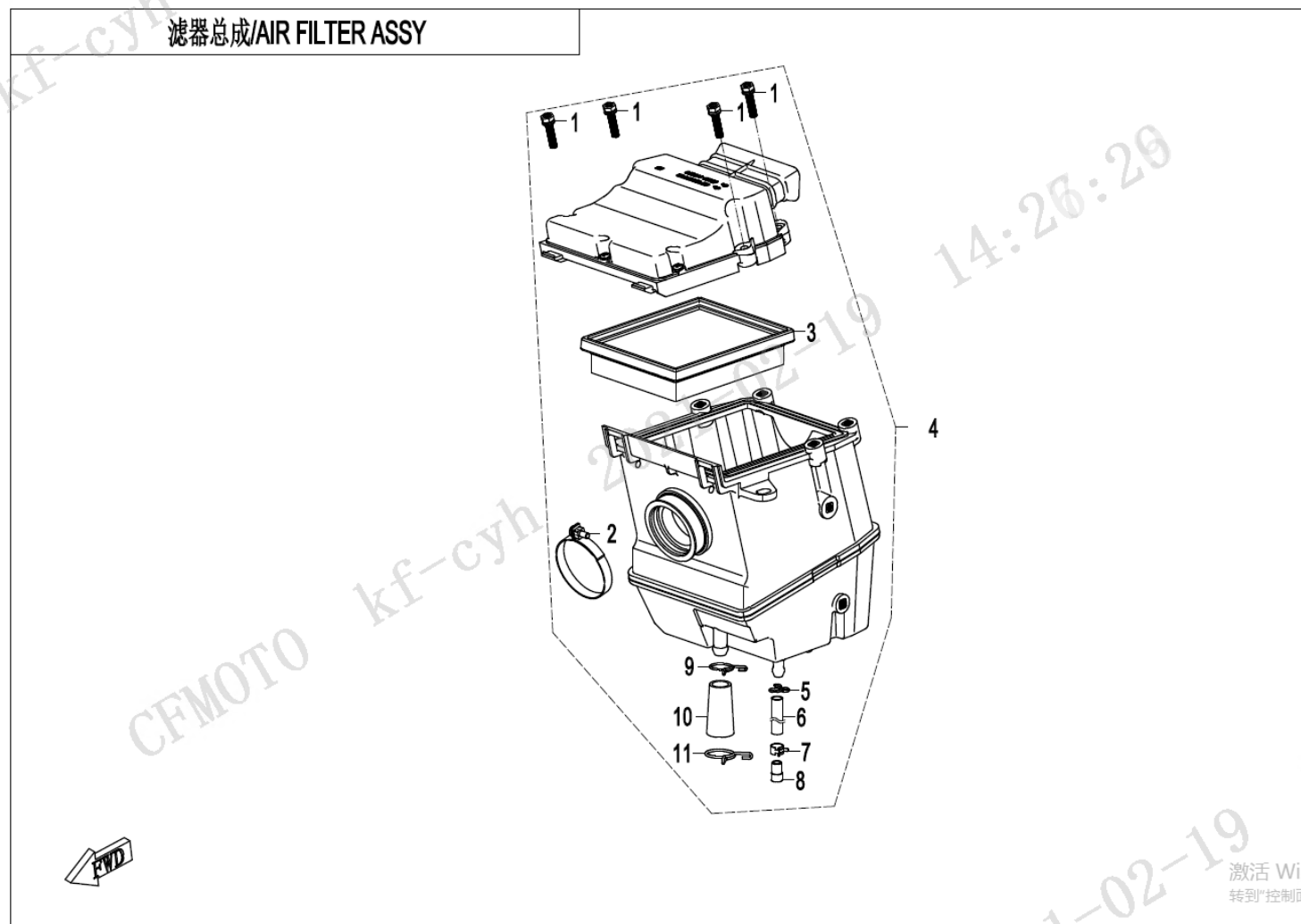
POSITION NO.	CODE	EN DESCRIPTION	CN DESCRIPTION	QTY / UNIT	REMARKS
2	6KMV-200300-C000	RH REAR VIEW MIRROR ASSY	右后视镜总成	1	
3	6KMV-200200-C000	LH REAR VIEW MIRROR ASSY	左后视镜总成	1	
4	8010-000012	TIE BAND ASSY	弹性扣带组件	2	

F36 燃油蒸发系统 FUEL VAPORIZATION SYSTEM

燃油蒸发系统/FUEL EVAPORATION SYSTEM

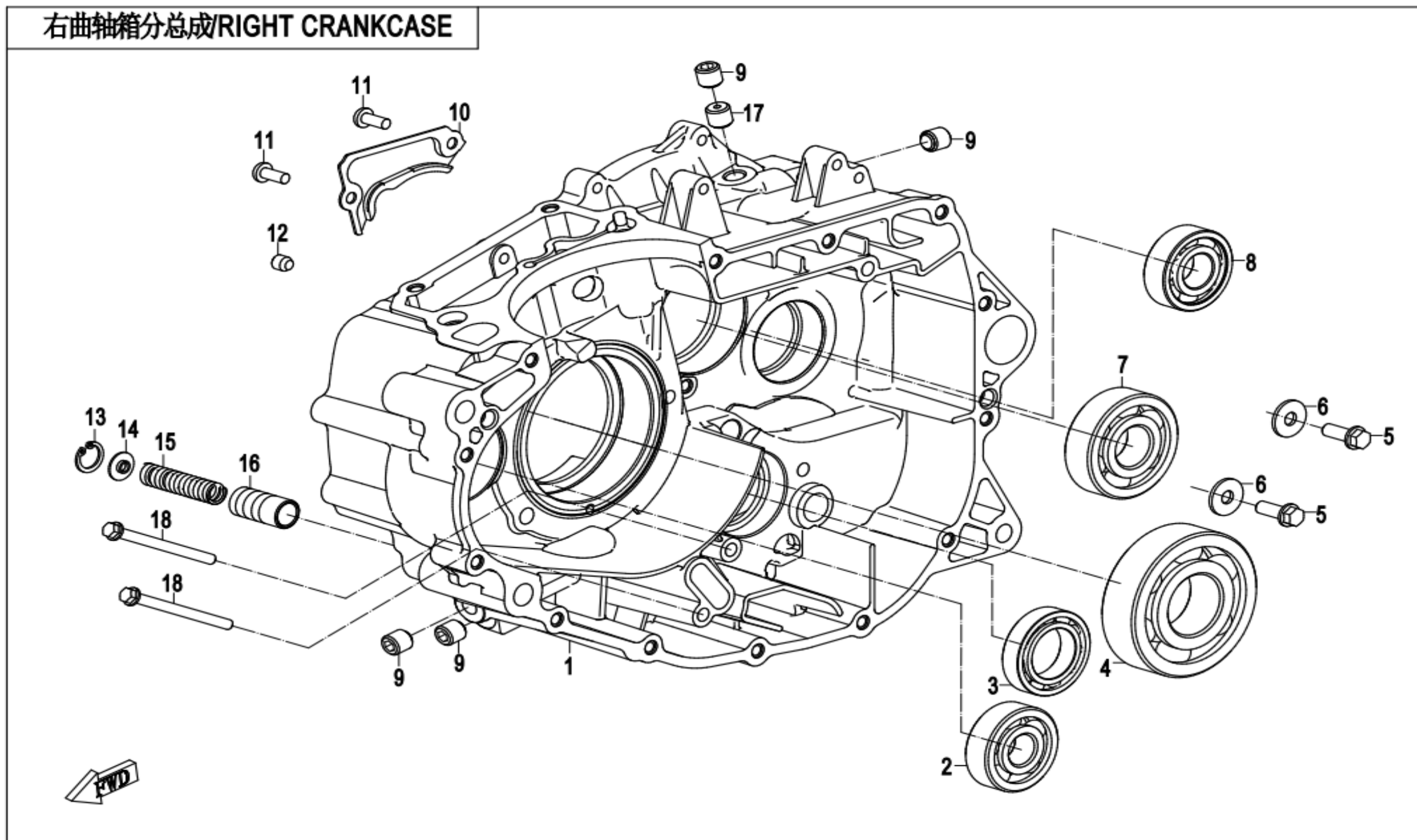


POSITION NO.	CODE	EN DESCRIPTION	CN DESCRIPTION	QTY / UNIT	REMARKS
1	6NT1-360200	CANISTER	炭罐	1	
2	30601-112010	CLAMP A12	环箍	1	
3	6KMV-360003-C000	FUEL VAPOR DESORPTION HOSE	燃油蒸汽脱附管	1	
4	30601-109010	JOINT, HEAT TRANSMIT PIPE	传热水管接头	3	
5	6KMV-360002-C000	FUEL VAPOR ADSORPTION HOSE 2	燃油蒸汽吸附管II	1	
6	30601-110010	CLAMP A10	环箍	1	
7	9GQ0-360100	TWO-WAY VALVE		1	
8	6KMV-360001-C000	FUEL VAPOR ADSORPTION HOSE 1	燃油蒸汽吸附管I	1	



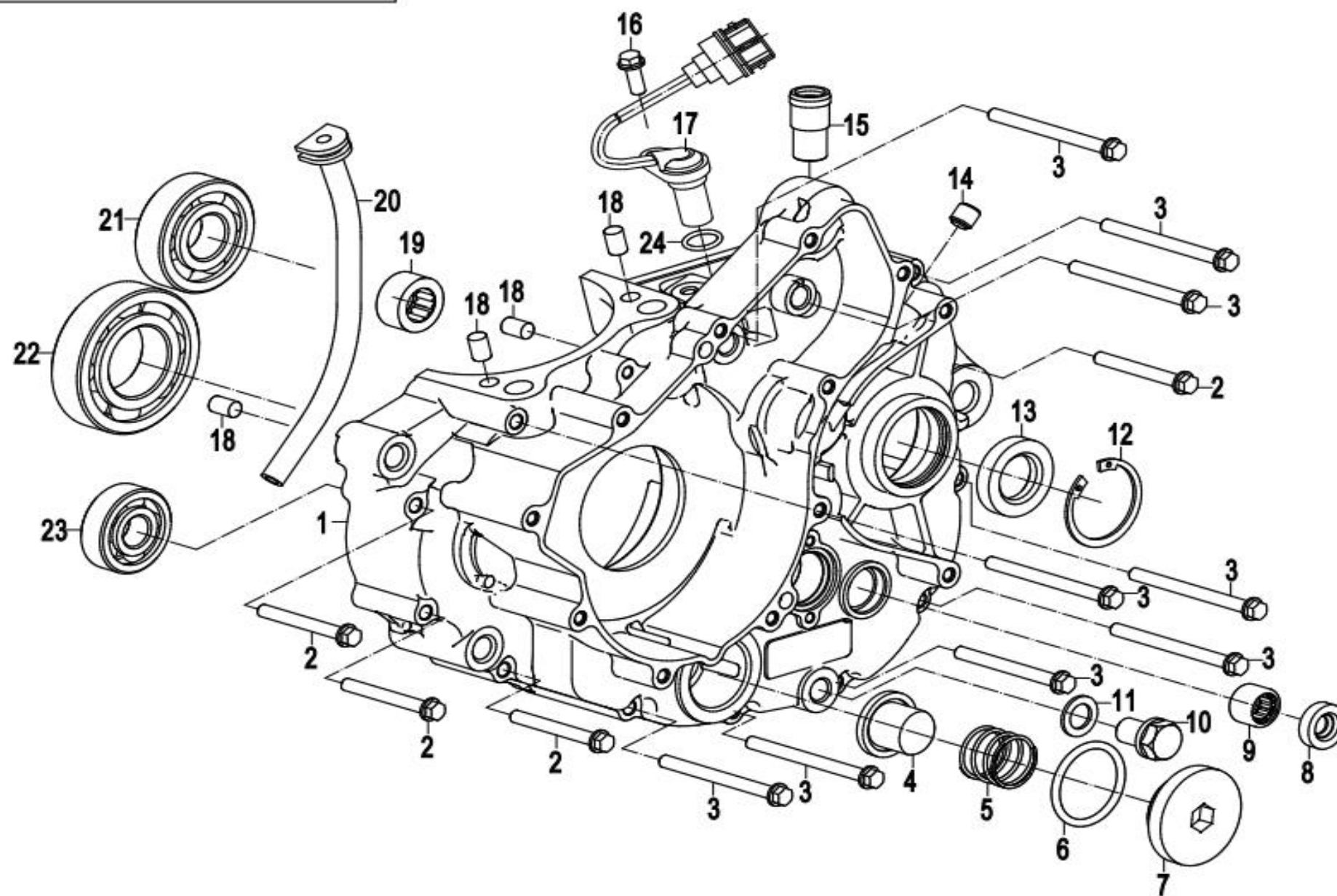
POSITION NO.	CODE	EN DESCRIPTION	CN DESCRIPTION	QTY / UNIT	REMARKS
1	30114-060025470	SCREW ASSY M6x25	螺钉组合件	4	
2	ODM0-110200	CLAMP ASSY	卡箍组件	1	
3	ODM0-110100	AIR FILTER ELEMENT	空滤滤芯组件	1	
4	ODN0-110000-00001	AIR FILTER ASSY	空滤器总成	1	
5	30601-110010	CLAMP A10	环箍	1	
6	ODM0-110010-10000	OIL STORAGE HOSE	储油管	1	
7	30601-210530	CLAMP B10.5	环箍B10.5	1	
8	ODM0-110012	PLUG, OIL STORAGE HOSE	储油管堵头	1	
9	30601-116520	CLAMP A16.5	环箍A16.5	1	
10	ODM0-110009	BREATHER HOSE	通气管	1	
11	30601-120030	CLAMP A20	环箍A20	1	

右曲轴箱分总成/RIGHT CRANKCASE



POSITION NO.	CODE	EN DESCRIPTION	CN DESCRIPTION	QTY / UNIT	REMARKS
1	ODM0-012010-2BP00	RH CRANKCASE ASSY	右曲轴箱组件	1	
2	30499-01507	BEARING	滚动轴承	1	
3	30499-02506	BEARING	滚动轴承	1	
4	30499-03001	BEARING	滚动轴承	1	
5	0010-090005-0010	BOLT M6x16	螺栓	2	
6	30305-060112	WASHER	垫圈	2	
7	30499-02005	BEARING	滚动轴承	1	
8	30499-01701	BEARING	滚动轴承	1	
9	01A0-012010-00001	SCREW	螺钉	4	
10	ODM0-012001	VENTILATED COVER PLATE	通气盖板	1	
11	30105-050012890	SCREW M5x12	螺钉M5×12	2	
12	0A70-013004	PLUG	堵头	1	
13	30800-01405	CIRCLIP FOR HOLE 14	孔用弹性挡圈14	1	
14	0800-073004	SPRING SEAT, RELIEF VALVE	限压阀弹簧座	1	
15	01A0-012007	SPRING, RELIEF VALVE	限压阀弹簧	1	
16	ODM0-012003	CORE, RELIEF VALVE	限压阀芯	1	
17	ODM0-012002	RESTRICTION PLUG	节流塞	1	
18	0020-011018-00001	BOLT	螺栓	2	

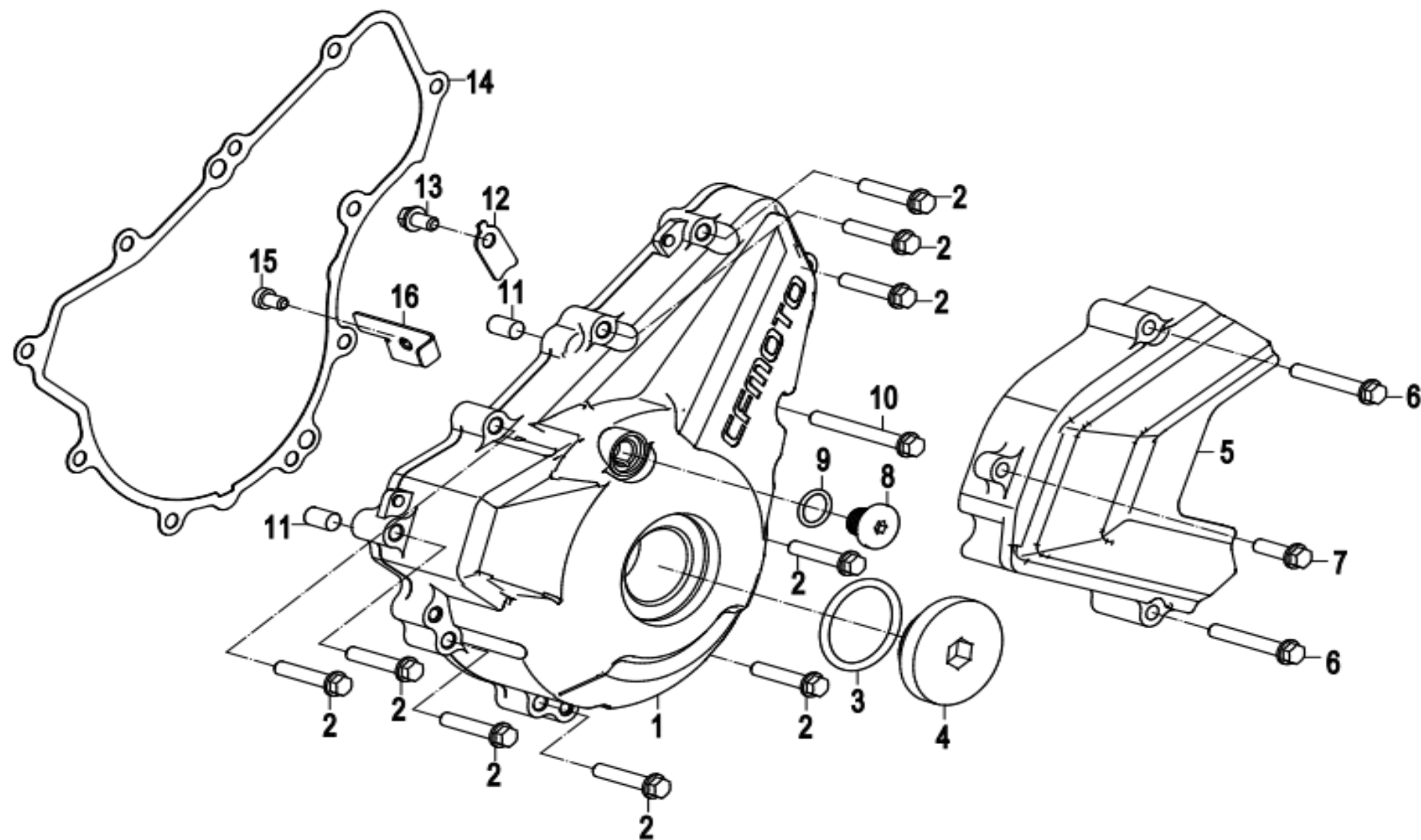
左曲轴箱分总成 LEFT CRANKCASE



POSITION NO.	CODE	EN DESCRIPTION	CN DESCRIPTION	QTY / UNIT	REMARKS
1	ODM0-011010-0BP03	LH CRANKCASE	左曲轴箱组件	1	
2	0010-013010-0010	BOLT M6x50	螺栓	4	
3	0020-011018-00001	BOLT	螺栓	9	
4	ODM0-011030	OIL STRAINER	机油滤网	1	
5	01A0-012009	SCREEN SPRING	滤网压簧	1	
6	01A0-012003	O-SEAL RING 35x3.5	O形密封圈	1	
7	01A0-012002-0HB00	STRAINER COVER	滤网盖	1	
8	0700-065220	OIL SEAL 13x22x5.5	油封	1	
9	30403-01300	NEEDLE BEARING HK1312	滚针轴承HK1312	1	
10	0180-011500	DRAIN BOLT, MAGNETIC M12X1.5	磁性放油螺栓	1	
11	0010-021014	WASHER 12	垫圈12	1	
12	30800-04005	CIRCLIP FOR HOLE	孔用弹性挡圈	1	
13	ODM0-011007	OIL SEAL 22x38x7	油封	1	
14	01A0-012010-00001	SCREW	螺钉	1	
15	0700-011103	PIPE BREATHER	呼吸器通气管	1	
16	0010-090005-0010	BOLT M6x16	螺栓	1	
17	ODM0-011020	SPEED SENSOR	车速传感器	1	
18	30410-00800	ROLLER	圆柱滚子	4	
19	ODM0-011050	BEARING 17x27x13	轴承	1	
20	ODM0-011005	OIL RETURN PIPE,ENGINE	回油管	1	
21	30499-02201	BEARING	滚动轴承	1	
22	30499-03501	BEARING	滚动轴承	1	
23	30499-01507	BEARING	滚动轴承	1	
24	ODM0-011006	O-SEAL RING 13x2	O形密封圈	1	

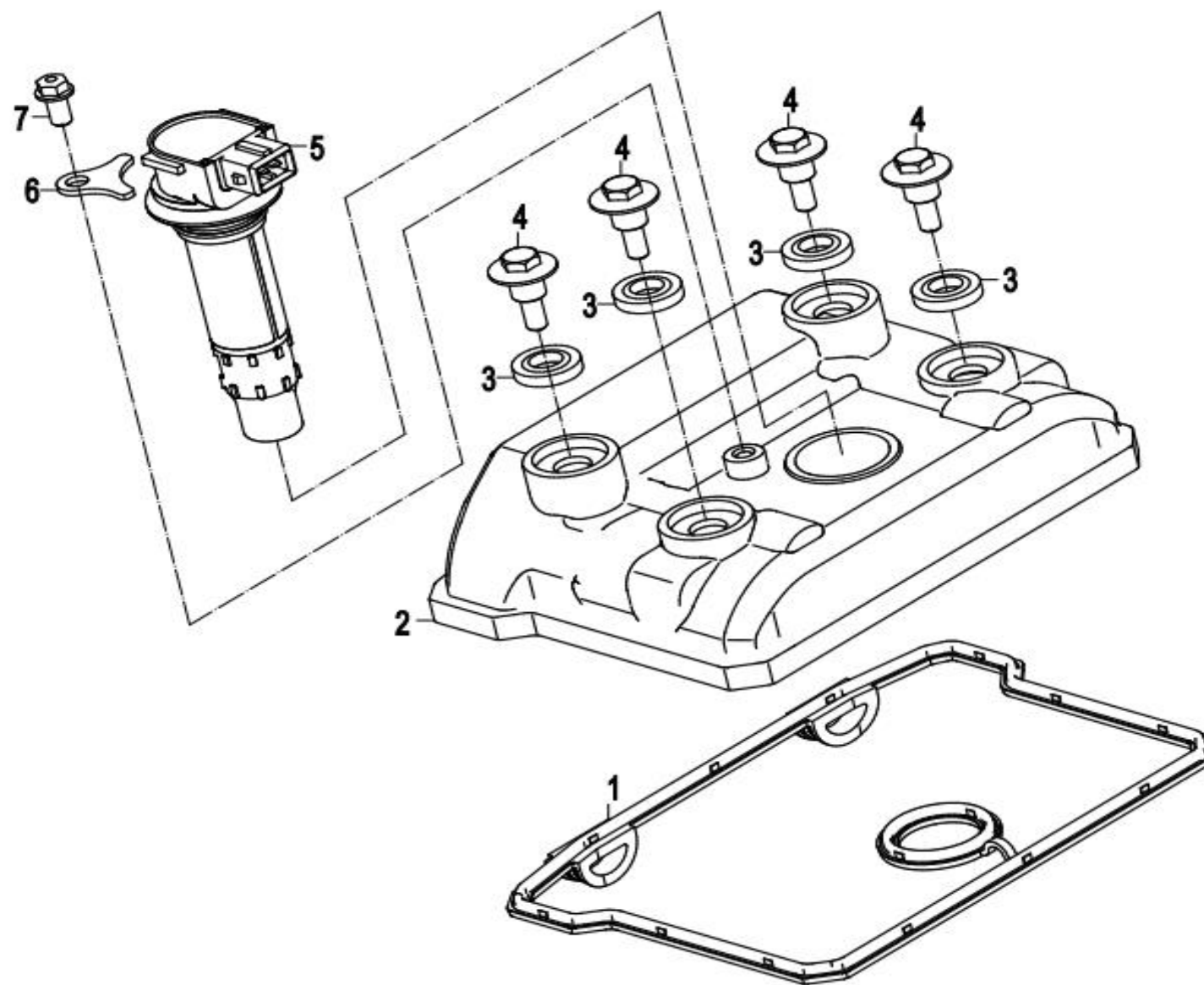
POSITION NO.	CODE	EN DESCRIPTION	CN DESCRIPTION	QTY / UNIT	REMARKS
1	ODMV-013010-1900-0HB00	RH SIDE COVER	右侧盖组件	1	
2	30410-00800	ROLLER	圆柱滚子	2	
3	30502-018000F	O-RING	O形圈	1	
4	ODM0-013002	WATER PIPE	过水管	1	
5	30800-02205	CIRCLIP FOR HOLE	孔用弹性挡圈	1	
6	ODM0-013007	OIL SEAL,CRANKCASE	曲轴油封	1	
7	0A70-013004	PLUG	堵头	1	
8	01A0-012010-00001	SCREW	螺钉	2	
9	ODM0-013001-00001	GASKET, RH SIDE COVER	右侧盖密封垫	1	
10	30403-01200	NEEDLE BEARING HK1210	滚针轴承HK1210	2	
11	0010-080009	OIL SEAL 12x20x5	油封	1	
12	0700-013007	WASHER 12.5x18.5x0.6	垫圈	1	
13	0700-013006-10000	RETURN SPRING, CLUTCH LEVER	离合操纵杆回位扭簧	1	
14	ODM0-013300-30000	CLUTCH CONTROL SHAFT ASSY	离合控制轴组件	1	
15	0110-013030	O-SEAL RING 18x3.55	O形密封圈	1	
16	0700-013008	PLUG, OIL FILLING	加油塞	1	
17	0010-060012-0010	BOLT M6x30	螺栓	11	
18	ODM0-013011-20000	BRACKET, CLUTCH CABLE	离合拉线支架	1	
19	0010-023010-0010	BOLT M6x20	螺栓	4	
20	ODM0-013003-0HB01	STRAINER COVER	机滤盖	1	
21	30502-057000F	O-RING 57x3	O形圈57x3	1	
22	ODM0-013009	SPRING, FILTER ELEMENT	滤芯压簧	1	
23	ODM0-013200	OIL FILTER ASSY, ENGINE	机油滤芯组件	1	
24	ODM0-013008-10000	INSTRUCTION LABEL, OIL FILLING	加油说明标签	1	
25	0700-013100-00001	VIEWER, OIL LEVEL	油面观察窗组合	1	
26	0700-012201	O-SEAL RING 5x2	O形密封圈	1	
27	OHU0-013009	RETAINER	钢丝挡圈	1	

左侧盖分总成 LEFT SIDE COVER



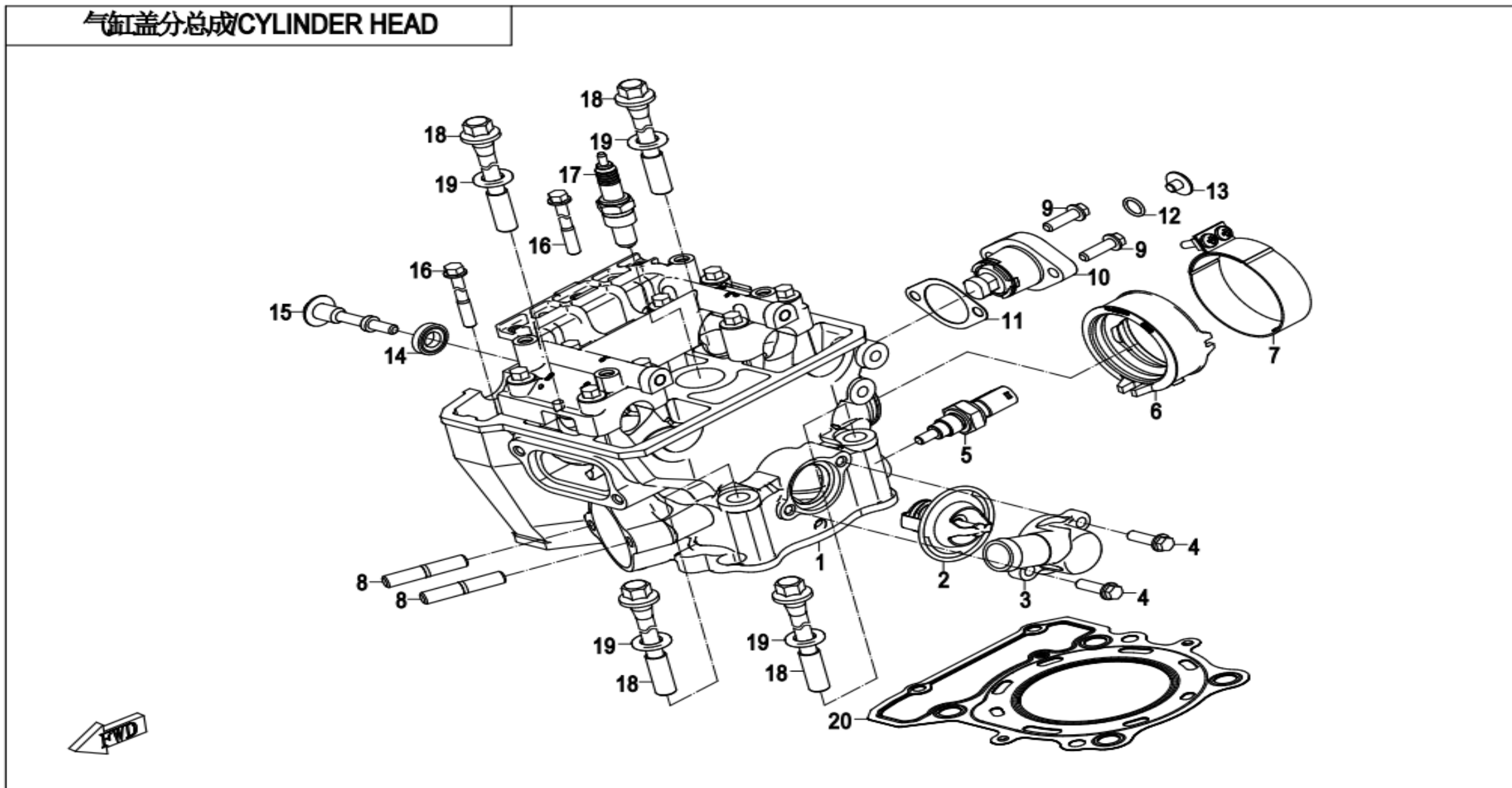
POSITION NO.	CODE	EN DESCRIPTION	CN DESCRIPTION	QTY / UNIT	REMARKS
1	0DMB-014002-0HB00	LH SIDE COVER	左侧盖	1	
2	0010-060012-0010	BOLT M6x30	螺栓	9	
3	01A0-012003	O-SEAL RING 35x3.5	O形密封圈	1	
4	01A0-012002-0HA00	STRAINER COVER	滤网盖	1	
5	0DM0-014100	REAR COVER ASSY, LH	左后盖组合	1	
6	0010-013009-0010	BOLT M6x40	螺栓	2	
7	0010-023010-0010	BOLT M6x20	螺栓	1	
8	0DM0-014003	VIEWING HOLE, TIMING INSPECTION	正时观察孔盖	1	
9	01A0-013005	O-SEAL RING	O形密封圈	1	
10	0010-013010-0010	BOLT M6x50	螺栓	1	
11	30410-00800	ROLLER	圆柱滚子	2	
12	0DM0-014004	FIXING PAD, HARNESS	线束固定片	1	
13	0010-080010-0010	BOLT M6x10	螺栓	1	
14	0DM0-014001-00001	GASKET, LH SIDE COVER	左侧盖密封垫	1	
15	30102-050012810	SCREW M5x12	螺钉	1	
16	0A80-014005	WIRE CLAMP	导线压板	1	

气缸盖罩分总成 CYLINDER HEAD COVER



POSITION NO.	CODE	EN DESCRIPTION	CN DESCRIPTION	QTY / UNIT	REMARKS
1	ODM0-021100	SEAL RING ASSY, CYLINDER HEAD COVER	气缸盖罩密封圈组件	1	
2	ODM0-021001-0HB00	CYLINDER HEAD COVER	气缸盖罩	1	
3	0700-021200	SEAL RING, CYLINDER HEAD COVER BOLT	气缸盖罩螺栓密封圈	4	
4	0700-021003-00001	BOLT, CYLINDER HEAD COVER	气缸盖罩螺栓	4	
5	ODM0-178000	IGNITION COIL	点火线圈	1	
6	ODM0-021002	PRESS PLATE	压板	1	
7	0010-021019-0010	BOLT M6x12	螺栓	1	

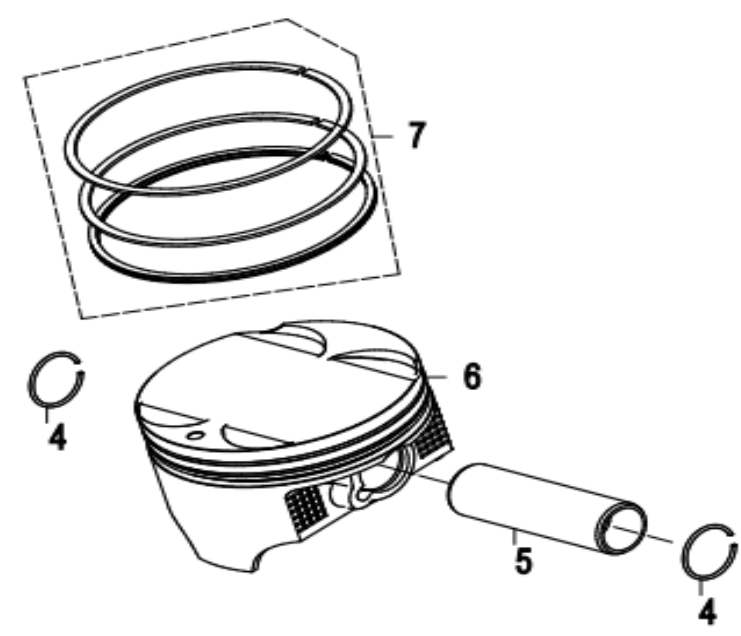
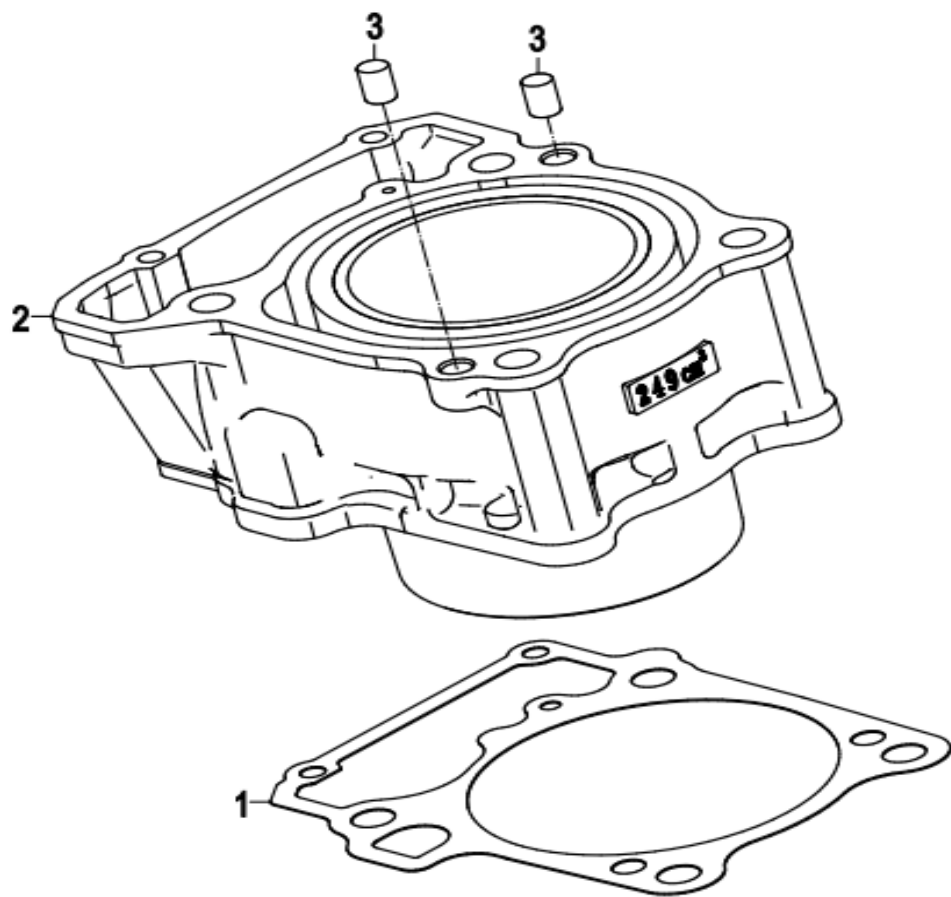
E02-2 气缸盖分总成 CYLINDER COVER



POSITION NO.	CODE	EN DESCRIPTION	CN DESCRIPTION	QTY / UNIT	REMARKS
1	ODM0-022200-1BP00	CYLINDER BODY ASSY	气缸盖部件	1	
2	ODM0-022400	THERMOSTAT ASSY	恒温器组件	1	
3	ODM0-022005-0BP00	THERMOSTAT CAP	节温器盖	1	
4	0010-023010-0010	BOLT M6x20	螺栓	2	
5	018B-022810	WATER TEMPERATURE SENSOR	水温传感器	1	
6	ODM0-022006	CONNECTING PIPE, THROTTLE BODY	节气门体连接管	1	
7	ODM0-022300	CLAMP, CONNECTING PIPE	连接管卡箍组件	1	
8	0180-022003-00001	STUD M8x42	双头螺柱	4	
9	0010-080013-0010	BOLT M6x22	螺栓	2	
10	ODM0-024500-10001	TENSIONER ASSY	张紧器组件	1	
11	ODM0-024011	SEALING GASKET, TENSIONER	张紧器密封垫	1	
12	0060-022001	O-SEAL RING 10x1.6	O形密封圈10×1.6	1	

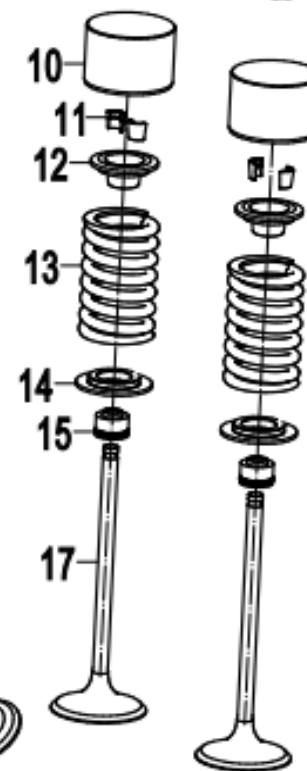
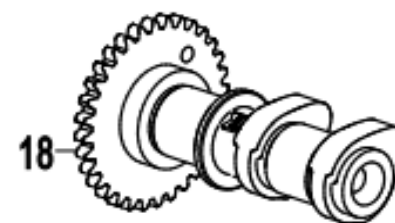
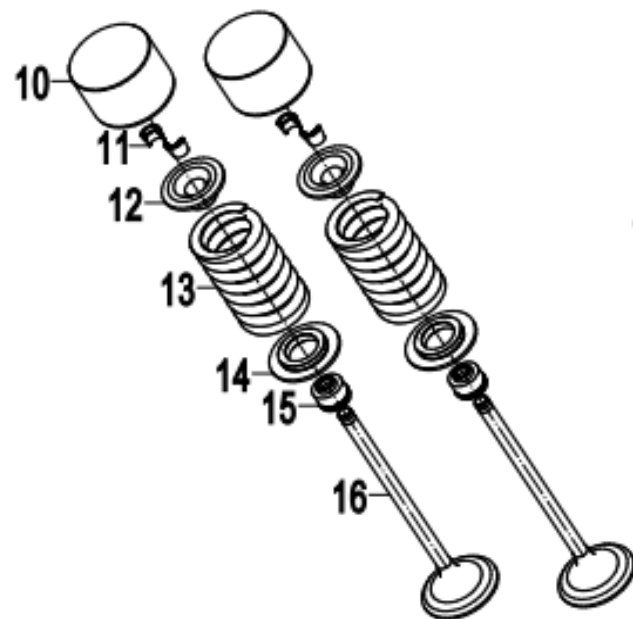
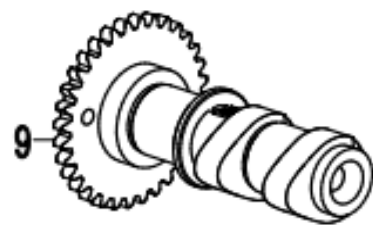
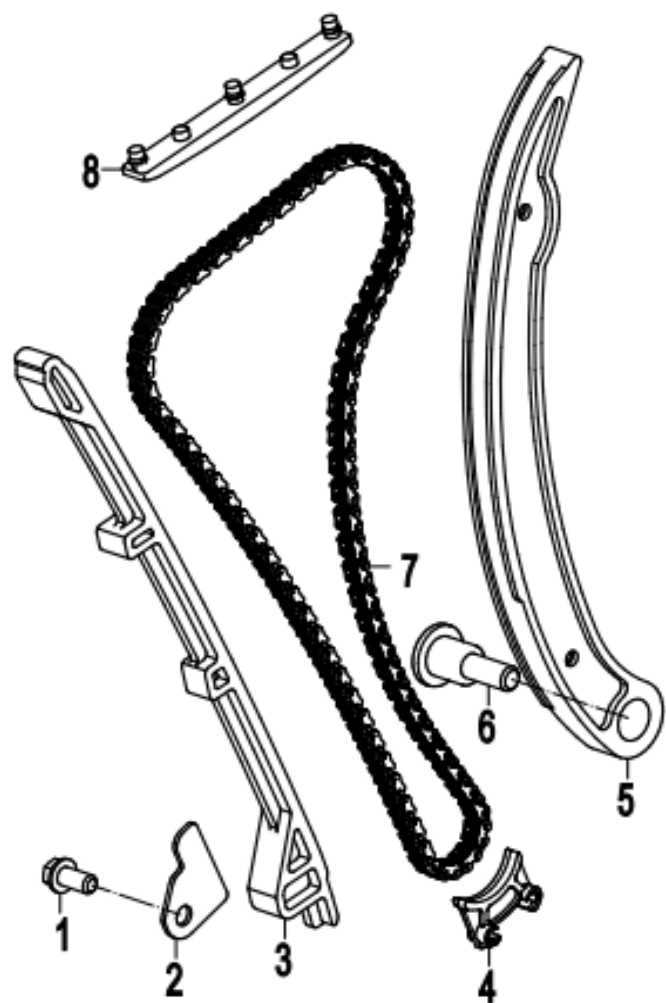
13	0JYA-023001-00001	HEX FLANGE BOLT M6x6	六角大法兰面螺栓_M6X6	1
14	0700-021200	SEAL RING, CYLINDER HEAD COVER BOLT	气缸盖罩螺栓密封圈	1
15	0DM0-022008-00001	DAMPING BOLT, CYLINDER HEAD	缸盖减震螺栓	1
16	0010-011016-00001	BOLT	螺栓	2
17	0700-170200	SPARK PLUG	火花塞组件	1
18	0700-012013-00002	BOLT	螺栓	4
19	0700-022016	WASHER 10.5x19x2.3	垫圈	4
20	0DM0-022100	GASKET KIT, CYLINDER HEAD	气缸盖垫片组件	1

气缸和活塞/CYLINDER&PISTON



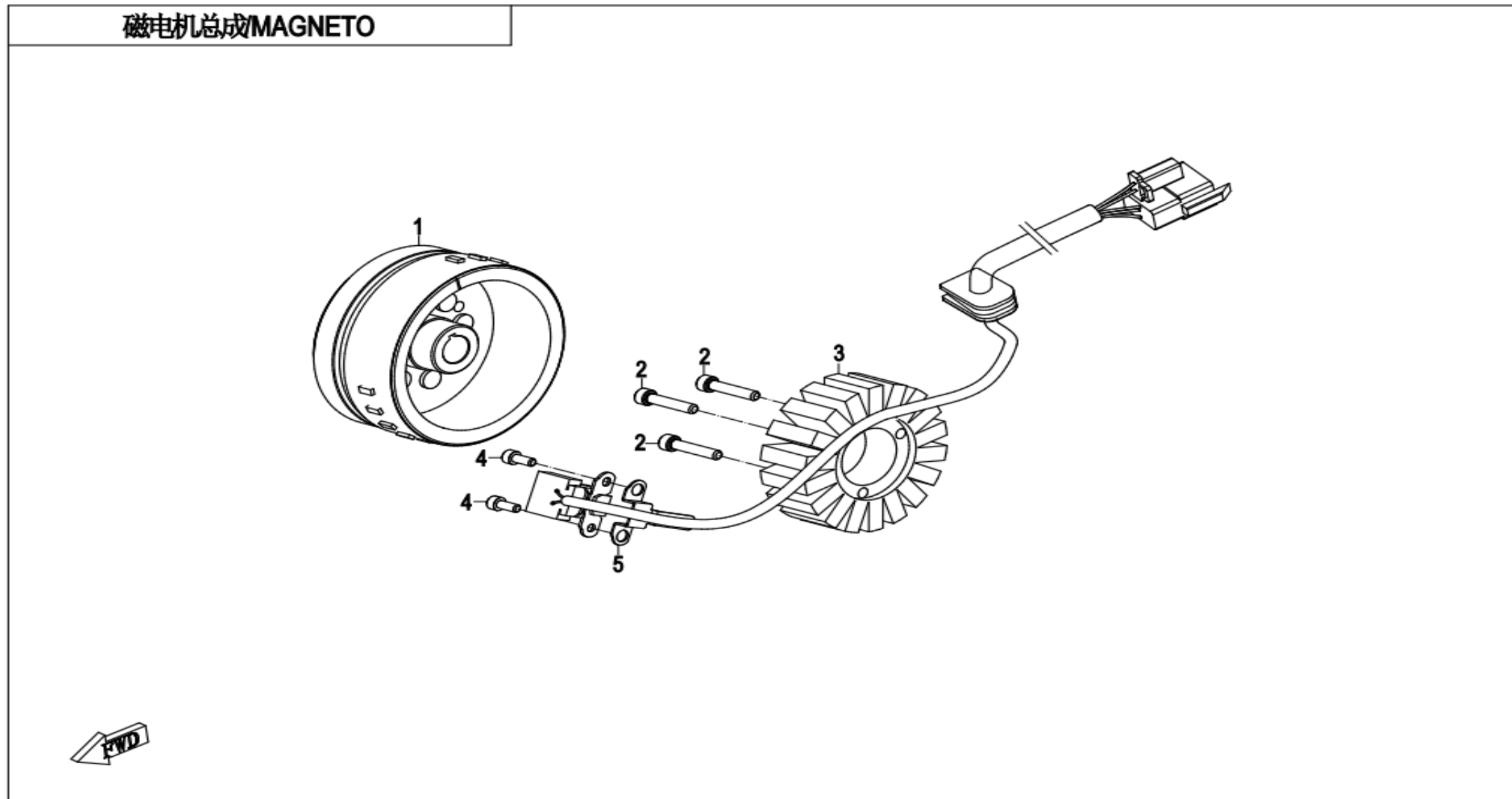
POSITION NO.	CODE	EN DESCRIPTION	CN DESCRIPTION	QTY / UNIT	REMARKS
1	ODM0-023001-10000	SEAL GASKET, CYLINDER	气缸体密封垫	1	
2	ODM0-023100-0BP11	CYLINDER BODY ASSY	气缸体组件	1	
3	30410-00800	ROLLER	圆柱滚子	2	
4	0110-040006-0050	CIRCLIP, PISTON PIN	活塞销挡圈	2	
5	ODM0-040008	PISTON PIN	活塞销	1	
6	ODM0-040007-00011	PISTON	活塞	1	
7	ODM0-040100	PISTON RING ASSY	活塞环组合	1	

配气传动分总成CAMSHAFT



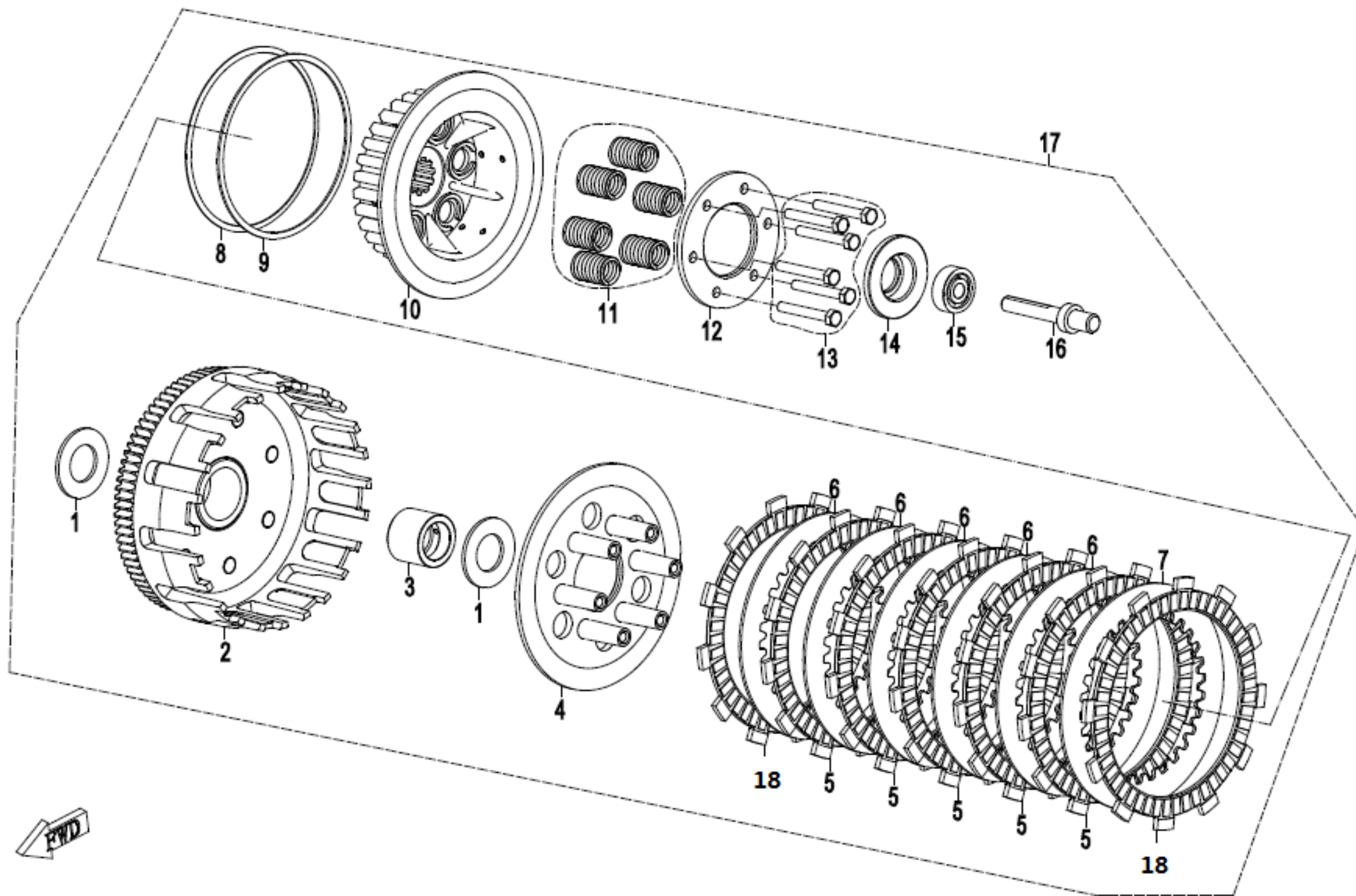
POSITION NO.	CODE	EN DESCRIPTION	CN DESCRIPTION	QTY / UNIT	REMARKS
1	0010-021019-0010	BOLT M6x12	螺栓	1	
2	0DM0-024002	STOPPER, CHAIN GUIDE	链条导板限位板	1	
3	0DM0-024008	CHAIN GUIDE	链条导板	1	
4	0DM0-024009	CHAIN GUARD	链条护卡	1	
5	0DM0-024400	TENSION PLATE ASSY	张紧板组件	1	
6	0DM0-024001	PIN SHAFT	螺纹销轴	1	
7	0DM0-024300	TIMING CHAIN	正时链条组件	1	
8	0DM0-024005	CHAIN GUIDE BLOCK	导链块	1	
9	0DM0-024200-10000	CAMSHAFT, AIR EXHAUST	排气凸轮轴组件	1	
10	0700-022005-0090	TAPPET	挺柱	4	
10	0700-022005-0100	TAPPET	挺柱	4	
10	0700-022005-0110	TAPPET	挺柱	4	
10	0700-022005-0120	TAPPET	挺柱	4	
10	0700-022005-0130	TAPPET	挺柱	4	
10	0700-022005-0140	TAPPET	挺柱	4	
10	0700-022005-0150	TAPPET	挺柱	4	
10	0700-022005-0160	TAPPET	挺柱	4	
10	0700-022005-0170	TAPPET	挺柱	4	
10	0700-022005-0180	TAPPET	挺柱	4	
10	0700-022005-0190	TAPPET	挺柱	4	
10	0700-022005-0200	TAPPET	挺柱	4	
10	0700-022005-0210	TAPPET	挺柱	4	
10	0700-022005-0220	TAPPET	挺柱	4	
10	0700-022005-0230	TAPPET	挺柱	4	
10	0700-022005-0240	TAPPET	挺柱	4	
10	0700-022005-0250	TAPPET	挺柱	4	
10	0700-022005-0260	TAPPET	挺柱	4	
10	0700-022005-0270	TAPPET	挺柱	4	
10	0700-022005-0280	TAPPET	挺柱	4	
10	0700-022005-0290	TAPPET	挺柱	4	
10	0700-022005-0300	TAPPET	挺柱	4	
10	0700-022005-0310	TAPPET	挺柱	4	
10	0700-022005-0320	TAPPET	挺柱	4	
10	0700-022005-0330	TAPPET	挺柱	4	
10	0700-022005-0340	TAPPET	挺柱	4	
10	0700-022005-0350	TAPPET	挺柱	4	
10	0700-022005-0360	TAPPET	挺柱	4	
10	0700-022005-0370	TAPPET	挺柱	4	
10	0700-022005-0380	TAPPET	挺柱	4	
10	0700-022005-0390	TAPPET	挺柱	4	
10	0700-022005-0400	TAPPET	挺柱	4	
10	0700-022005-0410	TAPPET	挺柱	4	
10	0700-022005-0420	TAPPET	挺柱	4	
10	0700-022005-0430	TAPPET	挺柱	4	
10	0700-022005-0440	TAPPET	挺柱	4	
10	0700-022005-0450	TAPPET	挺柱	4	
10	0700-022005-0460	TAPPET	挺柱	4	
10	0700-022005-0470	TAPPET	挺柱	4	
10	0700-022005-0480	TAPPET	挺柱	4	
10	0700-022005-0490	TAPPET	挺柱	4	
10	0700-022005-0500	TAPPET	挺柱	4	

10	0700-022005-0510	TAPPET	挺柱	4
10	0700-022005-0520	TAPPET	挺柱	4
10	0700-022005-0530	TAPPET	挺柱	4
10	0700-022005-0540	TAPPET	挺柱	4
11	0700-022004	LOCK CLIP, VALVE	气门锁夹	8
12	0700-022003	UPPER SEAT, VALVE SPRING	气门弹簧上座	4
13	0700-022007-10000	SPRING, VALVE	气门弹簧	4
14	0700-022006	LOWER SEAT, VALVE SPRING	气门弹簧下座	4
15	0700-022400-1000	SEAL RING, VALVE STEM	气门杆密封圈组件	4
16	ODM0-022002-00001	AIR EXHAUST VALVE	排气门	2
17	ODM0-022001-00001	AIR INTAKE VALVE	进气门	2
18	ODM0-024100-10000	CAMSHAFT, AIR INTAKE	进气凸轮轴组件	1



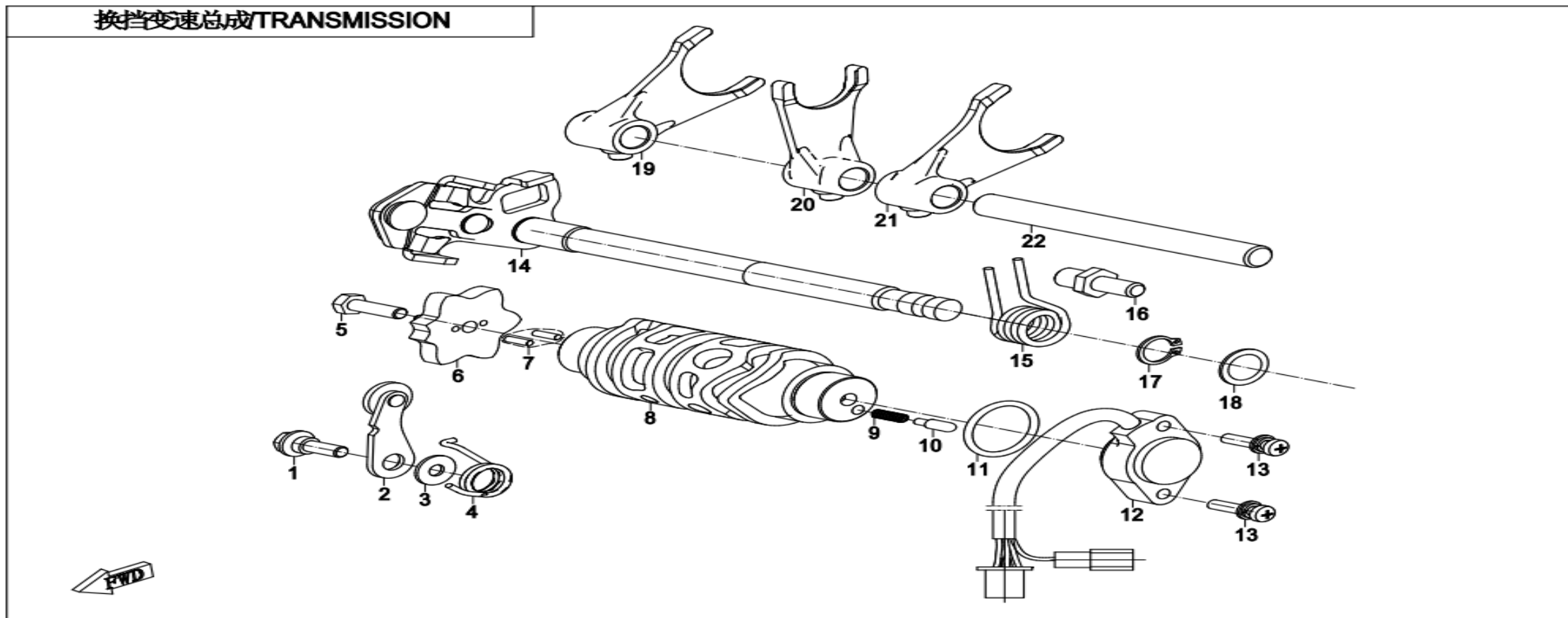
POSITION NO.	CODE	EN DESCRIPTION	CN DESCRIPTION	QTY / UNIT	REMARKS
1	ODM0-031000-10001	MAGNETO ROTOR ASSY	磁电机转子组合	1	
2	0060-030003-00001	INNER HEX BOLT	内六角圆柱头螺栓	3	
3	ODMV-032000-0001	MAGNETO STATOR ASSY	磁电机定子组合	1	
4	30102-050012810	SCREW M5x12	螺钉	2	
5	ODM0-030001	CABLE FIX BRACKET, TRIGGER	触发器固线板	1	

E12 离合器总成/CLUTCH ASSY



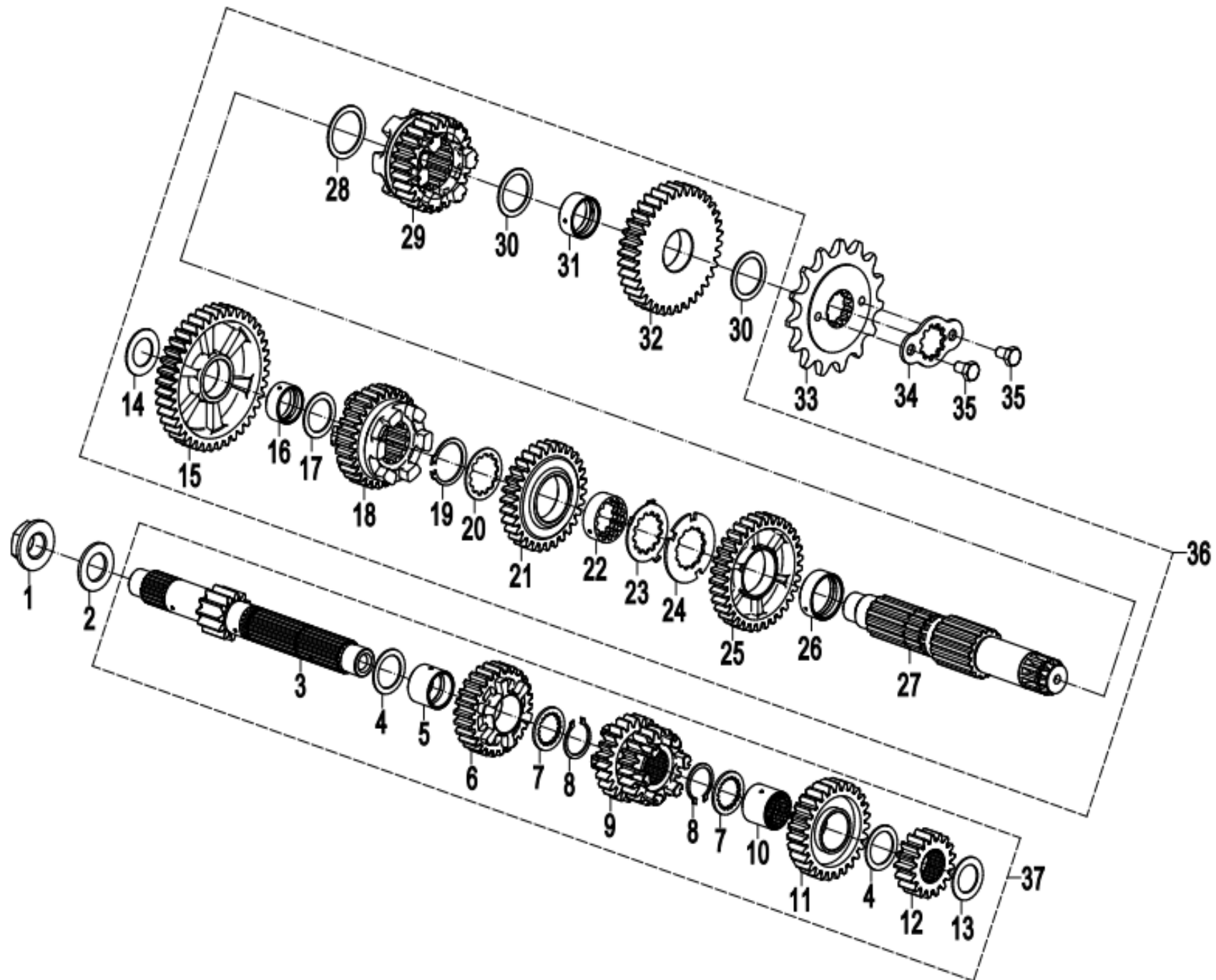
POSITION NO.	CODE	EN DESCRIPTION	CN DESCRIPTION	QTY / UNIT	REMARKS
1	ODM0-050004	WASHER 20x37x2	垫圈	2	
2	ODM0-051000	PRIMARY DRIVEN GEAR ASSY	初级从动齿轮组合	1	
3	ODM0-050003	COLLAR	轴套	1	
4	ODM0-052006	PRESSURE PLATE	压盘	1	
5	ODM0-052200	FRICTION DISC ASSY	摩擦片组件	5	
6	ODM0-052005	DRIVEN DISC 1	从动片I	5	
7	ODM0-052007	DRIVEN DISC 2	从动片II	1	
8	ODM0-052004-10000	BELLE SPRING	碟形弹簧	1	
9	ODM0-052003-10000	SPRING SEAT	碟簧座	1	
10	ODM0-052100	SLEEVE	中心套	1	
11	ODM0-052002	PRESS SPRING	压簧	6	
12	ODM0-052001	LIFT-SLAB	升板	1	
13	ODM0-052008	BOLT M5x25	螺栓	6	
14	ODM0-050002	BEARING SEAT	轴承座	1	
15	30400-00802	BEARING	滚动轴承	1	
16	ODM0-050001-10000	DAMPER ROD	顶杆	1	
17	ODM0-050000-30001	CLUTCH ASSY	离合器总成	1	
18	ODM0-052300-00001	FRICTION DISC ASSY 1	摩擦片组件I	2	

E06-1 换档变速总成(1) TRANSMISSION(1)

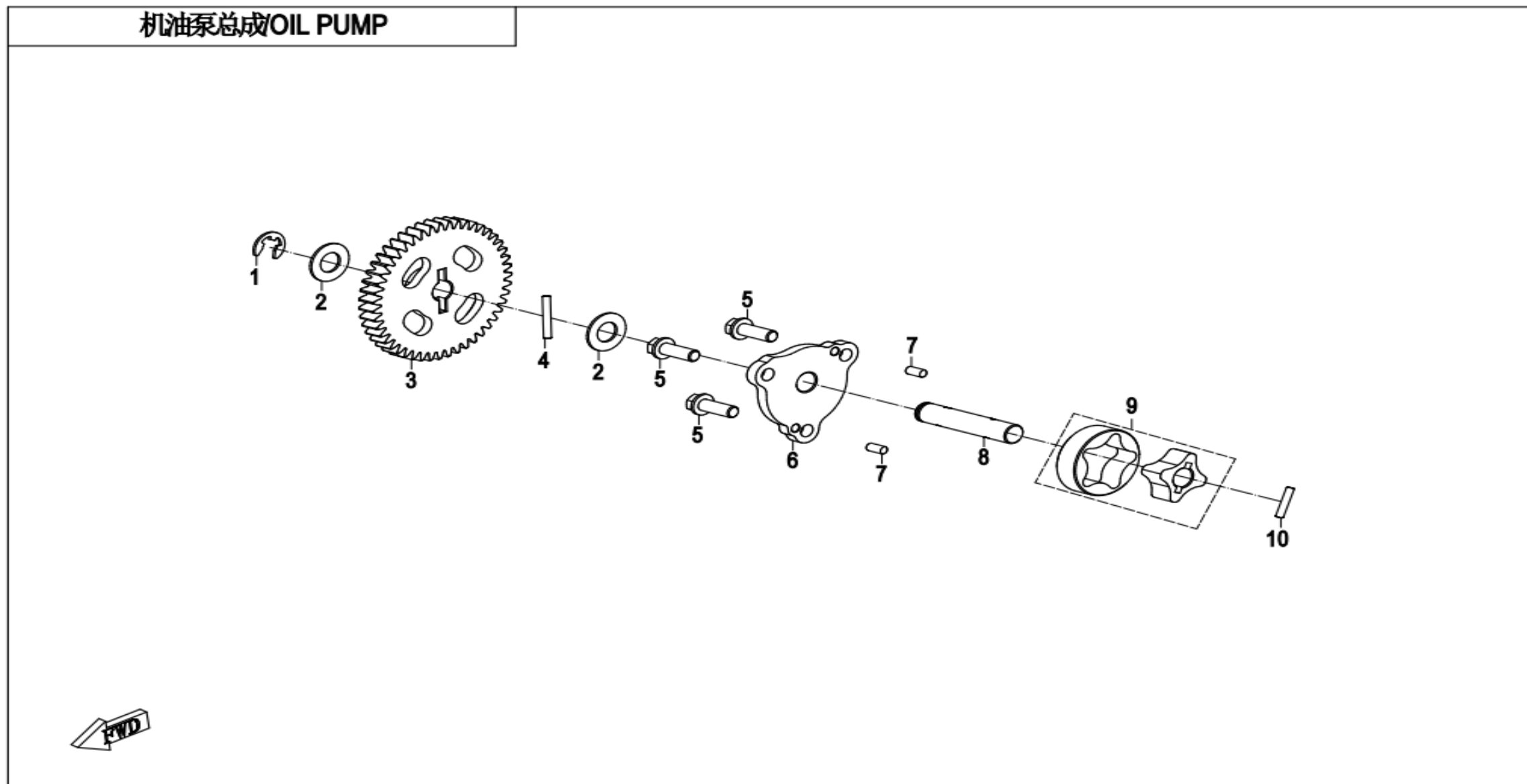


POSITION NO.	CODE	EN DESCRIPTION	CN DESCRIPTION	QTY / UNIT	REMARKS
1	0A70-065001-00001	BOLT, GEARSHIFT CAM	变档凸轮定位螺栓	1	
2	0DM0-065100-00001	SWING ARM, GEARSHIFT	换档定位摇臂分部件	1	
3	0700-064001	WASHER	垫圈	1	
4	0DM0-065001	SPRING, SWING ARM, GEARSHIFT	换档定位摇臂扭簧	1	
5	30004-060016110	BOLT M6x16	螺栓	1	
6	0DM0-064002	CAM, GEARSHIFT DRUM	定位星轮	1	
7	30406-00303	NEEDLE BEARING	滚针	2	
8	0DM0-064001-00001	SHIFT DRUM	变速毂	1	
9	0A70-064003	SPRING	触头弹簧	2	
10	0A70-064004	CONTACTOR, GEAR SWITCH	档位开关触头	2	
11	0A70-060014	O-RING 26.2x2.4	O形圈	1	
12	0A8V-066000-1001	GEAR POSITION SENSOR	档位接触器	1	
13	30116-050020410	SCREW ASSY M5x20	螺钉组合件	2	
14	0DM0-063100-00001	GEARSHIFT ROD ASSY	换档杆焊接组件	1	
15	0DM0-063001	RETURN SPRING, GEARSHIFT	换档杆回位扭簧	1	
16	0DM0-063002-00001	SHIFT POSITION SPRING PIN	换档定位扭簧销	1	
17	30801-01405	CIRCLIPS FOR SHAFT14	轴用弹性挡圈	1	
18	0DM0-063003	WASHER 14x20x1	垫圈	1	
19	0DM0-060006	SHIFT FORK, RH	换档拨叉(右)	1	
20	0DM0-060005	SHIFT FORK, MID	换档拨叉(中)	1	
21	0DM0-060004	SHIFT FORK, LH	换档拨叉(左)	1	
22	0DM0-060003	FORK SHAFT	拨叉轴	1	

换档变速总成 TRANSMISSION

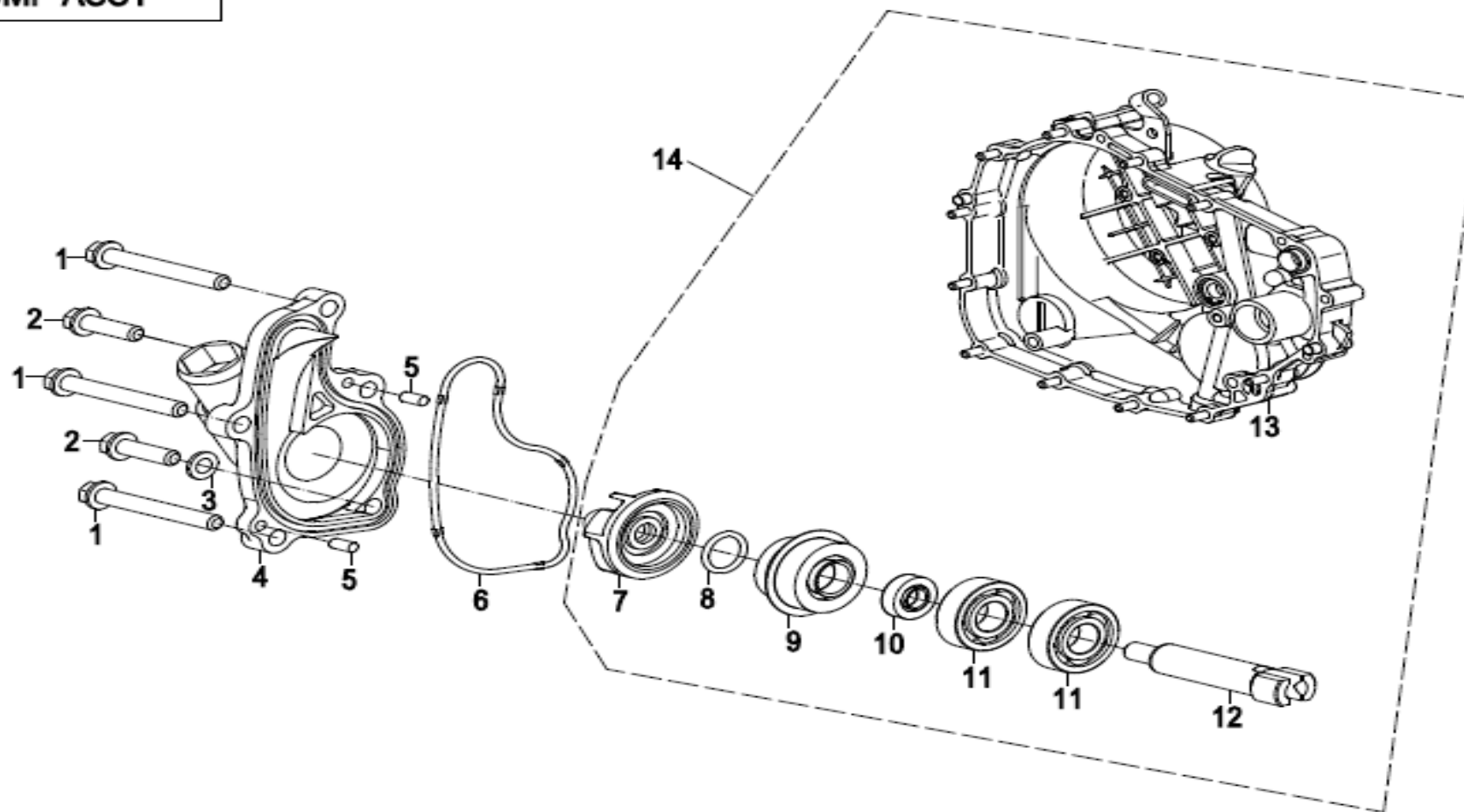


POSITION NO.	CODE	EN DESCRIPTION	CN DESCRIPTION	QTY / UNIT	REMARKS
1	0110-040001-00002	NUT	螺母	1	
2	ODM0-040003	CIRCLIP16	弹性垫圈16	2	
3	ODM0-061001	DRIVE SHAFT	主轴	1	
4	ODM0-061006	WASHER 20x27x1	垫圈	2	
5	ODM0-061007	BUSHING 20x23x17.2	衬套	1	
6	ODM0-061004	5TH GEAR, DRIVE	五档主动齿轮	1	
7	ODM0-061008	SPLINE WASHER 20x26x1.6	花键垫圈	2	
8	ODM0-061012	CIRCLIPS FOR SHAFT 20	轴用弹性挡圈20	2	
9	ODM0-061003	3RD<(>&<)>4TH GEAR, DRIVE	三四档主动齿轮	1	
10	ODM0-061009	SPLINE SLEEVE 23	花键套23	1	
11	ODM0-061005	6TH GEAR, DRIVE	六档主动齿轮	1	
12	ODM0-061002	2ND GEAR, DRIVE	二档主动齿轮	1	
13	ODM0-061011	WASHER 17x26x1	垫圈	1	
14	ODM0-062021	LOCK WASHER 17x28x1	锁止垫圈	1	
15	ODM0-062002	1ST GEAR, DRIVEN	一档从动齿轮	1	
16	ODM0-062019	BUSHING 20x23x10.5	衬套	1	
17	ODM0-062018	WASHER 20	止推垫圈20	1	
18	ODM0-062006	5TH GEAR, DRIVEN	五档从动齿轮	1	
19	ODM0-062017	CIRCLIPS FOR SHAFT 25	轴用弹性挡圈25	1	
20	ODM0-062016	SPLINE WASHER 25x31x1	花键垫圈	1	
21	ODM0-062005	4TH GEAR, DRIVEN	四档从动齿轮	1	
22	ODM0-062015	SPLINE SLEEVE 25x10	花键套	1	
23	ODM0-062014	LOCK WASHER 25	锁止垫圈25	1	
24	ODM0-062013	SPLINE WASHER 25x42x1.6	花键垫圈	1	
25	ODM0-062004	3RD GEAR, DRIVEN	三档从动齿轮	1	
26	ODM0-062012	BUSHING 25x28x10	衬套	1	
27	ODM0-062001	SECONDARYSHAFT	副轴	1	
28	ODM0-062011	WASHER 25x32x1	垫圈	1	
29	ODM0-062007	6TH GEAR, DRIVEN	六档从动齿轮	1	
30	ODM0-062008	WASHER 22x29x1	垫圈	2	
31	ODM0-062009	BUSHING 22x25x11	衬套	1	
32	ODM0-062003	2ND GEAR, DRIVEN	二档从动齿轮	1	
33	ODM0-060001-00001	DRIVE SPROCKET	主动链轮	1	
34	ODM0-060002	GUARD, SPROKET	链轮挡板	1	
35	30004-060010850	BOLT M6x10	螺栓	2	
36	ODM0-062000	COUNTERSHAFT ASSY	副轴组合	1	
37	ODM0-061000	MAIN SHAFT ASSY	主轴组合	1	

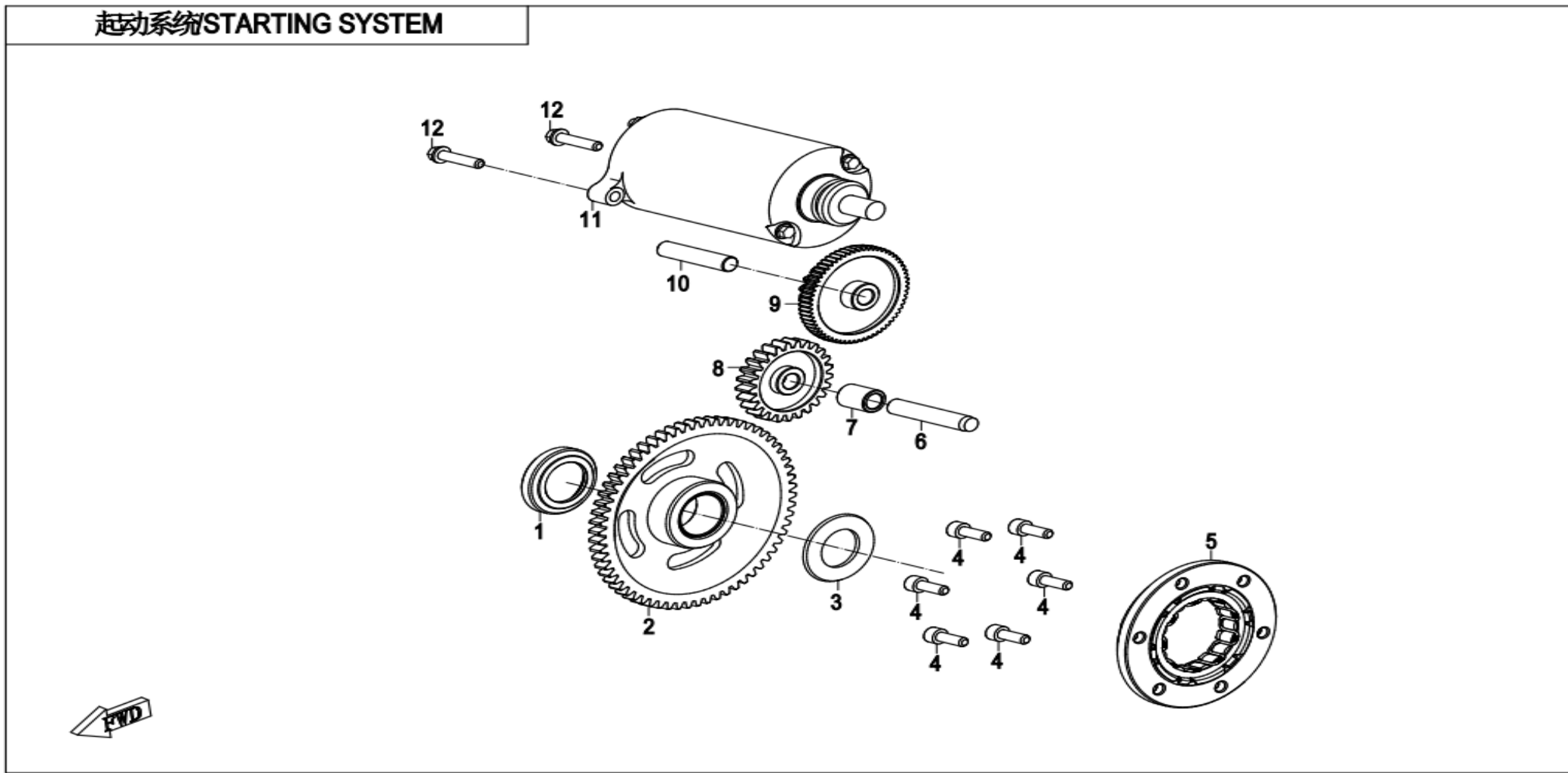


POSITION NO.	CODE	EN DESCRIPTION	CN DESCRIPTION	QTY / UNIT	REMARKS
1	30802-00805	SPLIT WASHER	开口挡圈	1	
2	0800-011005	WASHER 10	垫圈10	2	
3	ODM0-070003	GEAR, OIL PUMP	机油泵齿轮	1	
4	30406-00300	ROLLER NEEDLE	滚针	1	
5	0010-090005-0010	BOLT M6x16	螺栓	3	
6	ODM0-070002	COVER, OIL PUMP	机油泵盖	1	
7	30406-00401	ROLLER NEEDLE P4x7.8	滚针P4x7.8	2	
8	ODM0-070001	SHAFT,OIL PUMP	机油泵轴	1	
9	ODM0-070100	ROTOR ASSY, OIL PUMP	机油泵转子组合	1	
10	30406-00304	ROLLER NEEDLE	滚针	1	

E16 水泵总成 WATER PUMP ASSY

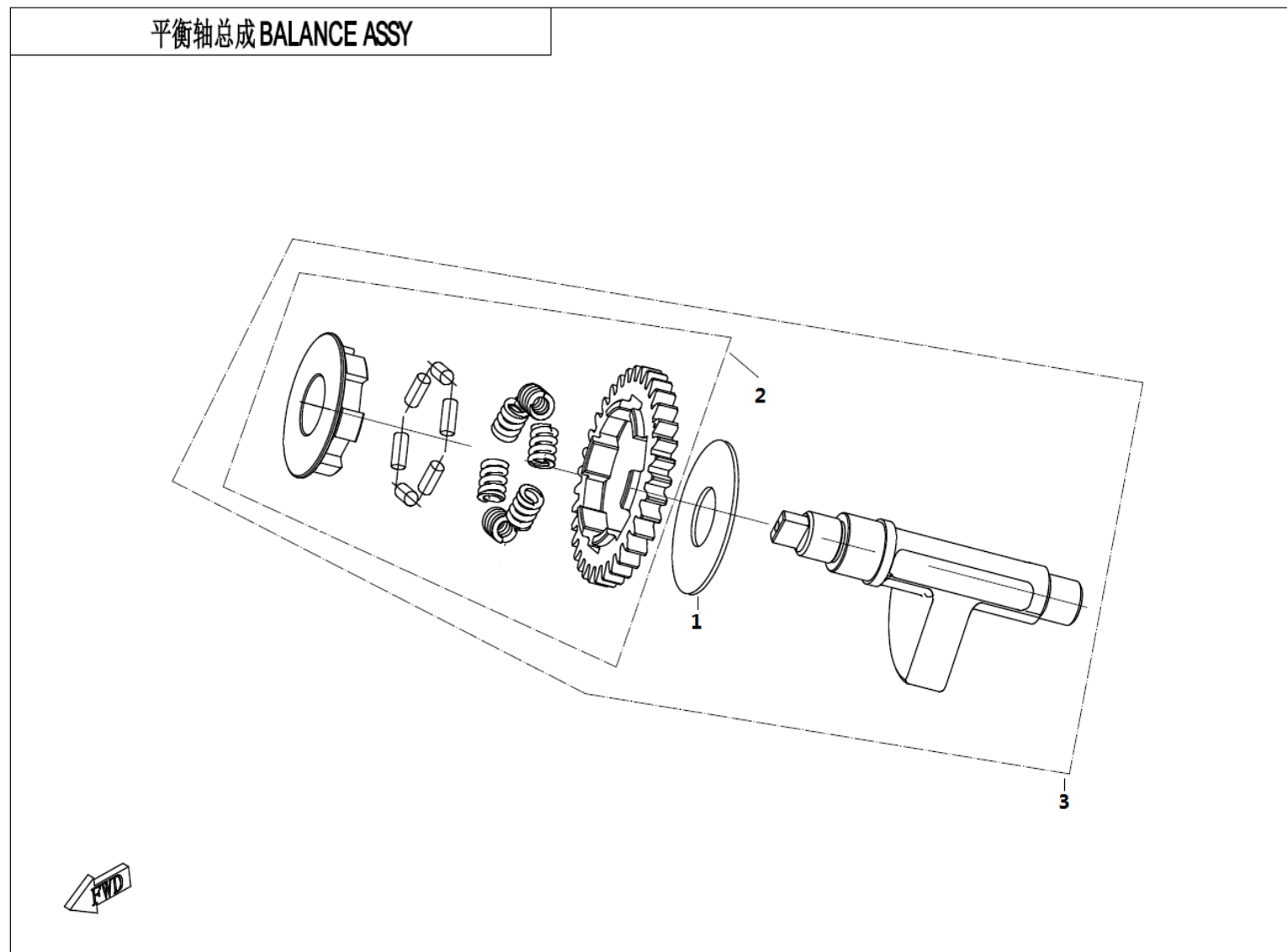


POSITION NO.	CODE	EN DESCRIPTION	CN DESCRIPTION	QTY / UNIT	REMARKS
1	0180-013208-0010	BOLT M6x45	螺栓	3	
2	0010-023010-0010	BOLT M6x20	螺栓	2	
3	0010-060009	WASHER	垫圈6	1	
4	ODM0-080100-0HB01	WATER PUMP COVER ASSY	水泵盖组件	1	
5	30406-00401	ROLLER NEEDLE P4x7.8	滚针P4x7.8	2	
6	ODM0-080003	SEAL RING, WATER PUMP COVER	水泵盖密封圈	1	
7	ODM0-080002	IMPELLER, WATER PUMP	水泵叶轮	1	
8	01A0-013005	O-SEAL RING	O形密封圈	1	
9	OJWA-081000	WATER SEAL ASSY	水封组件	1	
10	0010-080009	OIL SEAL 12x20x5	油封	1	
11	30400-01207	ROLLER BEARING	滚动轴承6001	2	
12	ODM0-080001-00001	SHAFT, WATER PUMP	水泵轴	1	
13	ODMB-013005-1HA00	RH SIDE COVER	右侧盖	1	



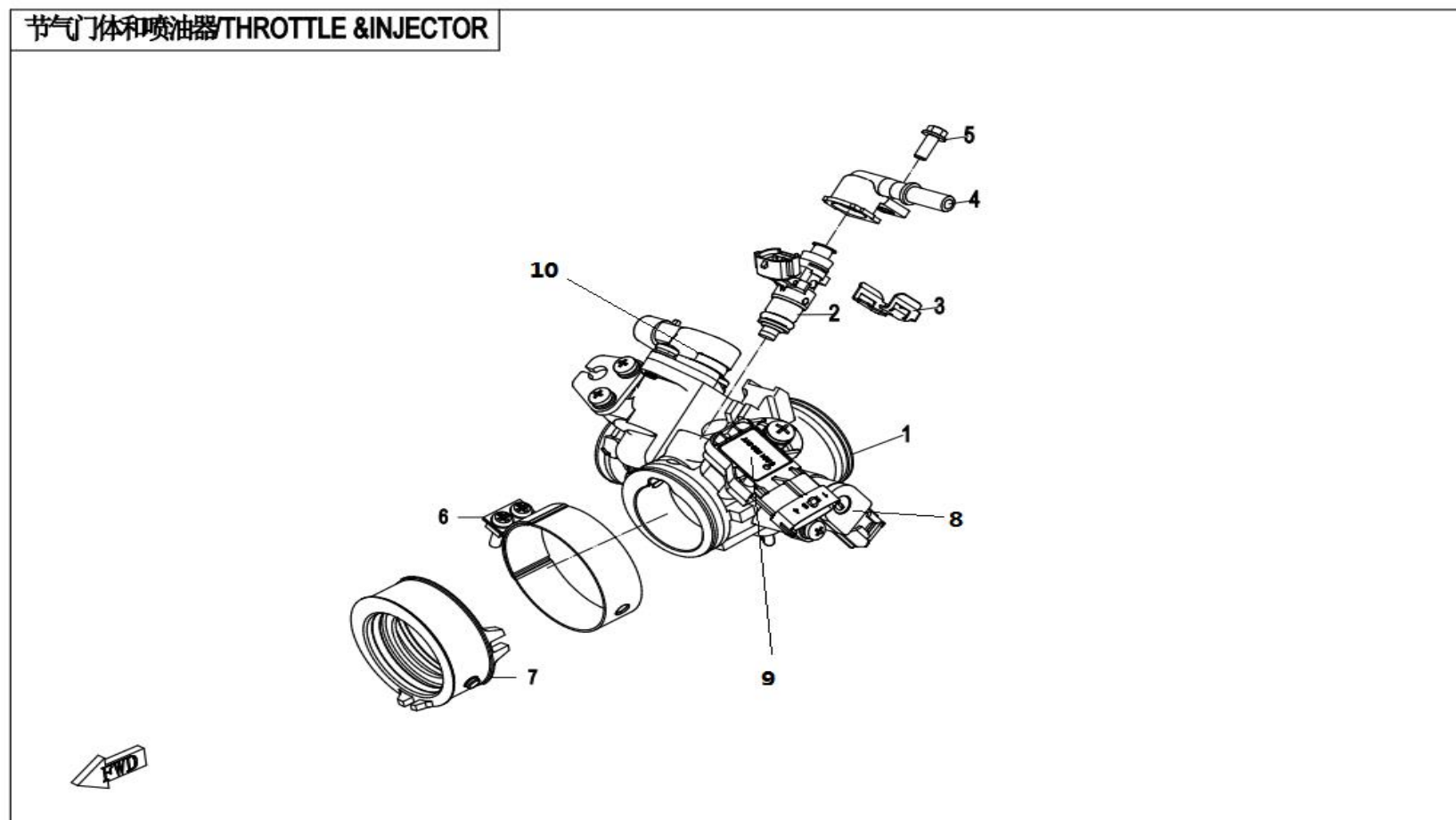
POSITION NO.	CODE	EN DESCRIPTION	CN DESCRIPTION	QTY / UNIT	REMARKS
1	ODM0-090007	SPACER RING	隔环	1	
2	ODM0-092000-00001	GEAR ASSY, STARTING MOTOR	起动大齿轮组件	1	
3	ODM0-090001	WASHER 27x44x1	垫圈	1	
4	30102-060016810	SCREW	螺钉	6	
5	ODM0-091000	OVERRIDING CLUTCH	超越离合器组件	1	
6	0800-011202	SHAFT, BREATHER	呼吸器轴	1	
7	ODM0-090004	BUSHING, MIDDLE GEAR	中间齿轮衬套	1	
8	ODM0-090002-00001	STARTING GEAR	起动中间齿轮	1	
9	ODM0-090006	DUAL GEAR	双联齿轮	1	
10	ODM0-090005	AXLE, DUAL GEAR	双联齿轮轴	1	
11	ODM0-093000	STARTING MOTOR	起动电机组件	1	
12	0010-021017-0010	BOLT M6x25	螺栓	2	

E16 平衡轴总成 BALANCER SHAFT



POSITION NO.	CODE	EN DESCRIPTION	CN DESCRIPTION	QTY / UNIT	REMARKS
1	ODM0-160002	WASHER 20x5x1.5	垫圈	1	
2	ODM0-162000-00020	DRIVEN GEAR ASSY, BALANCER SHAFT	平衡轴从动齿轮组合	1	
3	ODM0-160000-10020	BALANCER SHAFT ASSY	平衡轴总成	1	

E17-B 节气门体和喷油器 THROTTLE & INJECTOR



POSITION NO.	CODE	EN DESCRIPTION	CN DESCRIPTION	QTY / UNIT	REMARKS
1	ODM#-170030-1100	THROTTLE BODY ASSY	节气门体总成	1	
2	ODM0-171000	FUEL INJECTOR	喷油器	1	
3	ODM0-173002	CIRCLIP	卡簧	1	
4	ODM0-173001	INJECTOR CAP	喷油器帽	1	
5	0700-012013-00001	BOLT M5x12	螺栓	1	
6	ODM0-022300	CLAMP, CONNECTING PIPE	连接管卡箍组件	1	
7	ODM0-022006	CONNECTING PIPE, THROTTLE BODY	节气门体连接管	1	
8	0A80-173100	THROTTLE POSITION SENSOR	节气门位置传感器	1	
9	OJY0-175000	T-MAP	进气温度、压力传感器	1	
10	ODM0-173200-10000	STEPPER MOTOR	步进电机	1	

