



THIS CATALOGUE IS ONLY APPLICABLE FOR 250SR 2020~2021



NEBULA BLACK 2020



NEBULA WHITE 2020



TORQUISE BLUE 2020~2021



NEBULA BLACK 2021



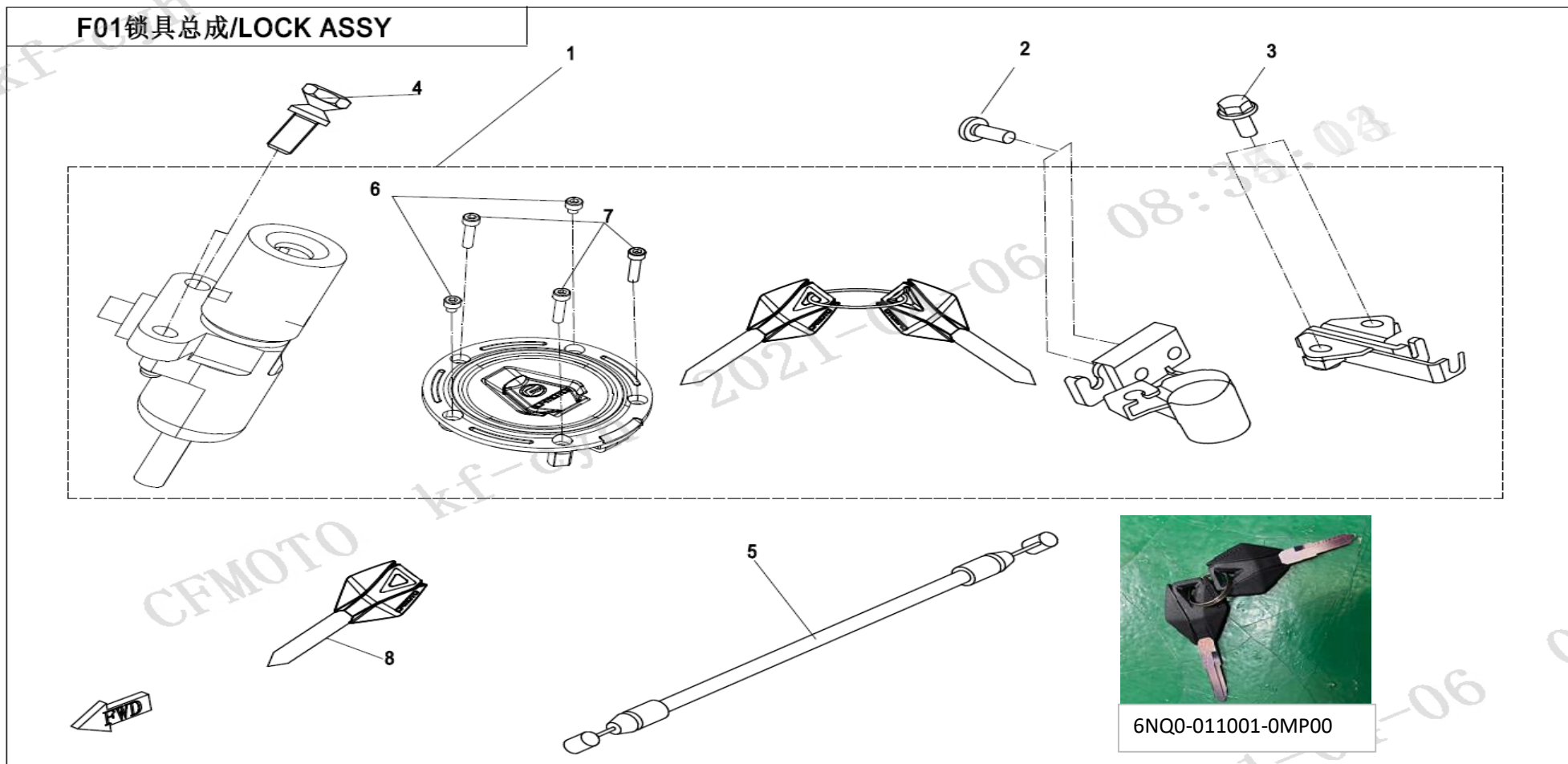
NEBULA WHITE 2021

COMMONALITY OF 250SR 2020~2021



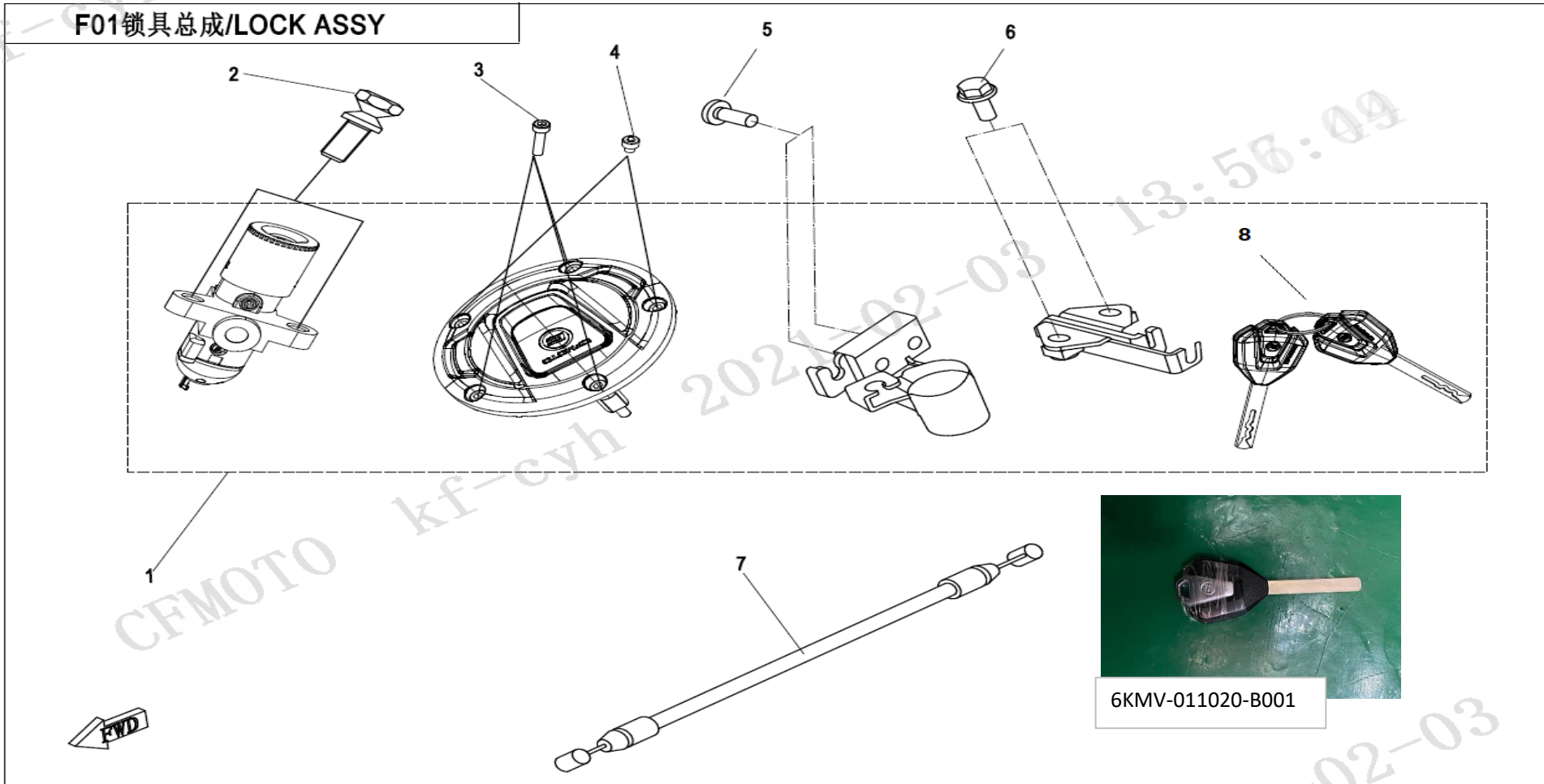
*** NO DASHBOARD SWITCH ON LEFT HANDLEBAR*
THOSE WITH DASHBOARD SWITCH ARE MODEL 2022~2023**

F01-A 锁具 LOCK KIT



Item No	Parts Number	Parts Name(EN)	Qty	Specification
01	6KM#-011000-8003	LOCK KIT	1	
02	30105-050012410	SCREW M5×12	2	
03	30006-060012810	BOLT M6×12	2	
04	6KJ0-010001	BOLT	2	
05	6KM#-010010-8000	SEAT CABLE	1	
06	30102-050008900	INNER HEX SCREW M5x8	2	
07	30102-050025900	INNER HEX SCREW M5x25	3	
08	6NQ0-011001-0MP00	KEY	1	BLANK

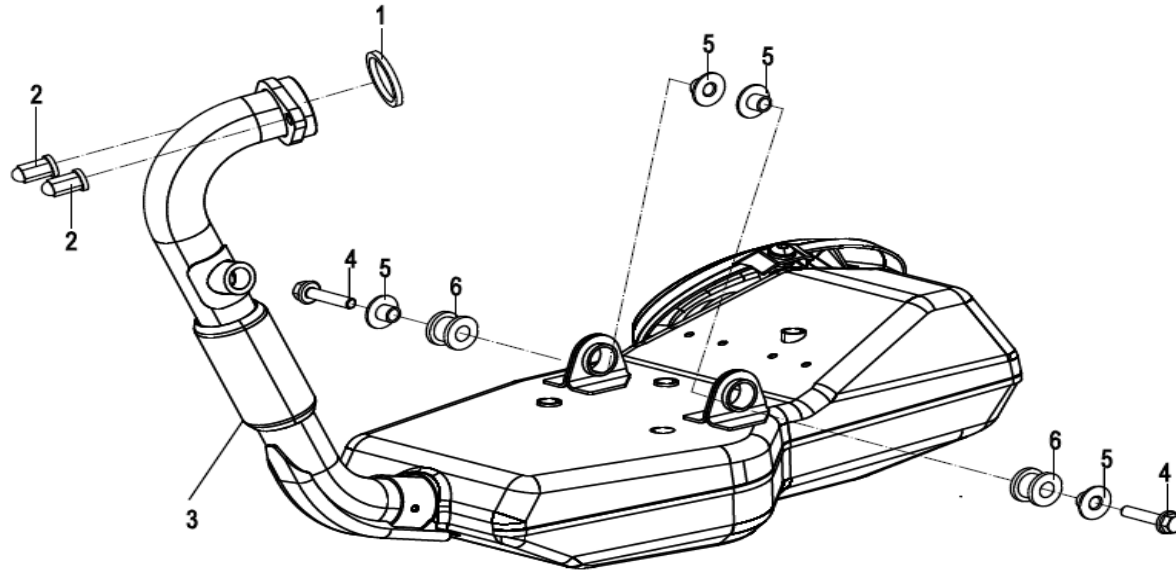
F01-B 锁具 LOCK KIT



Item No	Parts Number	Parts Name(EN)	Qty	Specification
01	6KMV-011000-8601	LOCK KIT	1	
02	6KJ0-010001	BOLT	2	
03	30102-050025900	INNER HEX SCREW M5x25	3	
04	30102-050008900	INNER HEX SCREW M5x8	2	
05	30105-050012410	SCREW M5x12	2	
06	30006-060012870	BOLT M6x12	2	
07	6KM#-010010-8000	SEAT CABLE	1	
08	6KMV-011020-B001	KEY	2	BLANK

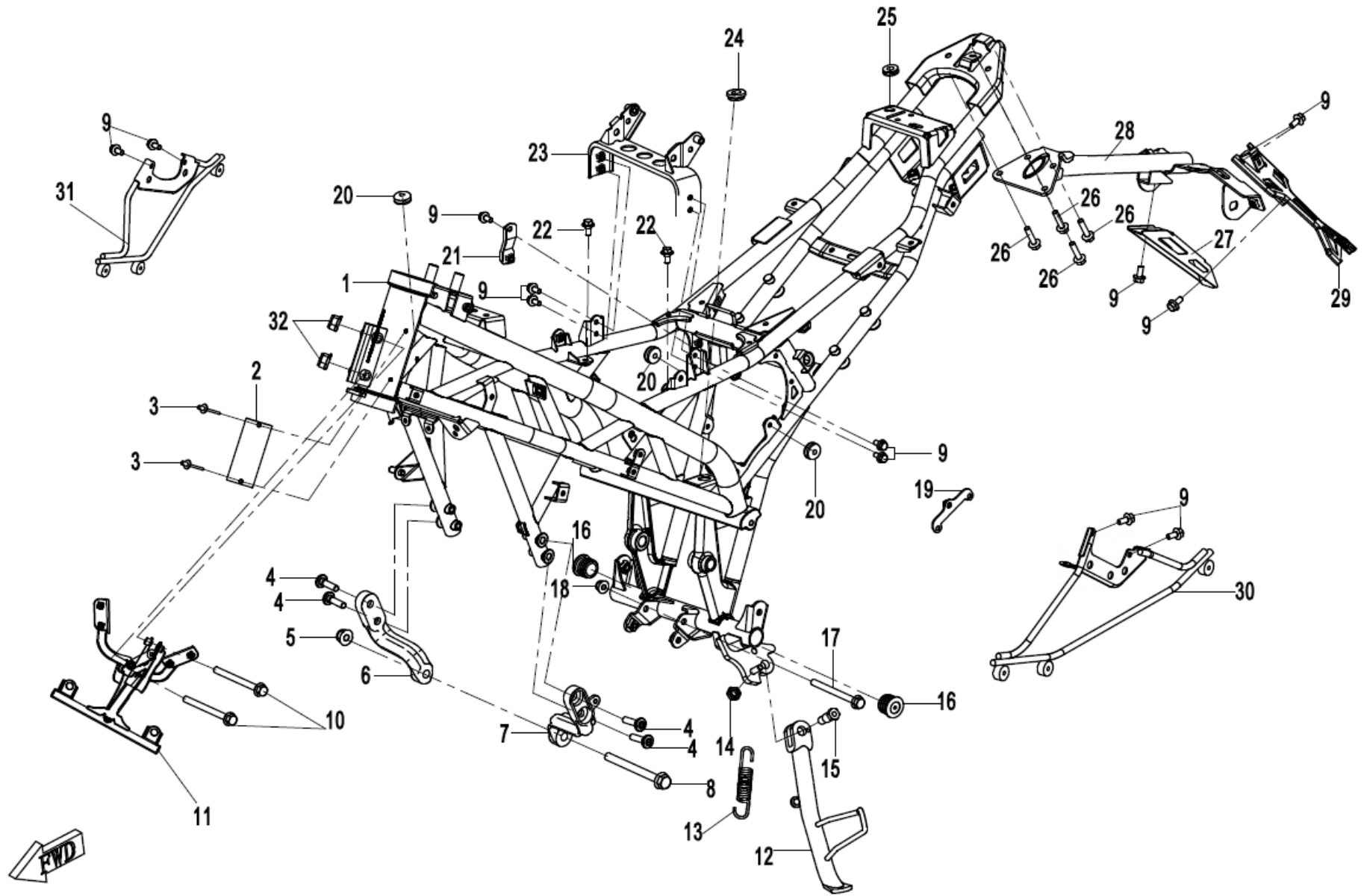
F02-A 消声器 MUFFLER

F02 消声器总成/MUFFLER COMP



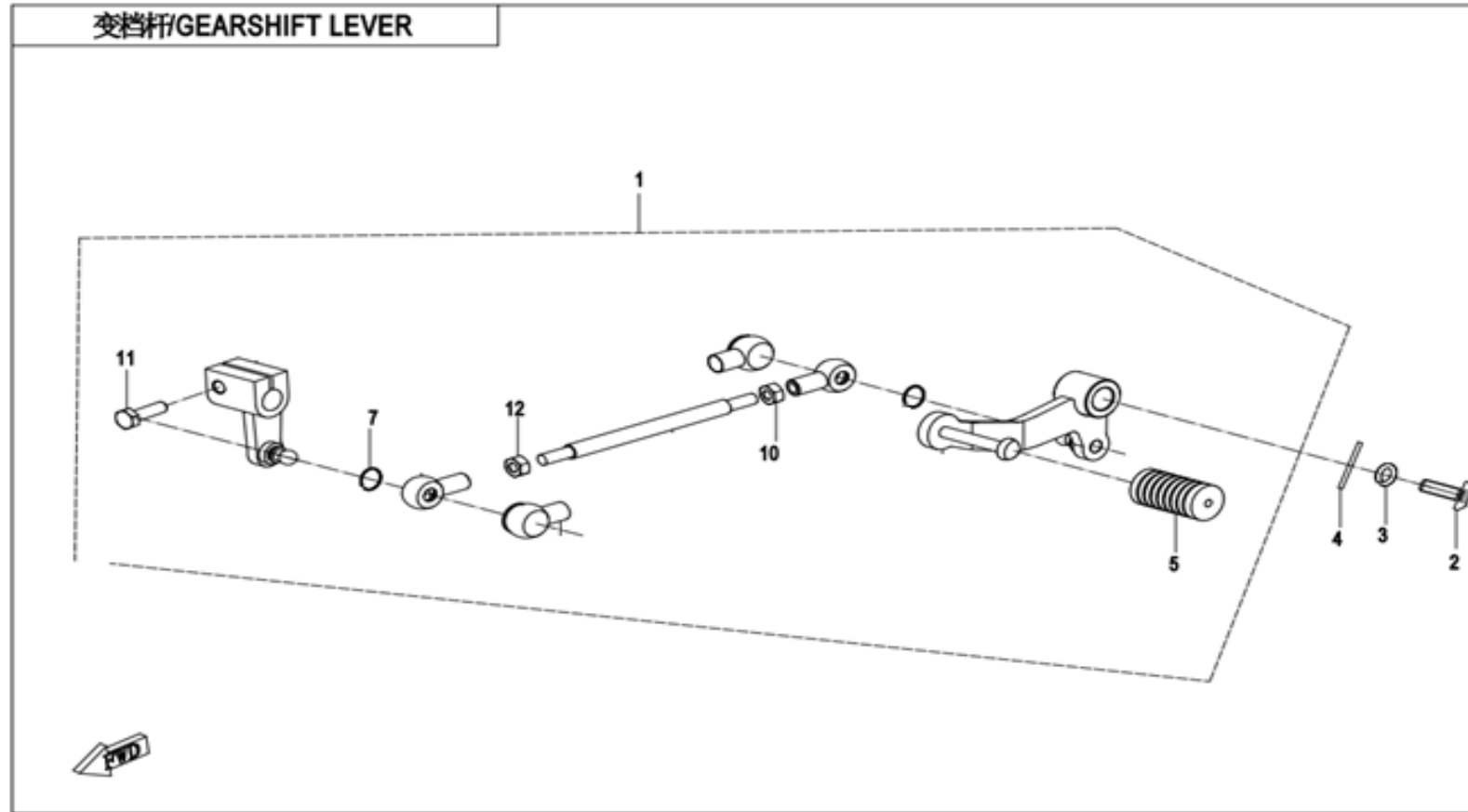
Item No	Parts Number	Parts Name(EN)	Qty	Specification
01	6KM0-020010	SEAL WASHER, EXHAUST PORT	1	
02	8010-020001	NUT M8, MUFFLER JOINT	2	
03	6KM#-021000-8001	MUFFLER ASSY	1	
04	30006-080035810	BOLT M8×35	2	
05	A000-020005	BUSHING	4	
06	A000-020004	DAMPER, MUFFLER	2	

F03-1车架总成/FRAME ASSY



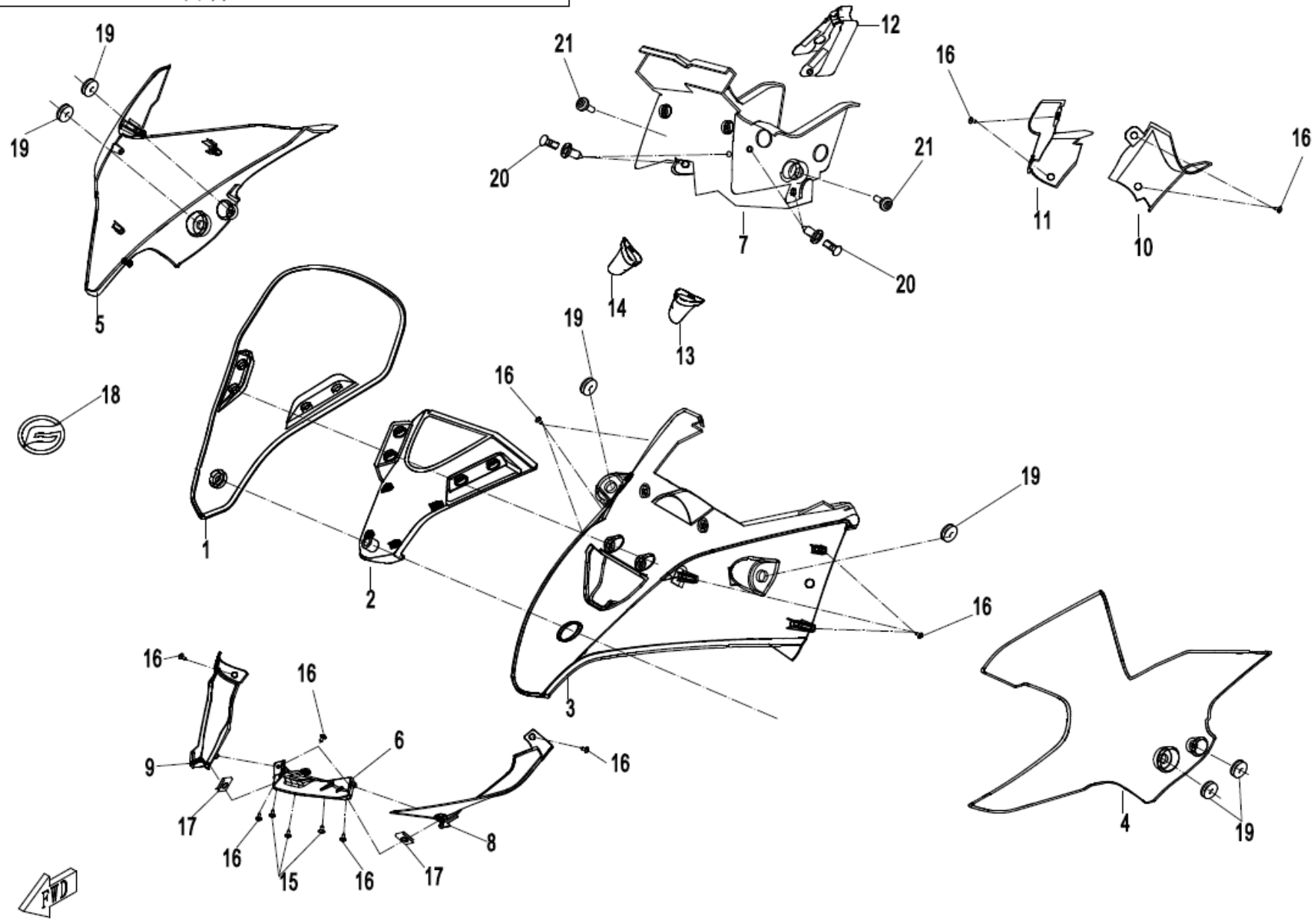
Item No	Parts Number	Parts Name(EN)	Qty	Specification
01	6KMV-031000-8008-01-0VG00	FRAME ASSY	1	WHITE+BLACK
01	6KMV-031000-8008-01-0BP00	FRAME ASSY	1	BLACK
03	30902-0401320	RIVET	2	
04	6KM0-140107	BOLT	4	
05	30204-102810	NUT	1	
06	6KM0-030006-1B200	RH MOUNTING BRACKET, ENGINE	1	
07	6KM0-030005-1B200	LH MOUNTING BRACKET, ENGINE	1	
08	30006-102110110	BOLT	1	
09	30006-060012870	BOLT	17	
10	30006-060025810	BOLT	2	
11	6KM#-030400-8001-0B200	FRONT BRACKET	1	
12	6KM0-030310-0B200	SIDE BRACKET ASSY	1	
13	6090-030006	SPRING, SIDE STAND	1	
14	30208-102010	NUT	1	
15	A000-030006	SIDE STAND BOLT	1	
16	6KJ0-030503	RUBBER PLUG	2	
17	30006-080090810	BOLT	1	
18	30204-080810	LOCK NUT	1	
19	6KM0-030030-0B200	BRACKET, CANISTER	1	
20	A000-040302	RUBBER DAMPER	3	
21	6KM0-030050-0B200	ABS BRACKET	1	
22	8010-000004	BOLT M6x14	2	
23	6KM0-030100-2B200	REAR MOUNTING ASSY,FUEL TANK	1	
24	8080-040064	FRONT FENDER DAMPER	1	
25	5BY0-040010	RUBBER SLEEVE	1	
26	30006-080045810	BOLT	4	
27	6KJ0-030601-0BP00	BRACKET, REAR LICENSE	1	
28	6NT1-030100-0BP00	BRACKET, REAR FENDER	1	
29	6KM#-030110-8000-0BP00	BRACKET, REAR LICENSE	1	
30	6KM#-030040-8002-0B200	LH BRACKET, DEFLECTOR	1	
31	6KM#-030050-8002-0B200	RH BRACKET, DEFLECTOR	1	
32	30206-080510	NUT M8	2	

F03-2 变档杆 GEARSHIFT LEVER



Item No	Parts Number	Parts Name(EN)	Qty	Specification
01	6KM#-140700-8000	GEARSHIFT PEDAL	1	
02	6NQ#-000206-6001	BOLT M6x16	1	
03	30303-060112	WASHER	1	
04	A000-080006-10000	GASKET 17x24x1.6	1	
05	6090-033601	SLEEVE, FOOT PEDAL	1	
10	30200-060810	NUT	1	
11	30006-060020810	BOLT	1	
12	30200-060810	NUT M6	1	

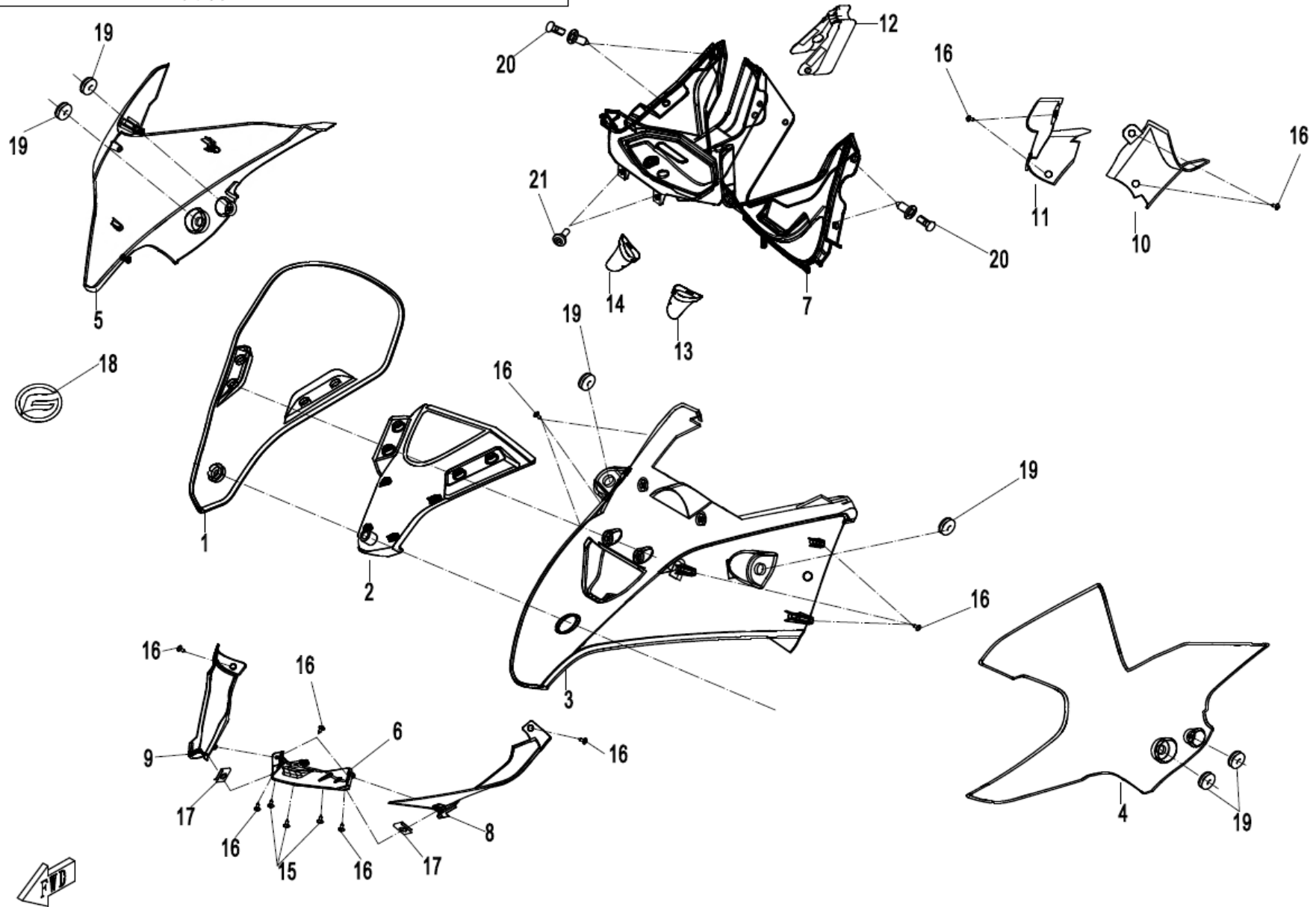
F04-1塑料件 I /PLASTICS I



Item No	Parts Number	Parts Name(EN)	Qty	Specification
01	6KMV-040002-8500	WINDSHIELD	1	
02	6KM#-040003-8001	DECO PART, UPPER GUARD	1	
03	6KM#-040001-8001-0VF00	UPPER GUARD, HEADLIGHT (MERCURY SILVER)	1	FOR BLACK AND BLUE BIKE
03	6KM#-040001-8001-0VE00	UPPER GUARD, HEADLIGHT (NEBULA WHITE)	1	FOR WHITE BIKE
04	6KM#-040005-8003-0VE00	LH GUARD, HEADLIGHT (NEBULA WHITE)	1	FOR WHITE BIKE
04	6KM#-040005-8002-0BM00	LH GUARD, HEADLIGHT (NEBULA BLACK)	1	FOR BLACK BIKE
04	6KM#-040005-8002-0EP00	LH GUARD, HEADLIGHT (TURQUOISE BLUE)	1	FOR BLUE BIKE
05	6KM#-040006-8003-0VE00	RH GUARD, HEADLIGHT (NEBULA WHITE)	1	FOR WHITE BIKE
05	6KM#-040006-8003-0BM00	RH GUARD, HEADLIGHT (NEBULA BLACK)	1	FOR BLACK BIKE
05	6KM#-040006-8002-0EP00	RH GUARD, HEADLIGHT (TURQUOISE BLUE)	1	FOR BLUE BIKE
06	6KM#-040004-8001	LOWER DECO PART, HEADLIGHT	1	
07	6KM#-040009-8101	DASHBOARD GUARD	1	
08	6KM#-040007-8001	LH FRONT DEFLECTOR, HEADLIGHT	1	
09	6KM#-040008-8001	RH FRONT DEFLECTOR, HEADLIGHT	1	
10	6KM#-040043-8001	LH REAR DEFLECTOR 1	1	
11	6KM#-040044-8001	RH REAR DEFLECTOR 1	1	
12	6KM#-040070-8000	DECO PART ASSY, DASHBOARD GUARD	1	
13	6KM#-040065-8001	RH VENTILATION PIPE, DASHBOARD GUARD	1	
14	6KM#-040064-8001	RH VENTILATION HOSE, DASHBOARD GUARD	1	
15	30118-420095010	SELF-TAPPING SCREW ST4.2x9.5	3	
16	30110-421130010	SELF-TAPPING SCREW ST4.2x13	11	
17	8010-000002	TOOL ST4.2	2	
18	6KM#-190001-8000	DECO PLATE, WINDSHIELD	1	
19	A000-040302	RUBBER DAMPER	6	
20	9060-040310	PLASTIC CLIPS	4	
21	6KM#-040702-8000	INNER HEX SCREW M6x12	2	

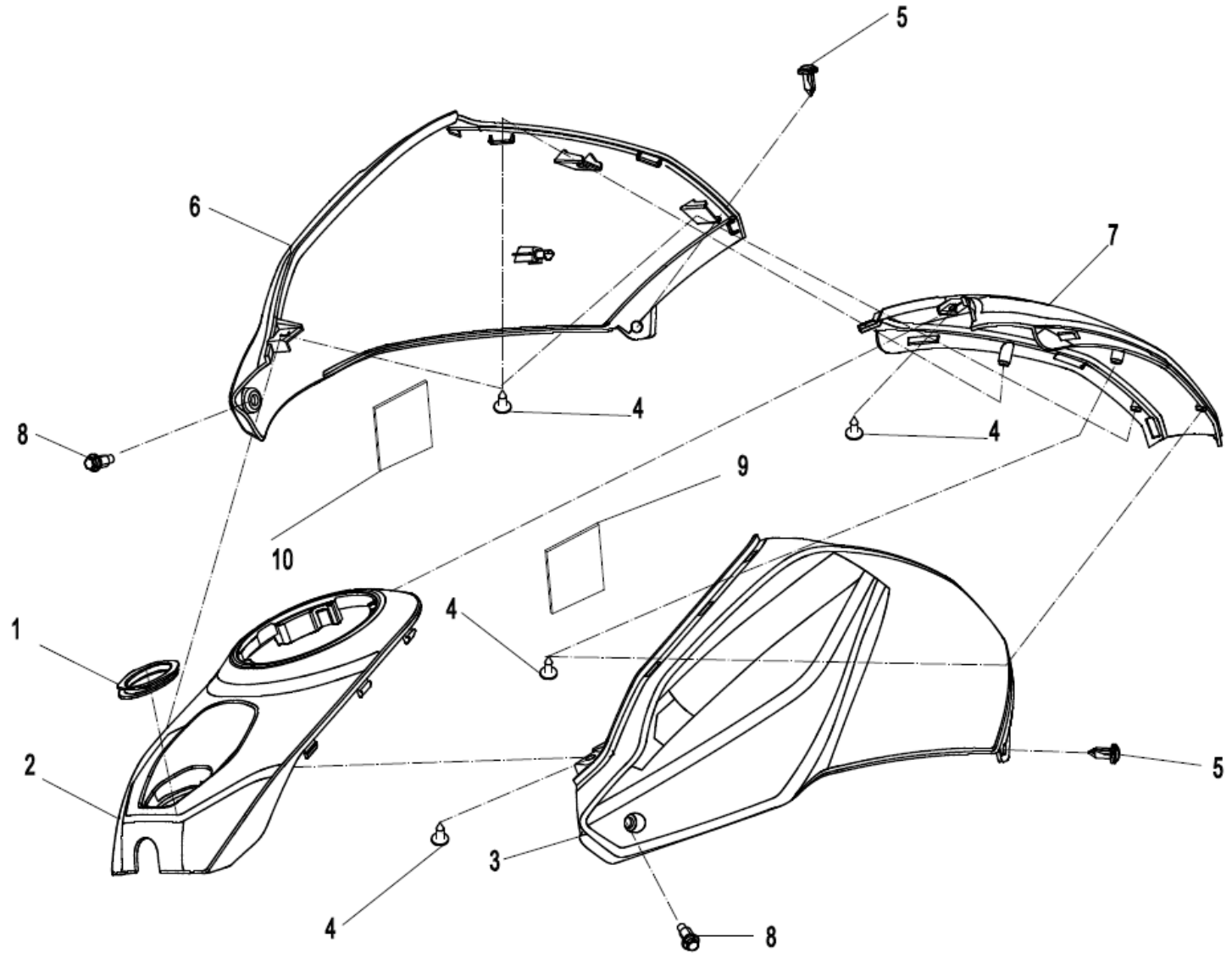
F04-1-B-V2 塑料件1(仪表-LCD) PLASTICS1(DASHBOARD-LCD)

F04-1塑料件 I /PLASTICS I



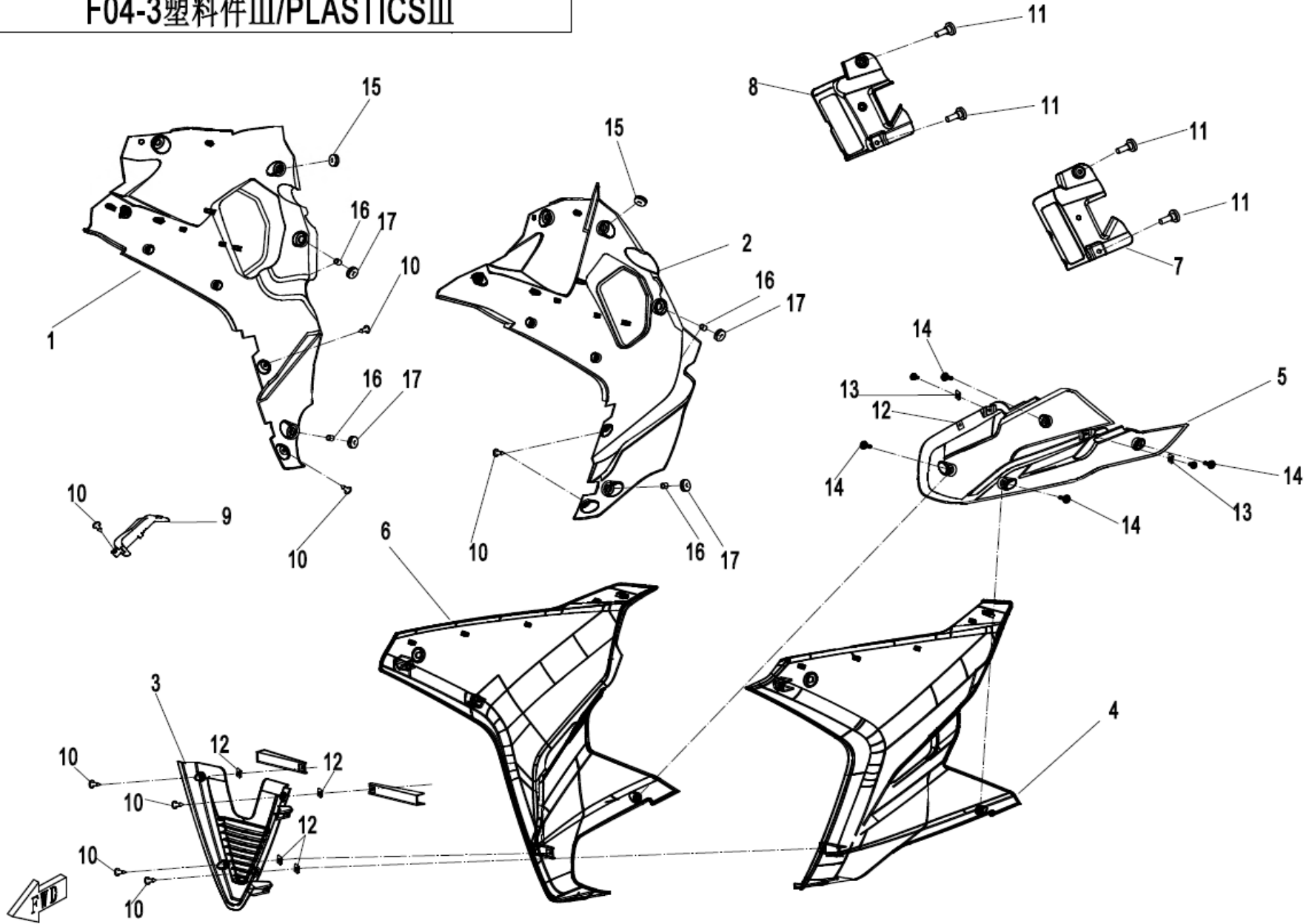
Item No	Parts Number	Parts Name(EN)	Qty	Specification
01	6KMV-040002-8500	WINDSHIELD	1	
02	6KM#-040003-8001	DECO PART, UPPER GUARD	1	
03	6KM#-040001-8001-0VE00	UPPER GUARD, HEADLIGHT (NEBULA WHITE)	1	FOR BLACK AND BLUE BIKE
03	6KM#-040001-8001-0VF00	UPPER GUARD, HEADLIGHT (MERCURY SILVER)	1	FOR WHITE BIKE
04	6KM#-040005-8002-0BM00	LH GUARD, HEADLIGHT (NEBULA BLACK)	1	FOR BLACK BIKE
04	6KM#-040005-8002-0EP00	LH GUARD, HEADLIGHT (TURQUOISE BLUE)	1	FOR BLUE BIKE
04	6KM#-040005-8003-0VE00	LH GUARD, HEADLIGHT (NEBULA WHITE)	1	FOR WHITE BIKE
05	6KM#-040006-8003-0BM00	RH GUARD, HEADLIGHT (NEBULA BLACK)	1	FOR BLACK BIKE
05	6KM#-040006-8002-0EP00	RH GUARD, HEADLIGHT (TURQUOISE BLUE)	1	FOR BLUE BIKE
05	6KM#-040006-8003-0VE00	RH GUARD, HEADLIGHT (NEBULA WHITE)	1	FOR WHITE BIKE
06	6KM#-040004-8001	LOWER DECO PART, HEADLIGHT	1	
07	6KM#-040009-8001	DASHBOARD GUARD	1	
08	6KM#-040007-8001	LH FRONT DEFLECTOR, HEADLIGHT	1	
09	6KM#-040008-8001	RH FRONT DEFLECTOR, HEADLIGHT	1	
10	6KM#-040043-8001	LH REAR DEFLECTOR 1	1	
11	6KM#-040044-8001	RH REAR DEFLECTOR 1	1	
12	6KM#-040070-8000	DECO PART ASSY, DASHBOARD GUARD	1	
13	6KM#-040065-8001	LH VENTILATION HOSE, DASHBOARD GUARD	1	
14	6KM#-040064-8001	RH VENTILATION HOSE, DASHBOARD GUARD	1	
15	30118-420095010	SELF-TAPPING SCREW ST4.2x9.5	3	
16	30110-421130010	SELF-TAPPING SCREW ST4.2x13	11	
17	8010-000002	TOOL ST4.2	2	
18	6KM#-190001-8000	DECO PLATE, WINDSHIELD	1	
19	A000-040302	RUBBER DAMPER	6	
20	9060-040310	PLASTIC CLIPS	4	
21	6KM#-040702-8000	INNER HEX SCREW M6x12	2	

F04-2塑料件 II/PLASTICS II



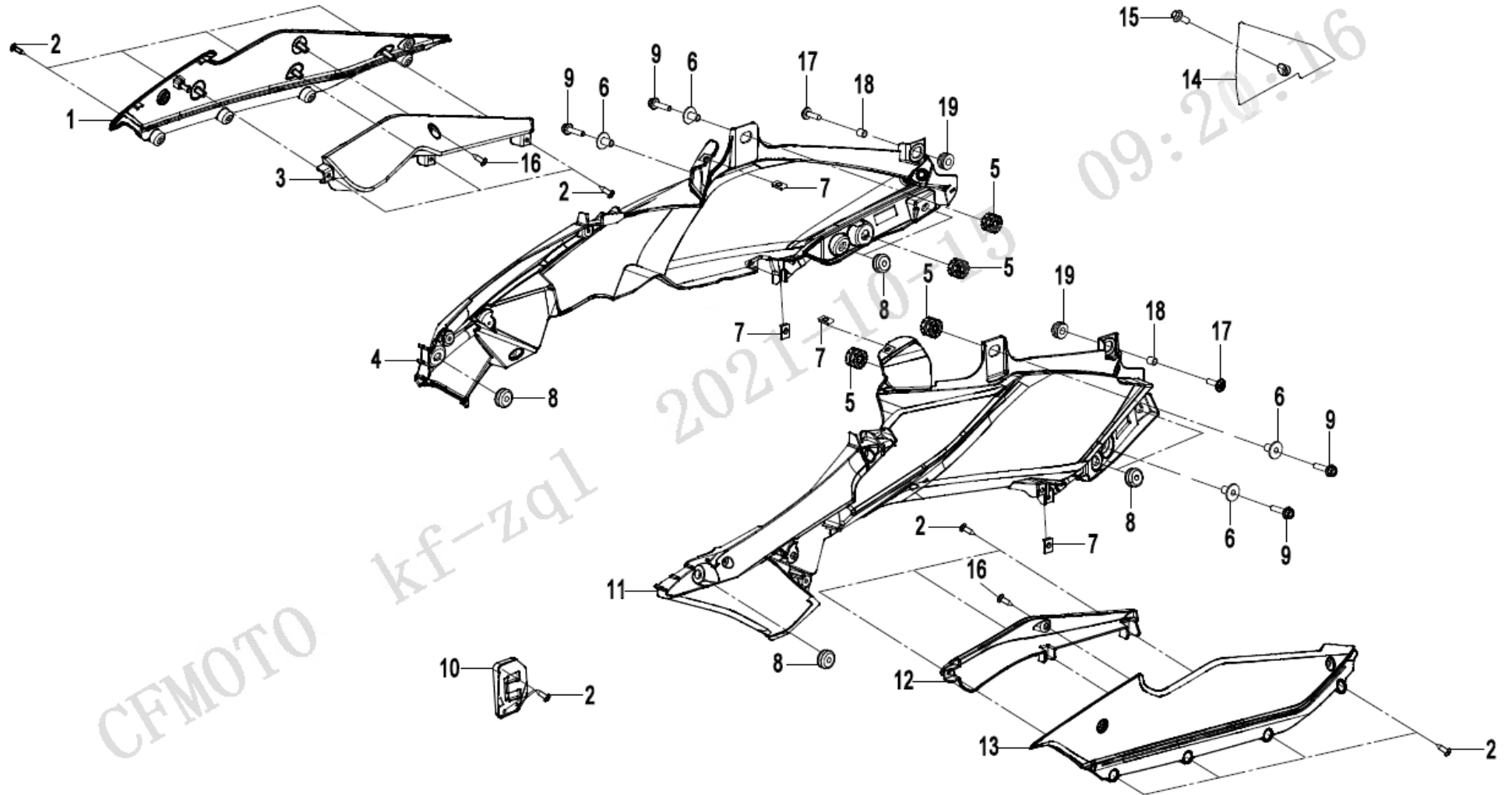
Item No	Parts Number	Parts Name(EN)	Qty	Specification
01	6KM#-040032-8001	DECO RING, IGNITION LOCK	1	
02	6KMV-040029-8002-0B600	FRONT GUARD, FUEL TANK	1	
03	6KMV-040027-8004-0BM00	LH GUARD, FUEL TANK (NEBULA BLACK)	1	FOR BLACK BIKE
03	6KM#-040027-8002-0EQ00	LH GUARD, FUEL TANK (TORQUISE BLUE)	1	FOR BLUE BIKE
03	6KMV-040027-8004-0VE00	LH GUARD, FUEL TANK (NEBULA WHITE)	1	FOR WHITE BIKE
04	30110-421130010	SELF-TAPPING SCREW ST4.2×13	7	
05	9060-040310	PLASTIC CLIPS	4	
06	6KM#-040028-8003-0BM00	RH GUARD, FUEL TANK (NEBULA BLACK)	1	FOR BLACK BIKE
06	6KM#-040028-8002-0EQ00	RH GUARD, FUEL TANK (TORQUISE BLUE)	1	FOR BLUE BIKE
06	6KMV-040028-8004-0VE00	RH GUARD, FUEL TANK (NEBULA WHITE)	1	FOR WHITE BIKE
07	6KM#-040031-8003-0BM00	REAR GUARD, FUEL TANK (NEBULA BLACK)	1	FOR BLACK BIKE
07	6KM#-040031-8002-0EQ00	REAR GUARD, FUEL TANK (TORQUISE BLUE)	1	FOR BLUE BIKE
07	6KM#-040031-8002-0VE00	REAR GUARD, FUEL TANK (NEBULA WHITE)	1	FOR WHITE BIKE
08	6KM#-040082-8000	SCREW KIT M5	2	

F04-3塑料件III/PLASTICSIII



Item No	Parts Number	Parts Name(EN)	Qty	Specification
01	6KM#-040024-8002	RH FRONT INNER PANEL	1	
02	6KM#-040023-8002	LH FRONT INNER PANEL	1	
03	6KM#-040025-8001	FRONT LOWER FENDER	1	
04	6KM#-040015-8003-0BM00	FRONT LH PANEL (NEBULA BLACK)	1	FOR BLACK BIKE
04	6KM#-040015-8002-0EQ00	FRONT LH PANEL (TURQUOISE BLUE+NEBULA BLACK)	1	FOR BLUE BIKE
04	6KM#-040015-8003-0VE00	FRONT LH PANEL (NEBULA WHITE)	1	FOR WHITE BIKE
05	6KMV-040026-8004-0B600	LOWER GUARD, ENGINE (CARBON WRAP)	1	
06	6KM#-040016-8002-0VE00	FRONT RH PANEL (NEBULA WHITE)	1	FOR WHITE BIKE
06	6KM#-040016-8002-0EQ00	FRONT RH PANEL (TURQUOISE BLUE+NEBULA BLACK)	1	FOR BLUE BIKE
06	6KMV-040016-8003-0BM00	FRONT RH PANEL (NEBULA BLACK)	1	FOR BLACK BIKE
07	6KM#-040056-8001	LH CUSHION BLOCK, FRAME	1	
08	6KM#-040057-8001	RH CUSHION BLOCK, FRAME	1	
09	6KM#-040058-8001	FILLING CAP	1	
10	30110-421130010	SELF-TAPPING SCREW ST4.2×13	9	
11	6KM#-040702-8000	INNER HEX SCREW M6x12	4	
12	8010-000002	TOOL ST4.2	5	
13	6KM#-040081-8000-M1	NUT CLIP M5	2	
14	6NQ#-000205-6001	MOUNTING SCREW, CHAIN GUARD	4	
15	A000-040302	RUBBER DAMPER	2	
16	6090-040302	CUSHION SLEEVE	6	
17	6090-040303	BUSHING	6	

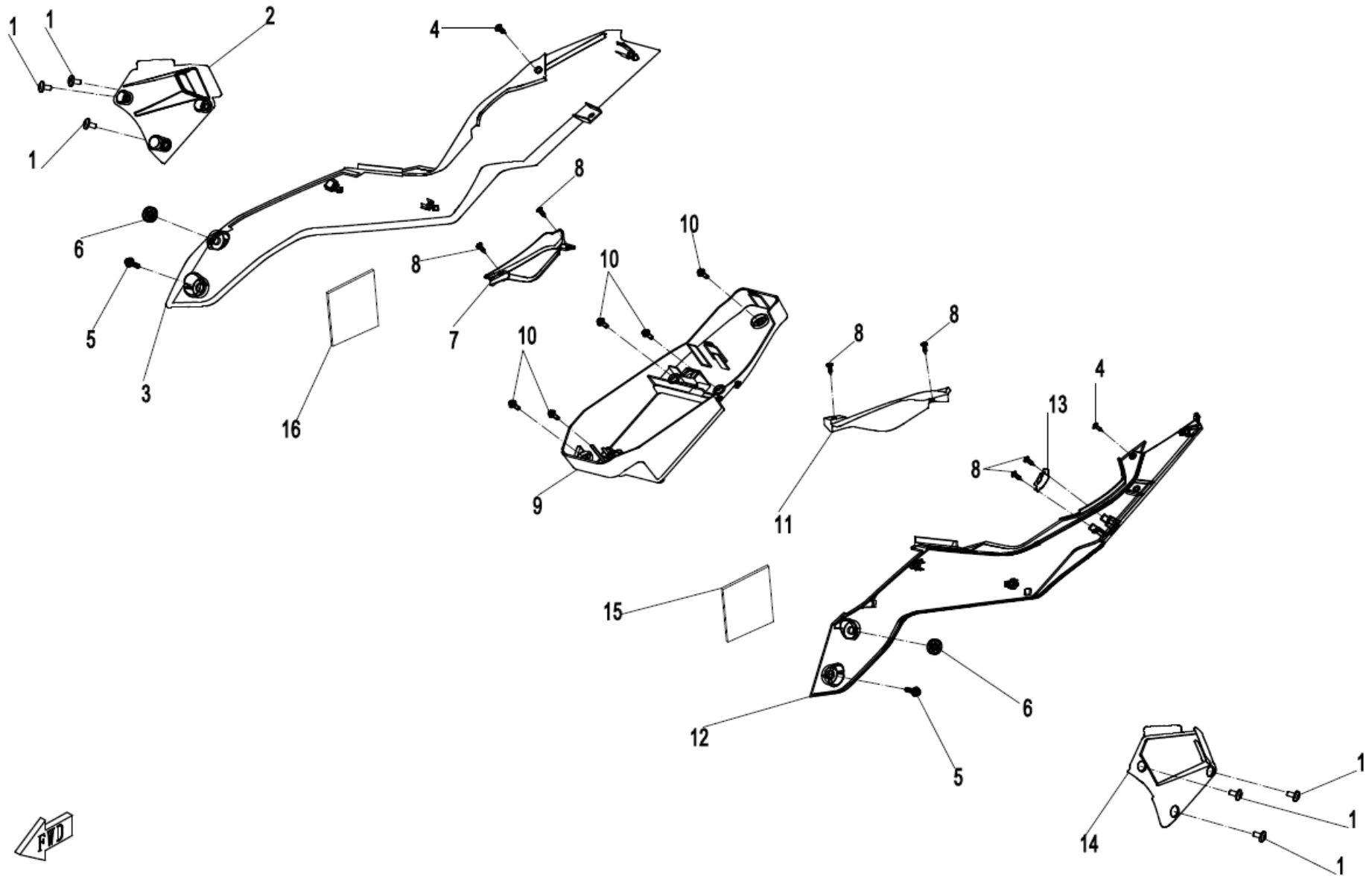
F04-4塑料件IV/PLASTICS IV



10-15

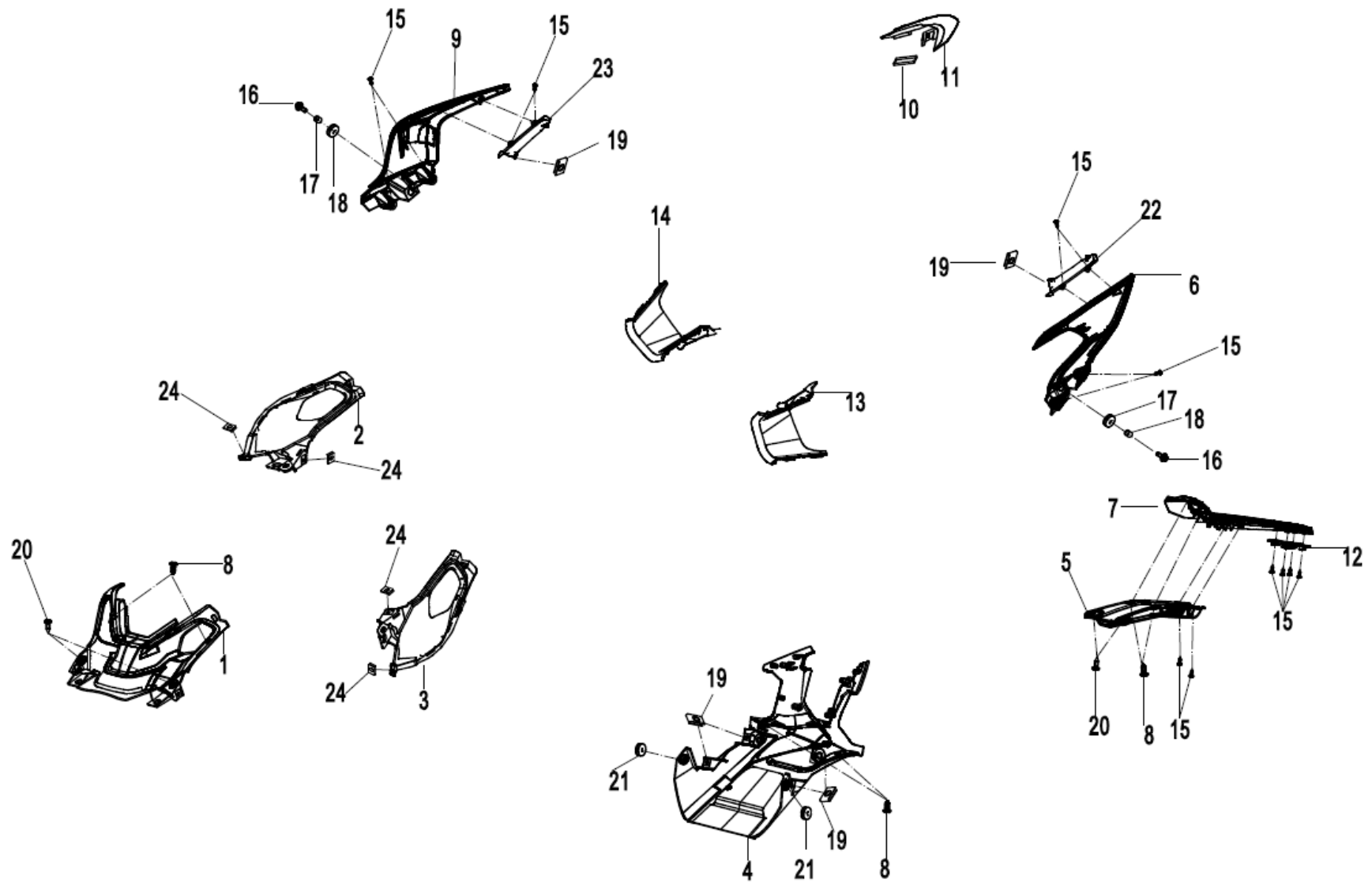
Item No	Parts Number	Parts Name(EN)	Qty	Specification
01	6KMV-040014-8003-0B600	UPPER DECO PLATE, FRONT RH PANEL	1	CARBON WRAP
02	30110-421130010	SELF-TAPPING SCREW ST4.2×13	13	
03	6KMV-040018-8003	INNER DECO PLATE, FRONT RH PANEL	1	
04	6KM#-040022-8003-0B800	RH FRONT PANEL, FUEL TANK (MATTE PEARL BLACK)	1	FOR BLACK BIKE
04	6KM#-040022-8003-0BM00	RH FRONT PANEL, FUEL TANK (NEBULA BLACK)	1	FOR BLUE BIKE
04	6KM#-040022-8003-0EP00	RH FRONT PANEL, FUEL TANK (TURQUOISE BLUE)	1	FOR WHITE BIKE
05	5020-031001	RUBBER SLEEVE, FRONT LICENSE BRACKET	4	
06	6KM0-120010	T-TYPE BUSHING ASSY	4	
07	6KM#-040081-8000-M1	NUT CLIP M5	4	
08	A000-040302	RUBBER DAMPER	6	
09	30006-060025810	BOLT M6×25	4	
10	6KMV-040033-8700	BRACKET, T-BOX	1	
11	6KM#-040021-8003-0B800	FUEL TANK FRONT LH PANEL (MATTE PEARL BLACK)	1	FOR BLACK BIKE
11	6KM#-040021-8003-0BM00	FUEL TANK FRONT LH PANEL (NEBULA BLACK)	1	FOR BLUE BIKE
11	6KMV-040021-8006-0EP00	FUEL TANK FRONT LH PANEL (TURQUOISE BLUE)	1	FOR WHITE BIKE
12	6KMV-040017-8003	INNER DECO PLATE, FRONT LH PANEL	1	
13	6KMV-040013-8003-0B600	UPPER DECO PLATE, FRONT LH PANEL	1	CARBON WRAP
14	6KMV-040059-8004-0BM00	SERVICE COVER, OIL FILTER (NEBULA BLACK)	1	FOR BLACK AND BLUE BIKE
14	6KMV-040059-8004-0VE00	SERVICE COVER, OIL FILTER (NEBULA WHITE)	1	FOR WHITE BIKE
15	6KM#-040082-8000	SCREW KIT M5	1	
16	30110-420130070	SELF-TAPPING SCREW ST4.2×13	2	
17	6WWW-046901-5000	INNER HEX SCREW M6x20	2	
18	6090-040303	BUSHING	2	
19	6090-040302	CUSHION SLEEVE	2	

F04-5塑料件VI/PLASTICS VI



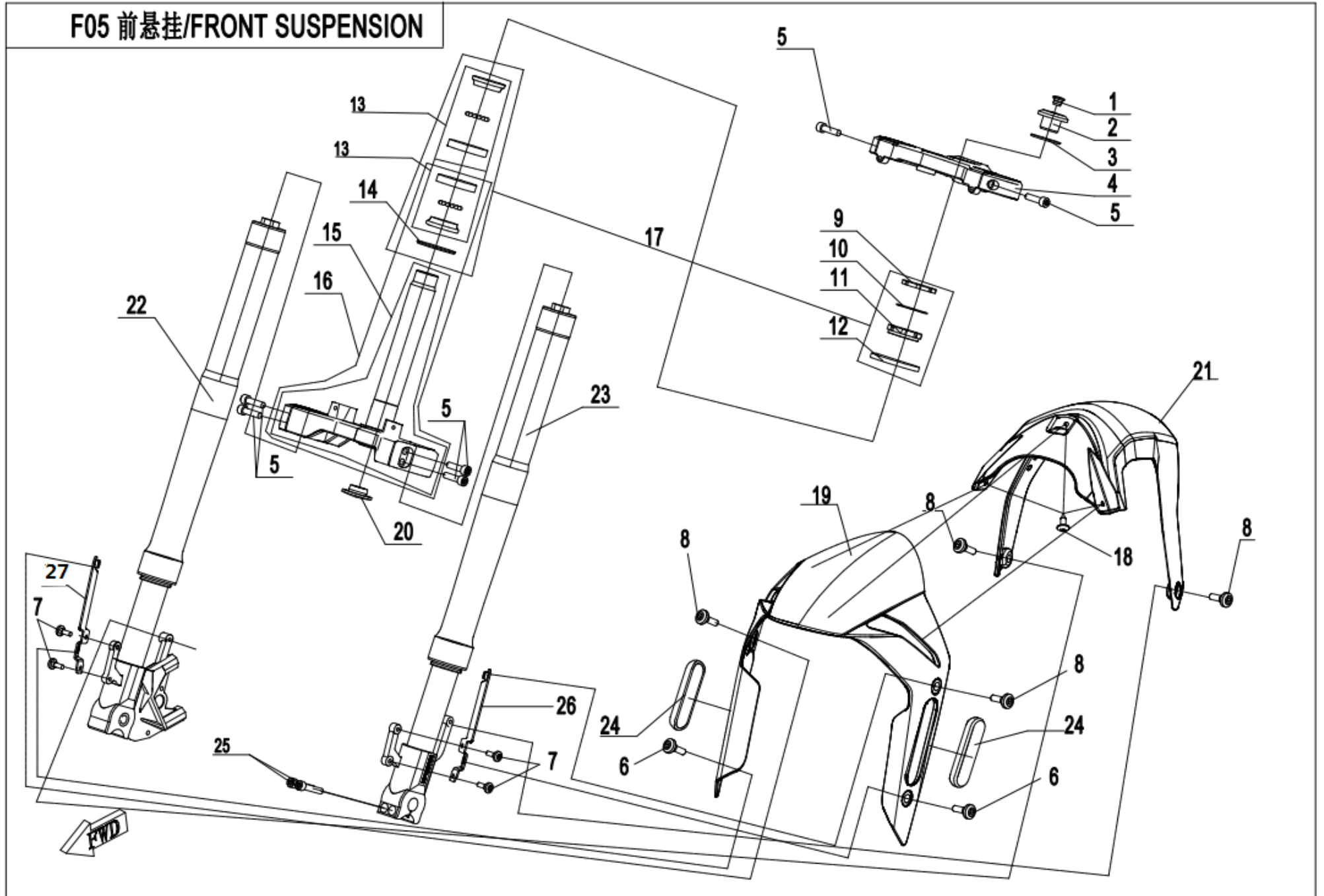
Item No	Parts Number	Parts Name(EN)	Qty	Specification
01	30102-060012870	SCREW M6×12	6	
02	6KM#-040036-8001	RH MIDDLE DECO COVER	1	
03	6KM#-040042-8002-0B800	RH PANEL (MATTE PEARL BLACK)	1	FOR BLACK BIKE
03	6KM#-040042-8002-0BM00	RH PANEL (NEBULA BLACK)	1	FOR BLUE BIKE
03	6KM#-040042-8002-0EP00	RH PANEL (TURQUOISE BLUE)	1	FOR WHITE BIKE
04	9060-040310	PLASTIC CLIPS	2	
05	30006-060025810	BOLT M6×25	2	
06	5020-031001	RUBBER SLEEVE, FRONT LICENSE BRACKET	2	
07	6KM#-130105-8001	RH DECO PLATE, FRONT SEAT	1	
08	30110-421130010	SELF-TAPPING SCREW ST4.2×13	6	
09	6KMOV-040034-8002	BATTERY BOX	1	
10	8010-000004	BOLT M6x14	5	
11	6KM#-130104-8001	LH DECO PLATE, FRONT SEAT	1	
12	6KM#-040041-8002-0B800	LH PANEL (MATTE PEARL BLACK)	1	FOR BLACK BIKE
12	6KM#-040041-8002-0BM00	LH PANEL (NEBULA BLACK)	1	FOR BLUE BIKE
12	6KM#-040041-8002-0EP00	LH PANEL (TURQUOISE BLUE)	1	FOR WHITE BIKE
13	6KM#-040055-8002	LOCK SEAT, SEAT LOCK	1	
14	6KM#-040035-8001	LH MIDDLE DECO COVER	1	

F04-6塑料件VI/PLASTICS VI



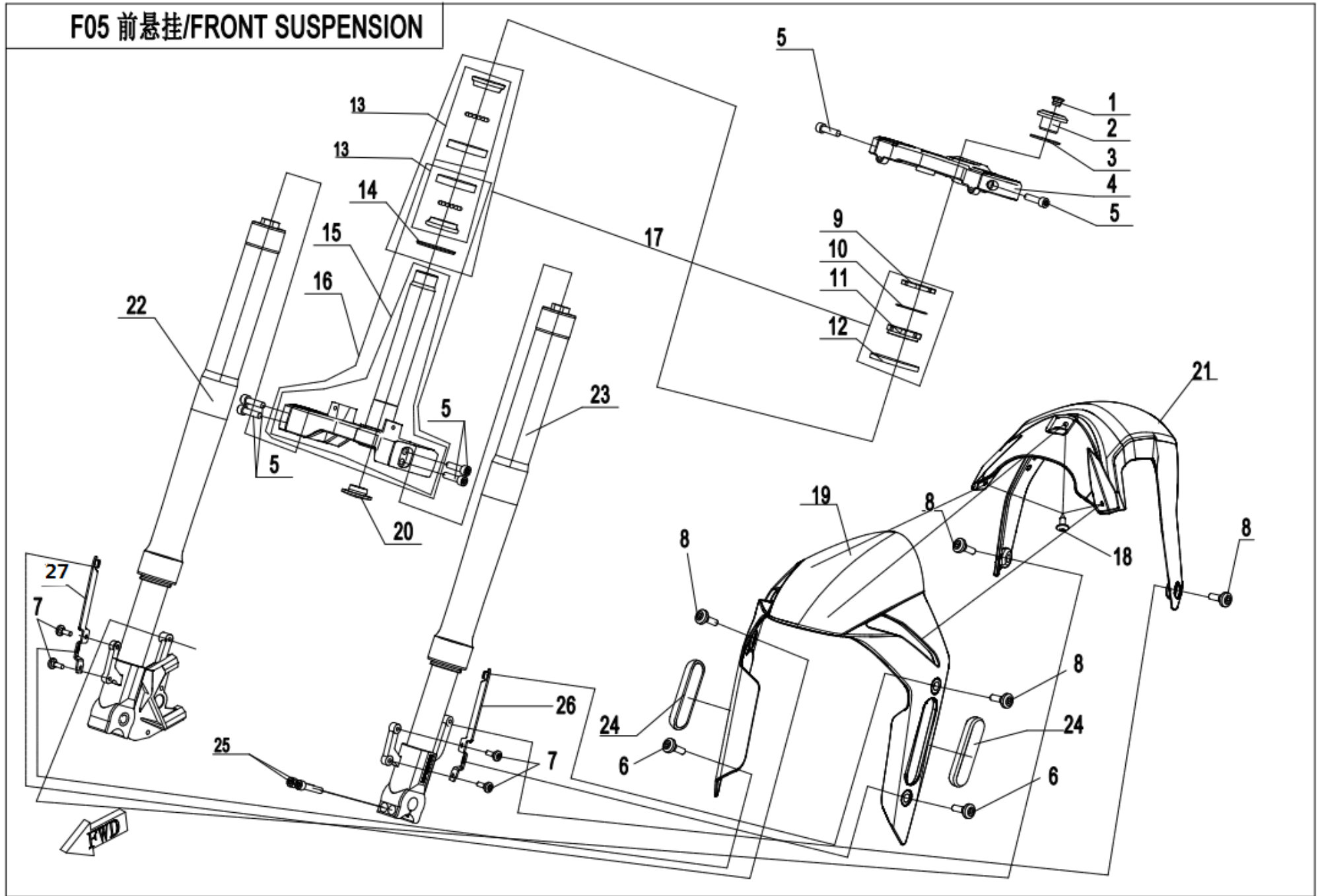
Item No	Parts Number	Parts Name(EN)	Qty	Specification
01	6KM#-040039-8001	FRONT MIDDLE CONNECTING PLATE, PANEL	1	
02	6KM#-040062-8001	FRONT RH CONNECTING PLATE, PANEL	1	
03	6KM#-040061-8001	FRONT LH CONNECTING PLATE, PANEL	1	
04	6KM#-040047-8001	REAR FENDER	1	
05	6KM#-040051-8001	LOWER DECO PART, REAR FENDER	1	
06	6KM#-040045-8002-0VE00	LH TAIL GUARD (NEBULA WHITE)	1	FOR WHITE BIKE
06	6KM#-040045-8002-0VF00	LH TAIL GUARD (MERCURY SILVER)	1	FOR BLACK AND BLUE BIKE
07	6KM#-040049-8001	UPPER DECO PART, REAR FENDER	1	
08	9060-040310	PLASTIC CLIPS	6	
09	6KM#-040046-8002-0VE00	RH TAIL GUARD (NEBULA WHITE)	1	FOR WHITE BIKE
09	6KM#-040046-8001-0VF00	RH TAIL GUARD (MERCURY SILVER)	1	FOR BLACK AND BLUE BIKE
10	6KM#-040066-8001	SPONGE STRAP	1	
11	6KM#-040048-8001	UPPER DECO GUARD, TAIL LIGHT	1	
12	6KM#-040052-8001	PRESS BLOCK, REAR LICENSE LIGHT	1	
13	6KM#-040143-8001	LH REAR DEFLECTOR 2	1	
14	6KM#-040144-8001	RH REAR DEFLECTOR 2	1	
15	30110-421130010	SELF-TAPPING SCREW ST4.2×13	14	
16	30006-060016870	BOLT M6×16	2	
17	6090-040302	CUSHION SLEEVE	2	
18	6090-040303	BUSHING	2	
19	8080-000001	CLASP	2	
20	30118-420095010	SELF-TAPPING SCREW ST4.2x9.5	2	
21	A000-040302	RUBBER DAMPER	2	
22	6KM#-040053-8001	INNER DECO PART, LH TAIL GUARD	1	
23	6KM#-040054-8001	INNER DECO PART, RH TAIL GUARD	1	
24	8010-000002	TOOL ST4.2	4	

F05-A 前悬架(星光白/星光黑) FRONT SUSPENSION (NEBULA WHITE/NEBULA BLACK)



Item No	Parts Number	Parts Name(EN)	Qty	Specification
01	A000-050005	RUBBER PLUG 1	1	
02	A000-050003	FIXING SCREW, UPPER TRIPLE CLAMP	1	
03	A000-050004	WASHER	1	
04	6KMV-050001-8102	UPPER TRIPLE CLAMP	1	
05	30102-080030860	SCREW (M8×30)	6	
06	6KM#-040702-8000	INNER HEX SCREW M6x12	2	
07	30006-060012870	BOLT (M6×12)	4	
08	6NQ#-000205-6001	MOUNTING SCREW, CHAIN GUARD	4	
09	A000-050006	LOCK NUT 1	1	
10	A000-050008	WASHER	1	5
11	A000-050007	LOCK NUT 2	1	
12	A000-050009	DUST CAP, UPPER RETAINER	1	
13	A000-050100-10000	STEERING BEARING ASSY	2	
14	A000-050400	ANTI-DUST CAP, LOWER RETAINING RING	1	
15	6KJ0-050300-0BP00	FORNT FORK AND LOWER TRIPLE CLAMP ASSY	1	MAUD SPIRIT BLACK
15	6KJ0-050300-0H300	LOWER TRIPLE CLAMP, FRONT FORK PIPE	1	SILVER BLACK
17	A000-0501A0	STEERING BEARING ASSY	1	
18	30110-421130010	SELF-TAPPING SCREW (ST4.2×13)	3	
19	6KM#-050009-8001-0BM00	FRONT FENDER FRONT PART (NEBULA BLACK)	1	
19	6KM#-050009-8001-0VE00	FRONT FENDER FRONT PART (NEBULA WHITE)	1	
20	A000-050011	RUBBER PLUG 2	1	
21	6KM#-050011-8001-0B800	FRONT FENDER REAR PART (MATTE PEARL BLACK)	1	
21	6KM#-050011-8001-0BM00	FRONT FENDER REAR PART (NEBULA BLACK)	1	
22	6KM#-050200-8100	FRONT RH SHOCK ABSORBER (BLACK COLOR)	1	BLACK COLOR
23	6KM#-050100-8100	FRONT LH SHOCK ABSORBER (BLACK COLOR)	1	BLACK COLOR
24	6KM#-050030-8100	SIDE REFLECTOR	2	
25	30102-080040810	SCREW M8x40	2	
26	6KM#-030020-8000-0B200	FRONT FENDER LH BRACKET (MATTE BLACK)	1	
27	6KM#-030030-8000-0B200	FRONT FENDER RH BRACKET (MATTE BLACK)	1	

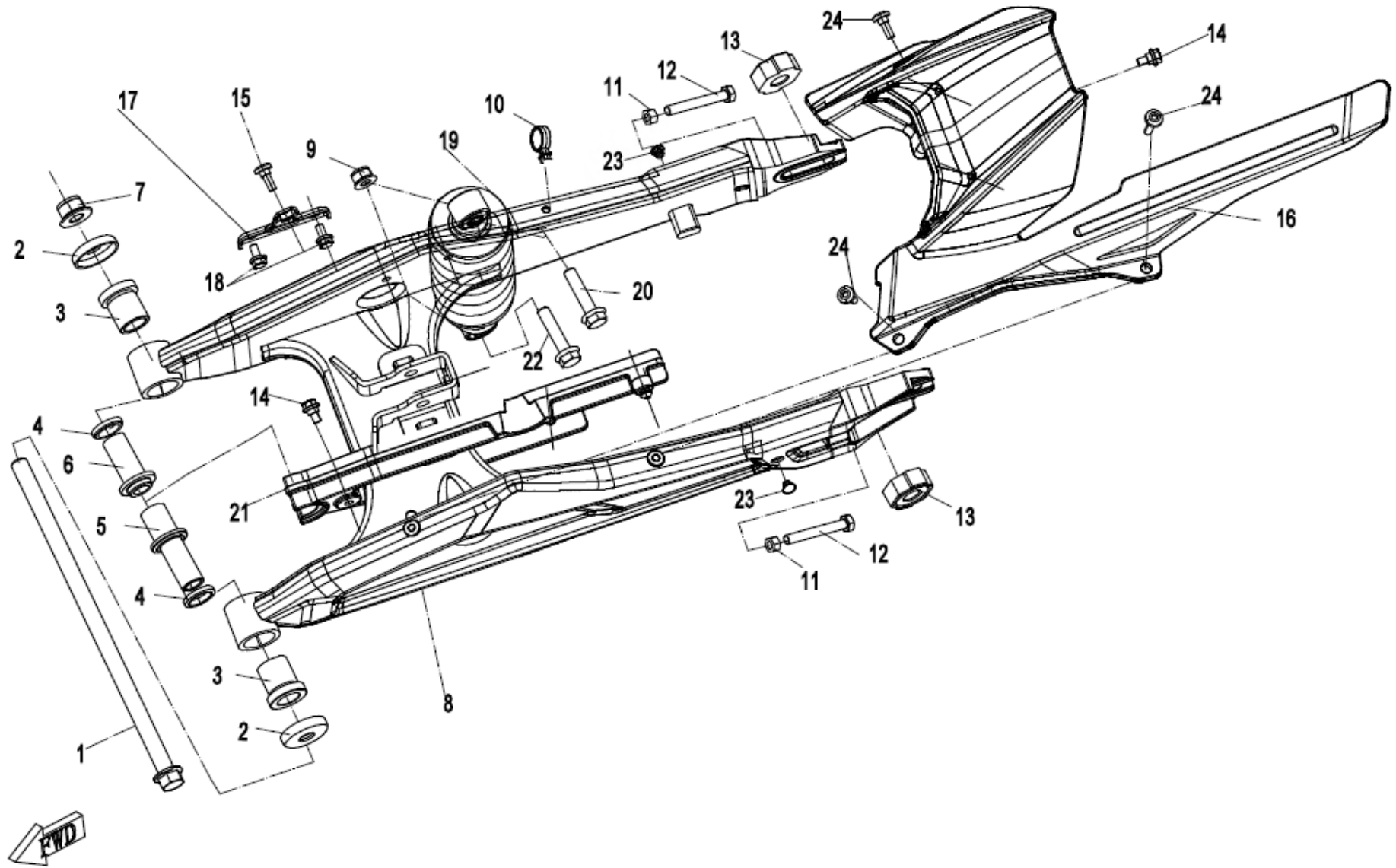
F05-B 前悬架(赛道版) FRONT SUSPENSION(TORQUISE BLUE)



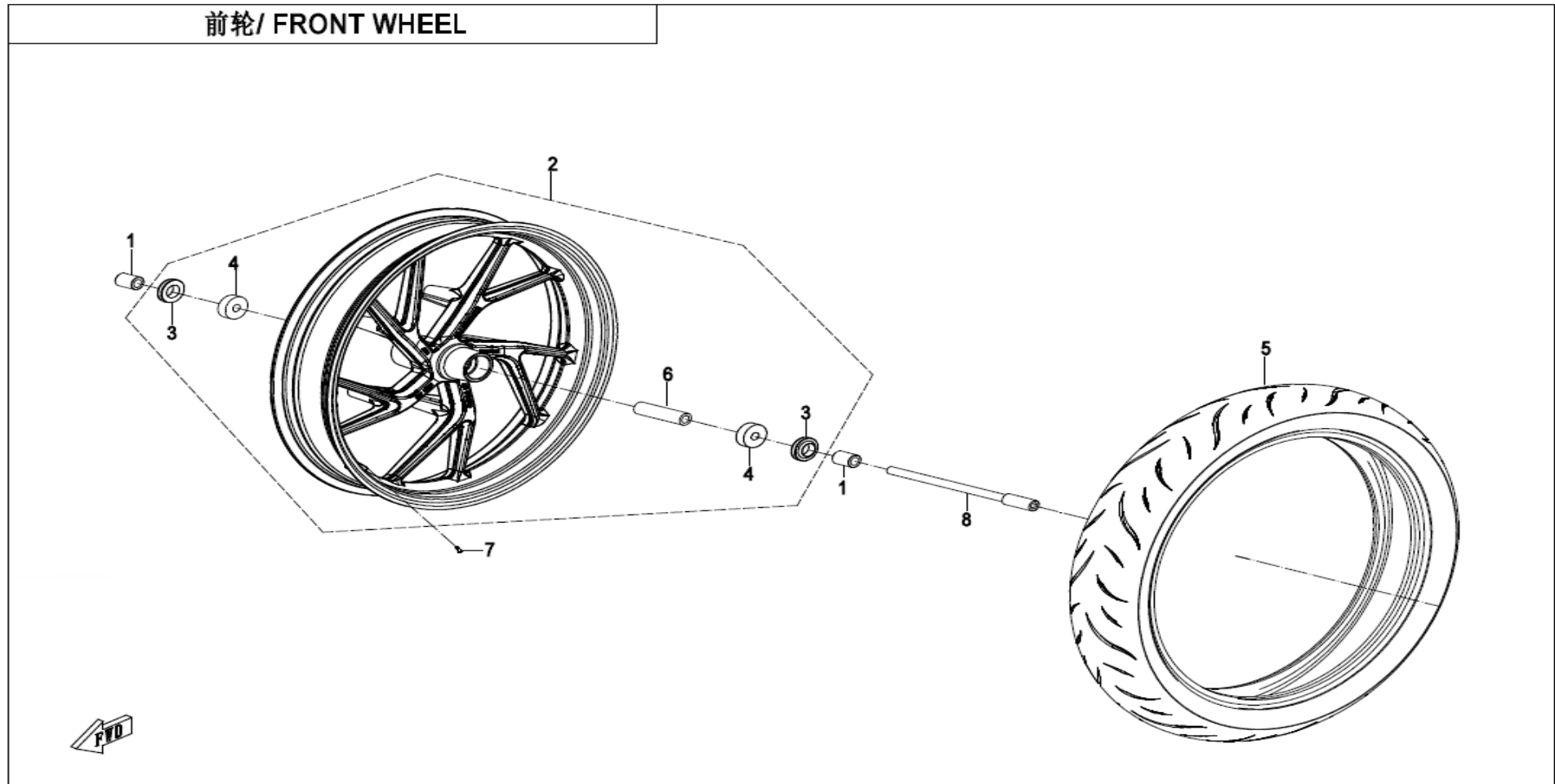
Item No	Parts Number	Parts Name(EN)	Qty	Specification
01	A000-050005	RUBBER PLUG 1	1	
02	A000-050003	LOCK SCREW, UPPER TRIPLE CLAMP	1	
03	A000-050004	WASHER	1	5
04	6KMV-050001-8102	UPPER TRIPLE CLAMP	1	
05	30102-080030860	SCREW (M8×30)	6	
06	6KM#-040702-8000	INNER HEX SCREW M6x12	2	
07	30006-060012810	BOLT (M6×12)	4	
08	6NQ#-000205-6001	MOUNTING SCREW, CHAIN GUARD	4	
09	A000-050006	LOCK NUT 1	1	
10	A000-050008	WASHER	1	5
11	A000-050007	LOCK NUT 2	1	
12	A000-050009	DUST CAP, UPPER RETAINER	1	
13	A000-050100-10000	STEERING BEARING ASSY	2	
14	A000-050400	ANTI-DUST CAP, LOWER RETAINING RING	1	
15	6KJ0-050300-0BP00	FORNT FORK AND LOWER TRIPLE CLAMP ASSY	1	MAUD SPIRIT BLACK
17	A000-0501B0	STEERING BEARING ASSY	1	
18	30110-421130010	SELF-TAPPING SCREW (ST4.2×13)	3	
19	6KM#-050009-8001-0BM00	FRONT FENDER FRONT PART (NEBULA BLACK)	1	
19	6KM#-050009-8001-0VE00	FRONT FENDER FRONT PART (NEBULA WHITE)	1	
20	A000-050011	RUBBER PLUG 2	1	
21	6KM#-050011-8001-0B800	FRONT FENDER REAR PART (MATTE PEARL BLACK)	1	
21	6KM#-050011-8001-0BM00	FRONT FENDER REAR PART (NEBULA BLACK)	1	
22	6KM#-050400-8100	FRONT RH SHOCK ABSORBER (GOLD)	1	GOLD
23	6KM#-050300-8100	FRONT LH SHOCK ABSORBER (GOLD)	1	GOLD
24	6KM#-050030-8100	SIDE REFLECTOR	2	
25	30102-080040810	SCREW M8x40	2	
26	6KM#-030020-8000-0B200	FRONT FENDER LH BRACKET	1	MATTE BLACK
27	6KM#-030030-8000-0B200	FRONT FENDER RH BRACKET	1	MATTE BLACK

F06-B-V2 后悬架(钣金) REAR SUSPENSION(SHEET METAL)

后悬架/ REAR SUSPENSION

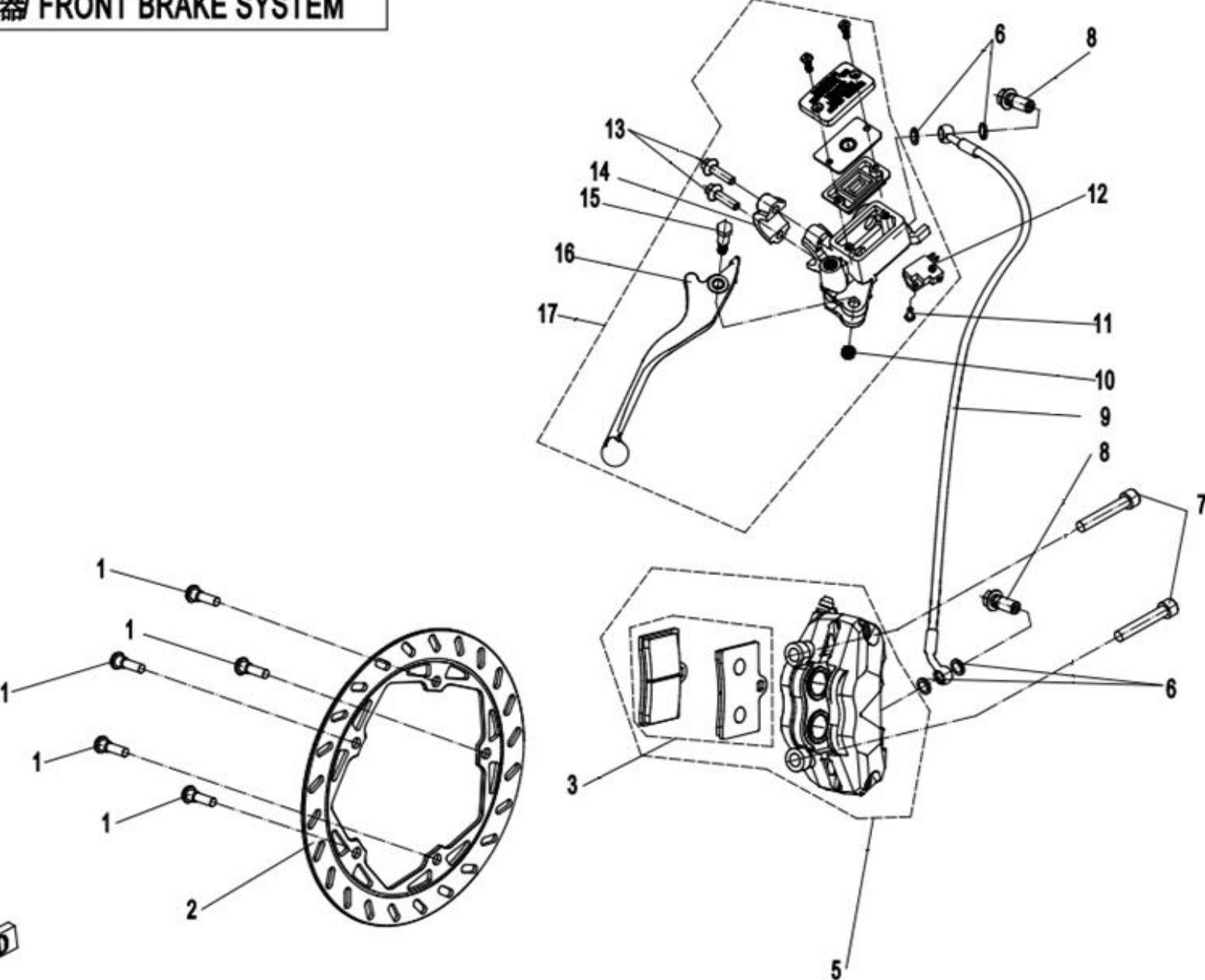


Item No	Parts Number	Parts Name(EN)	Qty	Specification
01	6KM0-060001-10000	REAR FORK SHAFT	1	
02	6KMV-060010-8001	DUST BOOT COVER 1, REAR SWING ARM	2	
03	6100-060008	OUTER BUSHING, REAR SWING ARM	2	
04	6090-060005	ANTI-DUST RING	2	
05	6KJ0-060003-00001	LH INNER BUSHING, REAR SWING ARM	1	
06	6KJ0-060004-00001	RH INNER BUSHING, REAR FORK	1	
07	30204-143810	NUT M14×1.5	1	
08	6KMV-060300-C001-0BB00	REAR FORK	1	PLASTIC POWDER
09	30204-102810	NUT M10×1.25	1	
10	A000-050015	WIRE CLIP, FRONT BRAKE FLUID HOSE	2	
11	30200-080810	NUT M8	2	
12	30004-080060810	BOLT M8x60	2	
13	6KJ0-060002-1BB00	ADJUSTING BLOCK	2	PLASTIC POWDER
14	8010-000004	BOLT M6x14	2	
15	A000-040702	INNER HEX SCREW M6x12	1	
16	6KMV-060007-6001	REAR INNER FENDER	1	
17	6KM0-060410	BRACKET, FENDER	1	ELECTROPHORESIS BLACK
18	30006-060012870	BOLT M6×12	2	
19	6KMV-060100-6000-M1-0V000	REAR SHOCK ABSORBER	1	
20	30006-102045810	BOLT (M10×1.25×45)	1	
21	6KM0-060201	CHAIN GUIDE	1	
22	30006-102050810	BOLT M10×1.25×50	1	
23	6KM#-100002-8000	PLUG	2	
24	6KM0-060002	MOUNTING SCREW, CHAIN GUARD	3	

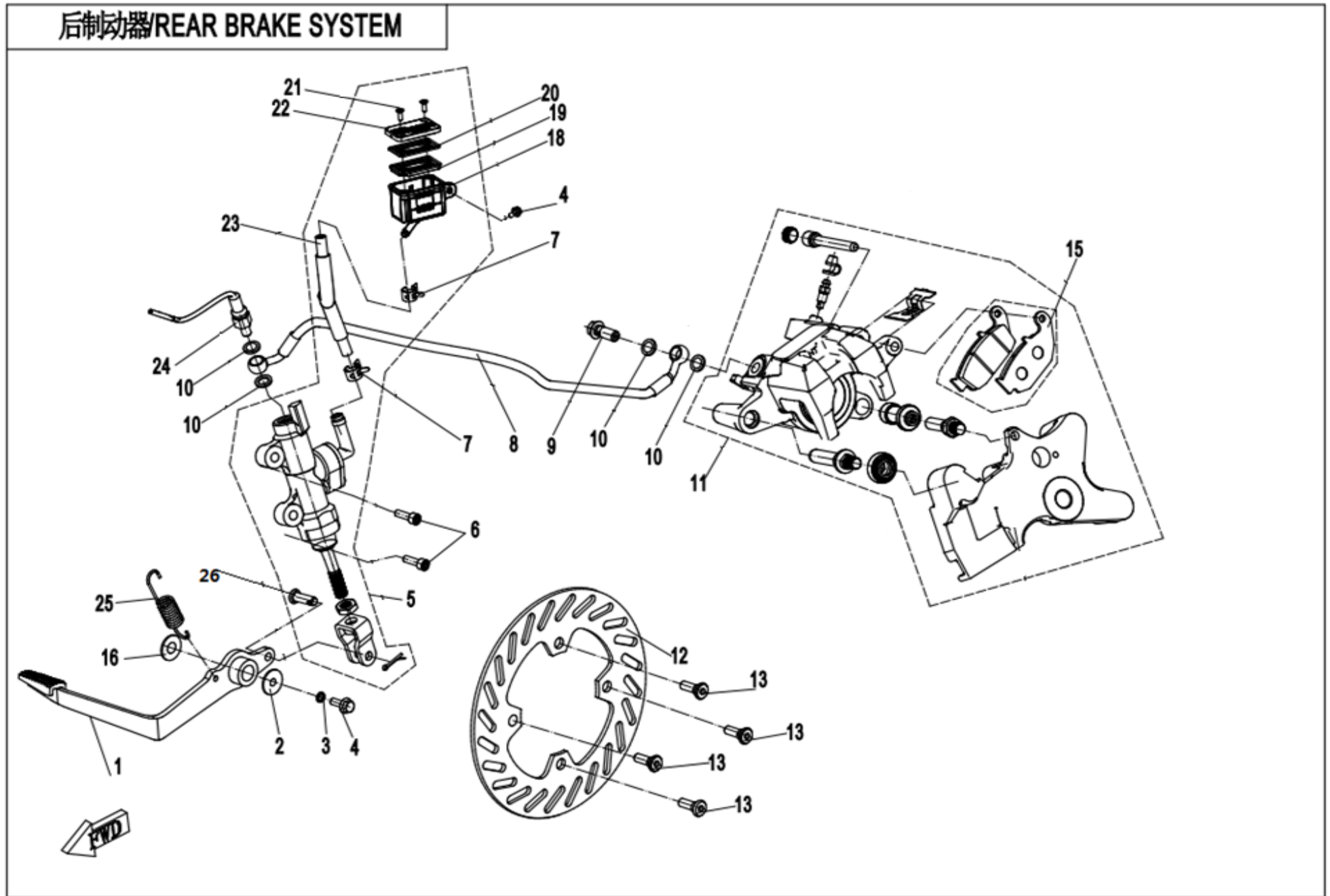


Item No	Parts Number	Parts Name(EN)	Qty	Specification
01	6KJ0-070002	COLLAR, FRONT WHEEL AXLE	2	
02	6KM#-070100-6002-10	FRONT RIM ASSY	1	
03	6KJ0-070024	OIL SEAL	2	
04	30400-01281	BEARING (6301-2RS)	2	
05	3070SH-174700	TIRE	1	
06	6KM#-070103-6001	MIDDLE SPACER, FRONT RIM	1	
07	5190-070030-1000	VALVE, INFLATION	1	
08	6KJ0-070001-10000	AXLE, FRONT WHEEL	1	

前制动器/ FRONT BRAKE SYSTEM

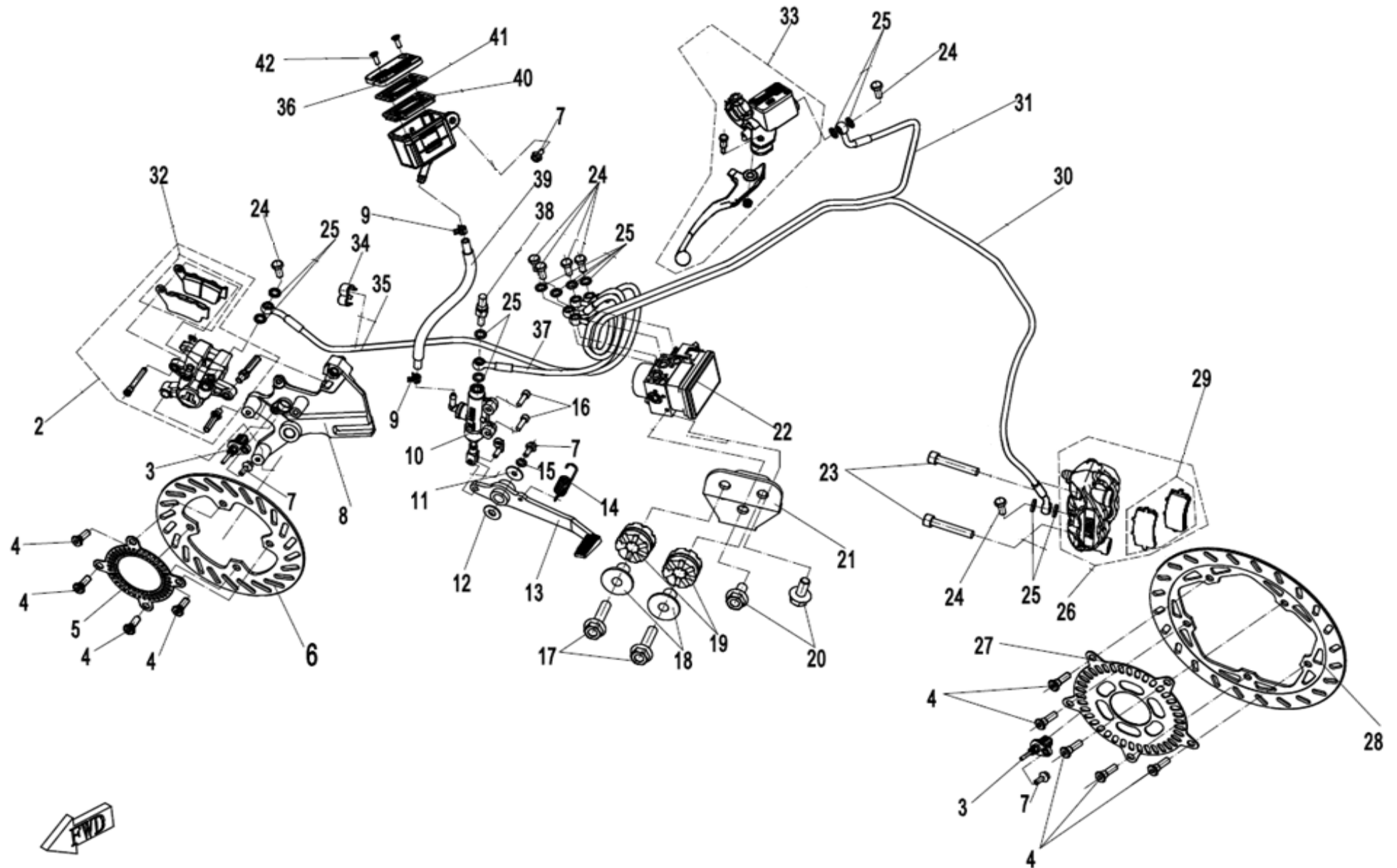


Item No	Parts Number	Parts Name(EN)	Qty	Specification
01	6KJ0-080005	FRONT BRAKE DISC BOLT	5	
02	6KJ0-080001-20000	FRONT BRAKE DISC	1	
03	6KM0-0812B0	FRONT BRAKE PAD ASSY	1	
05	6KM#-081200-8100	FRONT BRAKE CALIPER ASSY	1	
06	A000-080102-2000	WASHER	4	
07	30102-102060810	SCREW M10x1.25x60	2	
08	7020-081004	BANJO BOLT	1	
09	6KM0-081010-30000	FRONT BRAKE FLUID HOSE ASSY	1	
10	30204-060810	NUT M6	1	
11	30116-040010440	SCREW ASSY M4x10	1	
12	6KM0-081102-20000	BRAKE SWITCH	1	
13	6090-080127	HALF-CAP BOLT	2	
14	6090-080126	HALF COVER	1	
15	6090-080124	HANDLE BOLT	1	
16	6KM0-081101-20000	BRAKE LEVER	1	
17	6KM0-081100-20000	MASTER CYLINDER, HAND BRAKE	1	



Item No	Parts Number	Parts Name(EN)	Qty	Specification
01	6KM#-080300-8000-0BP00	BRAKE PEDAL ASSY	1	MAUD SPIRIT BLACK
02	A000-080006-10000	WASHER 1	1	
03	30303-060112	WASHER	1	φ6
04	30006-060016870	BOLT M6×16	2	
05	6KM0-091200-30000	REAR BRAKE MASTER CYLINDER	1	
06	30102-060022810	SCREW M6x22	2	
07	A000-080213-2000	CLIP	2	
08	6KM0-091010-20000	REAR BRAKE FLUID HOSE ASSY	1	
09	7020-081004	BANJO BOLT	1	
10	A000-080102-2000	WASHER	4	
11	6KM0-091100-20000	CALIPER, REAR BRAKE	1	
12	6KJ0-080002-10000	REAR BRAKE DISC	1	
13	6KJ0-080005	FRONT BRAKE DISC BOLT	4	
15	6KM0-0911A0	REAR BRAKE PAD ASSY	1	
16	A000-080007-10000	WASHER 2	1	
18	6KM0-091204-20000	FLUID RESERVOIR	1	
19	6KM0-091203-20000	SEALING GASKET, FLUID RESERVOIR	1	
20	6KM0-091202-20000	SEALING LINER, FLUID RESERVOIR	1	
21	A000-080229-2000	SCREW, FLUID RESERVOIR CAP	2	
22	6KM0-091201-20000	CAP, FLUID RESERVOIR	1	
23	6KM0-091220-20000	FLUID RESERVOIR HOSE	1	
24	6KJ0-084416	HYDRAULIC INDUCTION SWITCH	1	
25	6NTG-080005	RETURN SPRING	1	
26	30904-0602240	PIN SHAFT	1	

液压制动总成 / HYDRAULIC BRAKE ASSY

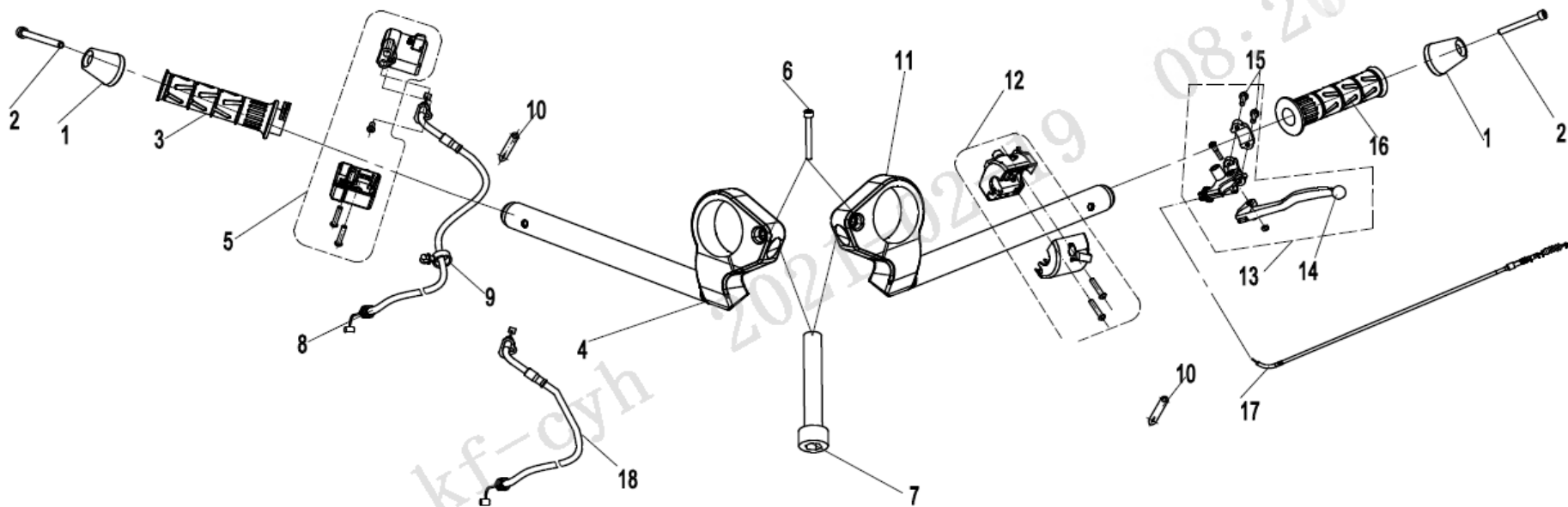


Item No	Parts Number	Parts Name(EN)	Qty	Specification
02	6KM#-091100-8001	RAER BRAKE CALIPER ASSY	1	
03	6KMV-080004-8500-M1	SPEED SENSOR	1	
04	6KJ0-080005	FRONT BRAKE DISC BOLT	9	
05	6NTG-080009	REAR GEAR RING	1	
06	6KJ0-080002-10000	REAR BRAKE DISC	1	
07	30006-060016870	BOLT M6×16	3	
08	6KM#-091100-8000-20	BRACKET	1	
09	A000-080213-2000	CLIP	2	
10	6KM0-091200-30000	MASTER CYLINDER, REAR BRAKE	1	
11	A000-080006-10000	WASHER 1	1	
12	A000-080007-10000	WASHER 2	1	
13	6KM#-080300-8000-0BP00	BRAKE PEDAL ASSY	1	MAUD SPIRIT BLACK
14	6NTG-080005	RETURN SPRING	1	
15	30303-060112	WASHER	1	φ6
16	30102-060022810	SCREW M6x22	2	M6x22
17	30006-060025810	BOLT	2	M6×25
18	5020-031002	RUBBER SLEEVE LINER, FRONT LICENSE BRACKET	2	
19	5020-031001	RUBBER SLEEVE, FRONT LICENSE BRACKET	2	
20	30006-060012870	BOLT	2	M6×12
21	6KM0-030040-0B200	ABS BRACKET	1	MATTE BLACK
22	6KMV-081500-B000	MAB EXECUTION UNIT	1	
23	30102-102060810	SCREW M10x1.25x60	2	M10x1.25x60
24	6KM#-080103-8101	BOLT	7	
25	6KM#-081000-8100-20	REATAINER	16	
26	6KM#-081200-8100	FRONT BRAKE CALIPER ASSY	1	
27	6KJ0-080004	INDUCTION PLATE, COUNTER	1	
28	6KJ0-080001-20000	FRONT BRAKE DISC	1	
29	6KM#-0812A0-8100	FRONT BRAKE PAD ASSY	1	
30	6KM#-081020-8100	OIL OUTLET HOSE, FRONT CALIPER	1	
31	6KM#-081010-8100	OIL INLET HOSE, FRONT CALIPER	1	
32	6KM0-0911A0	REAR BRAKE PAD ASSY	1	
33	6KMV-081100-B100-M1	MASTER CYLINDER, HAND BRAKE	1	
34	6KM#-080002-8000	RUBBER OIL HOSE CLIP	3	

35	6KM#-081040-8100	OIL OUTLET HOSE, REAR CALIPER	1	
36	6KM0-091201-20000	CAP, FLUID RESERVOIR	1	
37	6KM#-081030-8100	OIL INLET HOSE, REAR CALIPER	1	
38	6KM#-081700-8000-M1	HYDRAULIC SWITCH ASSY	1	
39	6KM0-091220-20000	FLUID RESERVOIR HOSE	1	
40	6KM0-091203-20000	SEALING GASKET, FLUID RESERVOIR	1	
41	6KM0-091202-20000	SEALING LINER, FLUID RESERVOIR	1	
42	A000-080229-2000	SCREW, FLUID RESERVOIR CAP	2	

F10 转向系统 STEERING SYSTEM

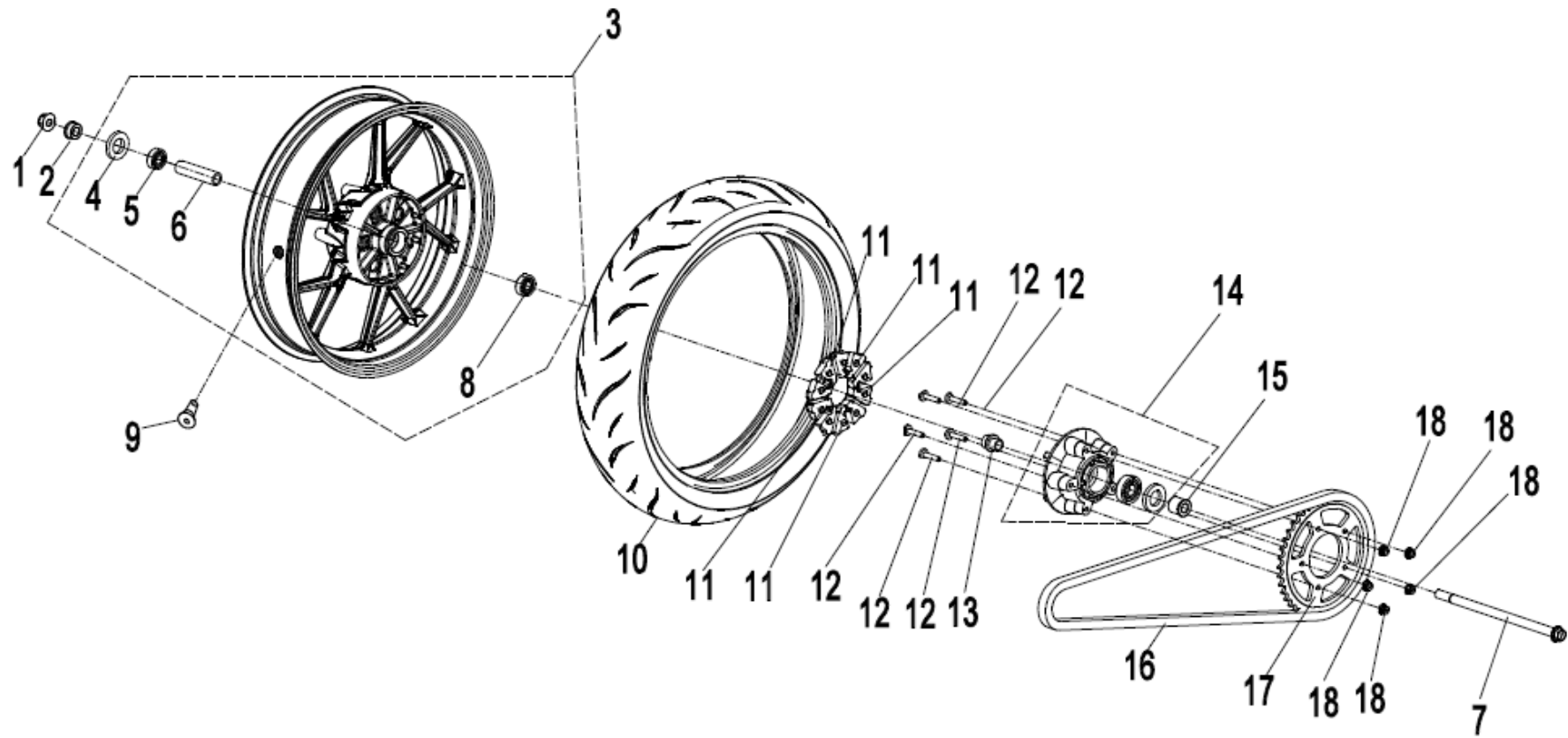
F10操纵、转向机构总成/STEERING SYSTEM



Item No	Parts Number	Parts Name(EN)	Qty	Specification
01	6KM#-100001-8201-0BP00	BALANCE BLOCK	2	
02	30102-060045870	SCREW M6×45	2	
03	A000-100010-20000	RH HAND GRIP ASSY	1	
04	6KM#-100200-8200-0BP00	RH HANDLEBAR	1	
5	6KM#-168000-8201	RH HANDLEBAR SWITCH ASSY	1	for single throttle cable(2020)
05	6KMV-168000-8600	HANDLEBAR SWITCHES ASSY, RH	1	for double throttle cable(2021)
06	30102-060025870	SCREW M6x25	2	
07	30102-080030860	SCREW M8×30	2	
08	6KM#-100300-8001	THROTTLE CABLE	1	for single throttle cable(2020)
8	6KMV-100600-8500	THROTTLE CABLE	2	for double throttle cable(2021)
09	A000-050015	WIRE CLIP, FRONT BRAKE FLUID HOSE	1	
10	6KJ0-100002	CLUTCH PULL BINDING	2	
11	6KM#-100100-8204	LH HANDLEBAR ASSY	1	
12	6KMV-166000-8003	LH HANDLEBAR SWITCH ASSY	1	
13	6FI3-100300-10000	CLUTCH LEVER ASSY	1	
14	6FI3-100301	CLUTCH LEVER	1	
15	30102-060022810	SCREW M6x22	2	
16	A000-100001-10000	LH HAND GRIP	1	
17	6KM#-100400-8001	CLUTCH CABLE	1	

F11 后轮 REAR WHEEL

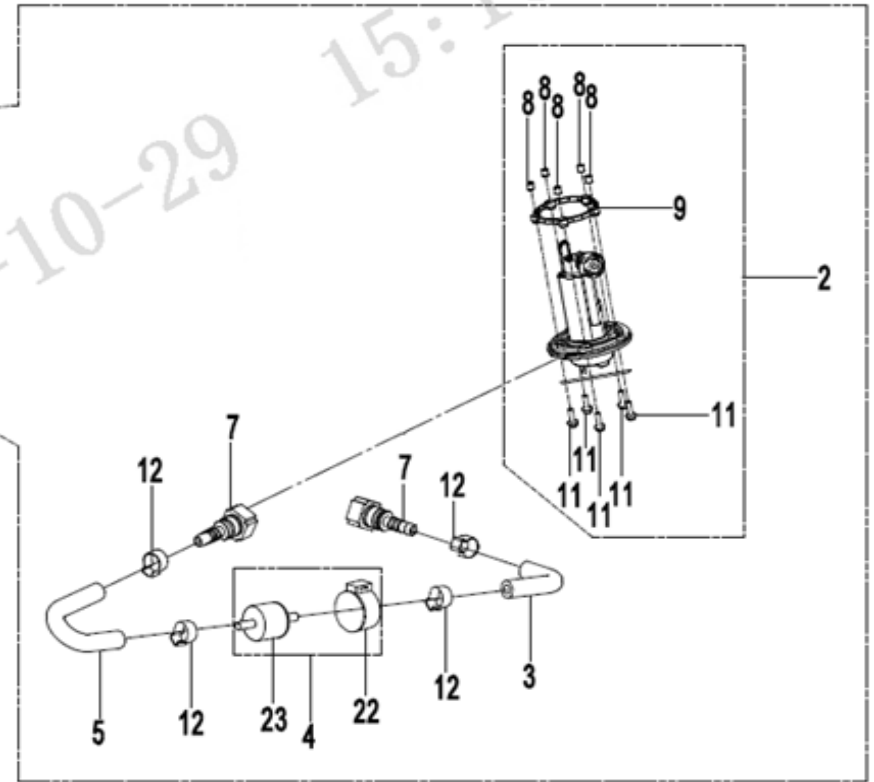
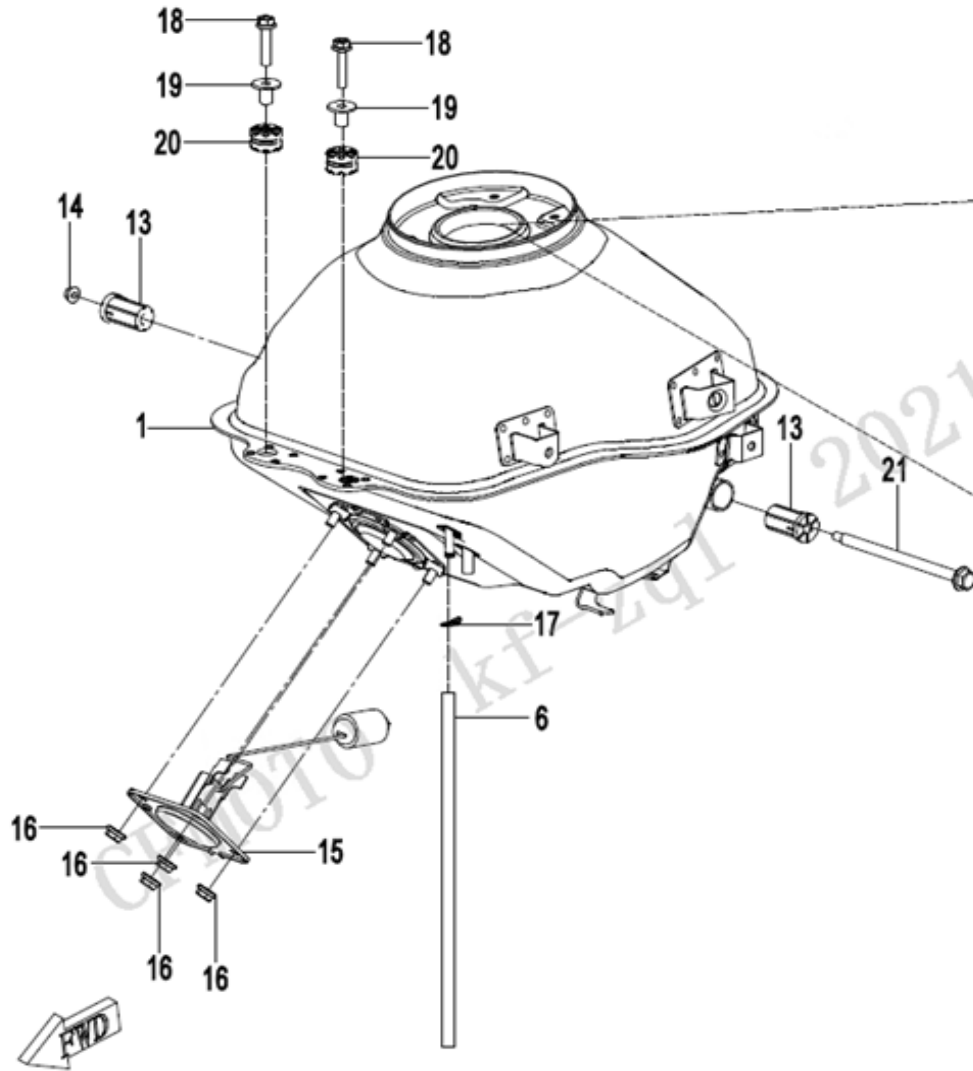
后轮/ REAR WHEEL



Item No	Parts Number	Parts Name(EN)	Qty	Specification
01	30204-143810	NUT M14×1.5	1	
02	6KJ0-110001-10000	RH SHAFT SLEEVE, REAR WHEEL	1	
03	6KM#-110100-6002-10	REAR RIM ASSY	1	
04	30500-027800N	OIL SEAL FB27x47x7	1	
05	30400-01583	BEARING 6302-2RS	1	
06	6KM#-110103-6001	MIDDLE SPACER, REAR RIM	1	
07	6KJ0-110005-20000	REAR WHEEL SHAFT	1	
08	30400-01580	BEARING 6202-2RS	1	
09	5190-070030-1000	VALVE, INFLATION	1	
10	3070SH-174800	TIRE	1	
11	6KM0-110004	RUBBER DAMPER, SPROCKET SOCKET	5	
12	6KJ0-110003	BOLT	5	
13	6KM0-110003-10000	BUSHING, SPROCKET SOCKET	1	
14	6KM0-110200-10000	SPROCKET SOCKET	1	
15	6KM0-110002-10000	SHAFT SLEEVE, REAR WHEEL	1	
16	3120924	CHAIN	1	
17	6KM#-110005-8003	REAR SPROCKET	1	
18	30204-080810	LOCK NUT M8	5	

F12-V2 油箱 FUEL TANK

F12油箱/FUEL TANK

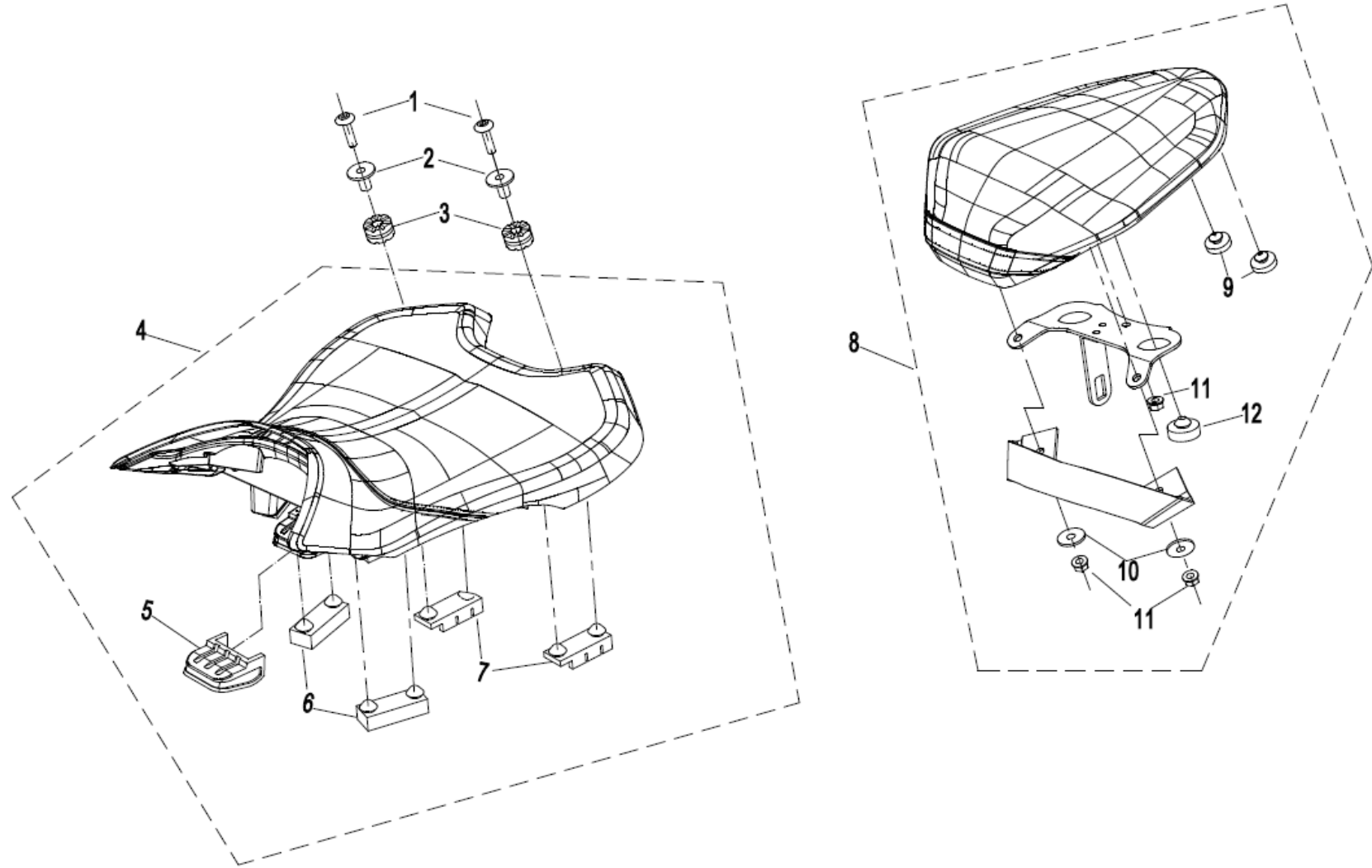


10-29

Item No	Parts Number	Parts Name(EN)	Qty	Specification
01	6KM#-121000-8000	FUEL TANK ASSY	1	
02	6KJV-150900-8001	FUEL PUMP ASSY	1	
03	6KM0-120220	HIGH-PRESSURE FUEL HOSE,II	1	
04	6090-120220	FUEL FILTER ASSY, EFI	1	
05	6KM0-120210	HIGH-PRESSURE FUEL HOSE, I	1	
06	6NQ0-120001	FUEL PIPE, FUEL TANK	1	
07	6KJ0-120330-10000	QUICK JOINT	2	
09	6KJ0-150902	SEAL WASHER, TOP COVER	1	
11	30006-050020810	BOLT M5×20	5	
12	6070-120400	CLAMP Dia14.5	4	
13	6KM0-120002	RUBBER BUSHING, FUEL TANK	2	
14	30204-060810	NUT M6	1	
15	6KM0-170200-20001	FUEL LEVEL SENSOR	1	
16	30202-060110	NUT M6	4	
17	30601-111010	CLAMP A11	1	
18	30006-060025810	BOLT M6×25	2	
19	6KM0-120010	T-TYPE BUSHING ASSY	2	
20	5020-031001	RUBBER SLEEVE, FRONT LICENSE BRACKET	2	
21	6KM0-120001-10000	ROTATION SHAFT, FUEL TANK	1	
22	6090-120221	RUBBER SLEEVE, FUEL FILTER, EFI	1	
23	805A-120004	FUEL FILTER, EFI	1	

F13-A 座垫(星光白) SEAT (NEBULA WHITE)

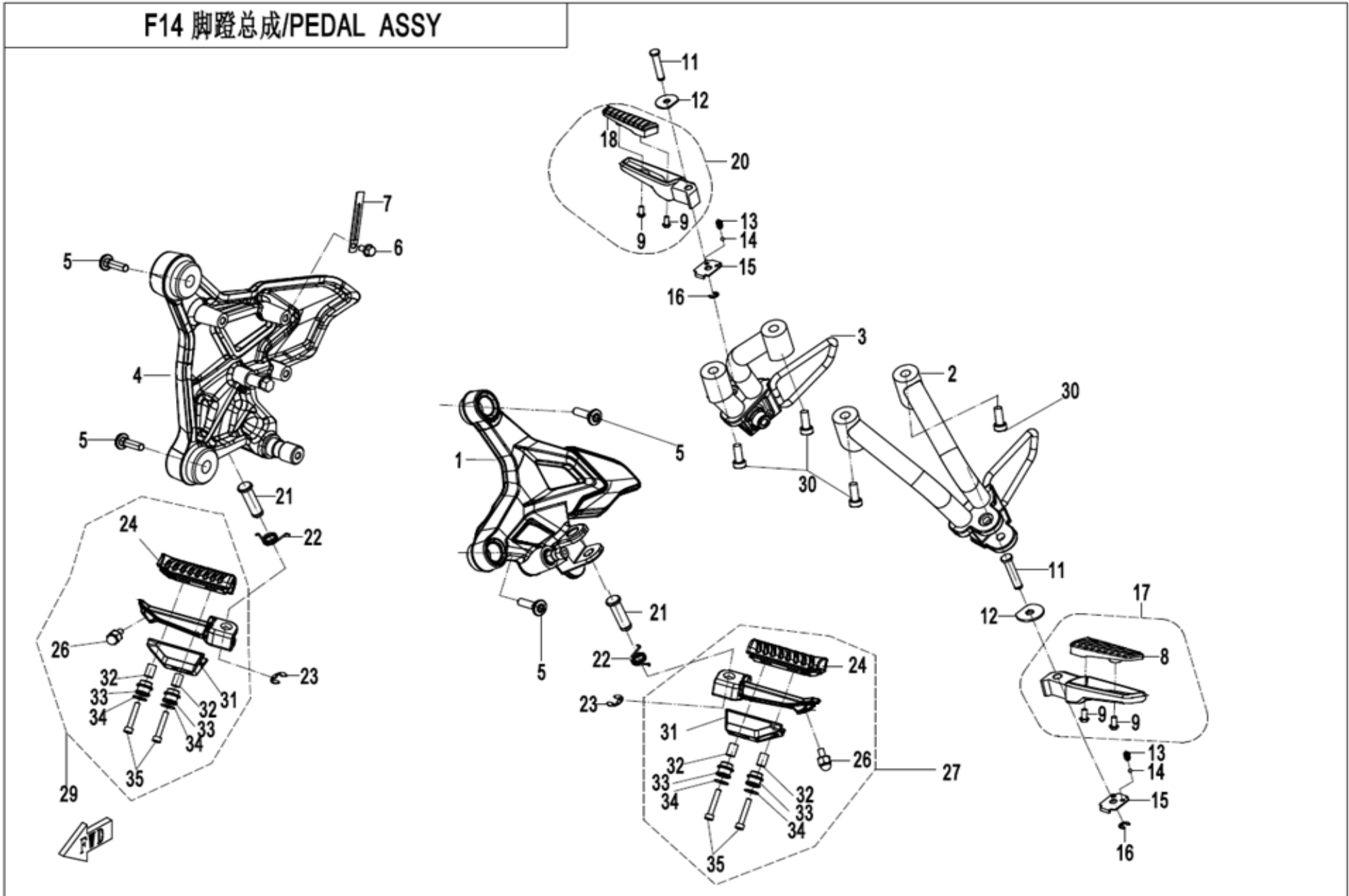
F13座垫总成/SEAT ASSY



Item No	Parts Number	Parts Name(EN)	Qty	Specification
01	6NTG-200424	INNER HEX SCREW M6x25	2	
02	6KM0-130010	T-TYPE BUSHING ASSY	2	
03	5020-031001	RUBBER SLEEVE, FRONT LICENSE BRACKET	2	
04	6KM#-130100-8000	FRONT SEAT ASSY	1	
05	6KM0-130106	RUBBER SLEEVE	1	
06	6KM0-130104	RUBBER DAMPER	2	
07	6KM0-130105	RUBBER DAMPER	2	
08	6KM#-130200-8001	REAR SEAT ASSY	1	
09	6KM0-130204	RUBBER DAMPER	2	
10	30306-060112	WASHER	2	
11	30202-060110	NUT	3	
12	6KM0-130205	RUBBER DAMPER	1	

F14 脚蹬 FOOTREST

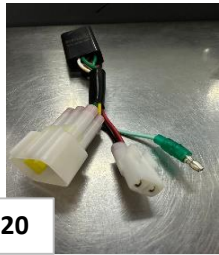
F14 脚蹬总成/PEDAL ASSY



Item No	Parts Number	Parts Name(EN)	Qty	Specification
01	6KM#-140100-8001	FRONT LH FOOTREST BRACKET ASSY	1	
02	6KM#-140030-8000-0BP00	REAR LH FOOTREST BRACKET	1	MAUD SPIRIT BLACK
03	6KM#-140040-8001-0BP00	REAR RH FOOTREST BRACKET	1	MAUD SPIRIT BLACK
04	6KM#-140200-8002	FRONT RH FOOTREST BRACKET ASSY	1	
05	6KM0-140103	BOLT M8x25	4	
06	30102-060012810	SCREW M6x12	1	
07	0180-014010	WIRE CLIP	1	
08	6KJ0-140132	RUBBER, LH FOOT PEDAL	1	
09	30105-050012410	SCREW M5x12	4	
11	A000-140142	PIN SHAFT Dia 8	2	
12	A000-140106	LOCATING GASKET 2	2	
13	5190-037813	SPRING	2	
14	5190-037814	STEEL BALL	2	
15	A000-140104	LOCATING GASKET 1	2	
16	30802-00605	CIRCLIP	2	6
17	6KJ0-140150-2B210	REAR LH FOOTREST ASSY	1	MATTE BLACK
17	6KJ0-140150-2BP00	LH REAR FOOTREST PEDAL	1	MAUD SPIRIT BLACK
18	6KJ0-140142	RUBBER ASSY, RH FOOTREST	1	
20	6KJ0-140160-2B200	REAR RH FOOTREST ASSY	1	MATTE BLACK
20	6KJ0-140160-2BP00	RH REAR FOOTREST PEDAL	1	MAUD SPIRIT BLACK
21	A000-140141	PIN SHAFT Dia 12	2	
22	A000-140103-10000	TORSION SPRING	2	
23	30802-00903	SPLIT WASHER	2	9
24	6KM0-140170	RUBBERS, FOOTREST	2	
26	6KM0-130123	BOLT	2	
27	6KM0-140130-1B200	FRONT LH FOOTREST ASSY	1	
27	6KM0-140130-1BP00	LH FRONT FOOTREST PEDAL	1	MAUD SPIRIT BLACK
29	6KM0-140140-1B200	FRONT RH FOOTREST ASSY	1	
29	6KM0-140140-1BP00	RH FRONT FOOTREST PEDAL	1	MAUD SPIRIT BLACK
30	30102-080020810	SCREW M8x20	4	
31	6KM#-140001-8001-0BP00	BALANCE BLOCK, FOOTREST	2	MAUD SPIRIT BLACK
32	6NTG-200419	BUSHING	4	
33	6KN0-140002	CUSHION RUBBER	4	

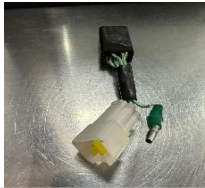
34	30305-050112	WASHER	4	φ5
35	30102-050030860	SCREW M5x30	4	

F15 电器系统/ELECTRIC SYSTEM



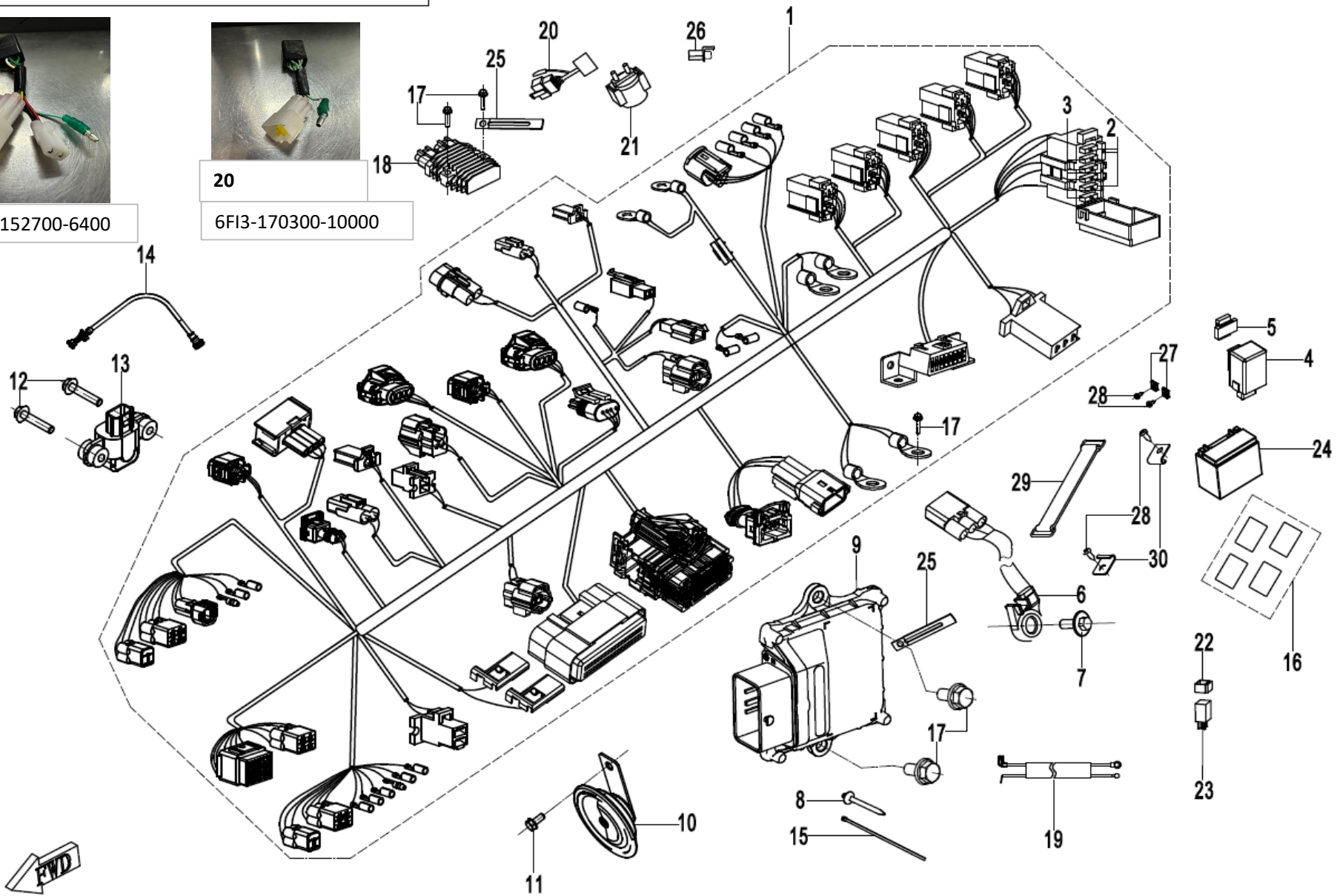
20

6kmv-152700-6400



20

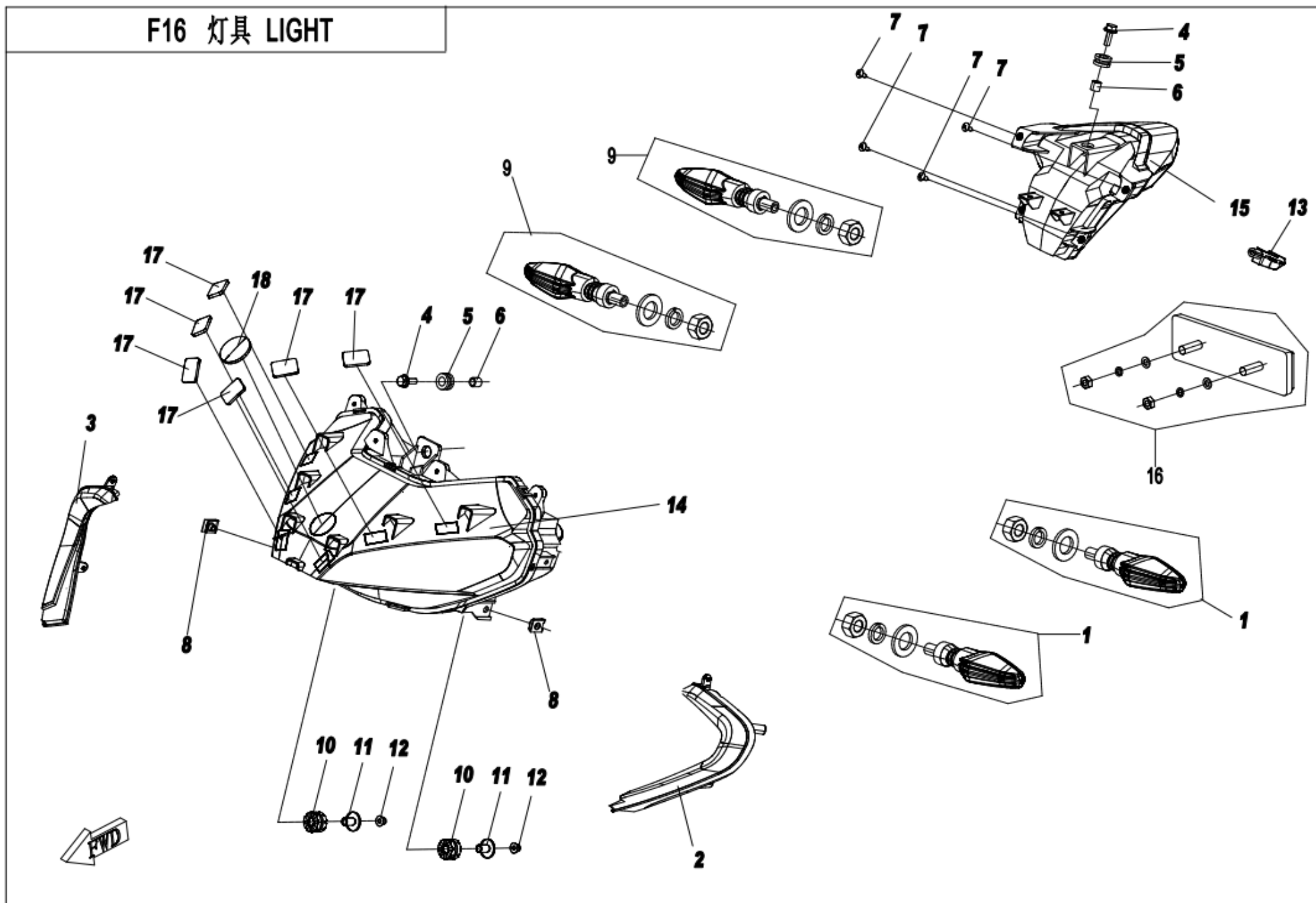
6F13-170300-10000



Item No	Parts Number	Parts Name(EN)	Qty	Specification
01	6KM#-150100-8103	MAIN CABLE	1	use with 6FI3-170300-10000
01	6KMV-150100-8105	MAIN CABLE	1	use with 6KMV-152700-6400
02	806A-151302	FUSE 10A	3	
03	806A-151305	FUSE 15A	6	
04	6KM0-150340	FLASHER	1	
05	8010-150002	CUSHION WASHER, FLASHER	1	
06	6070-151200-1000	SIDE STAND SWITCH	1	
07	8010-090005	BOLT M6x16	1	
08	7030-150005	TIE BAND	5	
09	6KM#-001000-8200	ECU ASSY	1	
10	6NT1-150600	HORN	1	
11	30006-080014810	BOLT M8x14	1	
12	30006-050020810	BOLT M5x20	2	
14	0HU0-176000	OXYGEN SENSOR	1	
15	8010-150003	TIE 5x250	13	
16	9010-120008	FUEL TANK SPONGE	6	
17	30006-060012810	BOLT M6x12	3	
18	0A80-177000-00001	REGULATOR	1	
19	6KMV-150020-8004	"POSITIVE/NEGATIVE CABLE, START MOTOR	1	
20	6FI3-170300-10000	GEAR CONTROL UNIT	1	<i>Refer Sample Picture</i>
20	6KMV-152700-6400	GEAR CONTROL UNIT	1	<i>Refer Sample Picture</i>
21	6KJ0-150500	RELAY, STARTER	1	
22	9010-150002	RUBBER RING, AUXILIARY RELAY	5	
23	5BY4-150330	AUXILIARY RELAY	5	
24	31020902	BATTERY	1	
25	0180-014010	WIRE CLIP	2	
26	6090-150500	DIODE, STARTER	1	
27	8080-000002	CLIP NUT ST4.8	2	
28	30110-481130010	SELF-TAPPING SCREW ST4.8x13	4	
29	1080-150700	TIE BAND, BATTERY	1	
30	A000-030005	TIE BAND BRACKET, TOOLS KIT	2	

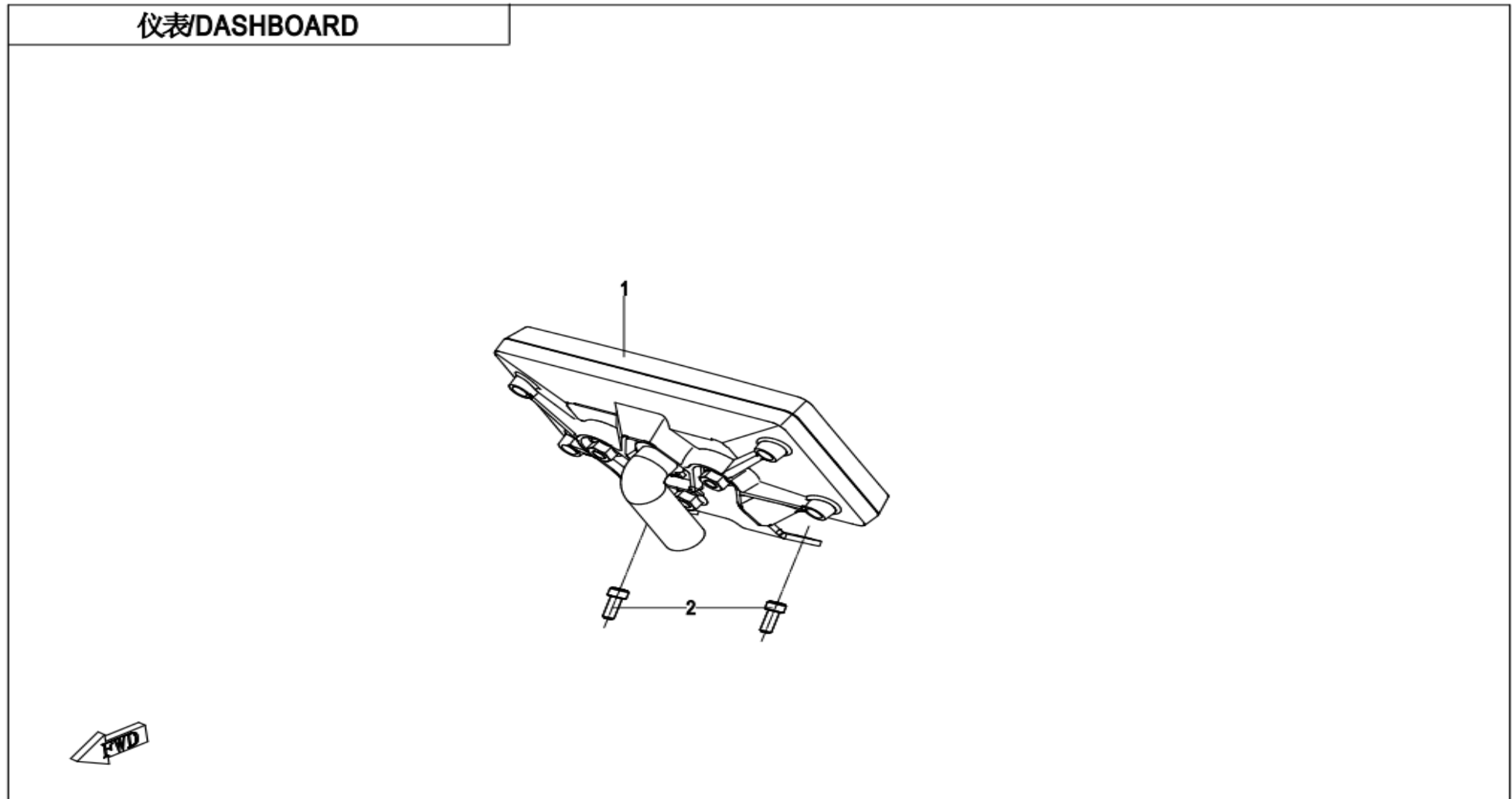
F16 灯具 LIGHTS

F16 灯具 LIGHT



Item No	Parts Number	Parts Name(EN)	Qty	Specification
01	6KM#-160400-8000	LH FRONT TURN LIGHT	1	
02	6KNV-160410-8300	LH FORNT POSITION LIGHT	1	
03	6KNV-160420-8300	RH FORNT POSITION LIGHT	1	
04	30001-060016810	BOLT M6x16	2	
05	6090-040302	CUSHION SLEEVE	2	
06	6090-040303	BUSHING	2	
07	30110-481130010	SELF-TAPPING SCREW ST4.8x13	4	
08	8030-040800-00001	NUT CLIP M6	2	
09	6KM#-160500-8000	RH FRONT TURN LIGHT	1	
10	5020-031001	RUBBER SLEEVE, FRONT LICENSE BRACKET	2	
11	6KM#-160800-8001	RUBBER SLEEVE, FRONT LICENSE BRACKET	2	
12	30206-060510	NUT M6	2	
13	6FIV-160600-6601	LICENSE LIGHT	1	
14	6KMV-160100-8003	HEADLIGHT	1	
15	6KMV-160200-8004	TAIL LIGHT	1	
16	6KM0-160230-00001	REAR REFLECTOR	1	
19	6KM0-160500-00004	FRONT TURN LIGHT, RH	1	
20	6KM0-160400-00004	FRONT TURN LIGHT, LH	1	

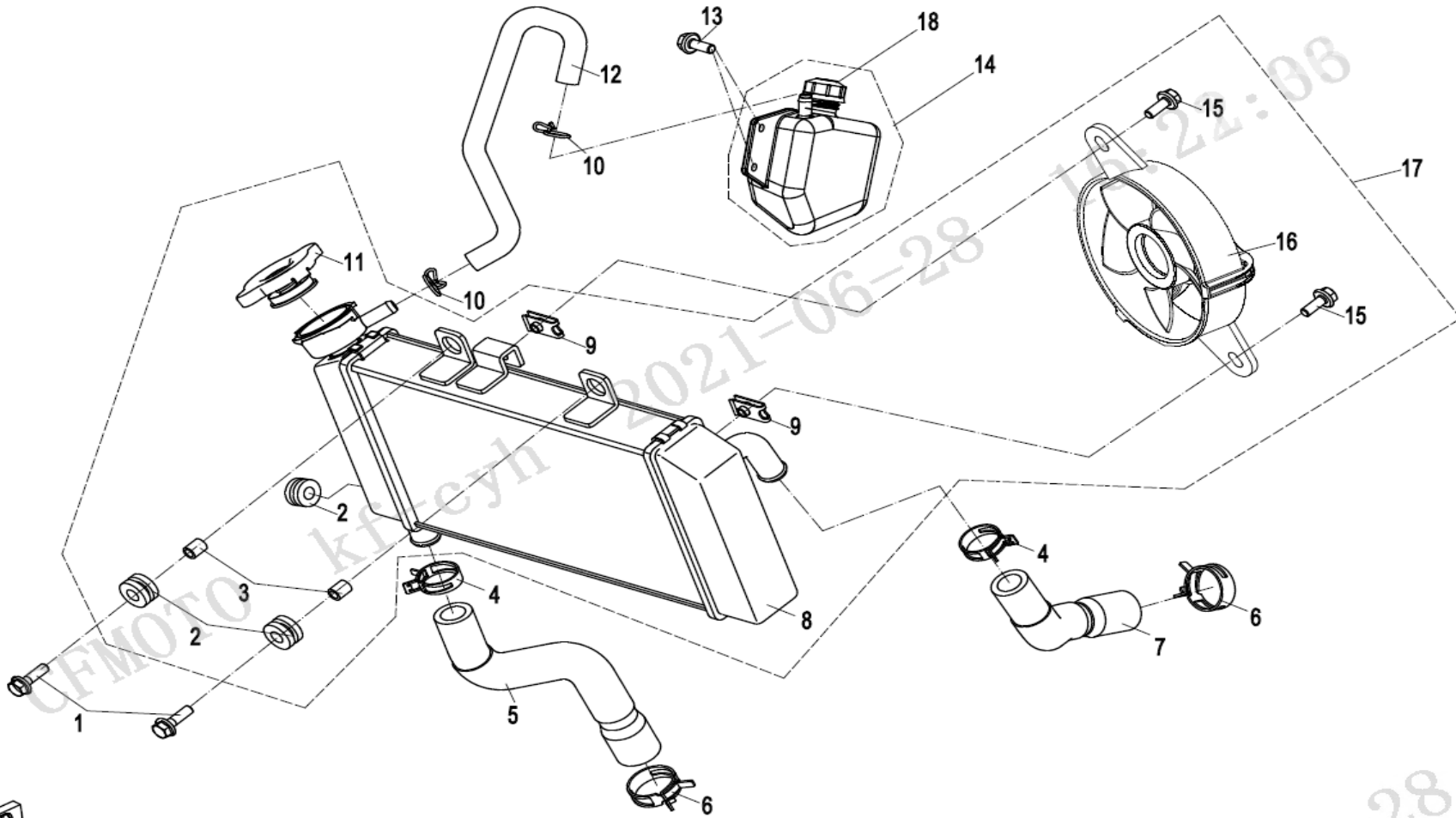
F17-A 仪表(TFT) DASHBOARD(TFT)



Item No	Parts Number	Parts Name(EN)	Qty	Specification
01	6KMV-170100-8204	LCD DASHBOARD	1	
02	30102-060016810	SCREW M6×16	2	

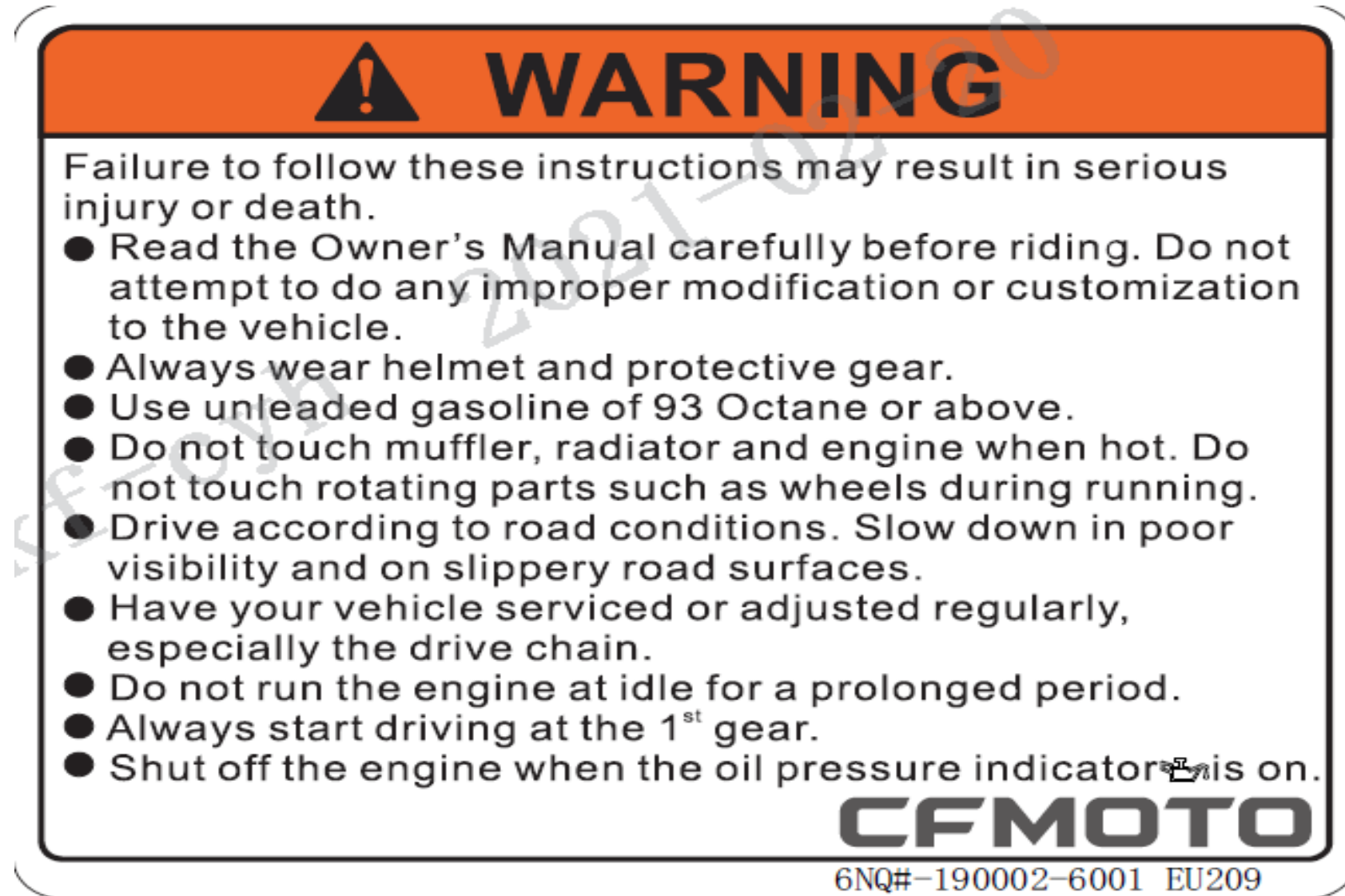
F18 冷却系统 COOLING SYSTEM

冷却系统总成/COOLING SYSTEM ASSY



Item No	Parts Number	Parts Name(EN)	Qty	Specification
01	30006-060020810	BOLT M6×20	2	
02	6KM#-181001-8000	DAMPING RUBBER MAT	3	
03	6090-180002	BUSHING	2	
04	6100-180001	CLAMP B24	2	
05	6KM#-180002-8000	WATER OUTLET PIPE, RADIATOR	1	
06	6KM0-180004	CLAMP B28	2	
07	6KM#-180001-8000	WATER INLET PIPE, RADIATOR	1	
08	6KM#-181100-8004	RADIATOR ASSY	1	
09	8030-040800-00001	NUT CLIP M6	2	
10	30601-113010	CLAMP A13	2	
11	8010-180024	CAP, WATER FILLER	1	
12	6KM#-180003-8000	CONNECTING PIPE, RESERVOIR	1	
13	8010-000004	BOLT M6x14	2	
14	6KMV-180200-8002	RESERVOIR TANK ASSY	1	
15	30004-060016130	BOLT M6x16	2	
16	6KM#-181200-8004	FAN MOTOR ASSY	1	
17	6KM#-181000-8004	RADIATOR FAN ASSY	1	
18	6KM#-180210-8000	RESERVOIR TANK CAP ASSY	1	

F19-1 警告贴花 WARNING DECAL



Item No	Parts Number	Parts Name(EN)	Qty	Specification
01	A000-190102	SAFETY WARNING INSTRUCTION LABEL	1	

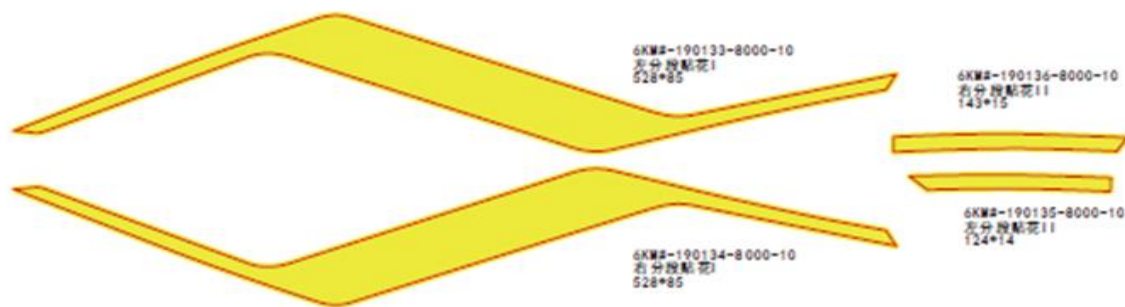
F19-2 DECAL(NEBULA BLACK- 2020)



250SR量产贴花完稿 星光黑配色

6KM#-190100-8102-10个性贴花总成

- 刀模线
- 有调整刀模
- White
- 哑光钛金灰
- 电镀银
- 荧光黄
- BLACK



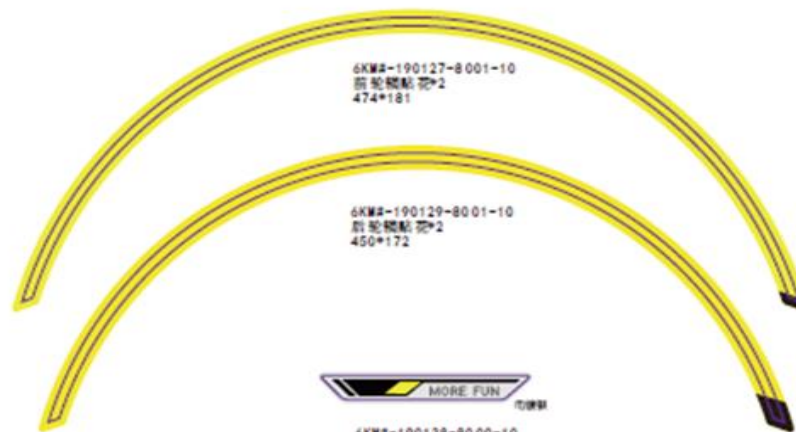
6KM#-190101-8001-10
商品名贴花*2
94*19



6KM#-190102-8001-10
CFMOTO贴花*2
134*20



6KM#-190132-8100-10
ABS贴花*2
69*15

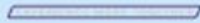


6KM#-190138-8000-10
前护板贴花
128*19



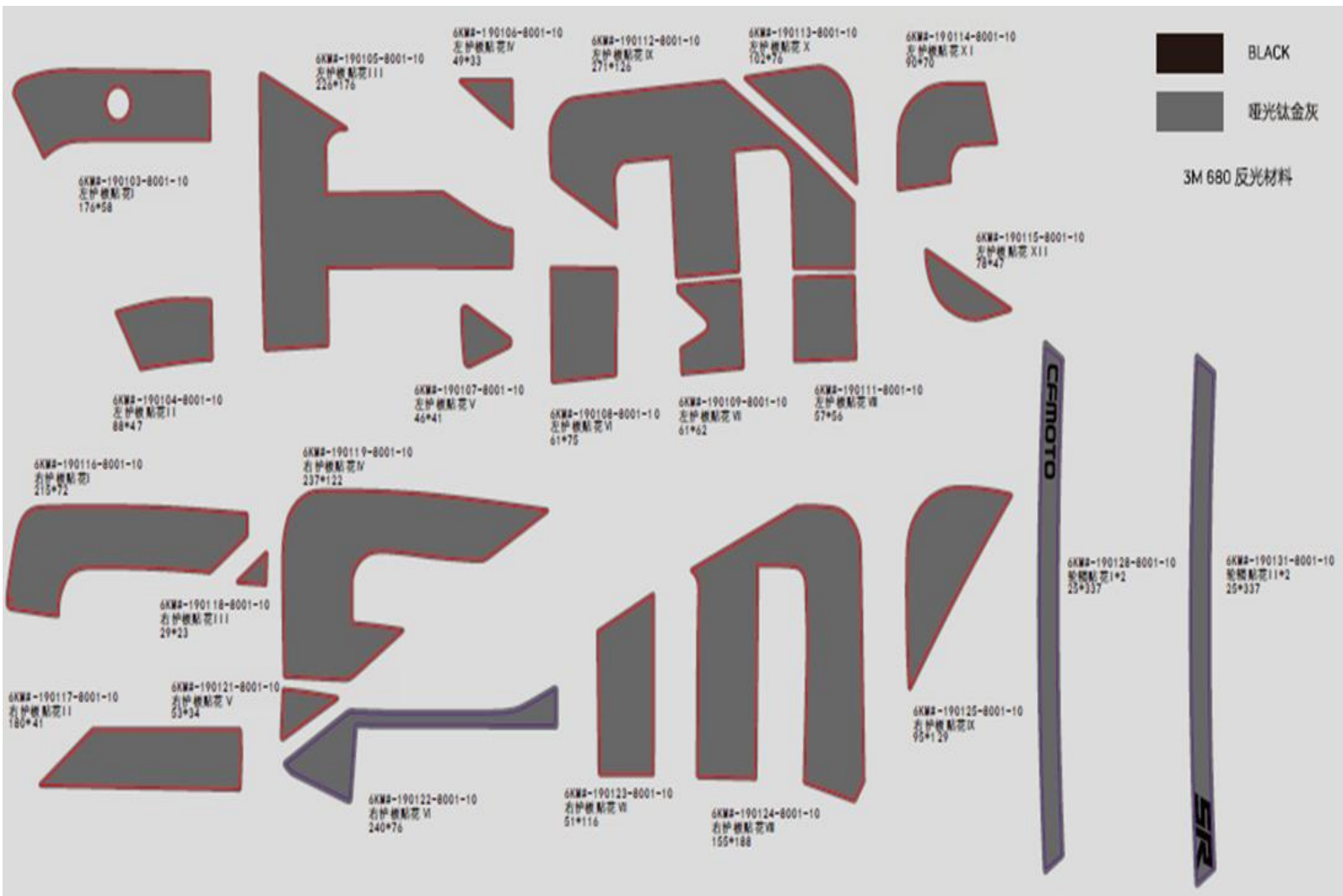
6KM#-190126-8100-10
型号贴花*2
81*8

3M 180mc 透明材料

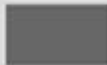


6KM#-190137-8000-10
口号贴花*2
115*8

3M 180mc 光白材料



BLACK



哑光钛金灰

3M 680 反光材料

- 6KWA-190103-8001-10
左护板贴花I
176*58
- 6KWA-190104-8001-10
左护板贴花II
88*47
- 6KWA-190105-8001-10
左护板贴花III
226*176
- 6KWA-190106-8001-10
左护板贴花IV
49*33
- 6KWA-190107-8001-10
左护板贴花V
46*41
- 6KWA-190108-8001-10
左护板贴花VI
61*75
- 6KWA-190109-8001-10
左护板贴花VII
61*62
- 6KWA-190110-8001-10
左护板贴花VIII
57*56
- 6KWA-190111-8001-10
左护板贴花IX
102*76
- 6KWA-190112-8001-10
左护板贴花X
271*126
- 6KWA-190113-8001-10
左护板贴花XI
102*76
- 6KWA-190114-8001-10
左护板贴花XII
90*70
- 6KWA-190115-8001-10
左护板贴花XIII
78*47
- 6KWA-190116-8001-10
右护板贴花I
215*72
- 6KWA-190117-8001-10
右护板贴花II
180*41
- 6KWA-190118-8001-10
右护板贴花III
29*23
- 6KWA-190119-8001-10
右护板贴花IV
237*122
- 6KWA-190120-8001-10
右护板贴花V
53*34
- 6KWA-190121-8001-10
右护板贴花VI
53*34
- 6KWA-190122-8001-10
右护板贴花VII
240*76
- 6KWA-190123-8001-10
右护板贴花VIII
51*116
- 6KWA-190124-8001-10
右护板贴花IX
155*188
- 6KWA-190125-8001-10
右护板贴花X
95*129
- 6KWA-190128-8001-10
侧板贴花I*2
25*337
- 6KWA-190131-8001-10
侧板贴花II*2
25*337
- CFMOTO
- SR

Item No	Parts Number	Parts Name(EN)	Qty	Specification
01	6KM#-190100-8102-10	DECAL ASSY	1	
02	6KM#-190101-8001-10	COMMERCIAL NAME DECAL	2	
03	6KM#-190102-8001-10	CFMOTO DECAL	2	
04	6KM#-190103-8001-10	DECAL 1, LH PANEL	1	
05	6KM#-190104-8001-10	DECAL 2, LH PANEL	1	
06	6KM#-190105-8001-10	DECAL 3, LH PANEL	1	
07	6KM#-190106-8001-10	DECAL 4, LH PANEL	1	
08	6KM#-190107-8001-10	DECAL 5, LH PANEL	1	
09	6KM#-190108-8001-10	DECAL 6, LH PANEL	1	
10	6KM#-190109-8001-10	DECAL 7, LH PANEL	1	
11	6KM#-190111-8001-10	DECAL 8, LH PANEL	1	
12	6KM#-190112-8001-10	DECAL 9, LH PANEL	1	
13	6KM#-190113-8001-10	DECAL 10, LH PANEL	1	
14	6KM#-190114-8001-10	DECAL 11, LH PANEL	1	
15	6KM#-190115-8001-10	DECAL 12, LH PANEL	1	
16	6KM#-190116-8001-10	DECAL 1, RH PANEL	1	
17	6KM#-190117-8001-10	DECAL 2, RH PANEL	1	
18	6KM#-190118-8001-10	DECAL 3, RH PANEL	1	
19	6KM#-190119-8001-10	DECAL 4, RH PANEL	1	
20	6KM#-190121-8001-10	DECAL 5, RH PANEL	1	
21	6KM#-190122-8001-10	DECAL 6, RH PANEL	1	
22	6KM#-190123-8001-10	DECAL 7, RH PANEL	1	
23	6KM#-190124-8001-10	DECAL 8, RH PANEL	1	
24	6KM#-190125-8001-10	DECAL 9, RH PANEL	1	
25	6KM#-190126-8100-10	MODEL DECAL	2	
26	6KM#-190127-8001-10	FRONT RIM DECAL	2	
27	6KM#-190128-8001-10	RIM DECAL 1	2	
28	6KM#-190129-8001-10	REAR RIM DECAL	2	
29	6KM#-190131-8001-10	RIM DECAL 2	2	
30	6KM#-190132-8100-10	ABS DECAL	2	
31	6KM#-190133-8000-10	LH DECAL 1	1	
32	6KM#-190134-8000-10	RH DECAL 1	1	
33	6KM#-190135-8000-10	LH DECAL 2	1	

34	6KM#-190136-8000-10	RH DECAL 2	1	
35	6KM#-190137-8000-10	SLOGAN DECAL	2	
36	6KM#-190138-8000-10	DECAL, REAR PANEL	1	

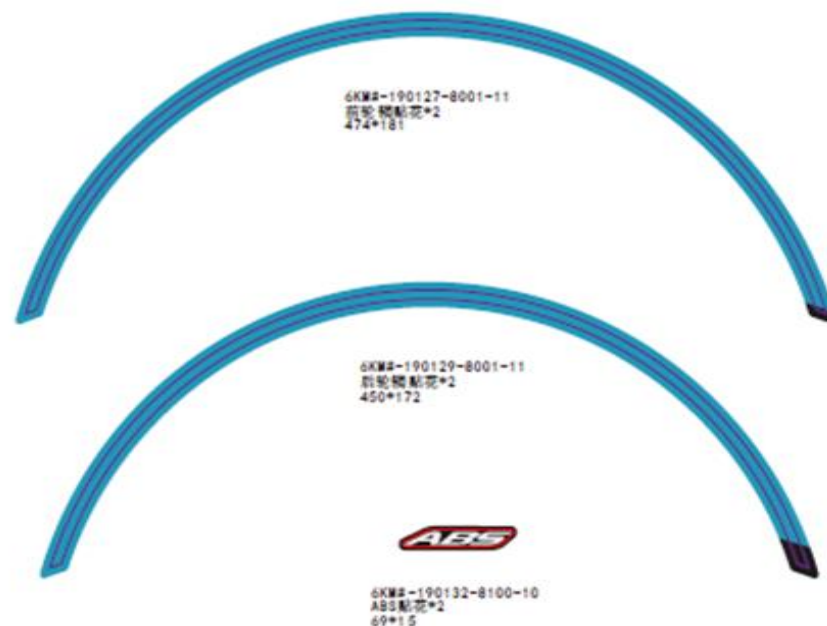
F19-2-C DECAL(NEBULA WHITE-2020)



250SR量产贴花完稿
星光白配色

6KM#-190100-8103-11个性贴花总成

- 刀模线
- 有调整刀模
- White
- 星光白
- 电镀银
- 绿松石蓝
- PANTONE COOL GRAY 11C
- PANTONE COOL GRAY 7 C
- BLACK



6KWB-190103-8000-10
左护板贴花 I
176*58

6KWB-190106-8000-10
左护板贴花 IV
49*33

6KWB-190112-8000-10
左护板贴花 IX
271*126

6KWB-190113-8000-10
左护板贴花 X
102*76

6KWB-190114-8000-10
左护板贴花 XI
90*70

6KWB-190105-8000-10
左护板贴花 III
226*176

6KWB-190104-8000-10
左护板贴花 II
88*47

6KWB-190115-8000-10
左护板贴花 XII
78*47

6KWB-190107-8000-10
左护板贴花 V
46*41

6KWB-190108-8000-10
左护板贴花 VI
61*75

6KWB-190109-8000-10
左护板贴花 VII
61*62

6KWB-190111-8000-10
左护板贴花 VIII
57*56

6KWB-190116-8000-10
右护板贴花 I
215*72

6KWB-190119-8000-10
右护板贴花 IV
237*122

6KWB-190118-8000-10
右护板贴花 III
29*23

6KWB-190121-8000-10
右护板贴花 V
53*34

6KWB-190117-8000-10
右护板贴花 II
180*41

6KWB-190122-8000-11
右护板贴花 VI
240*76

6KWB-190123-8000-10
右护板贴花 VII
51*116

6KWB-190124-8000-10
右护板贴花 VIII
155*188

6KWB-190125-8000-10
右护板贴花 IX
95*129

BLACK

PANTONE COOL GRAY 7 C

3M 680 反光材料

CFMOTO

6KWB-190128-8001-11
轮胎贴花 I*2
25*337

6KWB-190131-8001-11
轮胎贴花 II*2
25*337

SR

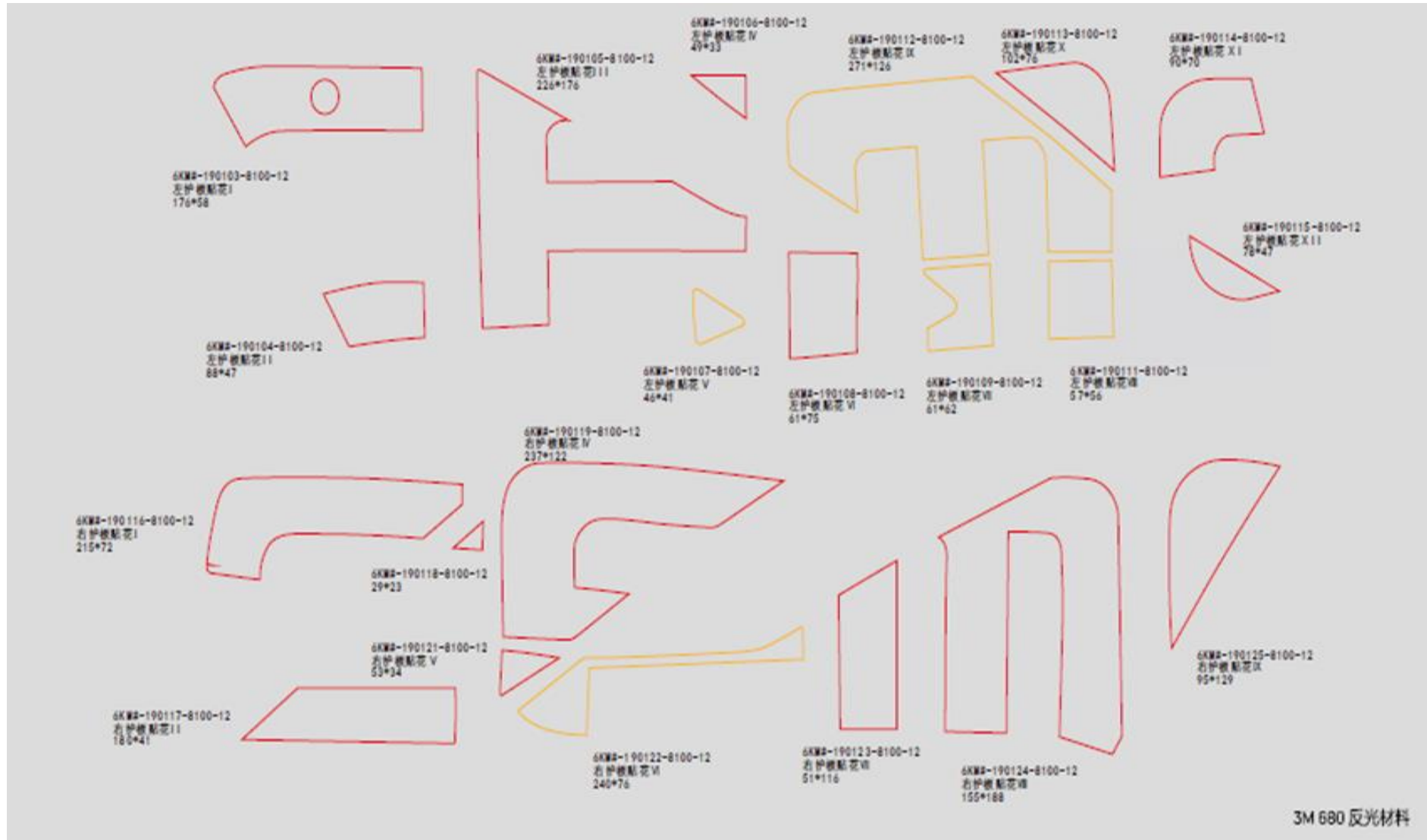
Item No	Parts Number	Parts Name(EN)	Qty	Specification
01	6KM#-190100-8103-11	DECAL ASSY	1	
02	6KM#-190101-8001-11	COMMERCIAL NAME DECAL	2	
03	6KM#-190102-8001-11	CFMOTO DECAL	2	
04	6KM#-190103-8000-10	DECAL 1, LH PANEL	1	
05	6KM#-190104-8000-10	DECAL 2, LH PANEL	1	
06	6KM#-190105-8000-10	DECAL 3, LH PANEL	1	
07	6KM#-190106-8000-10	DECAL 4, LH PANEL	1	
08	6KM#-190107-8000-10	DECAL 5, LH PANEL	1	
09	6KM#-190108-8000-10	DECAL 6, LH PANEL	1	
10	6KM#-190109-8000-10	DECAL 7, LH PANEL	1	
11	6KM#-190111-8000-10	DECAL 8, LH PANEL	1	
12	6KM#-190112-8000-10	DECAL 9, LH PANEL	1	
13	6KM#-190113-8000-10	DECAL 10, LH PANEL	1	
14	6KM#-190114-8000-10	DECAL 11, LH PANEL	1	
15	6KM#-190115-8000-10	DECAL 12, LH PANEL	1	
16	6KM#-190116-8000-10	DECAL 1, RH PANEL	1	
17	6KM#-190117-8000-10	DECAL 2, RH PANEL	1	
18	6KM#-190118-8000-10	DECAL 3, RH PANEL	1	
19	6KM#-190119-8000-10	DECAL 4, RH PANEL	1	
20	6KM#-190121-8000-10	DECAL 5, RH PANEL	1	
21	6KM#-190122-8000-11	DECAL 6, RH PANEL	1	
22	6KM#-190123-8000-10	DECAL 7, RH PANEL	1	
23	6KM#-190124-8000-10	DECAL 8, RH PANEL	1	
24	6KM#-190125-8000-10	DECAL 9, RH PANEL	1	
25	6KM#-190126-8100-10	MODEL DECAL	2	
26	6KM#-190127-8001-11	FRONT RIM DECAL	2	
27	6KM#-190128-8001-11	RIM DECAL 1	2	
28	6KM#-190129-8001-11	REAR RIM DECAL	2	
29	6KM#-190131-8001-11	RIM DECAL 2	2	
30	6KM#-190132-8100-10	ABS DECAL	2	
31	6KM#-190133-8000-11	DECAL, LOWER PANEL	2	
32	6KM#-190134-8000-11	DECAL, REAR PANEL	2	

33	6KM#-190137-8000-10	SLOGAN DECAL	2	
----	---------------------	--------------	---	--








F19-2-A

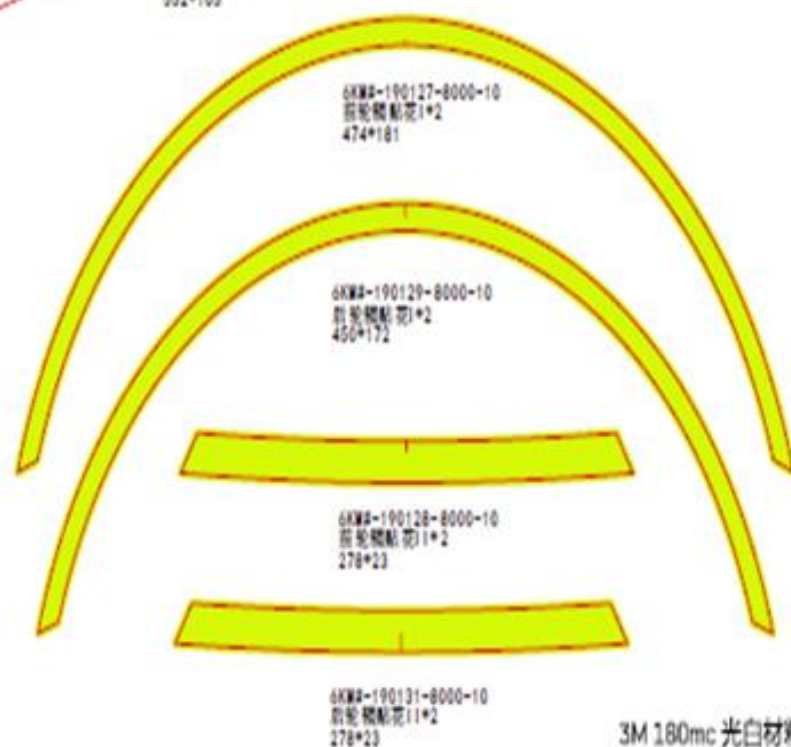
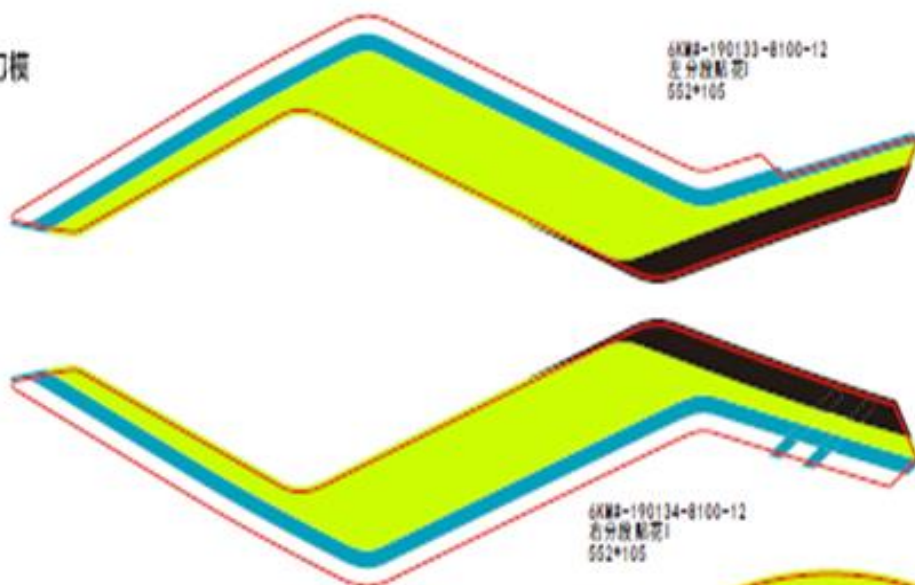
贴花(绿松石蓝-ABS)



DECAL(TURQUOISE BLUE-ABS)



— 刀模线 — 刀模线 — 有沟整刀模

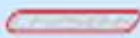
	White		PANTONE Cool Gray 10 C
	电镀银		PANTONE Cool Gray 4 C
	荧光黄		绿松石蓝
	BLACK		PANTONE 185 C



6KWB-190101-8100-12
商品名贴花*2
113*23

6KWB-190102-8100-12
CFMOTO贴花*2
134*23

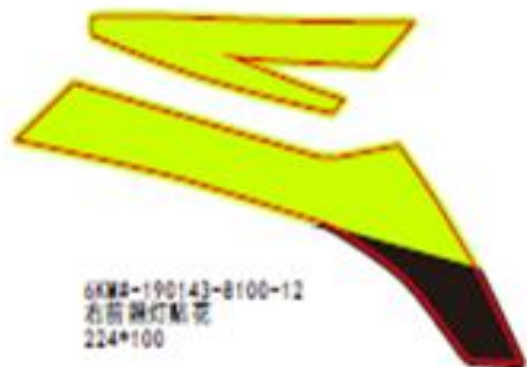


6KWB-190126-8100-10
贴花贴花*2
81*8

3M 180mc 透明材料

3M 180mc 光白材料

6XWB-190142-8100-12
右前转向灯罩贴花
144*37



6XWB-190143-8100-12
右前转向灯贴花
224*100



6XWB-190144-8100-12
中间分差贴花
153*15



6XWB-190151-8101-12
莲花尔贴花*2
131*36



6XWB-190152-8101-12
口香贴花 I
165*46



6XWB-190153-8101-12
口香贴花 II
179*36



6XWB-190154-8101-12
博士贴花*2
277*49



6XWB-190155-8101-12
正副后胎贴花*2
152*38

MORE FUN

6XWB-190156-8100-12
MORE FUN贴花*2
86*16

6KWB-190137-8100-12
DID贴花 I
269*43



6KWB-190138-8100-12
DID贴花 II
239*45

6KWB-190139-8100-12
左前大灯护罩贴花
144*37



6KWB-190141-8100-12
左前大灯贴花
224*100



6KWB-190145-8101-12
FCC贴花*2
77*77



6KWB-190146-8101-12
大陆轮胎贴花 1*2
130*32



6KWB-190147-8101-12
巴斯夫贴花*2
80*42

6KWB-190148-8101-12
NGK贴花 I
123*105



6KWB-190149-8101-12
NGK贴花 II
123*105

Item No	Parts Number	Parts Name(EN)	Qty	Specification
02	6KM#-190101-8100-12	COMMERCIAL NAME DECAL	2	
03	6KM#-190102-8100-12	CFMOTO DECAL	2	
04	6KM#-190103-8100-12	DECAL 1, LH PANEL	1	
05	6KM#-190104-8100-12	DECAL 2, LH PANEL	1	
06	6KM#-190105-8100-12	DECAL 3, LH PANEL	1	
07	6KM#-190106-8100-12	DECAL 4, LH PANEL	1	
08	6KM#-190107-8100-12	DECAL 5, LH PANEL	1	
09	6KM#-190108-8100-12	DECAL 6, LH PANEL	1	
10	6KM#-190109-8100-12	DECAL 7, LH PANEL	1	
11	6KM#-190111-8100-12	DECAL 8, LH PANEL	1	
12	6KM#-190112-8100-12	DECAL 9, LH PANEL	1	
13	6KM#-190113-8100-12	DECAL 10, LH PANEL	1	
14	6KM#-190114-8100-12	DECAL 11, LH PANEL	1	
15	6KM#-190115-8100-12	DECAL 12, LH PANEL	1	
16	6KM#-190116-8100-12	DECAL 1, RH PANEL	1	
17	6KM#-190117-8100-12	DECAL 2, RH PANEL	1	
18	6KM#-190118-8100-12	DECAL 3, RH PANEL	1	
19	6KM#-190119-8100-12	DECAL 4, RH PANEL	1	
20	6KM#-190121-8100-12	DECAL 5, RH PANEL	1	
21	6KM#-190122-8100-12	DECAL 6, RH PANEL	1	
22	6KM#-190123-8100-12	DECAL 7, RH PANEL	1	
23	6KM#-190124-8100-12	DECAL 8, RH PANEL	1	
24	6KM#-190125-8100-12	DECAL 9, RH PANEL	2	
25	6KM#-190126-8100-10	MODEL DECAL	2	
26	6KM#-190127-8000-10	FRONT RIM DECAL 1	2	
27	6KM#-190128-8000-10	FRONT RIM DECAL 2	2	
28	6KM#-190129-8000-10	REAR RIM DECAL 1	2	
29	6KM#-190131-8000-10	REAR RIM DECAL 2	2	
30	6KM#-190133-8100-12	LH DECAL 1	1	
31	6KM#-190134-8100-12	RH DECAL 1	1	
32	6KM#-190135-8000-10	LH DECAL 2	1	
33	6KM#-190136-8000-10	RH DECAL 2	1	
34	6KM#-190137-8100-12	DID DECAL 1	1	

35	6KM#-190138-8100-12	DID DECAL 2	1	
36	6KM#-190139-8100-12	HEADLIGHT LH GUARD DECAL	1	
37	6KM#-190141-8100-12	LH HEADLIGHT DECAL	1	
38	6KM#-190142-8100-12	HEADLIGHT RELAY BRACKET	1	
39	6KM#-190143-8100-12	RH HEADLIGHT DECAL	1	
40	6KM#-190144-8100-12	MIDDLE DECAL	1	
41	6KM#-190145-8101-12	FCC DECAL	2	

F19-2-A DECAL(NEBULA BLACK-2021)



序号	图号	名称	尺寸	数量	材料	表面效果	粘接弧度	粘接表面基材	粘接表面处理
01	6KMV-190301-8500-10	商品名贴花	94*19	2	JLB100#BD	亮光光油	平面	塑料	亮光油漆



序号	图号	名称	尺寸	数量	材料	表面效果	粘接弧度	粘接表面基材	粘接表面处理
02	6KMV-190302-8500-10	CFMOTO贴花	134*20	2	JLB100#BD	亮光光油	平面	塑料	亮光油漆



序号	图号	名称	尺寸	数量	材料	表面效果	粘接弧度	粘接表面基材	粘接表面处理
22	6KMV-190326-A000-10	型号贴花	85*12	2	He110	哑光光油	平面	塑料	亮光油漆

亚光珍珠黑



序号	图号	名称	尺寸	数量	材料	表面效果	粘接弧度	粘接表面基材	粘接表面处理
32	6KMV-190337-8500-10	口号贴花	115*8	2	He110	哑光光油	平面	塑料	碳纤维水转印

EXPERIENCE MORE TOGETHER

6KMV-190300-A000-10 个性贴花总成

星光黑配色



序号	图号	名称	尺寸	数量	材料	表面效果	粘接弧度	粘接表面基材	粘接表面处理
01	6KMV-190301-8500-10	商品名称花	94*19	2	JL8100#BD	亮光光面	平面	塑料	亮光漆膜



序号	图号	名称	尺寸	数量	材料	表面效果	粘接弧度	粘接表面基材	粘接表面处理
02	6KMV-190302-8500-10	CFMOTO标志花	134*20	2	JL8100#BD	亮光光面	平面	塑料	亮光漆膜

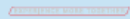


序号	图号	名称	尺寸	数量	材料	表面效果	粘接弧度	粘接表面基材	粘接表面处理
22	6KMV-190326-A000-10	型号贴花	89*12	2	8*110	亮光光面	平面	塑料	亮光漆膜

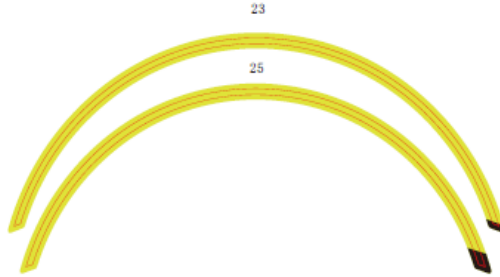
亚光珍珠黑



序号	图号	名称	尺寸	数量	材料	表面效果	粘接弧度	粘接表面基材	粘接表面处理
32	6KMV-190337-8500-10	口号贴花	115*6	2	8*110	亮光光面	平面	塑料	哑光漆膜



序号	图号	名称	尺寸	数量	材料	表面效果	粘接弧度	粘接表面基材	粘接表面处理
23	6KMV-190327-8500-10	前轮贴花	474*81	2	8045*3M 9080	亮光光面	20大弧度	铝合金	亮光漆膜
25	6KMV-190329-8500-10	后轮贴花	450*172	2	8045*3M 9080	亮光光面	20大弧度	铝合金	亮光漆膜



序号	图号	名称	尺寸	数量	材料	表面效果	粘接弧度	粘接表面基材	粘接表面处理
24	6KMV-190328-8500-10	后轮贴花	330*22	2	8045*3M 9080	亮光光面黑色部分亮光	20大弧度	铝合金	亮光漆膜



序号	图号	名称	尺寸	数量	材料	表面效果	粘接弧度	粘接表面基材	粘接表面处理
26	6KMV-190331-8500-10	后轮贴花	330*22	2	8045*3M 9080	亮光光面黑色部分亮光	20大弧度	铝合金	亮光漆膜



序号	图号	名称	尺寸	数量	材料	表面效果	粘接弧度	粘接表面基材	粘接表面处理
27	6KMV-190332-8500-10	ABS贴花	89*15	2	JL8100#BD	亮光光面	平面	塑料	亮光漆膜



序号	图号	名称	尺寸	数量	材料	表面效果	粘接弧度	粘接表面基材	粘接表面处理
28	6KMV-190333-8500-10	左分叉贴花	528*85	1	JL8100#BD	亮光光面	30小弧度	塑料	亮光漆膜
29	6KMV-190334-8500-10	右分叉贴花	528*85	1	JL8100#BD	亮光光面	30小弧度	塑料	亮光漆膜



序号	图号	名称	尺寸	数量	材料	表面效果	粘接弧度	粘接表面基材	粘接表面处理
30	6KMV-190335-8500-10	左分叉贴花	118*15	1	JL8100#BD	亮光光面	20大弧度	塑料	亮光漆膜

序号	图号	名称	尺寸	数量	材料	表面效果	粘接弧度	粘接表面基材	粘接表面处理
31	6KMV-190336-8500-10	右分叉贴花	122*15	1	JL8100#BD	亮光光面	20大弧度	塑料	亮光漆膜

序号	图号	名称	尺寸	数量	材料	表面效果	粘接弧度	粘接表面基材	粘接表面处理
33	6KMV-190338-8500-10	后护板贴花	128*19	1	JL8100#BD	亮光光面	平面	塑料	亮光漆膜



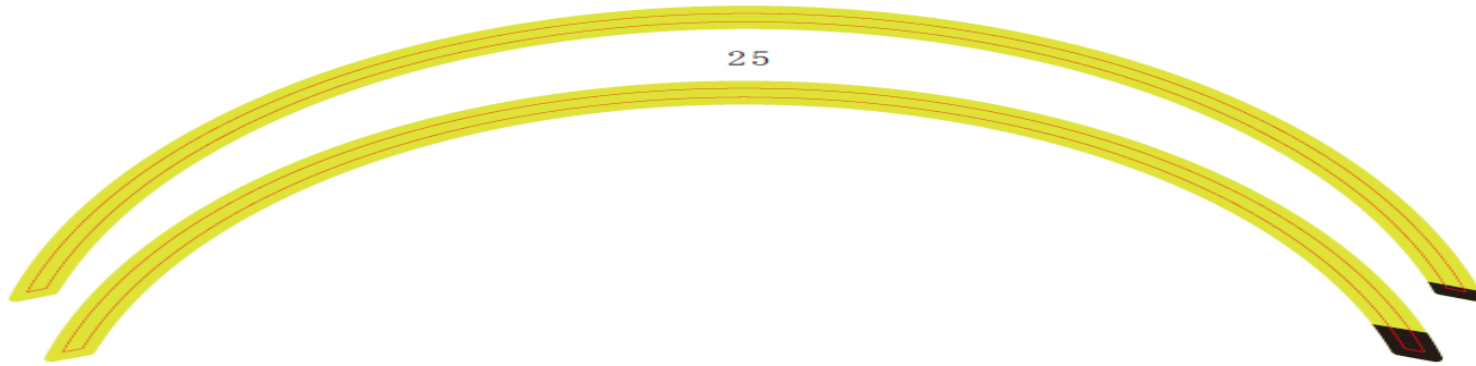
注：整线1mm宽，是贴花工人定位用的，严格按照1mm做



序号	图号	名称	尺寸	数量	材料	表面效果	粘接弧度	粘接表面基材	粘接表面处理
03	6KMV-190303-8500-10	左护板贴花	178*81	1	JL8100#BD	亮光光面	30小弧度	塑料	亮光漆膜
04	6KMV-190304-8500-10	左护板贴花	86*47	1	JL8100#BD	亮光光面	30小弧度	塑料	亮光漆膜
05	6KMV-190305-8500-10	左护板贴花	169*159	1	JL8100#BD	亮光光面	30小弧度	塑料	亮光漆膜
06	6KMV-190306-8500-10	左护板贴花	34*19	1	JL8100#BD	亮光光面	30小弧度	塑料	亮光漆膜
07	6KMV-190307-8500-10	左护板贴花	239*124	1	JL8100#BD	亮光光面	30小弧度	塑料	亮光漆膜
08	6KMV-190308-8500-10	左护板贴花	53*83	1	JL8100#BD	亮光光面	30小弧度	塑料	亮光漆膜
09	6KMV-190309-8500-10	左护板贴花	58*53	1	JL8100#BD	亮光光面	30小弧度	塑料	亮光漆膜
10	6KMV-190311-8500-10	左护板贴花	54*51	1	JL8100#BD	亮光光面	30小弧度	塑料	亮光漆膜
11	6KMV-190312-8500-10	左护板贴花	56*50	1	JL8100#BD	亮光光面	30小弧度	塑料	亮光漆膜
12	6KMV-190313-8500-10	左护板贴花	120*73	1	JL8100#BD	亮光光面	30小弧度	塑料	亮光漆膜
13	6KMV-190314-8500-10	左护板贴花	29*26	1	JL8100#BD	亮光光面	30小弧度	塑料	亮光漆膜
14	6KMV-190315-8500-10	左护板贴花	93*46	1	JL8100#BD	亮光光面	30小弧度	塑料	亮光漆膜
15	6KMV-190316-8500-10	右护板贴花	197*86	1	JL8100#BD	亮光光面	30小弧度	塑料	亮光漆膜
16	6KMV-190317-8500-10	右护板贴花	158*43	1	JL8100#BD	亮光光面	30小弧度	塑料	亮光漆膜
17	6KMV-190318-8500-10	右护板贴花	199*121	1	JL8100#BD	亮光光面	30小弧度	塑料	亮光漆膜
18	6KMV-190319-8500-10	右护板贴花	47*32	1	JL8100#BD	亮光光面	30小弧度	塑料	亮光漆膜
19	6KMV-190321-8500-10	右护板贴花	160*52	1	JL8100#BD	亮光光面	30小弧度	塑料	亮光漆膜
20	6KMV-190322-8500-10	右护板贴花	238*182	1	JL8100#BD	亮光光面	30小弧度	塑料	亮光漆膜
21	6KMV-190323-8500-10	右护板贴花	90*138	1	JL8100#BD	亮光光面	30小弧度	塑料	亮光漆膜

序号	图号	名称	尺寸	数量	材料	表面效果	粘接弧度	粘接表面基材	粘接表面处理
23	6KMV-190327-8500-10	前轮钢贴花	474*181	2	80#B+3M 9080	亮光光油	2D大弧度	铝合金	哑光磨砂
25	6KMV-190329-8500-10	后轮钢贴花	450*172	2	80#B+3M 9080	亮光光油	2D大弧度	铝合金	哑光磨砂

23



25

序号	图号	名称	尺寸	数量	材料	表面效果	粘接弧度	粘接表面基材	粘接表面处理
24	6KMV-190328-8500-10	轮钢贴花 I	330*22	2	80#B+3M 9080	哑光光油黑色部分亮光	2D大弧度	铝合金	哑光磨砂



序号	图号	名称	尺寸	数量	材料	表面效果	粘接弧度	粘接表面基材	粘接表面处理
26	6KMV-190331-8500-10	轮钢贴花 II	330*22	2	80#B+3M 9080	哑光光油黑色部分亮光	2D大弧度	铝合金	哑光磨砂



序号	图号	名称	尺寸	数量	材料	表面效果	粘接弧度	粘接表面基材	粘接表面处理
27	6KMV-190332-8500-10	ABS贴花	69*15	2	JLB100#BD	亮光光油	平面	塑料	亮光油漆



序号	图号	名称	尺寸	数量	材料	表面效果	粘接弧度	粘接表面基材	粘接表面处理
28	6KMV-190333-8500-10	左分段贴花 I	528*85	1	JLB100#BD	亮光光油	3D小弧度	塑料	亮光油漆
29	6KMV-190334-8500-10	右分段贴花 I	528*85	1	JLB100#BD	亮光光油	3D小弧度	塑料	亮光油漆

28



29



序号	图号	名称	尺寸	数量	材料	表面效果	粘接弧度	粘接表面基材	粘接表面处理
30	6KMV-190335-8500-10	左分段贴花 II	118*15	1	JLB100#BD	亮光光油	2D大弧度	塑料	亮光油漆



序号	图号	名称	尺寸	数量	材料	表面效果	粘接弧度	粘接表面基材	粘接表面处理
31	6KMV-190336-8500-10	右分段贴花 II	122*15	1	JLB100#BD	亮光光油	2D大弧度	塑料	亮光油漆



序号	图号	名称	尺寸	数量	材料	表面效果	粘接弧度	粘接表面基材	粘接表面处理
33	6KMV-190338-8500-10	后护板贴花	128*19	1	JLB100#BD	亮光光油	平面	塑料	亮光油漆



Item No	Parts Number	Parts Name(EN)	Qty	Specification
01	6KMV-190301-8500-10	COMMERCIAL NAME DECAL	2	
02	6KMV-190302-8500-10	CFMOTO STICKER	2	
03	6KMV-190303-8500-10	DECAL 1, LH PANEL	1	
04	6KMV-190304-8500-10	DECAL 2, LH PANEL	1	
05	6KMV-190305-8500-10	DECAL 3, LH PANEL	1	
06	6KMV-190306-8500-10	DECAL 4, LH PANEL	1	
07	6KMV-190307-8500-10	DECAL 5, LH PANEL	1	
08	6KMV-190308-8500-10	DECAL 6, LH PANEL	1	
09	6KMV-190309-8500-10	DECAL 7, LH PANEL	1	
10	6KMV-190311-8500-10	DECAL 8, LH PANEL	1	
11	6KMV-190312-8500-10	DECAL 9, LH PANEL	1	
12	6KMV-190313-8500-10	DECAL 10, LH PANEL	1	
13	6KMV-190314-8500-10	DECAL 11, LH PANEL	1	
14	6KMV-190315-8500-10	DECAL 12, LH PANEL	1	
15	6KMV-190316-8500-10	DECAL 1, RH PANEL	1	
16	6KMV-190317-8500-10	DECAL 2, RH PANEL	1	
17	6KMV-190318-8500-10	DECAL 3, RH PANEL	1	
18	6KMV-190319-8500-10	DECAL 4, RH PANEL	1	
19	6KMV-190321-8500-10	DECAL 5, RH PANEL	1	
20	6KMV-190322-8500-10	DECAL 6, RH PANEL	1	
21	6KMV-190323-8500-10	DECAL 7, RH PANEL	1	
23	6KMV-190327-8500-10	DECAL, FRONT RIM	2	
24	6KMV-190328-8500-10	DECAL 1, RIM	2	
25	6KMV-190329-8500-10	DECAL, REAR RIM	2	
26	6KMV-190331-8500-10	DECAL 2, RIM	2	
27	6KMV-190332-8500-10	ABS DECAL	2	
28	6KMV-190333-8500-10	LH DECAL 1	1	
29	6KMV-190334-8500-10	RH DECAL 1	1	
30	6KMV-190335-8500-10	LH DECAL 2	1	
31	6KMV-190336-8500-10	RH DECAL 2	1	
32	6KMV-190337-8500-10	SLOGAN DECAL	2	
33	6KMV-190338-8500-10	DECAL, REAR PANEL	1	

F19-2-B DECAL(NEBULA WHITE 2021)



序号	图号	名称	尺寸	数量	材料	表面效果	粘接弧度	粘接表面基材	粘接表面处理
01	6KMV-190301-8500-11	商品名贴花	89*14	2	HE110	亮光光油	平面	塑料	亮光光油

250SR

序号	图号	名称	尺寸	数量	材料	表面效果	粘接弧度	粘接表面基材	粘接表面处理
02	6KMV-190302-8500-11	CFMOTO贴花	134*20	2	HE110	亮光光油	平面	塑料	亮光油漆

CFMOTO

序号	图号	名称	尺寸	数量	材料	表面效果	粘接弧度	粘接表面基材	粘接表面处理
22	6KMV-190326-A000-11	型号贴花	81*8	2	HE110	亮光光油	平面	塑料	亮光油漆

序号	图号	名称	尺寸	数量	材料	表面效果	粘接弧度	粘接表面基材	粘接表面处理
28	6KMV-190333-8500-11	下护板贴花	119*38	2	HE110	哑光光油	平面	塑料	亮光光油

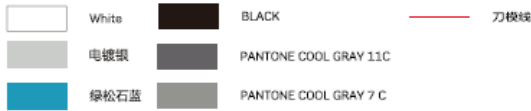
SR

序号	图号	名称	尺寸	数量	材料	表面效果	粘接弧度	粘接表面基材	粘接表面处理
29	6KMV-190334-8500-11	后护板贴花	128*19	1	HE110	亮光光油	平面	塑料	亮光油漆

MORE FUN

序号	图号	名称	尺寸	数量	材料	表面效果	粘接弧度	粘接表面基材	粘接表面处理
30	6KMV-190337-8500-10	口号贴花	115*8	2	HE110	哑光光油	平面	塑料	碳纤维水转印

EXPERIENCE MORE TOGETHER



6KMV-190300-A000-11 个性贴花总成 星光白配色

序号	图号	名称	尺寸	数量	材料	表面处理	粘接位置	粘接表面基材	粘接表面处理
01	6KMV-190301-9500-11	商品名称花	99*14	2	FR110	亮光光油	平面	塑料	亮光光油

250SR

序号	图号	名称	尺寸	数量	材料	表面处理	粘接位置	粘接表面基材	粘接表面处理
02	6KMV-190302-9500-11	CFMOTO贴花	134*20	2	FR110	亮光光油	平面	塑料	亮光光油

CFMOTO

序号	图号	名称	尺寸	数量	材料	表面处理	粘接位置	粘接表面基材	粘接表面处理
22	6KMV-190320-9500-11	型号贴花	81*6	2	FR110	亮光光油	平面	塑料	亮光光油

序号	图号	名称	尺寸	数量	材料	表面处理	粘接位置	粘接表面基材	粘接表面处理
23	6KMV-190322-9500-11	下护板贴花	119*38	2	FR110	亮光光油	平面	塑料	亮光光油

SR

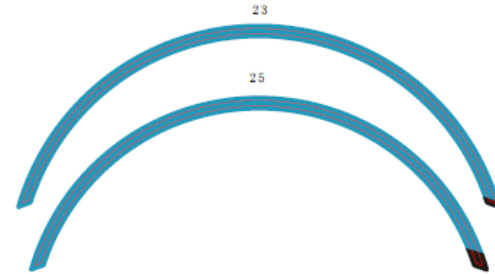
序号	图号	名称	尺寸	数量	材料	表面处理	粘接位置	粘接表面基材	粘接表面处理
29	6KMV-190334-9500-11	品牌贴花	128*19	1	FR110	亮光光油	平面	塑料	亮光光油

MORE FUN

序号	图号	名称	尺寸	数量	材料	表面处理	粘接位置	粘接表面基材	粘接表面处理
30	6KMV-190337-9500-11	型号贴花	115*6	2	FR110	亮光光油	平面	塑料	亮光光油

CFMOTO MOTOR

序号	图号	名称	尺寸	数量	材料	表面处理	粘接位置	粘接表面基材	粘接表面处理
23	6KMV-190327-9500-11	塑料贴花	474*181	2	6098*3M 9090	亮光光油	20°弧面	铝合金	喷光磨砂
25	6KMV-190329-9500-11	塑料贴花	480*172	2	6098*3M 9090	亮光光油	20°弧面	铝合金	喷光磨砂



序号	图号	名称	尺寸	数量	材料	表面处理	粘接位置	粘接表面基材	粘接表面处理
24	6KMV-190328-9500-11	塑料贴花	330*22	2	6098*3M 9090	曙光光油黄色部分亮光	20°弧面	铝合金	喷光磨砂

CFMOTO

序号	图号	名称	尺寸	数量	材料	表面处理	粘接位置	粘接表面基材	粘接表面处理
26	6KMV-190331-9500-11	塑料贴花	330*22	2	6098*3M 9090	曙光光油黄色部分亮光	20°弧面	铝合金	喷光磨砂

SR

序号	图号	名称	尺寸	数量	材料	表面处理	粘接位置	粘接表面基材	粘接表面处理
27	6KMV-190332-9500-11	ABS贴花	69*15	2	JL510090	亮光光油	平面	塑料	亮光光油

ABS

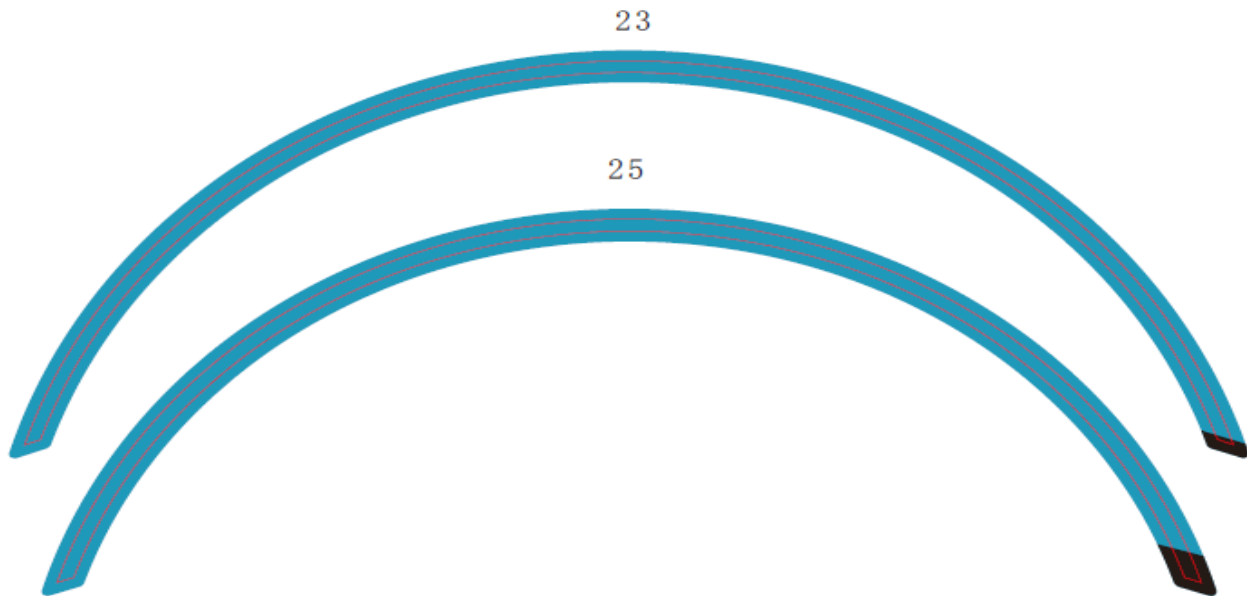
注：整线线1mm宽，是贴花工人定位用的，严格按照1mm做

PANTONE COOL GRAY 7 C 整线线



序号	图号	名称	尺寸	数量	材料	表面处理	粘接位置	粘接表面基材	粘接表面处理
03	6KMV-190303-9500-11	左护板贴花	178*41	1	JL510090	亮光光油	3D小弧面	塑料件	亮光油漆
04	6KMV-190304-9500-11	左护板贴花	89*47	1	JL510090	亮光光油	3D小弧面	塑料件	亮光油漆
05	6KMV-190305-9500-11	左护板贴花	169*159	1	JL510090	亮光光油	3D小弧面	塑料件	亮光油漆
06	6KMV-190306-9500-11	左护板贴花	34*19	1	JL510090	亮光光油	3D小弧面	塑料件	亮光油漆
07	6KMV-190307-9500-11	左护板贴花	235*124	1	JL510090	亮光光油	3D小弧面	塑料件	亮光油漆
08	6KMV-190308-9500-11	左护板贴花	53*45	1	JL510090	亮光光油	3D小弧面	塑料件	亮光油漆
09	6KMV-190309-9500-11	左护板贴花	59*55	1	JL510090	亮光光油	3D小弧面	塑料件	亮光油漆
10	6KMV-190311-9500-11	左护板贴花	54*51	1	JL510090	亮光光油	3D小弧面	塑料件	亮光油漆
11	6KMV-190312-9500-11	左护板贴花	59*50	1	JL510090	亮光光油	3D小弧面	塑料件	亮光油漆
12	6KMV-190313-9500-11	左护板贴花	120*73	1	JL510090	亮光光油	3D小弧面	塑料件	亮光油漆
13	6KMV-190314-9500-11	左护板贴花	20*28	1	JL510090	亮光光油	3D小弧面	塑料件	亮光油漆
14	6KMV-190315-9500-11	左护板贴花	93*48	1	JL510090	亮光光油	3D小弧面	塑料件	亮光油漆
15	6KMV-190316-9500-11	左护板贴花	197*46	1	JL510090	亮光光油	3D小弧面	塑料件	亮光油漆
16	6KMV-190317-9500-11	左护板贴花	158*43	1	JL510090	亮光光油	3D小弧面	塑料件	亮光油漆
17	6KMV-190318-9500-11	左护板贴花	199*121	1	JL510090	亮光光油	3D小弧面	塑料件	亮光油漆
18	6KMV-190319-9500-11	左护板贴花	47*32	1	JL510090	亮光光油	3D小弧面	塑料件	亮光油漆
19	6KMV-190321-9500-11	左护板贴花	180*52	1	JL510090	亮光光油	3D小弧面	塑料件	亮光油漆
20	6KMV-190322-9500-11	左护板贴花	239*182	1	JL510090	亮光光油	3D小弧面	塑料件	亮光油漆
21	6KMV-190323-9500-11	左护板贴花	90*136	1	JL510090	亮光光油	3D小弧面	塑料件	亮光油漆

序号	图号	名称	尺寸	数量	材料	表面效果	粘接弧度	粘接表面基材	粘接表面处理
23	6KMV-190327-8500-11	前轮钢贴花	474*181	2	80#B+3M 9080	亮光光油	2D大弧度	铝合金	哑光磨砂
25	6KMV-190329-8500-11	后轮钢贴花	450*172	2	80#B+3M 9080	亮光光油	2D大弧度	铝合金	哑光磨砂



序号	图号	名称	尺寸	数量	材料	表面效果	粘接弧度	粘接表面基材	粘接表面处理
24	6KMV-190328-8500-11	轮钢贴花 I	330*22	2	80#B+3M 9080	哑光光油黑色部分亮光	2D大弧度	铝合金	哑光磨砂



序号	图号	名称	尺寸	数量	材料	表面效果	粘接弧度	粘接表面基材	粘接表面处理
26	6KMV-190331-8500-11	轮钢贴花 II	330*22	2	80#B+3M 9080	哑光光油黑色部分亮光	2D大弧度	铝合金	哑光磨砂



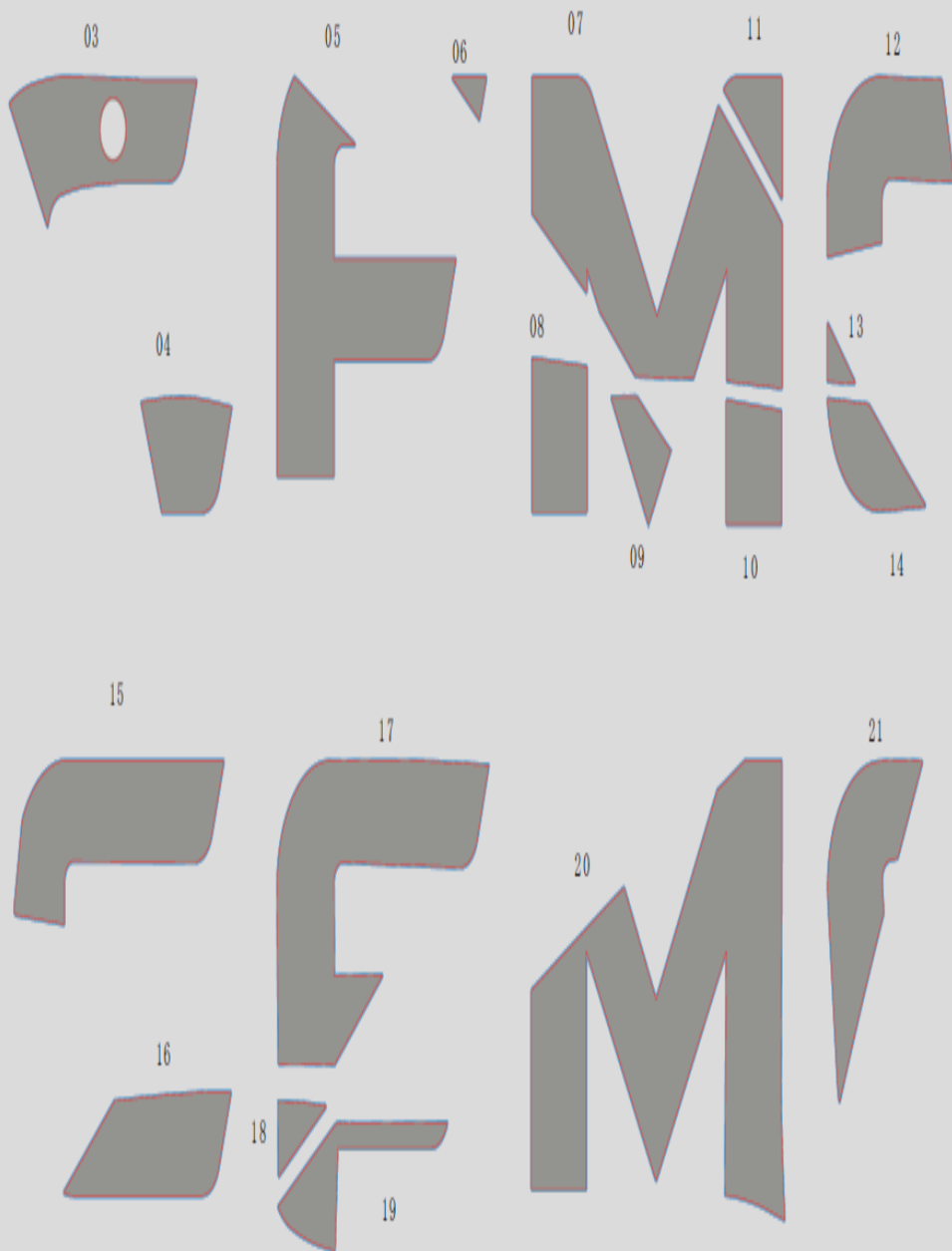
序号	图号	名称	尺寸	数量	材料	表面效果	粘接弧度	粘接表面基材	粘接表面处理
27	6KMV-190332-8500-10	ABS贴花	69*15	2	JLB100#BD	亮光光油	平面	塑料	亮光油漆



注：整膜线1mm宽，是贴花工人定位用的，严格按照1mm做

PANTONE COOL GRAY 7 C

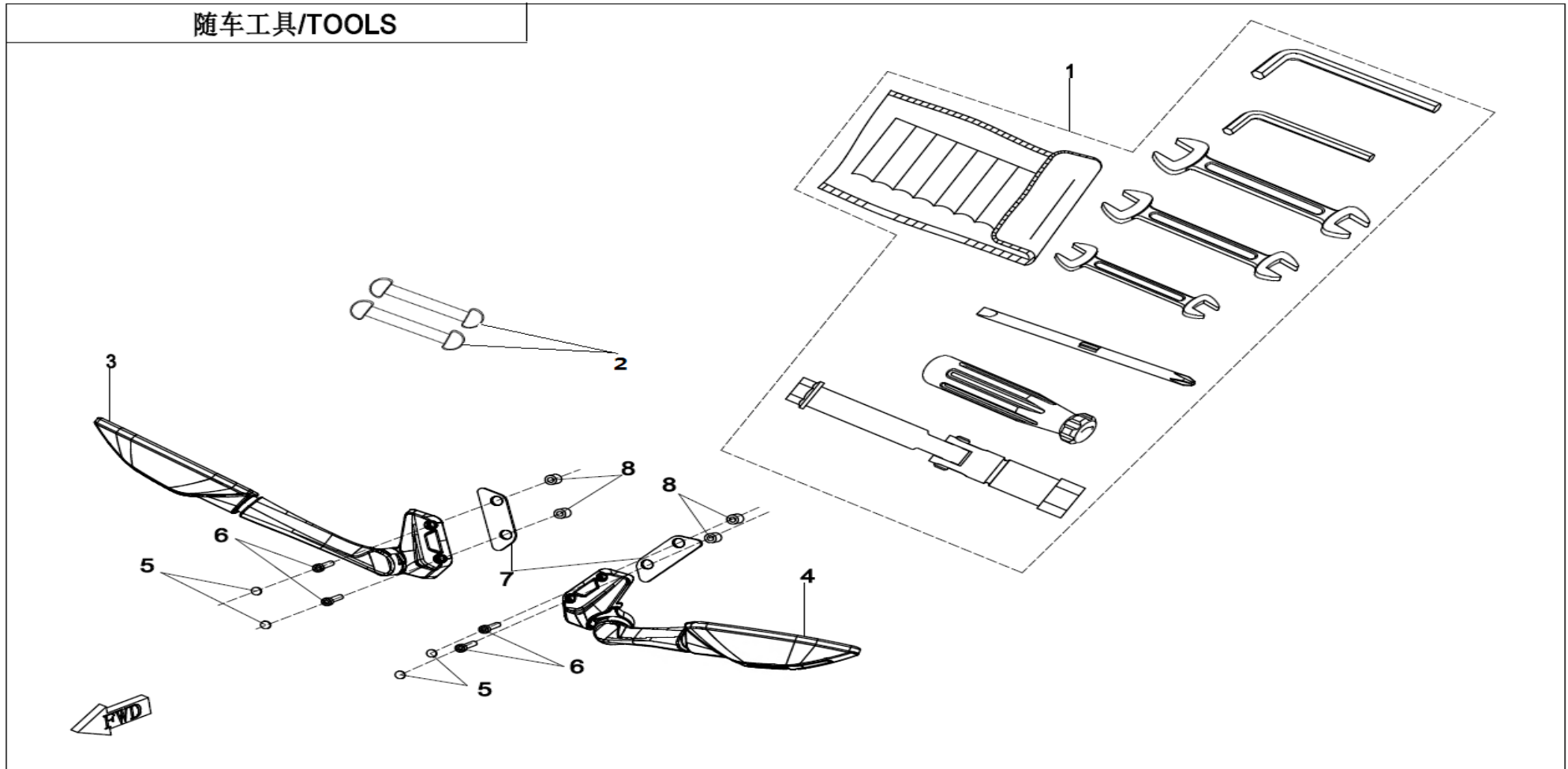
整膜线



序号	图号	名称	尺寸	数量	材料	表面效果	粘接弧度	粘接表面基材	粘接表面处理
03	6KMY-190303-8500-11	左护板贴花 I	176*61	1	JLB100#BD	哑光光油	3D小弧度	塑料件	亮光油漆
04	6KMY-190304-8500-11	左护板贴花 II	86*47	1	JLB100#BD	哑光光油	3D小弧度	塑料件	亮光油漆
05	6KMY-190305-8500-11	左护板贴花 III	168*159	1	JLB100#BD	哑光光油	3D小弧度	塑料件	亮光油漆
06	6KMY-190306-8500-11	左护板贴花 IV	34*19	1	JLB100#BD	哑光光油	3D小弧度	塑料件	亮光油漆
07	6KMY-190307-8500-11	左护板贴花 V	235*124	1	JLB100#BD	哑光光油	3D小弧度	塑料件	亮光油漆
08	6KMY-190308-8500-11	左护板贴花 VI	53*63	1	JLB100#BD	哑光光油	3D小弧度	塑料件	亮光油漆
09	6KMY-190309-8500-11	左护板贴花 VII	58*53	1	JLB100#BD	哑光光油	3D小弧度	塑料件	亮光油漆
10	6KMY-190310-8500-11	左护板贴花 VIII	54*51	1	JLB100#BD	哑光光油	3D小弧度	塑料件	亮光油漆
11	6KMY-190311-8500-11	左护板贴花 IX	56*50	1	JLB100#BD	哑光光油	3D小弧度	塑料件	亮光油漆
12	6KMY-190312-8500-11	左护板贴花 X	120*73	1	JLB100#BD	哑光光油	3D小弧度	塑料件	亮光油漆
13	6KMY-190313-8500-11	左护板贴花 XI	28*26	1	JLB100#BD	哑光光油	3D小弧度	塑料件	亮光油漆
14	6KMY-190314-8500-11	左护板贴花 XII	93*46	1	JLB100#BD	哑光光油	3D小弧度	塑料件	亮光油漆
15	6KMY-190315-8500-11	右护板贴花 I	197*66	1	JLB100#BD	哑光光油	3D小弧度	塑料件	亮光油漆
16	6KMY-190316-8500-11	右护板贴花 II	158*43	1	JLB100#BD	哑光光油	3D小弧度	塑料件	亮光油漆
17	6KMY-190317-8500-11	右护板贴花 III	199*121	1	JLB100#BD	哑光光油	3D小弧度	塑料件	亮光油漆
18	6KMY-190318-8500-11	右护板贴花 IV	47*32	1	JLB100#BD	哑光光油	3D小弧度	塑料件	亮光油漆
19	6KMY-190319-8500-11	右护板贴花 V	160*52	1	JLB100#BD	哑光光油	3D小弧度	塑料件	亮光油漆
20	6KMY-190320-8500-11	右护板贴花 VI	238*182	1	JLB100#BD	哑光光油	3D小弧度	塑料件	亮光油漆
21	6KMY-190321-8500-11	右护板贴花 VII	90*136	1	JLB100#BD	哑光光油	3D小弧度	塑料件	亮光油漆

Item No	Parts Number	Parts Name(EN)	Qty	Specification
01	6KMV-190301-8500-11	COMMERCIAL NAME DECAL	2	
02	6KMV-190302-8500-11	CFMOTO STICKER	2	
03	6KMV-190303-8500-11	DECAL 1, LH PANEL	1	
04	6KMV-190304-8500-11	DECAL 2, LH PANEL	1	
05	6KMV-190305-8500-11	DECAL 3, LH PANEL	1	
06	6KMV-190306-8500-11	DECAL 4, LH PANEL	1	
07	6KMV-190307-8500-11	DECAL 5, LH PANEL	1	
08	6KMV-190308-8500-11	DECAL 6, LH PANEL	1	
09	6KMV-190309-8500-11	DECAL 7, LH PANEL	1	
10	6KMV-190311-8500-11	DECAL 8, LH PANEL	1	
11	6KMV-190312-8500-11	DECAL 9, LH PANEL	1	
12	6KMV-190313-8500-11	DECAL 10, LH PANEL	1	
13	6KMV-190314-8500-11	DECAL 11, LH PANEL	1	
14	6KMV-190315-8500-11	DECAL 12, LH PANEL	1	
15	6KMV-190316-8500-11	DECAL 1, RH PANEL	1	
16	6KMV-190317-8500-11	DECAL 2, RH PANEL	1	
17	6KMV-190318-8500-11	DECAL 3, RH PANEL	1	
18	6KMV-190319-8500-11	DECAL 4, RH PANEL	1	
19	6KMV-190321-8500-11	DECAL 5, RH PANEL	1	
20	6KMV-190322-8500-11	DECAL 6, RH PANEL	1	
21	6KMV-190323-8500-11	DECAL 7, RH PANEL	1	
23	6KMV-190327-8500-11	DECAL, FRONT RIM	2	
24	6KMV-190328-8500-11	DECAL 1, RIM	2	
25	6KMV-190329-8500-11	DECAL, REAR RIM	2	
26	6KMV-190331-8500-11	DECAL 2, RIM	2	
27	6KMV-190332-8500-10	ABS DECAL	2	
28	6KMV-190333-8500-11	DECAL, LOWER PANEL	2	
29	6KMV-190334-8500-11	DECAL, REAR PANEL	1	
30	6KMV-190337-8500-10	SLOGAN DECAL	2	

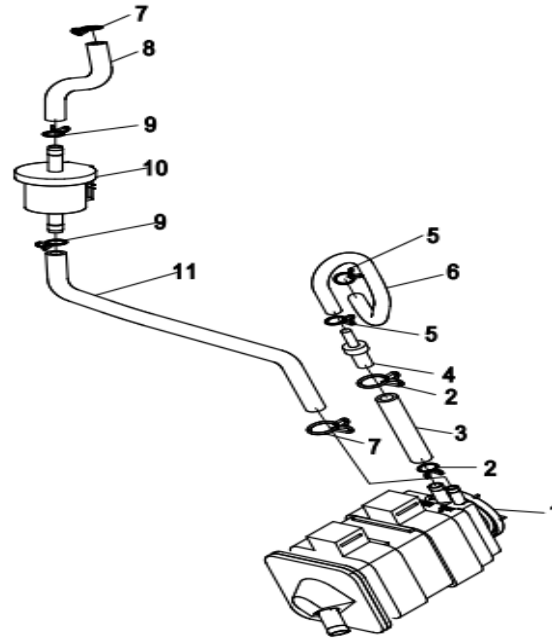
F20-V2 随车工具 TOOLS



Item No	Parts Number	Parts Name(EN)	Qty	Specification
02	8010-000012	TIE BAND ASSY	1	
03	6KM#-200400-8001	RH REAR VIEW MIRROR ASSY	1	
04	6KM#-200300-8001	LH REARVIEW MIRROR ASSY	1	
05	6KM#-200003-8000	PLUG	4	
06	30102-060025870	SCREW M6x25	4	
07	6KM#-200001-8001	RUBBER WASHER	2	
08	6KM#-200002-8001	SPACER	4	

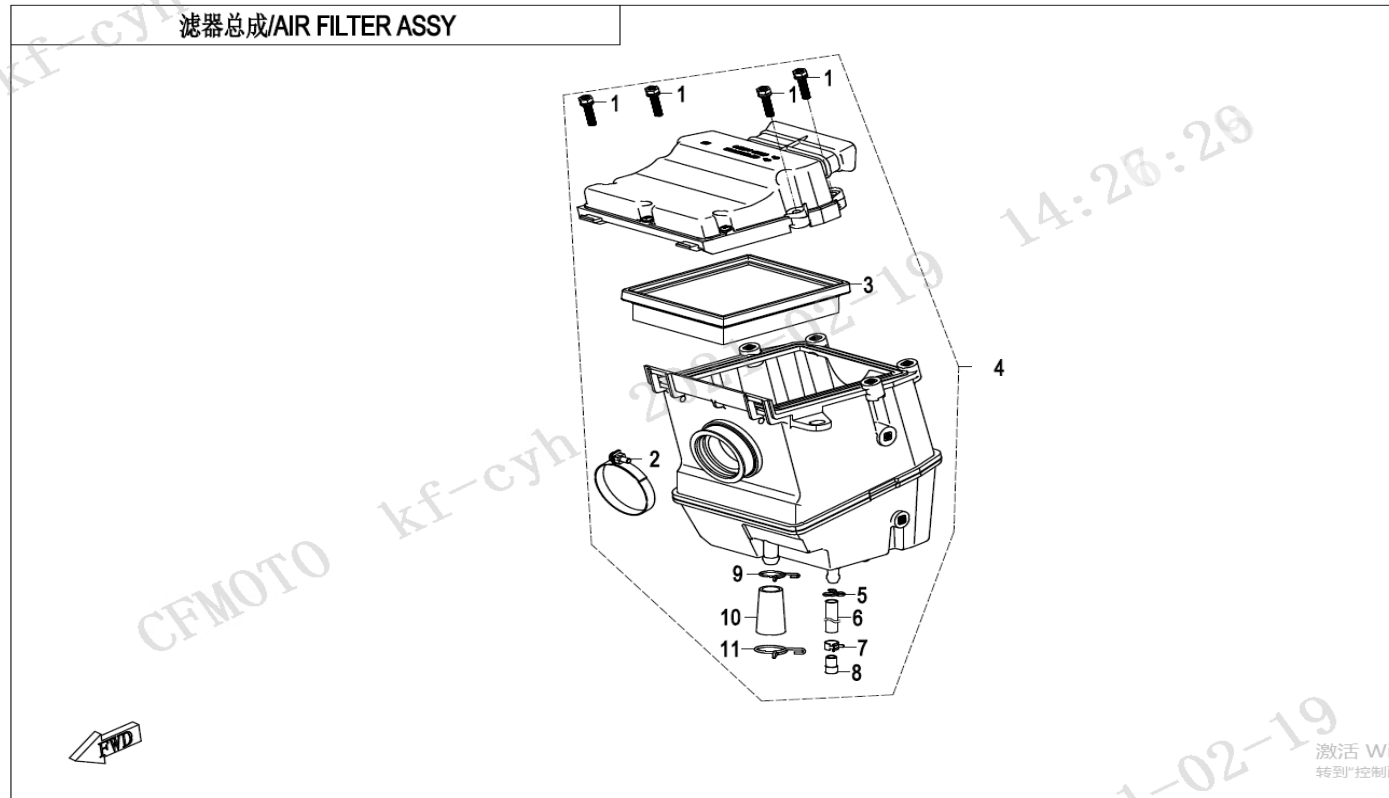
F36 燃油蒸发系统 FUEL VAPORIZAZION SYSTEM

燃油蒸发系统 FUEL VAPORIZAZION SYSTEM



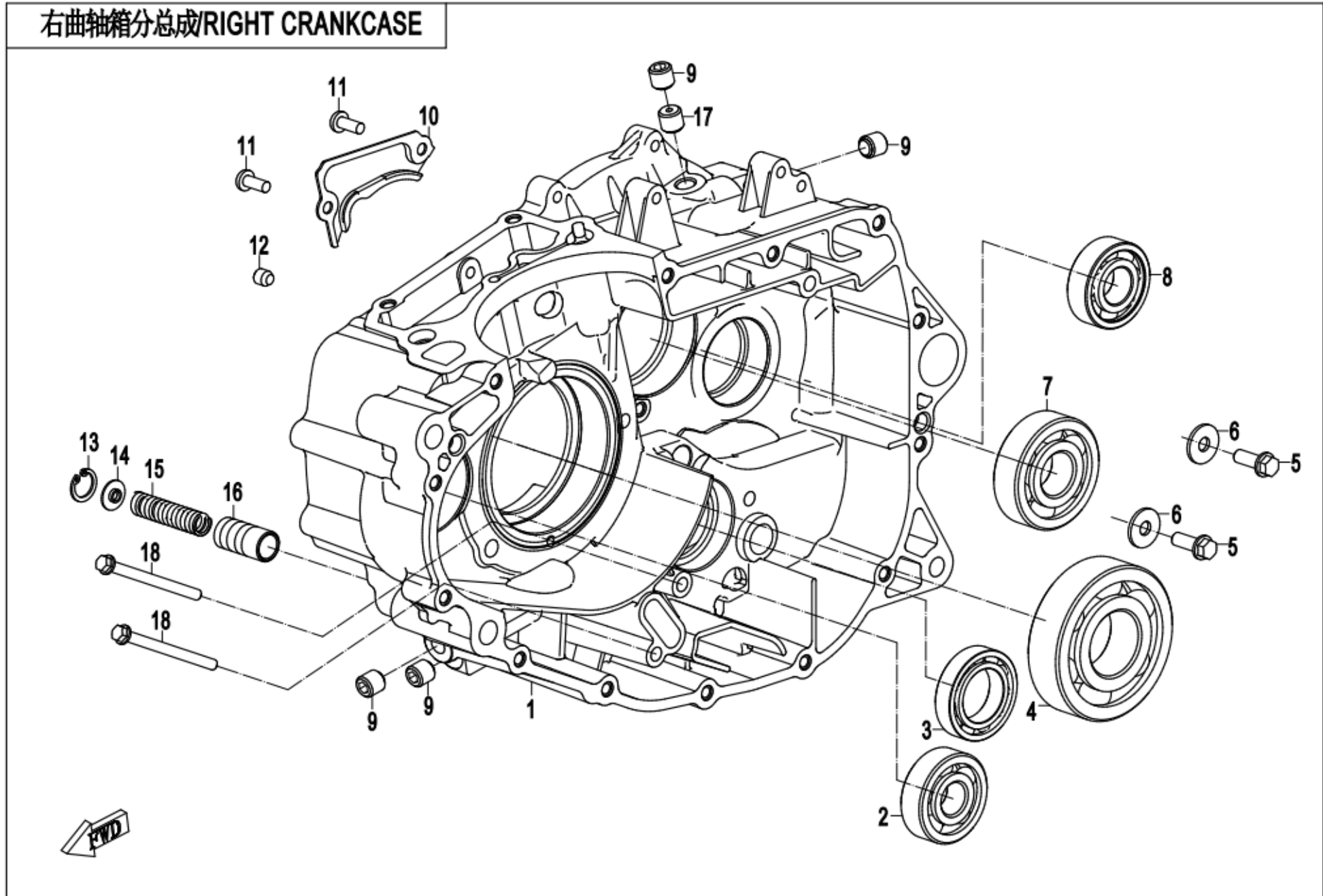
Item No	Parts Number	Parts Name(EN)	Qty	Specification
01	6NT1-360200	CANISTER	1	
02	30601-112010	CLAMP A12	2	
03	6NQ0-360005	FUEL VAPOR HOSE 5	1	
04	8010-180018	JOINT, HEAT TRANSMIT PIPE	1	
05	30601-108010	CLAMP A8	2	
06	6KM0-360003	FUEL VAPERIZATION PIPE 3	1	
07	30601-109010	CLAMP A9	2	
08	6KM0-360001	FUEL VAPERIZATION PIPE I	1	
09	30601-110010	CLAMP A10	2	
10	9GQ0-360100	TWO-WAY VALVE	1	
11	6KM0-360002	FUEL VAPERIZATION PIPE 2	1	

F41 空濾器 AIR FILTER



Item No	Parts Number	Parts Name(EN)	Qty	Specification
01	30114-060025470	SCREW ASSY M6x25	4	
02	ODM0-110200	CLAMP ASSY	1	
03	ODM0-110100	AIR FILTER ELEMENT	1	
04	ODN0-110000-00001	AIR FILTER ASSY	1	
05	30601-110010	CLAMP A10	1	
06	ODM0-110010-10000	OIL STORAGE HOSE	1	
07	30601-210530	CLAMP B10.5	1	
08	ODM0-110012	PLUG, OIL STORAGE HOSE	1	
09	30601-116010	CLAMP A16.5	1	
10	ODM0-110009	BREATHER HOSE	1	
11	30601-118010	CLAMP A20	1	

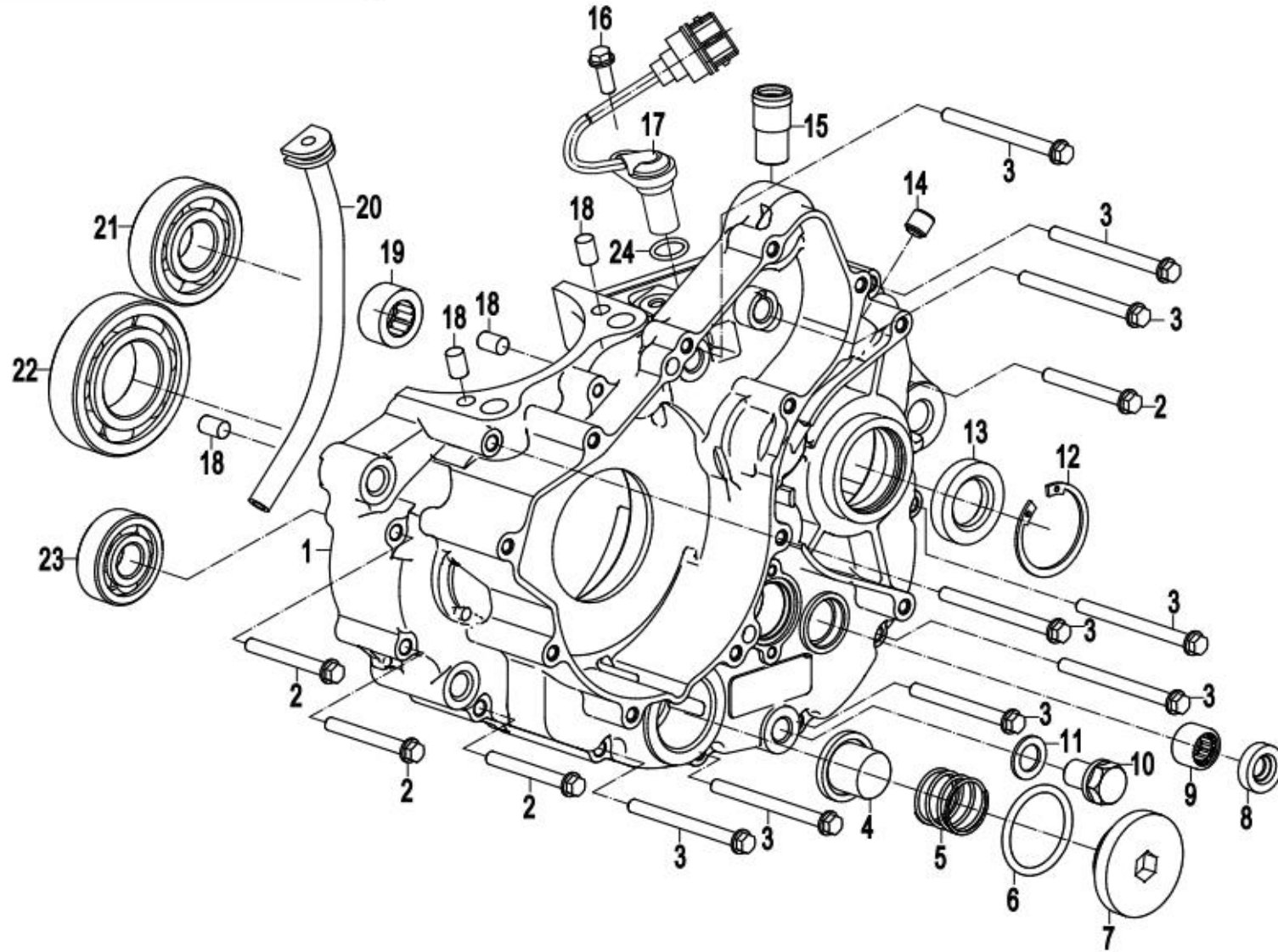
E01-1 右曲轴箱分总成 RIGHT CRANKCASE



Item No	Parts Number	Parts Name(EN)	Qty	Specification
01	0DM0-012010-0B203	RH CRANKCASE ASSY	1	MATTE BLACK
02	30499-01507	BEARING	1	
03	30499-02506	BEARING	1	
04	30499-03001	BEARING	1	
05	0010-090005-0010	BOLT M6x16	2	
06	30305-060112	WASHER φ6	2	
07	30499-02005	BEARING	1	
08	30499-01700	BEARING 6303C3@NTN	1	
09	01A0-012010-00001	SCREW	4	
10	0DM0-012001	VENTILATED COVER PLATE	1	
11	30105-050012890	SCREW M5x12	2	
12	0A70-013004	PLUG	1	
13	30800-01405	CIRCLIP FOR HOLE 14A	1	
14	0800-073004	SPRING SEAT, RELIEF VALVE	1	
15	01A0-012007	SPRING, RELIEF VALVE	1	
16	0DM0-012003	CORE, RELIEF VALVE	1	
17	0DM0-012002	RESTRICTION PLUG	1	
18	0020-011018-00001	BOLT M6x70	2	

E01-2 左曲轴箱分总成 LEFT CRANKCASE

左曲轴箱分总成 LEFT CRANKCASE



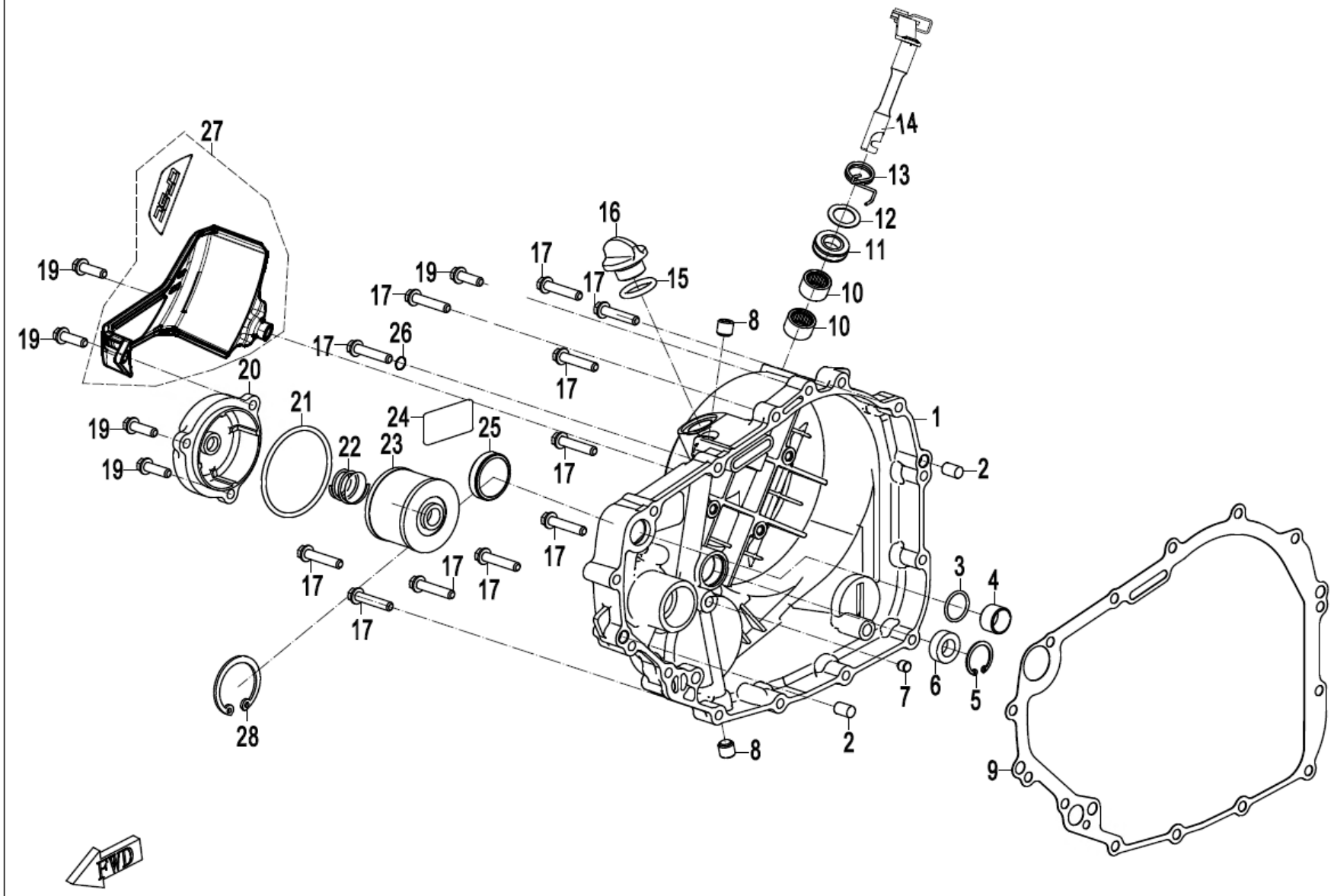
Item No	Parts Number	Parts Name(EN)	Qty	Specification
01	0DM0-011010-0B202	LH CRANKCASE ASSY	1	MATTE BLACK
01	0DM0-011010-0BP03	LH CRANKCASE ASSY	1	MAUD SPIRIT BLACK
02	0010-013010-0010	BOLT M6x50	4	
03	0020-011018-00001	BOLT M6x70	9	
04	0DM0-011030	OIL STRAINER	1	
05	01A0-012009	SCREEN SPRING	1	
06	01A0-012003	O-RING 35x3.5	1	
07	01A0-012002-0HA00	STRAINER COVER	1	SILVER GREY
07	01A0-012002-0HB00	STRAINER COVER	1	
08	0700-065220	OIL SEAL 13x22x5.5	1	
09	30403-01300	BEARING 13x19x12	1	
10	0180-011500	MAGNETIC DRAIN BOLT M12x1.5	1	
11	0010-021014	WASHER 12	1	
12	30800-04005	CIRCLIP FOR HOLE	1	
13	0DM0-011007	OIL SEAL 22x38x7	1	
14	01A0-012010-00001	SCREW	1	
15	0700-011103	PIPE BREATHER	1	
16	0010-090005-0010	BOLT M6x16	1	
17	0DM0-011020	SPEED SENSOR	1	
18	30410-00800	ROLLER	4	
19	0DM0-011050	BEARING 17x27x13	1	
20	0DM0-011005	OIL RETURN PIPE,ENGINE	1	
21	30499-02201	BEARING	1	
22	30499-03501	BEARING	1	
23	30499-01507	BEARING	1	
24	0DM0-011006	O-RING 13x2	1	

E01-3-A-V2

右侧盖分总成(滑动离合)

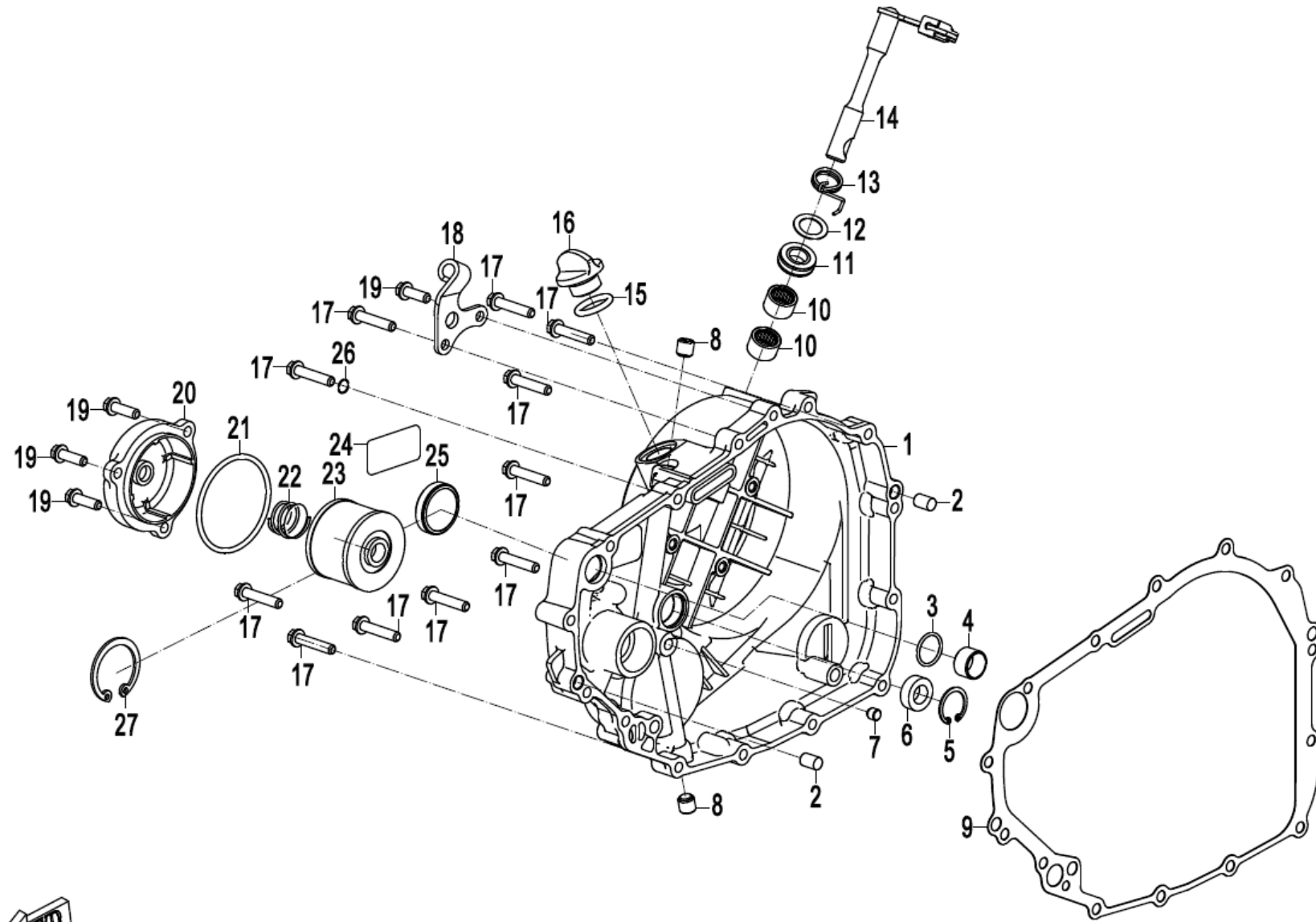
RIGHT SIDE COVER(SLIPPING CLUTCH)

右侧盖分总成/RIGHT SIDE COVER ASSY



Item No	Parts Number	Parts Name(EN)	Qty	Specification
01	0DMB-013005-1HA00	RH SIDE COVER	1	FOR SLIPPING CLUTCH
02	30410-00800	ROLLER	2	
03	30502-018000F	O-RING	1	
04	0DM0-013002	WATER PIPE	1	
05	30800-02205	CIRCLIP FOR HOLE	1	
06	0DM0-013007	OIL SEAL,CRANKCASE	1	
07	0A70-013004	PLUG	1	
08	01A0-012010-00001	SCREW	2	
09	0DM0-013001-00001	GASKET, RH SIDE COVER	1	
10	30403-01200	BEARING 12×16×10	2	
11	0010-080009	OIL SEAL 12x20x5	1	
12	0700-013007	WASHER 12.5x18.5x0.6	1	
13	0700-013006-10000	RETURN SPRING, CLUTCH LEVER	1	
14	0DMB-013300-00002	CLUTCH CONTROL SHAFT ASSY	1	FOR SLIPPING CLUTCH
15	0110-013030	O-RING 18x3.55	1	
16	0700-013008	PLUG, OIL FILLING	1	
17	0010-060012-0010	BOLT M6x30	11	
19	0010-023010-0010	BOLT M6x20	5	
20	0DM0-013003-0HB01	STRAINER COVER	1	
21	30502-057000F	O-RING 57x3	1	
22	0DM0-013009	SPRING, FILTER ELEMENT	1	
23	0DM0-013200	OIL FILTER ASSY, ENGINE	1	
25	0700-013100-00001	VIEWER, OIL LEVEL	1	
26	0700-012201	O-RING 5x2	1	
27	0DMB-019000	DECO COVER	1	
28	0HU0-013009	RETAINER	1	

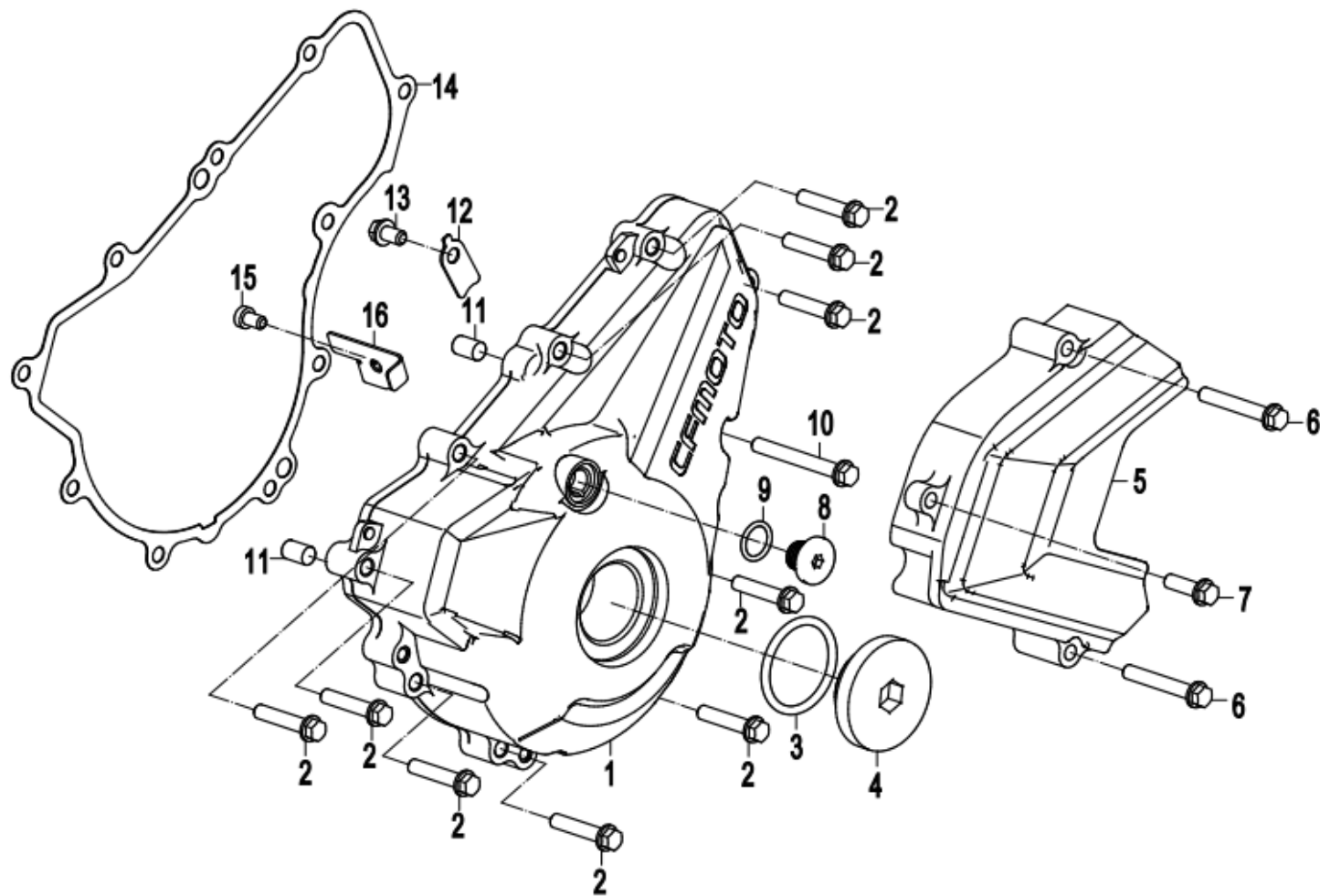
右侧盖分总成/RIGHT SIDE COVER ASSY



Item No	Parts Number	Parts Name(EN)	Qty	Specification
01	ODM0-013005-1HA04	RH SIDE COVER	1	FOR CABLE CLUTCH
02	30410-00800	ROLLER	2	
03	30502-018000F	O-RING	1	
04	ODM0-013002	WATER PIPE	1	
05	30800-02205	CIRCLIP FOR HOLE	1	
06	ODM0-013007	OIL SEAL,CRANKCASE	1	
07	0A70-013004	PLUG	1	
08	01A0-012010-00001	SCREW	2	
09	ODM0-013001-00001	GASKET, RH SIDE COVER	1	
10	30403-01200	BEARING 12×16×10	2	
11	0010-080009	OIL SEAL 12x20x5	1	
12	0700-013007	WASHER 12.5x18.5x0.6	1	
13	0700-013006-10000	RETURN SPRING, CLUTCH LEVER	1	
14	ODM0-013300-30000	CLUTCH CONTROL SHAFT ASSY	1	FOR CABLE CLUTCH
15	0110-013030	O-RING 18x3.55	1	
16	0700-013008	PLUG, OIL FILLING	1	
17	0010-060012-0010	BOLT M6x30	11	
18	ODM0-013011-20000	BRACKET, CLUTCH CABLE	1	
19	0010-023010-0010	BOLT M6x20	4	
20	ODM0-013003-0HB01	STRAINER COVER	1	
21	30502-057000F	O-RING 57x3	1	
22	ODM0-013009	SPRING, FILTER ELEMENT	1	
23	ODM0-013200	OIL FILTER ASSY, ENGINE	1	
25	0700-013100-00001	VIEWER, OIL LEVEL	1	
26	0700-012201	O-RING 5x2	1	
27	0HU0-013009	RETAINER	1	

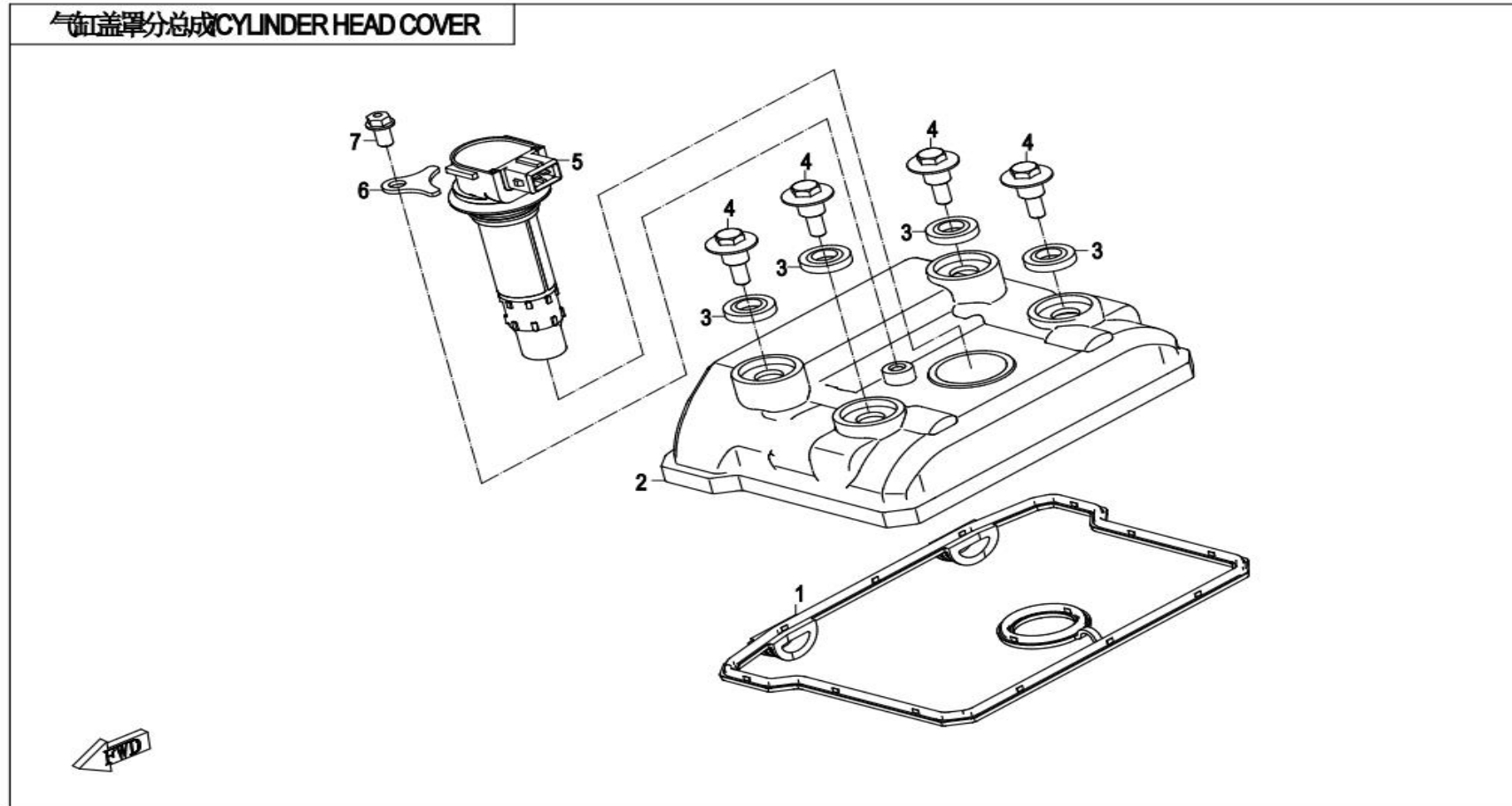
E01-4 左侧盖分总成 LEFT SIDE COVER

左侧盖分总成 LEFT SIDE COVER



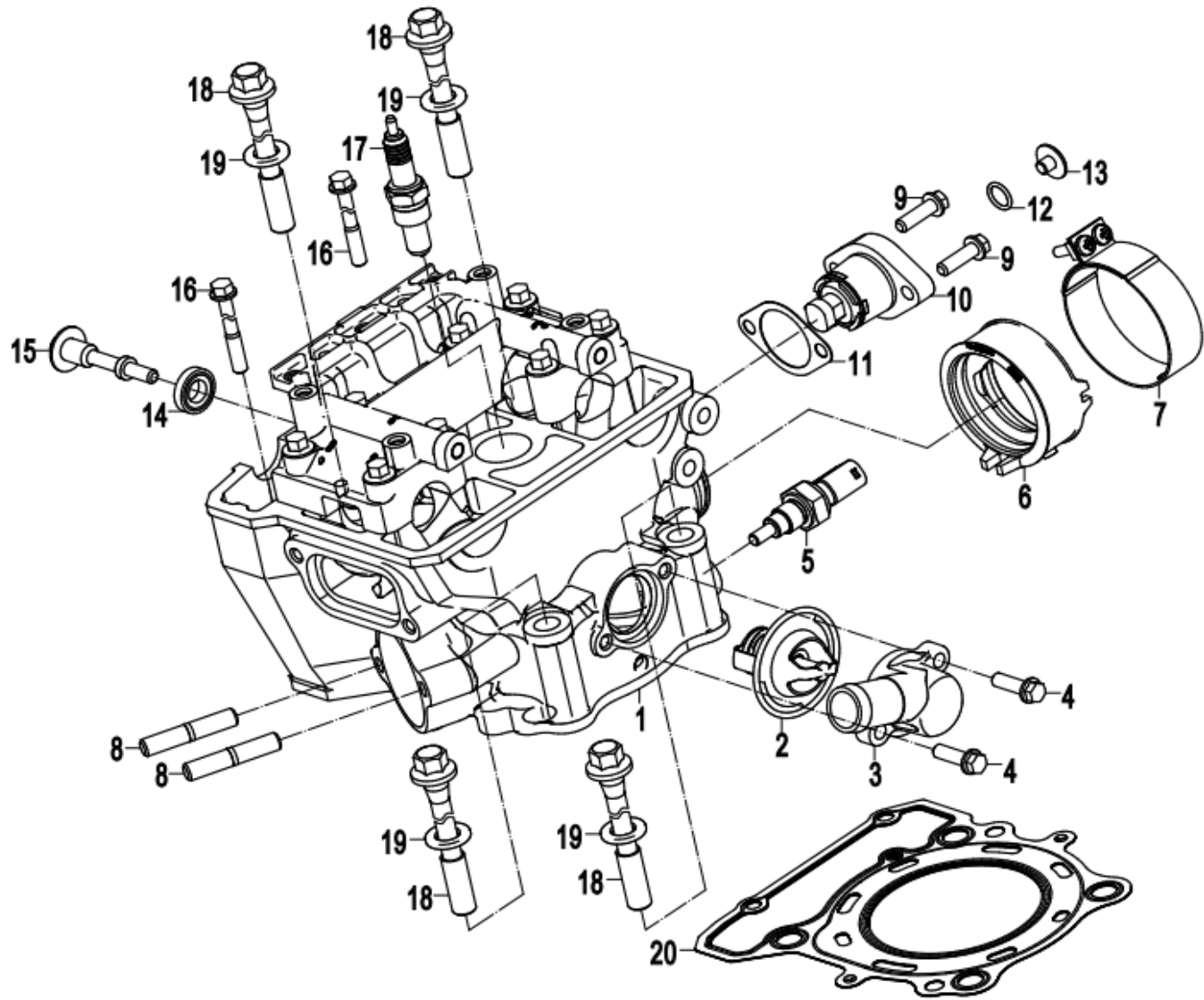
Item No	Parts Number	Parts Name(EN)	Qty	Specification
01	0DMB-014002-0HB00	LH SIDE COVER	1	VELOCITY GREY
02	0010-060012-0010	BOLT M6x30	9	
03	01A0-012003	O-RING 35x3.5	1	
04	01A0-012002-0HA00	STRAINER COVER	1	SILVER GREY
05	0DM0-014100	REAR COVER ASSY, LH	1	
06	0010-013009-0010	BOLT M6x40	2	
07	0010-023010-0010	BOLT M6x20	1	
08	0DM0-014003	VIEWING HOLE, TIMING INSPECTION	1	
09	01A0-013005	O-SEAL RING 13x2	1	
10	0010-013010-0010	BOLT M6x50	1	
11	30410-00800	ROLLER	2	
12	0DM0-014004	FIXING PAD, HARNESS	1	
13	0010-080010-00001	BOLT M6x10	1	
14	0DM0-014001-00001	GASKET, LH SIDE COVER	1	
15	30102-050012810	SCREW M5x12	1	
16	0A80-014005	WIRE CLAMP	1	

E02-1 气缸盖罩分总成 CYLINDER HEAD COVER



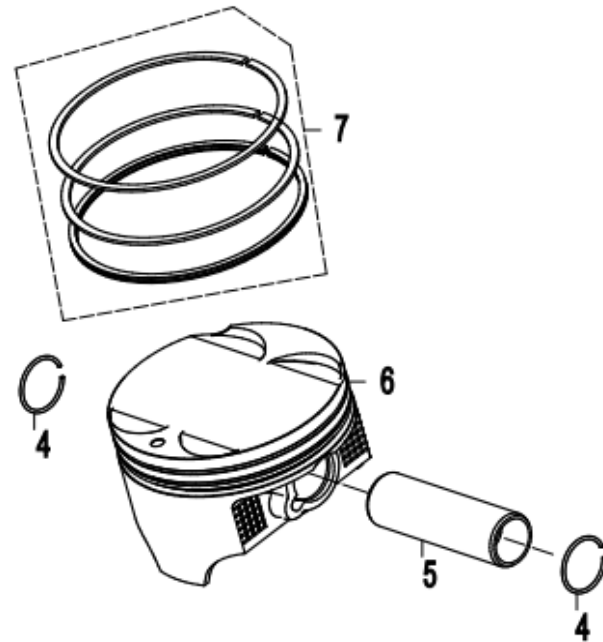
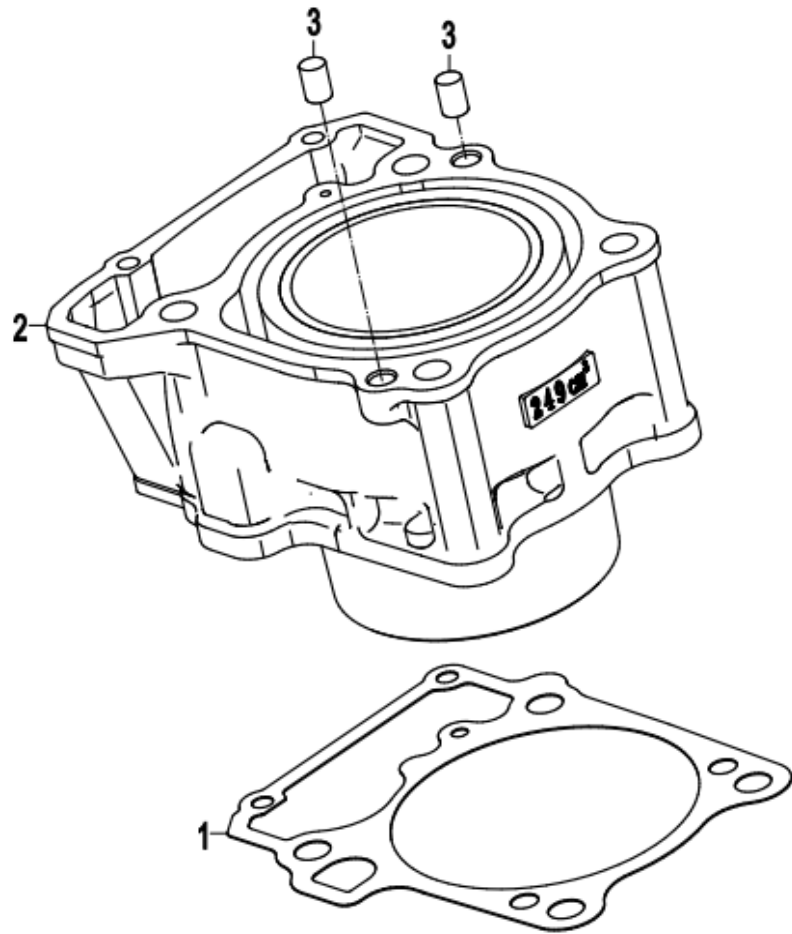
Item No	Parts Number	Parts Name(EN)	Qty	Specification
01	ODM0-021100	SEAL RING ASSY, CYLINDER HEAD COVER	1	
02	ODM0-021001-0HA00	CYLINDER HEAD COVER	1	
02	ODM0-021001-0HB00	CYLINDER HEAD COVER	1	
03	0700-021200	CYLINDER HEAD COVER BOLT SEAL RING	4	
04	0700-021003-00001	CYLINDER HEAD COVER BOLT	4	GALVANIZED TRIVALENT CHRO
05	ODM0-178000	IGNITION COIL	1	
06	ODM0-021002	PRESS PLATE	1	
07	0010-021019-0010	BOLT M6x12	1	

气缸盖分总成 CYLINDER HEAD



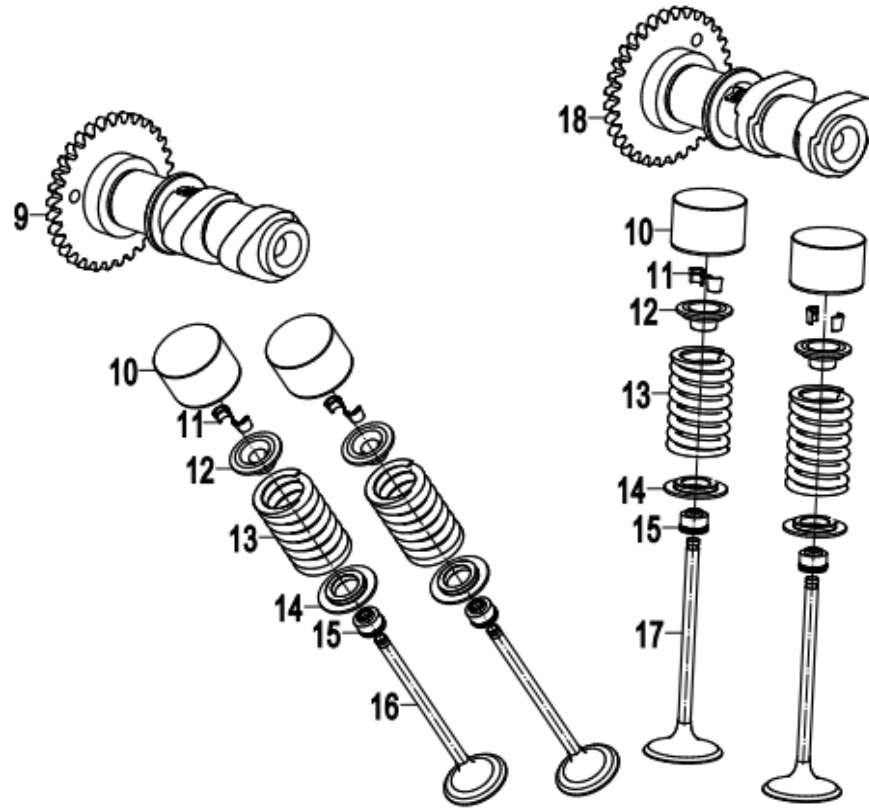
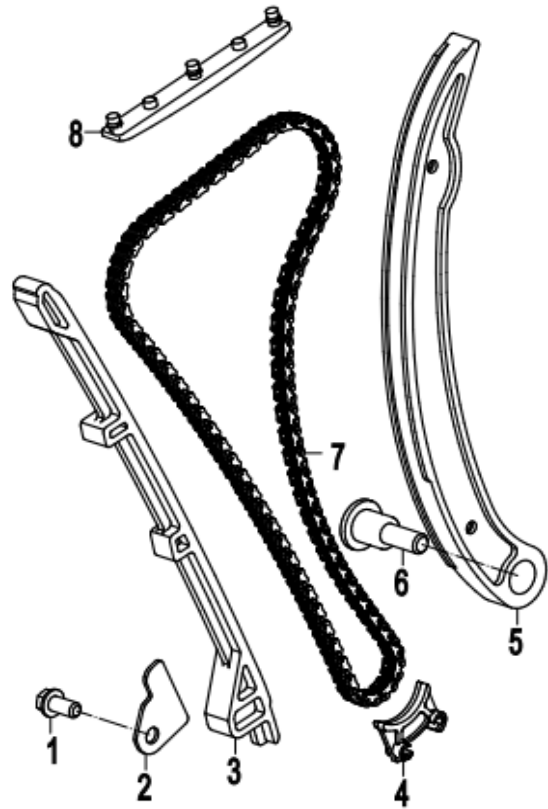
Item No	Parts Number	Parts Name(EN)	Qty	Specification
01	ODM0-022200-1BP00	CYLINDER BODY ASSY	1	
02	ODM0-022400	THERMOSTAT ASSY	1	
03	ODM0-022005-0B200	THERMOSTAT CAP	1	MATTE BLACK
04	0010-023010-0010	BOLT M6x20	2	
05	018B-022810	WATER TEMPERATURE SENSOR	1	
06	ODM0-022006	CONNECTING PIPE, THROTTLE BODY	1	
07	ODM0-022300	CLAMP, CONNECTING PIPE	1	
08	0180-022003-00001	STUD	4	
09	0010-080013-0010	BOLT M6x22	2	
10	ODM0-024500	TENSIONER ASSY	1	
11	ODM0-024011	SEALING GASKET, TENSIONER	1	
12	0060-022001	O-SEAL RING	1	
13	0JYA-023001-00001	HEX FLANGE BOLT	1	
14	0700-021200	CYLINDER HEAD COVER BOLT SEAL RING	1	
15	ODM0-022008-00001	CYLINDER HEAD DAMPING BOLT	1	
16	0010-011016-00001	BOLT M6x125	2	
17	0700-170200	SPARK PLUG	1	
18	0700-022013-00001	CYLINDER HEAD BOLT M10x158	4	
19	0700-022016	WASHER 10.5x19x2.3	4	
20	ODM0-022100	GASKET KIT, CYLINDER HEAD	1	

气缸和活塞 CYLINDER & PISTON



Item No	Parts Number	Parts Name(EN)	Qty	Specification
01	ODM0-023001-10000	SEAL GASKET, CYLINDER	1	
02	ODM0-023100-0BP11	CYLINDER BODY ASSY	1	I
02	ODM0-023100-0BP21	CYLINDER BODY ASSY	1	II
03	30410-00800	ROLLER	2	
04	0110-040006-0050	CIRCLIP, PISTON PIN	2	
05	ODM0-040008	PISTON PIN	1	
06	ODM0-040007-00021	PISTON (II)	1	II
06	ODM0-040007-00011	PISTON (I)	1	I
07	ODM0-040100	PISTON RING ASSY	1	

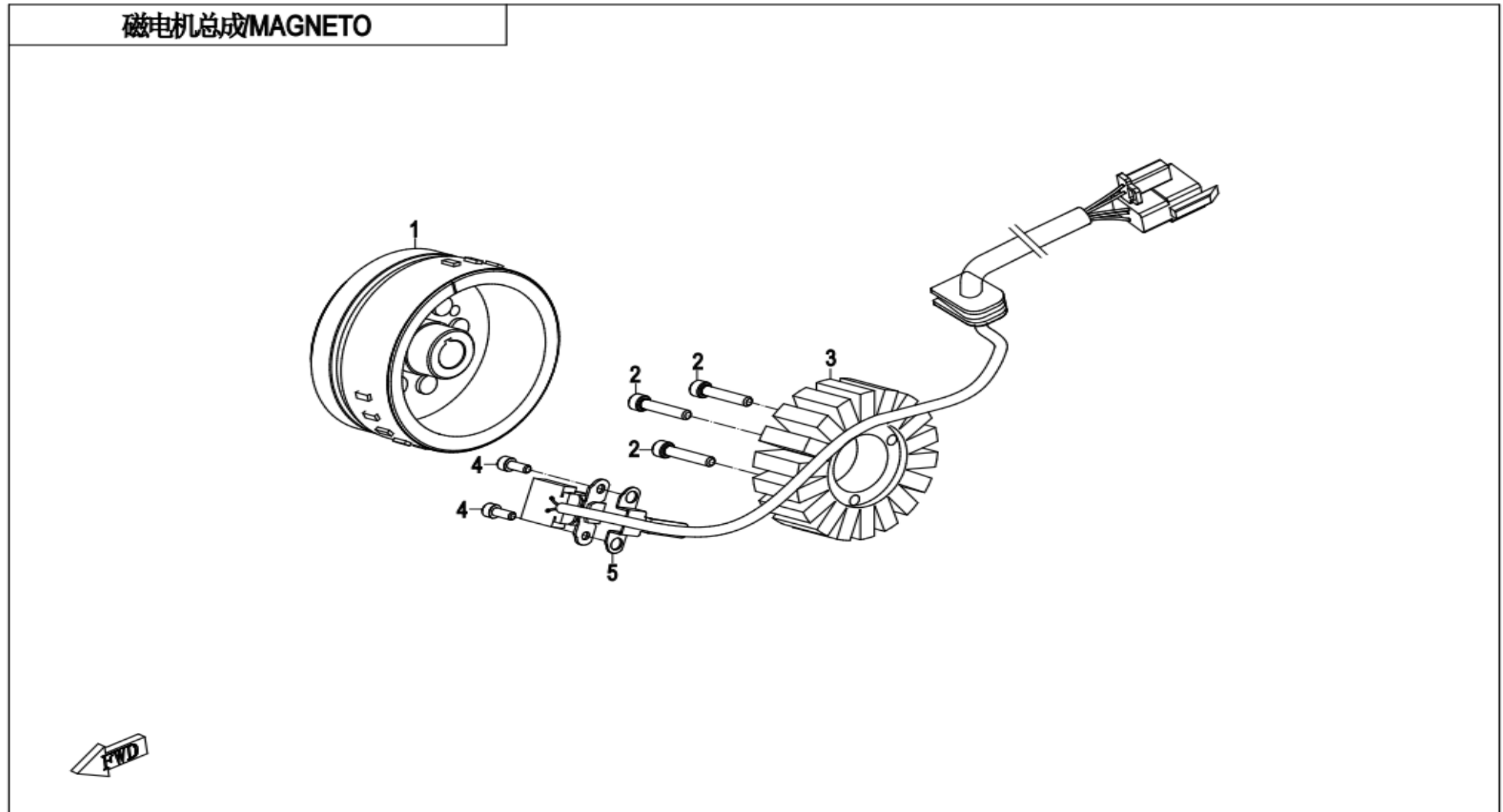
配气传动分总成CAMSHAFT



Item No	Parts Number	Parts Name(EN)	Qty	Specification
01	0010-021019-0010	BOLT M6x12	1	
02	0DM0-024002	STOPPER, CHAIN GUIDE	1	
03	0DM0-024008	CHAIN GUIDE	1	
04	0DM0-024009	CHAIN GUARD	1	
05	0DMB-024002	TENSIONER PLATE	1	Slipping clutch
05	0DM0-024400	TENSION PLATE ASSY	1	Cable clutch
06	0DMB-024001	THREADED SHAFT PIN	1	Slipping clutch
06	0DM0-024001	PIN SHAFT	1	Cable clutch
07	0DM0-024300	TIMING CHAIN	1	
08	0DM0-024005	CHAIN GUIDE BLOCK	1	
09	0DM0-024200-10000	CAMSHAFT, AIR EXHAUST	1	
10	0700-022005-0090	TAPPET	4	t=3.38
10	0700-022005-0100	TAPPET	4	t=3.40
10	0700-022005-0110	TAPPET	4	t=3.42
10	0700-022005-0120	TAPPET	4	t=3.44
10	0700-022005-0130	TAPPET	4	t=3.46
10	0700-022005-0140	TAPPET	4	t=3.48
10	0700-022005-0150	TAPPET	4	t=3.50
10	0700-022005-0160	TAPPET	4	t=3.52
10	0700-022005-0170	TAPPET	4	t=3.54
10	0700-022005-0180	TAPPET	4	t=3.56
10	0700-022005-0190	TAPPET	4	t=3.58
10	0700-022005-0200	TAPPET	4	t=3.60
10	0700-022005-0210	TAPPET	4	t=3.62
10	0700-022005-0220	TAPPET	4	t=3.64
10	0700-022005-0230	TAPPET	4	t=3.66
10	0700-022005-12500	TAPPET	4	t=3.68
10	0700-022005-12600	TAPPET	4	t=3.70
10	0700-022005-0260	TAPPET	4	t=3.72
10	0700-022005-12800	TAPPET	4	t=3.74
10	0700-022005-0280	TAPPET	4	t=3.76
10	0700-022005-0290	TAPPET	4	t=3.78
10	0700-022005-0300	TAPPET	4	t=3.80

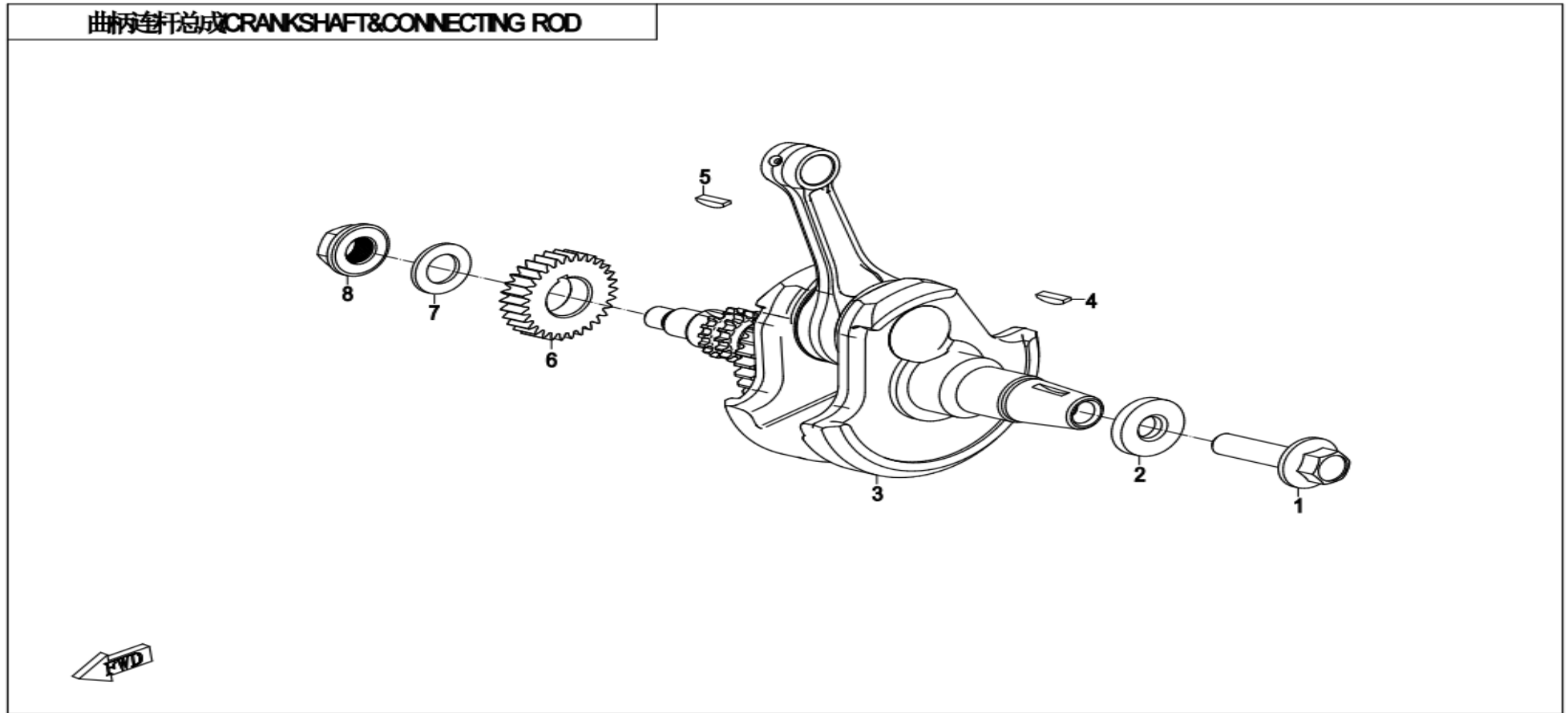
10	0700-022005-13200	TAPPET	4	t=3.82
10	0700-022005-0320	TAPPET	4	t=3.84
10	0700-022005-0330	TAPPET	4	t=3.86
10	0700-022005-0340	TAPPET	4	t=3.88
10	0700-022005-13600	TAPPET	4	t=3.90
10	0700-022005-0360	TAPPET	4	t=3.92
10	0700-022005-0370	TAPPET	4	t=3.94
10	0700-022005-0380	TAPPET	4	t=3.96
10	0700-022005-0390	TAPPET	4	t=3.98
10	0700-022005-0400	TAPPET	4	t=4.00
10	0700-022005-0410	TAPPET	4	t=4.02
10	0700-022005-0420	TAPPET	4	t=4.04
10	0700-022005-0430	TAPPET	4	t=4.06
10	0700-022005-0440	TAPPET	4	t=4.08
10	0700-022005-0450	TAPPET	4	t=4.10
10	0700-022005-0460	TAPPET	4	t=4.12
10	0700-022005-0470	TAPPET	4	t=4.14
10	0700-022005-0480	TAPPET	4	t=4.16
10	0700-022005-0490	TAPPET	4	t=4.18
10	0700-022005-15100	TAPPET	4	t=4.20
10	0700-022005-15200	TAPPET	4	t=4.22
10	0700-022005-0520	TAPPET	4	t=4.24
10	0700-022005-0530	TAPPET	4	t=4.26
10	0700-022005-15500	TAPPET	4	t=4.28
11	0700-022004	LOCK CLIP, VALVE	8	
12	0700-022003	UPPER SEAT, VALVE SPRING	4	
13	0700-022007-10000	SPRING, VALVE	4	HANG ZHOU SPRING
14	0700-022006	LOWER SEAT, VALVE SPRING	4	
15	0700-022400-1000	SEAL RING, VALVE STEM	4	
16	0DM0-022002-00001	AIR EXHAUST VALVE	2	
17	0DM0-022001-00001	AIR INTAKE VALVE	2	
18	0DM0-024100-00001	CAMSHAFT, AIR INLET	1	
18	0DM0-024100-10000	CAMSHAFT, AIR INTAKE	1	

E03 磁电机总成 MAGNETO



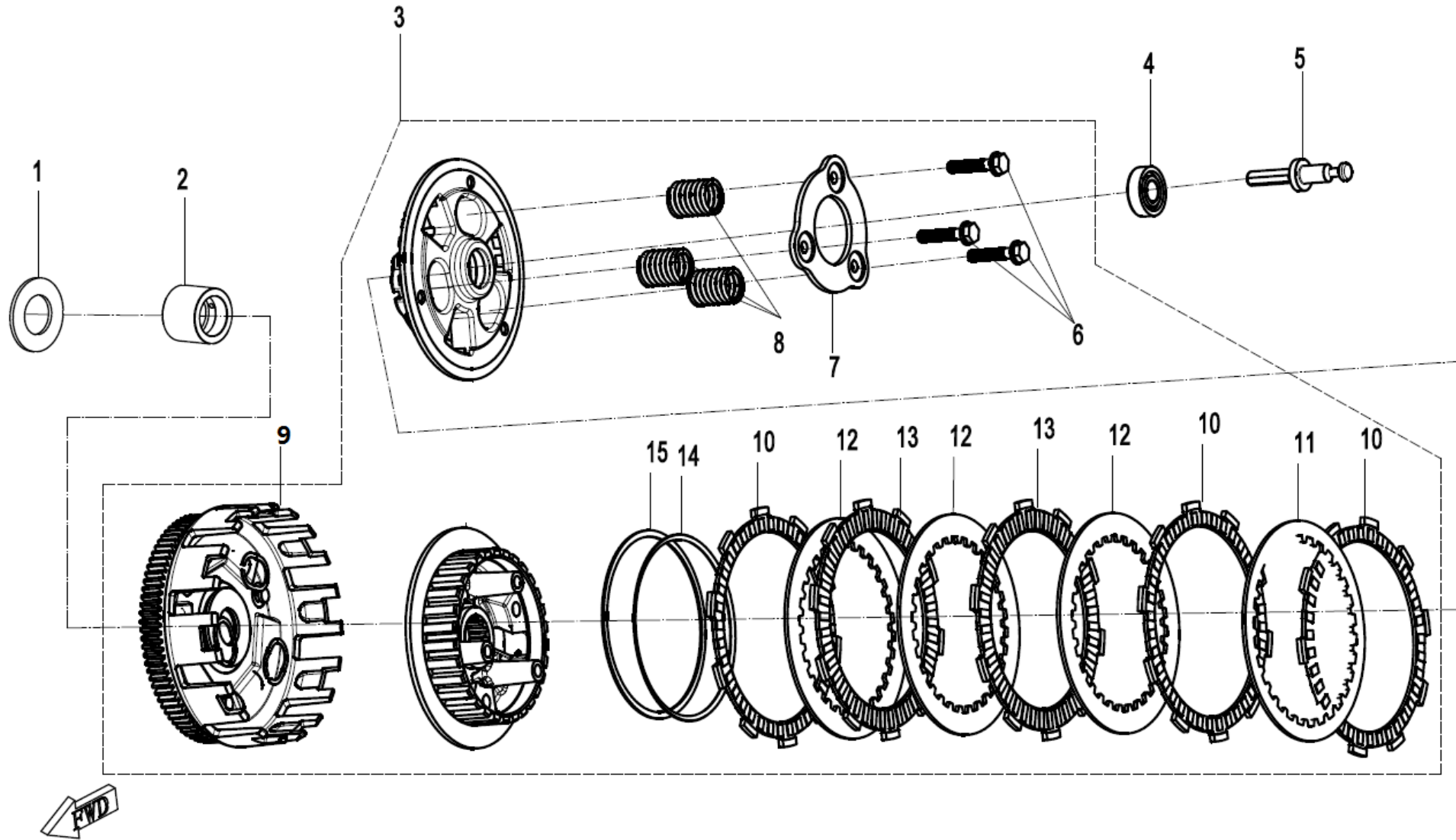
Item No	Parts Number	Parts Name(EN)	Qty	Specification
01	ODM0-031000-10001	MAGNETO ROTOR ASSY.	1	
02	0060-030003-0030	INNER HEX BOLT M6x30	3	
03	ODMV-032000-0001	MAGNETO STATOR ASSY	1	
04	30102-050012810	SCREW M5×12	2	
05	ODM0-030001	CABLE FIX BRACKET, TRIGGER	1	

E04 曲轴连杆总成 CRANKSHAFT&CONNECTING ROD

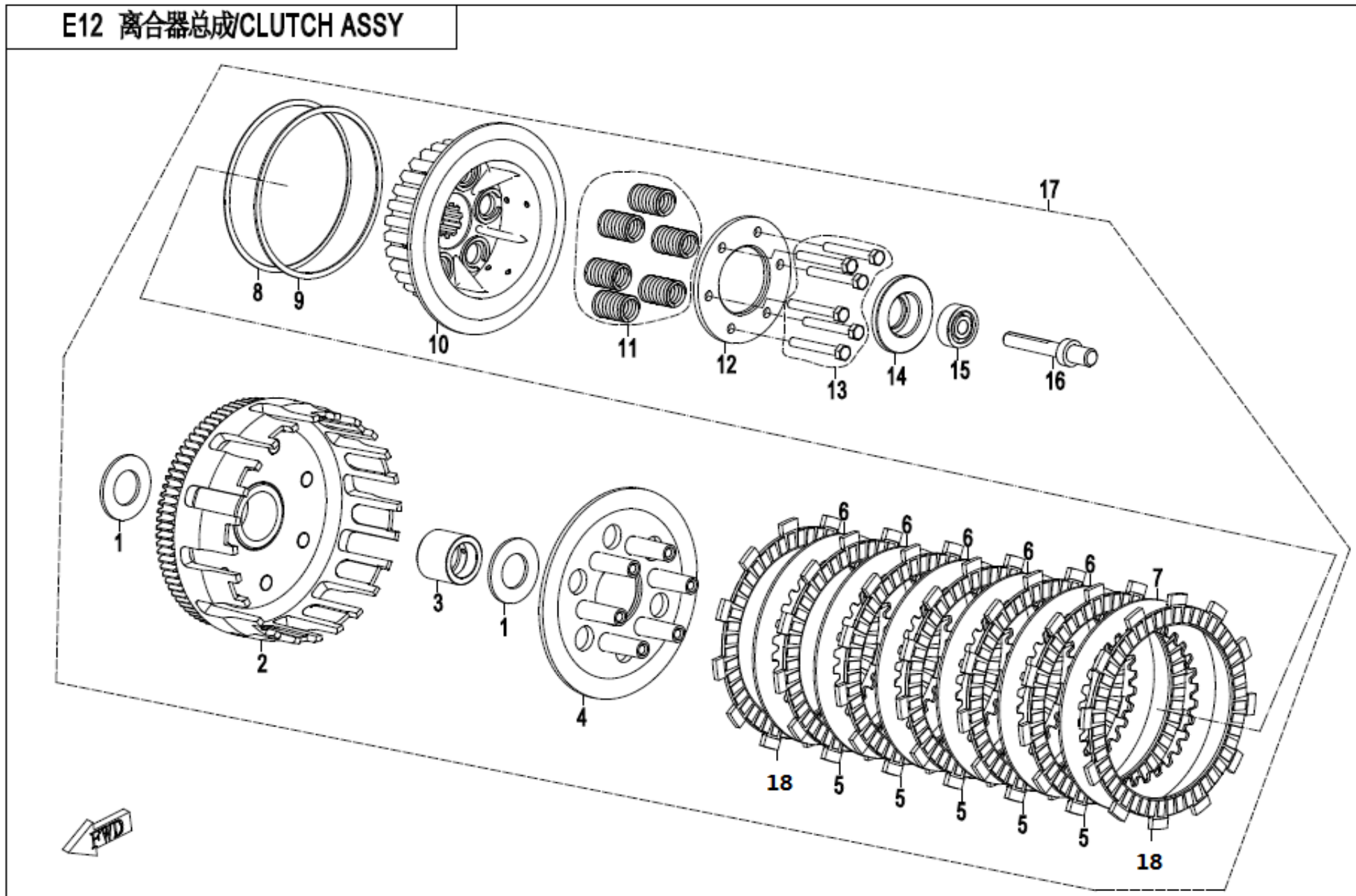


Item No	Parts Number	Parts Name(EN)	Qty	Specification
01	0700-040001-20000	BOLT M12x1.25x45	1	
02	0700-040002-00001	WASHER 12.5x33x5	1	
03	0DM0-041000-00014	CRANKSHAFT ASSEMBLY	1	
04	0010-040006	WOODRUFF KEY	1	
05	0DM0-040009	WOODRUFF KEY	1	
06	0DM0-040002	OUTPUT GEAR	1	
07	0DM0-040003	CIRCLIP16	1	
08	0110-040001-00001	NUT M16x1	1	

离合器总成/CLUTCH ASSY



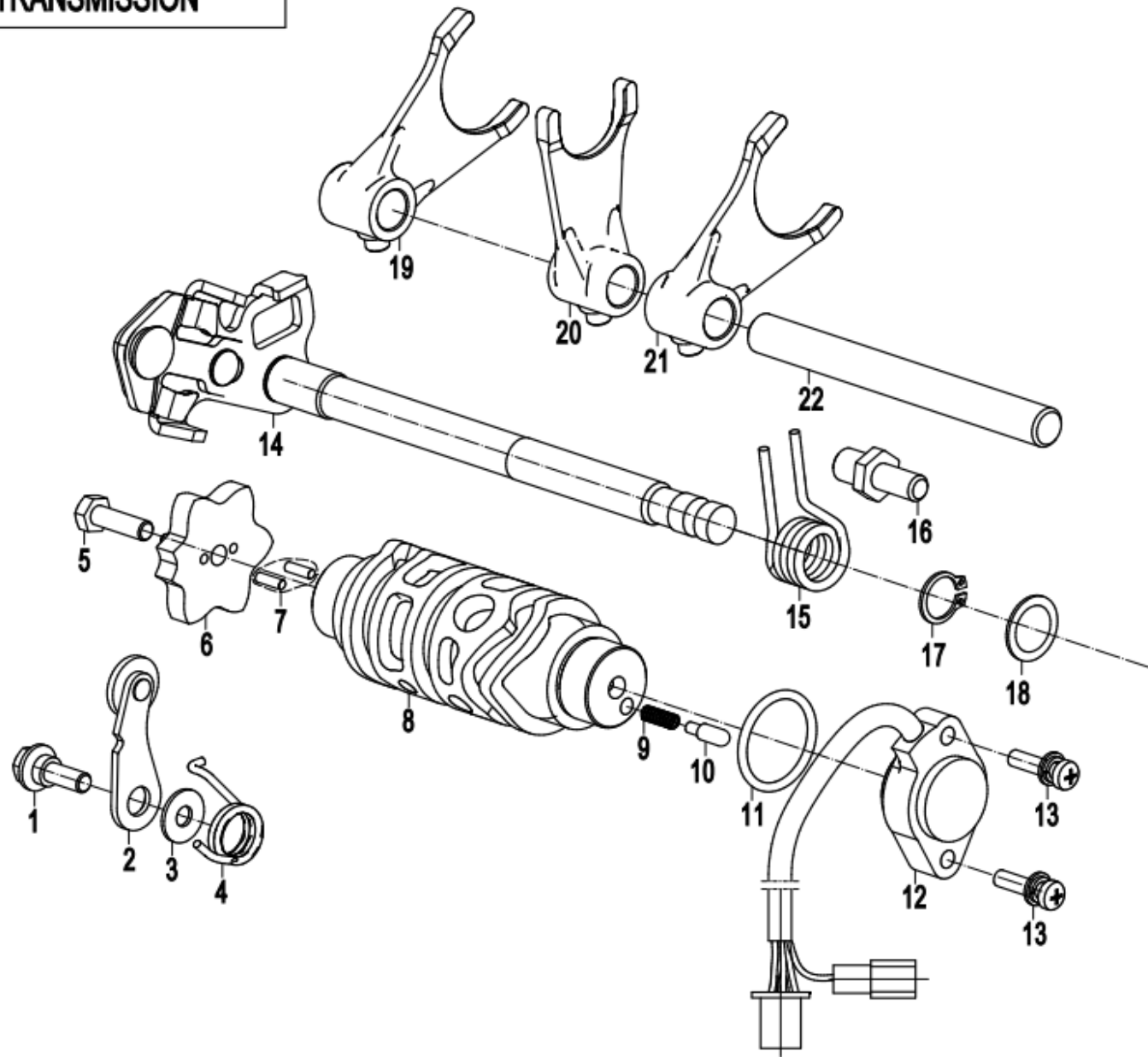
Item No	Parts Number	Parts Name(EN)	Qty	Specification
01	ODM0-050004	WASHER 20x37x2	1	
02	ODM0-050003	COLLAR	1	
03	ODMB-051000	CLUTCH SUB ASSY.	1	
04	30400-01207	ROLLER BEARING	1	
05	ODMB-050001	TIE-ROD	1	
06	ODMB-051208	BOLT M6x30	3	
07	ODMB-051209	PRESS SPRING PLATE	1	
08	ODMB-051202	PRESS SPRING	3	
09	ODMB-051100	PRIMARY DRIVEN GEAR ASSY	1	
10	ODMB-051220	FRICTION DISC 2	3	
11	ODMB-051205	DRIVEN DISC 1	1	
12	ODMB-051207	DRIVEN DISC 2	3	
13	ODMB-051210	FRICTION DISC 1	2	
14	ODMB-051204	BELLEVILLE SPRING	1	
15	ODMB-051203	BELLEVILLE SEAT	1	



Item No	Parts Number	Parts Name(EN)	Qty	Specification
01	0DM0-050004	WASHER 20x37x2	2	
02	0DM0-051000	PRIMARY DRIVEN GEAR ASSY	1	
03	0DM0-050003	COLLAR	1	
04	0DM0-052006	PRESSURE PLATE	1	
05	0DM0-052200	FRICTION DISC ASSY	5	
06	0DM0-052005	DRIVEN DISC 1	5	
07	0DM0-052007	DRIVEN DISC 2	1	
08	0DM0-052004-10000	BELLE SPRING	1	
09	0DM0-052003-10000	SPRING SEAT	1	
10	0DM0-052100	SLEEVE	1	
11	0DM0-052002	PRESS SPRING	6	
12	0DM0-052001	LIFT-SLAB	1	
13	0DM0-052008	BOLT M5x25	6	
14	0DM0-050002	BEARING SEAT	1	
15	30400-00802	BEARING	1	
16	0DM0-050001-10000	DAMPER ROD	1	
17	0DM0-050000-30000	CLUTCH ASSY	1	
18	0DM0-052300-00001	FRICTION DISC ASSY 1	2	

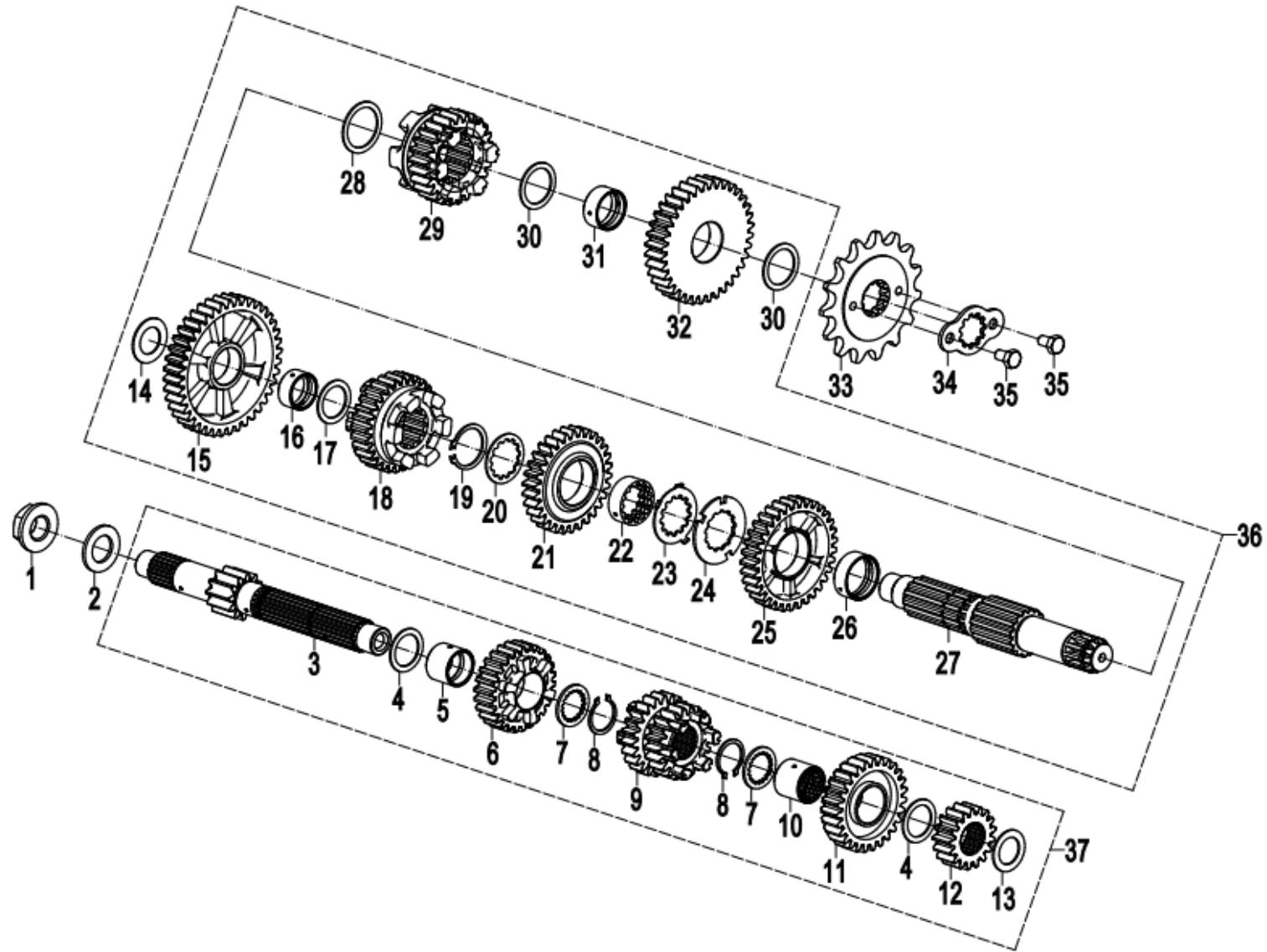
E06-1 换档变速总成(1) TRANSMISSION(1)

换档变速总成 TRANSMISSION



Item No	Parts Number	Parts Name(EN)	Qty	Specification
01	0A70-065001	GEARSHIFT CAM BOLT M6	1	
02	0DM0-065100-00001	SWING ARM, GEARSHIFT	1	
03	0700-064001	WASHER 6.3x16.3x1.2	1	
04	0DM0-065001	SPRING, SWING ARM, GEARSHIFT	1	
05	30004-060016130	BOLT M6x16	1	
06	0DM0-064002	CAM, GEARSHIFT DRUM	1	
07	30406-00303	NEEDLE BEARING	2	
08	0DM0-064001-00001	SHIFT DRUM	1	
09	0A70-064003	SPRING	2	
10	0A70-064004	CONTACTOR, GEAR SWITCH	2	
11	0A70-060014	O-RING 26.2x2.4	1	
12	0DMV-066000-1301	GEAR POSITION SENSOR	1	
13	30116-050020410	SCREW ASSY M5x20	2	
14	0DM0-063100-00001	GEARSHIFT ROD ASSY	1	
15	0DM0-063001	RETURN SPRING, GEARSHIFT	1	
16	0DM0-063002-00001	SHIFT POSITION SPRING PIN	1	
17	30801-01405	CIRCLIPS FOR SHAFT	1	14
18	0DM0-063003	WASHER 14x20x1	1	
19	0DM0-060006	SHIFT FORK, RH	1	
20	0DM0-060005	SHIFT FORK, MID	1	
21	0DM0-060004	SHIFT FORK, LH	1	
22	0DM0-060003	FORK SHAFT	1	

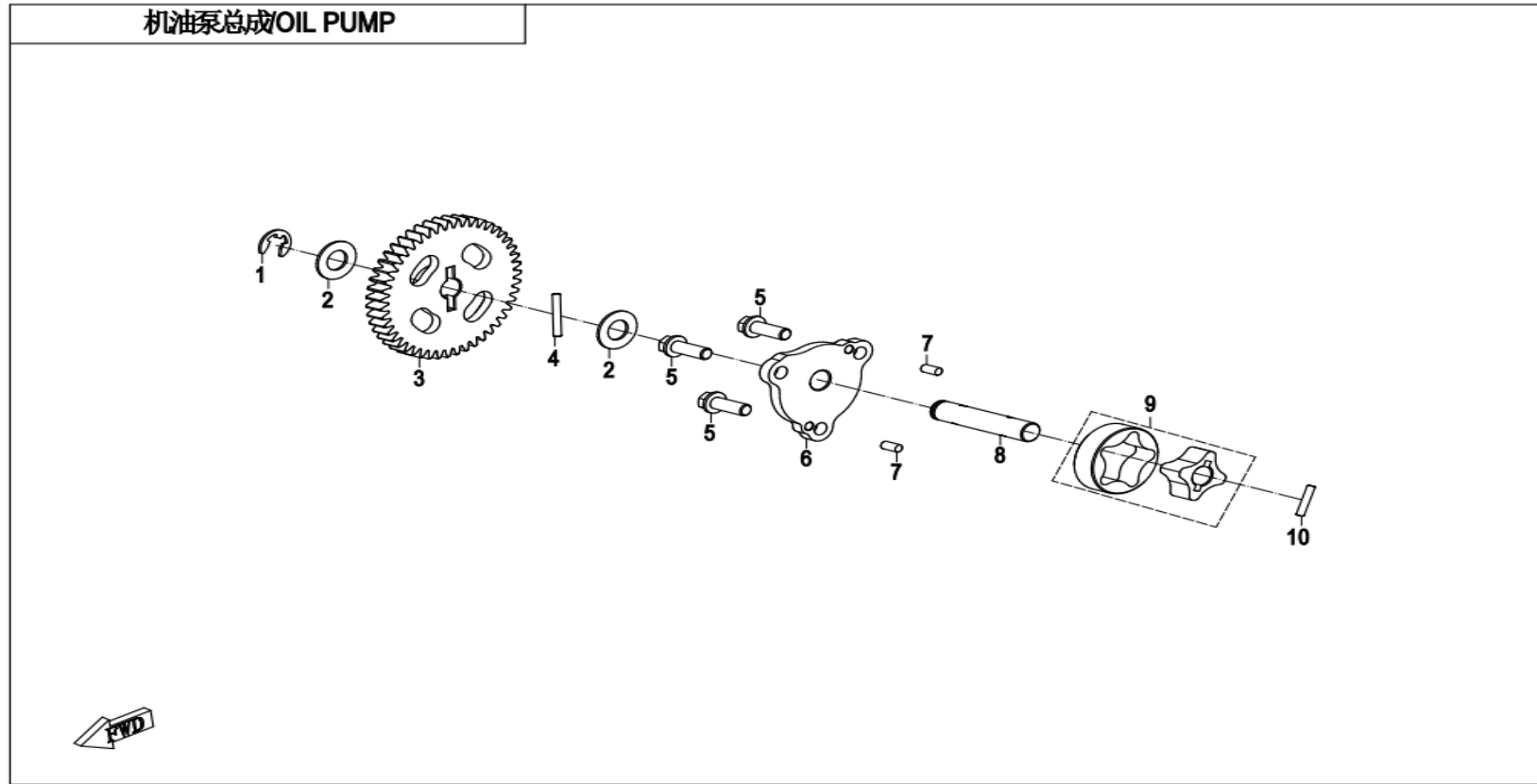
换档变速总成 TRANSMISSION



Item No	Parts Number	Parts Name(EN)	Qty	Specification
01	0110-040001-00001	NUT M16x1	1	
02	0DM0-040003	CIRCLIP16	2	
03	0DM0-061001	DRIVE SHAFT	1	
04	0DM0-061006	WASHER 20x27x1	2	
05	0DM0-061007	BUSHING 20x23x17.2	1	
06	0DM0-061004	5TH GEAR, DRIVE	1	26
07	0DM0-061008	SPLINE WASHER 20x26x1.6	2	
08	0DM0-061012	CIRCLIPS FOR SHAFT 20	2	
09	0DM0-061003	3RD<(>&<)>4TH GEAR, DRIVE	1	
10	0DM0-061009	SPLINE SLEEVE 23	1	
11	0DM0-061005	6TH GEAR, DRIVE	1	27
12	0DM0-061002	2ND GEAR, DRIVE	1	17
13	0DM0-061011	WASHER 17x26x1	1	
14	0DM0-062021	LOCK WASHER 17x28x1	1	
15	0DM0-062002	1ST GEAR, DRIVEN	1	
16	0DM0-062019	BUSHING 20x23x10.5	1	
17	0DM0-062018	WASHER 20	1	
18	0DM0-062006	5TH GEAR, DRIVEN	1	
19	0DM0-062017	CIRCLIPS FOR SHAFT 25	1	
20	0DM0-062016	SPLINE WASHER 25x31x1	1	
21	0DM0-062005	4TH GEAR, DRIVEN	1	
22	0DM0-062015	SPLINE SLEEVE 25x10	1	
23	0DM0-062014	LOCK WASHER 25	1	
24	0DM0-062013	SPLINE WASHER 25x42x1.6	1	
25	0DM0-062004	3RD GEAR, DRIVEN	1	33
26	0DM0-062012	BUSHING 25x28x10	1	
27	0DM0-062001	SECONDARYSHAFT	1	
28	0DM0-062011	WASHER 25x32x1	1	
29	0DM0-062007	6TH GEAR, DRIVEN	1	
30	0DM0-062008	WASHER 22x29x1	2	
31	0DM0-062009	BUSHING 22x25x11	1	
32	0DM0-062003	2ND GEAR, DRIVEN	1	36
33	0DM0-060001-00001	DRIVE SPROCKET	1	

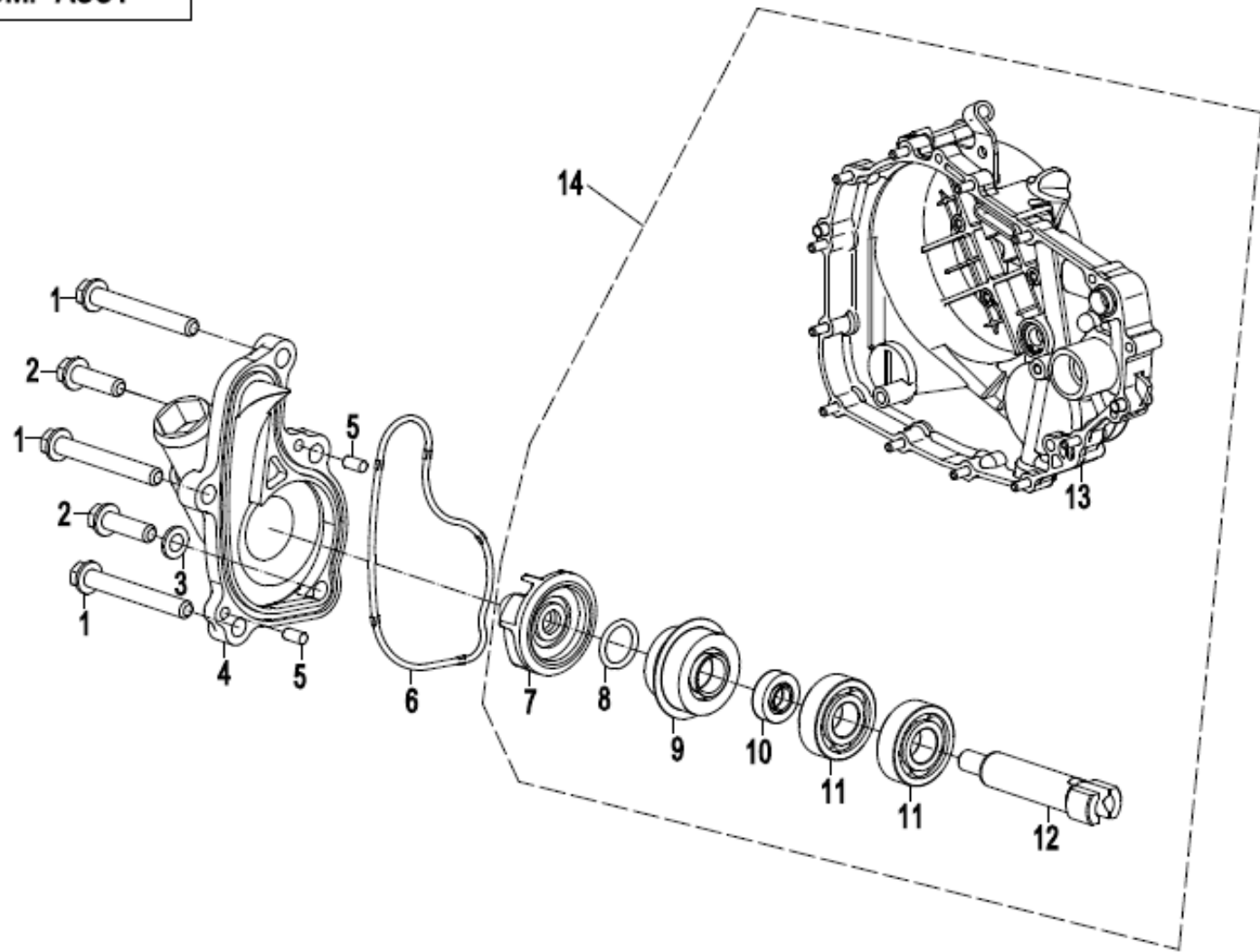
34	ODM0-060002	GUARD, SPROKET	1	
35	30004-060010850	BOLT M6x10	2	
36	ODM0-062000	COUNTERSHAFT ASSY	1	
37	ODM0-061000	MAIN SHAFT ASSY	1	

E07 机油泵总成 OIL PUMP



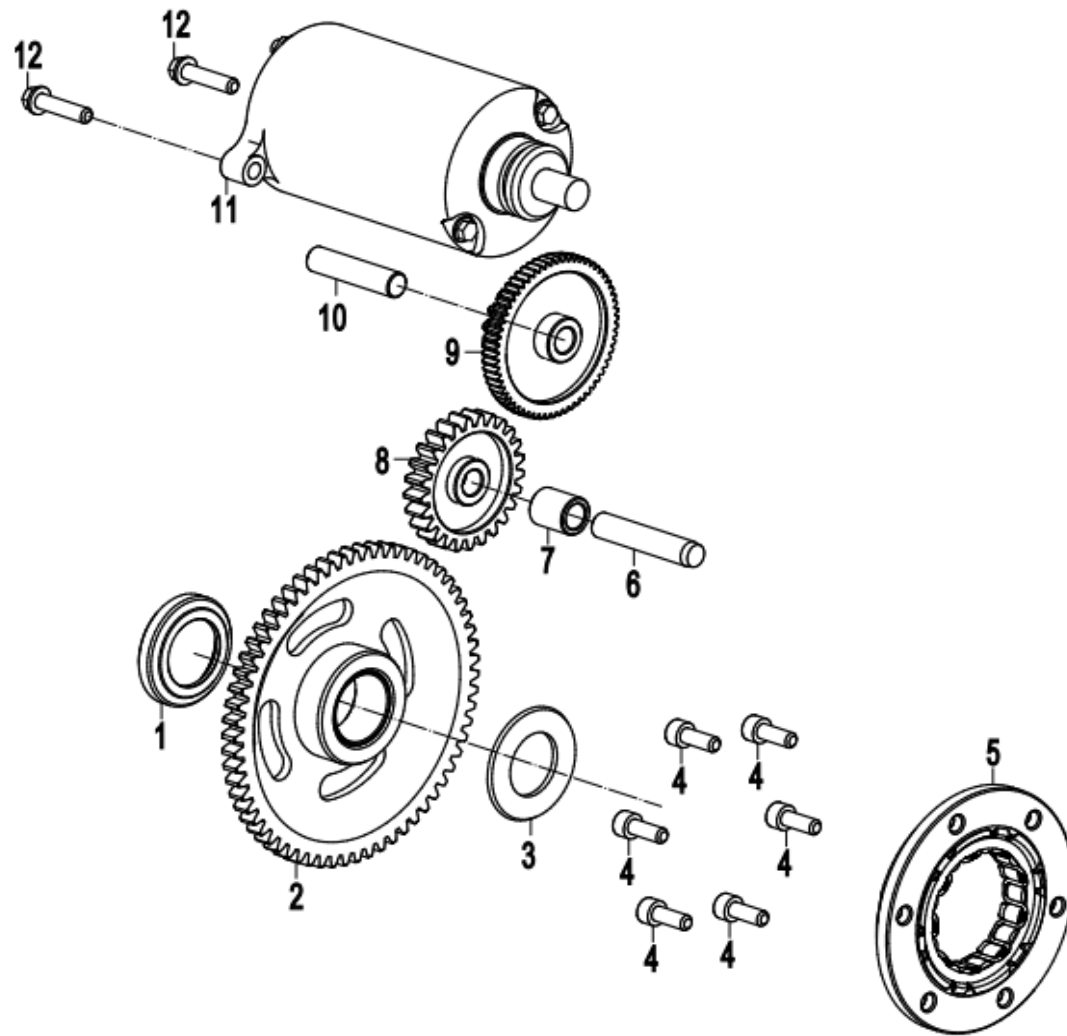
Item No	Parts Number	Parts Name(EN)	Qty	Specification
01	30802-00805	SPLIT WASHER	1	8
02	0800-011005	WASHER 10	2	10
03	ODM0-070003	GEAR, OIL PUMP	1	
04	30406-00300	ROLLER NEEDLE P3x21.8	1	
05	0010-090005-0010	BOLT M6x16	3	
06	ODM0-070002	COVER, OIL PUMP	1	
07	30406-00401	ROLLER NEEDLE P4x7.8	2	
08	ODM0-070001	SHAFT,OIL PUMP	1	
09	ODM0-070100	ROTOR ASSY, OIL PUMP	1	
10	30406-00304	ROLLER NEEDLE	1	

水泵总成 WATER PUMP ASSY



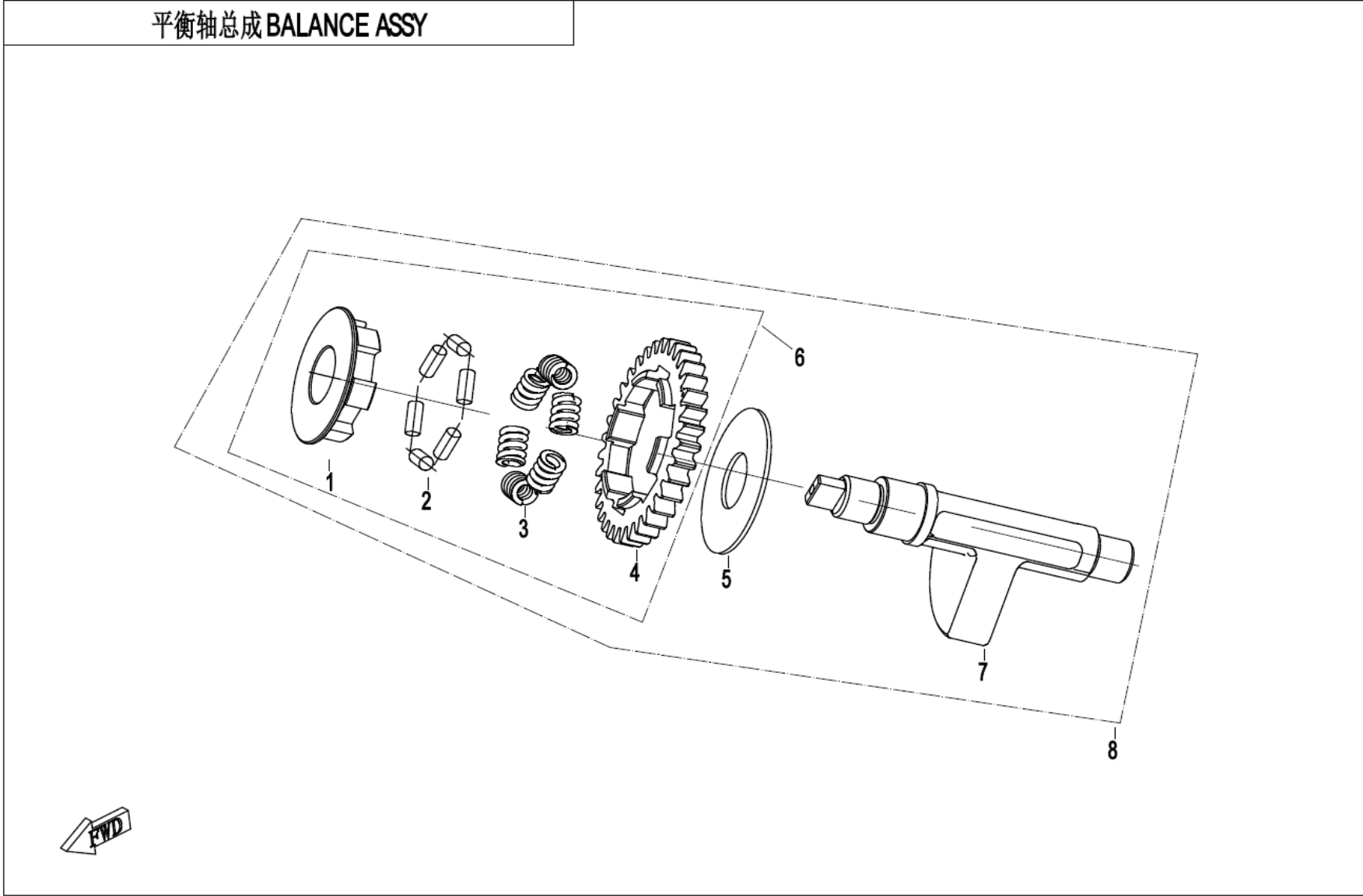
Item No	Parts Number	Parts Name(EN)	Qty	Specification
01	0180-013208-0010	BOLT M6x45	3	
02	0010-023010-0010	BOLT M6x20	2	
03	0010-060009	WASHER 6	1	
04	0DM0-080100-0HB01	WATER PUMP COVER	1	
05	30406-00401	ROLLER NEEDLE P4x7.8	2	
06	0DM0-080003	SEAL RING, WATER PUMP COVER	1	
07	0DM0-080002	IMPELLER, WATER PUMP	1	
08	01A0-013005	O-SEAL RING 13x2	1	
09	0JWA-081000	WATER SEAL ASSY	1	
10	0010-080009	OIL SEAL 12x20x5	1	
11	30400-01207	ROLLER BEARING	2	
12	0DM0-080001-00001	SHAFT, WATER PUMP	1	

起动系统STARTING SYSTEM



Item No	Parts Number	Parts Name(EN)	Qty	Specification
01	ODM0-090007	SPACER RING	1	
02	ODM0-092000-00001	GEAR ASSY, STARTING MOTOR	1	
03	ODM0-090001	WASHER 27x44x1	1	
04	30102-060016810	SCREW M6×16	6	
05	ODM0-091000	OVERRIDING CLUTCH	1	
06	0800-011202	SHAFT, BREATHER	1	
07	ODM0-090004	BUSHING, MIDDLE GEAR	1	
08	ODM0-090002-00001	STARTING GEAR	1	
09	ODM0-090006	DUAL GEAR	1	
10	ODM0-090005	AXLE, DUAL GEAR	1	
11	ODM0-093000	STARTING MOTOR	1	
12	0010-021017-0010	BOLT M6x25	2	

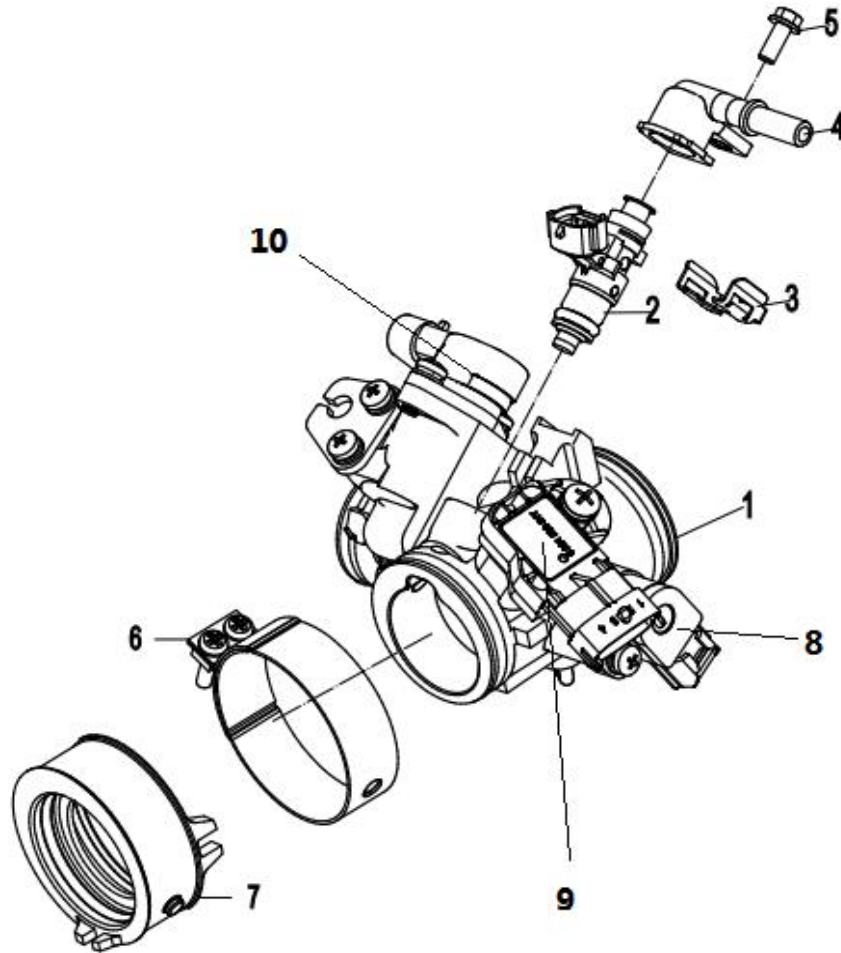
E16 平衡轴总成 BALANCER SHAFT



Item No	Parts Number	Parts Name(EN)	Qty	Specification
05	ODM0-160002	WASHER 20x5x1.5	1	
06	ODM0-162000-00020	DRIVEN GEAR ASSY, BALANCER SHAFT	1	
08	ODM0-160000-10020	BALANCER SHAFT ASSY	1	

E17-B 节气门体和喷油器(CF250-6使用) THROTTLE&INJECTOR (ONLY FOR CF250-6)

节气门体和喷油器/THROTTLE & INJECTOR



Item No	Parts Number	Parts Name(EN)	Qty	Specification
01	ODM#-170020-1101	THROTTLE BODY ASSY	1	
02	ODM0-171000	FUEL INJECTOR	1	
03	ODM0-173002	CIRCLIP	1	
04	ODM0-173001	INJECTOR CAP	1	
05	0700-012013-00001	BOLT M5x12	1	
06	ODM0-022300	CLAMP, CONNECTING PIPE	1	
07	ODM0-022006	CONNECTING PIPE, THROTTLE BODY	1	
08	0A80-173100	THROTTLE POSITION SENSOR	1	
09	0JY0-175000	T-MAP	1	
10	ODM0-173200-10000	STEPPER MOTOR	1	